

Owner Instructions
Bedienerhandbuch
Mode d'emploi
Bedieningshandleiding voor de gebruiker



NBV 190



Numatic Lithium polymer (Li-Po) Battery Powered
Numatic Lithium-Ionen-Akku (Li-Po)
Batterie Lithium-Polymère (Li-Po) Numatic
Numatic Lithium-Polymeer (Li-Po) batterij



Original Instructions - Warning! Read instructions before using the machine.
Warnhinweis - Lesen Sie vor Gebrauch der Maschine das Handbuch.
Attention - Lisez la notice avant d'utiliser la machine.
Waarschuwing - Lees deze instructies voor u de machine gebruikt



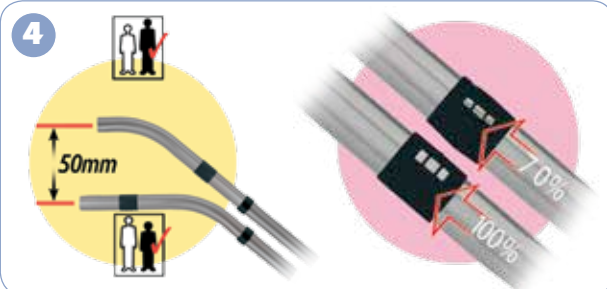
NBV 190 Kit - AA29E 607391



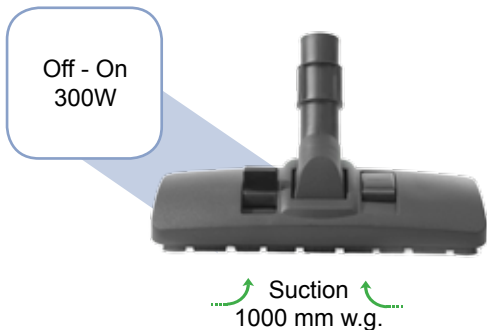
601142



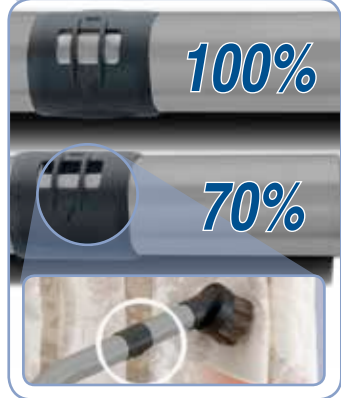
Assembly - Zusammenbau - Assemblage - Samenstellung



Using the Machine - Arbeiten mit der Maschine
Utilisation de la machine - De machine gebruiken



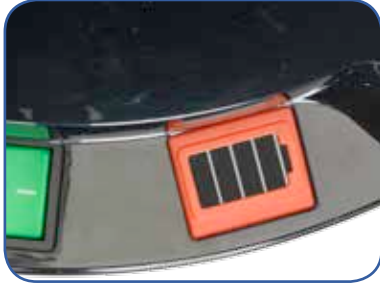
Using the Machine - Arbeiten mit der Maschine
Utilisation de la machine - De machine gebruiken



Cleaning the machine - Reinigung der Maschine
Nettoyage de la machine - De machine reinigen



Machine Charging - Laden des Akkus Charge de la machine - De machine opladen



Cleaning time
30 mins



=

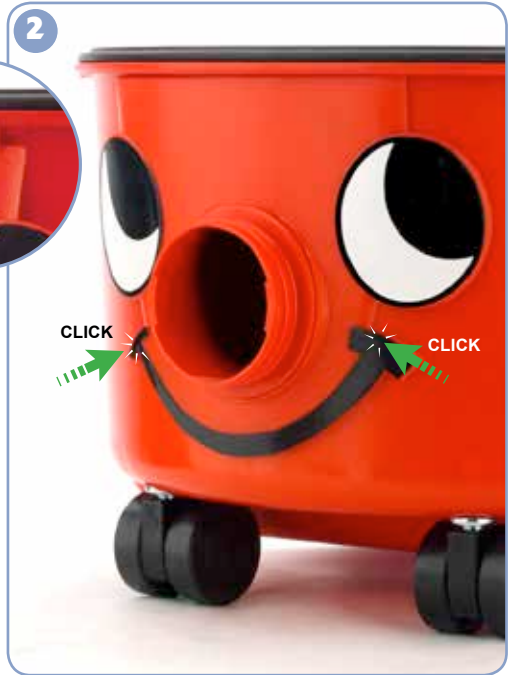


=



Charge time
3 1/2 hours MAX

Fitting the Face on

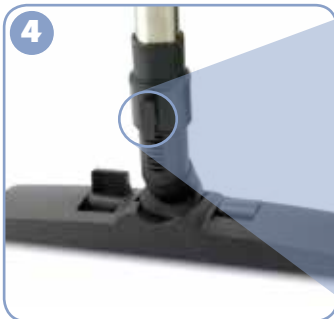


Removing the Face



Wand docking

Machine pictured is for demonstration purposes.



Rating Label

- 1 Voltage Frequency
- 2 Power rating
- 3 Weight (ready to use)
- 4 Company Name & Address
- 5 Machine Description
- 6 Machine yr/wk Serial number
- 7 WEEE Logo
- 8 CE Mark



PPE (personal protective equipment) That may be required for certain operations.



Ear Protection



Safety Footwear



Head Protection



Safety Gloves



Eye Protection



Protective Clothing



Dust / Allergens Protection



Hi Viz Jacket



Caution Floor Sign

NOTE: A risk assessment should be conducted to determine which PPE should be worn.

Safety Critical Components

Multi-Regional Charger (100 - 240V ~ 50/60Hz)

Li-Po Battery 5.2Ah

WEEE Legislation

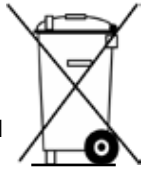
(Waste, Electrical and Electronic Equipment)

Vacuum cleaner, accessories and packaging should be sorted for environmental-Friendly recycling.

(Only for EU Countries)

Do not dispose of vacuum cleaner into household waste! According to the European Directive 2002 / 96 / EC on waste electrical and electronic equipment and its incorporation into national law.

Vacuum cleaners that are no longer suitable for use must be separately collected and sent for recovery in an environmental-friendly manner.



Failure to rectify the problem or in the event of a breakdown contact your Numatic dealer or the Numatic Technical helpline +44 (0)1460 269268

Daily:-

- Keep the machine clean, including hoses and tubes.
- Ensure the bag and filter are fitted.
- Regularly examine the charger.
- Check dust bag frequently.
- Check filters are clean.

Weekly - as daily and:-

- Check for any worn or damaged parts and replace immediately.
- Do not steam clean or pressure wash.

Batteries:-

- Always recharge the batteries after use.



Information for DRY USE Vacuum cleaners



WARNING

Ensure you read the instruction manual before using the machine.

Operators shall be adequately instructed on the use of these machines, as with all electrical equipment, care and attention must be exercised at all times during use, you must also make certain that routine and preventative maintenance is carried out periodically to ensure safe operation.

Failure to carry out maintenance as necessary, including the replacement of parts to the correct standard could render this equipment unsafe and the manufacturer can accept no responsibility in this respect.

This machine is for DRY USE only.

You must remove the battery from the machine BEFORE cleaning or maintenance and when replacing parts or converting the machine to another function.

This appliance is intended to be assembled, cleaned and maintained by an adult.

This machine is not suitable for the collection of biological hazards, hazardous or explosive dusts.

Contact your local distributor if you require a machine capable of performing these tasks.

The machine must not be used by persons with reduced physical, sensory or mental capabilities, or lack of experience or knowledge, unless they have been given supervision or instruction.

This machine is not a toy; children shall not play with this machine.



CAUTION

This machine must not be stored outside, or used in wet environments, or to collect wet materials.

The vacuum cleaner should be stored in a dry place and is for indoor use only.

You must ensure that the filtration system fitted to the machine is suitable for the material being collected.

NOTES

This product complies with the requirements of IEC 60335 - 2.69.

This machine is suitable for commercial use, for example in hotels, schools, hospitals, factories, shops and offices for other than normal housekeeping purposes.

If the vacuum cleaner stops working, remove the battery from the machine before investigating where the fault lies.

If the vacuum cleaner has a blockage, switch off, remove the battery from the appliance, and inspect the floor tool, wands and hose for debris. If the floor tool, wands and hose are clear, replace the dust bag and clean the filter.

This machine is equipped with a thermal cut-out to protect the motor and other vital machine parts from overheating.

Should the machine cut-out, it will automatically reset when cooled.

The vacuum cleaner should be inspected after use for damage.

The size and quality of the dust bag and filters affect the machine efficiency.

Use of non-original dust bags or non-original filters can cause restricted air flow which may lead to machine overload.



DO

- Keep your machine clean.
- Fully charge battery before first use.
- Keep filters clean.
- Use filter bags, they will enhance performance and help keep machine clean.
- Use a Numatic Original filter bag under fine dust conditions.
- Keep hoses and tubes clear.
- Replace any worn or damaged parts immediately.
- Change dust bag frequently.
- Keep diffuser filter (where fitted) clean.
- **Remove battery from machine when not in use.**



- Use to suck up hot ashes, lighted cigarette ends or flammable gases.
- Use to vacuum hazardous dust, if you require a machine capable of performing this task, contact your local distributor.
- Use steam cleaners, pressure washers or immerse in water to clean the machine
- Attempt machine maintenance or cleaning unless the battery has been removed from the supply outlet.
- Use in a wet environment or to collect wet materials.
- Store your machine in wet conditions.

Important Warnings – Batteries

Read all the warnings before using the battery.

- The battery is equipped with electronic thermal protection, refer to the **Temperature Range Table** below for recommended operating conditions.
- Do not store batteries along with metal objects due to risk of short circuit.
- This cleaner uses Numatic Lithium Polymer (Li-Po) Batteries. Used batteries should be disposed of safely and placed in a sealed plastic bag and then handled according to all locally approved precautions and environmental regulations.
 - Do not crush.
 - Do not dismantle.
 - Do not heat or incinerate the batteries.
 - Do not short-circuit the batteries.
 - Do not immerse in any liquid.
 - Do not charge below 0°C.
 - Do not charge damaged batteries.
 - Use only original NUMATIC batteries, when replacement batteries are required.
 - If the batteries are leaking, return batteries to a disposal plant or a similar local facility.
 - The batteries must be removed from the appliance before the appliance is scrapped.
 - The battery is to be disposed of safely and in accordance with all locally approved precautions and environmental regulations.

Temperature Range Table

Charging	5°C~40°C
Discharging	5°C~45°C
Storage	
< 1 month	5°C~40°C
< 6 months	5°C~35°C



Caution



Do not immerse or allow to get wet



Do not incinerate

If the battery is found to be faulty at any time, contact Numatic International, or your supplier for information on disposal.

Care and Disposal of Li Ion Batteries



DEFECTIVE BATTERIES

ATTENTION

Please follow all safety guidelines set out.

A defective battery should not be stored inside buildings on any account.



1. If a customer wishes to return a battery to a supplier, then collection of the battery must be arranged by the supplier, however, ***Faulty batteries must not be returned through the postal system or by courier.***
 2. If on return to a supplier, OR at a customer base, a suspected defective battery shows any signs of impact damage, distortion, blistering, loose parts or leakage then on no account should it be offered for condition checking. It must be considered defective and the procedures described from item 8 below should be followed.
 3. If, on return to a supplier, OR at a customer base, a suspected defective battery, that shows No signs of impact damage, distortion, blistering, loose parts or leakage, may be offered for condition checking with an appropriate battery condition checking device operated by a competent person.
 4. If checking shows the battery to be defective then the procedures described from item 8 below should be followed.
 5. If on checking the battery is found to be operational then a single recharge cycle under observation can be attempted with the appropriate Numatic charger.
 6. If the battery recharges correctly on this single recharge cycle then it can be deemed a good battery.
 7. If the battery fails to recharge correctly on this single recharge cycle then it must be deemed a defective battery and the procedures described from item 8 below should be followed. ***On no account must any further attempt to recharge be made.***
- A defective battery should not be stored inside buildings on any account.***
8. The defective battery should be discharged by placing it in a container of salt water located in a well-ventilated area. This container should contain 25 litres minimum of saline water at a concentration of 15gr common salt / litre of water. The container should have a closed locked lid but should not be sealed. The battery should be left fully immersed in the water to a depth of at least 100mm for at least 2 weeks. The water should be disposed of as hazardous waste when the discharge is complete.
 9. The defective discharged battery can then be stored in a locked battery waste container which should be plastic or plastic lined and placed away from buildings and clearly signed as a defective battery container with appropriate warnings.
 10. The batteries should then be sent for waste disposal according with your country's waste regulations.



An example of a waste battery storage bin well away from buildings.



ATTENTION

Please follow all safety guidelines set out.



Good batteries should be stored in a protected area away from sources of direct heat and sunlight and should be kept dry. The temperature should not exceed 50 °C but preferably not be above 35 °C to maintain good battery performance.



An example of a well protected area with a cage to protect against accidental impact damage and with the batteries stored in a Protective container to protect from heat, impact and accidental spillage of liquids.

Care when handling / moving with forklift trucks or pallet trucks is needed at all times to avoid any physical damage to the batteries.

If a good battery at any time is mishandled or subjected to any conditions that may damage it, as described in the battery Instruction manual supplied, it must then be considered as defective and procedures followed from Item 2 of this document overleaf.

Important Warnings – Charger

Read all these warnings before using the charger.

- **CAUTION!** To reduce the risk of injury, charge only Numatic Lithium Polymer (Li-Po) Batteries.
Other types of batteries may burst causing personal injury and damage.
- Check the mains cord regularly for any sign of damage.
- Do not use damaged devices.
- If the mains cord of the charger is damaged, it must be replaced by an original NUMATIC INTERNATIONAL cord available from the manufacturer or service agent.
- Protect the charger against moisture and store it in a dry place.
- Do not use the charger if it is wet.
- Do not charge below 0°C.
- The mains voltage available must correspond to the voltage stated on the rating plate of the charger.
- Do not operate charger in explosive environment.
- Do not carry the charger by holding the mains cord.
- Do not handle the electrical cord or plug, with wet hands.
- Do not unplug by pulling on cord. To unplug, grasp the plug, not the cord.
- Do not cover the charger.
- Do not open the charger. Repairs shall be done only by authorised personnel.
- Do not charge damaged batteries.
- Do only charge dry batteries.
- Do not charge non-rechargeable batteries in this charger.
- The appliance is not intended for use by children or infirmed persons without supervision.

The battery included in this product must only be charged by the Numatic Charger and docking system supplied with the product and in NO circumstances should an alternative non Numatic charger be used as there is risk severe damage and fire could result.

Instructions for Use – Charging Batteries

The charger is intended for use only on flat surfaces, place horizontally on floor or work surface. The charger is intended for use with the detachable power cord supplied, the power unit is capable of operating at different voltages without user adjustment.

If the charger is damaged or does not charge anymore, please return to service centre.

Charging Procedure:

1. Ensure the battery is fully inserted into the charger.
2. Fit the mains power cord to charger and suitable power supply.
3. The LED should show RED to indicate charging.
4. Once fully charged the LED will show GREEN.
5. If power is supplied to the charger with no battery fitted the LED will show GREEN to indicate STAND-BY status.

Hazards

Health Hazards (Acute & Chronic).

The chemicals used in the battery are in a sealed container.

Risk of exposure only occurs if the battery is abused or damaged.

Contact of electrolyte and lithium with skin and eyes should be avoided.

Signs & Symptoms of Exposure.

A damaged or leaking battery can cause chemical burns upon contact.

First Aid Measures

If exposed to any of the Chemicals mentioned in the Hazards section please follow the procedures below:

Eyes.

Flush eyes with plenty of water for at least 15 minutes, occasionally lifting the upper and lower eyelid.

Seek medical attention.

Skin.

Remove contaminated clothing and rinse skin with plenty of water or shower for 15 minutes.

Seek medical attention.

Inhalation.

Vacate from site of exposure to fresh air immediately. Use oxygen if available.

Ingestion.

Give at least two glasses of milk or water. Induce vomiting unless patient is unconscious.

Seek medical attention.

Note:

Inhalation, skin contact and eye contact are possible if the battery is damaged.

Exposure to internal contents, the corrosive fumes will be very irritating to skin, eyes and mucous membranes.

Overexposure can cause symptoms of non-fibroid lung injury and membrane irritation.

Lithium Polymer Battery Warranty.

Numatic International will guarantee your Numatic Lithium Polymer battery for 550 recharging cycles, providing the cycles have been carried out to the manufacturer's specifications and requirements.

Failure to use the correct Numatic charger will void your warranty.



**Good Batteries... Good Chargers...
Good Care will ensure Good Results.**

Leistungsschild



- 1 Name und Anschrift des Unternehmens
- 2 Beschreibung der Maschine
- 3 Spannung / Frequenz
- 4 Nennleistung
- 5 (Nutz-) Gewicht
- 6 WEEE-Logo
- 7 CE-Kennzeichnung
- 8 Seriennummer der Maschine



Sicherheitsrelevante Bestandteile

Universal-Ladegerät

(100 – 240V ~ 50/60 Hz)

Lithium-Ionen-Akku, 5,2 Ah

PSA (Persönliche Schutzausrüstung) kann für bestimmte Verwendung des Gerätes erforderlich sein.



Ohrschutz



Sicherheitsschuhe



Kopfschutz



Sicherheitshandschuhe



Augenschutz



Schutzkleidung



Staub
Allergieschutz



Warnjacke



Hinweis:

Eine Risikoauswertung ist vom Betreiber des Gerätes anhand der örtlichen Gegebenheiten vorzunehmen, um die erforderliche Schutzausrüstung festzulegen.

Hinweisschild „Achtung Rutschgefahr“

WEEE-Norm

(Elektro- und Elektronik-Altgeräte)

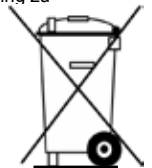
Staubsauger, Zubehör und Verpackung müssen getrennt entsorgt werden, um ein umweltfreundliches Recycling zu ermöglichen.

(Gilt nur für EU-Länder.)

Entsorgen Sie Staubsauger nicht im Hausmüll! Die Entsorgung muss entsprechend der.

WEEE-Richtlinie 2002/96/EG über Elektro- und Elektronik-Altgeräte und ihrer jeweiligen Umsetzung in nationales Recht erfolgen.

Staubsauger oder Batterien, die nicht mehr verwendet werden können, sind getrennt zu sammeln und zur umweltfreundlichen Wiederverwertung abzugeben.



Täglich

Reinigen Sie die Maschine einschließlich der Schläuche und Rohre.

Vergewissern Sie sich, dass Beutel und Filter eingesetzt sind.

Untersuchen Sie das Netzkabel regelmäßig.

Wechseln Sie den Staubbeutel regelmäßig.

Überprüfen Sie, ob die Filter sauber sind.

Wöchentlich (zusätzlich zu den täglichen Aufgaben)

Prüfen Sie, ob Teile abgenutzt oder beschädigt sind, und ersetzen Sie diese sofort.

Nicht unter Druck (d. h. mit Dampfstrahlgerät usw.) reinigen.

Batterien

Laden Sie die Batterien nach jedem Einsatz wieder auf.





WARNUNG

Lesen Sie unbedingt die Anleitung vor Inbetriebnahme der Maschine sorgfältig durch.

Benutzer müssen gründlich in den Gebrauch dieser Geräte eingewiesen werden. Wie bei allen elektrischen Geräten ist während der Benutzung jederzeit Vorsicht und Aufmerksamkeit geboten. Darüber hinaus muss zur Gewährleistung eines sicheren Betriebs in regelmäßigen Abständen eine laufende und vorbeugende Wartung durchgeführt werden.

Bei Unterlassung notwendiger Wartungsarbeiten, einschließlich des Ersetzens von fehlerhaften Teilen durch korrekte Standardteile, kann die Sicherheit der Maschine beeinträchtigt werden, und der Hersteller kann in dieser Hinsicht keine Verantwortung oder Haftung übernehmen.

Das Gerät ist ausschließlich als TROCKENSAUGER zu verwenden.

Bei Reinigung und Wartung, beim Ersetzen von Teilen oder beim Umschalten der Maschine auf eine andere Funktion müssen Sie die Batterie aus der Maschine entfernen.

Zusammenbau, Reinigung und Wartung dieses Geräts sind von einer erwachsenen Person vorzunehmen.

Dieses Gerät ist nicht für die Aufnahme von biologischen Gefahrenstoffen und gefährlichem oder explosivem Staub geeignet.

Wenden Sie sich an Ihren Händler vor Ort, wenn Sie ein Gerät benötigen, das für solche Aufgaben geeignet ist.

Dieses Gerät darf ohne Aufsicht oder spezielle Unterweisung nicht von Personen mit eingeschränkten körperlichen, sensorischen oder geistigen Fähigkeiten oder fehlender Erfahrung bzw. unzureichendem Wissen benutzt werden.

Dieses Gerät ist kein Spielzeug und darf von Kindern nicht benutzt werden.



VORSICHT

Das Gerät darf nicht im Freien gelagert bzw. in einer feuchten Umgebung oder zur Aufnahme feuchter Materialien verwendet werden.

Der Staubsauger muss an einem trockenen Platz abgestellt werden. Er ist nur für den Einsatz im Innenbereich ausgelegt.

Es ist darauf zu achten, dass das im Gerät verwendete Filtersystem für das aufgenommene Material geeignet ist.

NOTES

Dieses Produkt entspricht den Anforderungen der IEC-Norm 60335-2.69.

Diese Maschine ist neben den üblichen Anwendungen im Haushalt auch für den gewerblichen Einsatz z. B. in Hotels, Schulen, Krankenhäusern, Fabriken, Läden und Büros geeignet.

Wenn der Staubsauger aufhört zu saugen, nehmen Sie die Batterie aus der Maschine heraus, bevor Sie nach der Fehlerursache suchen.

Wenn der Staubsauger blockiert ist, schalten Sie ihn aus, nehmen Sie die Batterie heraus und stellen Sie fest, ob die Saugdüse, das Saugrohr oder der Schlauch verschmutzt sind. Wenn Saugdüse, Saugrohr und Schlauch keine Verschmutzungen aufweisen, ersetzen Sie den Staubbeutel, und reinigen Sie den Filter.

Diese Maschine ist mit einem Thermo-Schutzschalter ausgestattet, der den Motor und andere wichtige Teile der Maschine vor Überhitzung schützt.

Nach einer Abschaltung der Maschine durch den Schutzschalter wird sie automatisch zurückgesetzt, sobald sie abgekühlt ist.

Der Staubsauger ist nach dem Gebrauch auf Beschädigungen zu überprüfen.

Die Größe und Qualität von Staubbeutel und Filtern beeinflussen die Leistungsfähigkeit der Maschine.

Wenn Sie nicht die Original Staubbeutel oder Filter verwenden, kann dadurch der Luftstrom eingeschränkt und infolgedessen die Anlage überlastet werden.



WAS ZU BEACHTEN IST: Halten Sie das Gerät sauber.
Laden Sie die Batterie vor dem ersten Gebrauch vollständig auf.

- Halten Sie die Filter sauber.
- Verwenden Sie Filterbeutel. Sie verbessern die Leistung und helfen, das Gerät sauber zu halten.
- Verwenden Sie bei Feinstaub Einsatz originale Numatic-Filterbeutel.
- Halten Sie Schläuche und Rohre sauber.
- Ersetzen Sie abgenutzte oder beschädigte Teile unverzüglich.
- Wechseln Sie den Staubbeutel regelmäßig.
- Halten Sie den Diffusor-Filter sauber (falls vorhanden).
- **Nehmen Sie die Batterie aus der Maschine heraus, wenn Sie nicht damit arbeiten.**



WAS ZU UNTERLASSEN IST

- Saugen Sie keine heiße Asche, glimmende Zigarettenstummel oder entzündliche Gase auf.
- Wenn Sie ein Gerät benötigen, das zum Aufsaugen von explosionsfähigem Staub geeignet ist, wenden Sie sich an Ihren Händler vor Ort.
- Verwenden Sie keine Dampfreiniger oder Druckwäscher zum Reinigen des Geräts, und tauchen Sie es niemals in Wasser ein.
- Führen Sie keine Wartungs- oder Reinigungsarbeiten am Gerät durch, solange der Netzstecker noch in der Steckdose ist.
- Verwenden Sie das Gerät nicht in feuchten Umgebungen bzw. zur Aufnahme feuchter Materialien.
- Lagern Sie das Gerät nicht in einer feuchten Umgebung.

Wichtig: Warnungen zu den Batterien

Lesen Sie alle Warnungen, bevor Sie die Batterie einsetzen.

- Die Batterie ist mit einem elektronischen Thermo-Schutzschalter versehen. Empfehlungen zu den Betriebsbedingungen finden Sie in der **Tabelle Temperaturbereich** weiter unten.
 - Lagern Sie keine Batterien zusammen mit Metallgegenständen – Kurzschlussgefahr!
 - Diese Reinigungsmaschine funktioniert mit Numatic Lithium-Ionen-Akku. Gebrauchte Batterien sollten in einem verschlossenen Plastikbeutel gemäß den örtlichen Sicherheits- und Umweltschutzvorschriften entsorgt werden.
 - Nicht zusammendrücken.
 - Nicht zerlegen.
 - Batterien nicht erhitzen oder verbrennen.
 - Batterien nicht kurzschließen.
 - Nicht in Flüssigkeit eintauchen.
 - Nicht bei unter 0° Celsius aufladen.
 - Beschädigte Batterien nicht aufladen.
 - Verwenden Sie nur Original NUMATIC-Batterien, wenn Sie Ersatzbatterien benötigen.
 - Wenn die Batterien auslaufen, entsorgen Sie diese bei der örtlichen Sondermülldeponie oder einer ähnlichen Einrichtung.
 - Bevor ein Gerät ausgerangiert wird, müssen die Batterien daraus entfernt werden.
- Die Batterie muss sicher und in Übereinstimmung mit den örtlichen Sicherheits- und Umweltschutzvorschriften entsorgt werden.

Tabelle Temperaturbereich

Aufladen	5~40 0C
Entladen	5~45 0C
Lagerung	
< 1 Monat	5~40 0C
< 6 Monate	5~35 0C



Vorsicht



Kontakt mit Flüssigkeiten vermeiden.



Nicht verbrennen.

Sollte die Batterie zu einem beliebigen Zeitpunkt schadhaft werden, können Sie bei Numatic International oder bei Ihrem Händler Informationen zur Entsorgung einholen.



SCHADHAFTE BATTERIEN



ACHTUNG

**Befolgen Sie bitte alle festgelegten Sicherheitsrichtlinien.
Schadhafte Batterien dürfen auf keinen Fall in Innenräumen gelagert werden.**



1. Will der Kunde eine Batterie an einen Lieferanten zurücksenden, so muss das Abholen der Batterie vom Lieferanten organisiert werden. **Schadhafte Batterien dürfen nicht mit der Post oder anderen Kurierdiensten zurückgesendet werden.**
2. Zeigt eine als schadhaft verdächtige Batterie nach Rücksendung zum Lieferanten ODER an einem Standort des Kunden Anzeichen von Schädigungen, wie Stoßspuren, Verbiegungen, Blasenbildung, lose Teile oder Lecks, so darf sie auf keinen Fall zur Zustandsüberprüfung vorgelegt werden. Sie ist als schadhaft anzusehen, weshalb die unter nachstehendem Punkt 8 beschriebenen Verfahren durchzuführen sind.
3. Zeigt eine als schadhaft verdächtige Batterie nach Rücksendung zum Lieferanten ODER an einem Standort des Kunden keine Anzeichen von Schädigungen, wie Stoßspuren, Verbiegungen, Blasenbildung, lose Teile oder Lecks, so kann sie zur Überprüfung ihres Zustands vorgelegt werden, welche mittels eines von einer fachkundigen Personen betriebenen geeigneten Batterieprüfgeräts erfolgen muss.
4. Stellt sich bei der Prüfung heraus, dass die Batterie schadhaft ist, so sind die unter dem nachstehendem Punkt 8 beschriebenen Verfahren durchzuführen.
5. Wird die Batterie bei der Prüfung als betriebsfähig erkannt, so kann unter Beobachtung ein einziger Ladezyklus mit dem geeigneten Numatic Ladegerät versucht werden.
6. Wird die Batterie bei diesem Ladezyklus richtig geladen, so kann sie als gut betrachtet werden.
7. Wird die Batterie bei dem einzigen Ladezyklus nicht richtig geladen, so ist sie als schadhaft anzusehen, wonach die unter nachstehendem Punkt 8 beschriebenen Verfahren durchzuführen sind.
Auf keinen Fall dürfen weitere Ladeversuche unternommen werden.

Schadhafte Batterien dürfen auf keinen Fall in Innenräumen gelagert werden.

8. Defekte Batterien sollten, bis zur fachgerechten Entsorgung, in einem Salzwasser gefüllten Behälter in einem gut belüfteten Bereich aufbewahrt werden! Dieser Behälter muss mindestens 25 Liter Salzwasser enthalten, dessen Konzentration einer Lösung von 15 g gewöhnlichem Salz in einem Liter Wasser entsprechen sollte. Der Behälter muss mit einem geschlossenen verriegelten Deckel abgedeckt, jedoch nicht abgedichtet sein. Die Batterie muss vollständig, mindestens 100 mm unter dem Wasserspiegel eingetaucht, mindestens 2 Wochen lang im Salzwasser gelassen werden. Nach vollständigem Entladen ist das Wasser als gefährlicher Abfall zu entsorgen.
9. Die schadhafte Batterie kann dann in einem verriegelten Batterieabfall-Behälter aufbewahrt werden. Dieser Behälter sollte aus Kunststoff oder mit Kunststoff beschichtet sein und von Gebäuden entfernt und, mittels geeigneter Warnschilder als Batterieabfälle enthaltend gekennzeichnet, abgestellt werden.
10. Die Batterien sollten dann unter Befolgung der Abfallvorschriften des jeweiligen Landes an eine Abfallannahmestelle abgeliefert werden.



SICHERE LAGERUNG GUTER BATTERIEN



ACHTUNG

Befolgen Sie bitte alle festgelegten Sicherheitsrichtlinien.



Die Batterien sollten in einem geschützten Bereich fern von direkter Hitze und Sonnenlicht gelagert werden und müssen trocken gehalten werden.

Die Temperatur sollte 50 ° C nicht überschreiten, aber vorzugsweise nicht über 35 ° C sein, um die gut Leistung zu erhalten.



Beispiel eines gut geschützten Bereichs mit gegen Stöße schützender Gittereinhausung und Aufbewahrung der Batterien in einem gegen Wärme, Stöße und Flüssigkeitsspritzer schützenden Behälter.

Bei Handhabung oder Transport von Batterien mit Gabelstaplern oder Palettenhubwagen immer sorgsam vorgehen um Beschädigungen der Batterien zu vermeiden.

Wird eine gute Batterie schlecht behandelt oder in der mitgelieferten Batterieanleitung beschriebenen gefährdenden Bedingungen unterworfen, bei denen sie beschädigt werden könnte, so ist diese Batterie als schadhaft anzusehen und den auf der anderen Seite des vorliegenden Dokuments unter Punkt 2 beschriebenen Verfahren zu unterziehen.

Wichtige Warnungen zum Ladegerät

Lesen Sie all diese Warnungen, bevor Sie das Ladegerät verwenden.

- **VORSICHT!** Zur Verringerung der Verletzungsgefahr laden Sie nur Numatic Lithium-Ionen-Akkus auf.
 - Andere Batterietypen können explodieren und Verletzungen sowie Sachschäden hervorrufen.
 - Überprüfen Sie das Netzkabel regelmäßig auf mögliche Schäden.
 - Keine beschädigten Geräte verwenden.
 - Ist das Netzkabel des Ladegeräts beschädigt, muss es durch ein Original NUMATIC-Kabel ersetzt werden, das Sie beim Hersteller oder einem seiner Vertreter anfordern können.
 - Schützen Sie das Ladegerät vor Feuchtigkeit, und lagern Sie es an einem trockenen Ort.
 - Verwenden Sie das Ladegerät nicht, wenn es nass ist.
 - Nicht bei unter 0°C aufladen.
 - Die verfügbare Netzspannung der Steckdose muss den Vorgaben laut Typenschild des Ladegeräts entsprechen.
 - Betreiben Sie das Ladegerät nicht in einer explosionsgefährdeten Umgebung.
 - Tragen Sie das Ladegerät nicht am Netzkabel.
 - Fassen Sie Stromkabel und -stecker nicht mit nassen Händen an.
 - Ziehen Sie den Stecker nicht am Kabel aus der Steckdose heraus. Greifen Sie den Stecker, um ihn aus der Steckdose zu ziehen, nicht das Kabel.
 - Decken Sie das Ladegerät nicht zu.
 - Öffnen Sie das Ladegerät nicht. Reparaturen dürfen nur von befugten Personen durchgeführt werden.
 - Beschädigte Batterien nicht aufladen.
 - Laden Sie nur trockene Batterien auf.
 - Sie dürfen keine nicht wiederaufladbaren Batterien an dieses Ladegerät anschließen.
 - Dieses Gerät darf nicht von Kindern oder Behinderten ohne Aufsicht benutzt werden.
- Achtung: Die in diesem Produkt enthaltene Batterie(n) dürfen nur mit dem mitgelieferten Numatic Ladegerät und unter KEINEN Umständen mit einem anderen nicht Numatic-Ladegerät geladen werden, da die Gefahr von schweren Schäden und Brandgefahr besteht.

Bedienungsanleitung zum Aufladen der Batterien

Das Ladegerät ist ausschließlich für den Gebrauch auf ebenem Boden vorgesehen und muss horizontal auf dem Boden bzw. der Unterlage liegen. Das Ladegerät ist für den Gebrauch mit dem mitgelieferten, abnehmbaren Netzkabel vorgesehen.

Das Netzteil verträgt unterschiedliche Spannungen und muss nicht manuell angepasst werden. Wenn das Ladegerät beschädigt ist oder nicht mehr lädt, schicken Sie es an den Kundendienst.

Ladevorgang:

1. Achten Sie darauf, dass die Batterie vollständig in das Ladegerät eingelegt ist.
2. Schließen Sie das Netzkabel am Ladegerät und an einer geeigneten Steckdose an.
3. Die LED leuchtet normalerweise in Rot, wenn geladen wird.
4. Sobald die Batterie vollständig aufgeladen ist, leuchtet die LED in Grün.
5. Ist das Ladegerät an der Steckdose angeschlossen und keine Batterie eingelegt, leuchtet die LED in Grün und deutet damit den Modus STANDBY an.

Gefahren

Gesundheitsrisiken (akut und chronisch).

Die in der Batterie verwendeten Chemikalien befinden sich in einem verschweißten Behälter.

Die Gefahr einer Exposition besteht nur, wenn die Batterie zweckentfremdet oder beschädigt wird.

Jeder Kontakt von Elektrolyt und Lithium mit Haut und Augen ist zu vermeiden.

Anzeichen und Symptome einer Exposition.

Eine beschädigte oder undichte Batterie kann bei Berührung chemische Verbrennungen verursachen.

Erste-Hilfe-Maßnahmen

Bei Kontakt mit irgendeiner der im Abschnitt „Gefahren“ erwähnten Chemikalien verfahren Sie wie folgt:

Augen

Spülen Sie die Augen mindestens 15 Minuten lang mit reichlich Wasser, wobei Sie hin und wieder das obere und untere Augenlid öffnen und schließen.

Holen Sie sich ärztlichen Rat ein!

Haut

Legen Sie verunreinigte Kleidungsstücke ab, und spülen oder duschen Sie die Haut 15 Minuten lang mit reichlich Wasser ab.

Holen Sie sich ärztlichen Rat ein!

Einatmen

Verlassen Sie sofort den Ort der Exposition, und begeben Sie sich an die frische Luft. Verwenden Sie eine Sauerstoffmaske, falls vorhanden.

Verschlucken

Trinken Sie mindestens zwei Glas Milch oder Wasser. Bringen Sie den Betroffenen dazu, sich zu übergeben (nicht bei Bewusstlosen anwenden).

Holen Sie sich ärztlichen Rat ein!

Hinweis:

Das Einatmen der Giftstoffe sowie der Kontakt mit Haut und Augen kann durch eine beschädigte Batterie verursacht werden.

Bei Exposition mit den Inhalten der Batterie wirken die korrosiven Dämpfe stark reizend auf Haut, Augen und Schleimhäute.

Eine übermäßige Exposition kann zu Symptomen wie nicht fibrösen Lungenschäden und Schleimhautreizungen führen.

Lithium Polymer Batterie Garantie

Wenn die Batterie nach der Anleitung des Herstellers korrekt aufgeladen wurde, garantiert Numatic International 550 Wiederaufladungen der Numatic Lithium Polymer Batterie.

Bei einem möglichen Ausfall, durch eine nicht korrekte Anwendung der Numatic Ladegeräte, ist die Garantie ungültig.



**Gute Batterien ... Gutes Ladegerät ...
Gute Pflege – das Rezept für gute Ergebnisse.**

Plaque signalétique



- 1 Nom et adresse de la société
- 2 Description de la machine
- 3 Tension et fréquence
- 4 Puissance nominale
- 5 Poids (prête à l'emploi)
- 6 Logo DEEE
- 7 Marquage CE
- 8 Numéro de série de la machine



Composants critiques pour la sécurité.

Chargeur international

(100 - 240V ~ 50/60 Hz)

Batterie Lithium-Polymère (Li-Po) Numatic 5,2 Ah

EPI (Equipelement de Protection Individuel) Recommandés pour certaines applications :



Protections
sonores



Chaussures
de
sécurité



Casque
de
protection



Gants
de
protection



Lunettes
de
protection



Vêtements
de
sécurité



Protection contre
poussières
/ allergènes



Gilet de haute
visibilité



Panneau de
signalisation
au sol

Note :

Une évaluation des risques devra être menée pour définir les obligations d'utilisation des EPI.

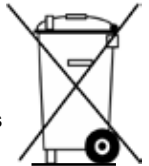
Législation DEEE

(Déchets d'équipements électriques et électroniques)

L'aspirateur, ses accessoires et son emballage doivent être triés pour un recyclage écologique.

(Pays de l'UE uniquement).

Ne jetez pas l'aspirateur avec les ordures ménagères ! Conformément à la Directive européenne 2002/96/CE concernant l'élimination des équipements électriques et électroniques et à sa transposition en droit national, les aspirateurs ou les batteries qui ne sont plus utilisables doivent faire l'objet d'une collecte sélective et être traités d'une manière respectueuse de l'environnement.



Tous les jours :

Maintenez votre machine propre, y compris les flexibles et tubes.

Assurez-vous que le sac et le filtre sont montés.

Examinez régulièrement le chargeur.

Vérifiez régulièrement le sac à poussière.

Vérifiez que les filtres sont propres.

Chaque semaine et quotidiennement :

Vérifiez la présence de pièces usées ou endommagées et remplacez-les immédiatement.

Ne nettoyez pas à la vapeur ou sous haute pression.

Batteries:

Rechargez toujours les batteries après utilisation.



Assurez-vous de bien lire le mode d'emploi avant d'utiliser la machine.



ATTENTION

Les opérateurs doivent avoir reçu les instructions adéquates concernant l'utilisation de ces machines, car comme avec tout matériel électrique, ils doivent être attentifs et prendre les précautions nécessaires à tout moment. Vous devez également veiller à ce que l'entretien préventif et de routine soit effectué régulièrement pour que les machines fonctionnent dans les conditions de sécurité voulues.

Si l'entretien nécessaire n'est pas effectué et si l'on ne remplace pas les pièces à changer par des pièces à la bonne norme, l'équipement pourrait devenir dangereux et le fabricant ne pourra accepter aucune responsabilité à cet égard.

Cette machine est conçue pour une UTILISATION À SEC uniquement.

Vous devez retirer la batterie de la machine AVANT le nettoyage ou l'entretien et lors du remplacement de pièces ou de la conversion de la machine à une autre fonction.

La machine doit être montée, nettoyée et entretenue par un adulte.

Cette machine n'est pas conçue pour le ramassage des déchets biologiques et des poussières dangereuses ou explosives.

Contactez votre distributeur local si vous avez besoin d'une machine pouvant effectuer ce type de tâche.

La machine ne doit pas être utilisée par des personnes aux capacités physiques, sensorielles ou mentales diminuées, ou qui manquent d'expérience et de compétence, sauf si elles sont supervisées ou ont reçu les instructions nécessaires.

Cette machine n'est pas un jouet ; ne laissez pas les enfants jouer avec.



AVERTISSEMENT

Ne rangez jamais cette machine à l'extérieur et ne l'utilisez pas dans des environnements humides ou pour aspirer des matériaux humides. L'aspirateur doit être rangé dans un endroit sec. Il ne doit être utilisé qu'en intérieur.

Vous devez vérifier que le système de filtration installé sur la machine convient au type de matériau aspiré.

NOTA

Ce produit respecte les exigences de la norme CEI 60335 - 2.69.

Cette machine est adaptée à un usage commercial, par exemple pour les hôtels, les écoles, les hôpitaux, les usines, les magasins et les bureaux à des fins autres que les besoins ménagers normaux.

Si l'aspirateur cesse de fonctionner, retirez la batterie de la machine avant de localiser le problème.

Si l'aspirateur est bloqué, éteignez-le, retirez la batterie et vérifiez l'absence de débris dans l'accessoire sol, les tubes et le flexible. Si l'accessoire sol, les tubes et le flexible ne sont pas bouchés, remplacez le sac à poussière et nettoyez le filtre.

La machine est équipée d'un coupe-circuit thermique protégeant le moteur et d'autres pièces vitales de la machine contre la surchauffe.

Si la machine s'arrête, elle reviendra automatiquement aux réglages de départ une fois qu'elle a refroidi.

Examinez l'aspirateur après usage pour vérifier qu'il n'est pas endommagé.

La taille et la qualité du sac à poussière et des filtres influent sur l'efficacité de la machine.

L'utilisation de sacs à poussière ou de filtres non d'origine peut entraver le flux d'air et créer une surcharge de la machine.



CE QU'IL FAUT FAIRE

- Préserver la propreté de la machine.
- Préserver la propreté des filtres.
- Utiliser des sacs-filtres. Ils amélioreront les performances et contribuent à préserver la propreté de la machine.
- Utiliser un sac-filtre Numatic d'origine pour les environnements de poussières fines.
- S'assurer que les tubes et flexibles sont exempts de débris.
- Remplacer immédiatement toute pièce usée ou endommagée.
- Changer régulièrement le sac à poussière.
- Préserver la propreté du filtre diffuseur (le cas échéant).
- **Retirer la batterie de la machine lorsque celle-ci n'est pas utilisée.**



CE QU'IL NE FAUT PAS FAIRE

- Utiliser la machine pour aspirer des cendres chaudes, des mégots de cigarette allumés ou des gaz inflammables.
- Aspirer des poussières dangereuses ; afin d'obtenir une machine capable d'accomplir cette tâche, contacter distributeur local .
- Utiliser des nettoyeurs à vapeur ou des nettoyeurs haute pression, ou immerger la machine dans l'eau pour la nettoyer.
- Procéder à l'entretien ou au nettoyage de la machine si la batterie est branchée à l'alimentation électrique.
- Utiliser la machine dans un environnement humide ou pour aspirer des matériaux humides.
- Ranger la machine dans un environnement humide.

Mises en garde importantes – Batteries

Lisez toutes les mises en garde avant d'utiliser la batterie.

- La batterie est dotée d'une protection thermique électronique ; les conditions de fonctionnement recommandées figurent dans le Tableau de plage de température ci-dessous.
 - Ne pas stocker les batteries avec des objets métalliques en raison du risque de court-circuit.
 - Cet aspirateur requiert des batteries au Batterie Lithium-Polymère (Li-Po) Numatic .
 - Les batteries usagées doivent être éliminées en toute sécurité et placées dans un sac en plastique hermétiquement fermé, puis manipulées conformément à l'ensemble des précautions et des dispositions réglementaires environnementales approuvées localement.
 - Ne pas broyer.
 - Ne pas démonter.
 - Ne pas chauffer ni incinérer les batteries.
 - Ne pas provoquer de court-circuit des batteries.
 - Ne pas plonger dans un liquide.
 - Ne pas charger à une température inférieure à 0 °C.
 - Ne pas charger des batteries endommagées.
 - Utiliser exclusivement des batteries NUMATIC d'origine lorsque les batteries doivent être remplacées.
 - Si les batteries fuient, les amener à une usine de traitement des déchets ou des installations locales similaires.
 - Les batteries doivent être retirées de l'appareil avant que celui-ci ne soit mis au rebut.
- La batterie doit être éliminée en toute sécurité et conformément à l'ensemble des précautions et dispositions réglementaires environnementales approuvées localement.

Tableau de plage de température

Charge	5 °C~40 °C
Décharge	5 °C~45 °C
Conservation	
< 1 mois	5 °C~40 °C
< 6 mois	5 °C~35 °C



Attention



Ne pas immerger ni exposer à l'humidité.



Ne pas incinérer.

Si à tout moment la batterie s'avère défectueuse contactez Numatic International ou votre fournisseur pour obtenir des instructions pour l'élimination.



ATTENTION



Veillez suivre toutes les consignes de sécurité qui sont données.

Une batterie défectueuse ne doit en aucun cas être remise à l'intérieur d'un bâtiment.



1. Si un client souhaite renvoyer une batterie à un fournisseur, le ramassage de la batterie doit être organisé par le fournisseur. **Noter cependant que les batteries défectueuses ne doivent jamais être renvoyées par un service postal ou par coursier.**
2. Si une batterie soupçonnée d'être défectueuse, qu'elle ait été renvoyée à un fournisseur OU qu'elle se trouve dans les locaux d'un client, montre n'importe quel signe de dommage par choc, de déformation, de boursoufflage, de détachement de pièces ou de fuite, on ne doit en aucun cas la soumettre à une vérification d'état. Elle doit être considérée défectueuse, et les modes opératoires décrits à partir du point 8 ci-dessous doivent être suivis.
3. Si une batterie soupçonnée d'être défectueuse, qu'elle ait été renvoyée à un fournisseur OU qu'elle se trouve dans les locaux d'un client, ne montre AUCUN signe de dommage par choc, de déformation, de boursoufflage, de détachement de pièces ou de fuite, on peut la soumettre à une vérification d'état au moyen d'un appareil approprié pour la vérification de l'état des batteries, utilisé par une personne compétente.
4. Si la vérification montre que la batterie est défectueuse, les modes opératoires décrits à partir du point 8 ci-dessous doivent être suivis.
5. Si la vérification de la batterie montre que celle-ci est opérationnelle, on peut tenter d'effectuer un cycle de charge unique, sous observation, avec le chargeur Numatic approprié.
6. Si la batterie se recharge correctement au cours de ce cycle de recharge unique, on peut la considérer comme une batterie en bon état.
7. Si elle ne se recharge pas correctement au cours de ce cycle de recharge unique, on doit la considérer comme étant défectueuse, et les modes opératoires décrits à partir du point 8 ci-dessous doivent être suivis.
Dans ce cas, on ne doit pas faire d'autre tentative pour la recharger.

Une batterie défectueuse ne doit en aucun cas être remise à l'intérieur d'un bâtiment.

8. La batterie défectueuse doit être déchargée par immersion dans un récipient d'eau salée en milieu parfaitement ventilé. Ce conteneur doit contenir au moins 25 litres d'eau saline à une concentration de 15 g de sel commun / litre d'eau. Le conteneur doit être muni d'un couvercle pouvant être fermé et verrouillé, mais ne doit pas être scellé. La batterie doit rester entièrement immergée dans l'eau à une profondeur d'au moins 100 mm pendant au moins deux semaines. Une fois la décharge terminée, on doit éliminer l'eau comme un déchet dangereux.
9. On peut ensuite mettre la batterie déchargée dans un conteneur pour batteries usagées verrouillé. Ce conteneur doit être en plastique ou avoir un revêtement intérieur en plastique, être placé à distance des bâtiments et comporter un marquage indiquant clairement, grâce à des signes d'avertissement appropriés, qu'il s'agit d'un conteneur pour batteries usagées.
10. On doit ensuite envoyer les batteries pour élimination, dans le respect de la réglementation locale en matière d'élimination des déchets.



STOCKAGE EN LIEU SÛR DES BATTERIES EN BON ÉTAT



ATTENTION

Veillez suivre toutes les consignes de sécurité qui sont données.



Les batteries doivent être entreposées dans un endroit sec, protégé, à l'abris de toute source de chaleur et des rayons du soleil.

La température doit être inférieure à 35°C pour préserver les performances de la batterie et ne doit en aucun cas dépasser 50°C.



Exemple d'endroit bien protégé, avec une cage assurant la protection contre les chocs accidentels, les batteries étant logées dans un conteneur assurant une protection contre la chaleur, les chocs et les déversements accidentels de liquides.

Lors de l'utilisation d'un chariot élévateur à fourche ou d'une transpalette, veiller en permanence à ne pas endommager les batteries.

Si, à n'importe quel moment, une batterie en bon état subit une mauvaise manipulation ou est soumise à des conditions susceptibles de l'endommager, comme décrit dans le manuel d'instructions fourni avec la batterie, cette batterie doit être considérée défectueuse, et les modes opératoires décrits à partir du point 2 au dos de ce document doivent être suivis.

Mises en garde importantes – Chargeur

Lisez toutes les mises en garde avant d'utiliser le chargeur.

- **MISE EN GARDE !** Pour réduire le risque de blessure, ne chargez que des batteries rechargeables au Batterie Lithium-Polymère (Li-Po) Numatic.
- Les autres types de batteries peuvent éclater, causant des lésions corporelles et des dommages matériels.
- Rechercher régulièrement la présence de signes d'endommagement du câble d'alimentation.
- Ne pas employer d'appareils endommagés.
- Si le câble d'alimentation du chargeur est endommagé, il doit être remplacé par un câble NUMATIC INTERNATIONAL d'origine disponible auprès du fabricant ou de l'agent de service.
- Protéger le chargeur contre l'humidité et le conserver dans un endroit sec.
- Ne pas utiliser le chargeur s'il est humide.
- La tension d'alimentation disponible doit correspondre à la tension figurant sur la plaque signalétique du chargeur.
- Ne pas utiliser le chargeur à une température inférieure à 0 °C.
- Ne pas utiliser le chargeur dans un environnement explosif.
- Ne pas transporter le chargeur en le tenant par le câble d'alimentation.
- Ne pas manipuler la prise ou le câble électrique avec des mains humides.
- Ne pas débrancher le chargeur en tirant sur le câble. Tirer sur la prise et non sur le câble.
- Ne pas couvrir le chargeur.
- Ne pas ouvrir le chargeur. Les réparations ne doivent être effectuées que par un personnel autorisé.
- Ne pas charger des batteries endommagées.
- Ne charger que des batteries sèches.
- Ne pas charger des batteries non rechargeables dans ce chargeur.
- L'appareil n'est pas conçu pour être employé par des enfants ou des personnes infirmes sans supervision.

Attention, les batteries incluses dans ce produit doivent être chargées **UNIQUEMENT** avec le chargeur d'origine Numatic et son support. En aucun cas un autre chargeur ne devra être employé sous peine de risques de dommages importants ou d'incendie.

Instructions d'utilisation – Batteries en charge

Le chargeur est conçu pour être utilisé uniquement sur des surfaces planes, en position horizontale au sol ou sur une surface de travail. Le chargeur est destiné à être utilisé avec le câble d'alimentation amovible fourni ; l'unité d'alimentation est capable de fonctionner à différentes tensions sans aucun réglage de la part de l'utilisateur.

Si le chargeur est endommagé ou ne fonctionne plus, amenez-le au centre de service.

Procédure de charge :

1. S'assurer que la batterie est entièrement insérée dans le chargeur.
2. Fixer le câble d'alimentation au chargeur et à une source d'alimentation électrique appropriée.
3. Le voyant DEL s'allume en ROUGE pour indiquer que la charge est en cours.
4. Une fois la charge terminée, le voyant DEL passe au VERT.
5. Si le chargeur est branché sur le secteur sans qu'une batterie y ait été insérée, le voyant DEL sera VERT pour indiquer l'état d'ATTENTE

Dangers

Dangers pour la santé (aigus et chroniques).

Les produits chimiques employés dans la batterie sont confinés dans un récipient hermétique. Le risque d'exposition ne survient que si la batterie est malmenée ou endommagée.

Le contact de l'électrolyte et du lithium avec la peau et les yeux doit être évité.

Signes et symptômes d'exposition.

Une batterie endommagée ou présentant des fuites peut causer des brûlures chimiques par contact.

Mesures de premiers secours

En cas d'exposition à l'un des produits chimiques mentionnés dans la section Dangers, veuillez suivre les procédures ci-dessous :

Yeux

Rincer abondamment les yeux avec de l'eau pendant au moins 15 minutes, en soulevant régulièrement les paupières inférieures et supérieures.

Consulter un médecin.

Peau

Retirer les vêtements contaminés et rincer abondamment la peau avec de l'eau ou prendre une douche pendant au moins 15 minutes.

Consulter un médecin.

Inhalation

Quitter immédiatement le site d'exposition pour respirer de l'air frais. Utiliser si possible de l'oxygène

Ingestion

Administrer au moins deux verres de lait ou d'eau. Provoquer des vomissements, à moins que le patient soit inconscient.

Consulter un médecin.

Remarque :

L'inhalation, le contact cutané et le contact oculaire sont possibles si la batterie est endommagée. L'exposition au contenu et les vapeurs corrosives sont très irritantes pour la peau, les yeux et les muqueuses.

La surexposition peut causer des symptômes de lésion pulmonaire non fibreuse et d'irritation des muqueuses.

Garantie des batteries Lithium polymère
Numatic International garantit ses
batteries pour une durée de vie de 550
Cycles de charge à condition que ceux-ci
aient été effectués en suivant les spécifications et
recommandations constructeur.

L'usage de tout chargeur autre que le chargeur d'origine
Numatic représente un danger et annule immédiatement
toute garantie.



**De bonnes batteries... De bons chargeurs...
Un entretien approprié garantit des résultats de qualité.**

Typeplaatje



- 1 Naam en adres bedrijf
- 2 Omschrijving machine
- 3 Spanning/Frequentie
- 4 Vermogen
- 5 Gewicht (klaar voor gebruik)
- 6 WEEE-logo
- 7 CE-keurmerk
- 8 Serienummer machine



Veiligheidskritische onderdelen

Multi-regionale lader

(100 - 240V ~ 50/60Hz)

Lithium-Polymeer (Li-Po) batterij 5.2Ah

PERSOONLIJKE BESCHERMING, die vereist kan zijn bij het uitvoeren van bepaalde werkzaamheden



Gehoorbescherming



Veiligheidsschoeisel



Veiligheidshelm



Veiligheidshandschoenen



Adembescherming



Oogbescherming



Beschermende kleding



Reflecterende jas



Waarschuwingsvloerbord

LET OP: Een risico-inventarisatie dient te worden uitgevoerd teneinde te bepalen welke bescherming moet worden gebruikt.

WEEE-richtlijn

WEEE (Waste, Electrical and Electronic Equipment - Afgedankte Elektrische en Elektronische Apparatuur)

De stofzuiger, accessoires en verpakking moeten worden gesorteerd voor milieuvriendelijke recycling.

(Alleen voor EU-landen)

Gooi de stofzuiger niet weg met het huishoudelijk afval! Volgens Europese Richtlijn 2002/96/EC betreffende afgedankte elektrische en elektronische apparatuur en de overeenkomstige nationale wetten en bepalingen

moeten afgedankte stofzuigers en accu's gescheiden van het huishoudelijke afval worden ingezameld en op een milieuvriendelijke manier verder worden verwerkt.

Dagelijks:-

- Reinig de machine, ook slangen en buizen.
- Controleer of de zak en de filter zijn geplaatst.
- Controleer de lader regelmatig.
- Controleer de stofzak regelmatig.
- Controleer of de filters schoon zijn.

Wekelijks - hetzelfde als dagelijks plus: -

- Controleer de machine op versleten of beschadigde onderdelen en vervang deze onmiddellijk.
- Gebruik geen stoom- of hogedrukreiniger.

Accu's:-

- Laad de accu's na elk gebruik op.





Waarschuwing

Lees voor gebruik van dit apparaat eerst de gebruiksaanwijzing.

Gebruikers dienen goed geïnstrueerd te zijn voordat ze dit soort apparaat bedienen. Zoals bij alle elektrische apparatuur dient tijdens gebruik steeds de nodige zorgvuldigheid in acht te worden genomen en bovendien dient regelmatig periodiek en preventief onderhoud te worden uitgevoerd om de veiligheid van het apparaat te kunnen garanderen.

Als noodzakelijk onderhoud niet naar behoren wordt uitgevoerd, wat onder meer het vervangen van onderdelen door inferieure onderdelen zou kunnen omvatten, kan het apparaat onveilig worden. De fabrikant kan hiervoor echter niet aansprakelijk worden gesteld.

Dit apparaat is uitsluitend voor DROOG GEBRUIK bestemd.

VOORDAT u de machine reinigt of onderhoudt en bij het vervangen van onderdelen of het aanpassen aan een andere functie, moet u de accu uit de machine verwijderen.

Dit apparaat is bedoeld om te worden gemonteerd, gereinigd en onderhouden door een volwassene.

Deze machine mag niet worden gebruikt voor het opzuigen van biologisch gevaarlijk materiaal, gevaarlijk of explosief stof.

Neem contact op met uw plaatselijke distributeur als u een apparaat wenst dat dit wel kan.

Het apparaat mag niet worden gebruikt door kinderen of personen met beperkte lichamelijke, zintuiglijke of mentale vaardigheden of personen zonder ervaring, tenzij dit onder toezicht gebeurt of ze voldoende geïnstrueerd zijn.

Dit apparaat is geen speelgoed; kinderen mogen niet met dit apparaat spelen.



Attentie

De stofzuiger mag niet buiten worden opgeslagen of worden gebruikt in een natte omgeving of voor het opzuigen van nat materiaal.

De stofzuiger dient op een droge plek te worden bewaard en binnen te worden gebruikt.

Zorg ervoor dat het geïnstalleerde filtersysteem van het apparaat geschikt is voor het op te zuigen materiaal.

Opmerkingen

Dit product voldoet aan de eisen van IEC 60335 - 2.69.

Deze stofzuiger is geschikt voor commercieel gebruik, bijvoorbeeld in hotels, scholen, ziekenhuizen, fabrieken, winkels en kantoren voor andere doeleinden dan huishoudelijk stofzuigen.

Haal, als de stofzuiger niet meer werkt, eerst de accu uit de machine en onderzoek daarna pas wat de oorzaak van de storing is.

Als de stofzuiger verstopt raakt, schakel deze dan uit, verwijder de accu uit het apparaat en controleer het vloerelement, de buizen en de slang. Plaats, als het vloerelement, de buizen en de slang niet verstopt zijn, de stofzak terug en maak het filter schoon.

Deze machine is uitgerust met een thermische onderbreker die de motor en andere belangrijke machineonderdelen beschermt tegen oververhitting.

Als de thermische onderbreker wordt geactiveerd, wordt de machine automatisch gereset nadat deze is afgekoeld.

Na gebruik dient de stofzuiger op beschadiging te worden gecontroleerd.

De grootte en de kwaliteit van de stofzak en de filters zijn van invloed op de prestaties van de machine.

Het gebruik van niet-originele stofzakken of niet-originele filters kan de luchtdoorvoer beperken, hetgeen kan resulteren in overbelasting van de machine.



DOEN

- De stofzuiger schoonhouden.
- Accu voor het eerste gebruik volledig opladen.
- Filters schoonhouden.
- Filterzakken gebruiken, hierdoor presteert de stofzuiger beter en blijft langer schoon.
- Een originele filterzak van Numatic gebruiken bij het opzuigen van fijn stof.
- De buizen en slang schoon en vrij van verstopping houden.
- Versleten of beschadigde onderdelen meteen vervangen.
- De stofzak regelmatig vervangen.
- Het diffusiefilter (indien gemonteerd) schoonhouden.
- De accu uit de machine halen als deze niet wordt gebruikt

Niet doen

- Hete as, brandende sigarettenpeuken of brandbare gassen opzuigen.
- GGevaarlijk stof opzuigen, neem contact op met lokale distributeur u een apparaat wenst dat dit wel kan.
- Stoomreinigers of hogedrukspuiten gebruiken om het apparaat te reinigen of het apparaat onderdompelen in water.
- Geen onderhoud of reiniging van de machine uitvoeren als u de accu nog niet uit het apparaat hebt gehaald.
- De stofzuiger gebruiken in een natte omgeving of voor het opzuigen van nat materiaal.
- Het apparaat in een natte omgeving opslaan.

Belangrijke waarschuwingen – Accu's

Lees waarschuwingen alvorens de accu in gebruik te nemen.

- De accu is voorzien van een elektronische thermische beveiliging, raadpleeg de Tabel temperatuurbereik hieronder voor de aanbevolen bedrijfscondities. Bewaar de accu's niet bij metalen voorwerpen omdat dan het risico van kortsluiting ontstaat.
 - Deze stofzuiger gebruikt Lithium-ion-accu's. Gebruikte accu's moeten op een veilige manier worden afgevoerd en in een gesloten plastic zak worden gedaan en worden ingeleverd in overeenstemming met de plaatselijk toepasselijke maatregelen en milieuvorschriften.
 - Druk het apparaat niet plat.
 - Haal het apparaat niet uit elkaar.
 - Verhit de accu's niet en gooi ze niet in het vuur.
 - Sluit de accu's niet kort.
 - Dompel het apparaat niet onder in vloeistof.
 - Laad het apparaat niet bij een temperatuur lager dan 0° Celsius.
 - Laad geen beschadigde accu's op.
 - Gebruik alleen originele NUMATIC-accu's, indien vervangende accu's nodig zijn.
 - Breng accu's, als ze lekken, naar een inzamelpunt of een soortgelijke lokale voorziening.
 - Verwijder de accu's uit het apparaat, wanneer u het apparaat afdankt.
- Zorg ervoor dat de accu op een veilige manier en in overeenstemming met alle goedgekeurde maatregelen en milieuvorschriften wordt afgevoerd.

Tabel temperatuurbereik

Opladen*	50C~40°C
Ontladen	50C~45°C
Opslag	
< 1 maand	50C~40°C
< 6 maanden	50C~35°C



Attentie



Dompel het apparaat niet onder en laat het niet nat worden.



Verbrand het apparaat niet.

Als de accu te eniger tijd niet meer blijkt te werken, neem dan contact op met Numatic International of uw leverancier, en vraag informatie over de juiste afvalverwerking.



ATTENTIE



**Volg onderstaande veiligheidsvoorschriften nauwkeurig.
Een defecte accu dient in geen geval in een gebouw te worden bewaard.**

1. Als een klant een accu naar de leverancier wil terugsturen, dient de leverancier ervoor te zorgen dat deze wordt opgehaald, maar: **Defecte accu's dienen niet via de post of per koerier te worden teruggestuurd.**
2. Als een defecte accu bij de leverancier OF een klantencentrum binnenkomt en tekenen van beschadiging, vervorming, lekkage of opbollen vertoont of er onderdelen los zijn geraakt, dient deze in geen geval aan een toestandscontrole te worden onderworpen. De accu dient als defect te worden beschouwd en de onderstaande procedures vanaf punt 8 dienen te worden uitgevoerd.
3. Als een defecte accu bij de leverancier OF een klantencentrum binnenkomt en geen tekenen van beschadiging, vervorming, lekkage of opbollen vertoont en er geen onderdelen los zijn geraakt, mag deze aan een toestandscontrole worden onderworpen die door een bevoegd persoon met een geschikt controle-apparaat dient te worden uitgevoerd.
4. Indien bij de controle blijkt dat de accu defect is, dienen de onderstaande procedures vanaf punt 8 te worden uitgevoerd.
5. Als tijdens controle blijkt dat de accu werkt, kan één enkele, onder toezicht uitgevoerde laadcyclus met een Numatic-oplader worden uitgevoerd.
6. Als de accu tijdens deze oplaadprocedure goed laadt, kan de accu als goed werkend worden beschouwd.
7. Als de accu tijdens deze oplaadprocedure niet goed laadt, dient de accu als defect te worden beschouwd en dienen de onderstaande procedures vanaf punt 8 te worden uitgevoerd.
Er dient in geen geval nogmaals te worden geprobeerd om de accu te laden.
Een defecte accu dient in geen geval in een gebouw te worden bewaard.
8. De defecte accu moet worden afgevoerd door in een bak met zout water te leggen in een goed geventileerde ruimte. Deze bak dient minstens 25 liter zout water te bevatten met een concentratie van 15g keukenzout per liter water. De bak dient afgesloten te worden door een deksel, maar dient niet luchtdicht te zijn. De accu dient ten minste 2 weken en op een diepte van minstens 100mm in het water te worden ondergedompeld. Nadat het ontladen is beëindigd, dient het water als gevaarlijk afval te worden afgevoerd.
9. De defecte ontladen accu kan vervolgens in een afgesloten afvalbak voor accu's worden bewaard die van kunststof of met kunststof bekleed dient te zijn en uit de buurt van gebouwen dient te worden geplaatst. Deze dient voorzien te zijn van duidelijke indicaties en waarschuwingen dat het een bak voor defecte batterijen betreft.
10. De accu's dienen vervolgens te worden afgevoerd in overeenstemming met de in uw land geldende voorschriften.



VEILIGE OPSLAG VAN GOED WERKENDE ACCU'S



ATTENTIE

Volg onderstaande veiligheidsvoorschriften nauwkeurig.



Batterijen moeten droog worden bewaard in een beschermende omgeving waar geen zonlicht of directe warmtebron aanwezig is. De temperatuur mag niet boven 50°C worden, en bij voorkeur niet boven 35°C om goede batterij prestaties te behouden.



Een voorbeeld van een goed beschermde zone met een kooi die de accu's tegen beschadiging beschermt, waarbij de accu's in een beschermende bak zijn opgeslagen om ze tegen hitte, stoten en gemorste of uitgelopen vloeistoffen te beschermen.

Wees bij het rijden/manoeuvreren met vorkheftrucks of palletwagens altijd voorzichtig om beschadiging van de accu's te voorkomen.

Als een goed werkende accu op enig moment verkeerd wordt behandeld of blootgesteld wordt aan omstandigheden waardoor deze beschadigd kan raken (zie gebruiksaanwijzing), dient de accu als defect te worden beschouwd en dienen de procedures vanaf punt 2 aan de ommezijde te worden uitgevoerd.

Belangrijke waarschuwingen – Lader

Lees al deze waarschuwingen alvorens de accu in gebruik te nemen.

- **ATTENTIE!** Laad alleen oplaadbare accu's van het type Lithium-ion op om het risico op letsel te beperken.
Andere types accu kunnen openbarsten, hetgeen persoonlijk letsel en materiële schade kan veroorzaken.
- Controleer het netsnoer regelmatig op tekenen van beschadiging.
- Gebruik geen beschadigde apparaten.
- Als het netsnoer van de lader beschadigd is, moet het worden vervangen door een origineel NUMATIC-snoer dat verkrijgbaar is bij de fabrikant of een servicecentrum.
- Bescherm de lader tegen vocht en berg de lader op een droge plaats op.
- Gebruik de lader niet wanneer deze nat is.
- Laad het apparaat niet bij een temperatuur lager dan 0° Celsius.
- De beschikbare spanning moet overeenkomen met de spanning die is vermeld op het typeplaatje van de lader.
- Gebruik de lader niet in een explosieve omgeving.
- Gebruik het netsnoer niet om de lader te dragen.
- Hanteer het elektrische snoer of de stekker niet met natte handen.
- Trek de stekker niet aan het netsnoer uit het stopcontact. Pak de stekker vast en niet het snoer, wanneer u de stekker uit het stopcontact trekt.
- Dek de lader niet af.
- Maak de lader niet open. Reparaties mogen alleen door bevoegd personeel worden uitgevoerd.
- Laad geen beschadigde accu's op.
- Laad alleen droge accu's op.
- Gebruik de lader niet voor niet-oplaadbare accu's.
- Dit apparaat is niet bedoeld voor gebruik door kinderen of personen met verminderde fysieke mogelijkheden zonder toezicht.

Waarschuwing: de batterij die bij dit product geleverd is, mag alleen geladen worden met een Numatic lader en houder die zijn bijgeleverd. In geen enkele omstandigheid mag een alternatieve lader worden gebruikt. Dit kan leiden tot ernstige schade en brandgevaar.

Gebruiksaanwijzingen – Accu opladen voor gebruik

De lader is uitsluitend bedoeld voor gebruik op vlakke oppervlakken; plaats de lader horizontaal op de vloer of op een werkoppervlak. De lader is bedoeld voor gebruik met het bijgeleverde afneembare netsnoer, de voedingseenheid is geschikt voor verschillende spanningen en past zich automatisch aan.

Als de lader beschadigd is of niet meer werkt, breng deze dan terug naar het servicecentrum.

Laadprocedure:

1. Zorg ervoor dat de accu volledig in de lader is geplaatst.
2. Sluit het netsnoer aan op de lader en op een geschikte stroomvoorziening.
3. De LED dient **ROOD** te zijn ten teken dat de accu wordt opgeladen.
4. Als de accu volledig is opgeladen, zal de LED **GROEN** zijn.
5. Als de lader op de netvoeding wordt aangesloten zonder dat er een accu inzit, zal de LED **GROEN** oplichten om de stand **STAND-BY** aan te geven.

Gevaren

Gezondheidsrisico's (acuut & chronisch)

De chemicaliën die in de accu worden gebruikt, bevinden zich in een gesloten houder. Risico van blootstelling doet zich alleen voor als de accu verkeerd wordt behandeld of wordt beschadigd.

Contact van de huid en de ogen met elektrolyt en lithium moet worden vermeden.

Tekenen & symptomen van blootstelling.

Een beschadigde of lekkende accu kan bij contact met de huid chemische brandwonden veroorzaken.

Eerste-hulp-maatregelen

Volg onderstaande procedures als u blootgesteld bent aan een van de Chemicaliën die in de rubriek Gevaren worden genoemd.

Ogen

Spoel de ogen gedurende tenminste 15 minuten met ruime hoeveelheden schoon water en licht daarbij zo nu en dan het bovenste en het onderste ooglid op.

Zoek medische hulp

Huid

Trek bevulde kleding uit en spoel de huid met grote hoeveelheid water af of ga 15 min onder de douche staan.

Zoek medische hulp

Inademing

Verlaat onmiddellijk de plaats van de blootstelling en ga naar een plaats met frisse lucht. Gebruik zuurstof, als die beschikbaar is

Inname

Drink ten minste twee glazen melk of water. Wek braken op tenzij patiënt buiten bewustzijn is.

Zoek medische hulp

Opmerking:

Als de accu is beschadigd is inademing, contact met de huid en contact met de ogen mogelijk. Blootstelling aan de inhoud en de bijtende dampen is zeer irriterend voor de huid, de ogen en de slijmvliezen.

Overmatige blootstelling kan symptomen van niet-fibroïde longletsel en membraanirritatie veroorzaken.

Goede accu's... Goede laders... Goed onderhoud garandeert goede resultaten.

Garantie Lithium Polymeer batterij

Numatic International garandeert de werking van de Lithium Polymeer batterij voor 550 laadcycli, mits het laden is uitgevoerd volgens de richtlijnen en specificaties van de fabrikant.

Bij gebruikmaking van een niet originele lader vervalt uw garantie.



Data

Power	Motor	Airflow	Suction
36v (DC)	250W	20 L/s	1000 mm w.g
Size	Capacity	Weight	Sound Pressure
Width 340mm Depth 340mm Height 340mm	8L	6.38 Kg	65 db (A) (IEC 60704-2-1) Uncertainty 0.2dB
Run Time	Charge Time	Dust Bag	NBV 190
30 mins	3.5 hours	NVM -1CH	

Daten

Leistung	Motor	Luftmenge	Ansaugung
36v (DC)	250W	20 L/s	1000 mm w.g
Abmessungen	Fassungsvermögen	Gewicht	Schalldruck
Breite 340 mm Tiefe 340 mm Höhe 340 mm	8L	6.38 Kg	65 db (A) (IEC 60704-2-1) Uncertainty 0.2dB
Laufzeit	Ladezeit	Staubbeutel	NBV 190
30 mins	3.5 Stunden	NVM -1CH	

Données

Alimentation	Moteur	Débit d'air	Aspiration
36v (DC)	250W	20 L/s	1000 mm w.g
Dimensions	Capacité	Poids	Pression acoustique
Width 340mm Depth 340mm Height 340mm	8L	6.38 Kg	65 db (A) (IEC 60704-2-1) Uncertainty 0.2dB
Temps de fonctionnement	Temps de charge	Sac à poussière	NBV 190
30 mins	3.5 hours	NVM -1CH	

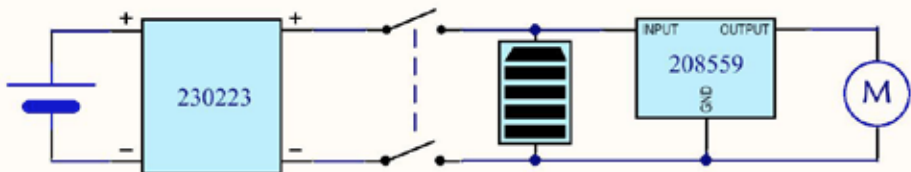
Data

Vermogen	Motor	Luchtstroom	Aanzuiging
36v (DC)	250W	20 L/s	1000 mm w.g
Afmetingen	Capaciteit	Gewicht	Geluidsdruk
Width 340mm Depth 340mm Height 340mm	8L	6.38 Kg	65 db (A) (IEC 60704-2-1) Uncertainty 0.2dB
Looptijd	Laadduur	Filterzak	NBV 190
30 mins	3.5 hours	NVM -1CH	

Spare Parts - - Pièces détachées -

604506	Lithium Polymer battery	Lithium-Ionen-Akku	Batterie Lithium-Polymère (Li-Po)	Lithium-Polymeer (Li-Po) batterij
604500	Charger Dock UK	Ladestation (Vereinigtes Königreich)	Socle de chargeur (Royaume-Uni)	Lader GB
604501	Charger Dock European	Ladestation (Europa)	Socle de chargeur (Europe)	Lader Europa
604502	Charger Dock Swiss	Ladestation (Schweiz)	Socle de chargeur (Suisse)	Lader Zwitterland
604503	Charger Dock Australian	Ladestation (Australien)	Socle de chargeur (Australie)	Lader Australië
604504	Charger Dock South Africa	Ladestation (Südafrika)	Socle de chargeur (Afrique du Sud)	Lader Zuid Afrika
604505	Charger Dock USA	Ladestation (USA)	Socle de chargeur (États-Unis)	Lader VS
236170	Charger Cable UK	Ladekabel, Vereinigtes Königreich	Câble de chargeur (Royaume-Uni)	Laadkabel GB
236171	Charger Cable European	Ladekabel, Europa	Câble de chargeur (Europe)	Laadkabel Europa
236172	Charger Cable Swiss	Ladekabel, Schweiz	Câble de chargeur (Suisse)	Laadkabel Zwitterland
236173	Charger Cable South Africa	Ladekabel, Südafrika	Câble de chargeur (Afrique du Sud)	Laadkabel Zuid Afrika
236174	Charger Cable Australian	Ladekabel, Australien	Câble de chargeur (Australie)	Laadkabel Australië
236175	Charger Cable USA	Ladekabel, USA	Câble de chargeur (États-Unis)	Laadkabel VS
604105	NVM - 1CH HepaFlo Dust bag	NVM – 1CH HepaFlo-Staubbeutel	NVM - Sac à poussière 1CH HepaFlo	NVM - 1CH HepaFlo-stofzak
604165	TriTex Filter	TriTex-Filter	Filtere TriTex	TriTex-filter
604170	Microfresh Filter	Microfresh Filter	Microfresh Filter	Microfresh Filter

Schematic Diagram - Schaltbild - Schéma -



DRW-12137 08/11/12 (A01)



13

**EU DECLARATION
OF
CONFORMITY**

We hereby declare under our sole responsibility that the following equipment fulfils all the relevant provisions of the following EU Directives:

Machinery Directive 2006/42/EC
EMC Directive 2004/108/EC
RoHS Directive 2011/65/EU

Machine Description: Vacuum Cleaner
Type: RSB 140, NBV 190, PBT 230 series

Manufactured by: Numatic International Limited

Relevant standards upon which conformity is declared include:

IEC60335-1:2010
IEC60335-2-2:2009
IEC60335-2-29 +A1 2002 + A2 2004
IEC60335-2-69:2002 +A1:2004 +A2:2007

EN 55014-1:2006
EN 55014-2:2006
EN 62233:2008

A technical construction file for this equipment is retained at the manufacturer's address under the authorisation of the following signatory:

Name: Allyn Boyes **Position:** Technical Manager

Signed:  **Date:** 01 /01/2013



Numatic International Limited,
Chard , Somerset.
TA20 2GB
www.numatic.co.uk

GB

13

**EU
Konformitätserklärung**

Wir erklären in alleiniger Verantwortung, dass die folgenden Geräte alle einschlägigen Bestimmungen der folgenden EU-Richtlinien erfüllen:

Maschinenrichtlinie 2006/42/EC
EMC Richtlinie 2004/108/EC
RoHS Richtlinie 2011/65/EU

Maschinenbezeichnung: Staubsauger
Typ: RSB 140, NBV 190, PBT 230 series

Hersteller: Numatic International Limited


Relevante Normen auf die Konformität erklärt wird beinhalten

IEC60335-1:2010
IEC60335-2-2:2009
IEC60335-2-29 +A1 2002 + A2 2004
IEC60335-2-69:2002 +A1:2004 +A2:2007

EN 55014-1:2006
EN 55014-2:2006
EN 62233:2008

Eine technische Dokumentation für diese Geräte wird an der Adresse des Herstellers unter der Verantwortung des Unterzeichners aufbewahrt:

Name: Allyn Boyes **Stellung:** Technischer Leiter

Unterschrift:  **Datum:** 01/01/2013



Numatic International Limited,
Chard , Somerset.
TA20 2GB
www.numatic.co.uk

DE

13

**DECLARATION
DE
CONFORMITE EUROPEENNE**

Nous soussignés déclarons sous notre seule et unique responsabilité que les équipements suivants remplissent toutes les dispositions concernant les directives européennes suivantes.

Machinery Directive 2006/42/EC
EMC Directive 2004/108/EC
RoHS Directive 2011/65/EU

Description Machine: Aspirateur
Type: RSB 140, NBV 190, PBT 230

Fabriqué par: Numatic International Limited

La présente conformité inclus les normes d'applications suivantes:

IEC60335-1:2010
IEC60335-2-2:2009
IEC60335-2-29 +A1 2002 + A2 2004
IEC60335-2-69:2002 +A1:2004 +A2:2007

EN 55014-1:2006
EN 55014-2:2006
EN 62233:2008

Un dossier technique concernant la fabrication de cet équipement est conservé au siege social du fabricant sous l'autorisation du signataire suivant.

Nom: Allyn Boyes **Position:** Responsable Technique

Signé par:  **Date:** 01/01/2013



Numatic International Limited,
Chard , Somerset.
TA20 2GB
www.numatic.co.uk

FR

13

**EU
CONFORMITEITSVERKLARING**

Wij verklaren hierbij dat de volgende producten zijn ontwikkeld en geproduceerd in overeenstemming met de volgende normen en voorschriften:

Machine richtlijn 2006/42/EC
EMC Richtlijn 2004/108/EC
RoHS Richtlijn 2011/65/EU

Omschrijving machine: Stofzuiger
Model: RSB 140, NBV 190, PBT 230 series

Gefabriceerd door: Numatic International Limited

Relevante normen waarop de conformiteit is verklaard, zijn inclusief:

IEC60335-1:2010
IEC60335-2-2:2009
IEC60335-2-29 +A1 2002 + A2 2004
IEC60335-2-69:2002 +A1:2004 +A2:2007

EN 55014-1:2006
EN 55014-2:2006
EN 62233:2008

Technische specificaties m.b.t. de constructie van deze machines worden bewaard bij de fabrikant onder de verantwoordelijkheid van hieronder vermelde persoon:

Naam: Allyn Boyes **Functie:** Manager Technical

Ondertekent:  **Datum:** 01/01/2013



Numatic International Limited,
Chard , Somerset.
TA20 2GB
www.numatic.co.uk

NL



NBV 190



Numatic International Limited, Chard, Somerset, TA20 2GB, ENGLAND.
Telephone 01460 68600 Fax: 01460 68458

www.numatic.co.uk



Numatic International GmbH, Fränkische Straße 15-19,
30455 Hannover, DEUTSCHLAND.
Tel: 05 11 98 42 16 0 Fax: 05 11 98 42 16 20

www.numatic.de



Numatic International S.A.S, 13/17 rue du Valengelier, EAE la Tuilerie, 77500
Chelles, FRANCE. Tel: 01 64 72 61 61 Fax: 01 64 72 61 62

www.numatic.fr



BeNeLux Distribution, Numatic International BV, Postbus 101, 2400 AC
Alphen aan den Rijn, NEDERLAND. Tel: 0172 467 999 Fax: 0172 467 970

www.numatic.nl



Numatic International (Pty.) Ltd. 16th & Pharmaceutical Roads,
Midrand, Gauteng, S.A. 1685. Tel: 0861 686 284 Fax: 0861 686 329

www.numatic.co.za



Numatic International Schweiz AG. Sihlbruggstrasse 142,
6340 Baar. SCHWEIZ. Tel: 0041 (0) 41 76 80 76 - 0.
Fax: 0041 (0) 41 76 80 76 - 9.

www.numatic.ch

Subject to change without prior notice

244154 11/15 (A09)