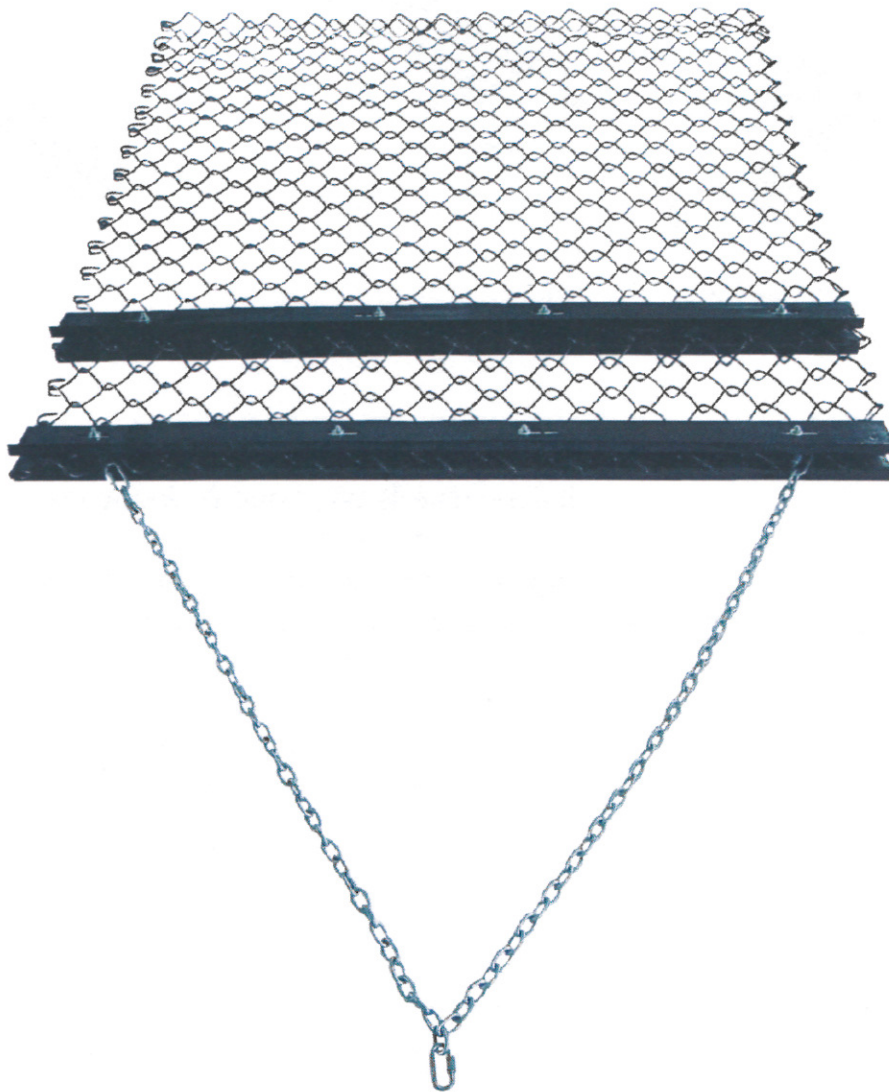


SPAD HARROW

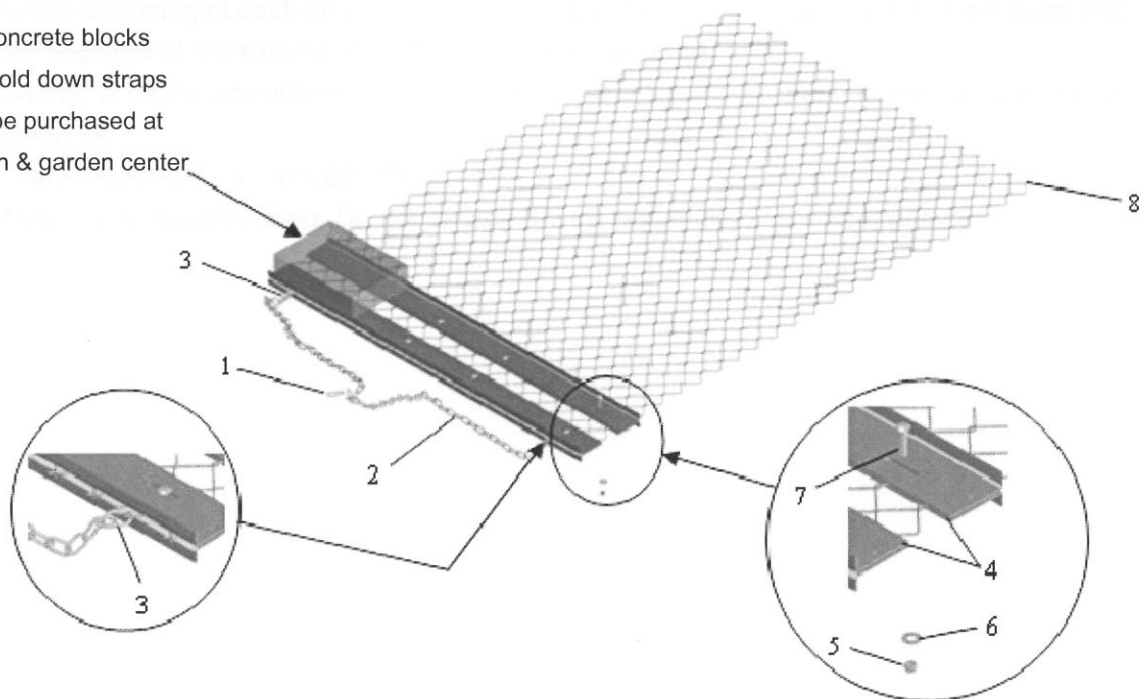
4Ft. Light Drag Harrow



ASSEMBLY AND OPERATION INSTRUCTION

DRAG HARROW

8" concrete blocks
 And hold down straps
 Can be purchased at
 any lawn & garden center



- Lay harrow onto ground and stretch out flat.
- Rounded heads of carriage bolts on top.
- Check all fasteners to ensure they are tight.
- Fasten item # 1 quick link onto chain at any desired position to pull harrow straight or at angles.
- Additional weight may be added to unit by placing 8" concrete blocks along front as shown in figure above.
 Hold down straps may be necessary to secure blocks into place.
- After item #1 quick link is in desired position hook link into the hole of your atv's hitch plate.

Item No.	Description	Qty
1	QUICK LINK	1
2	6 ' CHAIN	1
3	3/16" CHAIN CONNECTOR	2
4	HARROW PLATE	4
5	M6 NYLOCK NUT	8
6	FLAT WASHER	8
7	M6 X 35 CARRIAGE BOLT	8
8	4' X 5' X 9-GA. LINK FENCE	1

MAINTENANCE

1. At the beginning of each season, using a light machine oil, lubricate the latch, the latch pivot bolt, and the area of the axle where the draw bar tongue pivots.
2. Grease or oil the wheel bearings periodically. Use automotive wheel bearing type grease or 20 weight oil.
3. Check periodically for loose bolts.
4. Keep tire adequately filled. Do not exceed the maximum recommended pressure on tire.