



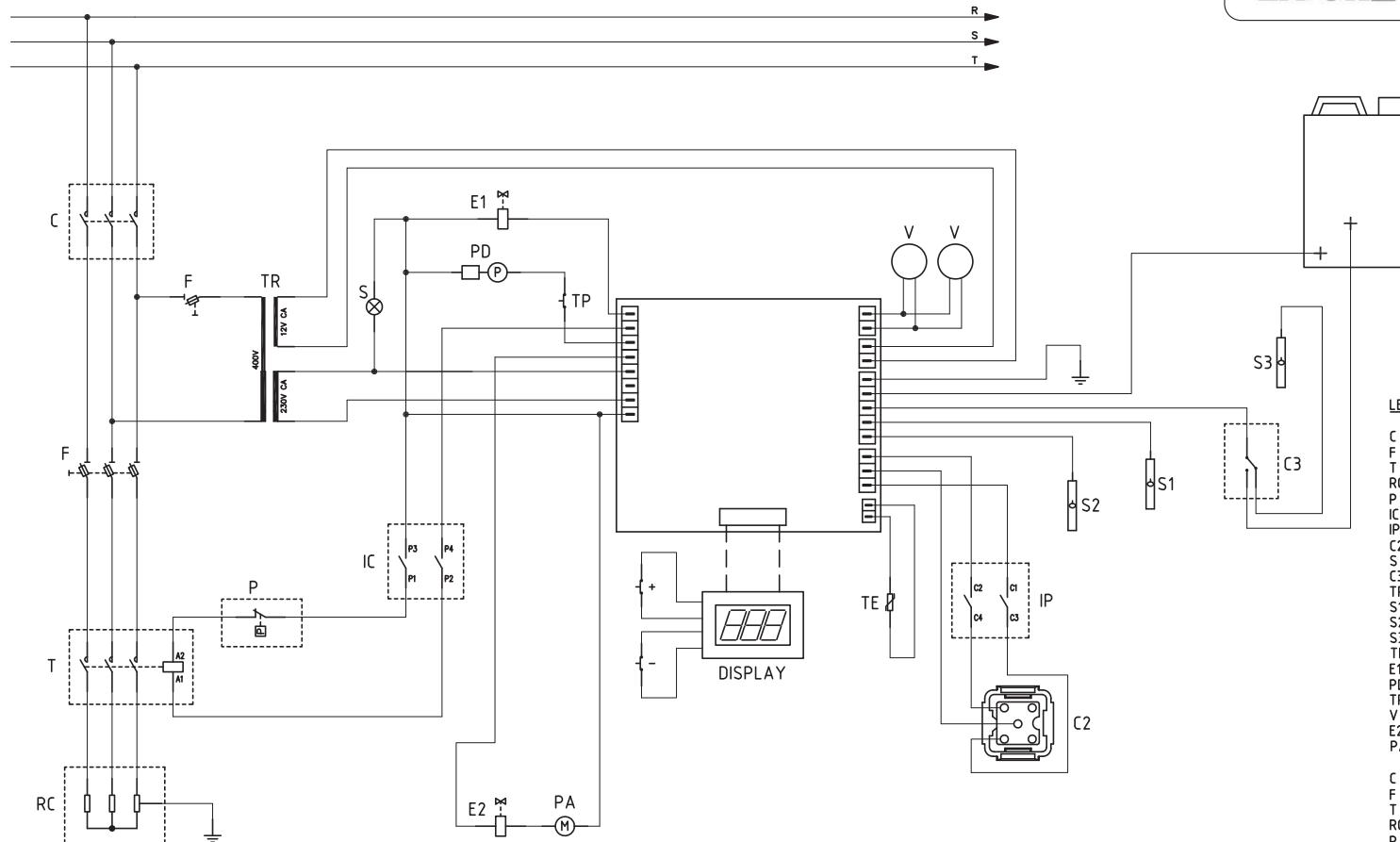
GV VESUVIO 10 400/50 LAVOR PRO

Content filters: validity 05/02/2020

05/02/2020

8.452.0010 - GV VESUVIO 10 400/50 LAVOR PRO.....	3
R8008SE00-1 - ELECTRIC WIRING.....	4
R8452A010-1 - ACCESSORIES.....	5
R8452C010-1 - BOILER.....	7
R8452E010-1 - ELECTRIC BOX.....	9
R8452I001-1 - WATER SYSTEM.....	11
R8452P002-1 - CONTROLS.....	13
R8452R001-1 - CHASSIS.....	15

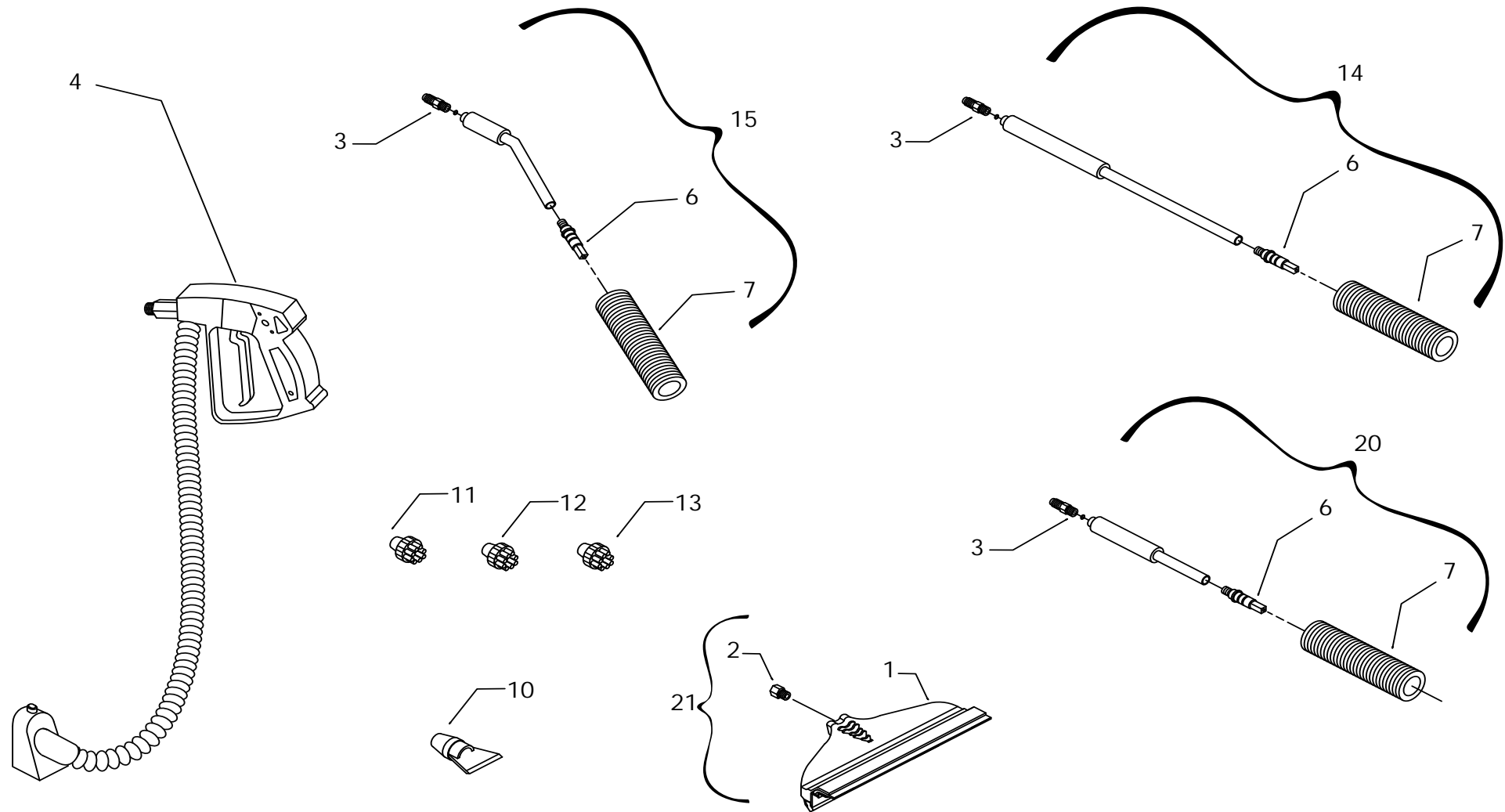
Pos.	Code	Description
0	R8008SE00-1	ELECTRIC WIRING
0	R8452A010-1	ACCESSORIES
0	R8452C010-1	BOILER
0	R8452E010-1	ELECTRIC BOX
0	R8452I001-1	WATER SYSTEM
0	R8452P002-1	CONTROLS
0	R8452R001-1	CHASSIS



LEGENDA

- C = COMMUTATORE
- F = FUSIBILE
- T = TELERUTTORE
- RC = RESISTENZE CALDAIA
- P = PRESSOSTATO
- IC = INTERRUTTORE CALDAIA
- IP = INTERRUTTORE PISTOLA
- C2 = CONNETTORE 5 POLI FEMMINA
- S = SPIA
- C3 = COMMUTATORE TANICA/ATTACCO IDRICO
- TR = TRASFORMATORE
- S1 = SONDA LIVELLO CALDAIA PIENA
- S2 = SONDA LIVELLO CALDAIA VUOTA
- S3 = SONDA LIVELLO ATTACCO IDRICO
- TE = TERMORESISTENZA PT100
- E1 = ELETTROVALVOLA
- PD = POMPA DETERGENTE
- TP = TERMOPROTEETTORE
- V = VENTOLA DI RAFFREDDAMENTO
- E2 = ELETTROVALVOLA ACQUA
- PA = POMPA ACQUA

- C = SWITCH
- F = FUSE
- T = CONTACTOR
- RC = HEATING BOILER
- P = PRESSURE SWITCH
- IC = BOILER SWITCH
- IP = GUN SWITCH
- C2 = FEMALE CONNECTOR 5 PIN
- S = LAMP
- C3 = SWITCH TANK/MAIN WATER
- TR = TRANSFORMER
- S1 = BOILER FULL LEVEL PROBE
- S2 = BOILER EMPTY LEVEL PROBE
- S3 = MAIN WATER LEVEL PROBE
- TE = THERMORESISTANCE PT100
- E1 = ELECTRO-VALVE
- PD = CHEMICAL PUMP
- TP = PROTECTOR THERMAL
- V = COOLING FAN
- E2 = WATER ELECTRO-VALVE
- PA = WATER PUMP

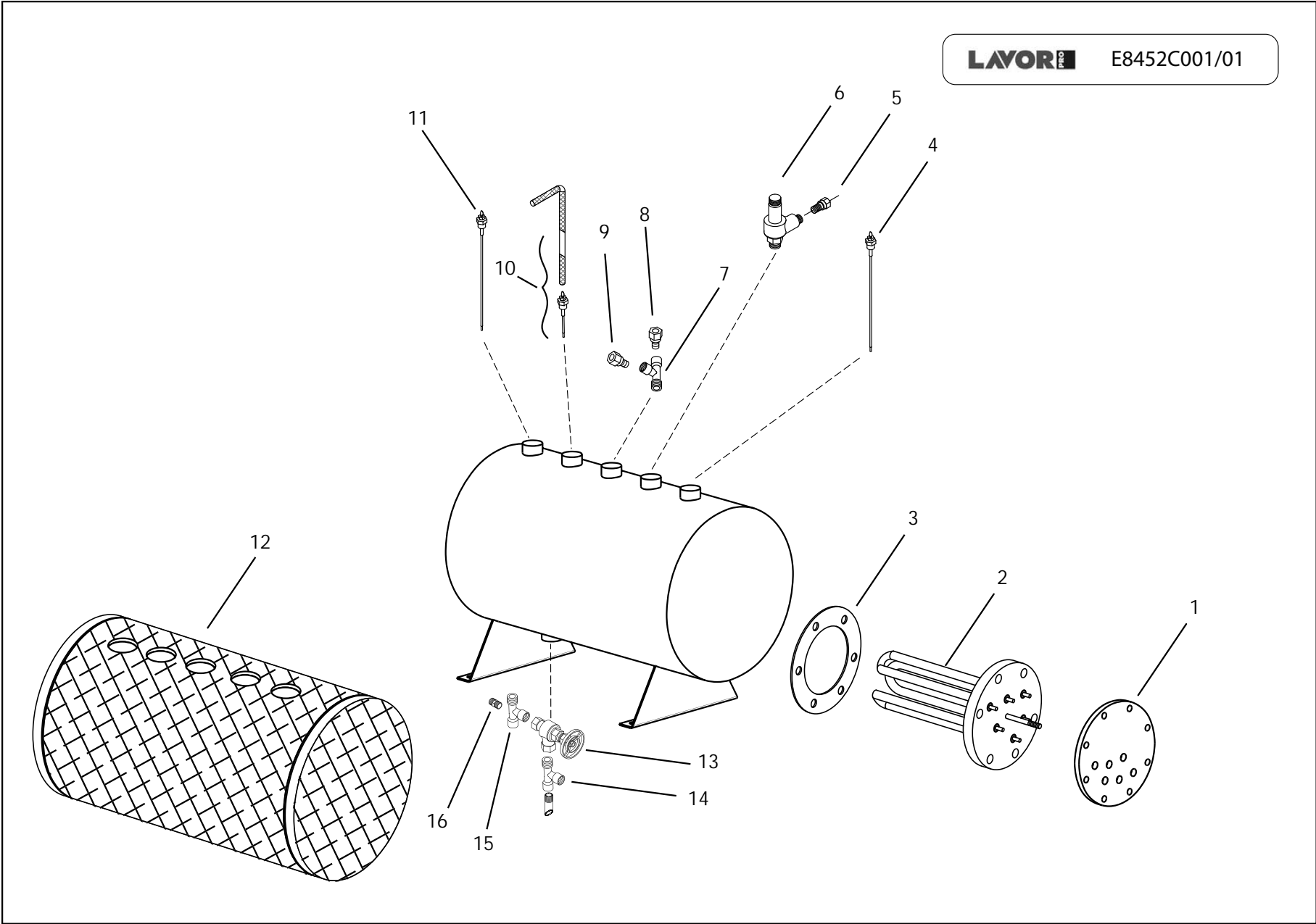


GV VESUVIO 10 400/50 LAVOR PRO - Content filters: validity 05/02/2020

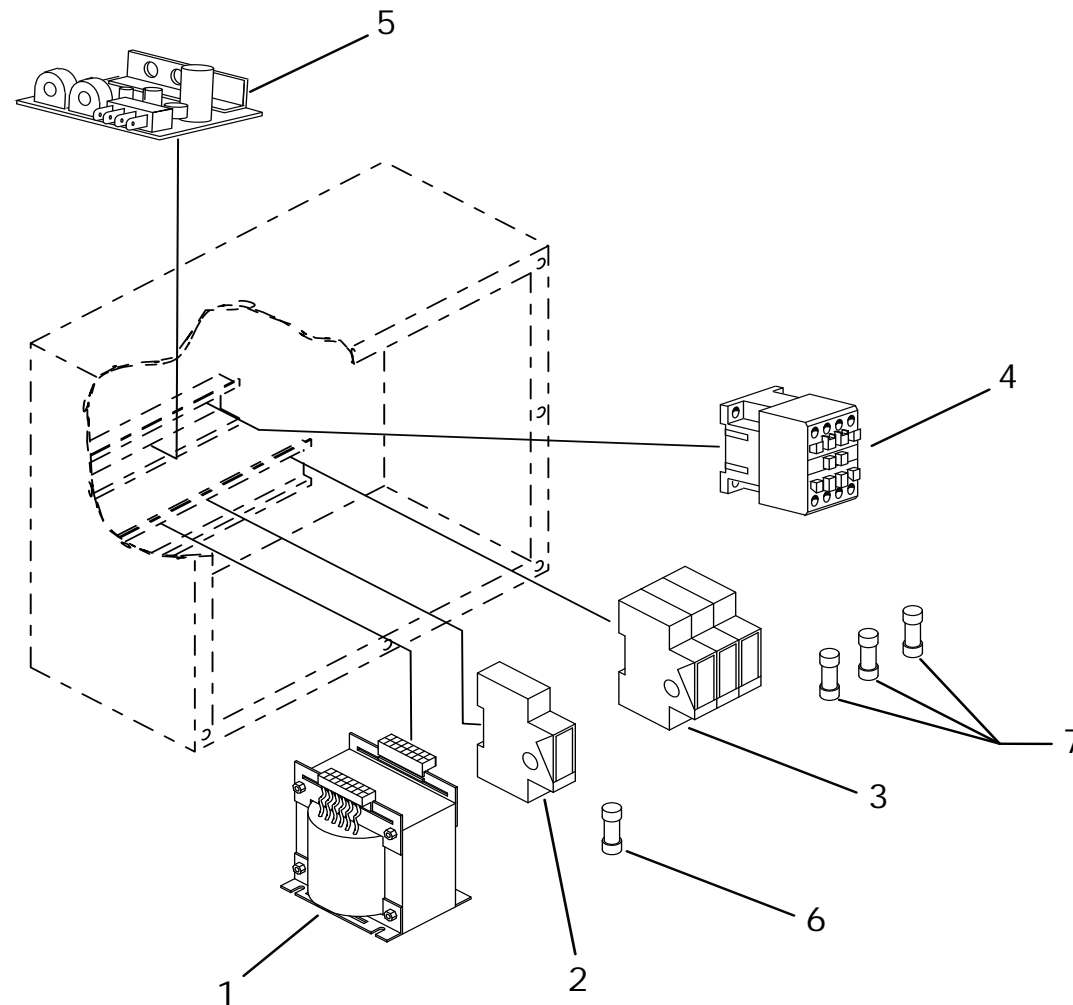
R8452A010-1 - ACCESSORIES

Validity: from 06/12/2011 to 01/01/3000

Pos.	Code	Substituted by	Q.ty	Purchasable	Min. Q.ty	For mainten.	Description
001	3.754.0155		1	Yes	1		STEAM GLASS WIPER
002	4.406.0046		1	Yes	1		COUPLING FOR STEAM GLASS WIPER
003	4.407.0033		3	Yes	1		NOZZLE 2PCS 2mm
004	6.402.0080		1	Yes	1		COMPLETE STEAM GUN W/HOSE L=3,5m FOR GV
006	3.749.0474		3	Yes	1		RAPID COUPLING 1/4F
007	4.408.0362		3	Yes	1		PLASTIC COVER D.40
010	6.402.0046		1	Yes	1		BLACK PLASTIC SCRAPER L.50
011	6.402.0045		1	Yes	1		NYLON BRISTLE BRUSH D.30
012	6.402.0047		1	Yes	1		S/S BRISTLE BRUSH D.30
013	6.402.0048		1	Yes	1		BRASS BRISTLE BRUSH D.30
014	6.402.0083		1	Yes	1		LANCE L=425 WITHOUT NOZZLE
015	6.402.0082		1	Yes	1	EXT	INCLINED LANCE L=202 WITHOUT NOZZLE
020	6.402.0081		1	Yes	1	EXT	LANCE L=175 WITHOUT NOZZLE
021	6.402.0069		1	Yes	1		STEAM WINDOW SCRAPER

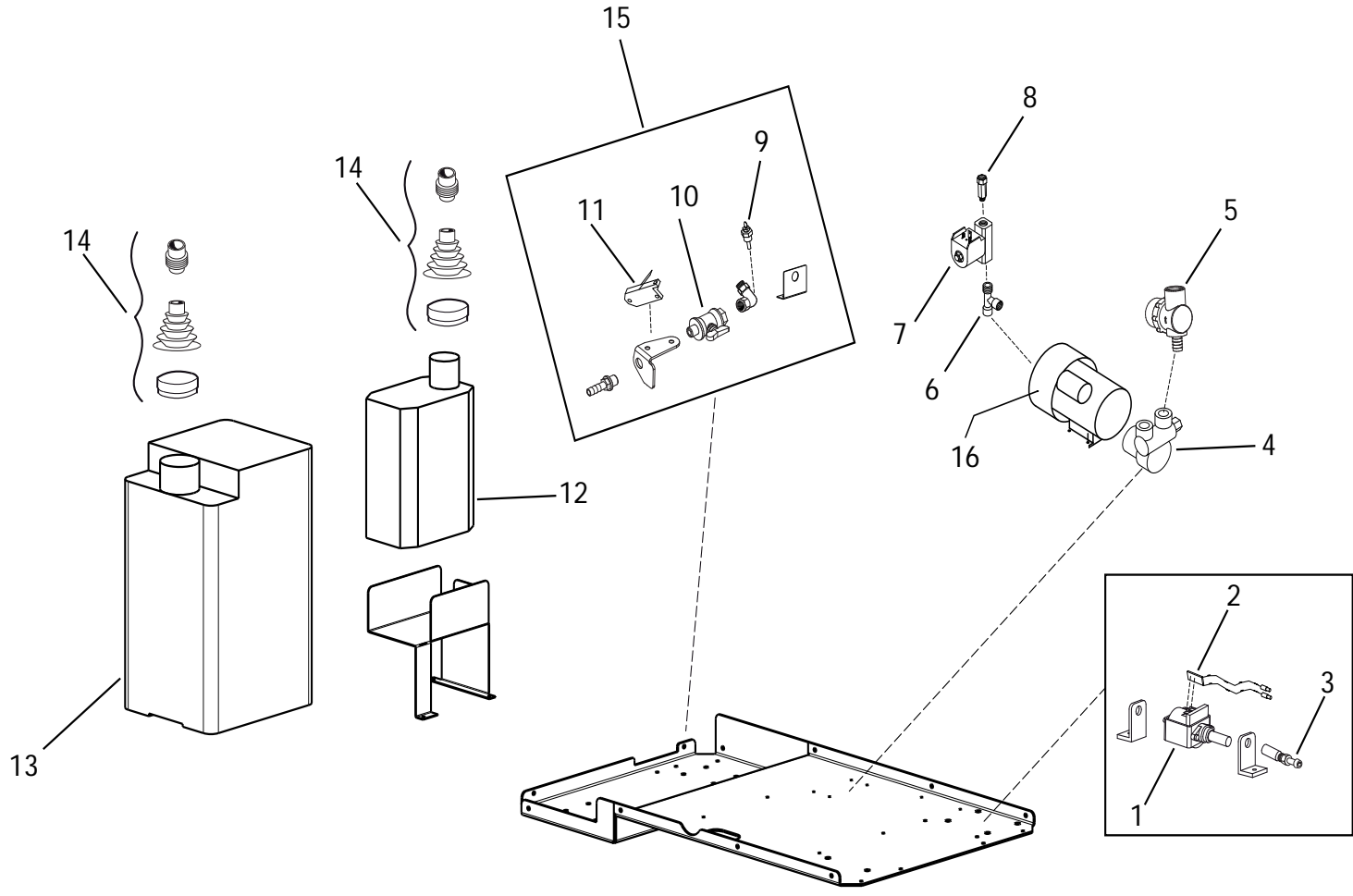


Pos.	Code	Substituted by	Q.ty	Purchasable	Min. Q.ty	For mainten.	Description
001	4.407.0134		1	Yes	1		STAINLESS STEEL PLATE D.240 FOR HEATING ELEMENT
002	3.499.0439		3	Yes	1	EXT	HEATING ELEMENT 10.000W 400V L=385
003	4.408.0350	6.405.0251	1	Yes	1		WASHER FOR HEATING ELEMENT EXT.D.240mm INT.D. 183mm
004	3.403.0208		1	Yes	1	EXT	LEVEL SENSOR FOR BOILER L=100mm
005	3.100.0377		1	Yes	1		COUPLING 1/2X10
006	3.106.0011		1	Yes	1		SAFETY VALVE 1/2 12BAR
007	3.100.0378		1	Yes	1		"T" CONNECTION 3/8 M
010	3.499.0201		1	Yes	1	EXT	THERMOCOUPLE PT100 L=1000mm
011	3.403.0207		1	Yes	1	EXT	LEVEL SENSOR FOR BOILER L=115mm
012	4.408.0351		1	Yes	1		HEAT INSULATION FOR BOILER
013	3.105.0011		1	Yes	1		EXHAUST VALVE 3/8
014	3.100.0202		1	Yes	1		"T" CONNECTION 3/8 F-M-F
015	3.100.0381		1	Yes	1		"T" CONNECTION 3/8 F-F-M
016	3.100.0382		1	Yes	1		CONNECTION 3/8M D.10
017	4.407.0133		1	Yes	1		BOILER 16 l.



GV VESUVIO 10 400/50 LAVOR PRO - Content filters: validity 05/02/2020

Pos.	Code	Substituted by	Q.ty	Purchasable	Min. Q.ty	For mainten.	Description
001	3.400.0039	3.400.0045	1	Yes	1	EXT	TRANSFORMER 0-550V 500VA
002	3.499.0209		1	Yes	1		FUSE HOLDER FOR FUSE10x38 (3008021)
003	3.499.0224		1	Yes	1		TRIPLE FUSE CARRIER 14X3
004	3.402.0053		1	Yes	1	EXT	CONTACTOR 230/50Hz 4kW AC3
005	4.415.0022		1	Yes	1		SCHEDA CONTROLLO CALDAIA ISOLATA 230V (EMC) X GV18-30 P84.0452 C/ TRATT.
006	3.499.0207		1	Yes	1		FUSE 10X38
007	3.499.0496		3	Yes	1		FUSE 20A 14X51
008	3.099.1530		2	Yes	1		FAN 60X60X25 12V DC

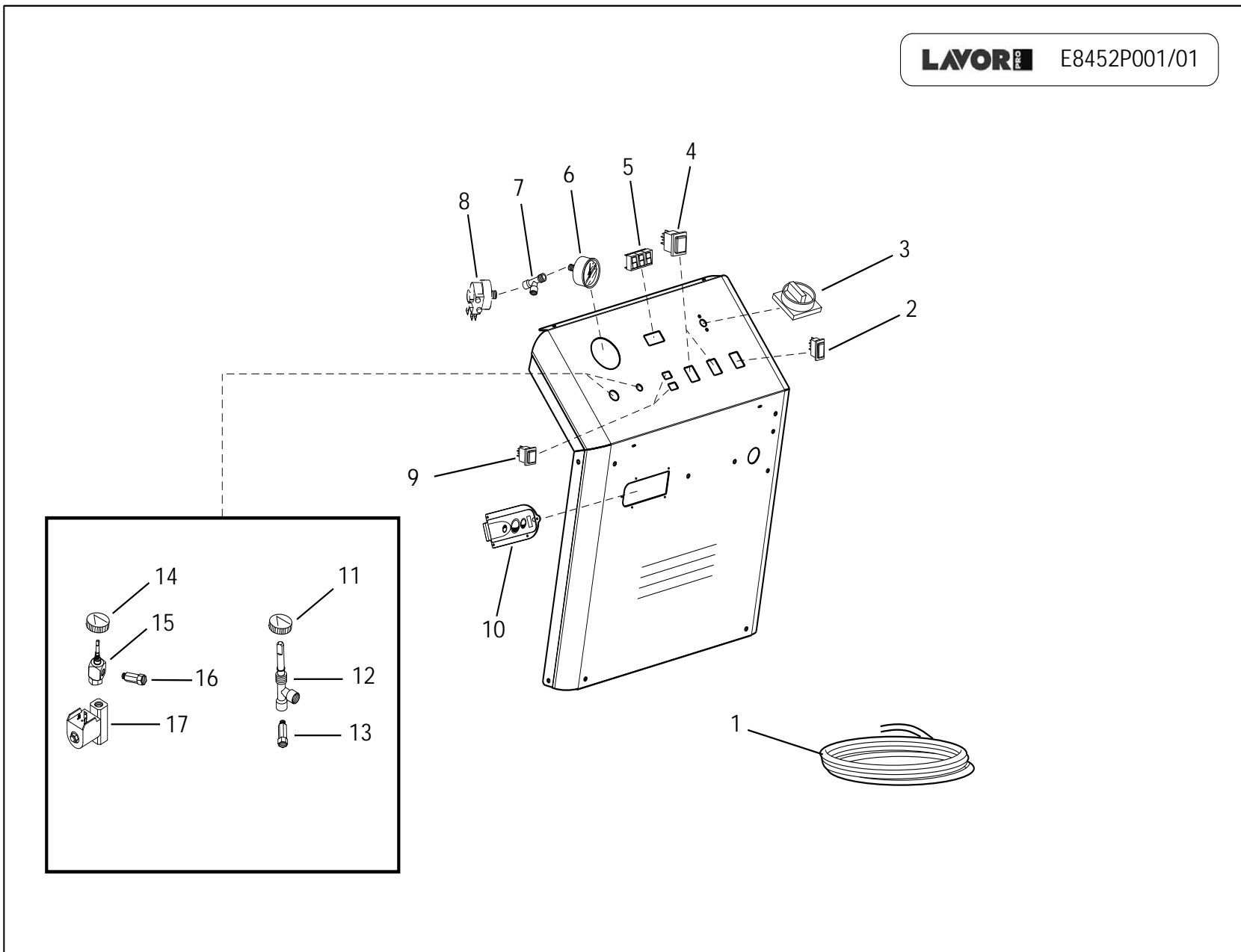


GV VESUVIO 10 400/50 LAVOR PRO - Content filters: validity 05/02/2020

R8452I001-1 - WATER SYSTEM

Validity: from 06/12/2011 to 01/01/3000

Pos.	Code	Substituted by	Q.ty	Purchasable	Min. Q.ty	For mainten.	Description
001	3.551.0031		1	Yes	1	EXT	PUMP ET 505 230V 50HZ
002	3.403.0148		1	Yes	1		THERMOSTAT UP62 130°C
003	3.106.0019		1	Yes	1		BREATHER SS22 ULKA
004	3.752.0166		1	Yes	1	EXT	WATER PUMP 3/8G 100 l/h 15BAR
005	3.102.0020		1	Yes	1	ORD	WATER FILTER 1/2G D.13
007	3.412.0014		1	Yes	1	EXT	SOLENOID VALVE D.2,8-1/4 230V50/60Hz 0,1-25BAR
008	3.106.0012	6.405.0224	1	Yes	1		NON-RETURN VALVE 1/4 M-M
009	5.409.0239		1	Yes	1		COMPLETE LEVEL SENSOR L=15mm
010	3.105.0013		1	Yes	1		TAP 1/2"
011	3.401.0094		1	Yes	1	EXT	MICROSWITCH WITH LEVER 21A 250VAC
012	5.409.0250		1	Yes	1		5 LT. TANK ASSEMBLY - VESUVIO
013	5.409.0249	5.409.0373	1	Yes	1		25 LT. TANK ASSEMBLY - VESUVIO
014	5.409.0251	5.409.0261	2	Yes	1		COMPLETE RED CAP
015	5.409.0238		1	Yes	1		COMPLETE WATER SELECTOR (TANK-WATER SUPPLY)
016	5.409.0257	3.755.0052	1	Yes	1		MOTORE + FLANGE ASSEMBLY FORTEKNA STEAM/VESUVIO

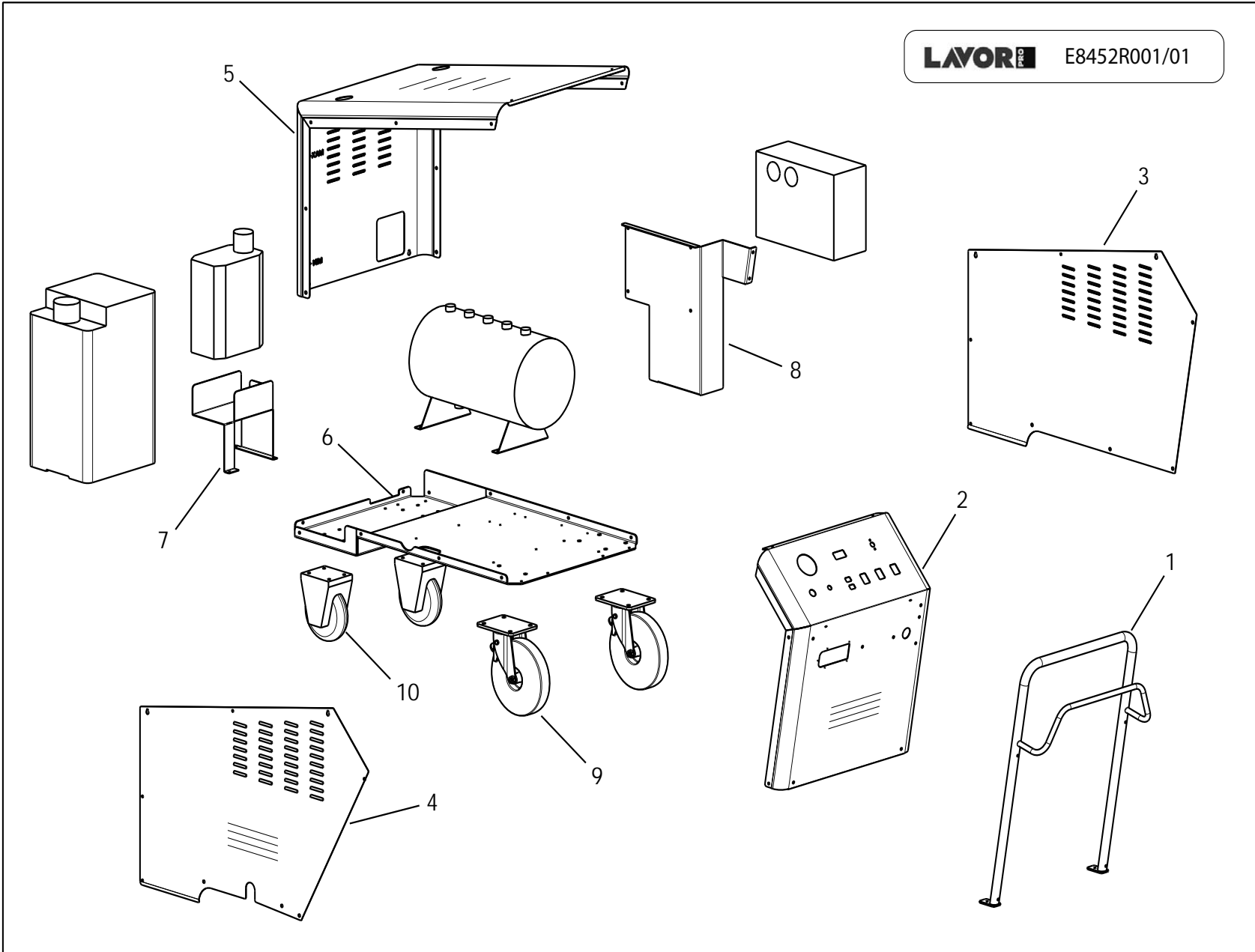


GV VESUVIO 10 400/50 LAVOR PRO - Content filters: validity 05/02/2020

R8452P002-1 - CONTROLS

Validity: from 06/12/2011 to 01/01/3000

Pos.	Code	Substituted by	Q.ty	Purchasable	Min. Q.ty	For mainten.	Description
001	4.612.0084		1	Yes	1		MAIN POWER CABLE L=3000
002	3.499.0129		1	Yes	1		LED TYPE 81F 220V BLACK-RED
003	3.401.0190		1	Yes	1	EXT	MAIN POWER SWITCH 63A
004	3.401.0139		2	Yes	1	EXT	DOUBLE-POLE SWITCH COMAREL 280218 BLACK
005	4.415.0019		1	Yes	1	EXT	SMALL CIRCUIT BOARD (PRESSUREINDICATOR DISPLAY)
006	3.107.0024		1	Yes	1		STEAM GAUGE D.50 0/16 BAR 1/4M
007	3.100.0208		1	Yes	1		T CONNECTION 1/4 FFF (3026231)
008	3.403.0182		1	Yes	1		MANOSTAT 10 BAR 1/4G
009	3.401.0037		2	Yes	1	EXT	THERMIC058446 BLACK SWITCH
010	5.409.0236		1	Yes	1		COMPLETE SOCKET
012	3.749.0477		1	Yes	1		TAP 1/8 F-F
013	3.106.0016		1	Yes	1	EXT	CHECK VALVE 1/4FF WITH SPRING(3020009)
014	3.099.0960		1	Yes	1		STEAM ADJUSTMENT KNOB (1 600360)
015	5.409.0168		1	Yes	1		STEAM REGULATOR 1/4 F-F
017	3.412.0045	3.412.0050	1	Yes	1		SOLENOID VALVE D.8 - 3/8 220V50/60Hz



GV VESUVIO 10 400/50 LAVOR PRO - Content filters: validity 05/02/2020

R8452R001-1 - CHASSIS

Validity: from 06/12/2011 to 01/01/3000

Pos.	Code	Substituted by	Q.ty	Purchasable	Min. Q.ty	For mainten.	Description
001	4.407.0146		1	Yes	1		HANDLE
002	4.407.0141		1	Yes	1		CONTROL PANEL PLATE
003	4.407.0136		1	Yes	1		LEFT COVER PLATE
004	4.407.0137		1	Yes	1		RIGHT COVER PLATE
005	4.407.0140		1	Yes	1		UPPER COVER PLATE
006	4.407.0135		1	Yes	1		BASE PLATE
007	4.407.0143		1	Yes	1		SUPPORT FOR SMALL TANK
008	4.407.0138		1	Yes	1		SUPPORT FOR ELECTRIC BOX
009	3.006.0095		2	Yes	1		WHEEL D.200 WITH BRAKE H.240
010	3.006.0100		2	Yes	1		WHEEL D.160 H.190