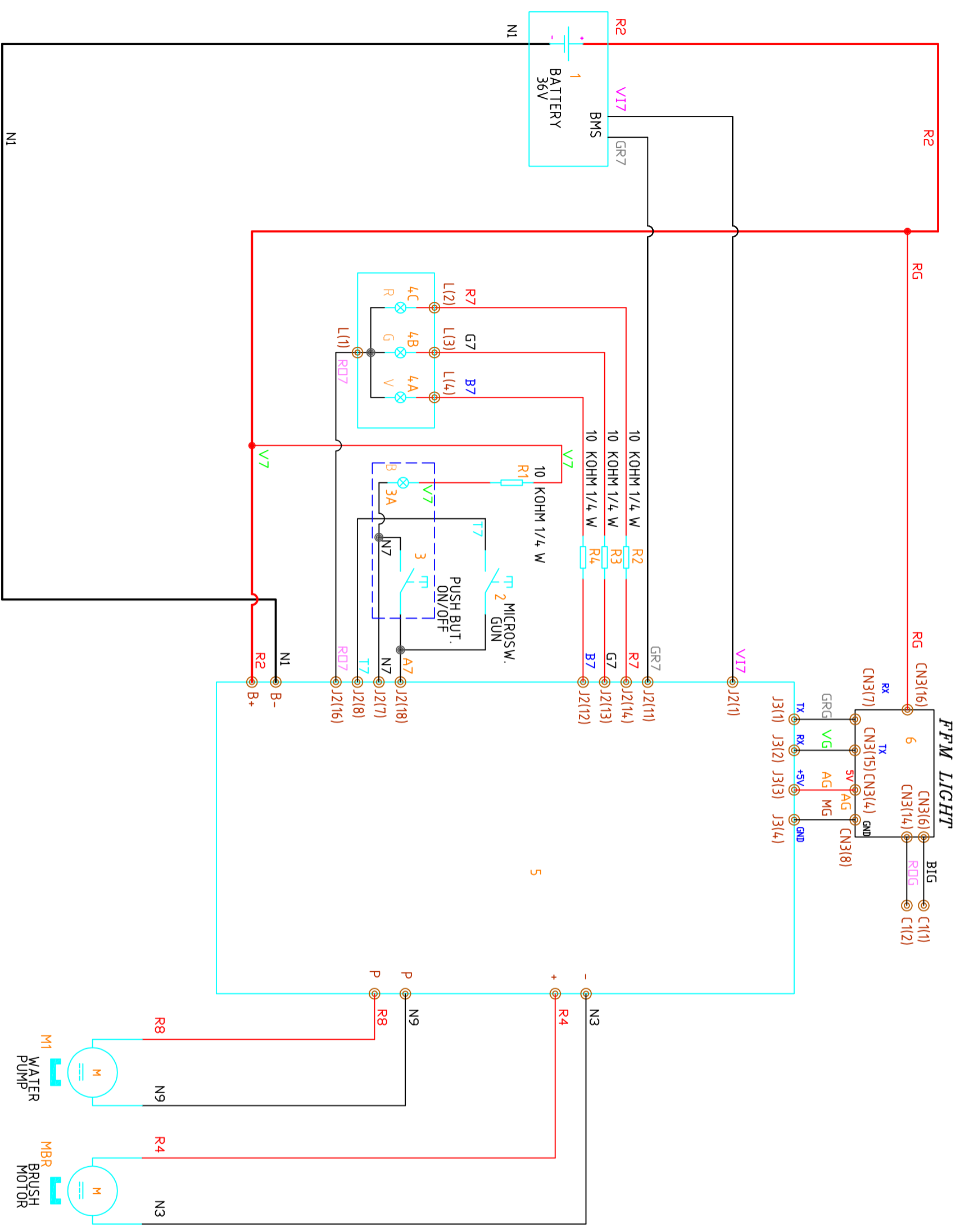


CONFIGURATION OF MACHINE AT REST NC-NO = INDICATION OF WIRE CONNECTION



COLOR LEGEND  
1, 2, ... =COMPONENTS  
JK(Y), ... =PCB CONNECTIONS

REV.	0	1	2	3	4	5	6	7	8	9
MODIFY										
DATE										
DESIGNER										
SEE										
APPR.										
DATE	25/11/2020									
DESIGNER	OLIVO									
SEE	SIMEONI									
APPR.	CRIVELLARO									
DATE										
DESIGNER										
SEE										
APPR.										
DATE										
DESIGNER										
SEE										
APPR.										
DATE										
DESIGNER										
SEE										
APPR.										
DATE										
DESIGNER										
SEE										
APPR.										
DATE										
DESIGNER										
SEE										
APPR.										
DATE										
DESIGNER										
SEE										
APPR.										
DATE										
DESIGNER										
SEE										
APPR.										
DATE										
DESIGNER										
SEE										
APPR.										
DATE										
DESIGNER										
SEE										
APPR.										
DATE										
DESIGNER										
SEE										
APPR.										
DATE										
DESIGNER										
SEE										
APPR.										
DATE										
DESIGNER										
SEE										
APPR.										
DATE										
DESIGNER										
SEE										
APPR.										
DATE										
DESIGNER										
SEE										
APPR.										
DATE										
DESIGNER										
SEE										
APPR.										
DATE										
DESIGNER										
SEE										
APPR.										
DATE										
DESIGNER										
SEE										
APPR.										
DATE										
DESIGNER										
SEE										
APPR.										
DATE										
DESIGNER										
SEE										
APPR.										
DATE										
DESIGNER										
SEE										
APPR.										
DATE										
DESIGNER										
SEE										
APPR.										
DATE										
DESIGNER										
SEE										
APPR.										
DATE										
DESIGNER										
SEE										
APPR.										
DATE										
DESIGNER										
SEE										
APPR.										
DATE										
DESIGNER										
SEE										
APPR.										
DATE										
DESIGNER										
SEE										
APPR.										
DATE										
DESIGNER										
SEE										
APPR.										
DATE										
DESIGNER										
SEE										
APPR.										
DATE										
DESIGNER										
SEE										
APPR.										
DATE										
DESIGNER										
SEE										
APPR.										
DATE										
DESIGNER										
SEE										
APPR.										
DATE										
DESIGNER										
SEE										
APPR.										
DATE										
DESIGNER										
SEE										
APPR.										
DATE										
DESIGNER										
SEE										
APPR.										
DATE										
DESIGNER										
SEE										
APPR.										
DATE										
DESIGNER										
SEE										
APPR.										
DATE										
DESIGNER										
SEE										
APPR.										
DATE										
DESIGNER										
SEE										
APPR.										
DATE										
DESIGNER										
SEE										
APPR.										
DATE										
DESIGNER										
SEE										
APPR.										
DATE										
DESIGNER										
SEE										
APPR.										
DATE										
DESIGNER										
SEE										
APPR.										
DATE										
DESIGNER										
SEE										

POS	DENOMINAZIONE	DESCRIPTION	DENOMINATION	BENENNUNG	DESCRIPCION
1	Batteria 36V	Batterie 36V	Batterie 36V	Batterie 36V	Batterie 36V
2	Pulsante acqua	Push button water	Poussoir de l'eau	Druckknopf Wasser	Pulsador de agua
3	Pulsante on/off	Push button on/off	Poussoir on/off	Druckknopf für Ein / Aus	Pulsador de encendido/apagado
4	Led verde batteria	Green led battery	Led vert batterie	Grün LED-Batterie	Led verde batería
4A	Led giallo batteria	Yellow led battery	Led jaune batterie	Gelbe LED-Batterie	Led amarillo batería
4B	Led rosso batteria	Red led battery	Led rouge batterie	Rot LED-Batterie	Led rojo batería
5	Scheda controllo funzioni	Control board functions	Carte électronique de fonctions	Elektronikkarte Steuerfunktionen	Ficha de control de funciones
6	Scheda FFM Light	FFM Light Card	Plaque electronique FFM Light	Karte FFM Light	Ficha FFM Light
M1	Pompa acqua	Water pump	Pompe à eau	Wasserpumpe	Bomba de agua
MBR	Motore basamento orbitale	Orbital base motor	Moteur de base orbitale	Orbitalbasismotor	Motor de base orbital

REV.	MODIFY	DATE	APPR.	CRVILLARO	SUBST.:	CODE:	SH. 2 OF 2
		DATE	DESIGNER	SIMEONI			
		25/11/2020	OLIVO				
			SEE				


**FIMAP**  
 Via Invalidi del Lavoro, 1  
 S. Maria di Zevio  
 Verona

*Autocad Electrical*  
 2019  
 DESCRIZIONE COMPONENTI  
 LIST OF COMPONENTS  
 CODE:  
 DOCUMENT: 10101595  
 ORBITZER DUSSMANN