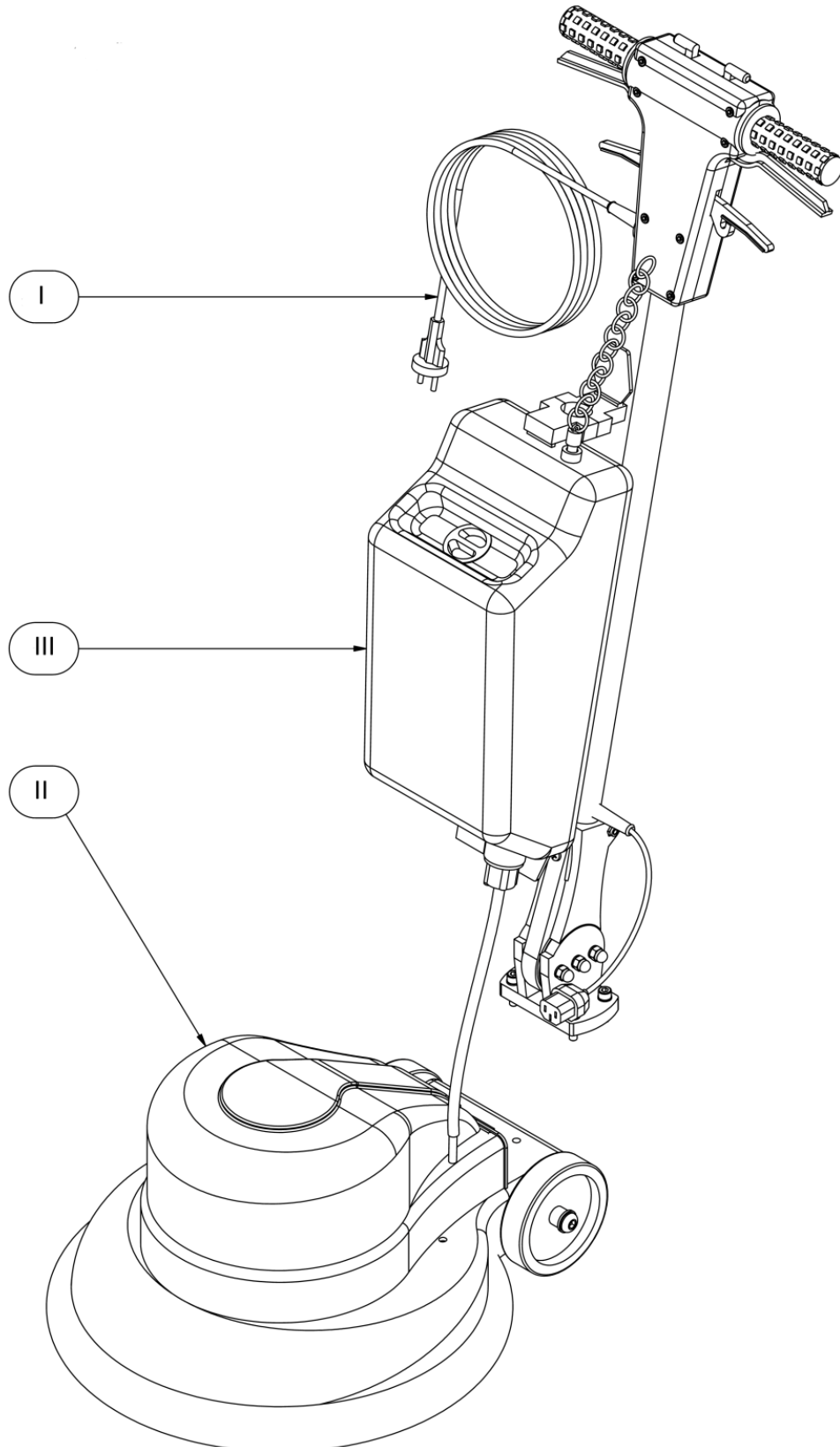


E 13 Brillo, E 17 Brillo, E 17 W16,
E 17 Presto, E 17 Duo, E 20 Brillo, E 20 Presto



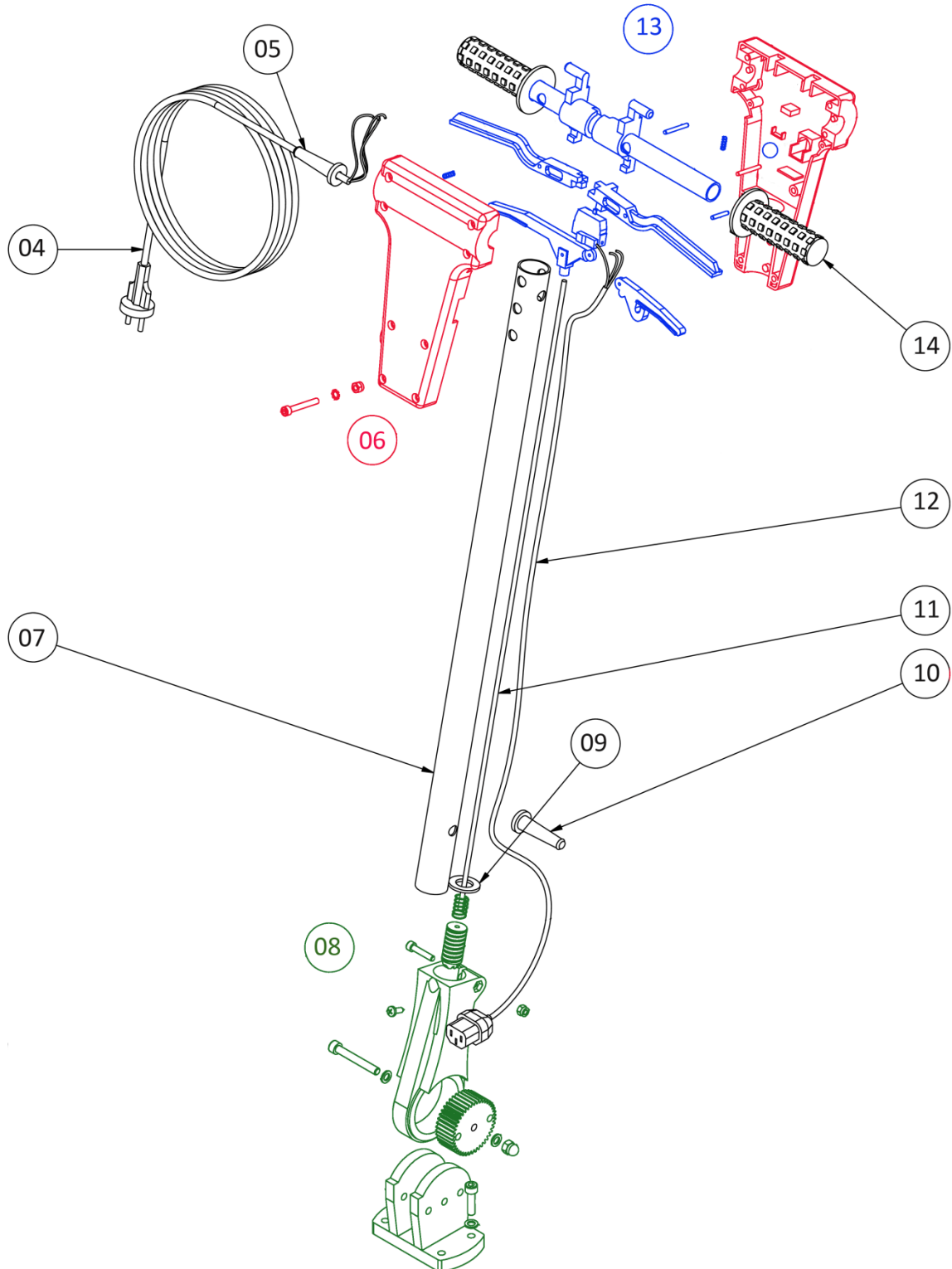
E 13 Brillo, E 17 Brillo, E 17 W16,
E 17 Presto, E 17 Duo, E 20 Brillo, E 20 Presto



E 13 Brillo, E 17 Brillo, E 17 W16,
E 17 Presto, E 17 Duo, E 20 Brillo, E 20 Presto

Bildnummer / Image number	Bezeichnung	Description	Art.-Nr. / Part-No.
I	Steuerstange komplett E 13 Brillo	Entire adjustment rod E 13 Brillo	891650.000101
	Steuerstange komplett E 17 Brillo	Entire adjustment rod E 17 Brillo	891651.000101
	Steuerstange komplett E 17 W16	Entire adjustment rod E 17 W16	890652.000101
	Steuerstange komplett E 17 Presto	Entire adjustment rod E 17 Presto	890653.000101
	Steuerstange komplett E 17 Duo	Entire adjustment rod E 17 Duo	890654.000101
	Steuerstange komplett E 20 Brillo	Entire adjustment rod E 20 Brillo	890655.000101
	Steuerstange komplett E 20 Presto	Entire adjustment rod E 20 Presto	890656.000101
	II	Maschinenkopf E 13 Brillo	Entire machine head E 13 Brillo
Maschinenkopf E 17 Brillo		Entire machine head E 17 Brillo	891651.000000
Maschinenkopf E 17 W16		Entire machine head E 17 W16	891652.000000
Maschinenkopf E 17 Presto		Entire machine head E 17 Presto	891653.000000
Maschinenkopf E 17 Duo		Entire machine head E 17 Duo	891654.000000
Maschinenkopf E 20 Brillo		Entire machine head E 20 Brillo	891655.000000
Maschinenkopf E 20 Presto		Entire machine head E 20 Presto	891656.000000
III		Tank komplett E 13 Brillo, E 17 Brillo, E 17 W16, E 17 Presto, E 17 Duo, E 20 Brillo, E 20 Presto	Entire tank E 13 Brillo, E 17 Brillo, E 17 W16, E 17 Presto, E 17 Duo, E 20 Brillo, E 20 Presto

E 13 Brillo, E 17 Brillo, E 17 W16,
E 17 Presto, E 17 Duo, E 20 Brillo, E 20 Presto

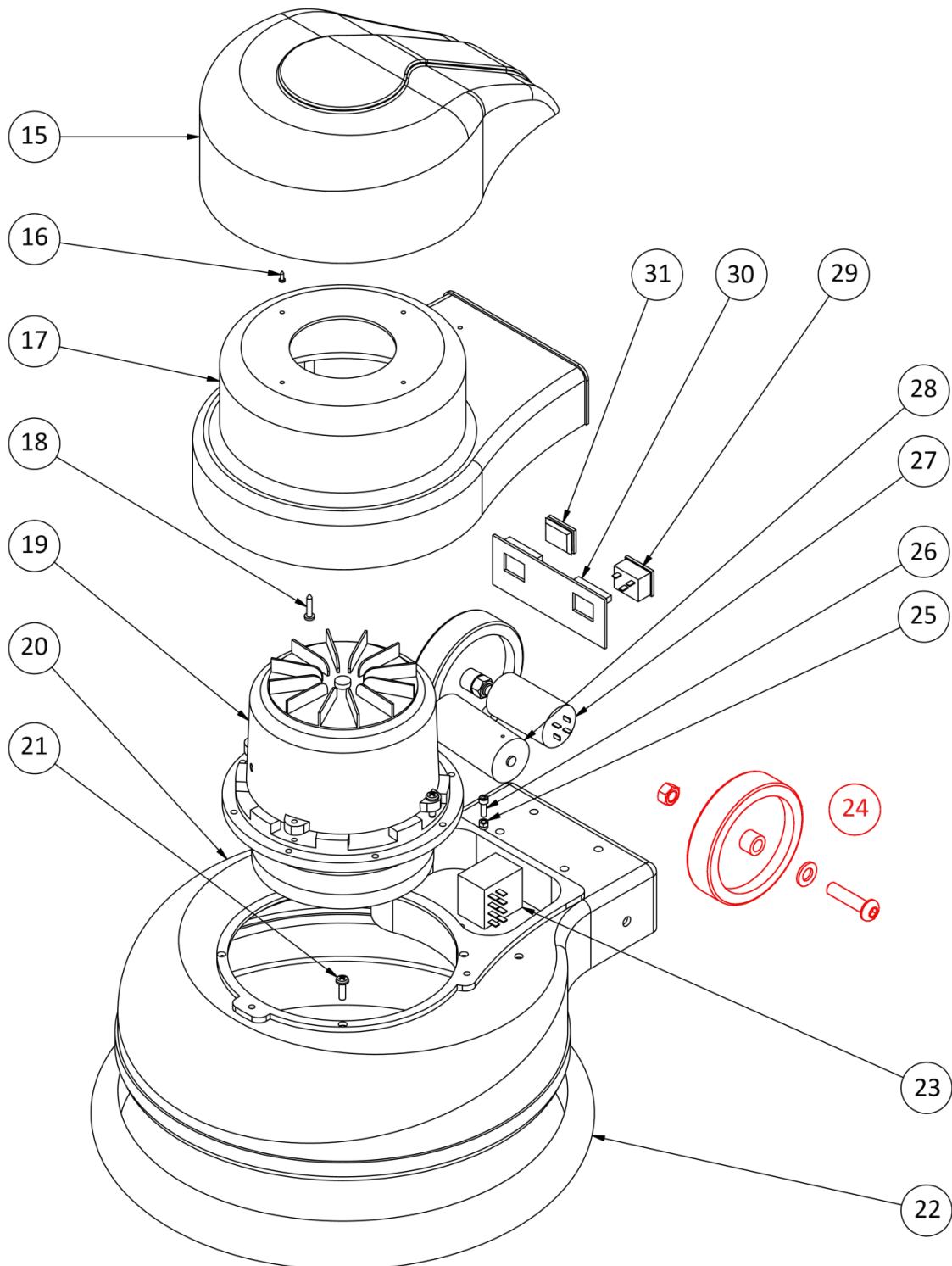


E 13 Brillo, E 17 Brillo, E 17 W16,
E 17 Presto, E 17 Duo, E 20 Brillo, E 20 Presto

Bildnummer / Image number	Bezeichnung	Description	Art.-Nr. / Part-No.
04	Netzkabel	Power cord	891651.000004
05	Kabelschelle für Griff	Cable holder for handle	891651.000005
06	Griffschale komplett	Handle shell complete	891651.000006
07	Steuerstange	Adjustment rod	891651.000007
08	Baugruppe: Verbindungsgelenk	Assembly kit: junction	891651.000008
09	Federring	Washer app. spring	891651.000009
10	Kabelschelle	Cable holder	891651.000010
11	Arretierstange	Lift bar	891651.000011
12	Inneres Netzkabel	Internal power cord	891651.000012
13	Kleinteile komplett für Griffschale	Sundries complete for handle shell	891651.000013
14	Abdeckung für Handgriff	Handle bar cover	891651.000014

E 13 Brillo, E 17 Brillo, E 17 W16,
E 17 Presto, E 17 Duo, E 20 Brillo, E 20 Presto

II

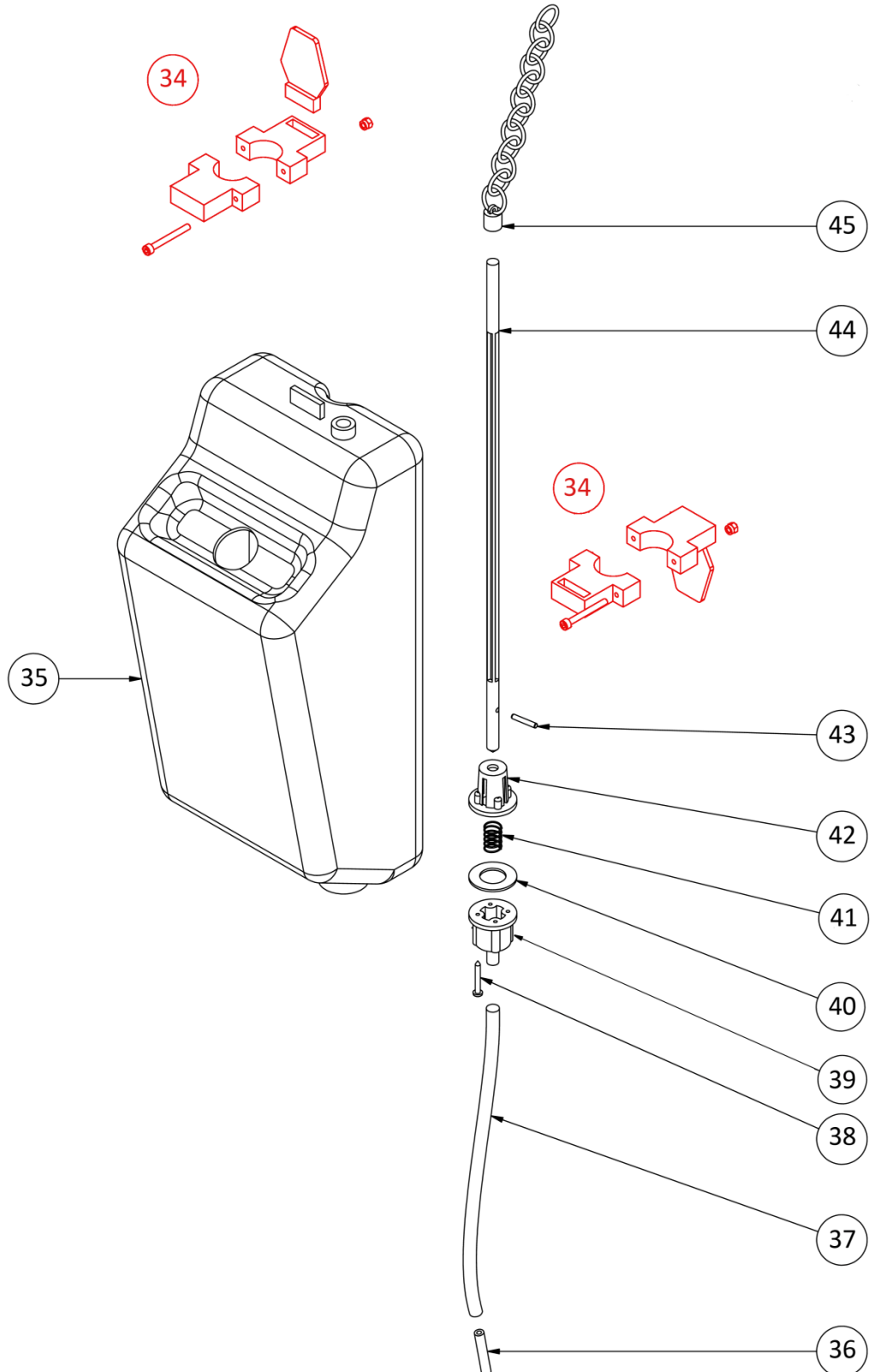


E 13 Brillo, E 17 Brillo, E 17 W16,
E 17 Presto, E 17 Duo, E 20 Brillo, E 20 Presto

Bildnummer / Image number	Bezeichnung	Description	Art.-Nr. / Part-No.
15	Obere Abdeckung	Upper cover	891651.000015
16	Schraube, TC + 3,5x16zn	Screw	891651.000016
17	Untere Abdeckung	Lower cover	891651.000017
18	Schraube, TC 4,8x50 A2	Screw	891651.000018
19	Saugmotor + Getriebe	Vacuum motor + gearbox	891651.000019
20	Oberes und unteres Gehäuse komplett	Upper and lower chassis complete	891651.000020
21	Schraube, TCEI 8.8 6x25zn	Screw	891651.000021
22	Dämpfering	Bumper ring	891651.000022
23	Elektronischer Schutzschalter	Electronic circuit breaker	891651.000023
24	Räder Montage Set	Wheels assembly kit	891651.000024
25	Mutter, 6S 5588 M8	Nut	891651.000025
26	Schraube, TCEI 8.8 8,30znt	Screw	891651.000026
27	Anlauf-Kondensator 88 µF	Start capacitor	891651.000027
28	Kondensator 40mf 50Hz 230V	Capacitor	891651.000028
29	Stecker	Plug	891651.000029
30	Halteplatte für Stecker und Steckdose	Outlet and plug holder plate	891651.000030
31	Steckdosenabdeckung	Outlet cover	891651.000031
	Mutter, hexagonal 982/985	Nut	891651.000032
	Schraube, TBEI M5x16znt	Screw	891651.000033

E 13 Brillo, E 17 Brillo, E 17 W16,
E 17 Presto, E 17 Duo, E 20 Brillo, E 20 Presto

III



E 13 Brillo, E 17 Brillo, E 17 W16,
E 17 Presto, E 17 Duo, E 20 Brillo, E 20 Presto

Bildnummer / Image number	Beschreibung	Description	Art.-Nr. / Part-No.
34	Baugruppe: Kabel-/ Tankhalterung komplett	Assembly kit: tank/ support complete	891651.000034
35	Tank	Tank	891651.000035
36	Stützrohr	Tube support	891651.000036
37	Schlauch	Hose	891651.000037
38	Schraube TC + 3,9x38	Screw	891651.000038
39	Dosierer, äußeres Segment	Doser external segment	891651.000039
40	Dichtungsring	Tank gasket	891651.000040
41	Feder für Tankventil	Spring for tank valve	891651.000041
42	Dosierer, inneres Segment	Doser internal segment	891651.000042
43	Einsatz für Tankstange	Insert for tank rod	891651.000043
44	Dosierstange	Doser rod	891651.000044
45	Komplettes Ketten-Set für Tank	Complete chain assembly for tank	891651.000045
	Brückenunterstützung	Bridge support for tank	891651.000046