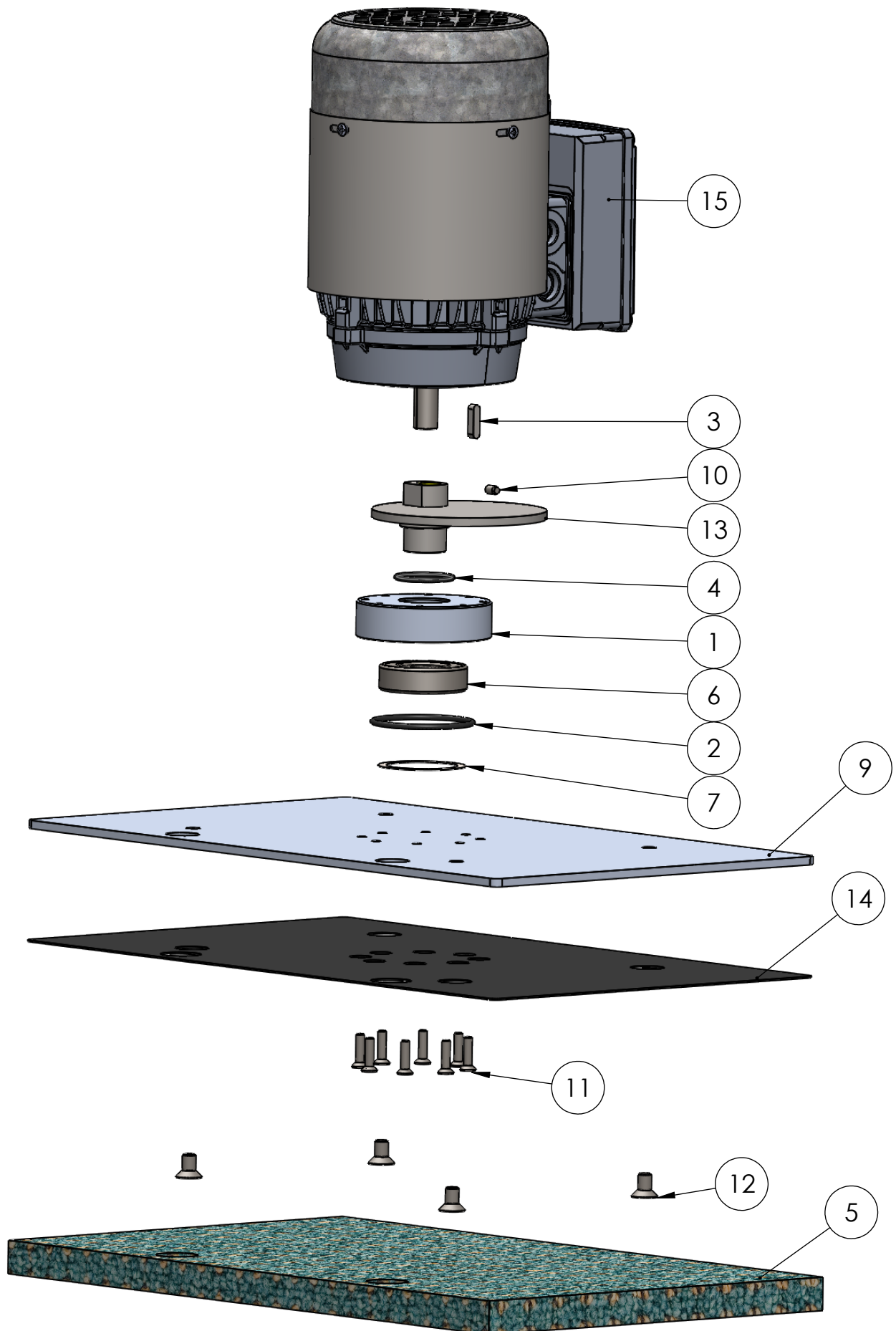


ITEM NO.	EXC. NO.	DESCRIPTION	Description ENG	QTY.
1	SUB	MOTOR+EXCENTRIEK+VOETPLAAT	MOTOR + ECCENTRIC + SCRUB PLATE	1
2	NUMATIC	STEEL NUMATIC	HANDLE NUMATIC	1
3	610005	WIEL Ø200X42 (RES)	WHEEL Ø200X42	2
4	610006	WIELDOP	HUB CUP GREY G48	2
5	650004	TRILRUBBER M8 D=40 L=40	VIBRATION DAMPER M8 40X40	4
6	608011	STERKNOP Ø40 M8	STAR KNOB Ø40 M8	2
7	X10518	T-STUK SLANGTULE Ø6	TEE FOR HOSE Ø6 MALE	1
8	800048	LEIDINGKLEM	TUBE CLAMP Ø7.9-12.7MM	5
9	X10432	90° BOCHT SLANGTULE Ø6	KNEE FOR HOSE Ø6 MALE	3
10	608002	HANDVAT ZWART	U-HANDLES BLACK	1
11	X	C14 WALL SOCKET	C14 WALL SOCKET	1
12	X10572	SINUSRING Ø17XØ8.5	DISC SPRING Ø17XØ8.5	2
13	800144	SLUITRING M6	WASHER M6	2
14	800067	SLUITRING M8 PA	WASHER M8 PA	4
15	800023	SLUITRING M8	WASHER M8	16
16	800049	MOER M8	NUT M8	4
17	800064	IMBUSSCHROEF VK M5X12	COUNTERSUNK HEAD SCREW M5X12	2
18	800111	CARROSSERIERING M5	FENDER WASHER M5	5
19	800070	IMBUSSCHROEF CK M8X20	SOCKET CAP SCREWM8X20	2
20	800041	BOUT ZK M8X12	HEX HEAD BOLT M8X12	8
21	800063	BORGMOER M5	LOCK NUT M5	5
22	800063	BORGMOER M6	LOCK NUT M6	2
23	800022	BORGMOER M8	LOCK NUT M8	8
24	800040	CARROSSERIERING M10	FENDER WASHER M10	2
25	800012	BORGMOER M10	LOCK NUT M10	2
26	801530	BOUT ZK M10X60	HEX BOLT M10X60	2
27	800190	BOUT MET FLENS ZK M06X12	HEX FLANGE BOLT M6X12	8
28	X10811	BOUT MET FLENS ZK M08X50	HEX FLANGE BOLT M8X50	4
29	801531	PASSCHROEF IMBUS M6X12-Ø8	SHOULDER SCREW M6X12-Ø8	2
30	800133	IMBUSSCHROEF BK M5X12	BUTTON HEAD SCREW M5X12	3
31	540044	40/29-45 BF 43sh M8X15/M8i	WAISTED BOBBIN	4
32	X10785	BUMPER 4025	WALL PROTECTION BUMPER 40-25	1
33	800086	TAPEIND Ø12 M8 L=70	DOUBLE THREADED ROD M8 L=67	2
34	X10740	WIELAS Ø17	WHEEL AXLE Ø17	2
35	X10742	TUSSEBUS FRAME NUMATIC	SPACER FOR THE FRAME PLATES	1
36	X10623	HOEKPROFIEL MOTORPLAAT	BRACKET FOR MOTOR PLATE	2
37	X10617	MOTORPLAAT 40-25 (36-230V)	MOTOR MOUNTING PLATE	1
38	X10622	ACHERTERPLAAT FRAME	BACK PLATE FRAME	1
39	X10658	ZIJPLAAT BRUG R NUMATIC	SIDE PLATE FRAME (R)	1
40	X10659	ZIJPLAAT BRUG L NUMATIC	SIDE PLATE FRAME (L)	1
41	X10715	MASSABLOK 10 KG 4025	MASS BLOCK 10KG	2
42	210028	SLANG Ø8X1 (1)	HOSE FOR WATER DRIP (1)	2
43	210028	SLANG Ø8X1 (2)	HOSE FOR WATER DRIP (2)	1
44	X	HAAKSE PLUG C13	ANGLE PLUG C13	1
45	205720	PAD VOOR 4025 ROOD	RED PAD 40-25	1
46	X11148	BORGBEUGEL HAAKSESTEKKER	LOCKING PLATE FOR PLUG C13	1
47	210029	SLANGTULE Ø10 MM 1/8" BUI	HOSE PILLAR Ø10MM G1/8" MALE	1
48	X10793	KNIE G1/8" BIN-BIN	KNEE G1/8" 2X FEMALE	1
49	800042	SLANGTULE Ø6 MM 1/8" BUI	HOSE PILLAR Ø6MM - G1/8" FEMALE	1
50	210028	SLANG Ø8X1 (3)	HOSE FOR WATER DRIP (3)	1

# MOTOR + EXCENTRIEK + VOETPLAAT



## 0768 EV - MOTOR + EXCENTRIEK + VOETPLAAT 230VAC R1.1

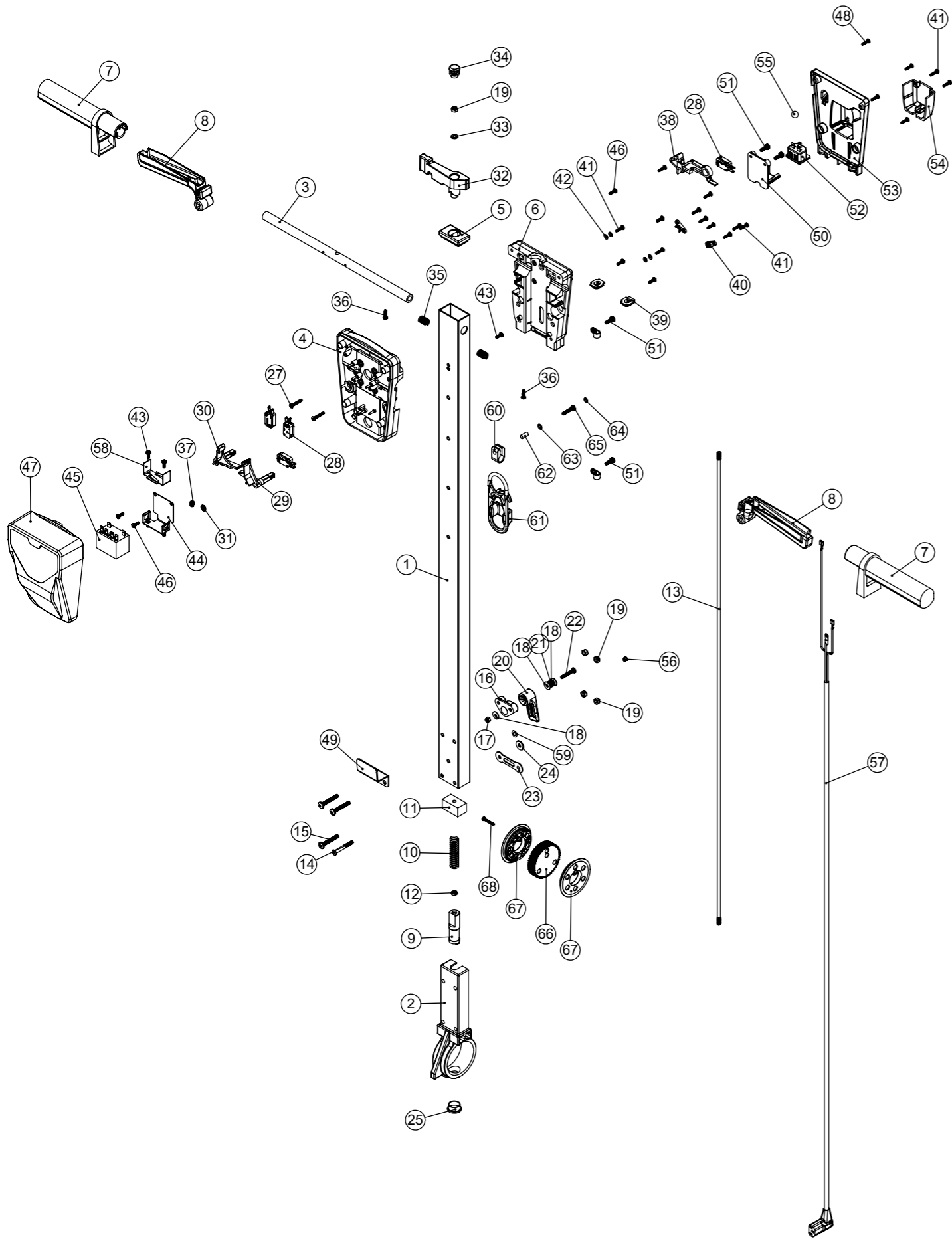
ITEM NO.	EXC. NO.	DESCRIPTION	Description ENG	QTY.
1	707018	LAGERHUIS KLEINE MACHINES	BEARING HOUSE SMALL	1
2	800054	O-RING NBR ZW 36624 56X3	O-RING Ø56X3	1
3	540011	VLAKKE INLEGSPIE 30X6X6	AXLE KEY 30X6X6	1
4	800056	O-RING NBR ZW 36624 30X3	O-RING Ø30X3	1
5	205720	PAD VOOR 4025 ROOD	RED PAD 40-25	1
6	801514	KOGELLAGER	GROOVE BALL BEARING	1
7	801515	GOLFRING 52X42X0.5	WAVE SPRING WASHER Ø52	1
8	705038	RING Ø24X14X3	WASHER Ø25X14X3	1
9	X10618	VOETPLAAT 42-25	FOOD PLATE 40-25	1
10	800104	STELSCHROEF M6X8	SOCKET SET SCREW M6X8	1
11	800183	IMBUSSCHROEF VK M5X20	COUNTERSUNK HEAD SCREW M5X20	8
12	800053	IMBUSSCHROEF VK M8X14	COUNTERSUNK HEAD SCREW M8X14	4
13	902012	EXCENTRIEK 4025 GELAST	ECCENTRIC 40-25 WELDED	1
14	X10618	PADHOUDER 4225	PAD FIXATION TAPE	1
15	540041	MOTOR 0.55KW 230VAC	MOTOR 0.55KW 230VAC	1

# Numatic International Spare Parts

Model No: HFM HANDLE EXPLODED DRAWING

NB: FOR WIRING SEE DRAWING: DRW-11789

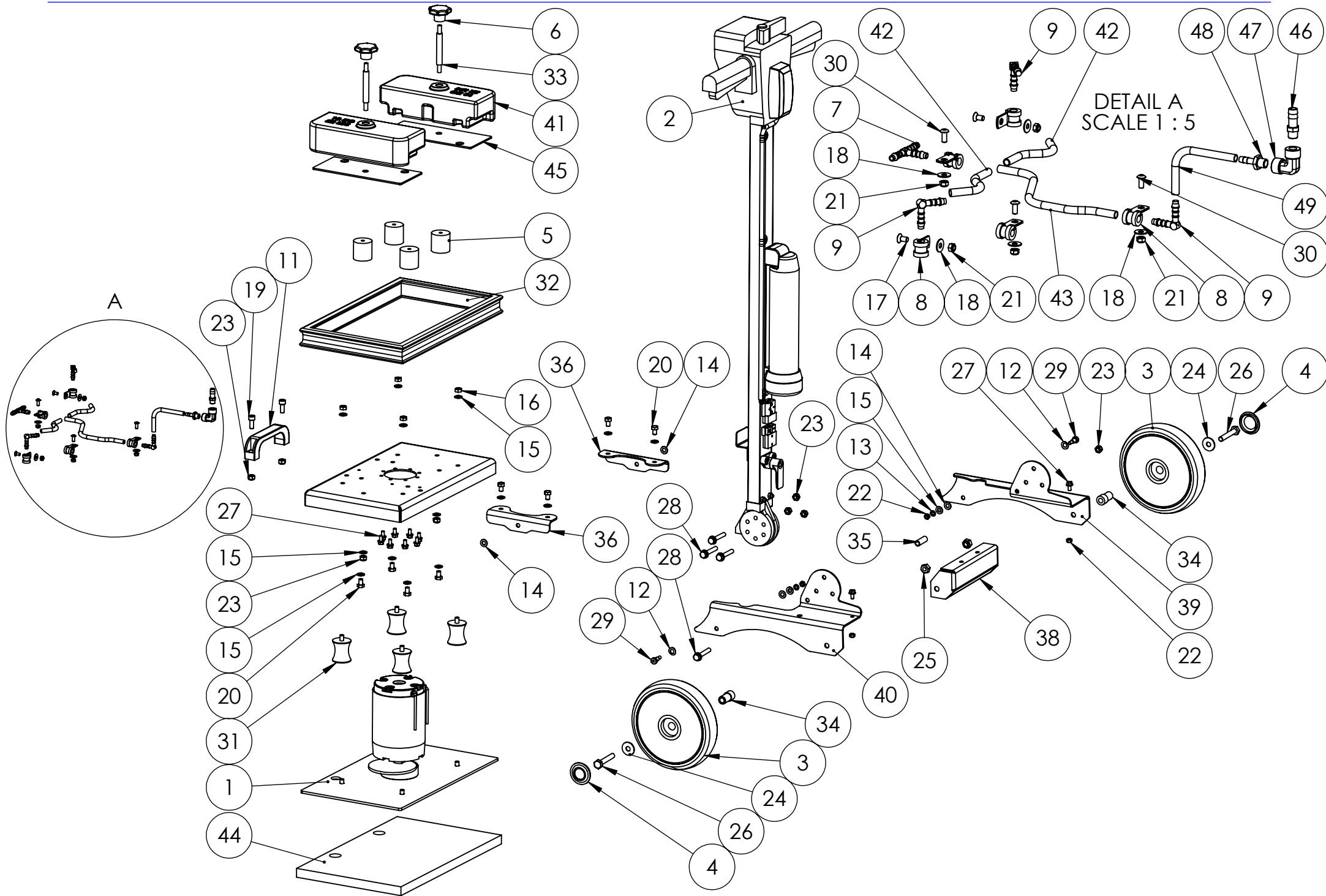
Internal Code: 234899  
DRAWING: DRW-12376 ISS:A19  
01/03/2022



# Numatic International Spare Parts

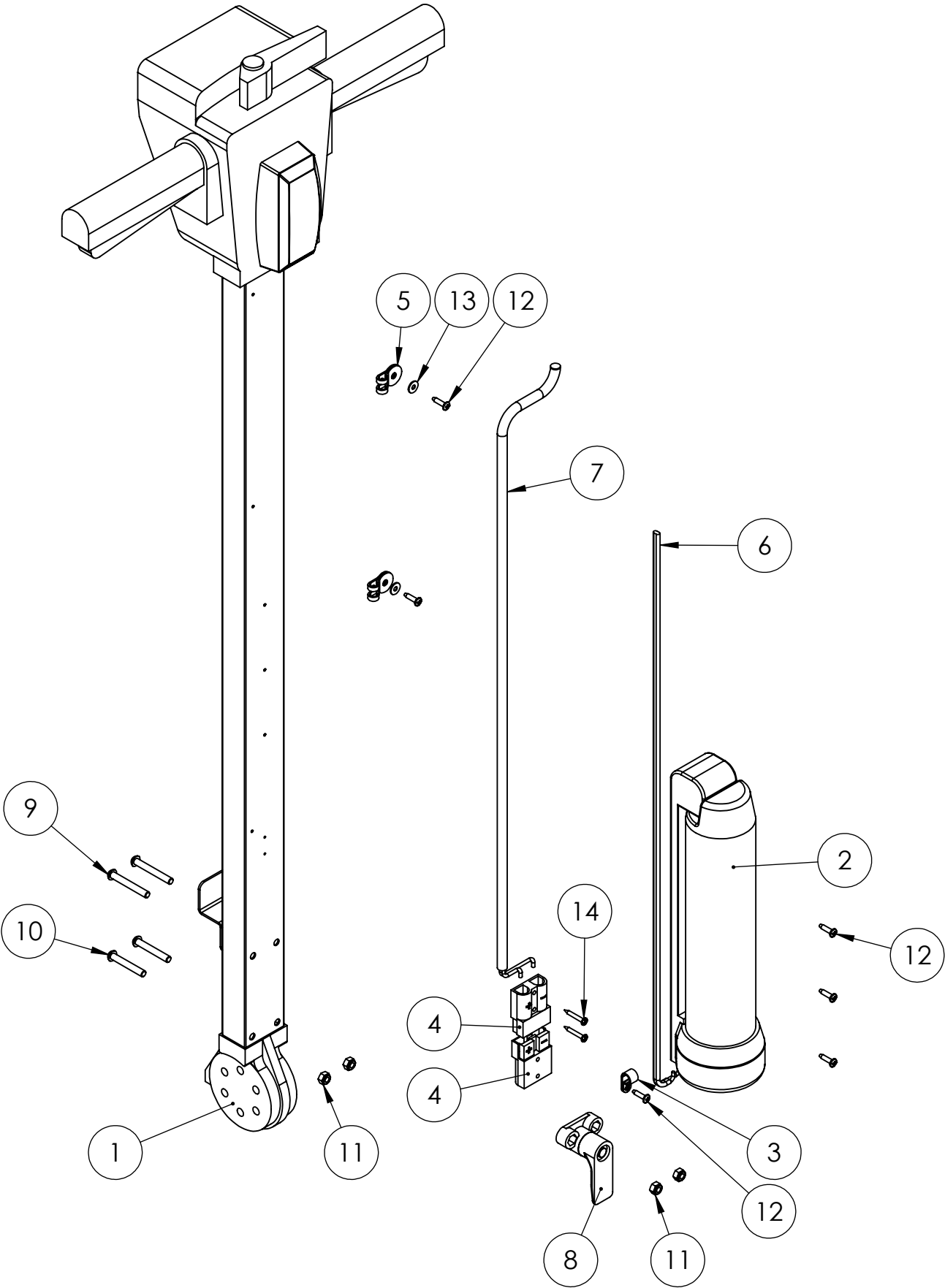
Model No: HFM HANDLE EXPLODED DRAWING

ITEM:	PART No:	DESCRIPTION	FMH HENRY MODEL USE	GREY VERSION	QTY.
1	429136	HFM HANDLE TUBE PAINTED (1025mm)			1
2	900398	HANDLE CASTING MACHINED (HNS VERSION)			1
3	338269	CROSS TUBE			1
4	227576	FRONT INNER HALF MOULDING	237542		1
5	903546	HANDLE PLUG MOULDING (RED)		227582	1
6	229509	REAR INNER HALF MOULDING (FR)	237543		1
7	227580	HAND GRIP MOULDING	237544		2
8	903547	TRIGGER MOULDING (RED)		227581	2
9	229073	GEAR LOCKING PIN			1
10	229138	SPRING			1
11	229030	ANTI VIBRATION PAD			1
12	219099	M6 HALF NUT			1
13	208432	1035MM HANDLE LOCKING ROD			1
14	219881	M6 X 45MM SOCKET BUTTON HEAD SCREW			1
15	902522	M6 X 40MM LONG SOCKET BUTTON HEAD STAINLESS STEEL BOLT			3
16	903882	CABLE RELEASE BASE MOULDING RED		227806	1
17	219076	M5 NYLON INSERT NUT			1
18	219644	M5 FORM G STAINLESS STEEL WASHER			3
19	219642	M6 STAINLESS STEEL NYLON INSERT NUT			5
20	903883	CABLE RELEASE TOP MOULDING RED		227807	1
21	206599	SPRING (REF:C5514370)			1
22	219720	M5 X 30MM LONG STAINLESS STEEL POZI PAN SCREW			1
23	229139	CABLE CLAMP			1
24	219647	M6 FORM G STAINLESS STEEL WASHER			1
25	229099	25MM DIA HOLE PLUG			1
26	219393	P CLIP			2
27	219369	No8 X 1 INCH LONG POZI PAN STAINLESS STEEL PLASTITE SCREW			2
28	229483	SNAP ACTION SWITCH			4
29	227585	LEFT HAND SWITCH OPERATING LEVER MOULDING			1
30	227586	RIGHT HAND SWITCH OPERATING LEVER MOULDING			1
31	219805	4MM SPIREFIX			1
32	903545	ADJUSTMENT LEVER MOULDING (RED)		227583	1
33	219493	M6 NYLON WASHER			1
34	20638V	19MM BLACK TUBE END STOP			1
35	219803	TRIGGER COMPRESSION SPRING			2
36	219036	No8 X 5/8 INCH LONG POZI PAN SELF TAPPING SCREW			2
37	219804	SWITCH COMPRESSION SPRING			1
38	227584	INTERLOCK LEVER MOULDING			1
39	237467	BLANKING PLUG WITH HOLE			2
40	229669	LOLINE HANDLE CABLE CLAMP			2
41	219914	NO6 X 5/8 INCH LONG POZI-PAN PLASTITE STAINLESS STEEL SCREW			8
42	219688	M4 FORM A STAINLESS STEEL WASHER			4
43	219471	M4 X 12MM LONG POZI PAN SEMS SCREW			3
44	303526	NUTSERTED RELAY MOUNTING BRACKET			1
45	206575	240V / 25A RELAY			1
46	219569	No8 X 1/2 INCH LONG POZI PAN STAINLESS STEEL PLASTITE SCREW			6
47	229679	TRADELIN TWINTEC HANDLE FRONT COVER MOULDING	237547		1
48	219370	No8 X 5/8 INCH LONG PLASTITE STAINLESS STEEL SCREW			8
49	329000	HANDLE BRACKET			1
50	237425	PTO SUPPORT MOULDING			1
51	219045	M5 X 16MM LONG POZI PAN SEMS SCREW			4
52	220964	APPLIANCE OUTPUT SOCKET			1
53	237426	FM REAR COVER MOULDING	237545		1
54	237427	FM PLUG COVER MOULDING	237546		1
55	229050	12MM (STAINLESS STEEL) BALL BEARING			1
56	229009	BLANKING PLUG			1
57	236161	HFM HANDLE CORD SET ASSEMBLY			1
58	206500	RELAY BRACKET			1
59	219560	M6 FORM B STAINLESS STEEL WASHER			1
60	219743	CABLE CLEAT			1
61	902312	CABLE STRESS RELIEF			1
62	903192	SPIROL SPACER SP100 5MM NOM ID x 14MM			1
63	219355	M5 FORM A STAINLESS STEEL WASHER			1
64	219016	M5 SHAKEPROOF WASHER			1
65	219575	M5 X 25MM LONG POZI PAN STAINLESS STEEL SCREW			1
66	900397	MINI ADJUSTMENT GEAR			1
67	900396	ADJUSTMENT GEAR SPACER			2
68	291150	NO6 X 1 INCH LONG POZI PAN SCREW S/S			1



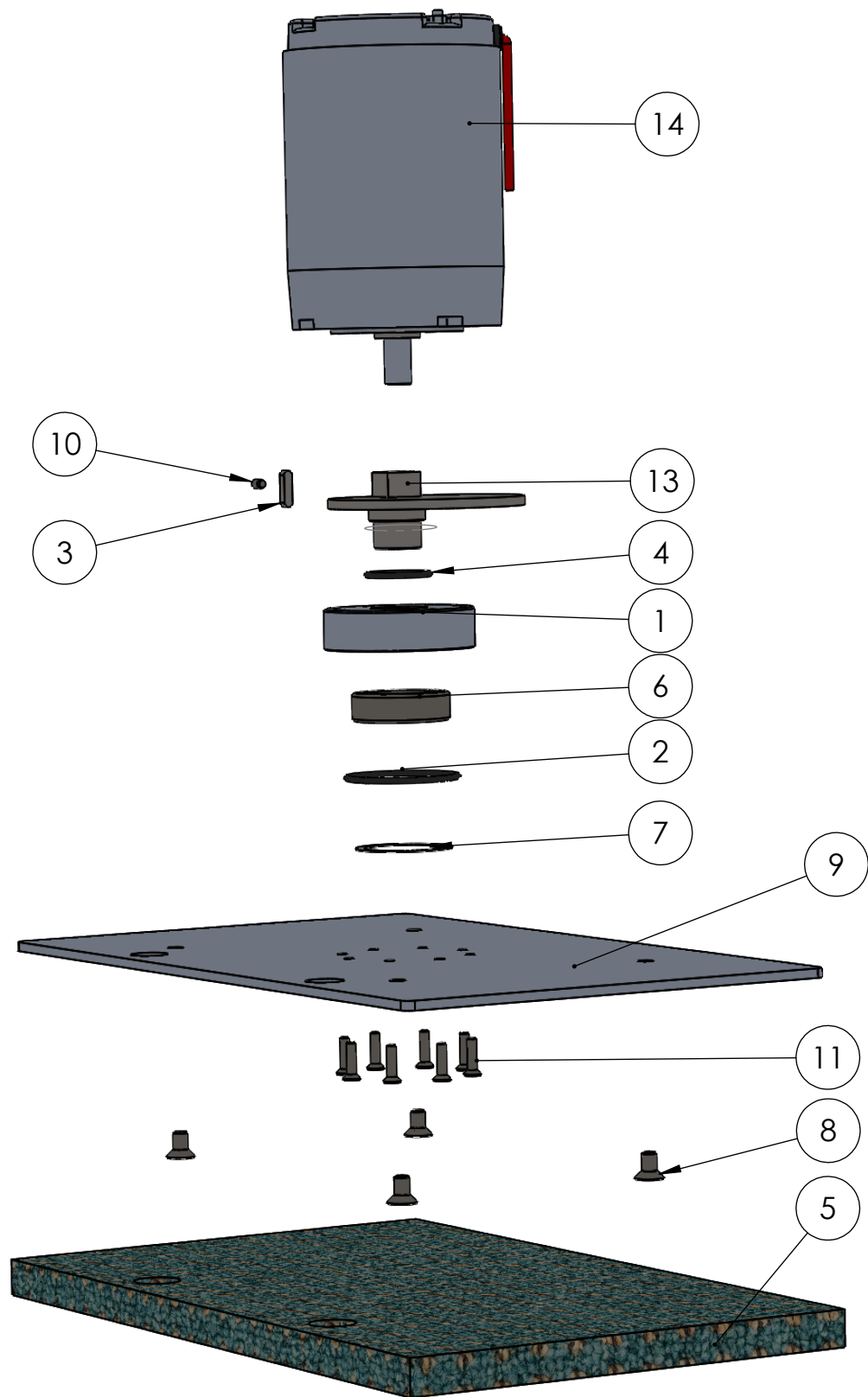
ITEM NO.	EXC. NO.	DESCRIPTION	Description ENG	QTY.
1	SUB	MOTOR+EXCENTRIEK + VOETPLAAT 4025 36VDC	MOTOR+EXENTRIC+SCRUB PLATE	1
2	X	ASS. STEEL NUMATIC 36VDC	ASSEMBLY HANDLE NUMATIC 36VDC	1
3	610005	WIEL Ø200X42 (RES)	WHEEL Ø200X42	2
4	610006	WIELDOP	HUB CUP GREY G48	2
5	650004	TRILRUBBER M8 D=40 L=40	VIBRATION DAMPER M8 40X40	4
6	608011	STERKNOP Ø40 M8	STAR KNOB Ø40 M8	2
7	X10518	T-STUK SLANGTULE Ø6	TEE FOR HOSE Ø6 MALE	1
8	800048	LEIDINGKLEM	TUBE CLAMP Ø7.9-12.7MM	5
9	X10432	90° BOCHT SLANGTULE Ø6	KNEE FOR HOSE Ø6 MALE	3
10	X	C14 WALL SOCKET	C14 WALL SOCKET	1
11	608002	HANDVAT ZWART	U-HANDLES BLACK	1
12	X10572	SINUSRING Ø17XØ8.5	DISC SPRING Ø17XØ8.5	2
13	800144	SLUITRING M6	WASHER M6	2
14	800067	SLUITRING M8 PA	WASHER M8 PA	4
15	800023	SLUITRING M8	WASHER M8	16
16	800049	MOER M8	NUT M8	4
17	800064	IMBUSSCHROEF VK M5X12	COUNTERSUNK HEAD SCREW M5X12	2
18	800111	CARROSSERIERING M5	FENDER WASHER M5	5
19	800070	IMBUSSCHROEF CK M8X20	SOCKET CAP SCREWM8X20	2
20	800041	BOUT ZK M8X12	HEX HEAD BOLT M8X12	8
21	800063	BORGMOER M5	LOCK NUT M5	5
22	800063	BORGMOER M6	LOCK NUT M6	4
23	800022	BORGMOER M8	LOCK NUT M8	8
24	800040	CARROSSERIERING M10	FENDER WASHER M10	2
25	800012	BORGMOER M10	LOCK NUT M10	2
26	801530	BOUT ZK M10X60	HEX BOLT M10X60	2
27	800190	BOUT MET FLENS ZK M06X12	HEX FLANGE BOLT M6X12	10
28	X10811	BOUT MET FLENS ZK M08X50	HEX FLANGE BOLT M8X50	4
29	801531	PASSCHROEF IMBUS M6X12-Ø8	SHOULDER SCREW M6X12-Ø8	2
30	800133	IMBUSSCHROEF BK M5X12	BUTTON HEAD SCREW M5X12	3
31	540044	40/29-45 BF 43sh M8X15/M8i	WAISTED BOBBIN	4
32	X10785	BUMPER 4025	WALL PROTECTION BUMPER 40-25	1
33	800086	TAPEIND Ø12 M8 L=70	DOUBLE THREADED ROD M8 L=67	2
34	X10740	WIELAS Ø17	WHEEL AXLE Ø17	2
35	X10742	TUSSENBUS FRAME NUMATIC	SPACER FOR THE FRAME PLATES	1
36	X10623	HOEKPROFIEL MOTORPLAAT	BRACKET FOR MOTOR PLATE	2
37	X10617	MOTORPLAAT 40-25 (36-230V)	MOTOR MOUNTING PLATE	1
38	X10622	ACHERPLAAT FRAME	BACK PLATE FRAME	1
39	X10658	ZIJPLAAT BRUG R NUMATIC	SIDE PLATE FRAME (R)	1
40	X10659	ZIJPLAAT BRUG L NUMATIC	SIDE PLATE FRAME (L)	1
41	X10715	MASSABLOK 10 KG 4025	MASS BLOCK 10KG	2
42	210028	SLANG Ø8X1 (1)	HOSE FOR WATER DRIP (1)	2
43	210028	SLANG Ø8X1 (2)	HOSE FOR WATER DRIP (2)	1
44	205720	PAD VOOR 4025 ROOD	RED PAD 40-25	1
45	650031	ONDERPLAAT GEWICHTEN 4025	WEIGHT PROTECTION PLATE 40-25	2
46	210029	SLANGTULE Ø10 MM 1/8" BUI	HOSE PILLAR Ø10MM G1/8" MALE	1
47	X10793	KNIE G1/8" BIN-BIN	KNEE G1/8" 2X FEMALE	1
48	800042	SLANGTULE Ø6 MM 1/8" BUI	HOSE PILLAR Ø6MM - G1/8" FEMALE	1
49	210028	SLANG Ø8X1 (3)	HOSE FOR WATER DRIP (3)	1

ASSEMBLY STEEL NUMATIC 36VDC





ITEM NO.	EXC. NO.	DESCRIPTION	Description ENG	QTY.
1	NUMATIC	STEEL NUMATIC	HANDLE NUMATIC	1
2	205361	ACCU 36 VDC	BATTERY 36 VDC	1
3	X	KABELKLEMMETJE Ø10	PLASTIC P CLIP Ø10	1
4	X	AANSLUITSTEKKER VDC	ANDERSON CONNECTOR	2
5	X	KABELHOUDER Ø12	KABEL CLIP Ø12	2
6	X	KABEL BATTERIJHOUDER	SUPPLY CABLE FOR BATTERY HOLDER	1
7	X	VOEDINGSKABEL MOTOR 36VDC	SUPPLY CABLE FOR MOTOR 36VDC	1
8	NUMATIC	KABEL-OPWIND-HAAK	CABLE HOOK	1
9	ISO7380 M6X45	IMBUSSCHROEF BK M6X45	BUTTON HEAD SCREW M6X45	2
10	ISO7380 M6X40	IMBUSSCHROEF BK M6X40	BUTTON HEAD SCREW M6X40	2
11	800063	BORGMOER M6	LOCK NUT M6	4
12	X10543	SCHROEF KNSTST Ø4 L=16	SCREW FOR PLASTIC Ø4X16	6
13	800137	CARROSSIERING M4	FENDER WASHER M4	2
14	X	SCHROEF KNSTST Ø3.5 L=25	SCREW FOR PLASTIC Ø3.5X25	2



## 1079 EV - MOTOR + EXCENTRIEK + VOETPLAAT 4025 36VDC R1.0

ITEM NO.	EXC. NO.	DESCRIPTION	Description ENG	QTY.
1	707018	LAGERHUIS KLEINE MACHINES	BEARING HOUSE SMALL	1
2	800054	O-RING NBR ZW 36624 56X3	O-RING Ø56X3	1
3	540011	VLAKKE INLEGSPIE 30X6X6	AXLE KEY 30X6X6	1
4	800056	O-RING NBR ZW 36624 30X3	O-RING Ø30X3	1
5	205720	PAD VOOR 4025 ROOD	RED PAD 40-25	1
6	801514	KOGELLAGER	GROOVE BALL BEARING	1
7	801515	GOLFRING 52X42X0.5	WAVE SPRING WASHER Ø52	1
8	705038	RING Ø24X14X3	WASHER Ø25X14X3	1
9	X10618	VOETPLAAT 42-25	FOOD PLATE 40-25	1
10	800104	STELSCHROEF M6X8	SOCKET SET SCREW M6X8	1
11	800183	IMBUSSCHROEF VK M5X20	COUNTERSUNK HEAD SCREW M5X20	8
12	800053	IMBUSSCHROEF VK M8X14	COUNTERSUNK HEAD SCREW M8X14	4
13	902012	EXCENTRIEK 4025 GELAST	ECCENTRIC 40-25 WELDED	1
14	540046	MOTOR 36VDC 250W	MOTOR 36VDC 250W	1