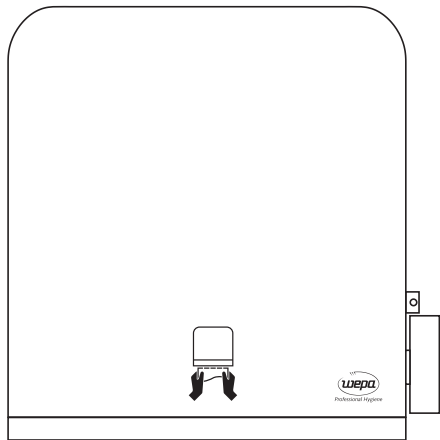


**i**

Professional Hygiene



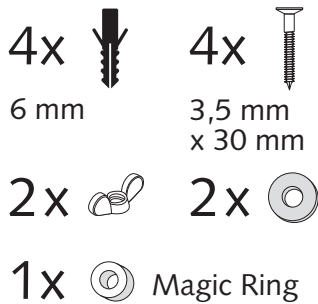
# AutoCut dispenser

AutoCut-Spender  
Distributeur AutoCut  
Dozownik AutoCut

## ASSEMBLY INSTRUCTIONS

Art. No.: **331090.3**

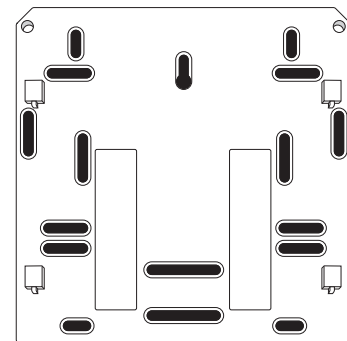
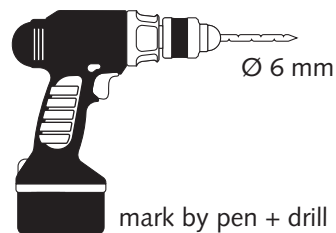
### Supplied



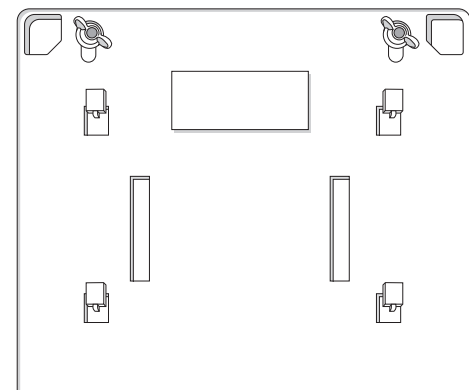
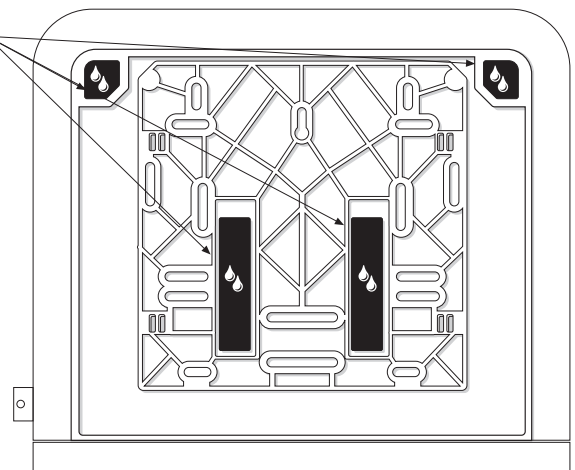
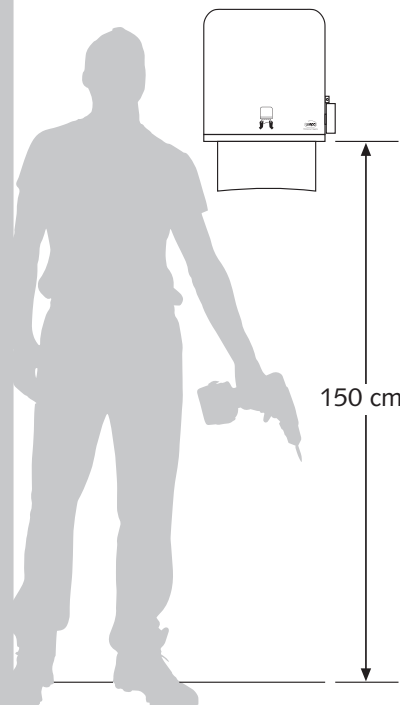
### Needed tools



### Assembly plate



### Preferred distance



hang and fix (inside)

For a problem-free operation  
use only WEPA Professional  
OEM consumables

[www.wepa-professional.de](http://www.wepa-professional.de)



**i**

# AutoCut dispenser

## ASSEMBLY INSTRUCTIONS

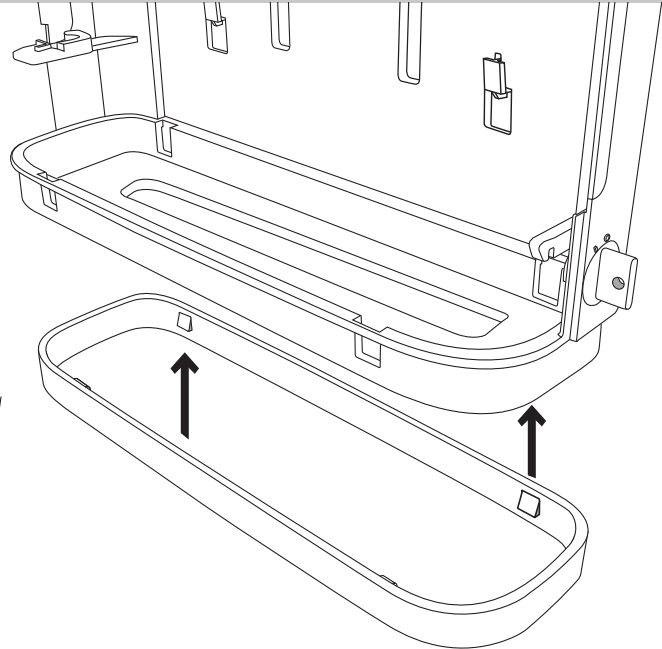
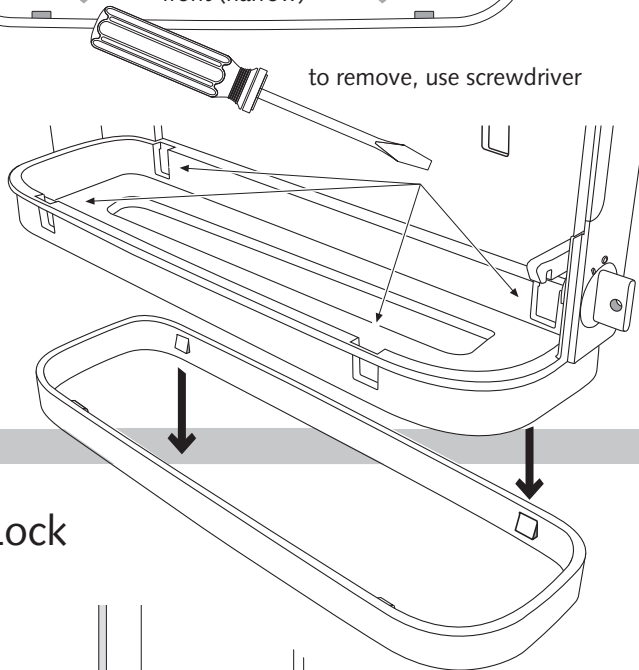
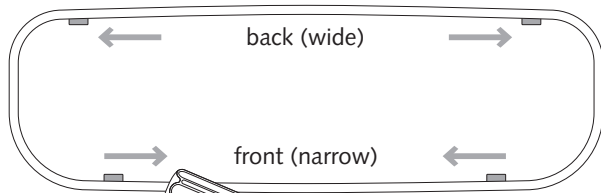


Professional Hygiene

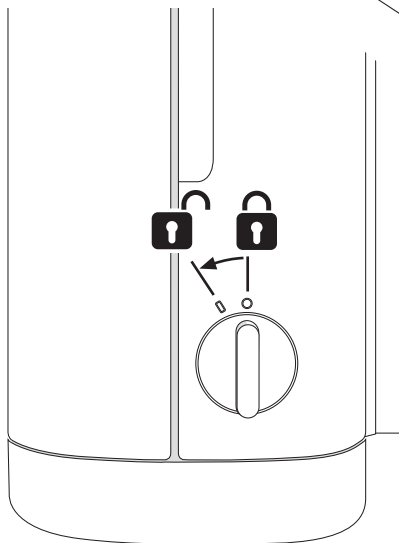


Art. No.: 331090.3

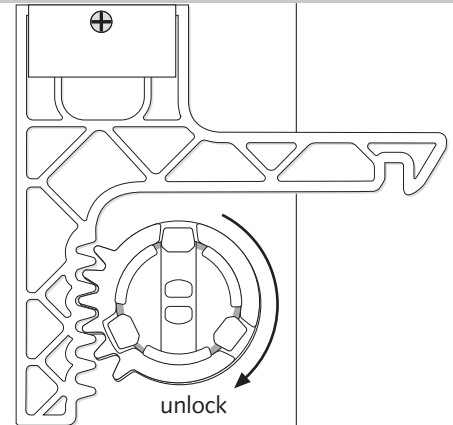
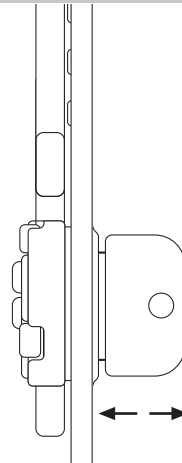
### design-ring



### Key-Lock

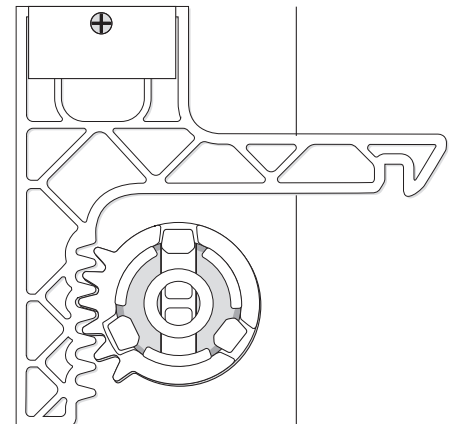
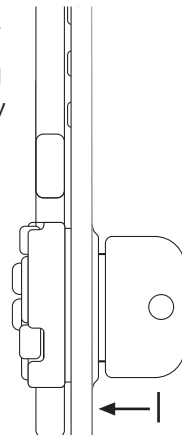
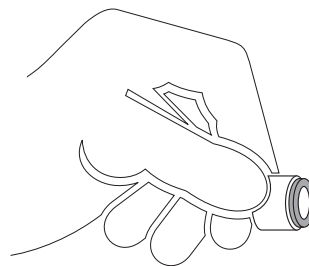


#### Standard Lock



#### Permanent Key

adjust Magic Ring with red side in front to lock the key





# AutoCut dispenser

## ASSEMBLY INSTRUCTIONS

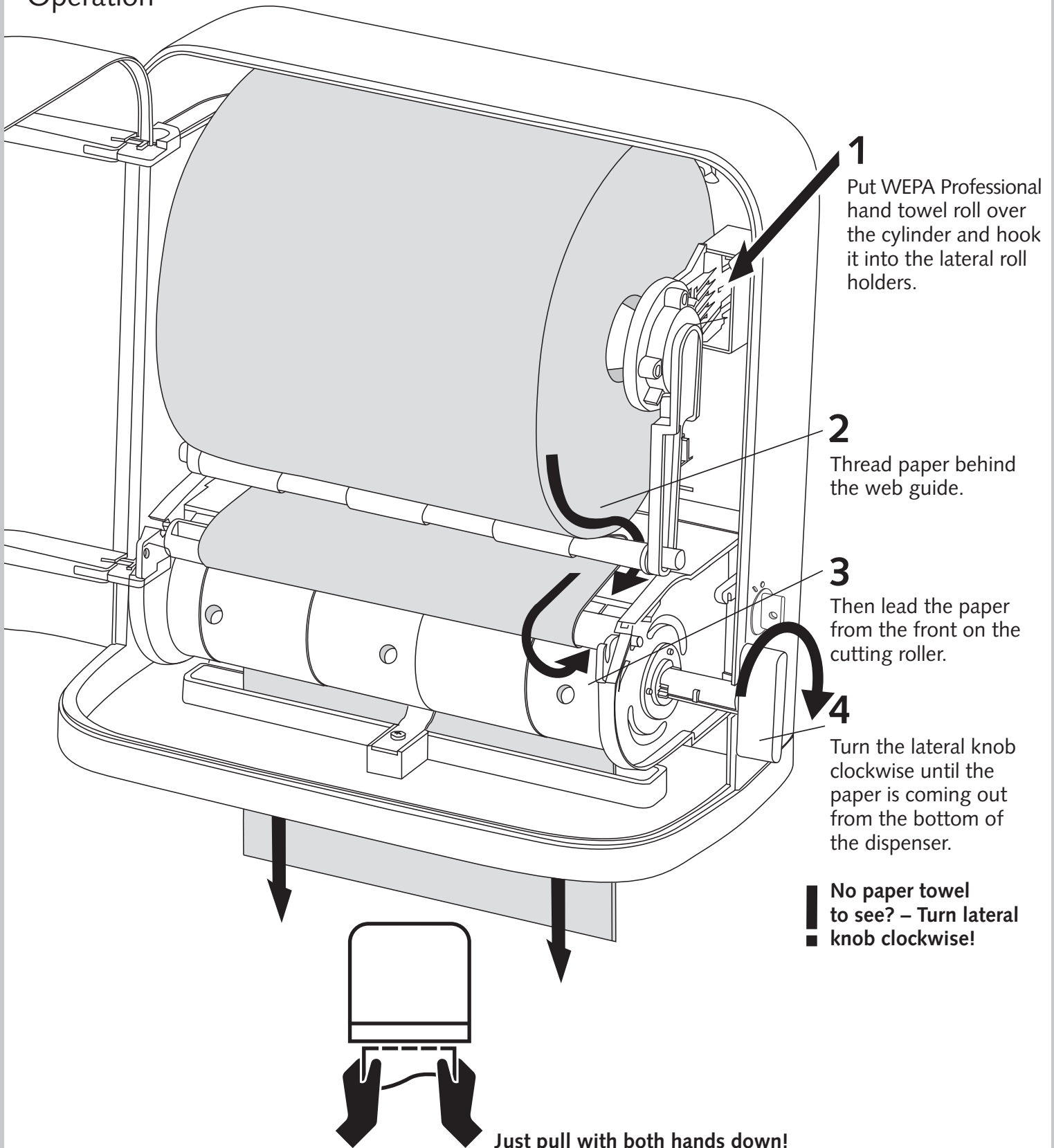


Professional Hygiene



Art. No.: 331090.3

### Operation



**1** Put WEPA Professional hand towel roll over the cylinder and hook it into the lateral roll holders.

**2** Thread paper behind the web guide.

**3** Then lead the paper from the front on the cutting roller.

**4** Turn the lateral knob clockwise until the paper is coming out from the bottom of the dispenser.

**■** No paper towel to see? – Turn lateral knob clockwise!

**Just pull with both hands down!**