



H.P.C. DAKOTA-R 1509XP M GREY 230/50 -LAVOR- PROF.

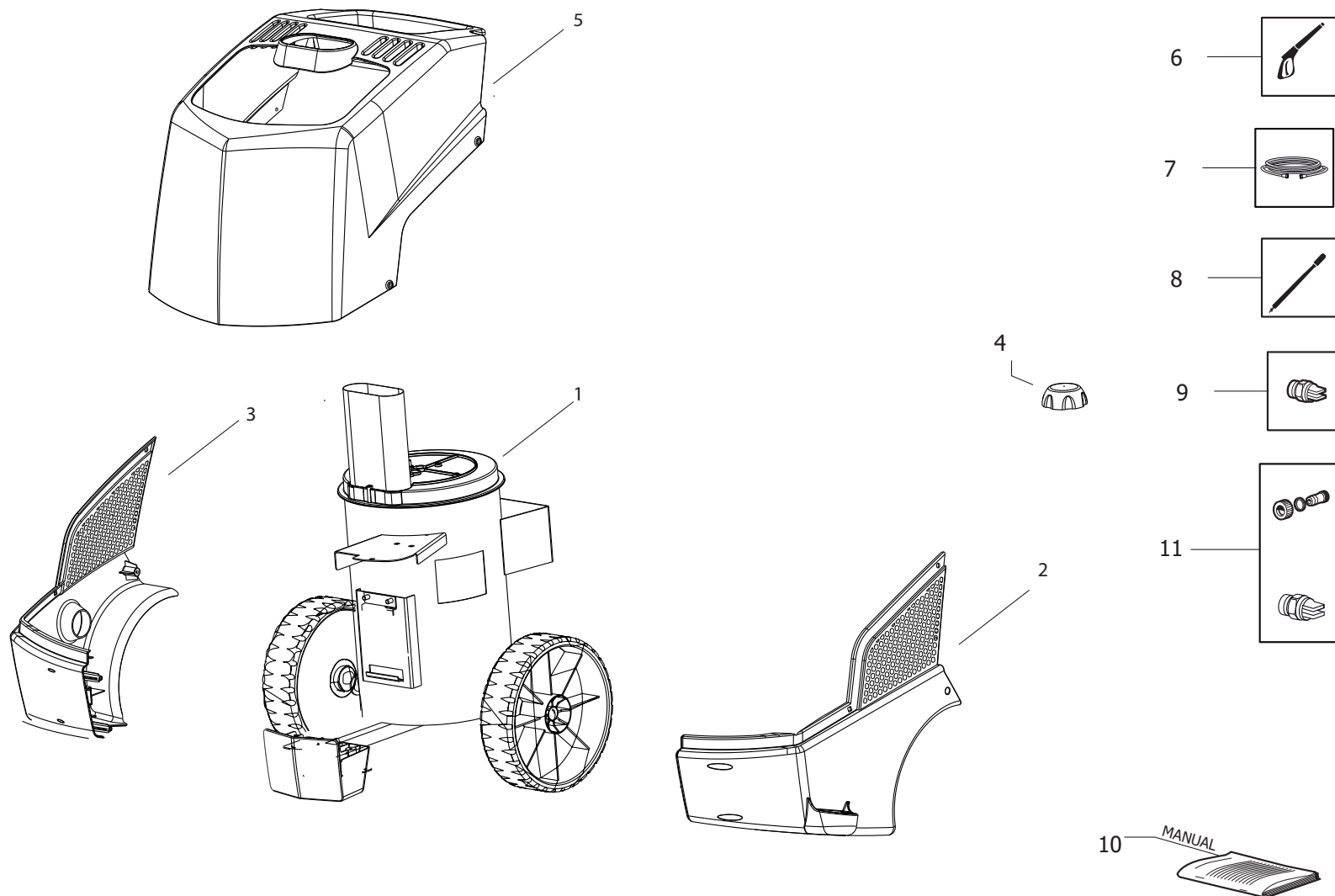
Content filters: validity 26/10/2020

26/10/2020

8.633.0107 - H.P.C. DAKOTA-R 1509XP M GREY 230/50 -LAVOR- PROF.....	3
R86330107 - IDRO DAKOTA-R 1509XP M 230/50 -GR.CH.- (SP.SCHUKO) -LAVOR PROF.-.....	4
R8633X011 - IDRO DAKOTA-R 1509XP 230/50 2P B.D.F.....	6
R56010671 - MOTOPOMPA LWM 230/50 2P 135 H125 8Â° TS X DAKOTA-R.....	9
R50070063 - CORPO GUIDA PIST.D.15 CER.BEST C/ALETT. C/SPIA.....	11
R50080303 - TESTATA OTT.'99 INIET.D.1,9 TS X IDRO A CALDO X DAKOTA-R.....	13
R56060145 - MOTORE LWM 230-240V/50Hz D.135 2P H125 X LMX (CENTR.MASCHIO).....	15
R56090252 - FLANGIA ANTERIORE MOTORE 135 X CORPO GUIDA ALETT. (BORDO FEMMINA).....	17
R56090341 - CORPO BULBO TERMOSTATO RAC.GIR.1/2 + USC.M22.....	19
R56110255 - ASSIEME CRUSCOTTO TEXAS-R/DAKOTA-R MONOF.16A (TAMP. -EN-).....	21
R56110259 - ASSIEME COPERCHIO CALDAIA C/UG.1,00 TEXAS-R/DAKOTA-R.....	23
R56110270 - ASSIEME POMPA ULKA 230/50 PER DAKOTA-R/TEXAS-R.....	25
R50090304 - ASSIEME VALVOLA REGOLAZIONE PRESSIONE X POMPA ULKA (MOLLA L=20).....	27
R56110272 - ASSIEME SCATOLA EL.+TLR CABLATO DAKOTA-R (MONOFASE).....	29
8.633.X011 - IDRO DAKOTA-R 1509XP 230/50 2P B.D.F.....	31

Pos.	Code	Description
0	R86330107	IDRO DAKOTA-R 1509XP M 230/50 -GR.CH.- (SP.SCHUKO) -LAVOR PROF.-

D86330001/01



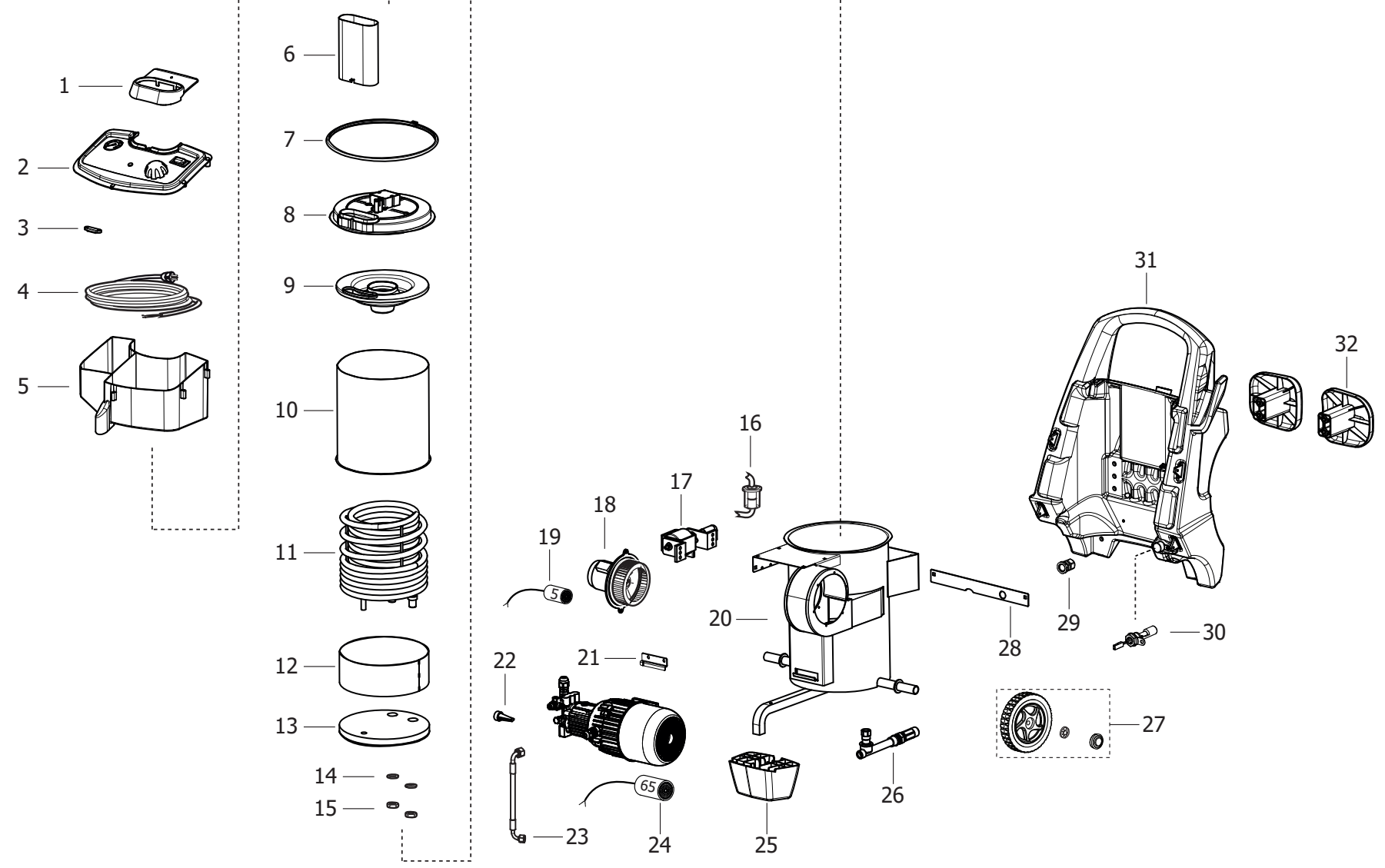
H.P.C. DAKOTA-R 1509XP M GREY 230/50 -LAVOR- PROF. - Content filters: validity 26/10/2020

R86330107 - IDRO DAKOTA-R 1509XP M 230/50 -GR.CH.- (SP.SCHUKO) -LAVOR PROF.-

Validity: from 27/10/2016 to 31/12/9999

Pos.	Code	Substituted by	Q.ty	Purchasable	Min. Q.ty	For mainten.	Description
0	R8633X011		1	No			IDRO DAKOTA-R 1509XP 230/50 2P B.D.F.
001	8.633.X011		1	No			IDRO DAKOTA-R 1509XP 230/50 2P B.D.F.
002	4.613.0330		1	Yes	1		FRONT LEFT COVER -BLACK-
003	4.613.0224		1	Yes	1		BLACK FRONT RIGHT COVER DAKOTA-R
004	4.608.0180		2	Yes	1		TANK CAP
005	4.613.0343		1	Yes	1		GREY UPPER COVER TEXAS-R/DAKOTA-R
006	3.700.0030		1	Yes	1	EXT	GUN AL55
007	4.618.0049		1	Yes	1	EXT	HOSE R1 1/4 8MT 3/8F-M22 (MAX 21MPa)
008	3.701.0015		1	Yes	1	EXT	LANCE INOX L.700 +PL4/1+WASHER+ QUICK CONN.M22
010	7.700.0483		1	Yes	1		MANUAL TEXAS-R/DAKOTA-R LAVOR
011	5.612.0045		1	No			NOZZLE SET 15030 + INLET JOINT

D8633X011/01



H.P.C. DAKOTA-R 1509XP M GREY 230/50 -LAVOR- PROF. - Content filters: validity 26/10/2020

R8633X011 - IDRO DAKOTA-R 1509XP 230/50 2P B.D.F.

Validity: from 03/11/2016 to 31/12/9999



Pos.	Code	Substituted by	Q.ty	Purchasable	Min. Q.ty	For mainten.	Description
0	R56010671		1	No			MOTOPOMPA LWM 230/50 2P 135 H125 8Â° TS X DAKOTA-R
0	R56090341		1	No			CORPO BULBO TERMOSTATO RAC.GIR.1/2 + USC.M22
0	R56110255		1	No			ASSIEME CRUSCOTTO TEXAS-R/DAKOTA-R MONOF.16A (TAMP. -EN-)
0	R56110259		1	No			ASSIEME COPERCHIO CALDAIA C/UG.1,00 TEXAS-R/DAKOTA-R
0	R56110270		1	No			ASSIEME POMPA ULKA 230/50 PER DAKOTA-R/TEXAS-R
0	R56110272		1	No			ASSIEME SCATOLA EL.+TLR CABLATO DAKOTA-R (MONOFASE)
001	4.607.0896		1	Yes	1		INOX SHEET PROTECTION FOR CHIMNEY (DAKOTA-R)
002	5.611.0255		1	Yes	1		ASSIEME CRUSCOTTO TEXAS-R/DAKOTA-R MONOF.16A (TAMP. -EN-)
003	4.608.0408		1	Yes	1		MAINPOWER CABLE HOLDER FOR TEXAS ELECTRICAL BOX
004	4.012.0292		1	Yes	1		CABLE H05VV-F 3X1,5 MT.6,4 F/F SCHUKO PLUG
005	5.611.0272		1	Yes	1		ASSIEME SCATOLA EL.+TLR CABLATO DAKOTA-R (MONOFASE)
006	4.607.0692		1	Yes	1		CHIMNEY EXTENSION
007	3.099.1642		1	Yes	1		FASCIA ALZ/315/G8 FISS. COP. NUOVA COMPACT
008	5.611.0259		1	Yes	1		BOILER COVER ASSEMBLY DAKOTA-R (NOZZLE D.1.00)
009	5.613.0321		1	Yes	1		INNER CHIMNEY COVER
010	5.613.0335		1	Yes	1		INNER BOILER BODY - COMPACT-TEXAS -PAINT.-
011	4.604.0036		1	Yes	1		BOILER COIL
012	4.607.0711		1	Yes	1		COIL FIXING BAND 100x270
013	4.608.0488		1	Yes	1		REFRACTORY STONE D.275X20
014	3.004.0015		2	Yes	1		PLAIN WASHER D.22X39X3 UNI6592
015	4.606.0013		2	Yes	1		COIL FIXING NUT 1/2 BRASS SPE C.
016	5.611.0258		1	Yes	1	EXT	GAS OIL FILTER UNIT
017	5.611.0270		1	Yes	1		ASSIEME POMPA ULKA 230/50 PER DAKOTA-R/TEXAS-R
018	3.300.0028		1	Yes	1		ELECTROMOTOR 230-240V 50HZ 180W
019	3.404.0097		1	Yes	1		CAPACITOR 5mF 450V 50/60Hz
020	5.613.0394		1	Yes	1		EXTERNAL BOILER BODY -DAKOTA-R - PAINTED-
021	4.607.0875		1	Yes	1		BRACKET FOR MOTOR
022	4.008.0031		1	Yes	1	ORD	INLET WATER FILTER H2O D.16 CONICAL
023	4.618.0189		1	Yes	1	EXT	HOSE H/P 1/2G 90 DEG.-3/8
024	3.404.0007		1	Yes	1		CAPACITOR 65mF 450V D.50XL120 W/WIRES AND FASTON MALE
025	4.608.0464		1	Yes	1		FRONT SUPPORT FOR CHASSIS

H.P.C. DAKOTA-R 1509XP M GREY 230/50 -LAVOR- PROF. - Content filters: validity 26/10/2020



R8633X011 - IDRO DAKOTA-R 1509XP 230/50 2P B.D.F.

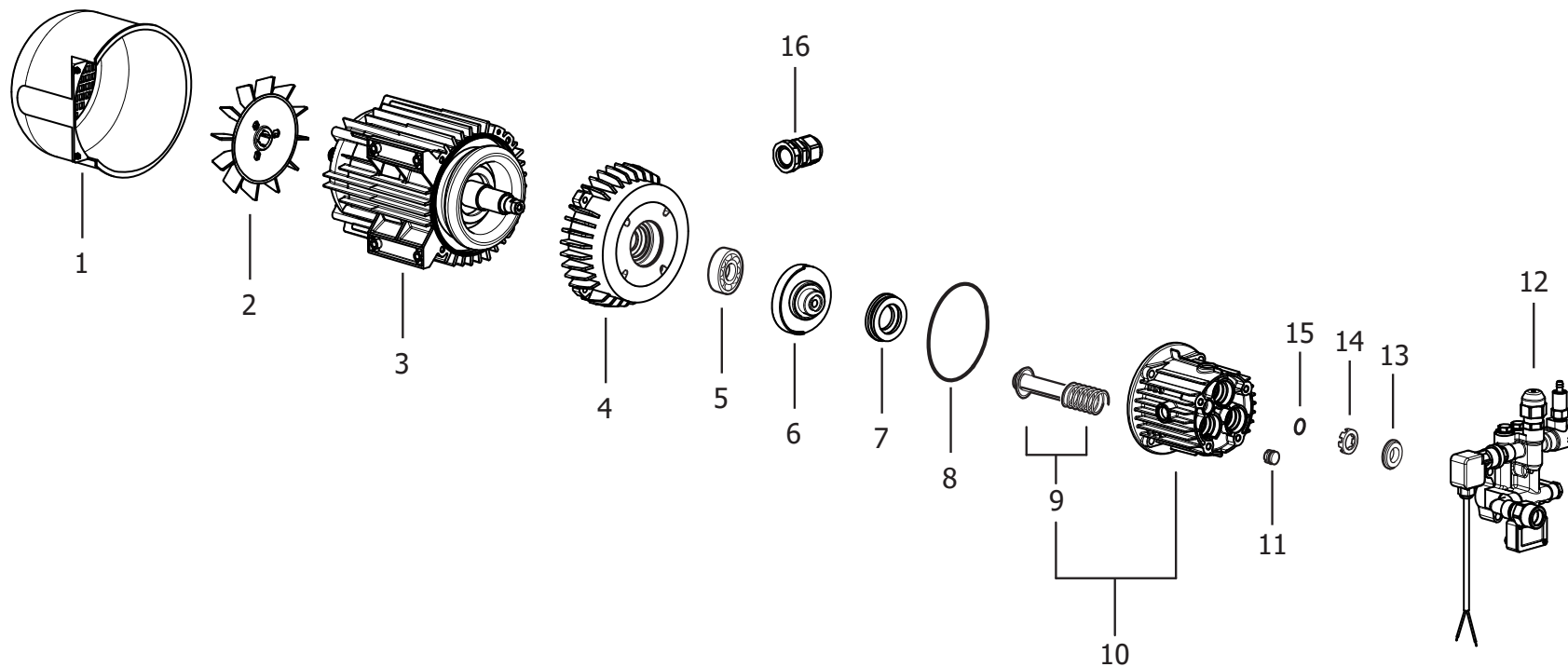
Validity: from 03/11/2016 to 31/12/9999

26/10/2020

Page 7 / 31

Pos.	Code	Substituted by	Q.ty	Purchasable	Min. Q.ty	For mainten.	Description
026	5.609.0341		1	Yes	1		CORPO BULBO TERMOSTATO RAC.GIR.1/2 + USC.M22
027	6.605.0222		1	Yes	1		WHEELS+COVERS KIT
028	4.607.0877		1	Yes	1		SUPPORT FOR CABLE HOLDER
029	3.406.0022		1	Yes	1		CABLE HOLDER PG.16
030	3.403.0110		1	Yes	1	EXT	SENSOR FOR GAS-OIL LEVEL + CONNECTOR
031	4.608.0402	6.605.0177	1	Yes	1		TANK WITH CAP NEW COMPACT
032	4.613.0331		2	Yes	1		HOSE/CABLE SUPPORT

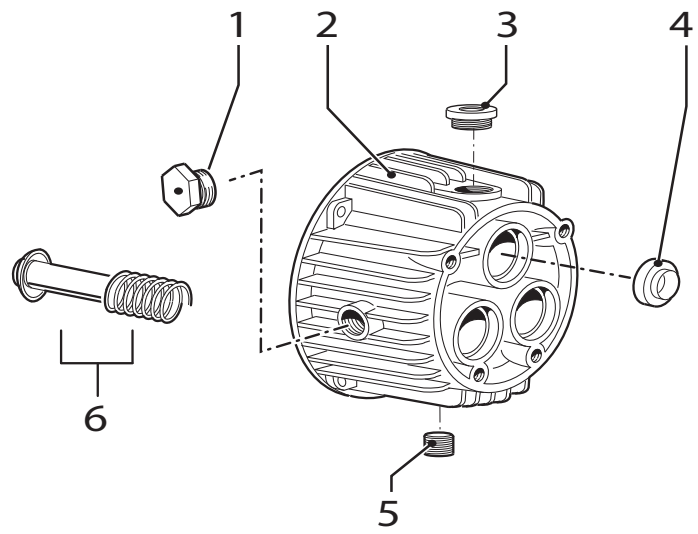
D56010671/01



H.P.C. DAKOTA-R 1509XP M GREY 230/50 -LAVOR- PROF. - Content filters: validity 26/10/2020

Pos.	Code	Substituted by	Q.ty	Purchasable	Min. Q.ty	For mainten.	Description
0	R50070063		1	No			CORPO GUIDA PIST.D.15 CER.BEST C/ALETT. C/SPIA
0	R50080303		1	No			TESTATA OTT.'99 INIET.D.1,9 TS X IDRO A CALDO X DAKOTA-R
0	R56060145		1	No			MOTORE LWM 230-240V/50Hz D.135 2P H125 X LMX (CENTR.MASCHIO)
0	R56090252		1	No			FLANGIA ANTERIORE MOTORE 135 X CORPO GUIDA ALETT. (BORDO FEMMINA)
001	4.608.0088		1	Yes	1		MOTOR FAN COVER D.135
002	3.099.0108		1	Yes	1		FAN 90V3 WITH CONNECT+WASHER
003	5.606.0145		1	Yes	1		MOTOR LWM 230-240V/50Hz D.135 2P H125 (MALE BALANCING)
004	5.609.0252		1	Yes	1		FRONT FLANGE FOR MOTOR 135
005	3.001.0029		1	Yes	1		BEARING
006	4.605.0075		1	Yes	1		PLATE 8'30
007	4.607.0208		1	Yes	1		AXIAL BEARING
008	3.200.0002		1	Yes	1		O-RING GASKET 90X2,5
009	6.005.0032		1	Yes	1	EXT	KIT 30 PISTON D.15 BRASS HEAD '99
010	5.007.0063		1	Yes	1		CERAMIC PISTON BODY GUIDE
011	5.009.0207		1	Yes	1		CAP ASSY
012	5.008.0303		1	Yes	1		BRASS HEAD '99 INIET.D.2,1 TS X HOT HIGH PRESSURE CLEANER
013	6.005.0119		1	Yes	1	EXT	KIT 110 LW PISTON BUSHING FOR BRASS HEAD
014	4.008.0391		3	Yes	1		OIL SEAL SPACER
015	3.200.0004		3	Yes	1		O-RING GASKET 12,4X1,78 REF.20 50
016	3.406.0020		1	Yes	1		TIGHT ANTI-TEARING CABLE HOLDER PG.13,5

D50070063/01



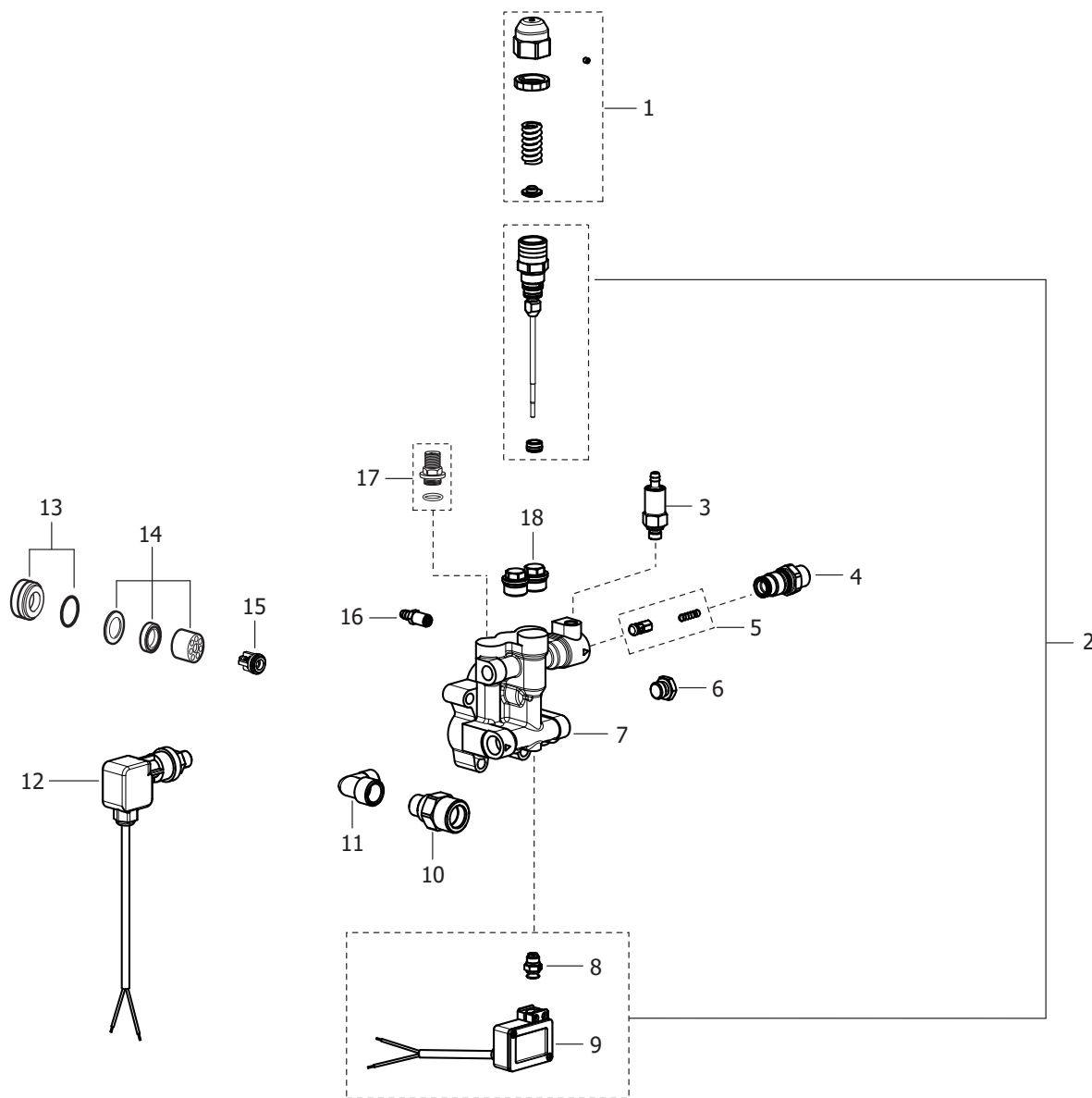
H.P.C. DAKOTA-R 1509XP M GREY 230/50 -LAVOR- PROF. - Content filters: validity 26/10/2020

R50070063 - CORPO GUIDA PIST.D.15 CER.BEST C/ALETT. C/SPIA

Validity: from 17/10/2019 to 31/12/9999

Pos.	Code	Substituted by	Q.ty	Purchasable	Min. Q.ty	For mainten.	Description
001	3.099.0003		1	Yes	1		OIL LEVEL INDICATOR SLNS-3/8 H OBBY
002	5.009.0094		1	Yes	1		BODY GUIDE ASSY
003	3.099.0301		1	Yes	1		OIL CAP ZIGRIN. WITH HOLEGOLD
004	6.005.0006		1	Yes	1	ORD	KIT 5 OIL GASKETS
005	3.002.0004		1	Yes	1		SCREW STEI 3/8 G.DIN 906 (OIL LOAD CAP)
006	6.005.0032		1	Yes	1	EXT	KIT 30 PISTON D.15 BRASS HEAD '99

D50080303/01



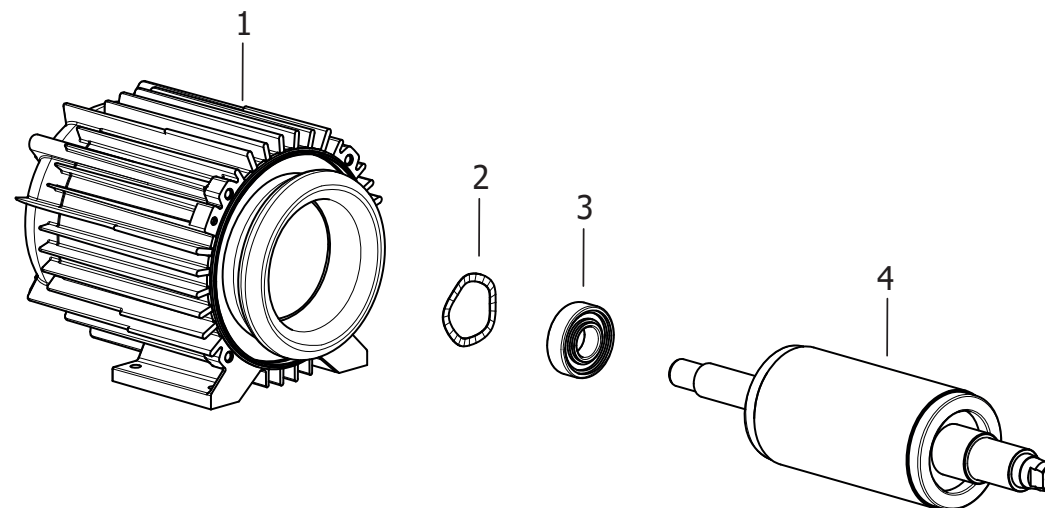
H.P.C. DAKOTA-R 1509XP M GREY 230/50 -LAVOR- PROF. - Content filters: validity 26/10/2020

R50080303 - TESTATA OTT.'99 INIET.D.1,9 TS X IDRO A CALDO X DAKOTA-R

Validity: from 17/10/2019 to 31/12/9999

Pos.	Code	Substituted by	Q.ty	Purchasable	Min. Q.ty	For mainten.	Description
001	6.005.0120		1	Yes	1	EXT	KIT 111 PRESSURE REGULATOR FOR BRASS HEAD
002	6.005.0129		1	Yes	1	EXT	KIT 120 LW BY-PASS COMPLET BRASS HEAD '99 TS
003	5.609.0260		1	Yes	1		MAX PRESSURE VALVE 250BAR 1/8
004	5.609.0079		1	Yes	1		OUTLET COUPLING FOR BRASS HEAD
005	6.005.0071		1	Yes	1	EXT	KIT 71 LW
006	4.606.0001		1	Yes	1		1/4G CAP
007	4.606.0085		1	Yes	1		BRASS HEAD
008	5.609.0158		1	Yes	1		ASSEMBLY CONNECTOR 1/8 G + CAP M7 TS
009	5.609.0107		1	Yes	1		BOX+MICRO+CABLE 3X1 FOR TS BRASS HEAD '99
010	4.606.0308		1	Yes	1		INLET CONNECTION 3/4M-3/8M (TH.6.5)
011	3.100.0033		1	Yes	1		ELBOW M/F 3/8 OT
012	3.704.0009		1	Yes	1		PRESSURE SWITCH PS2 1/4M 25BAR
013	6.005.0119		1	Yes	1	EXT	KIT 110 LW PISTON BUSHING FOR BRASS HEAD
014	6.005.0118		1	Yes	1	ORD	KIT 109 WATER O-RINGS
015	6.005.0117		1	Yes	1	ORD	KIT 108 VALVES
016	5.609.Y154		1	Yes	1		KIT HOSE HOLDER DETERG.SUCTION D.1 (spring L=7 wire D.0.4-ball D.5.5)
017	5.609.0064		1	Yes	1		VALVE CAP ASSY + OR
018	6.005.0020		1	Yes	1	ORD	KIT 23 LAVOR

D56060145/01

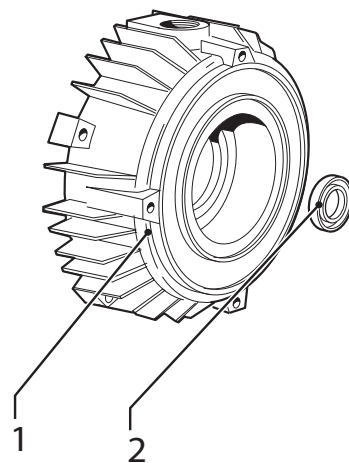


H.P.C. DAKOTA-R 1509XP M GREY 230/50 -LAVOR- PROF. - Content filters: validity 26/10/2020

R56060145 - MOTORE LWM 230-240V/50Hz D.135 2P H125 X LMX (CENTR.MASCHIO)

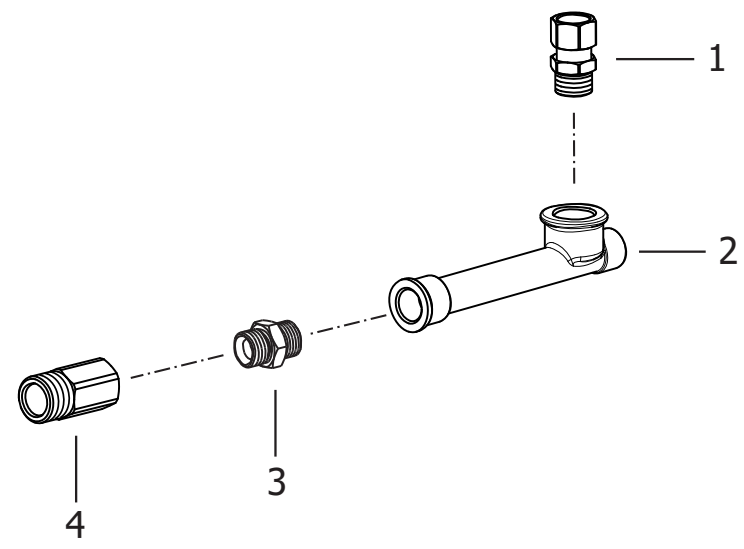
Validity: from 17/10/2019 to 31/12/9999

Pos.	Code	Substituted by	Q.ty	Purchasable	Min. Q.ty	For mainten.	Description
001	5.602.0064		1	Yes	1		CARCASSA LW.M 230-240V/50Hz 2P D.135 H.125 (CENTR. MASCHIO)
002	3.099.0002		1	Yes	1		UNLOADING RING 40X47
003	3.001.0001		1	Yes	1		BALL RADIAL BEARING 6204-2Z
004	5.605.0030		1	No			ROTOR SHAFT D.70 H125 X MOT. D.135



Pos.	Code	Substituted by	Q.ty	Purchasable	Min. Q.ty	For mainten.	Description
001	4.605.0117		1	Yes	1		FLANGE FOR MOTOR D.135 (FEMALE EDGE)
002	3.201.0019		1	Yes	1		OIL SEAL RING D.25X40X7 DOUBLE LIP

D56090341/01



H.P.C. DAKOTA-R 1509XP M GREY 230/50 -LAVOR- PROF. - Content filters: validity 26/10/2020

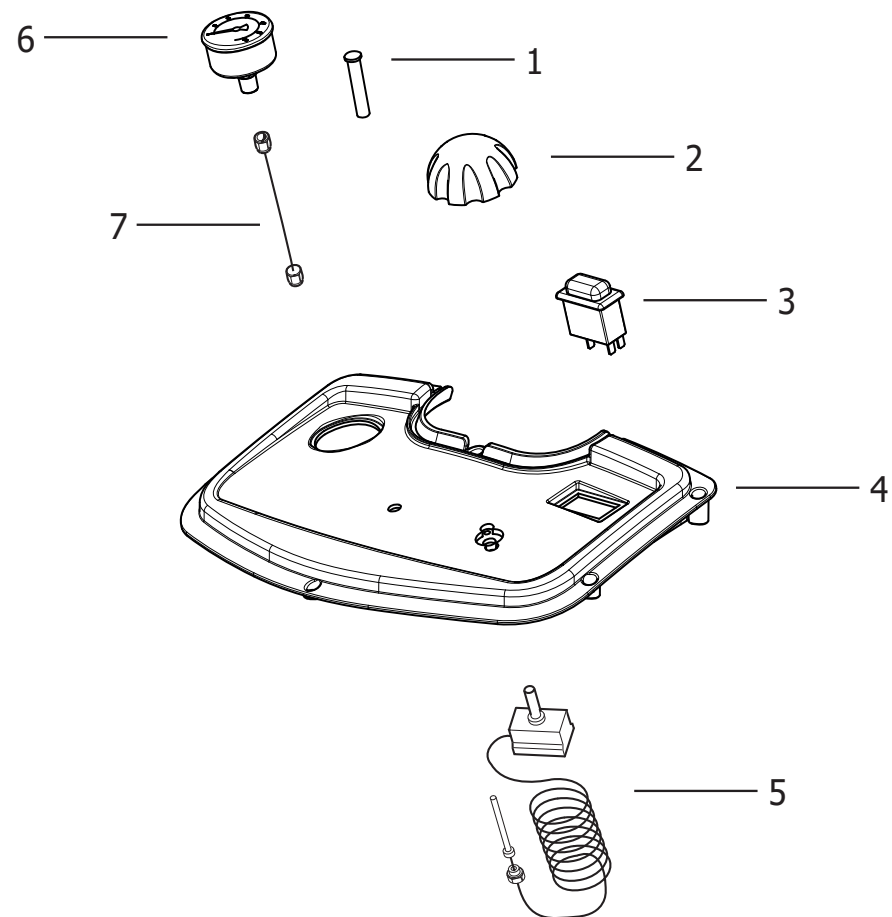
R56090341 - CORPO BULBO TERMOSTATO RAC.GIR.1/2 + USC.M22

Validity: from 17/10/2019 to 31/12/9999



Pos.	Code	Substituted by	Q.ty	Purchasable	Min. Q.ty	For mainten.	Description
001	3.100.0026		1	Yes	1		NIPPLE M/F.REVOLVING GAS FIL.1 /2
002	4.606.0087		1	Yes	1		BULB ASSY
003	3.100.0023		1	Yes	1		NIPPLE 3/8 CIL.SV. 3/8 CIL.SV
004	4.006.0025		1	Yes	1		HOSE FITTING OMNIA MEDIUM TYPE M22 D.15

D56110255/01

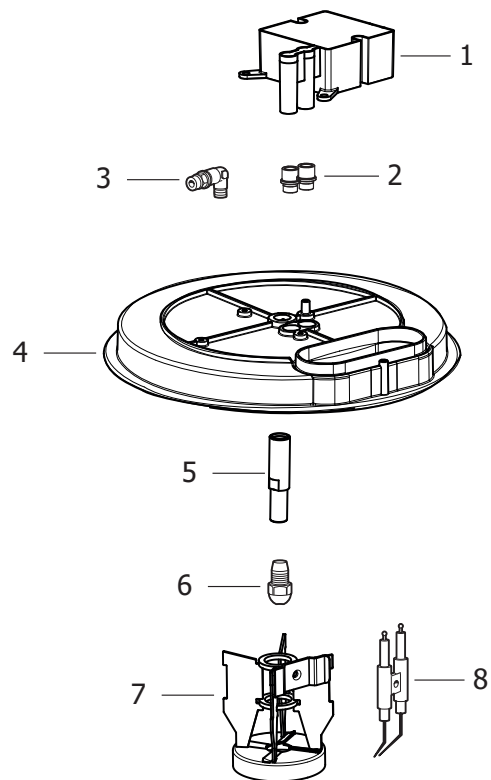


H.P.C. DAKOTA-R 1509XP M GREY 230/50 -LAVOR- PROF. - Content filters: validity 26/10/2020

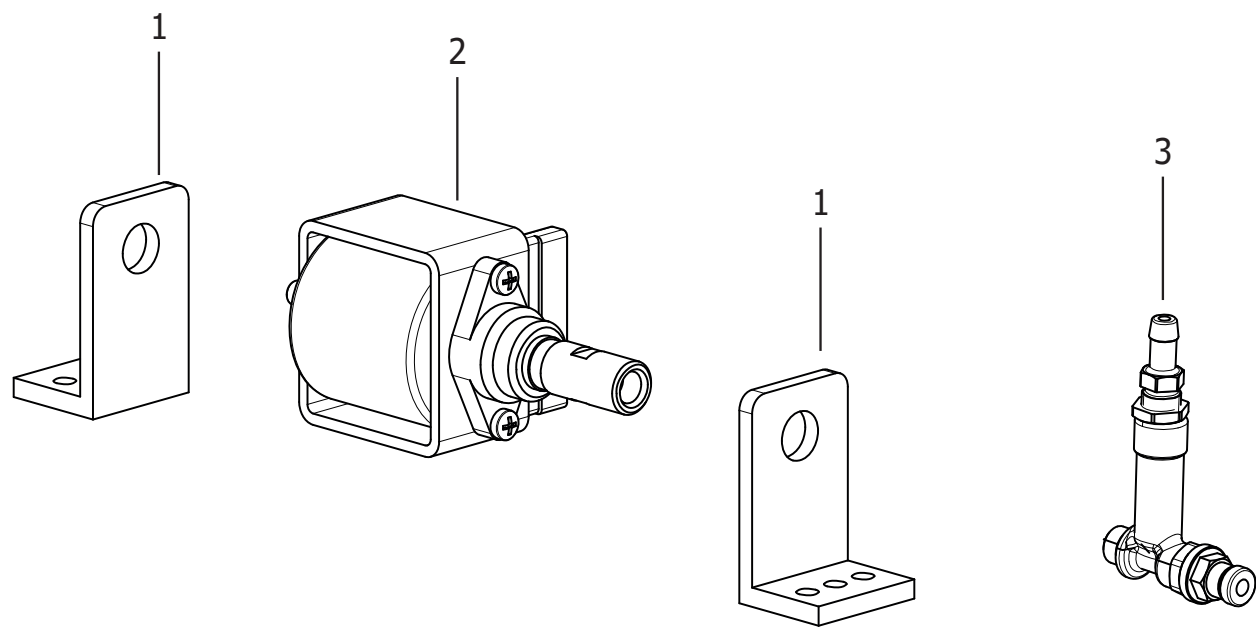
R56110255 - ASSIEME CRUSCOTTO TEXAS-R/DAKOTA-R MONOF.16A (TAMP. -EN-)

Validity: from 17/10/2019 to 31/12/9999

Pos.	Code	Substituted by	Q.ty	Purchasable	Min. Q.ty	For mainten.	Description
001	3.499.0028		1	Yes	1		PILOT LAMP 220/240 ORANGE
002	4.608.0164		1	Yes	1		BLACK THERMOSTAT KNOB PARANA'
003	3.401.0004		1	Yes	1	EXT	THERMAL SWITCH
004	4.608.0470		1	Yes	1		COVER FOR ELECTRIC BOX DAKOTA-R SINGLE PHASE
005	3.403.0091		1	Yes	1	EXT	THERMOSTAT 30-150
006	3.107.0004		1	Yes	1		PRESS.GAUGE DIAM.50 0/250 1/4 REAR+CLAMP
007	4.618.0003		1	Yes	1	EXT	GAUGE HOSE 2X630 MAX630BAR 1/4 F/GIR-1/4 F/GIR

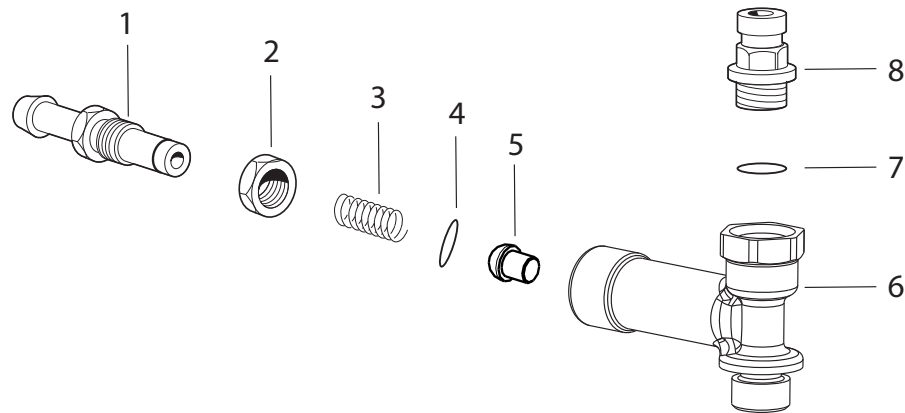


Pos.	Code	Substituted by	Q.ty	Purchasable	Min. Q.ty	For mainten.	Description
001	5.009.0686		1	Yes	1	EXT	CLA IGNITION TRANSFORMER WITH CABLES
002	4.008.0848		1	Yes	1		GASKET NEW TRANSFORMER FKX
003	3.100.0075		1	Yes	1		CONIC CONNECTION M 1/8 F D.4 CURVED FOR GASOIL HOSE VITON O-RING
004	4.605.0125		1	Yes	1		EXTERNAL BOILER COVER
005	4.006.0187		1	Yes	1		NOZZLE HOLDER PIN
006	3.104.0026		1	Yes	1	EXT	DIESEL FUEL NOZZLE 1,00 45/B
007	3.099.1711		1	Yes	1		COMPLETE DEFLECTOR
008	4.614.0003		1	Yes	1	EXT	ELECTRODE D.2 FKX PARANA'



Pos.	Code	Substituted by	Q.ty	Purchasable	Min. Q.ty	For mainten.	Description
0	R50090304		1	No			ASSIEME VALVOLA REGOLAZIONE PRESSIONE X POMPA ULKA (MOLLA L=20)
001	4.208.0313		2	Yes	1		L ANTIVIBRATION DEVICE FOR PUMP
002	3.551.0055		1	Yes	1		PUMP 230/50
003	5.009.0304		1	Yes	1		ADJUSTING VALVE SET (SPRING L=20)

D50090304/01



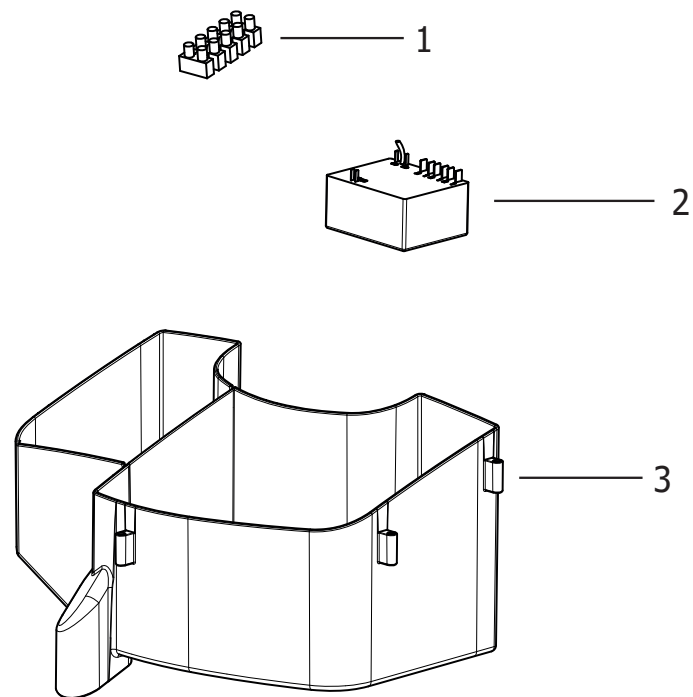
H.P.C. DAKOTA-R 1509XP M GREY 230/50 -LAVOR- PROF. - Content filters: validity 26/10/2020

R50090304 - ASSIEME VALVOLA REGOLAZIONE PRESSIONE X POMPA ULKA (MOLLA L=20)

Validity: from 28/02/2017 to 31/12/9999

Pos.	Code	Substituted by	Q.ty	Purchasable	Min. Q.ty	For mainten.	Description
001	4.006.0259		1	Yes	1		PORTAGOMMA A VITE X REGOLAZ. GASOLIO FKX
002	4.006.0260		1	Yes	1		DADO 10x1 ES.13 PER REGOLAZ. GASOLIO FKX
003	4.007.0306		1	Yes	1		SPRING FOR PRESS.REG.VALVE FKX D.5,4-7,8 L=20 WIRE 1,8
004	3.200.0050	3.200.0207	1	Yes	1		O-RING 5.28X1.78
005	4.008.0856		1	Yes	1		VALVOLA SFERICA PER REGOLAZIONE BY-PASS FKX-PARANA'
006	4.006.0254		1	Yes	1		BY-PASS DIESEL VALVE
007	3.200.0021		1	Yes	1		OR GASKET 6,75x1,78 RIF.106
008	3.100.0057		1	Yes	1		CONNECTION D.4X1/8'M VITON O-RING

D56110272/01



Pos.	Code	Substituted by	Q.ty	Purchasable	Min. Q.ty	For mainten.	Description
001	3.405.0011		1	Yes	1		TERMINAL BOARD PA 32/6
002	3.402.0026		1	Yes	1	EXT	REM. CONTROL SWITCH TLR4FC
003	4.608.0469		1	Yes	1		ELECTRIC BOX BODY DAKOTA-R

