

LAVORWASH

SERVICE

Parts

CODE

8.661.0001

DESCRIPTION

H.P.C. MYSTIC XP 230/50 TS LWSSCHUKO PLUG

REVISION

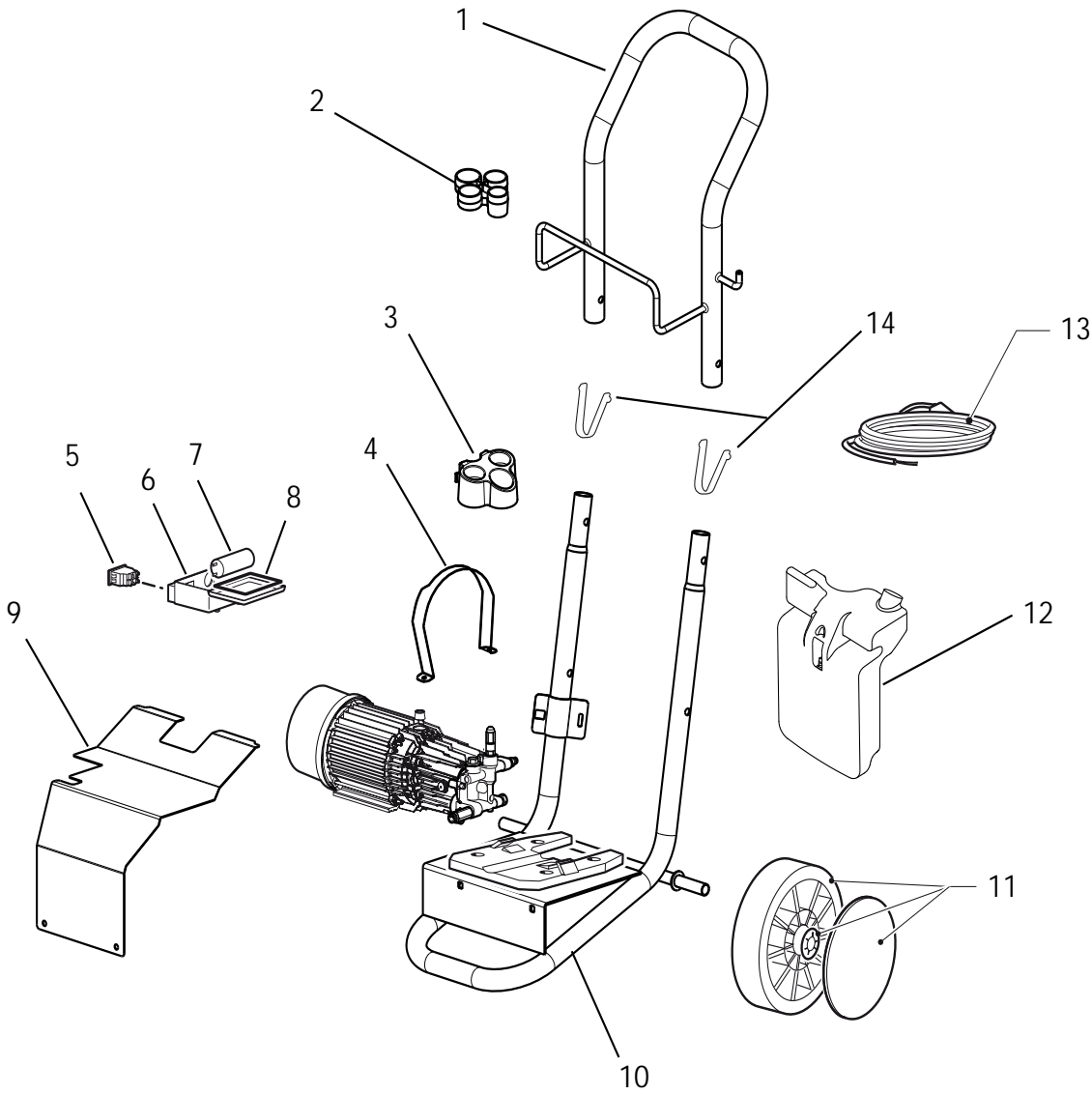
8/3/2010







VALIDITÀ

WEEK 30 2013

Pos.	Code	Price	Q.ty per	Qty.	Description	Alternative	Price	Q.ty per	Description
001	4.008.0922	2.72	10	1	COVER FOR MOTOR FAN (MOTOR'96)		0	0	
002	6.005.0251	21.42	1	1	KIT 168 LW RING+FAN		0	0	
003	5.006.0094	216.4	1	1	MOTOR D.125 H.110 230/50 2P		0	0	
004	5.009.0168	26.64	1	1	FRONT MOTOR FLANGE '96 125 ALTA BEST PACCO H		0	0	
005	6.005.0006	17.06	2	1	KIT 5 OIL GASKETS		0	0	
006	3.201.0001	1.07	20	1	OIL SEAL 20/35/6/6,5 BABSL		0	0	
007	3.001.0002	10.71	2	1	BALL OBLIQUE		0	0	
008	4.005.0005	21.42	1	1	DIE CASTED PLATE G.7.15'		0	0	
009	6.005.0008	28.8	1	1	KIT 8 LAVOR		0	0	
010	6.005.0040	0	1	1	PISTON+SPRING KIT	6.005.0096	98.76	1	KIT 96 LW PISTON BRASS HEAD '97
012	3.099.0003	2.68	10	1	OIL LEVEL INDICATOR SLNS-3/8 HOBBY		0	0	
013	4.005.0184	52.14	1	1	BEST BODY GUIDE WITH WINGS '01ESP.03		0	0	
014	3.099.0301	21.42	1	1	OIL CAP ZIGRIN. WITH HOLEGOLD		0	0	
015	5.009.0207	10.71	2	1	CAP ASSY		0	0	
017	3.002.0004	1.07	20	1	SCREW STEI 3/8 G.DIN 906 (OILLOAD CAP)		0	0	
018	6.005.0117	22.51	1	1	KIT 108 VALVES		0	0	
019	6.005.0020	21.42	1	1	KIT 23 LAVOR		0	0	
020	5.009.0323	21.42	1	1	DELIVERY SUCTION VALVE CAP FEMALE THREADED		0	0	
021	5.609.0154	10.71	2	1	KIT HOLDER RUBBER WITH ORING AND SPRING		0	0	
022	6.005.0120	21.42	1	1	KIT 111 PRESSURE REGULATOR FORBRASS HEAD		0	0	
023	5.609.0205	34.67	1	1	ASSEMBLED HOLDER ROD FOR LAVOR18 PUMP		0	0	
024	4.606.0085	181.77	1	1	BRASS HEAD		0	0	
025	6.005.0071	12.85	2	1	KIT 71 LW		0	0	
026	5.609.0079	21.42	1	1	OUTLET COUPLING FOR BRASS HEAD		0	0	
028	3.100.0023	2.36	10	1	NIPPLE 3/8 CIL. SV. 3/8 CIL.SV		0	0	
030	3.107.0006	22.71	1	1	D.40 0/300 BAR 1/8 GLYCERIN MANOMETER		0	0	
032	6.005.0119	25.61	1	1	KIT 110 LW PISTON BUSHING FORBRASS HEAD		0	0	
033	6.005.0118	35.86	1	1	KIT 109 WATER O-RINGS		0	0	
034	5.601.0478	422.3	1	1	OMNIA MOTORPUMP 230/50 2P D.125 H110 7,20'		0	0	
035	5.007.0011	119.97	1	1	BODY GUIDE		0	0	
036	5.008.0133	359.93	1	1	BRASS HEAD		0	0	
037	3.404.0016	21.42	1	1	CAPACITOR 45 mF 450V D.45X90 WITHOUT CABLE		0	0	
038	3.106.0004	26	1	1	SECURITY VALVE G1/8 M D6 200BAR MTM 00036021	5.609.0260	18.04	2	MAX PRESSURE VALVE 250BAR 1/8
039	4.606.0088	21.42	1	1	RUBBER HOLDER 1/4 G M D.7		0	0	

8.661.0001	R56010478-1	OMNIA MOTORPUMP 230/50 2P 125H110 7.20' TS
-------------------	--------------------	---



- 15 
- 16 
- 17 
- 18 
- 19 
- 20 
- 21 *MANUAL* 