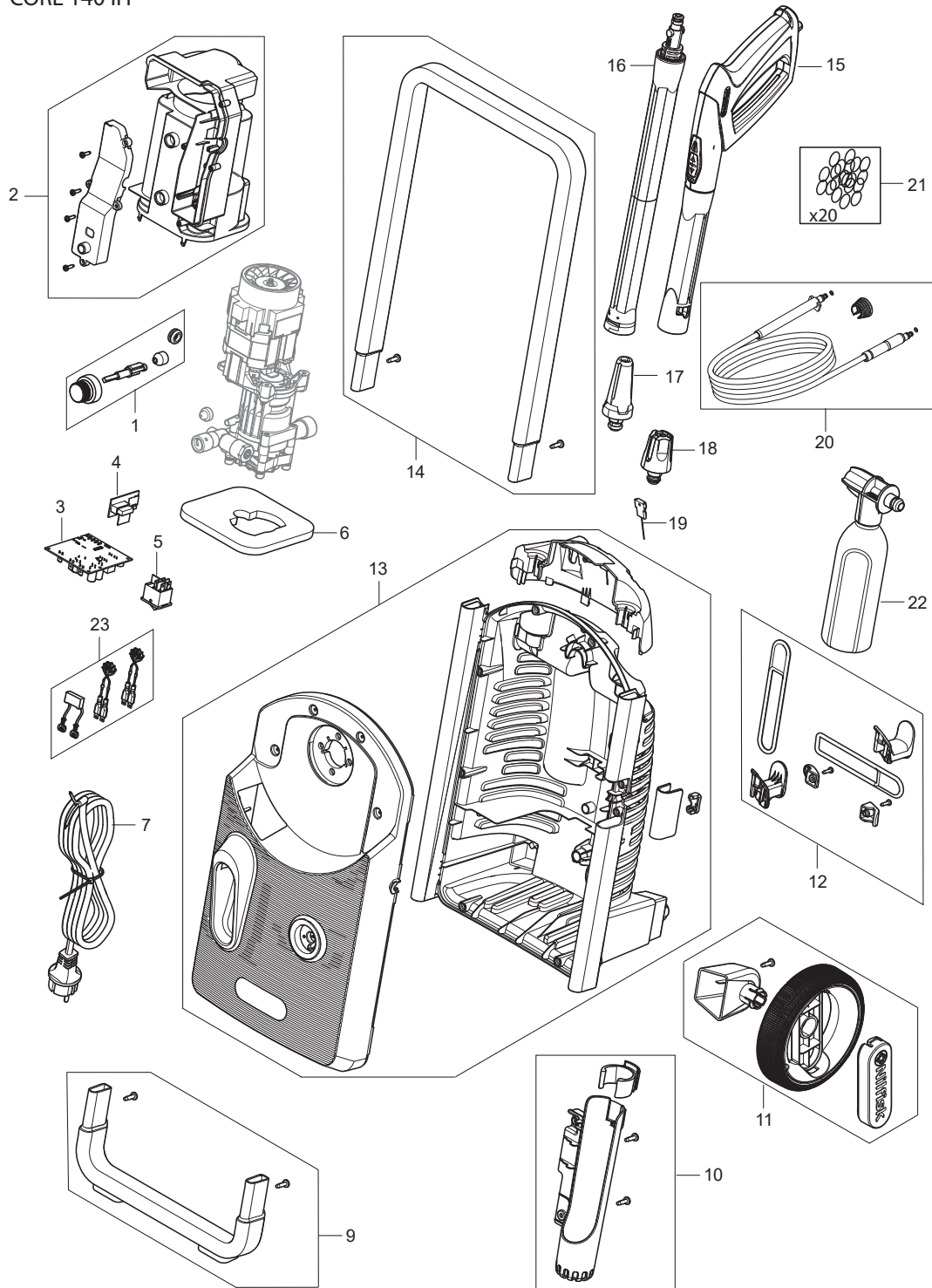


CORE 140 IH



Overview

Core 140-8 In Hand Powercontrol

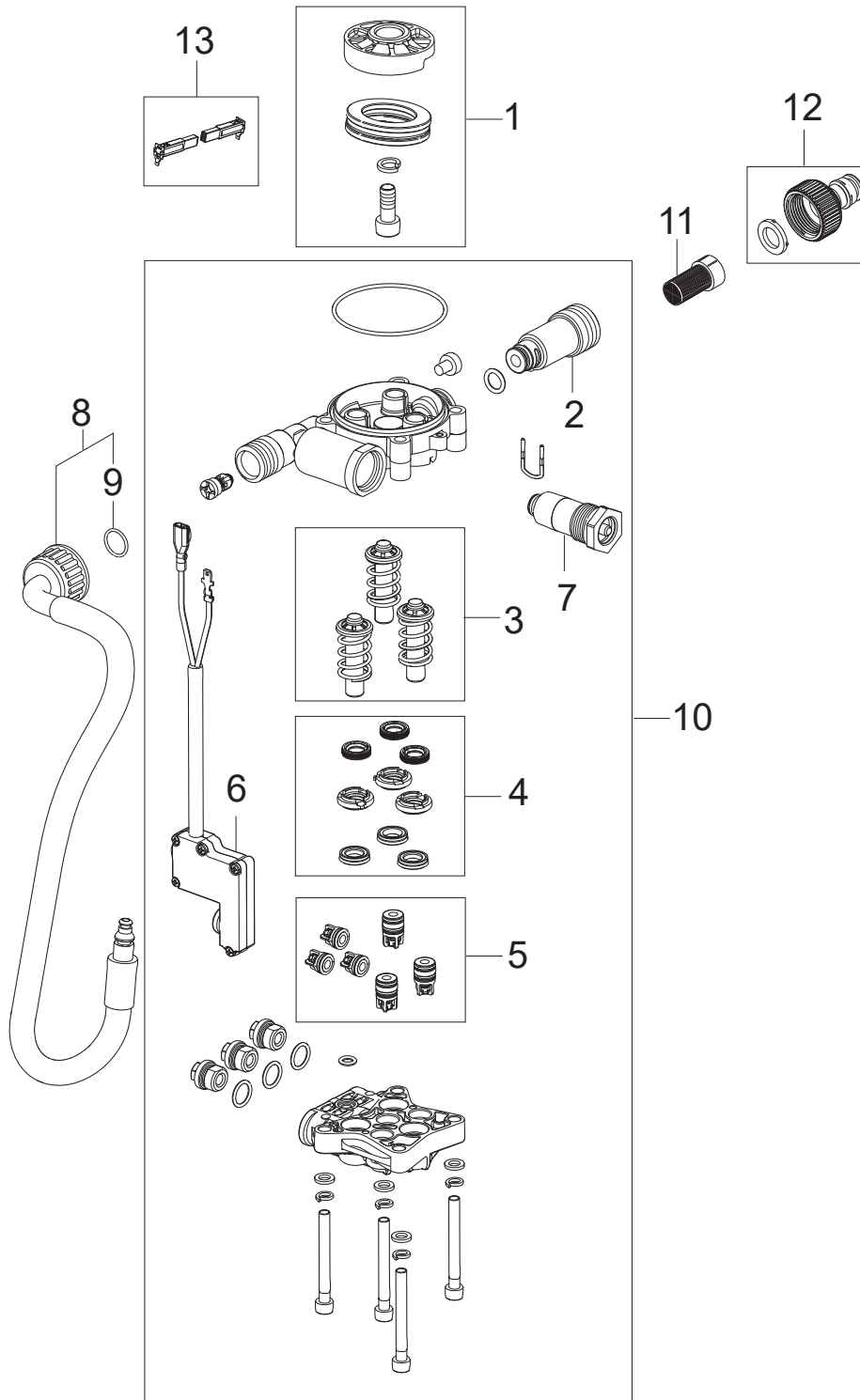
2020.10.15

2021.11.05

No.	Part No.	Qty.	Description	Part Note
1	128501529	1	SWITCH KNOB CORE 125 140IH	
2	128501534	1	MOTOR COVER SWITCH COVER 140 IH	
3	128501536	1	PCBA WIRELESS GUN MOTOR CONTROL140 IH	
4	128501537	1	PCBA NEO WIRELESS MACHINE 140 IH	
5	128501539	1	MAIN SWITCH 125 140 IHPC	
6	128501584	1	FOAM - MOTOR COVER 140 140IH	
7	128501543	1	POWER CABLE 130 140 140IH EU	
7	128501544	1	POWER CABLE 130 140 140IH UK	[1]
9	128501545	1	FOOT SUPPORT	
10	128501553	1	GUN AND LANCE HOLDER 140 140IHPC	
11	128501555	2	WHEEL WITH AXLE 140	
12	128501556	1	CORE CABLE HOOKS 125 130 140 140IH	
13	128501550	1	CABINET PARTS 140IH	
14	128501573	1	HANDLE CORE 140 140IHPC	
15	128500859	1	G4 POWERGRIP SPRAY HANDLE	
16	126481134	1	G3 LANCE	
17	128501153	1	C&C ROUGH NOZZLE (POWERSPEED)	
18	128500076	1	C&C GENTLE NOZZLE (TORNADO)	
19	128501571	1	CLEANING NEEDLE-140 140IHPC	
20	128501428	1	ULTRA FLEX HOSE 8M INTERNAL HOSE REEL	
21	6411221	1	BAG W. 20 O-RINGS	
22	128501566	1	FOAM SPRAYER COMPLETE	
23	128501572	1	1 CAPACITOR AND 2 EMC COILS	
NS	128501334	1	10 PCS 4C BOX CORE 140 POWER CONTROL IH	

Part Notes:

[1] - HK



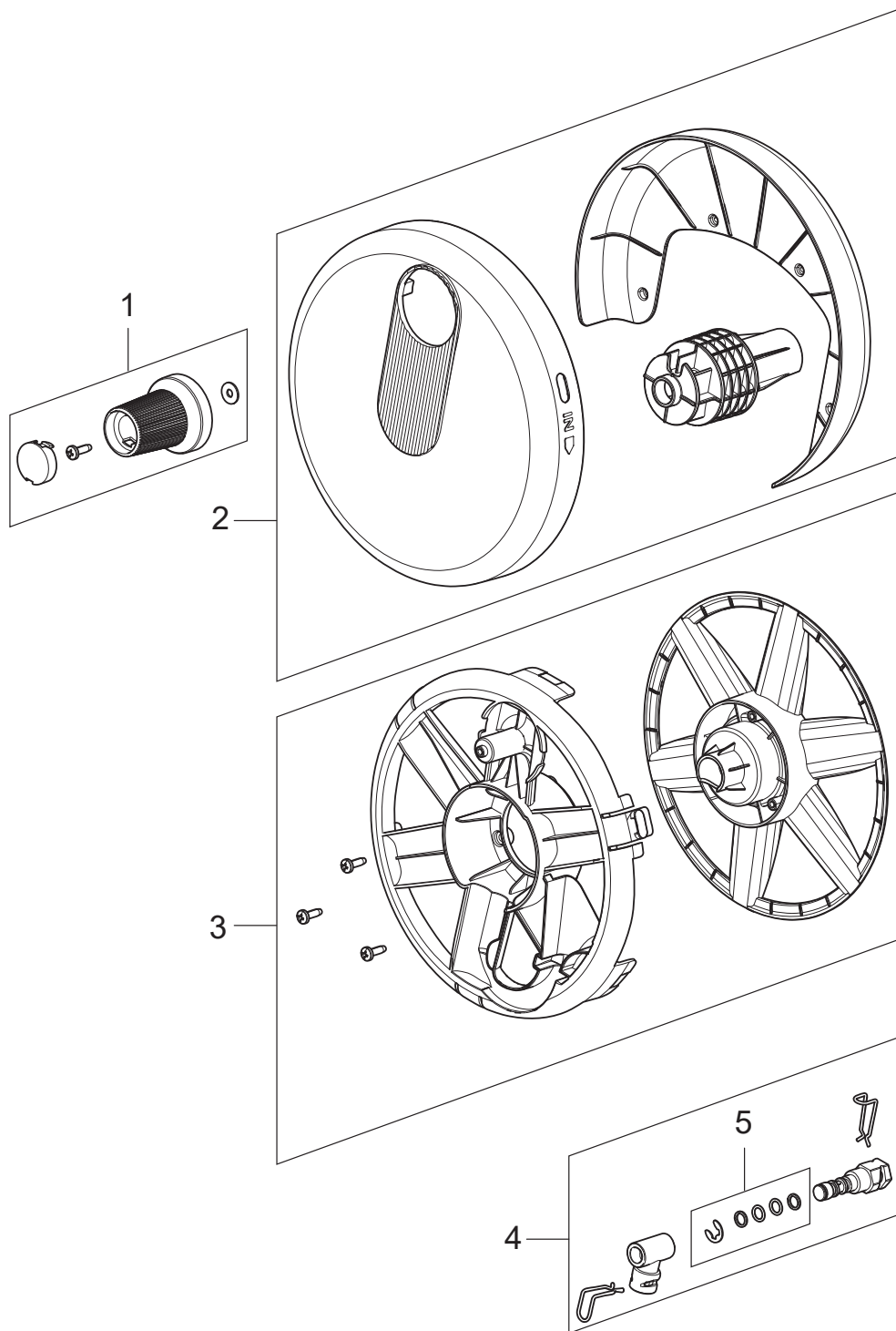
Motor pump

Core 140-8 In Hand Powercontrol

2020.08.25

2020.10.15

No.	Part No.	Qty.	Description	Part Note
1	31001132	1	WOBBLE DISC KIT - 9.0 DEGREES	
2	31000791	1	WATER INLET PLASTIC	
3	128501521	1	PUMP PISTON KIT P117	
4	31000516	1	SEALING KIT	
5	31000518	1	VALVE KIT	
6	128501522	1	MICRO SWITCH P08	
7	128501524	1	START STOP SYSTEM P117	
8	128501526	1	INTERNAL HOSE HP	
9	128501527	1	GASKET	
10	128501578	1	PUMP KIT P117	
11	128501528	1	WATER FILTER SP	
12	128501520	1	WATER INLET MALE COUPLING	
13	31000833	1	CARBON BRUSH KIT 2 PCS HEIGHT 11.4MM	



Hose reel

Core 140-8 In Hand Powercontrol

2020.08.21

2020.10.15

No.	Part No.	Qty.	Description	Part Note
1	128501579	1	HANDLE GRIP	
2	128501580	1	HOSE REEL COVERS AND AXLE	
3	128501581	1	HOSE REEL SUPPORT	
4	128501582	1	ADAPTER SYSTEM	
5	128501583	1	GASKETS FOR ADAPTER SYSTEM	
