

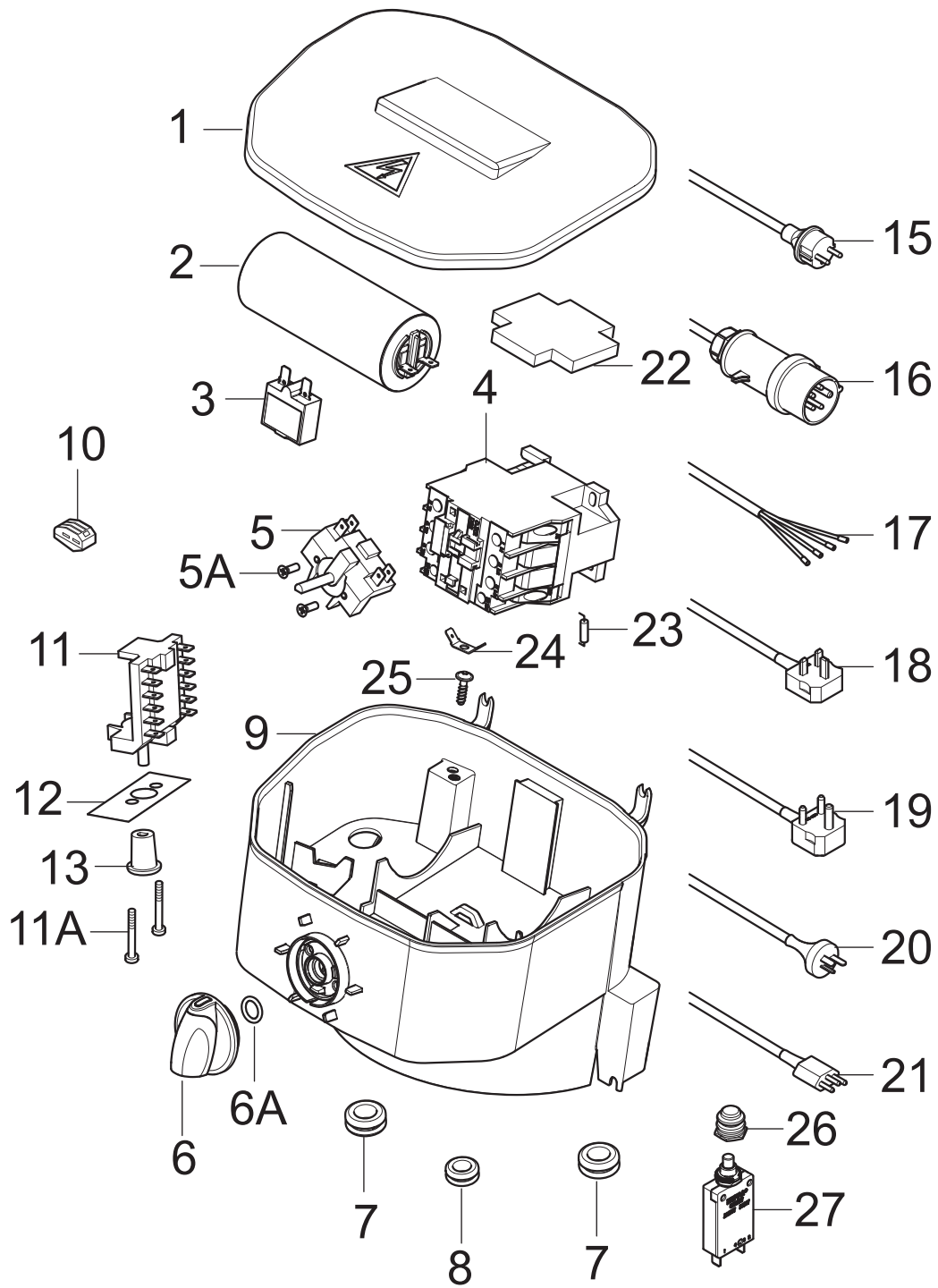
PARTS LIST



2021.01.04

TABLE OF CONTENTS

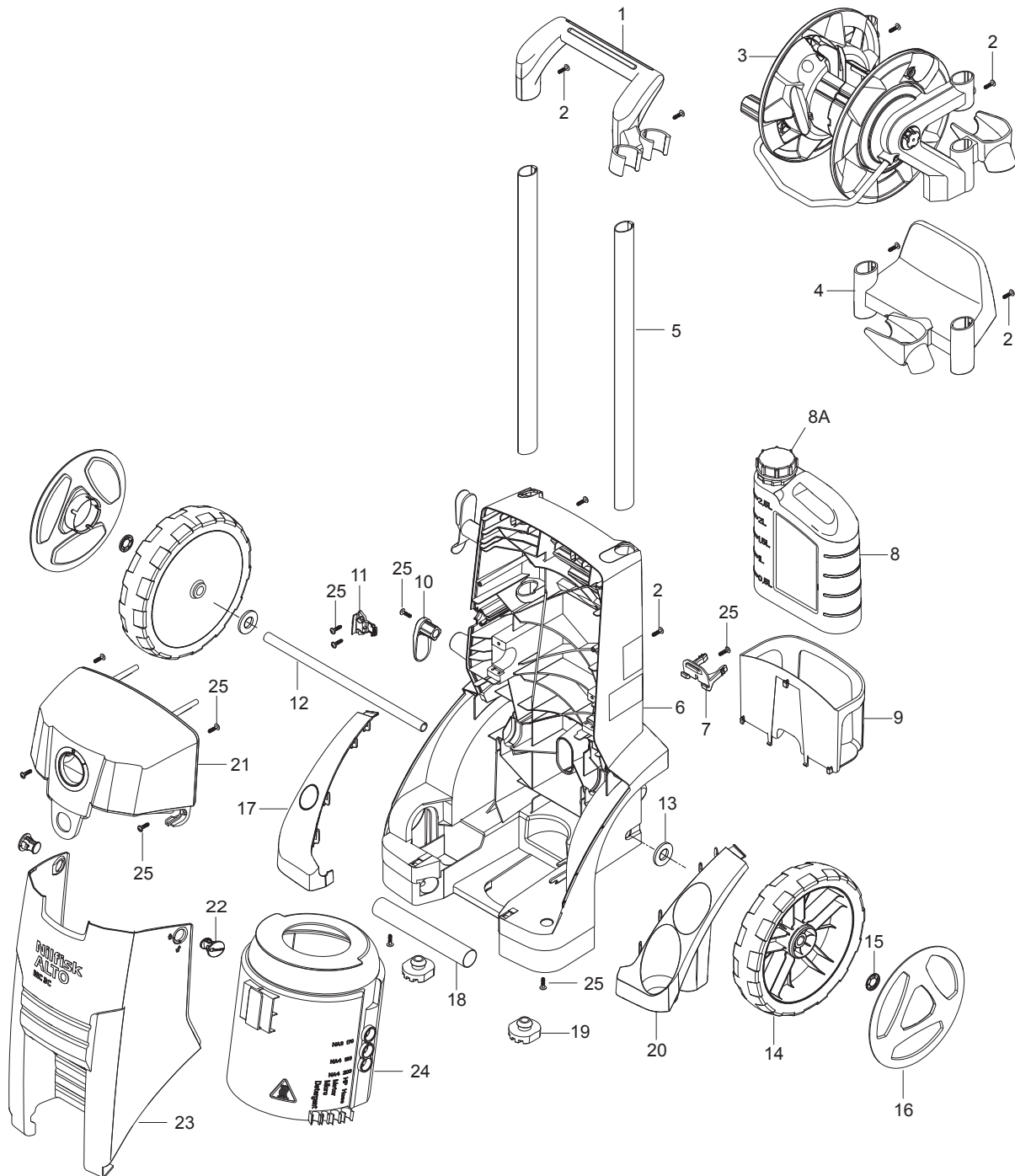
| | |
|--|----|
| Electric box | 1 |
| Overview | 3 |
| 107145803 - Hose reel MC3, MC4 | 5 |
| Pump without easy start and without injector | 7 |
| Recommended spare part | 9 |
| Motor MC3 | 11 |
| Default accessories | 13 |



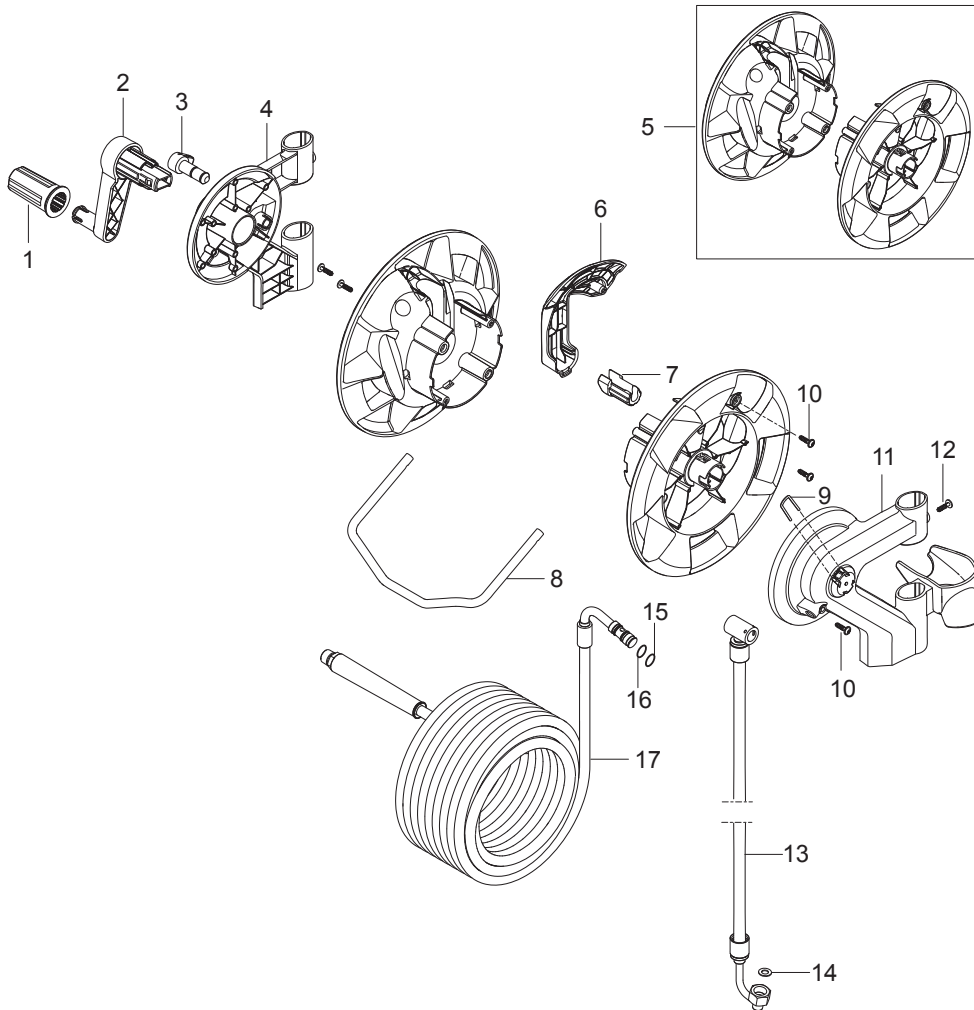
| Pos. | Artikel-Nr. | Menge | Variante | Notes |
|------|-------------|-------|--|-------|
| 1 | 107142547 | 1 | E-BOX LID MC 3-4 | |
| 2 | 301002320 | 1 | Kondensator 70 µF | |
| 3 | 301002322 | 1 | Sicherung 16 A | |
| 3 | 107142548 | 1 | FUSE 16 AMPS TYPE 2-5700-IG2-P10-DD-16A | [1] |
| 4 | 103822300 | 1 | Schütz CJX2-D12-V7 400V | |
| 4 | 63905 | 1 | Schütz 3x200/230 V | [2] |
| 5 | 301001058 | 1 | Schalter | |
| 5A | 18274 | 2 | Senkschraube M4x12 | |
| 6 | 909100204 | 1 | Drehknopf 6x5 blau | |
| 6A | 9868 | 1 | O-Ring 10x2,5 | |
| 7 | 301002284 | 2 | Tülle | |
| 8 | 3803772 | 1 | Tülle | |
| 9 | 107142550 | 1 | E-BOX BOTTOM MC 3-4 | |
| 10 | 301001229 | 1 | Klemmleiste | |
| 11 | 64579 | 1 | Drehschalter Stern-Dreiec | |
| 11A | 3389 | 2 | Zylinderschraube M4 x 20 ISO 1207 zn | |
| 12 | 107142551 | 1 | LABEL 230-400V CHANGE-OVER 74X28 | |
| 13 | 64580 | 1 | Drehknopf | [3] |
| 15 | 107142552 | 1 | POWER CORD - H07RN-F 3G1.5X6M. CEE 7 1 P | [4] |
| 16 | 107142553 | 1 | POWER CORD - H07RN-F 4G1.5X6M. CEE 5 3 P | [5] |
| 17 | 107142554 | 1 | POWER CORD - H07RN-F 4G1.5X6M. Y/D 3PH | [6] |
| 18 | 107142555 | 1 | POWER CORD H07RN-F 3G1.5X6M BS1363 1PH | [7] |
| 19 | 107142556 | 1 | POWER CORD H07RN-F 3G1.5X6M SABS 164 1 | [8] |
| 20 | 107142557 | 1 | POWER CORD H07RN-F 3G1.5X6M AS 3112 1P | [9] |
| 21 | 107142558 | 1 | POWER CORD H07RN-F 3G1.5X6M NBR 14136 | [10] |
| 22 | 64773 | 1 | Hilfskontakt 100-SBL11 | |
| 23 | 301000074 | 1 | Widerstand 470 ohm/3W | |
| 24 | 107142559 | 1 | FASTON TAB TERMINAL DOUBLE STUD 45° | |
| 25 | 107141838 | 1 | SCHRAUBE K50X18 WN1451 SCHWARZ TORX 20 | |
| 26 | 107142564 | 1 | FUSE CAP ETA TYPE X 200 801 08 (UNITOR) | [11] |
| 27 | 107142548 | 1 | FUSE 16 AMPS TYPE 2-5700-IG2-P10-DD-16A | [11] |

Part Notes:

- [1] - UNITOR HPC 3C - 150/660
- [2] - 220/440/3/60 EXPT, 230/400/3/50 NO
- [3] - TSB-PPW-2016-007 Rotary knob for Voltage selector switch 230V-400V must be sealed with lacquer
DE TSB-PPW-2016-007 Drehknopf des Spannungsauswahlschalters 230V-400V muss mit Lack versiegelt werden
- [4] - MC 4M-140/620 EU, MC 3C-140/660 EU
- [5] - MC 3C-160/770 , MC 4M-180/740, MC 4M-160/720
- [6] - MC 3C-170/820, MC 4M-180/740, MC 4M-160/720
- [7] - MC 4M-100/770, MC 4M-140/620, MC 3C-150/570, MC 3C-140/570
- [8] - MC 4M-160/620 (ZA)
- [9] - NO LONGER AVAILABLE
MC 4M-160/620 (AU)
- [10] - 220/1/60 (BR)
- [11] - UNITOR



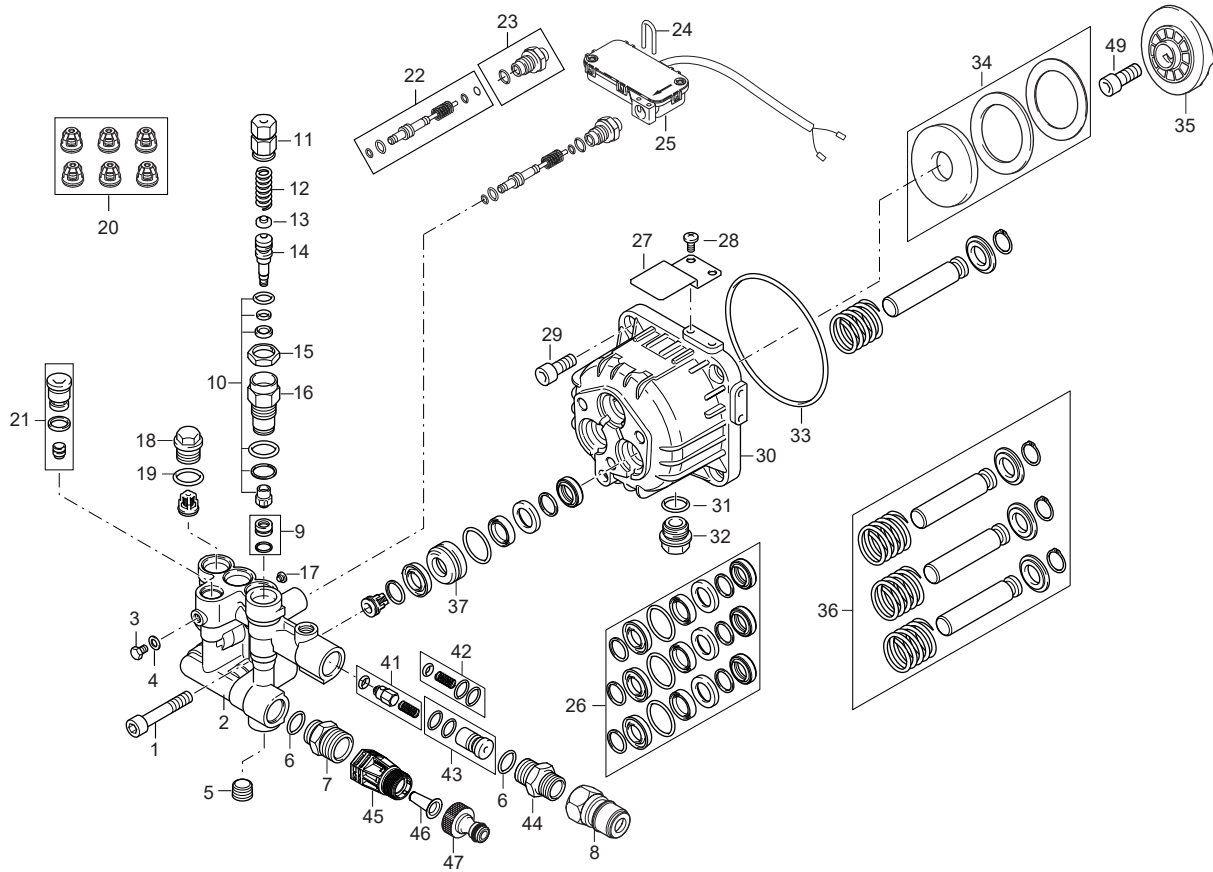
| Pos. | Artikel-Nr. | Menge | Variante | Notes |
|------|-------------|-------|--|-------|
| 0 | 107142623 | 1 | 10 PCS CARD BOX NILFISK MC 3C - MC 4M | |
| 1 | 107142500 | 1 | HANDLE MC 3-4 | |
| 2 | 909100425 | 4 | 1x Schraube M6X12 | |
| 3 | 107142536 | 1 | HOSE REEL MC 3-4 | |
| 4 | 107142501 | 1 | HOSE HOOK MC 3-4 | |
| 5 | 107142502 | 2 | ALU PROFILE 25X35 MC 3-4 | |
| 6 | 107142503 | 1 | CHASSIS MC 3-4 | |
| 7 | 107142504 | 1 | HOLDER F. FOAM GUN | |
| 8 | 107141635 | 1 | Reinigungsmitteltank | |
| 8A | 107141664 | 1 | Deckel | |
| 9 | 107142505 | 1 | Halterung Kanister | |
| 10 | 107142507 | 1 | CABLE HOOK MC 3-4 | |
| 11 | 107142509 | 1 | CABLE CLAMP MC 3-4 | |
| 12 | 301002304 | 1 | Achse | |
| 13 | 909100426 | 2 | 2x Beilagscheibe DIN34815 | |
| 14 | 107142510 | 2 | WHEEL ?250x55 | |
| 15 | 11710 | 2 | Klemming 15 | |
| 16 | 107142511 | 2 | WHEEL CAP F. WHEEL ?250X55 NILFISK | |
| 17 | 107142515 | 1 | WHEEL CABINET RIGHT MC 3-4 | |
| 18 | 107142517 | 1 | HANDLE - ALU BAR | |
| 19 | 301002301 | 2 | Stützfuß | |
| 20 | 107142518 | 1 | WHEEL CABINET LEFT MC 3-4 | |
| 21 | 107142520 | 1 | CABINET E-BOX MC 3-4 | |
| 22 | 301000584 | 2 | Verriegelung | |
| 23 | 107142522 | 1 | CABINET MC 3C | |
| 24 | 107142525 | 1 | FAN CAP | |
| 25 | 107141838 | 10 | SCHRAUBE K50X18 WN1451 SCHWARZ TORX 20 | |



| Pos. | Artikel-Nr. | Menge | Variante | Notes |
|------|-------------|-------|---|-------|
| | | | MI - 106409224 Hose guide MC 3C MC 4M | [1] |
| | | | MI - 106409225 Hose reel MC 3C MC 4M | [2] |
| 0 | 107145803 | 1 | Schlauchtrommel Set für M | |
| 1 | 107142530 | 1 | ROTATING HANDLE F. HOSE REEL | |
| 2 | 107142532 | 1 | HANDLE FOR HOSE REEL MC 3-4 | |
| 3 | 107142533 | 1 | STOPPER PIN CPL. F. HOSE REEL MC 3-4 | |
| 4 | 107142535 | 1 | ADAPTOR FOR HOSE REEL RIGHT MC 3-4 | |
| 5 | 107142536 | 1 | HOSE REEL MC 3-4 | |
| 6 | 107142537 | 1 | HOSE COVER MC 3-4 | |
| 7 | 107142538 | 1 | FITTING GUIDE F. HOSE REEL MC 3-4 | |
| 8 | 107142539 | 1 | HOSE GUIDE MC 3-4 | |
| 9 | 128500592 | 1 | LOCK KIT | |
| 10 | 107141838 | 5 | SCHRAUBE K50X18 WN1451 SCHWARZ TORX 20 | |
| 11 | 107142540 | 1 | ADAPTOR FOR HOSE REEL LEFT MC 3-4 | |
| 12 | 909100425 | 2 | 1x Schraube M6X12 | |
| 13 | 107142541 | 1 | CONNECTION HOSE DN8 F. HOSE REEL MC 3-4 | |
| 14 | 65466 | 1 | Dichtring 8,0x15,0x1,0 DI | |
| 15 | 3004321 | 2 | O-Ring 10,0 x 2,0 PUR90 | |
| 16 | G200117 | 1 | BACK-UP RING Ø10.7XØ14X1 PTFE 2 PCS | [3] |
| 17 | 107142542 | 1 | HP-HOSE DN6X15M MC 3-4 | |

Part Notes:

- [1] - MI - 106409224 Hose guide MC 3C MC 4M
- [2] - MI - 106409225 Hose reel MC 3C MC 4M
- [3] - CLOSED WHEN STOCK EMPTY

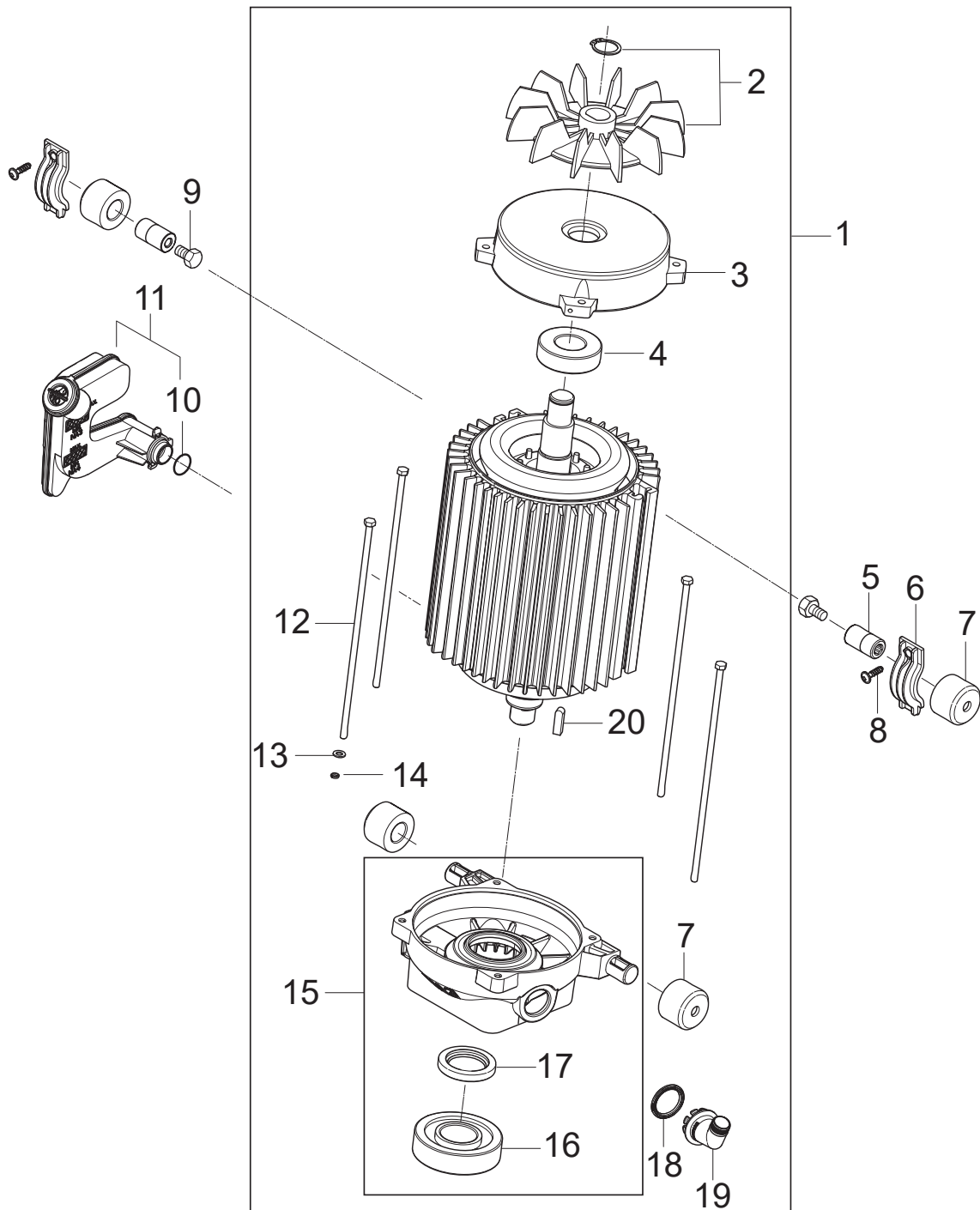


| Pos. | Artikel-Nr. | Menge | Variante | Notes |
|------|-------------|-------|-----------------------------------|-------|
| 1 | 31000942 | 1 | SCREW M8x45 | |
| 2 | 31000943 | 1 | PUMP HEAD | |
| 3 | 301003035 | 1 | Verschlussschraube | |
| 4 | 31000944 | 2 | WASHER | |
| 5 | 31000645 | 1 | PLUG 1/4 INCH G | |
| 6 | 31000945 | 1 | O-RING D14x2 | |
| 7 | 31000946 | 1 | FITTING 1/2INCH G M - 3/8INCH G M | |
| 8 | 1600493 | 1 | Anschlussstück | |
| 9 | 31000930 | 1 | VALVE SEAT KIT | |
| 10 | 31000929 | 1 | GASKET KIT FOR UNLOADER | |
| 11 | 31000947 | 1 | SCREW | |
| 12 | 31000649 | 1 | SPRING 10.62X6.08X2.8 | |
| 13 | 31000630 | 1 | SPRING PLATE | |
| 14 | 31000948 | 1 | PISTON | |
| 15 | 31000949 | 1 | NUT | |
| 16 | 31000950 | 1 | PISTON GUIDE | |
| 17 | 31000951 | 1 | PLUG | |
| 18 | 31000952 | 1 | PLUG | |
| 19 | 31000953 | 1 | O-RING D13.5x1.8 | |
| 20 | 31000937 | 1 | INLET OUTLET VALVE KIT | |
| 21 | 31000927 | 1 | PLUG KIT | |
| 22 | 31000986 | 1 | PISTON KIT FOR MICROSWITCH | |
| 23 | 31000987 | 1 | FITTING KIT FOR MICROSWITCH | |
| 24 | 31000954 | 1 | CLAMP FOR SWITCHBOX | |
| 25 | 107142680 | 1 | SWITCHBOX ASSEMBLY | |
| 26 | 31000935 | 3 | GASKET KIT | |
| 27 | 31000956 | 1 | SUPPORT | |
| 28 | 31000957 | 1 | SCREW 5x10 UNI 8110 | |
| 29 | 301003063 | 1 | Schraube 5x25 | |
| 30 | 31000958 | 1 | PUMP BODY | |
| 31 | 31000597 | 1 | O-RING Ø14X1.78 | |
| 32 | 31000959 | 1 | PLUG 3/8INCH G PLASTIC | |
| 33 | 31001001 | 1 | O-RING Ø92X3 | |
| 34 | 31000936 | 1 | BEARING KIT | |
| 35 | 31000960 | 1 | WOBBLE DISC 12 DEG | [1] |
| 35 | 31000961 | 1 | WOBBLE DISC 14 DEG | [2] |
| 36 | 31000938 | 1 | PISTON KIT D14 | |
| 37 | 31000968 | 1 | PISTON GUIDE D14 | |
| 41 | 31000932 | 1 | PRESSURE VALVE KIT | |
| 42 | 31000941 | 1 | KIT FOR INJECTOR | |
| 43 | 31000933 | 2 | INJECTOR ALTO | |
| 44 | 31000969 | 1 | FITTING 3/8INCH GM - 3/8INCH G M | |
| 45 | 107142566 | 1 | WASSEREINLASSSCHLAUCH | |
| 46 | 101117926 | 1 | Sieb | |
| 47 | 1402809 | 1 | Schlauchstutzen/Nippel | |
| 49 | 1803337 | 1 | Zylinderschraube M8x 25 | |
| 49 | 1812296 | 1 | SCREW M8X25 STAINLESS | |

Part Notes:

- [1] - MC 3C-170/820 220-440/3/60
[2] - MC 3C-160/770 400/3/50 - MC 3C-170/820 400/3/50 - MC 3C-170/820 400/3/50 XT - MC 3C-170/820 230-400/3/50 XT NO

| Pos. | Artikel-Nr. | Menge | Variante | Notes |
|------|-------------|-------|---|-------|
| A | 31000630 | | SPRING PLATE | |
| A | 31000649 | | SPRING 10.62X6.08X2.8 | |
| A | 31000928 | | EASY START KIT | |
| A | 31000929 | | GASKET KIT FOR UNLOADER | |
| A | 31000932 | | PRESSURE VALVE KIT | |
| A | 31000933 | | INJECTOR ALTO | |
| A | 31000935 | | GASKET KIT | |
| A | 31000937 | | INLET OUTLET VALVE KIT | |
| A | 31000941 | | KIT FOR INJECTOR | |
| A | 31000948 | | PISTON | |
| A | 31000968 | | PISTON GUIDE D14 | |
| A | 31001001 | | O-RING Ø92X3 | |
| A | 65466 | | Dichtring 8,0x15,0x1,0 DI | |
| A | 3004321 | | O-Ring 10,0 x 2,0 PUR90 | |
| A | 107142541 | | CONNECTION HOSE DN8 F. HOSE REEL MC 3-4 | |
| A | 107142542 | | HP-HOSE DN6X15M MC 3-4 | |
| A | 107142548 | | FUSE 16 AMPS TYPE 2-5700-IG2-P10-DD-16A | |
| A | 301002322 | | Sicherung 16 A | |
| A | 301003078 | | Wellendichtring | |
| B | 4029 | | O-Ring 18,0 X2,5 DIN | |
| B | 31000597 | | O-RING Ø14X1.78 | |
| B | 31000986 | | PISTON KIT FOR MICROSWITCH | |
| B | 31000987 | | FITTING KIT FOR MICROSWITCH | |
| B | 107142680 | | SWITCHBOX ASSEMBLY | |
| B | 31000959 | | PLUG 3/8INCH G PLASTIC | |
| B | 107145038 | | FAN INCL. SEAL V-RING | |
| C | 2753 | | Sechskantschraube M8x 20 ISO 4017 zn | |
| C | 31000927 | | PLUG KIT | |
| C | 31000936 | | BEARING KIT | |
| C | 31000938 | | PISTON KIT D14 | |
| C | 31000960 | | WOBBLE DISC 12 DEG | |
| C | 31000961 | | WOBBLE DISC 14 DEG | |
| C | 31000962 | | WOBBLE DISC 10 DEG | |
| C | 31000963 | | WOBBLE DISC 11.5 DEG | |
| C | 31000964 | | WOBBLE DISC 9.5 DEG | |
| C | 31000965 | | WOBBLE DISC 9 DEG | |
| C | 107142544 | | NUT M8 X D17 X L31 INT. HEX 8 | |
| C | 301003080 | | Lager 6205 ZZ | |
| C | 63905 | | Schütz 3x200/230 V | |
| C | 103822303 | | Schütz CJX2-D18 18A 400V 3P+NO | |
| C | 301001058 | | Schalter | |
| C | 301002320 | | Kondensator 70 µF | |
| C | 301003079 | | Kugellager DIN628-7305B | |



| Pos. | Artikel-Nr. | Menge | Variante | Notes |
|------|-------------|-------|--|-------|
| 0 | 31001082 | 1 | OIL ROTRA MP 80W-90 1L | [1] |
| 1 | 31001003 | 1 | MOTOR NA3 - 2.5KW/230V/50HZ/1PH | [2] |
| 1 | 31001004 | 1 | MOTOR NA3 - 2.5KW/220V/60HZ/1PH | [3] |
| 1 | 31001005 | 1 | MOTOR NA3 - 3.6KW/230/400V/50HZ/3PH | [4] |
| 2 | 107145038 | 1 | FAN INCL. SEAL V-RING | |
| 3 | 107145037 | 1 | N-BEARING COVER | |
| 4 | 301003080 | 1 | Lager 6205 ZZ | |
| 5 | 107142544 | 2 | NUT M8 X D17 X L31 INT. HEX 8 | |
| 6 | 301002296 | 2 | Halter | |
| 7 | 107142545 | 4 | SUSPENSION D35 X D17 X L25 | |
| 8 | 107141838 | 2 | SCHRAUBE K50X18 WN1451 SCHWARZ TORX 20 | |
| 9 | 2753 | 2 | Sechskantschraube M8x 20 ISO 4017 zn | |
| 10 | 107142589 | 1 | SEAL ID 16.7XOD 21.2XW 5 NBR 70 SHORE A | |
| 11 | 107142546 | 1 | OIL CONTAINER MC 3-4 | [5] |
| 12 | 31000923 | 4 | STAY BOLT M5X200 | |
| 13 | 31000918 | 4 | WASHER D5.5XD10 GB/T97.1 ISO7089 | |
| 14 | 31000919 | 4 | LOCK RING D5.1XD7.7 GB/T93 DIN127 | |
| 15 | 31000926 | 1 | D-BEARING COVER P3 INCL SEAL AND BEARING | |
| 16 | 31001028 | 1 | BEARING 7306 | |
| 17 | 301003078 | 1 | Wellendichtring | |
| 18 | 31000921 | 1 | SEAL ID 23.4XOD 31 D 2/3.5 | |
| 19 | 31000922 | 1 | CABLE GLAND 23.5 SNAPON 110 DEG | |
| 20 | 101814798 | 1 | Passfeder | |
| 21 | 107142617 | 1 | BRACKET OIL CONTAINER NA3-NA4 CPL. | [6] |

Part Notes:

- [1] - TSB-PPW-2016-016 MC 3C_MC 4M_MH 3M Pump oil no stock
DE TSB-PPW-2016-016 MC 3C MC 4M MH 3M Pumpenöl nicht verfügbar
0,42L - OIL TYPES_QUANTITY for HPW_APRIL 2017
- [2] - MPU ALTO SWEDEN 3C - 130/660 230/1/50/13 - MC 3C-140/660 230/1/50/16 - MC 3C-150/660 230/1/50/16 - MC 3C-150/660 230/1/50/16 XT EU - MC 3C-150/570 230/1/50/13 XT UK, MC 3C-140/157
- [3] - MC 3C-140/660 220/1/60/15 EXPT - UNITOR HPC 30/1 3C - 150/660 220/1/60/16
- [4] - MC 3C-160/770 400/3/50 - MC 3C-170/820 400/3/50 - MC 3C-170/820 400/3/50 XT - MC 3C-170/820 230-400/3/50 XT NO - MC 3C-170/820 220-440/3/60
- [5] - TSB-PPW-2015-007 MC 3C MC 4M, Oil Container leaking oil at O-ring seal
DE TSB-PPW-2015-007 MC 3C und MC 4M, Öl Behälter Leckage bei dem O-Ring
- [6] - US

| Pos. | Artikel-Nr. | Menge | Variante | Notes |
|------|-------------|-------|--|-------|
| 1 | 106403122 | 1 | ERGO 2000 STANDARD W. HOSE SWIVEL | [1] |
| 2 | 301002275 | 1 | HD-Schlauch DN6x10m 3/8 | [2] |
| 2 | 107142542 | 1 | HP-HOSE DN6X15M MC 3-4 | [3] |
| 3 | 107142576 | 1 | HP-NOZZLE 1/8-27NPT MEG 25034 | [4] |
| 3 | 107142579 | 1 | HP-NOZZLE 1/8-27NPT MEG 25045 | [5] |
| 3 | 106402282 | 1 | FLEXOPOWER PLUS 960 | [6] |
| 3 | 106403011 | 1 | TORNADO PLUS 1000 gebogen | [7] |
| 3 | 106403035 | 1 | UNIVERSAL PLUS LANCE 1090 | [8] |
| 3 | 101119735 | 1 | HD-Düse 0340 TORNADO | [9] |
| 3 | 101119737 | 1 | HD-Düse 0370 TORNADO | [10] |
| 3 | 101119738 | 1 | Düse NT0400 | [11] |
| 3 | 101119739 | 1 | HD-Düse 0435 TORNADO | [12] |
| 4 | 106408250 | 1 | 4-IN-1 LANCE INCL 0340 ALUMINUM HEAD | [13] |
| 4 | 106408261 | 1 | 4-IN-1 LANCE INCL 0370 ALU HEAD W/O LOGO | [14] |
| 4 | 106408252 | 1 | Universal Plus Strahlrohr mit 4-in-1 Düs | [15] |
| 4 | 106408254 | 1 | 4-IN-1 LANCE INCL 0435 ALUMINUM HEAD | [16] |
| 5 | 107145803 | 1 | Schlauchtrommel Set für M | |
| | 106404529 | 1 | GARDENA COUPLING MALE 3/4 | |
| | 61369 | 1 | Schlauchtülle ø20 R3/4" vormontiert CuZn | [17] |

Part Notes:

- [1] - ERGO 2000 Spray handle
- [2] - Without hose reel
- [3] - X-TRA (with hose reel)
- [4] - PRUNED-NO REPLACEMENT
MC 3C-140/570 230/1/50/13
- [5] - MC 3C-160/770 400/3/50 EU
- [6] - FLEXOPOWER PLUS lance
- [7] - TORNADO PLUS lance
- [8] - UNIVERSAL PLUS lance
- [9] - MC 3C 150/570
- [10] - MC 3C 140/660, MC 3C 150/660
- [11] - MC 3C 130/660
- [12] - MC 3C 170/820
- [13] - MC 3C 150/570
4 in1 Nozzle
- [14] - 2020 ACCESSORY PRUNING
- [15] - MC 3C 150/660
4 in1 Nozzle
- [16] - MC 3C 170/820
4 in1 Nozzle
- [17] - UNITOR

