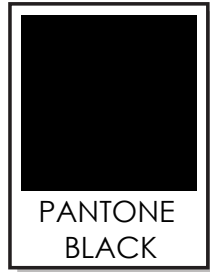
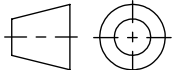



DO NOT PRINT THIS PAGE

REVISIONS			
REV.	DESCRIPTION	ECN	DATE
A	RELEASE TO PRODUCTION	E000277	2015-07-31

REFERENCE ONLY, PLEASE USE AI / EPS FOR PRINTING

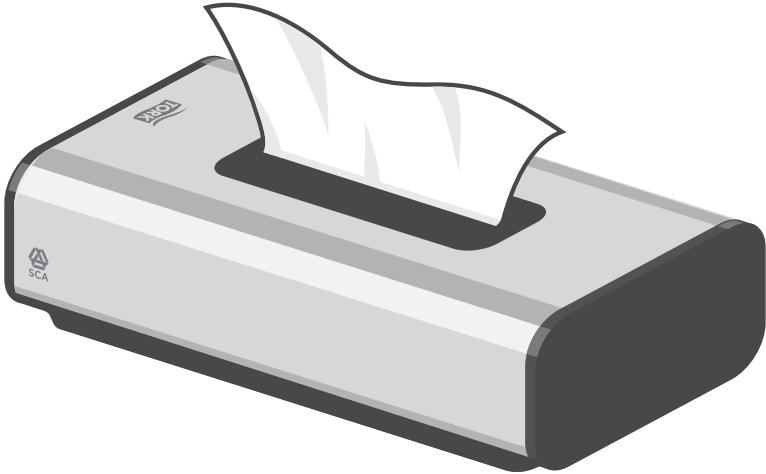


PROPRIETARY AND CONFIDENTIAL THE INFORMATION CONTAINED IN THIS DRAWING IS THE SOLE PROPERTY OF SCA GLOBAL HYGIENE CATEGORY. ANY REPRODUCTION IN PART OR AS A WHOLE WITHOUT WRITTEN PERMISSION IS PROHIBITED.		PROJECTION FIRST ANGLE 		
DRAWN BY ALTEN	DATE 2015-02-25	UNLESS OTHERWISE SPECIFIED DIMENSIONS ARE IN MILLIMETERS [INCHES] AND TOLERANCES FOR LINEAR: $X = \pm .79$ [.031] ANGULAR: $\pm 2^\circ$	SCA GLOBAL HYGIENE CATEGORY	
REFER TO ECN FOR APPROVALS AND DATES			DESCRIPTION ARTWORK, INSTRUCTION MANUAL	
SIZE N/A	SCALE 1:1	SHEET N/A	PREVIOUS PART NUMBER N/A	STATE RELEASED
DWG NO. 0012865			REVISION A	

Tork Facial Tissue Dispenser

F1

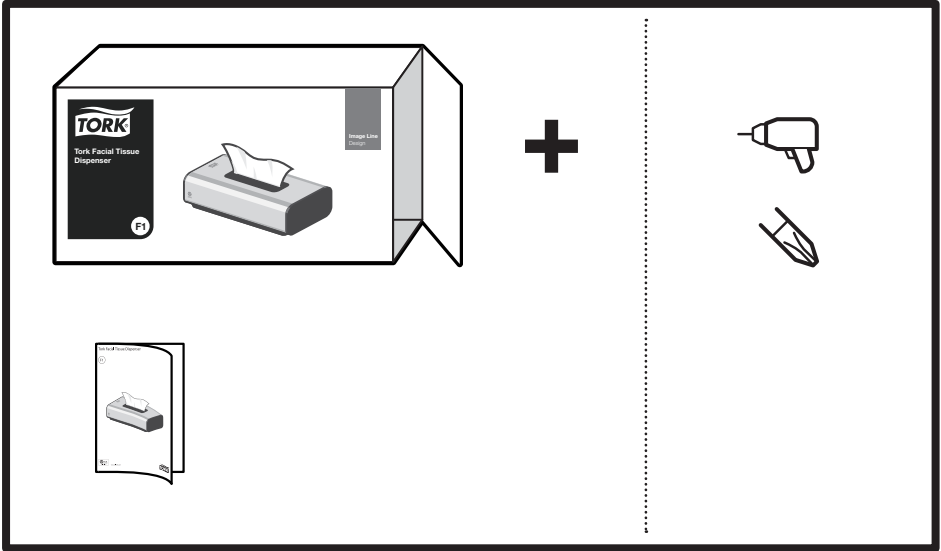
Image
Design



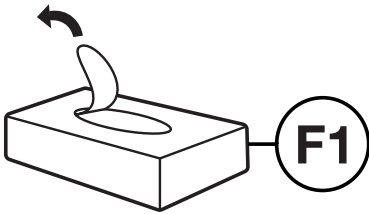
www.sca-tork.com



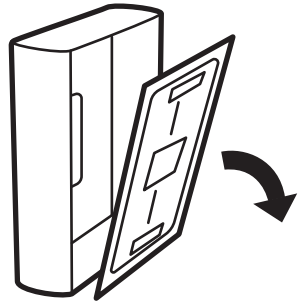
Tork Facial Tissue Dispenser



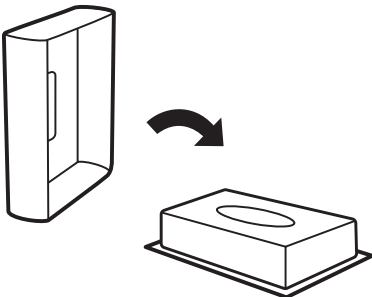
1



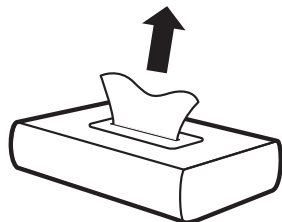
2



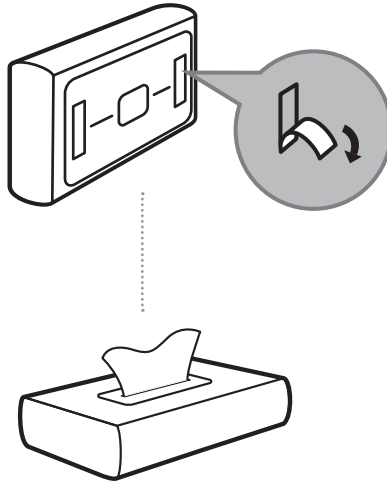
3



4



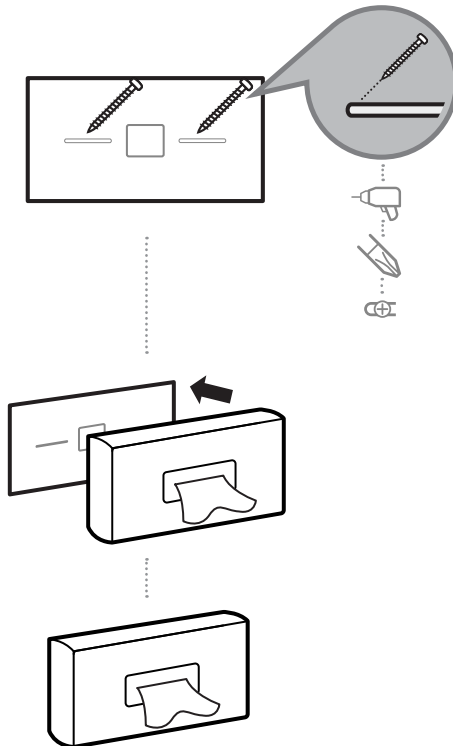
5a



5b

 x2

 x2



Disposal

- Damaged or malfunctioning product should be disposed of immediately to avoid potential of injury
- Products should be disposed of in accordance with applicable regulations

Cleaning instructions

- Clean dispenser with mild detergent and soft cloth

European community design registration RCD 002601922



Manufactured by SCA
SE-405 03 Göteborg, Sweden
www.sca-tork.com
Made in Poland