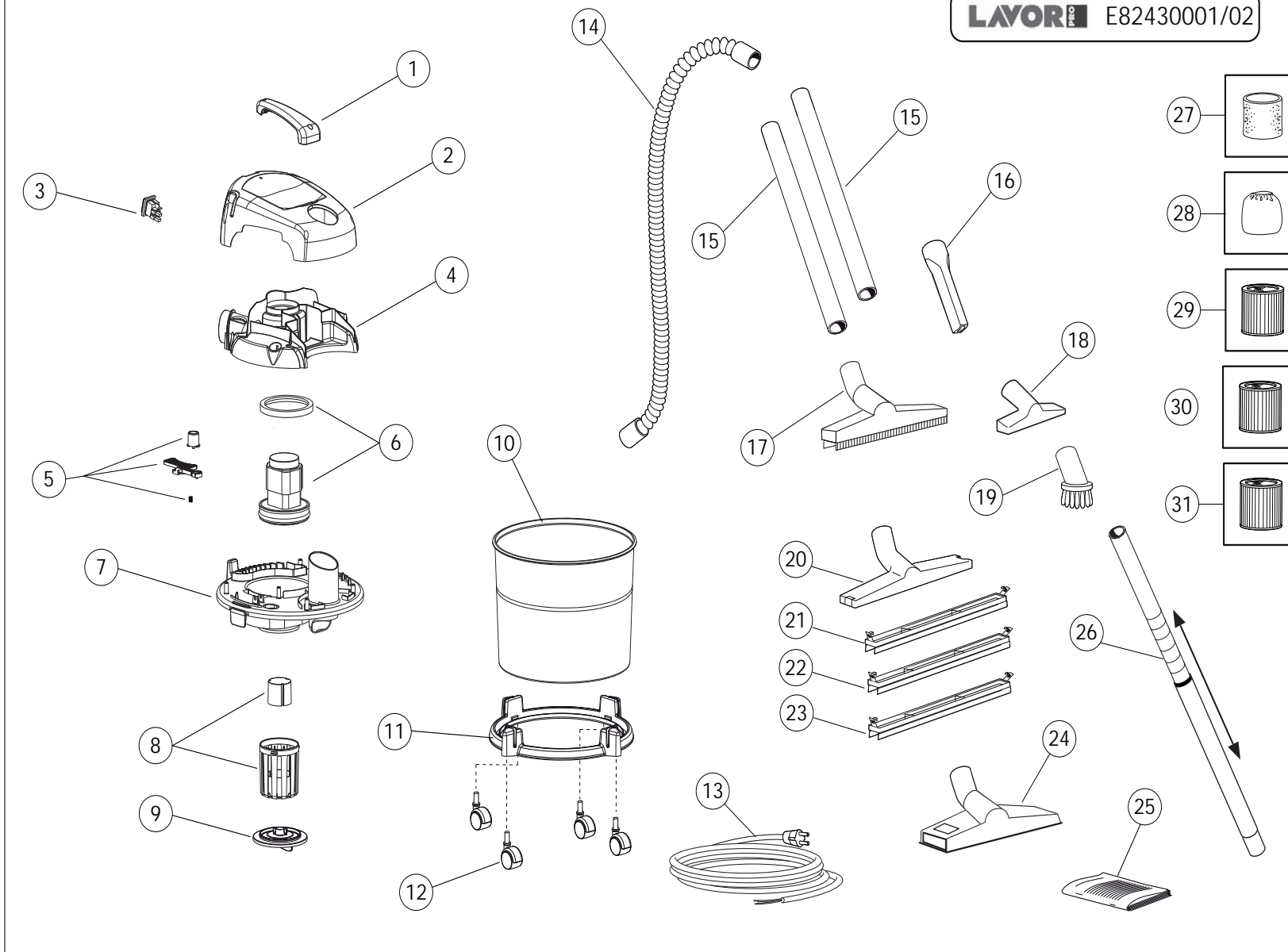


# LAVORWASH

## SERVICE

Parts

CODE	<b>8.243.0002</b>
DESCRIPTION	<b>VACUUM CLEANER VAC 20 S WET&amp;DRY 220-240/50-60 LWS</b>
REVISION	<b>6/12/2011</b>
VALIDITÀ	<b>WEEK 11 2013</b>



Pos.	Code	Price	Q.ty per	Qty.	Description	Alternative	Price	Q.ty per	Description
001	5.212.0103	10	2	1	ASSEMBLY HANDLE + SCREWS		0	0	
002	4.208.0540	10	2	1	COVER VACUUM CLEANER VAC P82.0531		0	0	
003	5.009.0213	10.4	2	1	SWITCH WITH PROTECTION 12(10)		0	0	
004	4.208.0541	10	2	1	CONVEYOUR VACUUM CLEANER VAC P82.0531		0	0	
005	6.205.0146	0	1	1	KIT SHACKER FILTER VAC		0	0	
006	6.205.0147	50	1	1	KIT MOTOR + GASKET VAC		0	0	
007	4.208.0542	10	2	1	BASE FOR MOTORS VACUUM CLEANERVAC		0	0	
008	6.205.0148	0	1	1	KIT BASKET + FLOAT VAC		0	0	
009	4.208.0359	2.08	10	1	LOCKING DISC FOR VACUUM FILTER		0	0	
010	3.751.0054	0	1	1	TANK 20LT		0	0	
011	4.208.0531	10	2	1	WHEEL SUPPORT BASE FOR STEEL TANK		0	0	
012	3.754.0199	4.5	5	4	TWINNED WHEEL PIVOTING,BLACK D.40 ,STEEL PIN.		0	0	
013	4.012.0091	7.7	4	1	CABLE H05VV-F 2X0,75 MT.4 SCHUKO PLUG		0	0	
014	3.753.0121	16	2	1	FLEXIBLE HOSE 1,5mt		0	0	
015	3.753.0072	5.2	4	2	EXTENSIONS HOSE MT.0.45 D.35 (SP.EC)		0	0	
016	3.754.0005	2.08	10	1	LANCE D.35 (SPIVAL 00100002)		0	0	
017	3.754.0249	20	1	1	BRUSH DUST/LIQUID ECO D.35		0	0	
018	3.754.0004	2.08	10	1	TOOL D.35 (00100003)		0	0	
019	3.754.0015	2.6	10	1	PLASTIC BRUSH D.35		0	0	
020	3.754.0188	9.6	3	1	BODY FOR ACCESSORY POND CLEANER D.35		0	0	
021	3.754.0189	10.4	2	1	FLOOR BRISTLED TOOL		0	0	
022	3.754.0190	10.4	2	1	WET ACCESSORY		0	0	
023	3.754.0191	10.4	2	1	WET & DRY ACCESSORY (SP.EC) 005064.020		0	0	
024	3.754.0016	20.8	1	1	RECTANGULAR BRUSH D.35 (INOX)		0	0	
025	7.300.0419	0	1	1	MANUAL VACUUM CLEANERS VAC +CELWS		0	0	
026	3.753.0103	12.48	2	1	STEEL TELESCOPIC EXTENSION D.335		0	0	
027	3.752.0175	4.73	5	1	FOAM FILTER X GT	5.212.0030	5.2	5	FOAM FILTER
028	3.752.0237	4.16	6	1	RESUABLE FILTER (GREY)		0	0	
029	3.752.0187	6.5	4	1	CARTRIDGE OPEN FILTER FOR GT (micron 7) ESP.03		0	0	
030	3.752.0195	11.44	3	1	HEPA FILTER OPEN FOR GT (0,3micron) ESP.03		0	0	
031	3.752.0196	11.96	2	1	WASHABLE CARTRIDGE FILTER		0	0	
<b>8.243.0002</b>	<b>R82430002-1</b>	<b>ASPIR.VAC 20 S WET&amp;DRY 220-240/50-60 LWS</b>							

