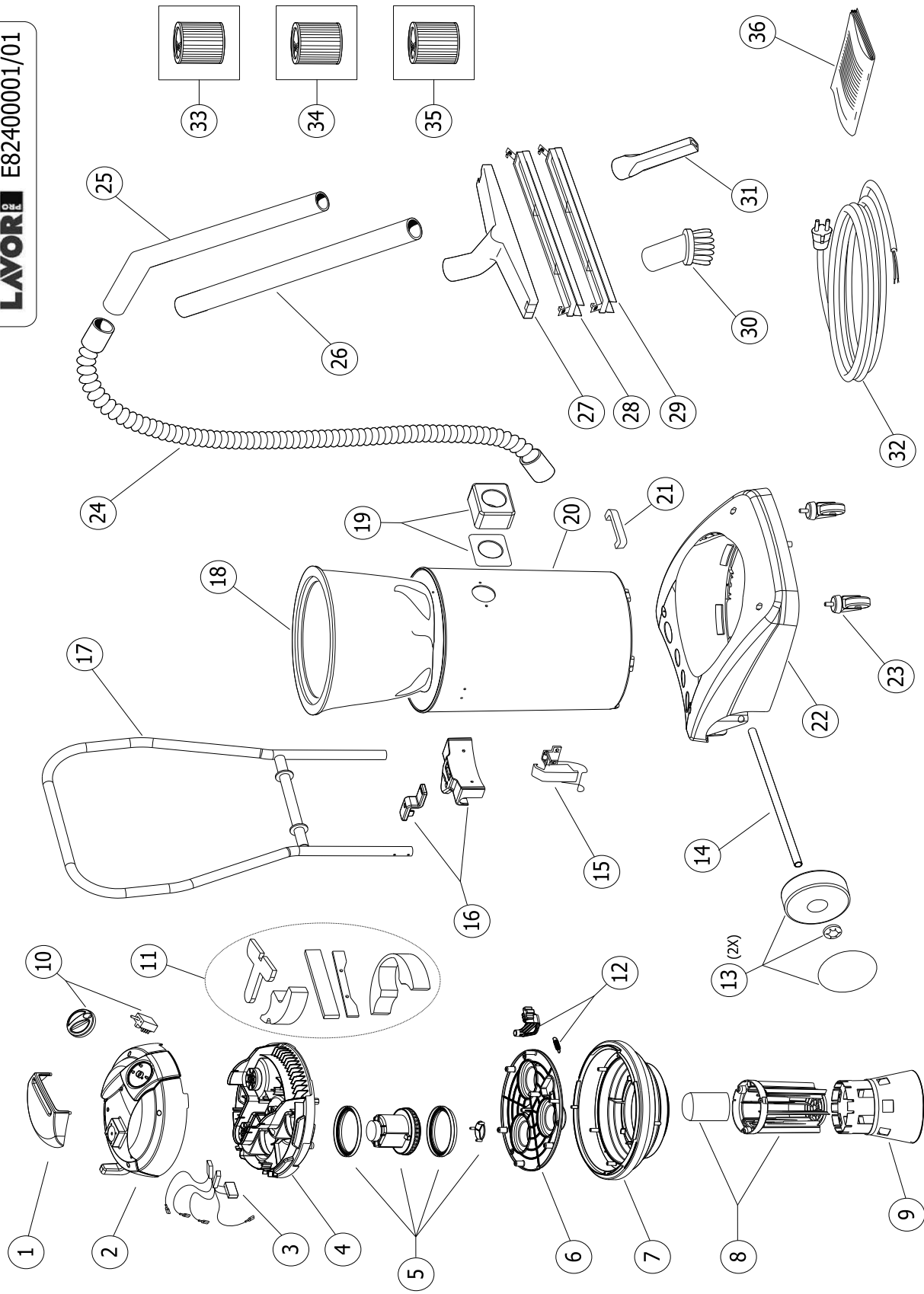


LAVOR E82400001/01



LISTA RICAMBI

CODICE: 8.240.0001 **REV.:** 1 **DESCRIZIONE:** WINDY 365IR WET&DRY 220-240/50-60 EU LAVOR PRO

DATA INIZIO VAL.: 03/18/2011 **DATA FINE VAL.:** 01/01/3000

CODICE GRUPPO: R82400001 **REV.:** 1 **DESCRIZIONE:** WINDY 365IR WET&DRY 220-240/50-60 EU LAVOR PRO

DATA INIZIO VAL.: 03/18/2011 **DATA FINE VAL.:** 01/01/3000 **N. TAVOLA:** E82400001/01

CODICE:	DESCRIZIONE:	QTA':	POS:	RIF1:	RIF2:
4.208.0528	HANDLE VACUUM CLEANER P82.0487	1	01		
4.208.0512	COVER FOR ROTARY SWITCH VACUUM CLEANER P82.0487	1	02		
4.212.0038	WIRING CABLES FOR WINDY	1	03		
4.208.0520	UNDER COVER VACUUM CLEANER P82.0487	1	04		
6.205.0140	KIT MOTOR + GASKETS WINDY	3	05		
4.208.0523	WASHER LOWER + FILTER SHAKER VACUUM CLEANER P82.0487	1	06		
4.208.0521	BASE FOR MOTORS VACUUM CLEANER P82.0487	1	07		
6.205.0145	KIT BASKET + FLOAT WINDY	1	08		
4.208.0076	CONE	1	09		
6.205.0141	KIT SWITCH +KNOB WINDY	1	10		
6.205.0142	KIT SPONGES WINDY	1	11		
6.205.0143	KIT SHAKER WINDY	1	12		
6.205.0069	KIT WHEELS FOR TAURUS/DOMUS/ZE US/APOLLO	1	13		
4.207.0005	WHEELS AXLE FOR ZEUS-DOMUS-TAU RUS D.15 L.490	1	14		
3.099.0454	HOOK 2.05/621 ZNT FOR BODY TAURUS '03	2	15		
6.205.0144	KIT LOCKING TANK WINDY	1	16		
5.213.0010	HANDLE FOR TIPPING TROLLEY WINDY	1	17		
5.209.0169 6.205.0151	CLOTH FILTER + RING	1	18		
6.205.0071	KIT GASKET+PIPE UNION FOR PROF ESSIONAL VACCUM	1	19		
3.751.0053	WINDY FIXED TANK INOX AISI 430BA 65LT	1	20		
4.208.0132	HANDLE FOR DRUM (ZEUS-DOMUS- TAURUS).	1	21		
4.208.0286	ZEUS BASE '03 (DARK GREY 7016)	1	22		
3.006.0058	WHEEL PIV. D.60 H82 M10x20 XEC O VERSION (A122211TGN)	2	23		
5.209.0021	COMPLETE FLEX	1	24		
3.753.0109	CURVED EXTENSION D.40MM	1	25		
3.753.0110	EXTENSION D.40MM	1	26		
3.754.0083	BRUSH D.37 L=400 MM	1	27		
3.754.0085	LIQUID FLOOR BRUSH	1	28		
3.754.0084	BRISTLES FLOOR BRUSH	1	29		
3.754.0049	ROUND BRUSH D.40	1	30		
3.754.0048	FLAT LANCE D.40	1	31		
4.012.0217	CABLE H05VV-F 2X1.5 MT 7.5 SP. SCHUKO F/F ESP.OO	1	32		
3.752.0245	CARTRIDGE FILTER FOR WINDY ESP.00	1	33	OPT.	
3.752.0246	HEPA FILTER FOR WINDY ESP.00	1	34	OPT.	
3.752.0247	WASHABLE FILTER FOR WINDY ESP.00	1	35	OPT.	
7.300.0415	INSTRUCTION MANUAL FOR WINDY	1	36		