

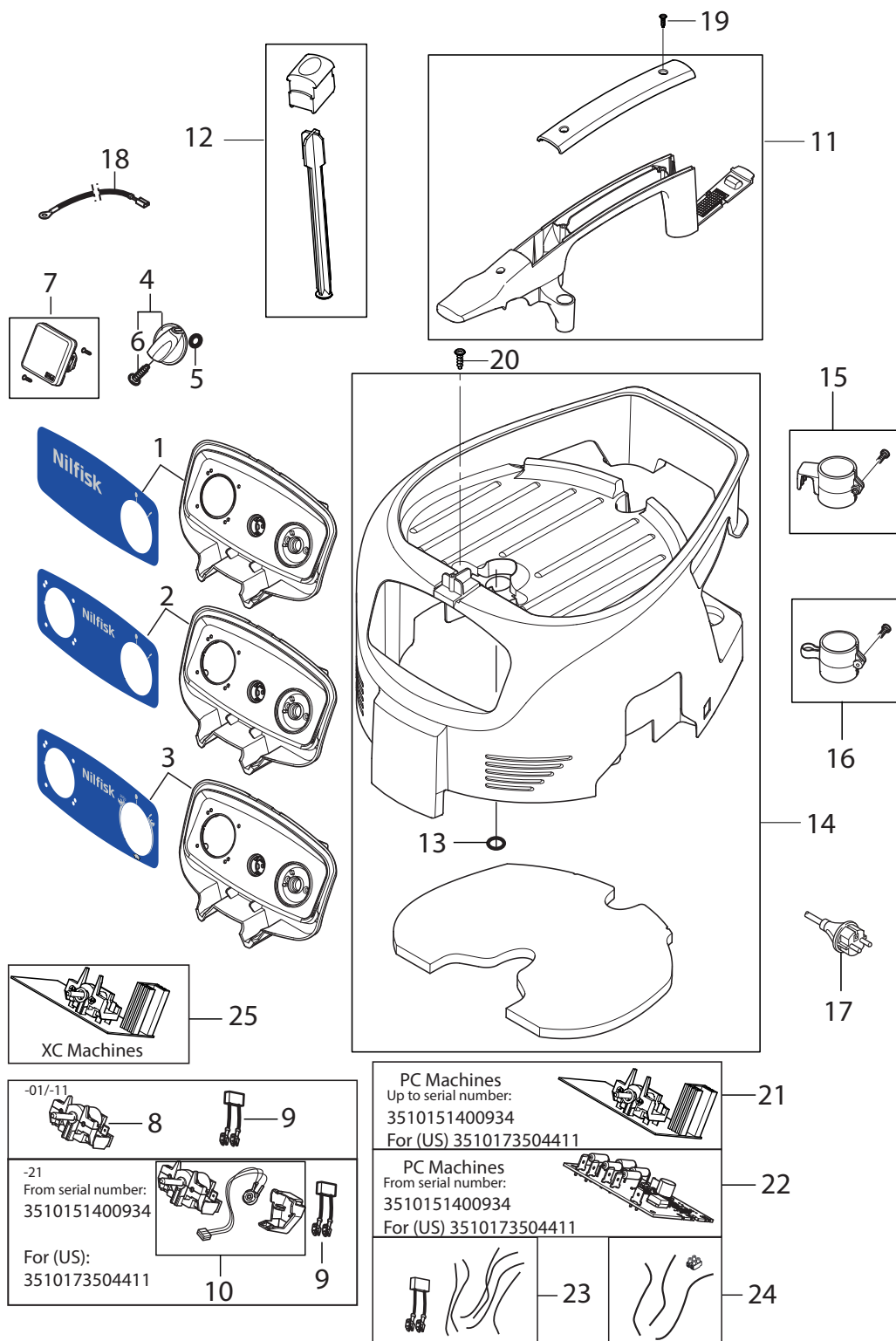
PARTS LIST



2021.10.03

TABLE OF CONTENTS

Gehäuse PC, Basic, XC	1
EC und Clean Room Gehäuse	4
Filtersystem PC & Basic	6
Filterabreinigungssystem XC ab 2009	8
Motor, Basic und PC	10
Motor XC	12
EC und Clean Room Motor	14
Behälter ATTIX 50	16
Accessories	18
RECOMMENDED SPARE PARTS	20



Pos.	Artikel-Nr.	Menge	Variante	Notes
00	302003502	1	Verpackungskarton	
00	302003503	1	BOX KIT ATTIX 40	
00	302003504	1	Verpackung ATTIX 50	
1	302004047	1	Schaltkasten NILFISK-ALTO	
2	302004048	1	Schaltkasten NILFISK-ALTO	
3	302004049	1	Schaltkasten NILFISK-ALTO	[1]
4	909100204	1	Drehknopf 6x5 blau	
5	9868	1	O-Ring 10x2,5	
6	32526	1	Schraube BL- 2,9X19 B	
7	302004036	1	Steckdose	
7	302004336	1	Steckdose 2 polig 13A.	
7	107400060	1	STECKDOSE 16A/250V DK	
7	302004034	1	Steckdose	
7	107400059	1	Steckdose 10A/250V CH	
7	107400057	1	STECKDOSE 16A/110V GB	
7	302004338	1	SOCKET 15A/125V US/CSA	
8	107413448	1	ROTARY SWITCH 2 POS 16A KIT	[2]
9	107404542	1	Entstörkondensator	
10	107413449	1	ROTARY SWITCH 3 POS+REG 16A KIT	[3]
11	302004050	1	Traggriff	[4]
11	107400062	1	Griff Attix 30 40 50 PC	[5]
12	302004051	1	FILTER ENTSTAUBER	[6]
13	302004061	1	O-RING 25X2 NBR 70	
14	107400061	1	ABDECKUNG SCHWARZ BASIC X	
14	302004046	1	ABDECKUNG SCHWARZ PC	
15	302004027	1	Halter	
16	107400064	1	ROHRHALTER	
17	107402644	1	Netzkabel H05RR-F2X0	[7]
17	107417418	1	POWER CORD KIT VCTF 1.25MM 3C JP PSE	[8]
17	107400268	1	CORD H05RR-F 2X0.75 GB	
17	107409849	1	Anschlussleitung AUS, NZ	[9]
17	302004038	1	Anschlussleitung GB, IRL, MAL	[10]
17	302004332	1	NETZKABEL US	[11]
17	107402642	1	Netzkabel	[12]
17	107400267	1	Anschlussleitung CH	[13]
17	302004014	1	Anschlussleitung Europa	[14]
17	107402641	1	Anschlussleitung Europa	[15]
17	107400272	1	CORD H05RR-F 3G1.5 ZA	[16]
17	302004040	1	Anschlussleitung J	[17]
17	107400271	1	Anschlussleitung H07BQ-F 3G2.5 GB	[18]
17	107400270	1	Anschlussleitung H05RR-F 3G1,5 BS1 363 G	[19]
17	107400266	1	Kabel H05RR-F 2X0.75 Attix 30-01	[20]
17	107409133	1	POWER CORD EU	[21]
18	107400263	1	Kabel 2,5X150 YE/GR	
18	107400264	1	Kabelsatz 1x150 220V-240V	
19	302004032	1	Schraube 3.5X18	
20	302004029	1	SCREW 5X18	
21	302004060	1	Ein Aus Schalter Softstar	[22]
21	302004011	1	Auto On-Off Schalter Elektronik	[23]
21	107400470	1	AUTO EIN-/AUS-ELEKTRONIK PC	[24]
22	107413465	1	SOFTSTART PCBA 1-STAGE KIT1 220-240V	[25]
22	107413466	1	PCBA 1M-1S KIT1 100-120V	[26]
22	107413467	1	AUTO ON/OFF PCBA 1-STAGE KIT1 220-240V	[27]
22	107413468	1	AUTO ON/OFF PCBA 1-STAGE KIT1 100-120V	[28]
23	107414081	1	WIRE/CAPACITOR KIT1	
24	107414082	1	WIRES FOR US SOCKET KIT	[29]
25	107400261	1	Elektronik Attix 30,50 XC	[30]
25	107400260	1	Elektronik Attix 30,50 XC	[31]

Part Notes:

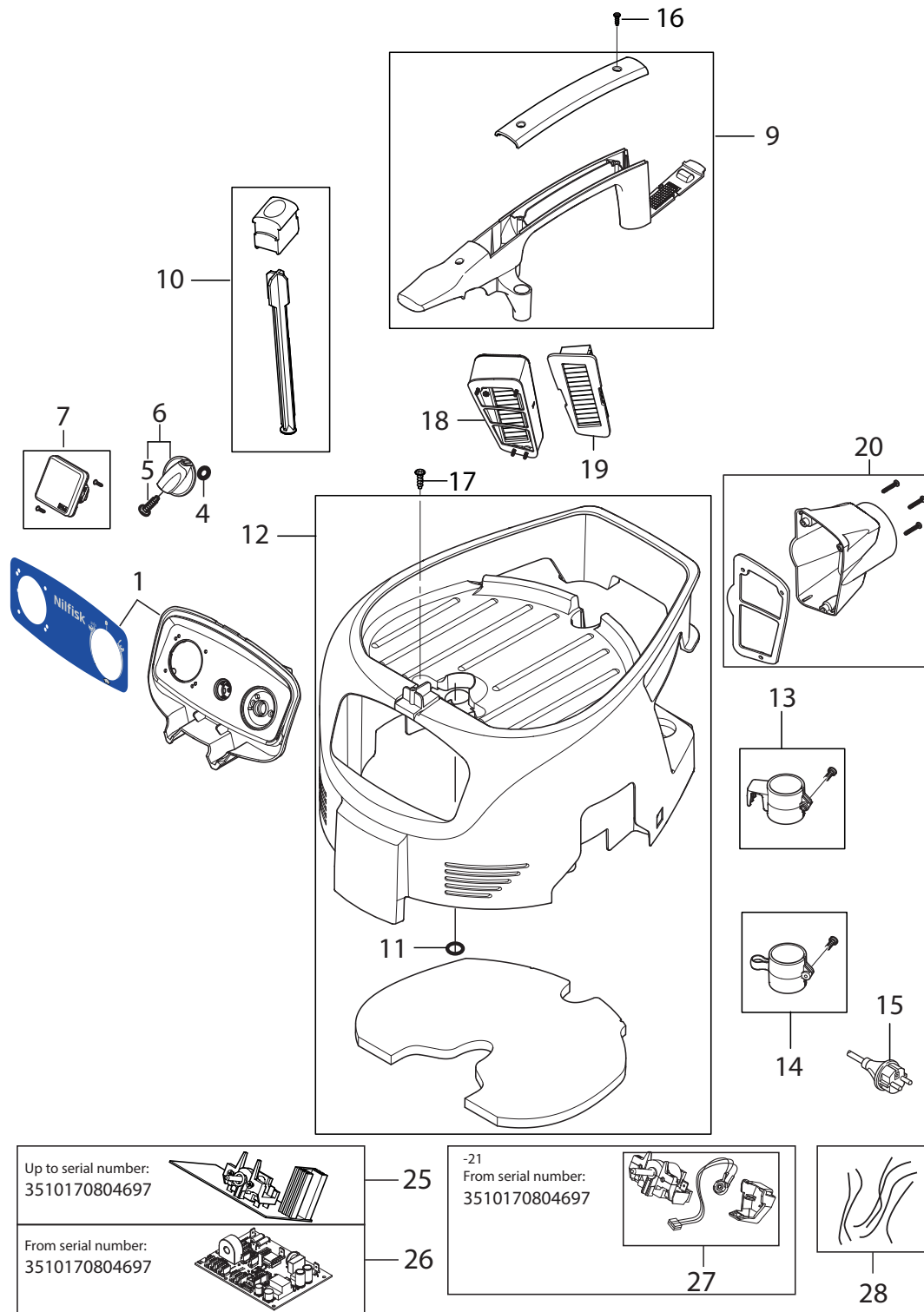
- [1] - for Push clean and XC
- [2] - for -01 PC without softstart
- [3] - From Serial Number 3510151400934
- [4] - Basic/XC
- [5] - for Push clean
- [6] - Only Push Clean models
- [7] - 220-240V 50/60HZ EU
- [8] - 100V 50/60HZ JP
- [9] - ATTIX 30-01 PC 240V 50HZ AU
- [10] - GB
- [11] - 120V 60HZ US
- [12] - DK - grounding
- [13] - 220-240V 50/60HZ CH
- [14] - ATTIX 30-01 PC 220-240V 50/60HZ EU
- [15] - 21 XC 230/1/50 EU
- [16] - 220-240V 50/60HZ ZA
- [17] - 100V/50-60HZ JP (Approval UL)
- [18] - 110 1 50 GB
- [19] - 0H PC 230/1/50 GB, 2M PC 230/1/50 GB
- [20] - 230/1/50 CH
- [21] - Orange 220-240V 50/60HZ EU
- [22] - for -01 PC, -11PC (230-240V)

- Up to Serial Number 3510151400934
- Up to Serial Number(US) 3510173504411
PB-COM-LI-2015-001 ATTIX 30-40-50 PC_New Electronics
- [23] - for -21 PC (230-240V)

- Up to Serial Number 3510151400934
- Up to Serial Number(US) 3510173504411
PB-COM-LI-2015-001 ATTIX 30-40-50 PC_New Electronics
- [24] - for -21 PC (110-120V)

- Up to Serial Number 3510151400934
- Up to Serial Number(US) 3510173504411
PB-COM-LI-2015-001 ATTIX 30-40-50 PC_New Electronics
- [25] - -01 PC, -11 PC (230-240V),
From Serial Number 3510151400934

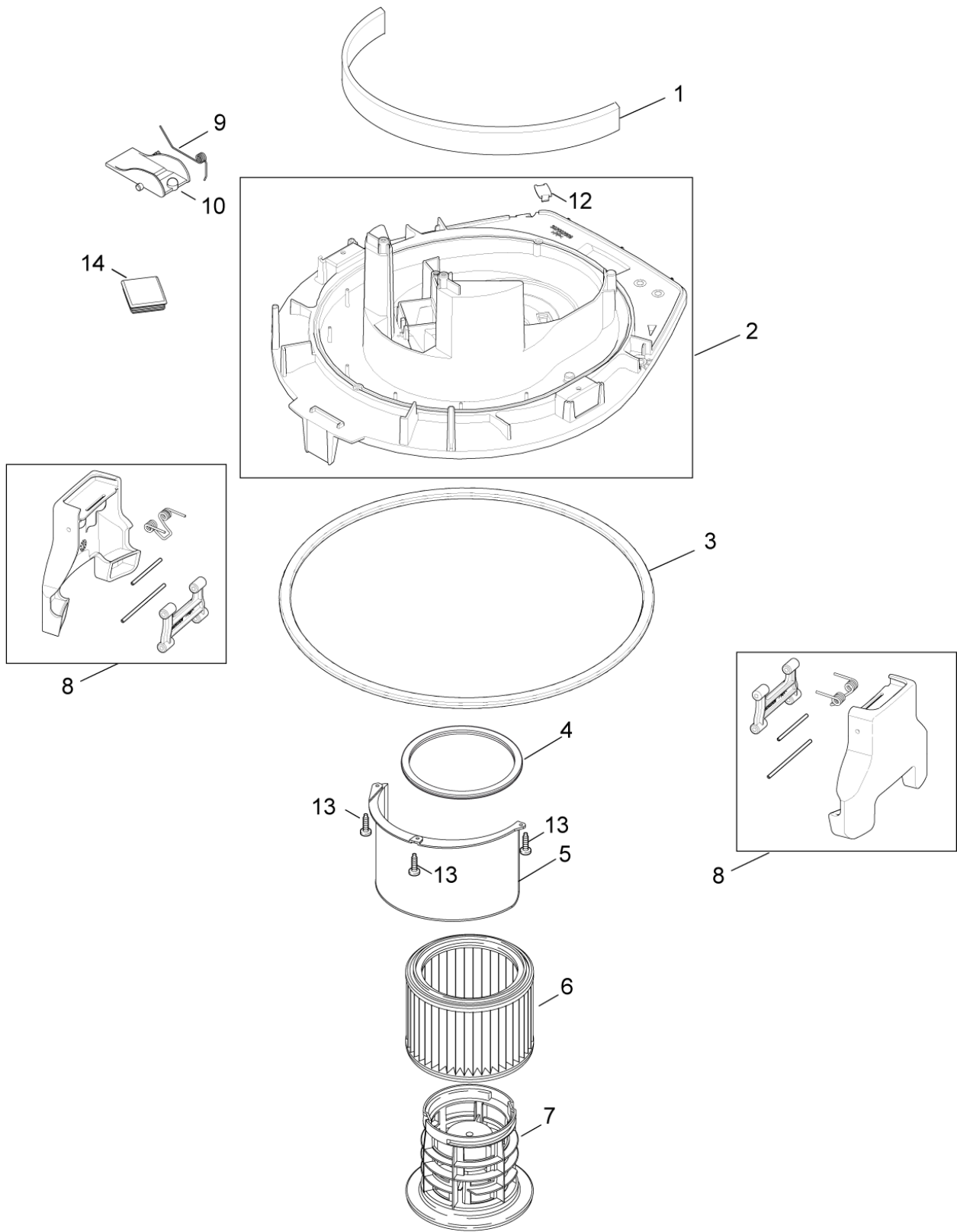
- PB-COM-LI-2015-001 ATTIX 30-40-50 PC_New Electronics
- [26] - -01 PC (110-120V) From Serial Number(US) 3510173504411
PB-COM-LI-2015-001 ATTIX 30-40-50 PC_New Electronics
- [27] - -21 PC (230V), From Serial Number 3510151400934
PB-COM-LI-2015-001 ATTIX 30-40-50 PC_New Electronics
- [28] - -21 PC (100-120V) From Serial Number (US) 3510173504411
PB-COM-LI-2015-001 ATTIX 30-40-50 PC_New Electronics
- [29] - US only
- [30] - for -21 XC (100-120V)
PB-COM-LI-2015-001 ATTIX 30-40-50 PC_New Electronics
- [31] - for -21 XC(230-240V)
PB-COM-LI-2015-001 ATTIX 30-40-50 PC_New Electronics



Pos.	Artikel-Nr.	Menge	Variante	Notes
1	302004049	1	Schaltkasten NILFISK-ALTO	
4	9868	1	O-Ring 10x2,5	
5	32526	1	Schraube BL- 2,9X19 B	
6	909100204	1	Drehknopf 6x5 blau	
7	302004034	1	Steckdose	
9	107400062	1	Griff Attix 30 40 50 PC	
10	302004051	1	FILTER ENTSTAUBER	
11	302004061	1	O-RING 25X2 NBR 70	
12	302004046	1	ABDECKUNG SCHWARZ PC	
13	302004027	1	Halter	
14	107400064	1	ROHRHALTER	
15	107402641	1	Anschlussleitung Europa	
16	302004032	1	Schraube 3.5X18	
17	302004029	1	SCREW 5X18	
18	302003721	1	Motor-Kühlfiter-Set	[1]
19	107400453	1	Filter f. Motorkühlung	[1]
20	302003717	1	Abluffitting-Behälter	[1]
25	107400730	1	ELECTRONICS 21 PC EC 230V	
26	107416928	1	PCBA AUTO ON/OFF 1M -1S EC KIT1 220-240V	
27	107413449	1	ROTARY SWITCH 3 POS+REG 16A KIT	
28	107416927	1	WIRE/CAPACITOR KIT2	

Part Notes:

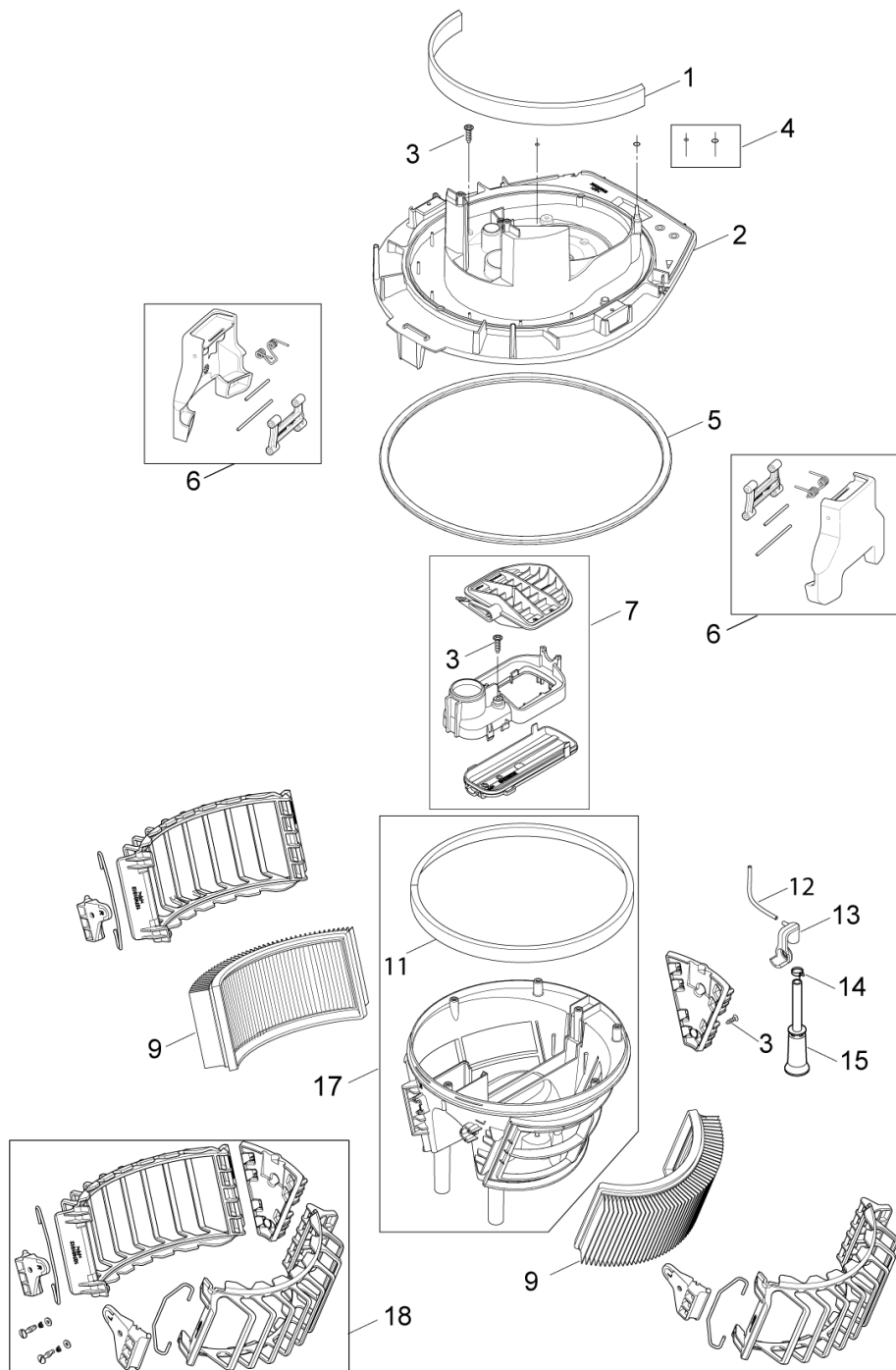
[1] - Only Clean Room



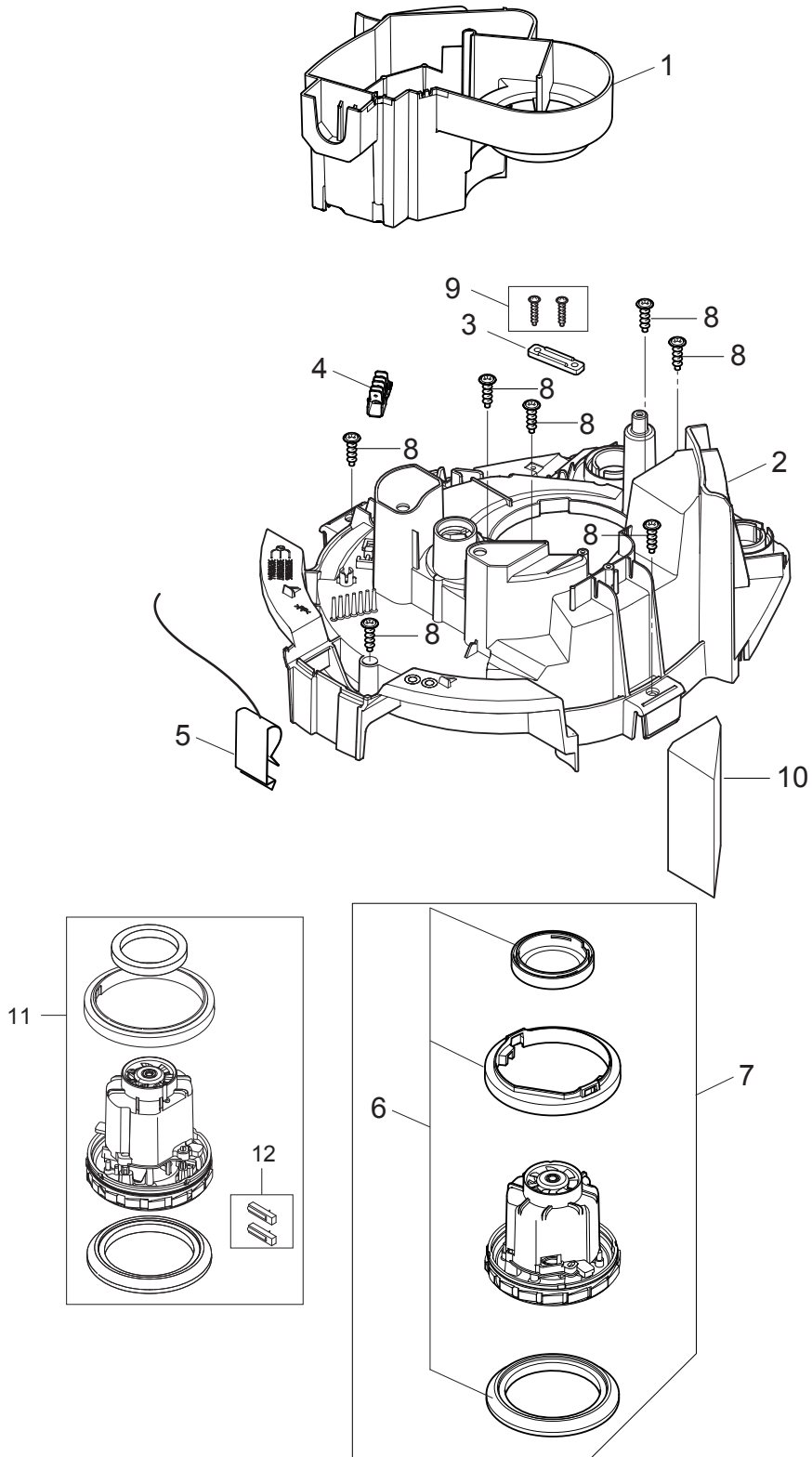
Pos.	Artikel-Nr.	Menge	Variante	Notes
1	302004010	1	Dämmeinlage	
2	302004007	1	Motorgehäuse	
3	107400056	1	GASKET FOR CONTAINER	[1]
3	302004008	1	Dichtring	[2]
4	302000460	1	Dichtring	
5	302004016	1	Abweiser	
6	302000490	1	Filterelement M-Klasse Ø 185x140 mm	
6	302001095	1	HEPA Filterelement Ø185X140 mm	[3]
6	302000658	1	Filterelement H-Klasse, Ø 211x140 mm	[4]
7	107402646	1	Filterkorb	
8	107400301	2	Klammer	[5]
9	909100083	1	Schenkelfeder	
10	302000344	1	Klappe	
12	107401937	1	Stopfen Grundplatte, Kit	[6]
13	302004029	3	SCREW 5X18	
14	302004058	1	ABDICHTUNG FÜR BASIC	

Part Notes:

- [1] - ATTIX 50
- [2] - ATTIX 30
- [3] - HEPA
- [4] - FOR ATTIX 50-21 PC CLEAN ROOM
- [5] - For machines produced before serial number 09110030030
use Container upgrade kit 107400311, ATTIX 30 or 107400312, ATTIX 50Vac-092 clamp and container
- [6] - For machines up to week 35.2011



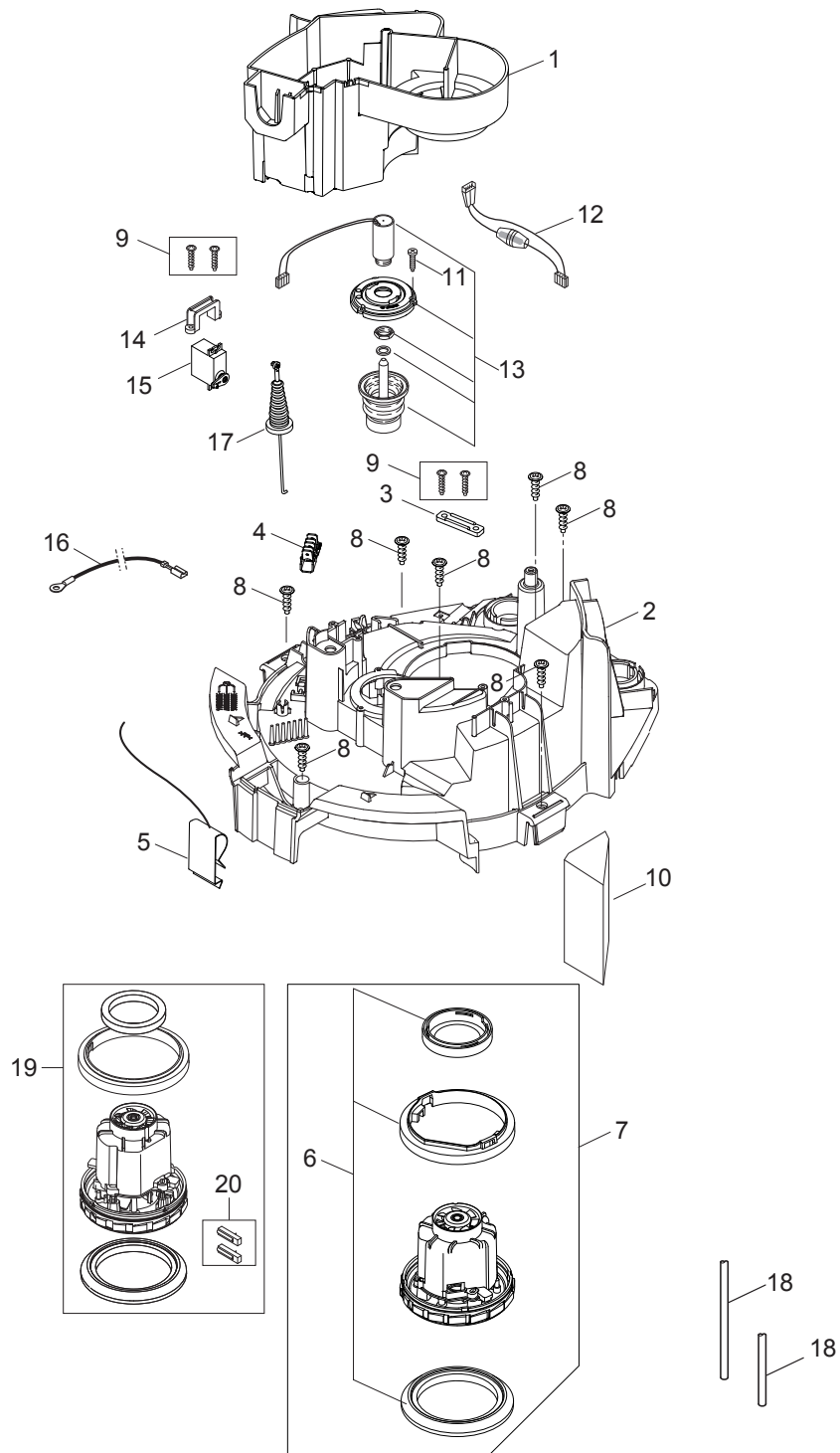
Pos.	Artikel-Nr.	Menge	Variante	Notes
1	302004010	1	Dämmeinlage	
2	107400300	1	Grundplatte XC	
3	302004029	9	SCREW 5X18	
4	107400274	1	O-RING XC KIT	
5	107400056	1	GASKET FOR CONTAINER	
6	107400301	2	Klammer	
7	107400277	1	Deckel für ATTIX 50-21 XC	
9	302002842	1	Flachfilter 2 Stück	
11	107400283	1	Abdichtung XC	
12	107400855	1	HOSE D3X1.5 TURBINE	
13	107400310	1	Halterung Niveauschalter	
14	107400285	1	Drahtklemme	
15	107400303	1	Schlauch D42X155	
17	107400302	1	Filterklammer XC	
18	107402255	1	Filterbefestigungskit	



Pos.	Artikel-Nr.	Menge	Variante	Notes
1	302004015	1	Luftkanal	[1]
2	302004009	1	Deckel	
3	302004030	1	Lasche	
4	302004031	1	Steckverteiler	
5	302004023	1	Ableiter	
6	302003385	1	Satz Gummiringe	
7	302003384	1	Elektromotor 230/240 V	
7	302004006	1	Elektromotor 100 V/50, 60 Hz JP	
8	302004029	7	SCREW 5X18	
9	302004032	1	Schraube 3.5X18	
10	302004045	1	Diffusor	
11	107417417	1	MOTOR KIT 1000W 110-120V 50/60HZ	[2]
12	107417399	1	CARBON BRUSH ASSY KIT 2 PCS 110-120V	[2]

Part Notes:

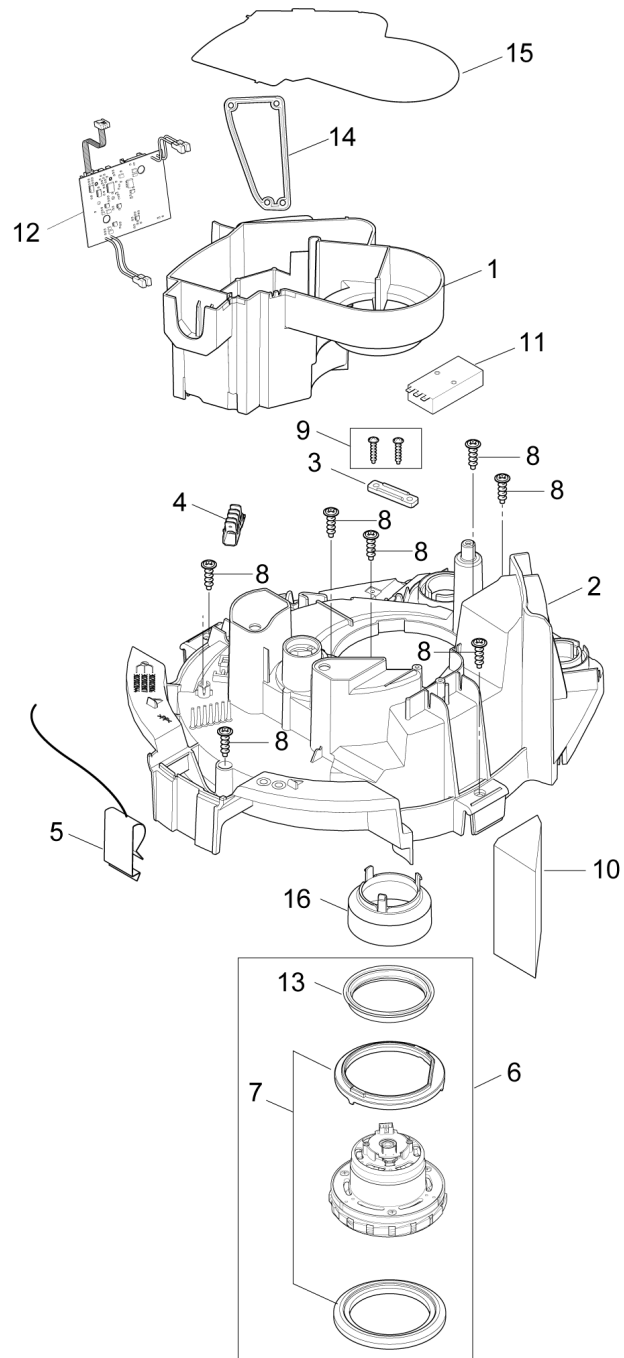
- [1] - During service or repair of vacuum head always change Airguide 302004015 and Cover for air circuit 107401051
- [2] - 110V 50HZ GB, 120V 60HZ US
- TSB-LI-VACS-2016-001 New Attix 30 and Attix 50 motor



Pos.	Artikel-Nr.	Menge	Variante	Notes
1	302004015	1	Luftkanal	[1]
2	107400287	1	Spannplatte XC	
3	302004030	1	Lasche	
4	302004031	1	Steckverteiler	
5	302004023	1	Ableiter	
6	302003385	1	Satz Gummiringe	
7	302003384	1	Elektromotor 230/240 V	
7	302004006	1	Elektromotor 100 V/50, 60 Hz JP	
8	302004029	7	SCREW 5X18	
9	302004032	2	Schraube 3.5X18	
10	302004045	1	Diffusor	
11	302003319	3	SCREW KIT ATTIX/IVB	
12	107410697	1	SOLENOID FUSE WIRE 230V AT 0,5A KIT	
13	107400291	1	Magnet 230v	
13	107400292	1	MAGNET 12V FPR 110V	
14	107400289	1	Halterung Servo	
15	107400290	1	Servo XC	
16	107400262	1	Kabel 1x200 gelb/grün	
17	107400276	1	Servokabel XC	
18	107400309	2	Schlauch D3X1,5	
19	107417417	1	MOTOR KIT 1000W 110-120V 50/60HZ	[2]
20	107417399	1	CARBON BRUSH ASSY KIT 2 PCS 110-120V	[2]

Part Notes:

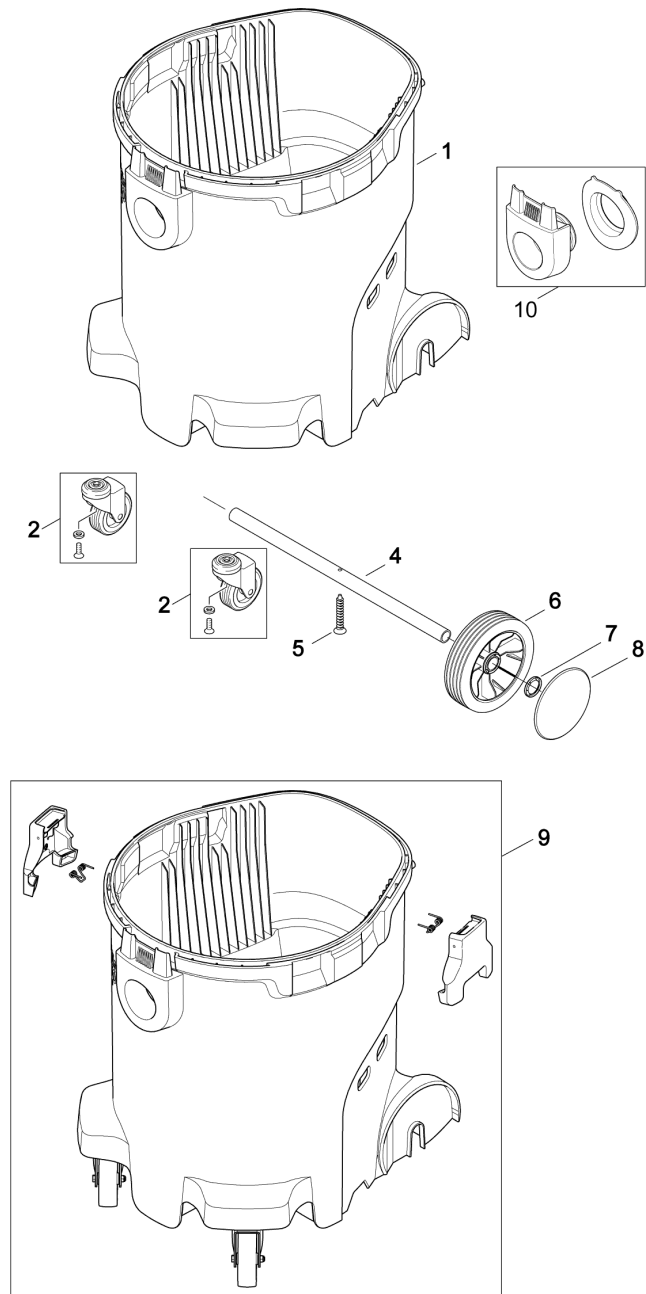
- [1] - During service or repair of vacuum head always change Airguide 302004015 and Cover for air circuit 107401051
- [2] - 110V 50HZ GB, 120V 60HZ US
TSB-LI-VACS-2016-001 New Attix 30 and Attix 50 motor



Pos.	Artikel-Nr.	Menge	Variante	Notes
1	302004015	1	Luftkanal	[1]
2	302004009	1	Deckel	
3	302004030	1	Lasche	
4	302004031	1	Steckverteiler	
5	302004023	1	Ableiter	
6	107400042	1	EC Motor Attix9 Typ 22	
7	302003648	1	Dichtungskit	
8	302004029	7	SCREW 5X18	
9	302004032	1	Schraube 3.5X18	
10	302004045	1	Diffusor	
11	107402619	1	Anzeige Filter	
12	107400044	1	EC Steuerung Attix 9	
13	47364	1	Dichtring 108x86x18	
14	107401050	1	Dichtung innen	[2]
15	107401051	1	Abdeckung für	[3]
16	107401936	1	Kappe	

Part Notes:

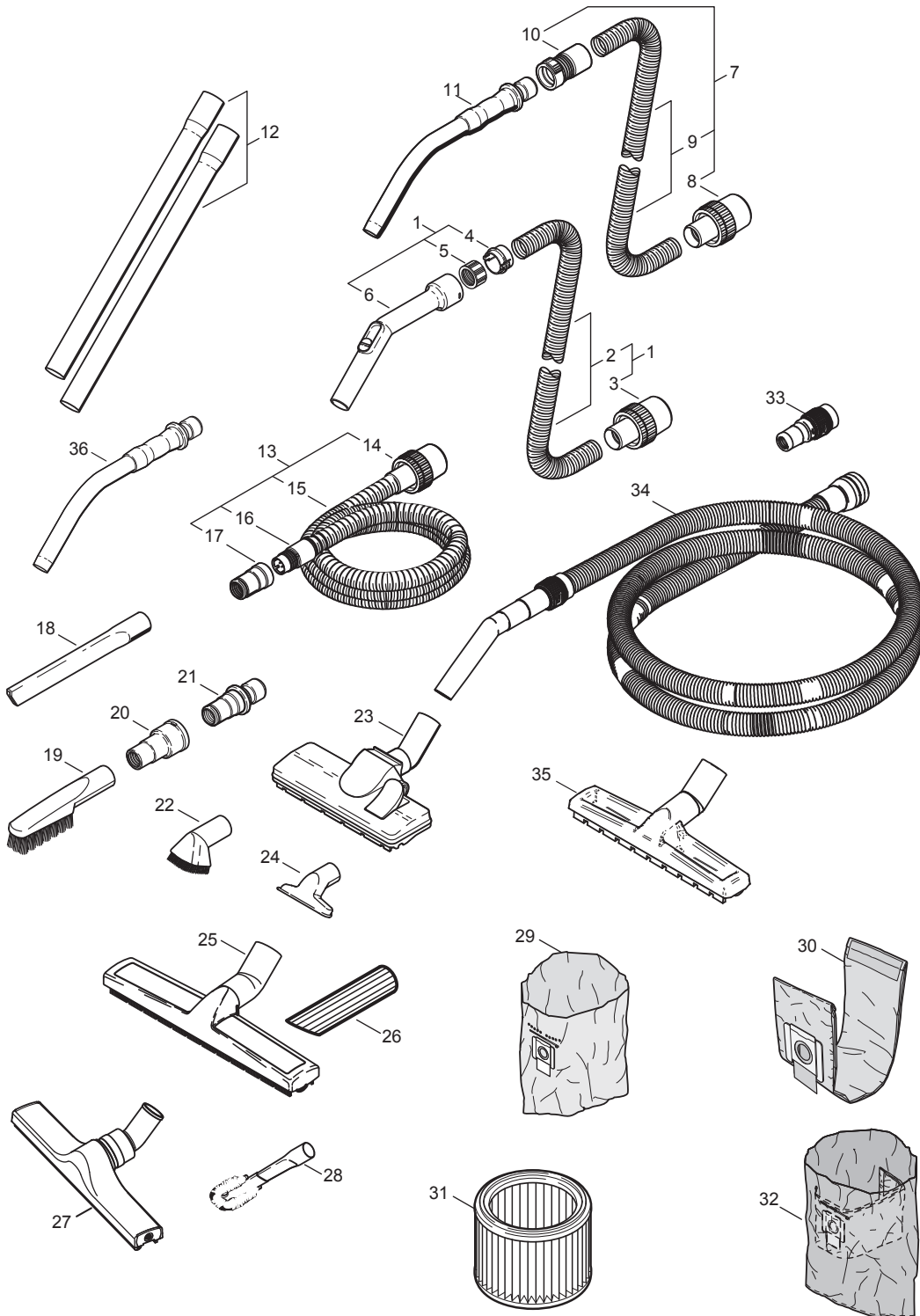
- [1] - During service or repair of vacuum head always change Airguide 302004015 and Cover for air circuit 107401051
- [2] - EC and Clean Room
- [3] - Clean Room -
- * Note: During service or repair of vacuum head always change Airguide 302004015 and Cover for air circuit 107401051



Pos.	Artikel-Nr.	Menge	Variante	Notes
1	107400305	1	Behälter mit Fitting	[1]
2	302004059	2	FRONT WHEEL FOR CONTAINER	
4	302004022	1	Achse	
5	107400063	1	SCREW 5X35	
6	302000639	2	Rad hinten IVB schwarz ¥ 150x20	
7	47302	2	Sich. Ring ¥ 28.6/ ¥20x	
8	67050	2	HUB CAP	
9	107400312	1	Behälter ATTIX 50	[1]
10	107402742	1	Anschlussstutzen für	

Part Notes:

- [1] - TSB Vac-092 clamp and container For machines produced before serial number 09110030030 use Container upgrade kit 107400312



Pos.	Artikel-Nr.	Menge	Variante	Notes
1	302000473	1	Universalschlauch, Ø 32 mm x 3 m	
2	14240	1	Saugschlauch Ø 32 mm, Meterware	
3	15103	1	Muffe Ø 32x50 mm	
4	61154	1	Ring 32	
5	302000476	1	Überwurfmuffe 32	
6	60911	1	Handrohr Ø 32 mm/ Ø 35 mm	
7	46948	1	Saugschlauch, Ø 36 mmx3 m	
8	15102	1	Muffe Ø 36x50 mm	
9	11985	1	Saugschlauch Ø 36 mm , Meterware	
10	46690	1	Quicksystem-Muffe, Ø 36 mm, antistatisch	
11	302000528	1	Handrohr, gebog., verchromt, Ø 36 mm	
12	107408074	1	Verlängerungsrohr Edels. Ø36x505mm, VPE2	
12	302000529	1	Verlängerungsrohre Ø36x505 mm, VPE 2	
12	107400032	1	Verlängerungsrohr Alu Ø36x500mm, VPE 2	
13	107406091	1	Saugschlauch D27x3500 mit Werkzeugadapte	
14	15369	1	Muffe Ø 27x50 mm, antistatisch	
15	15326	1	Saugschlauch Ø 27 mmx1 m, Meterware	
16	63509	1	Muffe Ø 27 mm	
17	107404520	1	Werkzeugadapter, Ø 27 mm/36-24 mm	
18	6084	1	Fugendüse Ø 36x300 mm	
19	6086	1	Bürstendüse Ø 36x230 mm, PP/PA	
20	60916	1	Werkzeugadapter Ø 27 mm/35 mm/38 mm	
21	302000535	1	Werkzeugadapter, Quicksystem, Ø 27 mm	
22	5146	1	Saugbürste Ø36x70 mm, Kunststoff, PA/PP	
23	302000477	1	Bodendüse, Ø 36x260 mm	
24	14295	1	Universaldüse Ø 36x115 mm, Kunststoff	
25	60356	1	Profi-Bodendüse, Ø 36x360 mm	
26	5067	1	Schrägrohrdüse Ø36mm	
27	302003797	1	Ersatz-Gummilippen,	[1]
27	302003796	1	Ersatz-Bürstenleiste,	[1]
27	302003666	1	Profi-Bodendüse D36 400mm	
28	5144	1	Heizkörperbürstendüse	
29	302000728	1	Entsorgungssack (Set 5)	
30	107419592	1	VLIESFILTERBEUTEL 5 STK. ATTIX 40/50	
31	302000490	1	Filterelement M-Klasse Ø 185x140 mm	
32	107400233	1	Sicherheitsfiltersack VPE 5 Stück	
32	107400236	1	SICHERHEITSFILTERSACK VPE 5STK	
33	107409977	1	Werkzeugadapter, Ø 32 mm	[2]
34	107409976	1	Universalsaugschlauch, Ø 32 mmx3,5 m	[2]
35	107402706	1	Bodendüse D36 Nass-Trocken	
36	46691	1	Handrohr gebog., Ø 36 mm, Edelstahl	[3]
50	302003721	1	Motor-Kühlfiter-Set	[4]
50	302003717	1	Abluffitting-Behälter	[4]
50	302002842	1	Flachfilter 2 Stück	[4]
50	107400453	1	Filter f. Motorkühlung	[4]
50	302000490	1	Filterelement M-Klasse Ø 185x140 mm	[4]

Part Notes:

- [1] - For floor nozzle 302003666
- [2] - TSB-LI-VACS-2017-01 - AERO+ATTIX hose
- [3] - ATTIX 40
- [4] - See link

RECOMMENDED SPARE PARTS

ATTIX 50-01 PC

2017.11.02

2019.03.22

Pos.	Artikel-Nr.	Menge	Variante	Notes
01	107400267	1	Anschlussleitung CH	
01	107400044	1	EC Steuerung Attix 9	
01	107400730	1	ELECTRONICS 21 PC EC 230V	
01	107400300	1	Grundplatte XC	[1]
01	302000460	1	Dichtring	
01	302001095	1	HEPA Filterelement Ø185X140 mm	[2]
01	302004040	1	Anschlussleitung J	
01	302004038	1	Anschlussleitung GB, IRL, MAL	
01	107400292	1	MAGNET 12V FPR 110V	
01	107402619	1	Anzeige Filter	
01	302004060	1	Ein Aus Schalter Softstar	[3]
01	302000490	1	Filterelement M-Klasse Ø 185x140 mm	
01	302004006	1	Elektromotor 100 V/50, 60 Hz JP	
01	107400287	1	Spannplatte XC	
01	107400060	1	STECKDOSE 16A/250V DK	
01	107401051	1	Abdeckung für	[4]
01	302004059	1	FRONT WHEEL FOR CONTAINER	
01	302000728	1	Entsorgungssack (Set 5)	
01	302004011	1	Auto On-Off Schalter Elektronik	[5]
01	302004014	1	Anschlussleitung Europa	
01	107400057	1	STECKDOSE 16A/110V GB	
01	302003384	1	Elektromotor 230/240 V	
01	107400309	1	Schlauch D3X1,5	
01	302002842	1	Flachfilter 2 Stück	
01	47364	1	Dichtring 108x86x18	
01	47302	1	Sich. Ring ¥ 28.6/ ¥20x	
01	107400291	1	Magnet 230v	
01	107413448	1	ROTARY SWITCH 2 POS 16A KIT	[6]
01	302004336	1	Steckdose 2 polig 13A.	
01	107400272	1	CORD H05RR-F 3G1.5 ZA	
01	107417417	1	MOTOR KIT 1000W 110-120V 50/60HZ	
01	302003648	1	Dichtungskit	
01	302004008	1	Dichtring	[7]
01	107400270	1	Anschlussleitung H05RR-F 3G1,5 BS1 363 G	
01	107401936	1	Kappe	[8]
01	302003721	1	Motor-Kühlfiter-Set	[9]
01	107402255	1	Filterbefestigungskit	
01	107402641	1	Anschlussleitung Europa	
01	302003717	1	Abluftfitting-Behälter	[9]
01	302004015	1	Luftkanal	[10]
01	302004058	1	ABDICHTUNG FÜR BASIC	
01	107400276	1	Servokabel XC	
01	107401050	1	Dichtung innen	[8]
01	107400064	1	ROHRHALTER	
01	302004023	1	Ableiter	
01	107400283	1	Abdichtung XC	[1]
01	107400261	1	Elektronik Attix 30,50 XC	[11]
01	302000639	1	Rad hinten IVB schwarz¥ 150x20	
01	107409849	1	Anschlussleitung AUS, NZ	
01	302004007	1	Motorgehäuse	
01	107402646	1	Filterkorb	
01	107400312	1	Behälter ATTIX 50	[12]
01	302004009	1	Deckel	
01	107400266	1	Kabel H05RR-F 2X0.75 Attix 30-01	
01	107402255	1	Filterbefestigungskit	[13]
01	107419592	1	VLIESFILTERBEUTEL 5 STK. ATTIX 40/50	
01	302004332	1	NETZKABEL US	
01	107400056	1	GASKET FOR CONTAINER	[14]
01	107400271	1	Anschlussleitung H07BQ-F 3G2.5 GB	

RECOMMENDED SPARE PARTS

ATTIX 50-01 PC

2017.11.02

2019.03.22

Pos.	Artikel-Nr.	Menge	Variante	Notes
01	107400274	1	O-RING XC KIT	[1]
01	302004338	1	SOCKET 15A/125V US/CSA	
01	302004034	1	Steckdose	
01	107402644	1	Netzkabel H05RR-F2X0	
01	107400042	1	EC Motor Attix9 Typ 22	
01	107400059	1	Steckdose 10A/250V CH	
01	107400268	1	CORD H05RR-F 2X0.75 GB	
01	302003385	1	Satz Gummiringe	
01	302002842	1	Flachfilter 2 Stück	[1]
01	302004027	1	Halter	
01	107400301	1	Klammer	[12]
01	302004036	1	Steckdose	
01	107400277	1	Deckel für ATTIX 50-21 XC	[1]
01	107402642	1	Netzkabel	
01	107400453	1	Filter f. Motorkühlung	[9]
01	107400290	1	Servo XC	
01	107400260	1	Elektronik Attix 30,50 XC	[15]

Part Notes:

- [1] - FILTERSYSTEM XC
- [2] - HEPA
- [3] - FOR -11 PC & -01 PC WITH SOFTSTART
- [4] - CLEAN ROOM -

* NOTE TSB Vac-092 clamp and container For machines produced before serial number 09110030030 use Container upgrade kit 107400311, ATTIX 30 or 107400312, ATTIX 50 ** NOTE: During service or repair of vacuum head always change Airguide 302004015 and Cover for air circuit 107401051

- [5] - FOR -21 PC
- [6] - FOR -01 PC WITHOUT SOFTSTART
- [7] - ATTIX 30
- [8] - EC AND CLEAN ROOM
- [9] - ONLY CLEAN ROOM
- [10] - During service or repair of vacuum head always change Airguide 302004015 and Cover for air circuit 107401051
- [11] - 100-120V
- [12] - TSB Vac-092 clamp and container For machines produced before serial number 09110030030 use Container upgrade kit 107400311, ATTIX 30 or 107400312, ATTIX 50
- [13] - FILTERSYSTEM XC FROM 2009
- [14] - ATTIX 50
- [15] - 230-240V

