

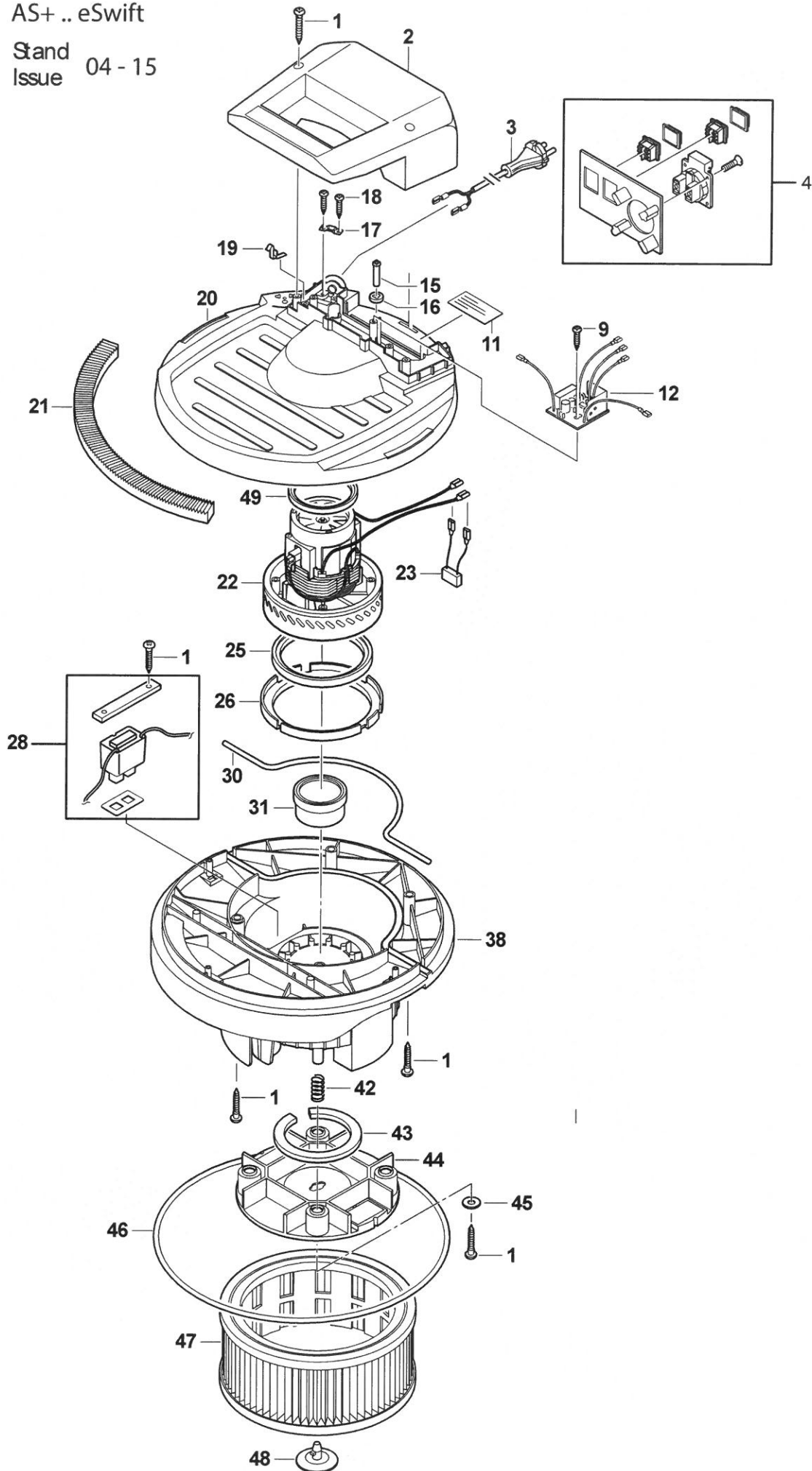
Stand/Issue: 15-06

A - NTS eSwift 1232
 B - NTS eSwift AR-1220
 C - NTS eSwift A-1232
 D - NTS eSwift 1220
 E - NTS eSwift 1220 K+K

| Pos.-Nr Item-No. | Benennung Name | | Typ Typ | Bestell-Nr. Part-No. | PG PG |
|---------------------|---------------------------|---------------------------|------------|-------------------------|----------|
| 1 | 35 x Spax Schraube | 35 x Spax srew | A-E | 408705 | 9 |
| 2 | Set Griff | Set grip | A-E | 441375 | 18 |
| 3 | Anschlussleitung | Power Cord | A+D+E | 595023 | 15 |
| 3 | Anschlussleitung | Power Cord | B+C | 595030 | 18 |
| 4 | Set Schalter | Set Switch | A+D+E | 441382 | 13 |
| 4 | Set Schalter AR | Set Switch AR | B | 441405 | 19 |
| 4 | Set Schalter A | Set Switch A | C | 441399 | 17 |
| 11 | Leistungsschild | Specification plate | A | 595054 | 1 |
| 11 | Leistungsschild | Specification plate | B | 595085 | 1 |
| 11 | Leistungsschild | Specification plate | C | 595078 | 1 |
| 11 | Leistungsschild | Specification plate | D | 595047 | 1 |
| 11 | Leistungsschild | Specification plate | E | 596136 | 1 |
| 12 | Elektronik AR | Electronic AR | B | 616728 | 21 |
| 12 | Elektronik A | Electronic A | C | 616629 | 20 |
| 15+16 | Set lagerbolzen+ Dichtung | Set bearing bolt + gasket | B | 409443 | 6 |
| 17 | Zugentlastung | strain relief | A-E | 531137 | 1 |
| 19 | Set Kontaktbügel | Set bow collector | B+C | 408484 | 5 |
| 20 | Haube | hood | A-E | 582139 | 14 |
| 23 | Kondensator | capacitor | A+D+E | 519098 | 5 |

| | | | | | |
|------------|---|-------------------------|---------|--------|-------|
| 9 | Motor 230V/1200W + Dichtung + Abstützung + Dichtung oben | Set Motor | A-E | 428482 | 39 |
| 28 | Set Rüttler | Set vibrating magnet | B | 441412 | 34 |
| 6+49 | Set Dichtungen (Dichtungsring + Moosgummi + Motorschutzfilter + Dichtungsring + Dichtung oben | Set gasket | A-E | 429663 | 13 |
| 31 | Schwimmer | Set float | A-E | 441153 | 11 |
| 38 | Gehäuse unten | housing below | B | 414621 | 20 |
| 38 | Gehäuse unten | housing below | A+C+D+E | 413266 | 20 |
| 42+44+45+1 | Set Rüttlerplatte (4x Druckfeder + 1x Rüttlerplatte + 4x Scheibe + 4x Schraube) | Set vibrator plate | B | 429816 | 16 |
| 47 | Faltenfilter FPPR 3600 | Folded filter FPPR 3600 | B | 413464 | Liste |
| 47 | Faltenfilter FP 3600 | Folded filter FP 3600 | A+C+D+E | 411729 | Liste |
| 48 | Kupplung | Coupling | A-E | 518350 | 3 |
| 50 | Set Verschluss 20/32l | Set locking device | A-E | 440774 | 9 |
| 51 | Set Rad 20/32l | Set wheel | A-E | 440798 | 16 |
| 52 | Set Lenkrolle 20/32l | Set castor | A-E | 440859 | 14 |
| 55 | Set Behälter 20l | Set container 20l | B+D+E | 440675 | 35 |
| 56 | Set Behälter 32l | Set container 32l | A+C | 440712 | 36 |

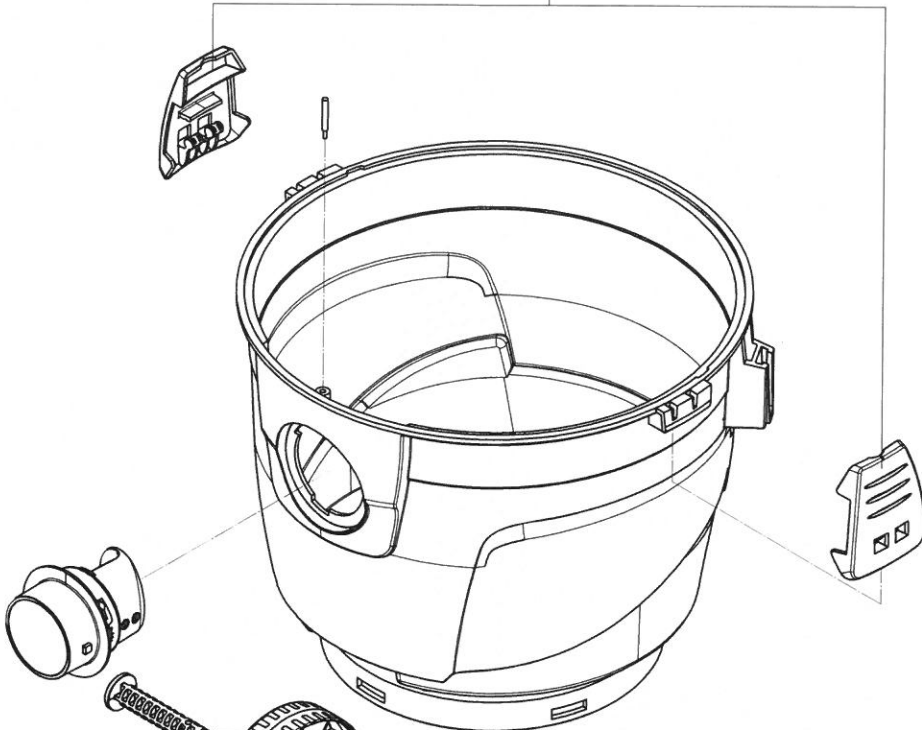
AS+ .. eSwift
Stand
Issue 04 - 15



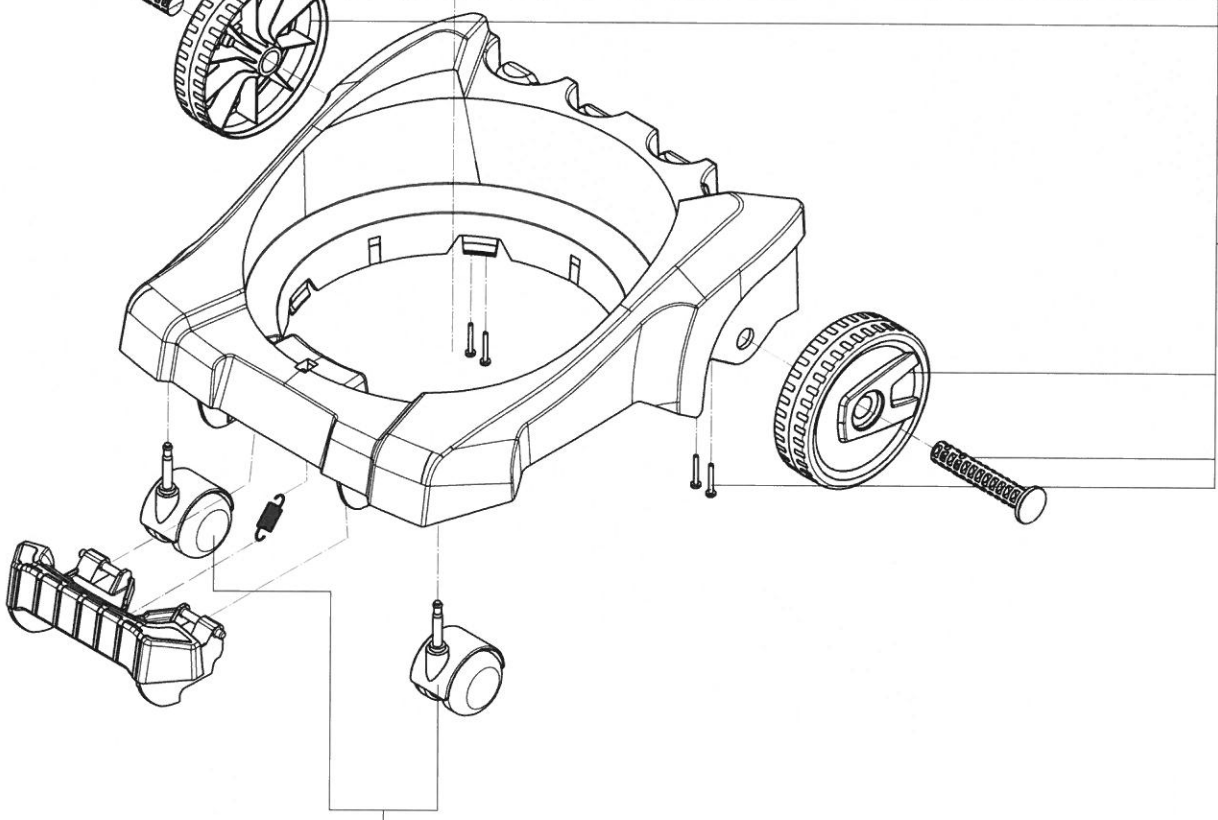
Änderungen vorbehalten
Modifications reserved
ELECTROSTAR GmbH
73262 Reichenbach/Fils

55 - 20L
56 - 32L

50



51



52