

L133/C143/C150

EN Use and Maintenance

CE

30 923
ed. 04-2017

IT**DATI IDENTIFICATIVI**

I dati identificativi e la marcatura "CE" della macchina sono posizionati sulla targhetta posta sul corpo macchina.

Si consiglia di trascrivere il modello della macchina e il relativo numero di matricola nella tabella riportata nella pagina seguente.

EN**IDENTIFICATION DATA**

The machine identification data and "CE" marking are located on the plate on the machine body.

It is advisable to note the machine model and serial number on the table on the next page.

FR**DONNÉES D'IDENTIFICATION**

Les données d'identification et le marquage « CE » de la machine se trouvent sur la plaque située sur le corps de la machine.

Nous vous conseillons de recopier le modèle de la machine et le numéro de matricule correspondant dans le tableau reporté sur la page suivante.

DE**KENNDATEN**

Die Maschinenkenndaten und die Aufprägung "CE" befinden sich auf dem Schild an der Maschine.

Wir empfehlen, das Maschinenmodell und die dazugehörige Matrikelnummer in die Tabelle auf der nachfolgenden Seite einzutragen.

ES**DATOS DE IDENTIFICACIÓN**

Los datos de identificación y la marca "CE" de la máquina están grabados en la placa colocada sobre la estructura de la máquina.

Se recomienda transcribir el modelo y el número de matrícula de la máquina en la tabla descrita en la siguiente página.

PT**DADOS IDENTIFICATIVOS**

Os dados identificativos e a marcação "CE" da máquina estão na placa colocada no corpo da máquina.

Aconselha-se transcrever o modelo da máquina e o relativo número de série na tabela referida na página seguinte.

NL**IDENTIFICATIEGEGEVENS**

De identificatiegegevens en de "CE"-markering van de machine bevinden zich op het plaatje dat op de machine is aangebracht.

We raden u aan het model en het serienummer van de machine in de tabel op de volgende pagina te vermelden.

NO

IDENTIFIKASJONSDATA

Identifikasjonsdataene og maskinens CE-merking er å finne på merkeplaten som er plassert på selve maskinen.

Vi anbefaler at du skriver ned maskinmodellen og tilhørende matrikelnummer i tabellen på neste side.

DK

TEKNISKE DATA

Maskinens identifikasjonsdata og EF-mærket er indeholdt på mærkepladen, som sidder på maskinkroppen.

Maskinens identifikasjonsdata og EF-mærket er indeholdt på mærkepladen, som sidder på maskinkroppen.

SV

IDENTIFIERINGSDATA

Maskinens identifieringsdata och CE-märkning anges på märkskylten som finns på maskinen. Vi rekommenderar att ni kopierar maskinmodellen och tillhörande serienummer i tabellen på följande sida.

PL

DANE IDENTYFIKACYJNE

Dane identyfikacyjne i oznakowanie "CE" urządzenia umieszczone są na tabliczce znamionowej znajdującej się na korpusie urządzenia.

Zaleca się wpisać model i numer seryjny urządzenia do tabeli znajdującej się na kolejnej stronie.

CS

IDENTIFIKAČNÍ ÚDAJE

Identifikační údaje a označení stroje „CE“ jsou uvedeny na štítku umístěném na tělesu stroje. Doporučujeme, abyste model stroje a jeho příslušné výrobní číslo přepsali do tabulky uvedené na následující straně.

SK

IDENTIFIKAČNÉ ÚDAJE

Identifikačné údaje a označenie stroje „CE“ sú uvedené na štítku umiestnenom na telese stroja.

Odporúčame, aby ste model stroja a jeho príslušné výrobné číslo prepísali do tabuľky uvedenej na nasledujúcej strane.

TR

TANIMLAYICI BİLGİLER

Makinenin tanımlayıcı bilgileri ve "CE" işareti makine gövdesine yerleştirilmiş olan plakada belirtilmiştir.

Bir sonraki sayfada bulunan tabloya makine modeli ve ilgili seri numarasını yazmanızı tavsiye ederiz.

HU**AZONOSÍTÓ ADATOK**

Az azonosító adatok és a gépen található "CE" jelzés a gép testére erősített címkén található.

Ajánlatos a gép modellszámát és a következő oldalon levő táblázatban feltüntetett törzskönyvi számot feljegyezni.

RO**DATE IDENTIFICATOARE**

Datele identificatoare și marcarea "CE" a mașinii se găsesc pe plăcița de identificare aflată pe corpul mașinii.

Se recomandă transcrierea modelului mașinii și numărul relativ matricolei în tabela redată în paginile următoare.

EL**ΤΕΧΝΙΚΑ ΣΤΟΙΧΕΙΑ**

Τα τεχνικά στοιχεία και η σήμανση συμμόρφωσης "CE" της μηχανής βρίσκονται στην πινακίδα επάνω στο σώμα της μηχανής.

Συνιστάται η αντιγραφή του μοντέλου του μηχανήματος καθώς και του σχετικού σειριακού αριθμού στον πίνακα που βρίσκεται στην επόμενη σελίδα.

RU**ИДЕНТИФИКАЦИОННЫЕ ДАННЫЕ**

Идентификационные данные машины и маркировка «CE» находятся на табличке, установленной на корпусе машины.

Рекомендуется переписать модель машины и соответствующий паспортный номер в таблицу, приведенную на следующей странице.

HR**IDENTIFIKACIJSKI PODACI**

Identifikacijski podaci stroja i oznaka „CE“ su navedeni na pločici koja se nalazi na tijelu uređaja.

Preporučamo da prepisete model stroja i njegov serijski broj u tablicu koja se nalazi na sljedećoj stranici.

SR**IDENTIFIKACIONI PODACI**

Identifikacioni podaci i oznaka "CE" mašine se postavljene na tabli a ista se nalazi na telu mašine.

Savetujemo Vam da napišete model mašine i serijski broj u tabelu koja se nalazi na sledećoj stranici.

BG**ИДЕНТИФИКАЦИОННИ ДАННИ**

Идентификационните данни и маркирането "CE" на машината се намират върху идентификационната табела, разположена върху тялото на машината.

Препоръчително е за се впише модела на машината и серийният номер в таблицата на следващата страница.

ET

IDENTIFITSEERIMISANDMED

Identifitseerimisandmed ja "CE" märgistus masin on asetatud plaat asub juhtpaneeli all.
On soovitatav, et kopeerida mudeli masin, ja seerianumber tabelis järgmisel leheküljel.

FI

DATA TUNNISTAMINEN

Tunnistetiedot ja merkki "CE" koneen on sijoitettu levyn alla ohjauspaneelissa.
On suositeltavaa kopioida mallin konetta, ja sarjanumero taulukossa seuraavalla sivulla.

LV

IDENTIFIKĀCIJAS DATI

Identifikācijas dati un "CE" marķējums no mašīnas novieto uz šķīvja atrodas zem vadības paneļa.
Tas ir ieteicams, lai kopētu modeli mašīnas un tā sērijas numurs tabulā nākamajā lappusē.

LT

IDENTIFIKACINIAI DUOMENYS

Identifikaciniai duomenys ir "CE" ženklavimo mašina dedami pagal valdymo skydelyje esantį ant lėkštės.
Rekomenduojama nukopijuoti mašinos modelį ir jo serijos numeris kitame puslapyje pateiktoje lentelėje.

SL

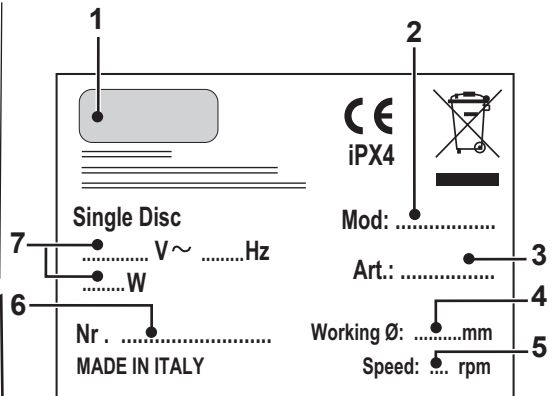
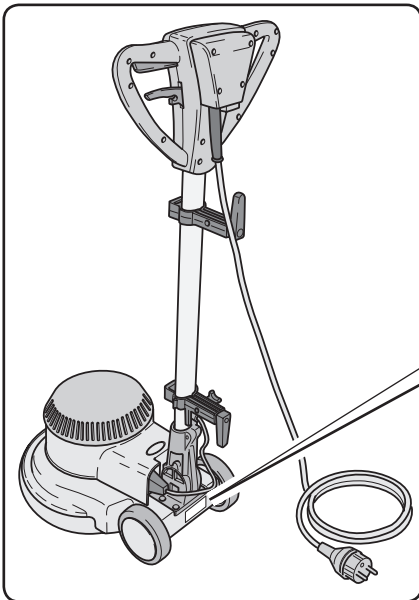
IDENTIFIKACIJSKI PODATKI

Identifikacijski podatki in označevanje "CE" od stroja so nameščene na ploščici v nadzorni plošči.
Priporočljivo je, da kopirate model stroja in serijska številka v tabeli na naslednji strani.

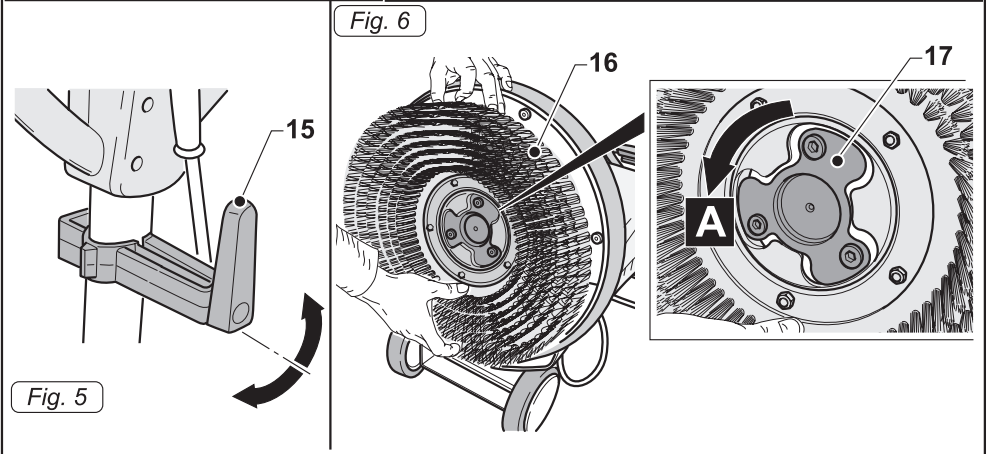
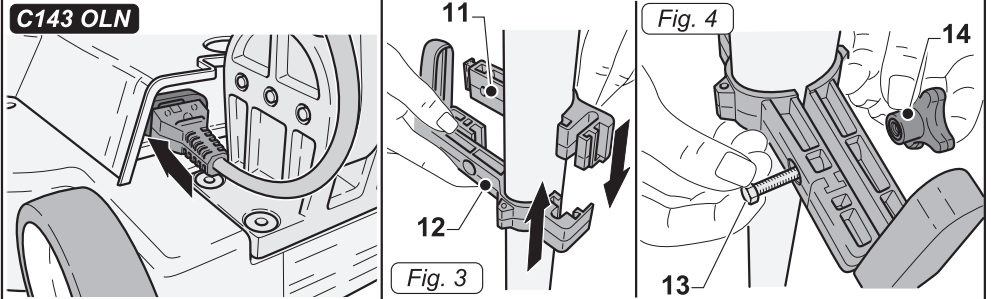
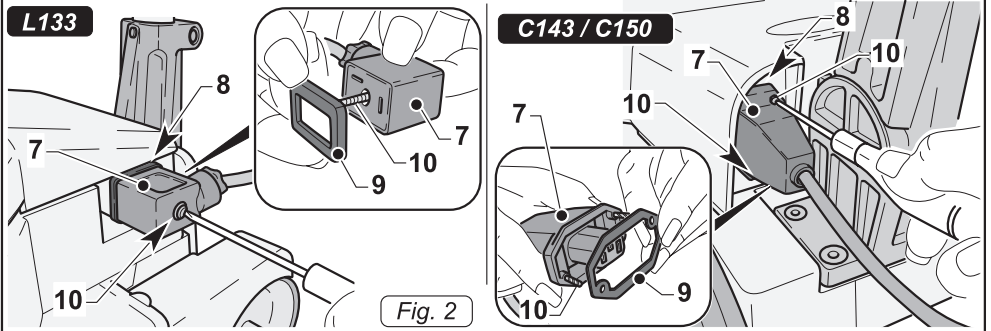
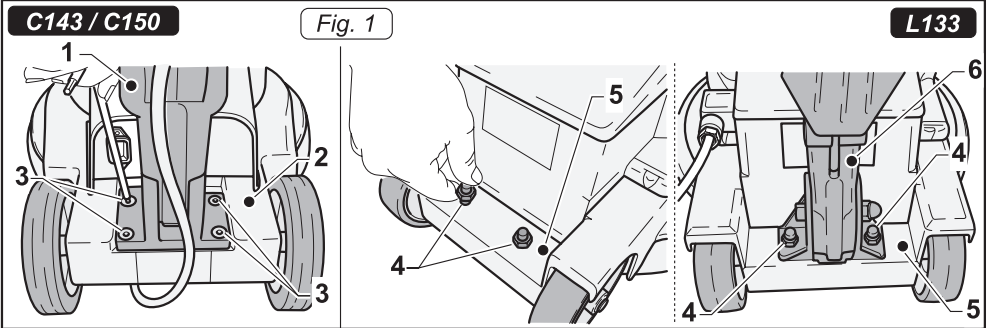
AR

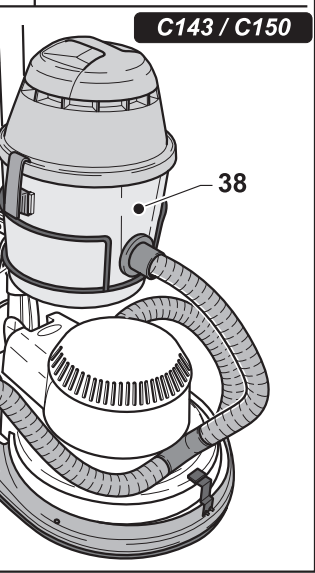
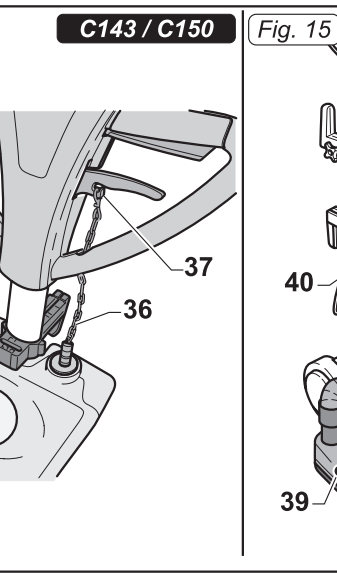
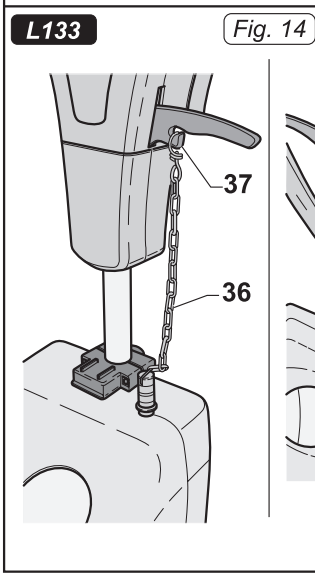
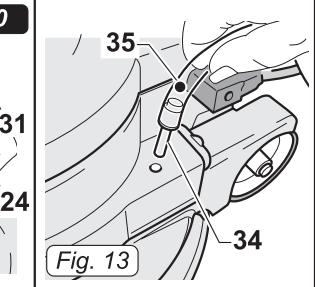
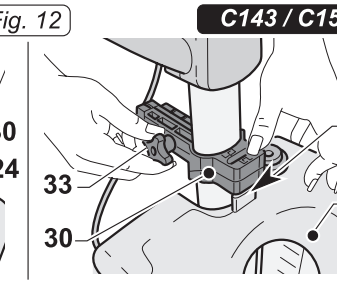
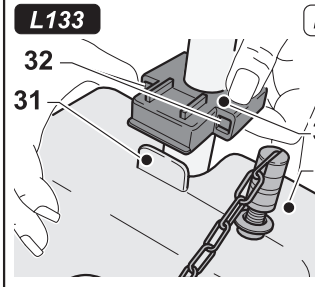
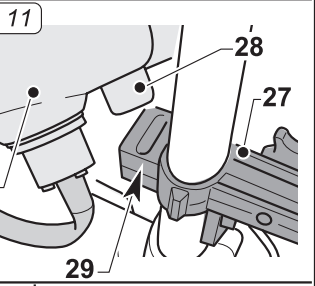
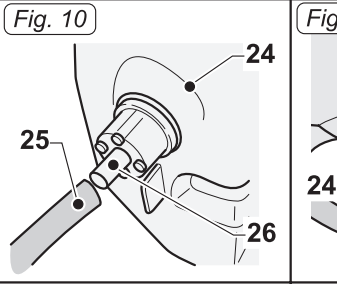
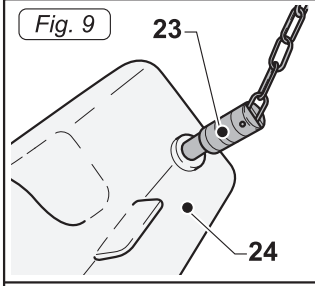
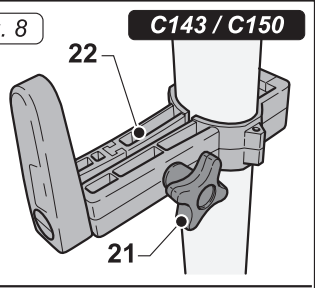
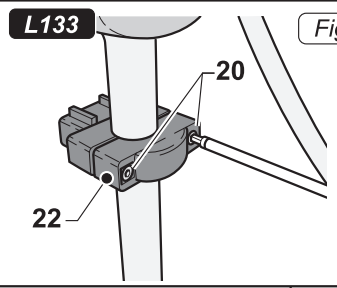
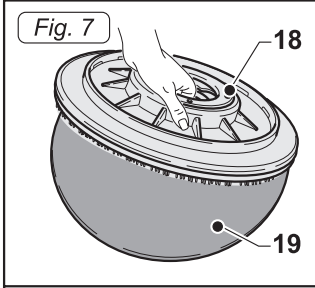
معلومات التعريف

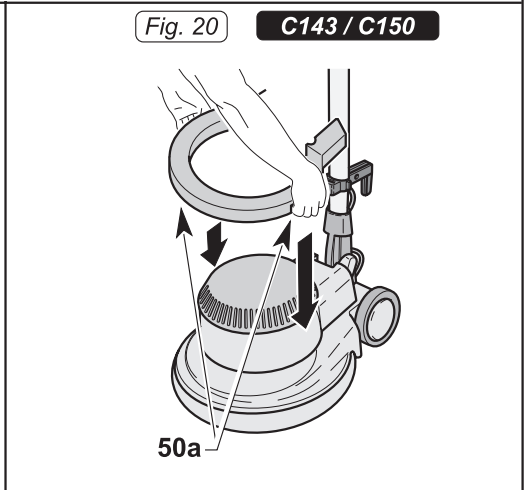
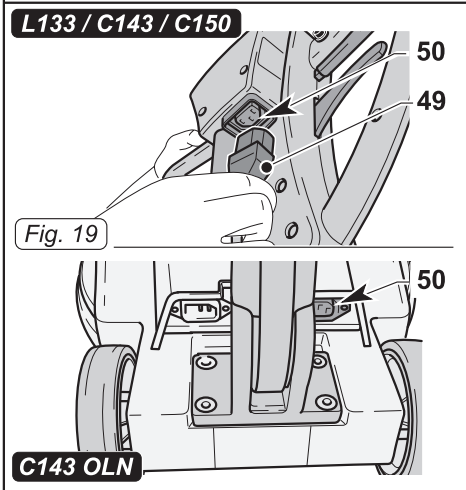
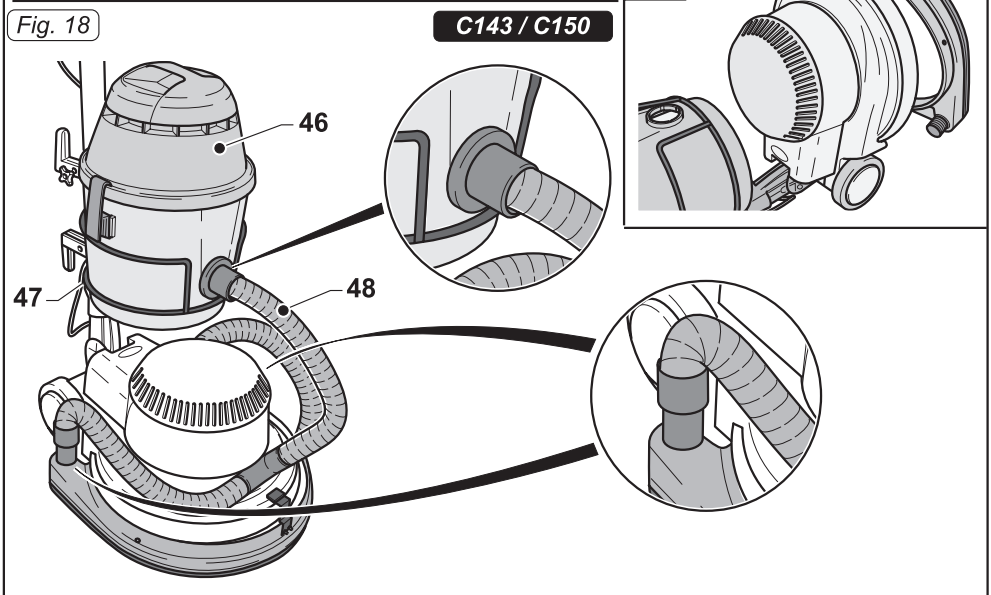
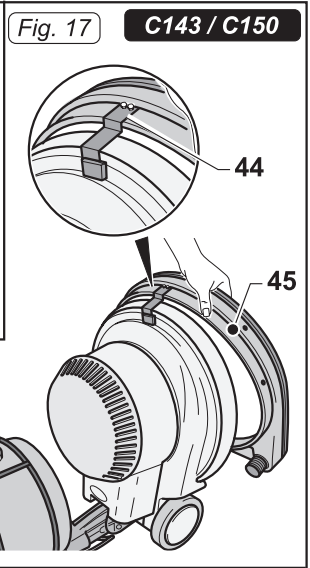
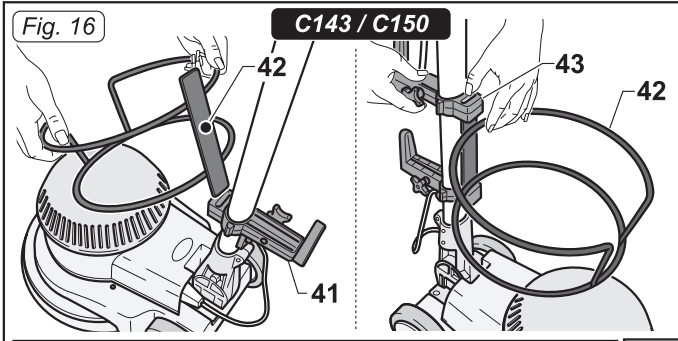
إن معلومات التعريف وعلامة "سي إي" للألة موجودة في لوحة التعريف على هيكل الألة.
ينصح كتابة موديل الألة والرقم المتسلسل في الجدول المذكور في الصفحات الآتية.



1	2	3	4	5	6	7
IT	Produttore	Modello	Ø di lavoro	Velocità di rotazione	N° Matricola	Caratteristiche elettriche
EN	Manufacturer	Model	Working Ø	Rotation speed	Serial number	Electrical characteristics
FR	Producteur	Modèle	Ø de travail	Vitesse de rotation	N° de Matricule	Caractéristiques électriques
DE	Hersteller	Modell	Ø Arbeit	Drehgeschwindigkeit	Matrikel-Nr.	Elektrische Eigenschaften
ES	Fabricante	Modelo	Ø de trabajo	Velocidad de rotación	N° de Matricula	Características eléctricas
PT	Fabricante	Modelo	Ø de trabalho	Velocidade de rotação	N° de Série	Características eléctricas
NL	Producent	Model	Ø bewerking	Rotatiesnelheid	Serienummer	Elektrische eigenschappen
NO	Produsent	Modell	Driftdiameter	Roteringshastighet	Matrikelnummer	Elektriske egenskaper
DK	Fabrikant	Model	Arbejdsdiameter	Omdrejningshastighed	Matrikelnr.	EI-specifikationer
SV	Tillverkare	Modell	Arbetsdiameter	Rotationshastighet	Serienummer	Elektriska egenskaper
PL	Producent	Model	Ø pracy	Prędkość obrotów	Nr serijny	Charakterystyka elektryczna
CS	Výrobce	Model	Pracovní Ø	Rychlost rotace	Výrobní č.	Elektrické vlastnosti
SK	Výrobca	Model	Pracovný Ø	Rýchlosť rotácie	Výrobné č.	Elektrické vlastnosti
TR	Üretici	Model	Çalışma çapı	Seri No	Dönüş hızı	Elektriksel özellikler
HU	Gyártó	Modell	munka Ø	Forgási sebesség	Törzskönyvi szám	Elektromos sajátosságok
RO	Producător	Model	Ø disc de lucru	Viteză de rotație	N° Matricolă	Caracteristici electrice
EL	Κατασκευαστής	Μοντέλο	Διάμετρος εργασιών	Ταχύτητα περιστροφής	Σειράκος αριθμός	Ηλεκτρικά χαρακτηριστικά
RU	Изготовитель	Модель	Рабочий Ø	Скорость вращения	N° Паспорта	Электрические характеристики
HR	Proizvođač	Model	Ø rada	Brzina vrtnje	Serijski br.	Električne karakteristike
SR	Proizvođač	Model	Ø rada	Brzina rotacije	Serijski broj	Električne karakteristike
BG	Производител	Модел	Ø на работен диск	Скорост на въртене	Сериен номер	Електрически характеристики
ET	Tootja	Mudel	Ø töötamine	Pöörlemiskiirus	Seerialnumber	elektrilised omadused
FI	Tuottaja	Tyyppi	Ø työ	Pöörimisnopeus	Tuotenumero	Sähköiset ominaisuudet
LV	Ražotāja	Veida	Ø darba	Griešanās ātrums	Serijs numurs	Elektriskās raksturīgums
LT	Gaminotojas	Modelis	Ø darbo	Sukimosi greitis	Eilės numeris	Elektrinės charakteristikos
SL	Proizuttore	Vrsta	Ø o delo	Zaporedna številka	Serijska številka	Električne značilnosti
AR	الصانع	الموديل	قطر العمل	سرعة الدوران	الرقم المتسلسل	المواصفات الكهربائية







L133

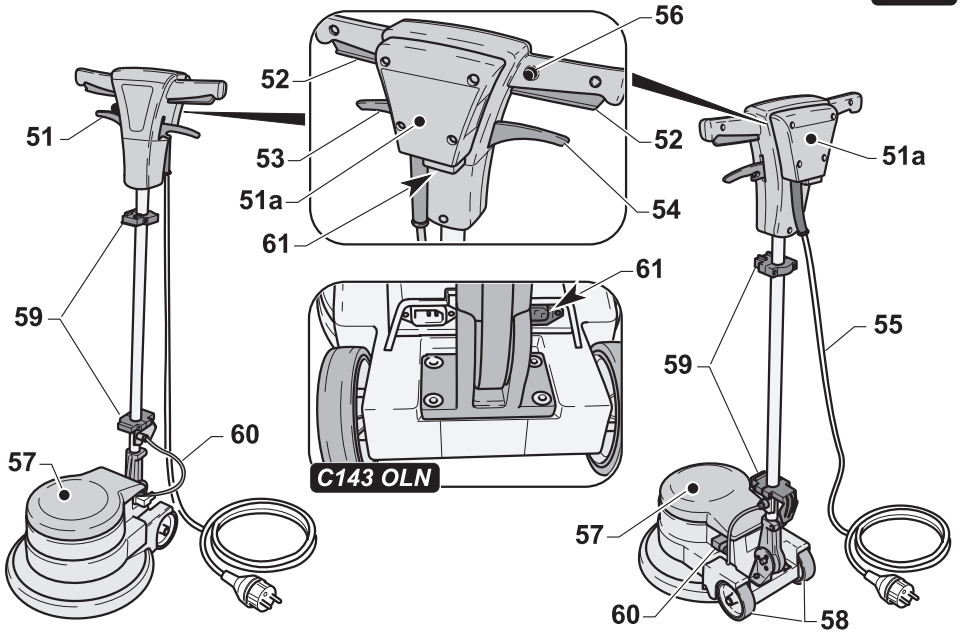
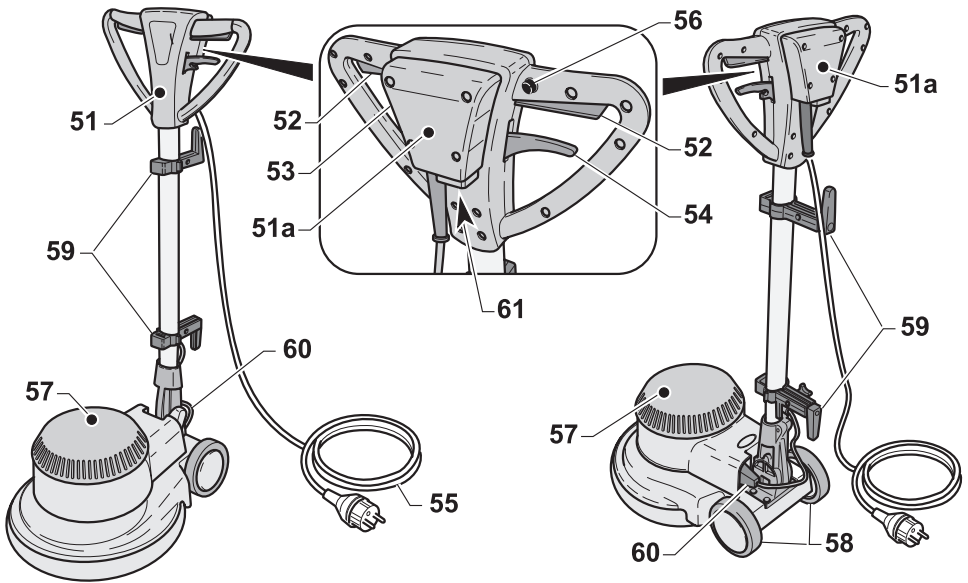
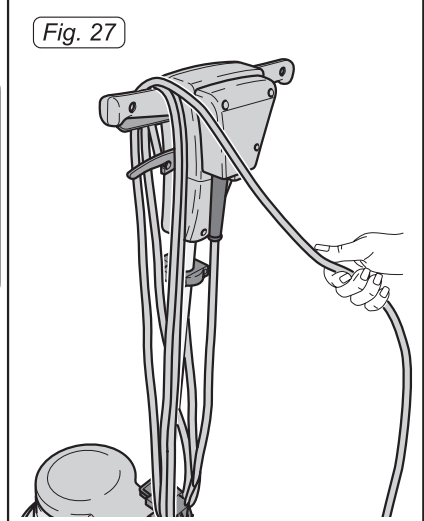
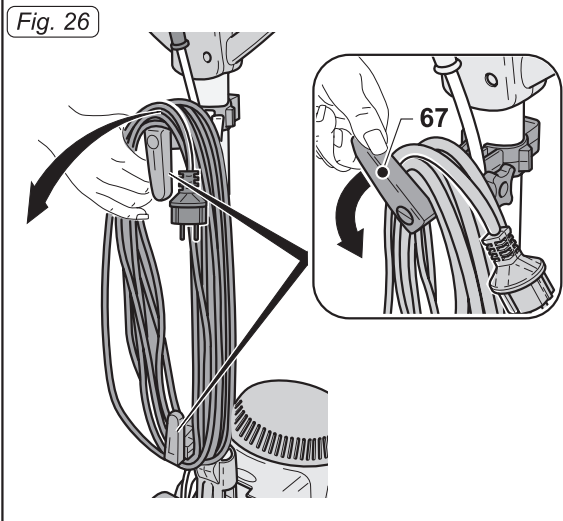
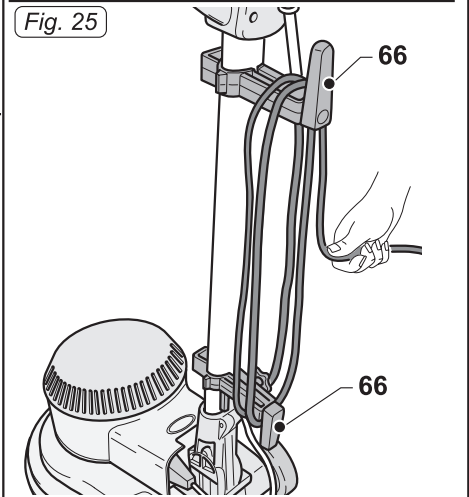
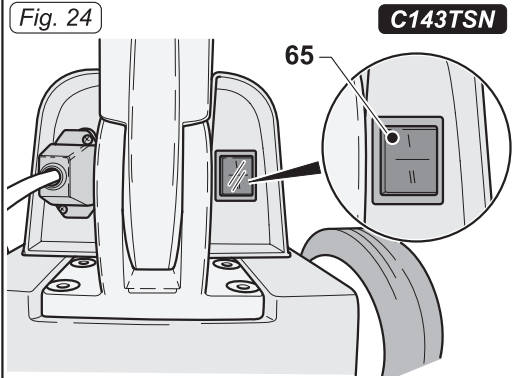
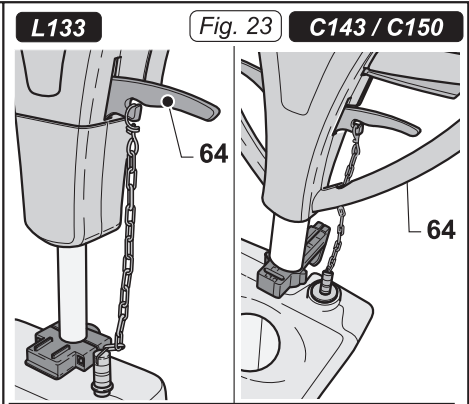
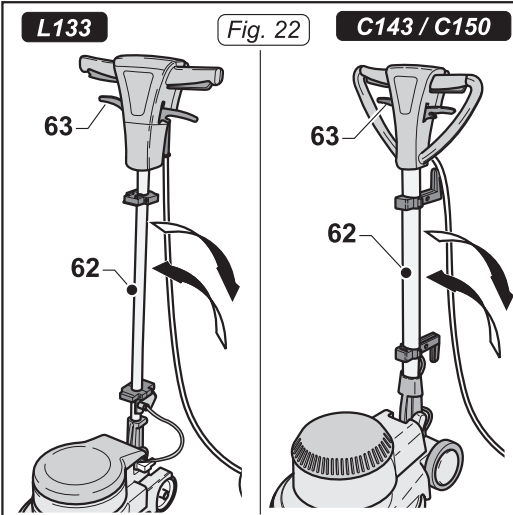


Fig. 21

C143 / C150





EN

English ENGLISH - 1
(Translation of original instructions)

*Dear Customer,
Thank you for choosing one of our cleaning products.*

The floor cleaner you have purchased has been designed to satisfy users in terms of ease of use and reliability.

We are aware that, in order to remain so over time, a good product requires continuous updates aimed at satisfying the expectations of those who use it daily. To this end, we hope that you will be not only a satisfied customer but also a partner who does not hesitate to let us know your views and ideas resulting from personal experience on a day-to-day basis.

Contents

1.1 - INTRODUCTION.....	EN-3
1.2 - INTENDED USE OF THE MACHINE	EN-3
1.3 - NON-INTENDED USE OF THE MACHINE	EN-3
2.1 - COMPONENT ASSEMBLY	EN-3
2.1.a - Positioning the handle.....	EN-3
2.1.b - Electrical machine handle/body connection.....	EN-3
2.1.c - Assembling the cable reel supports	EN-3
2.1.d - Assembling the brush	EN-4
2.1.e - Assembling the pad holder	EN-4
2.1.f - Assembling the tank (Optional).....	EN-4
2.1.g - Assembling the suction unit (Optional).....	EN-4
2.1.h - Assembling additional weight (Optional)	EN-5
2.1.i - Electrical connection	EN-5
3.1 - KNOWLEDGE OF THE MACHINE	EN-5
4.1 - ADJUSTING HANDLE TILT	EN-6
5.1 - GUIDE HANDLE.....	EN-6
6.1 - OPERATION	EN-6
6.1.a - Checks before use	EN-6
6.1.b - Starting the machine	EN-6
6.1.c - Using the machine	EN-7
6.1.d - Double speed (if present).....	EN-7
6.1.e - End of use and turning off	EN-7
6.1.f - Transport	EN-8
7.1 - MAINTENANCE AND CLEANING	EN-8
7.1.a - Cleaning the machine	EN-8
7.1.b - Emptying and cleaning the water tank (optional)	EN-8
7.1.c - Replacing the brush	EN-9
7.1.d - Replacing the pad holder	EN-9
TROUBLESHOOTING	EN-10

1.1 INTRODUCTION



DANGER:

Before using the appliance, read the accompanying “**SINGLE DISC SAFETY WARNINGS**” booklet carefully.

This manual forms an integral part of the machine itself. It must therefore be kept in a safe place where it is accessible to all users (operators and maintenance personnel) throughout the life of the machine until it is scrapped.

1.2 - INTENDED USE OF THE MACHINE

The machine has been designed and built: for cleaning floors and carpets, for polishing floors, for sanding floors (e.g. parquet and uneven surfaces).



DANGER:

Any other use releases the manufacturer from liability for harm to persons and/or property and invalidates any warranty condition.

1.3 - NON-INTENDED USE OF THE MACHINE



WARNING:

The machine is not intended for outdoor use.



DANGER:

- do not wash floors with water above 50 °C;
- do not use diesel/petrol or corrosive detergents to wash floors;
- do not wash and suck up corrosive, flammable or explosive liquids, even if diluted.

2.1 COMPONENT ASSEMBLY

2.1.a - Positioning the handle (Fig. 1)

For models with 4-screw handle fixing:

- Place the handle (1) on the base (2), aligning the four holes on the handle with the holes on the machine body.
- Tighten the screws (3) provided.

For models with 2-nut handle fixing:

- Unscrew the two nuts (4) from the machine body (5).
- Position the handle (6) by inserting the pins present on the machine body (5).
- Tighten the nuts (4).

2.1.b - Electrical machine handle/body connection (Fig. 2)

- Plug the handle into the machine body by putting the plug (7) into the machine socket (8);
For models equipped with a socket with gasket (9) put the gasket in place before connecting the plug and tighten the screws (10) supplied.

2.1.c - Assembling the cable reel supports (Figs. 3/5)

Some models are equipped with cable reel supports that must be assembled directly on the shaft of the handle:

- Fit the short coupling (11) into the long coupling (12) (Fig. 3).
- Tighten the screw (13) to the knob (14), keeping the latter to the right (Fig. 4).
- The hook (15) of the support can be rotated depending on usage (Fig. 5).
- Place one support at the top of the handle and a second support at the bottom.

2.1.d - Assembling the brush (Fig. 6)

- Tilt the machine, pivoting, with the handle straight, with your feet on the wheels and place it on the handle.
- Place the brush (16) on the base of the machine, fitting the appropriate butterfly coupling (17).
- Make a half turn in the direction of the arrow (A) to fit in the brush (16).
- Put the machine back in position.
- When rotation starts, the brush will end fitting.

To disassemble the brush, tilt machine and turn the brush (16) in the opposite direction to that shown by the arrow (A).



WARNING:

Use only brushes supplied by the manufacturer for the specific machine model. Using other types of brushes can compromise the safety of the machine.

2.1.e - Assembling the pad holder (Figs. 6-7)

- Tilt the machine, pivoting, with the handle straight, with your feet on the wheels and place it on the handle.
- Place the pad holder (18) on the pad (19) being careful to centre it properly to avoid unbalancing the rotation.
- Place the pad holder (18) complete with pad, on the base of the machine, fitting the appropriate butterfly coupling, as described in the "Assembling the brush" paragraph.

To disassemble the pad holder, tilt the machine and turn it in the opposite direction to that shown by the arrow (A).



WARNING:

Use only pads supplied by the manufacturer for the specific machine model. Using other types of pads can compromise the safety of the machine.

2.1.f - Assembling the tank (optional) (Figs. 8/14)

- Loosen the two screws (20) or the knob (21) on the upper support (22) of the handle, depending on the machine model (Fig. 8).
- Make sure that the lower support (27) rests on the plate located on the handle rod (Fig. 11).
- Screw the chain (23) onto the top of the tank (24) (Fig. 9).
- Connect the tube (25) into the fitting (26) at the bottom of the tank (24) (Fig. 10).
- Place the tank (24) on the lower support (27), taking care to align the coupling tab (28) with its slot (29) (Fig. 11).
- Lower the upper coupling (30) and attach it to the coupling tab (31) on the top of the tank (24) (Fig. 12).
- Tighten the two screws (32) or the knob (33) on the upper support (30) of the handle, depending on the machine model (Fig. 12).
- Connect the tube (35) fitting (34) to the hole on the machine body (Fig. 13).
- Attach the chain (36) to the hook (37) on the handle (Fig. 14).



N.B.:

For some models, you must insert the chain (36) into the hole at the bottom of the handle before attaching it to the hook (37) (FIG. 14-B).

2.1.g - Assembling the suction unit (optional) (Figs. 15/19)

The suction unit consists of the vacuum cleaner (38), the suction ring (39) with tube bundle assembled and the vacuum cleaner support drum (40) (Fig. 15).

- Make sure that the lower support (41) rests on the plate located on the handle rod (Fig. 16).
- Loosen the two screws and the knob on the upper support of the handle, depending on the machine model.

- Place the drum (42) in its slot on the support (41).
- Lower the upper support (43) to fit the drum (42), then tighten the two screws or the knob of the upper support to lock everything.
- Tilt the machine and place on onto the grip.
- Rest the suction ring (45) support plate (44) on the machine body (Fig. 17) then put the machine back in the working position.
- Insert the vacuum cleaner (46) in the drum (47) (Fig. 18).
- Connect the tube bundle (48) to the vacuum cleaner (46) using a bayonet coupling.

Connect the plug (49) to the auxiliary socket (50) positioned on the handle or in the machine unit, depending on the model (Fig. 19).

2.1.h - Assembling additional weight (optional) (Fig. 20)

If the surface to be cleaned is very dirty, an additional weight can be assembled on the machine to enable greater contact pressure of the brush, or the pad holder, on the floor.



N.B.:

Due of the increased contact pressure, wear to the brush or pad also increases.



WARNING:

The additional weight is provided with special recesses (50a) for lifting.

- Lift the additional weight using the special recesses (50a).
- Place the weight on the appliance.

2.1.i - Electrical connection

- Connect the machine power cable to a mains socket with characteristics corresponding to those shown on the machine's technical data plate.



WARNING:

- **Make sure the mains electrical system has a circuit breaker and is earthed.**
- **Unwind the power cable completely before operating the appliance.**
- **Use an extension cord only if in perfect condition and make sure the cross section is appropriate for the power of the appliance.**
- **Never allow the power cable to slide over sharp edges and do not crush it.**
- **The socket should be easily accessible.**
- **Make sure the power cable is not damaged.**

3.1 KNOWLEDGE OF THE MACHINE (Fig. 21)

- 51) Guide handle
- 51a) Electric control box
- 52) Brush rotation start levers (on-off)
- 53) Water supply adjustment lever
- 54) Handle tilt lever
- 55) Power cable
- 56) Brush rotation lever release button
- 57) Machine body
- 58) Wheels
- 59) Supports
- 60) Electrical connection
- 61) Auxiliary socket (if any)

4.1 ADJUSTING HANDLE TILT (Fig. 22)



WARNING:

The handle position must be adjusted while the appliance is at a standstill.

- By pulling the lever (63), it is possible to vary the position of the handle (62). When the lever is released, the handle is positioned and locked in the closest fixed position.



N.B.:

*The correct position of the handle (62) during machine operation is at hip height.
Never start the machine without having tilted the handle correctly.*

5.1 GUIDE HANDLE (Figs. 21 and 23)

1) Brush rotation lever release button (56) (Fig. 21)

Press the button (56) to release the brush rotation start levers (52).

2) Brush rotation start levers (52) (Fig. 21)

Pulling the brush rotation levers (52) enables brush rotation.

When the levers (52) are released, brush rotation stops and the machine comes to a halt automatically.

The levers (52) should be kept pulled to achieve continuous machine operation.

3) Water supply adjustment lever (53) (in the presence of an optional tank) (Fig. 23)

Pulling the lever (64) activates the water supply for washing the floor.

When the lever is released (64) the water supply is interrupted.

6.1 OPERATION

6.1.a - Checks before use (Fig. 18)

- If the suction unit (optional) is assembled, check that the suction tubes (48) are properly connected to the base of the machine and the aspirator.
- Check that the fittings on the base of the machine are not blocked.
- If the tank (optional) is assembled, check that it contains enough washing liquid for the working phase and that the tubes are properly connected.
- Check the condition of the brush or pad. If worn, replace them.
- Check that the appliance, particularly the mains cable, is not damaged in any way that might compromise correct machine operation or operator safety.

6.1.b - Starting the machine (Fig. 21)



WARNING:

Some machine models have two speed settings.

In this case, select the desired speed before turning on the machine.



DANGER:

Ensure your hands are dry before using the appliance.

- Pull up the lever (54) and lower the handle until it reaches the height of the hips (maximum balance position).
- Press the button (56) to release the brush rotation start levers (52).
- Pulling the levers (52) starts the machine.
- When both levers (52) are released, the machine stops.



WARNING:

Never wrap the power cable around the neck or body of the machine.

6.1.c - Using the machine (Figs. 21 and 23)

- After starting the machine, begin cleaning by keeping the levers (52) pressed, thus keeping the machine running and brush rotation active.
- The machine must be used creating small arches with the operator in the middle.
- The traverse, which is the natural drift of the machine, is obtained by pressing or lifting the machine grip.
Pulling or lifting the grip slightly makes the machine move to the right.
Pressing or gently lowering the grip makes the machine move to the left.
Slightly twisting the right-hand side of the grip makes the machine move forward.
Slightly twisting the left-hand side of the grip makes the machine move backward.

N.B.:

Move the grip gently in order to achieve manageable machine movements.

- To keep the machine running at a certain point, simply hold the grip in the starting position.

N.B.:

Using the machine in a fixed position while the brushes are rotating for a prolonged time can cause damage to the floor.

- For machines equipped with an optional tank, adjust the water supply using the lever (64).

N.B.:

When the levers (52) are released, brush rotation stops and the machine is turned off.

6.1.d - Double speed (if present) (Fig. 24)

- For some models, it is possible to select the brush or pad holder rotation speed:
 - Standard speed
 - Double speed

N.B.:

Select the desired speed before starting the machine.



WARNING:

Before using the double speed, make sure that the brush or pad used is capable of a rotation speed equal to 308 rpm.

- To select the desired speed, press the speed selector (65) on the back of the machine body.
- Using the machine with double speed selected is identical to using the machine at a low speed.

It is though, necessary to pay more attention to the driving movements which must be even more gentle due to the higher speed of the machine.

6.1.e - End of use and turning off (Fig. 21 and 25/27)

- At the end of the cleaning, before turning off the machine, shut off the water supply.
- Release the levers (52) to stop brush rotation and turn off the machine (Fig. 20).
- Put the handle in an upright position.
- Remove the tank (optional) and empty any solution out of it.
- Remove the brush or pad holder after use.



WARNING:

Do not leave the machine at a standstill while the brush or pad holder are assembled to prevent them from being damaged.

- If the pad is dirty, wash it at a maximum temperature of 60 °.
- If the brush is dirty, wash it under running water.
- Unplug the power cable from the socket and wrap it around the cable reel supports.

For machines equipped with moveable hooks:

- Roll up the cable on the supports (66) (Fig. 25).
- To remove the cable from the supports, turn the hooks (67) inward and remove the cable without necessarily unwinding it (Fig. 26).

For machines not equipped with moveable hooks:

- Place the fixed support at the bottom of the handle rod and wrap the cable, passing it between the support and the guide handle (Fig. 27).

6.1.f - Transport

Making sure that the mains plug is disconnected and the handle is in an upright position, lift the machine body by turning the handle downwards.

The machine can then be transported on the wheels.

7.1 MAINTENANCE AND CLEANING



WARNING:

For information and warnings relating to maintenance or cleaning, follow what is described in the “Safety warnings for single disc” manual, accompanying this document.

OPERATIONS TO BE CARRIED OUT EVERY DAY

7.1.a - Cleaning the machine

Clean the machine with a damp cloth and then wipe it with a clean, dry cloth to prevent the formation of scale due to the effect of chemicals.



WARNING:

Do not use solvents, acids or corrosive substances for cleaning the machine.

7.1.b - Emptying and cleaning the water tank (optional)



WARNING:

Once you have finished washing, you must drain and clean the water tank to prevent deposits or scale.

To empty the water tank, release it from its supports.



WARNING:

Store the appliance in a dry, sheltered place.

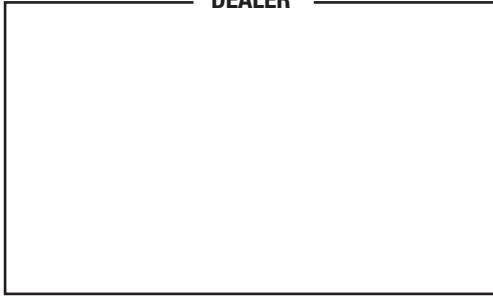
TROUBLESHOOTING

PROBLEM	CAUSE	SOLUTION
Although the lever release button and brush rotation levers are pressed at the same time, the machine does not start.	The appliance is unplugged.	Plug the appliance in.
The brush and/or pad holder do not rotate.	The brush/pad holder rotation lever is not pressed.	Press the lever.
	Presence of foreign bodies.	Remove any foreign bodies stuck in the appliance.
No water is released	The tank is empty.	Fill the tank.
	Water supply lever not pressed.	Press the lever.
Insufficient floor cleaning.	Unsuitable brushes or detergent.	Use brushes or detergents that are suitable for the type of floor or dirt to be cleaned.
	Insufficient detergent solution.	Fill the tank (optional) with detergent solution.
	Worn brush.	Replace the brush.
Insufficient floor polishing/sanding.	Pad worn.	Replace the pad.
The machine operates erratically or vibrates heavily.	Check that the brush or pad holder are assembled correctly.	Replace the brush or pad holder correctly.
	Check that the pad is perfectly centred in the pad holder.	Replace the pad, centring it correctly in the pad holder.
	The brush or pad holder are not suitable for the floor.	Use a brush or pad holder that is suitable for the type of surface and/or processing to be performed.



Professional Cleaning Machines Since 1968

DEALER



Cod. 30-923 - 1^ ed. - 04/2017

Ghibli & Wirbel S.p.A.

Via Circonvallazione, 5 - 27028 Dorno PV - Italia
P. +39 0382 848811 - F. +39 0382 84668 - M. info@ghibliwirbel.com

www.ghibliwirbel.com

100% MADE IN ITALY

MEMBER OF RIELLO INDUSTRIES

