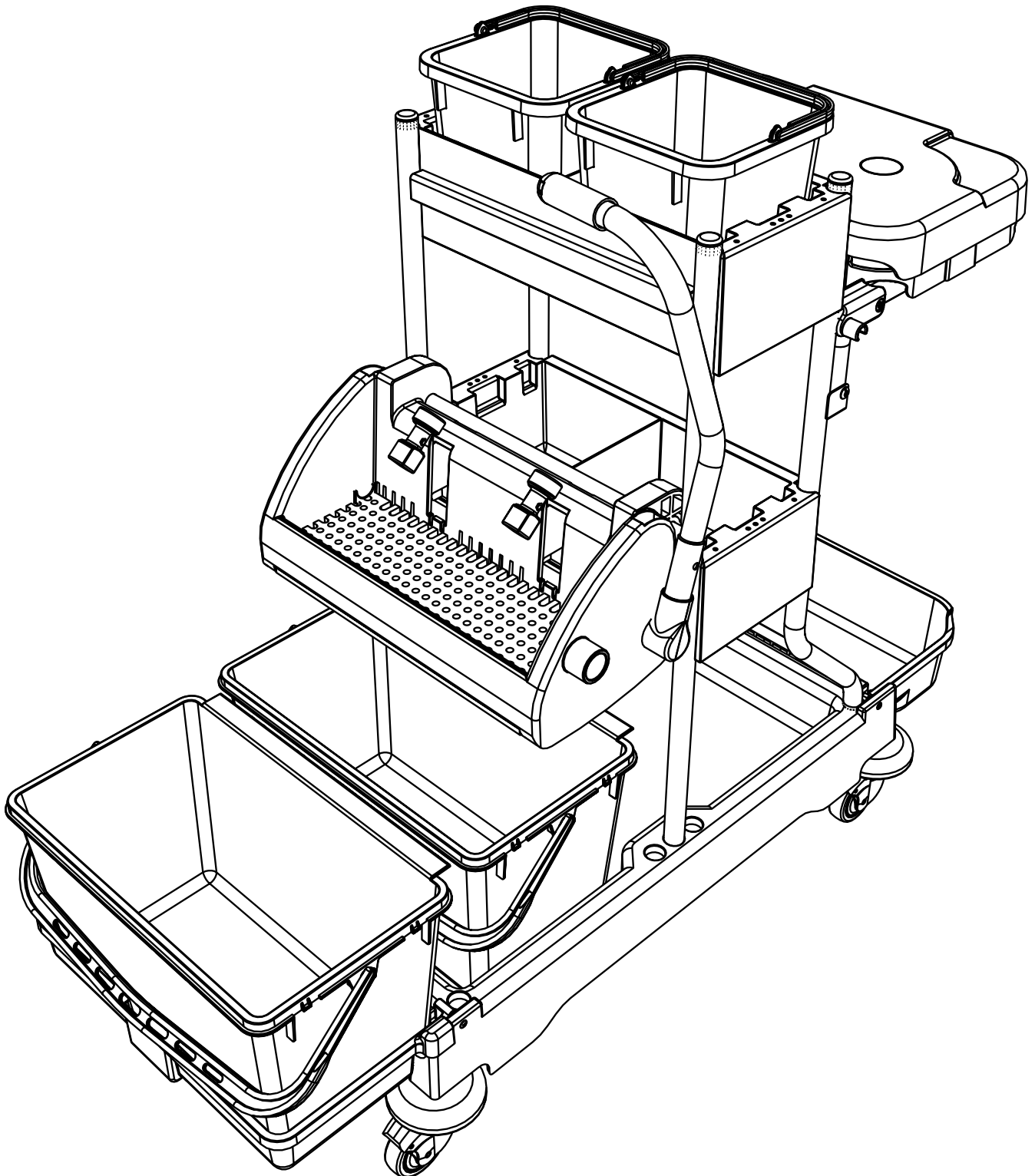
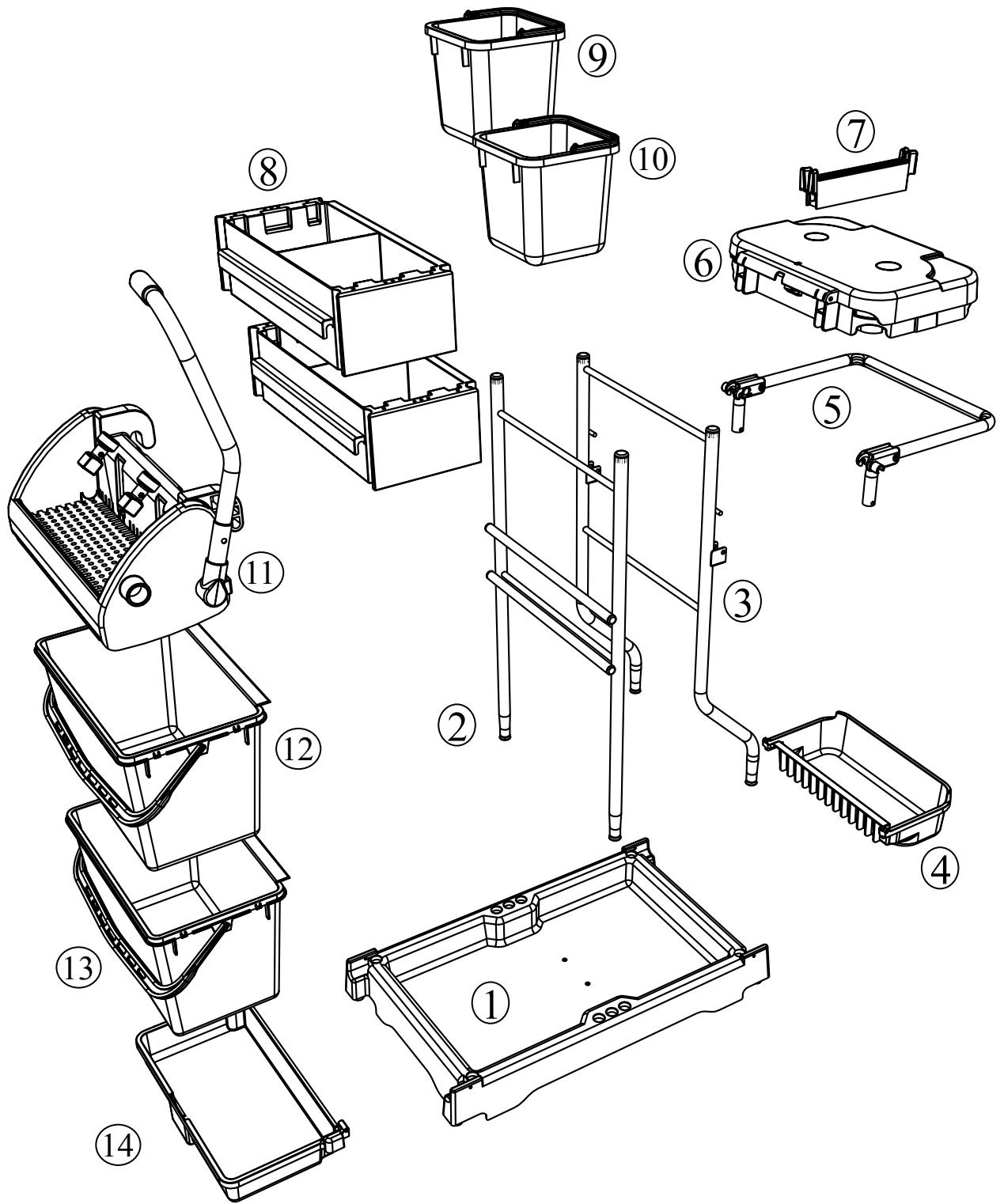


Numatic

SCG1415

C/W SBA3G





⚡

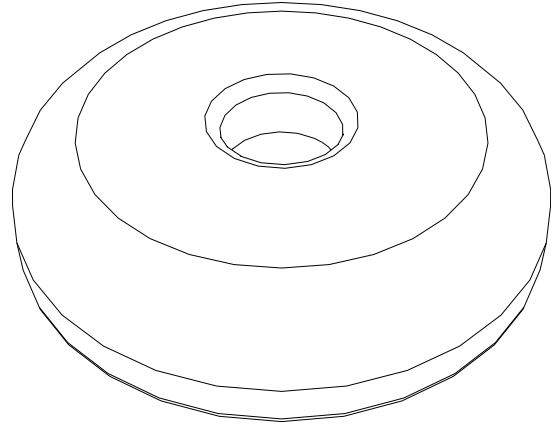
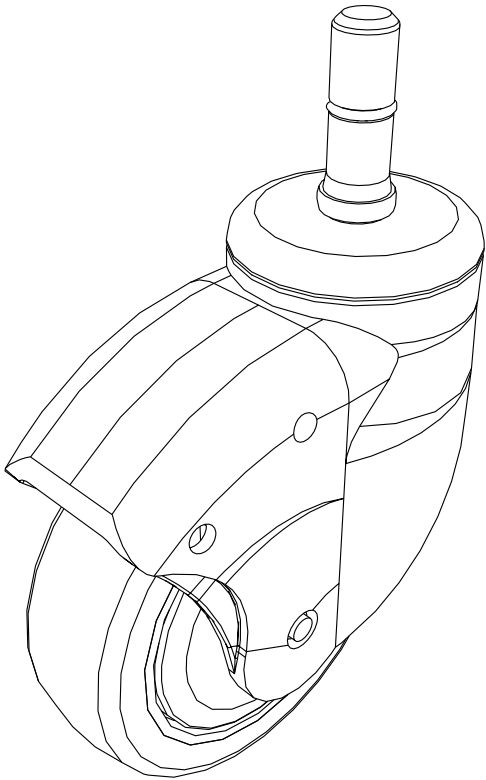
0.50HR

The block contains icons for a lightbulb, two screwdrivers (one with a flat head and one with a Phillips head), a clock face, and a silhouette of a person.

ITEM	PART	DESCRIPTION	QTY
1	328154	BASE	1
2	338601	FRONT UPRIGHT FRAME	1
3	339451	REAR UPRIGHT FRAME	1
4	905189	BAG SUPPORT TRAY	1
5	902068	LID SUPPORT FRAME ASSEMBLY	1
6	339649	LIDSET	1
7	223618	BAG FRAME INSERT MOULDING	1
8	904717	CLIP ON HALF TRAY	2
9	905233	6LTR BUCKET RED HANDLE	1
10	905234	6LTR BUCKET BLUE HANDLE	1
11	905678	FLATPRESS	1
12	905241	22 LTR BUCKET RED HANDLE	1
13	905242	22 LTR BUCKET BLUE HANDLE	1
14	903472	EXTENSION TRAY	1
—	629444	70LTR REPLACEMENT WASTE SACKS	1
—	629445	120LTR REPLACEMENT WASTE SACKS	1

204109

227479



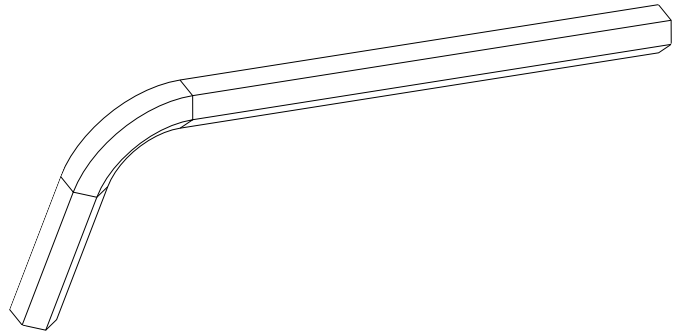
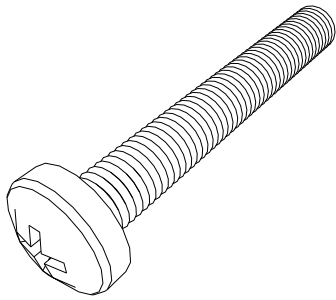
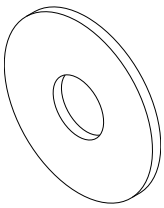
x 4

x 4

221154
M8

220033
M5 X 35

219554



x 4

x 2

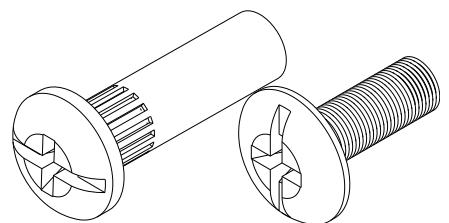
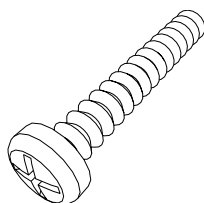
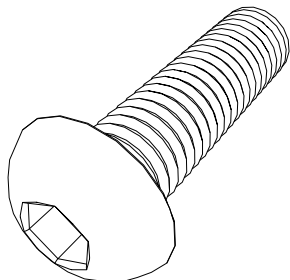
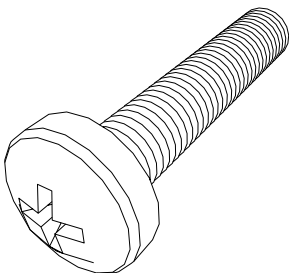
x 1

219057
M5 X 25

219555
M8

219602
NO6 X 1INCH

219802
M6

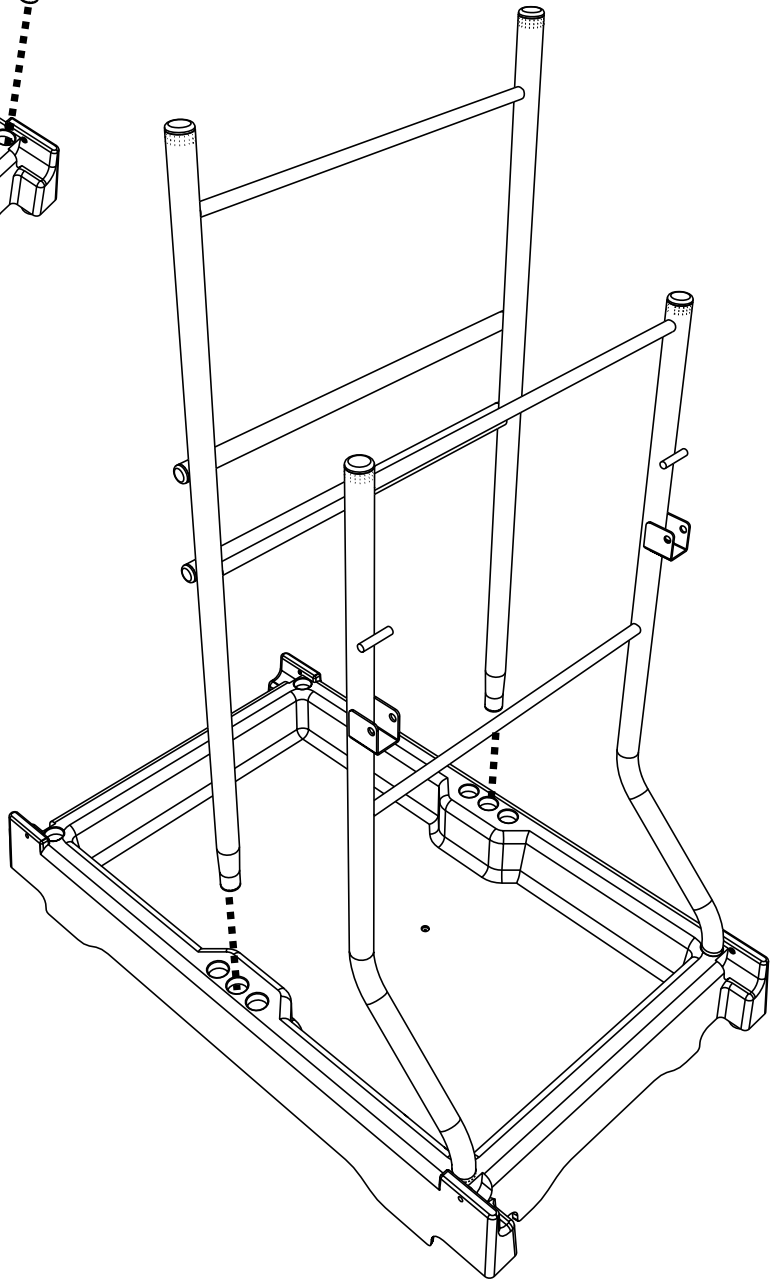
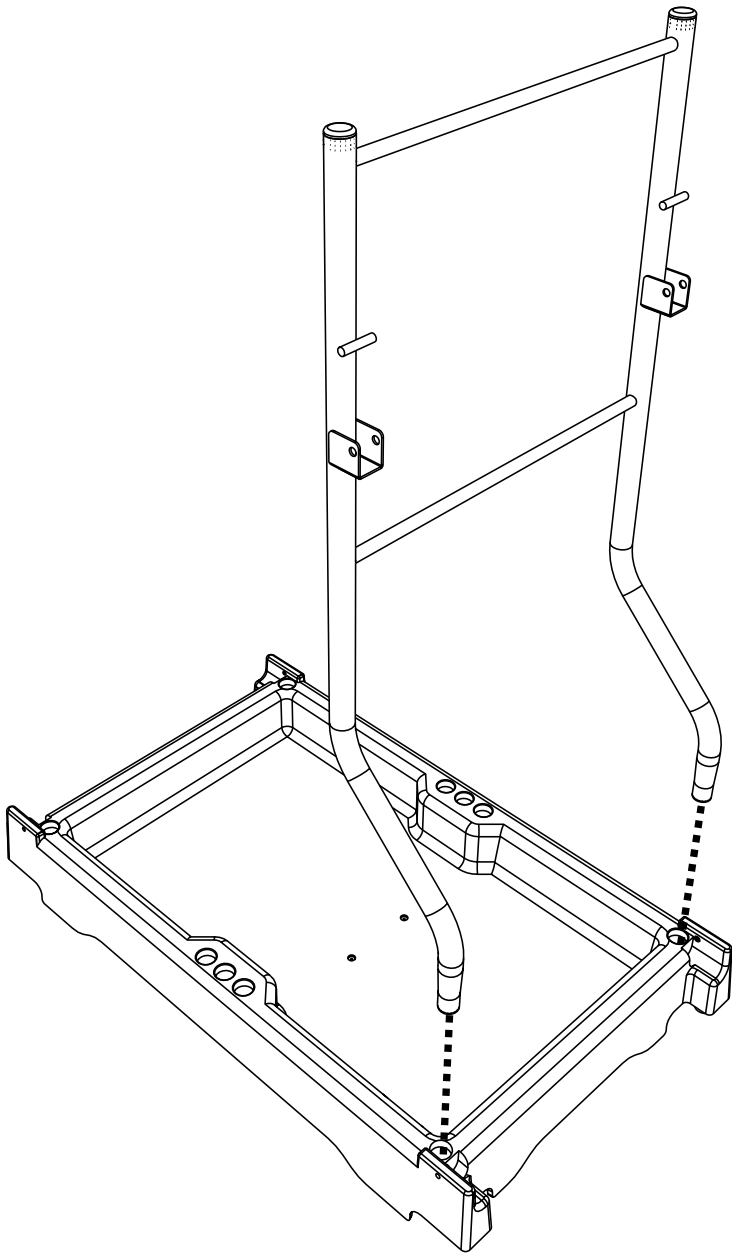


x 2

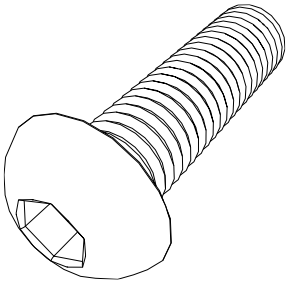
x 4

x 2

x 2

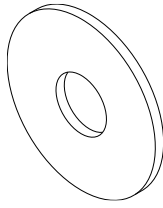


219555
M8



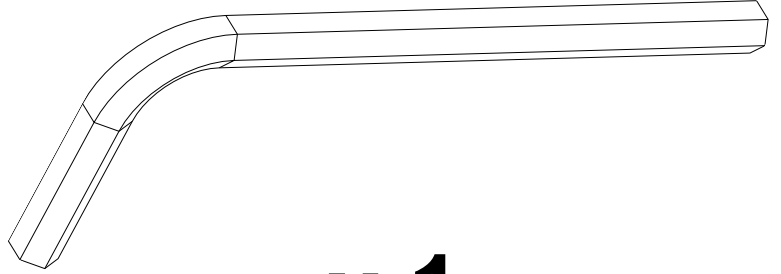
x 2

221154
M8

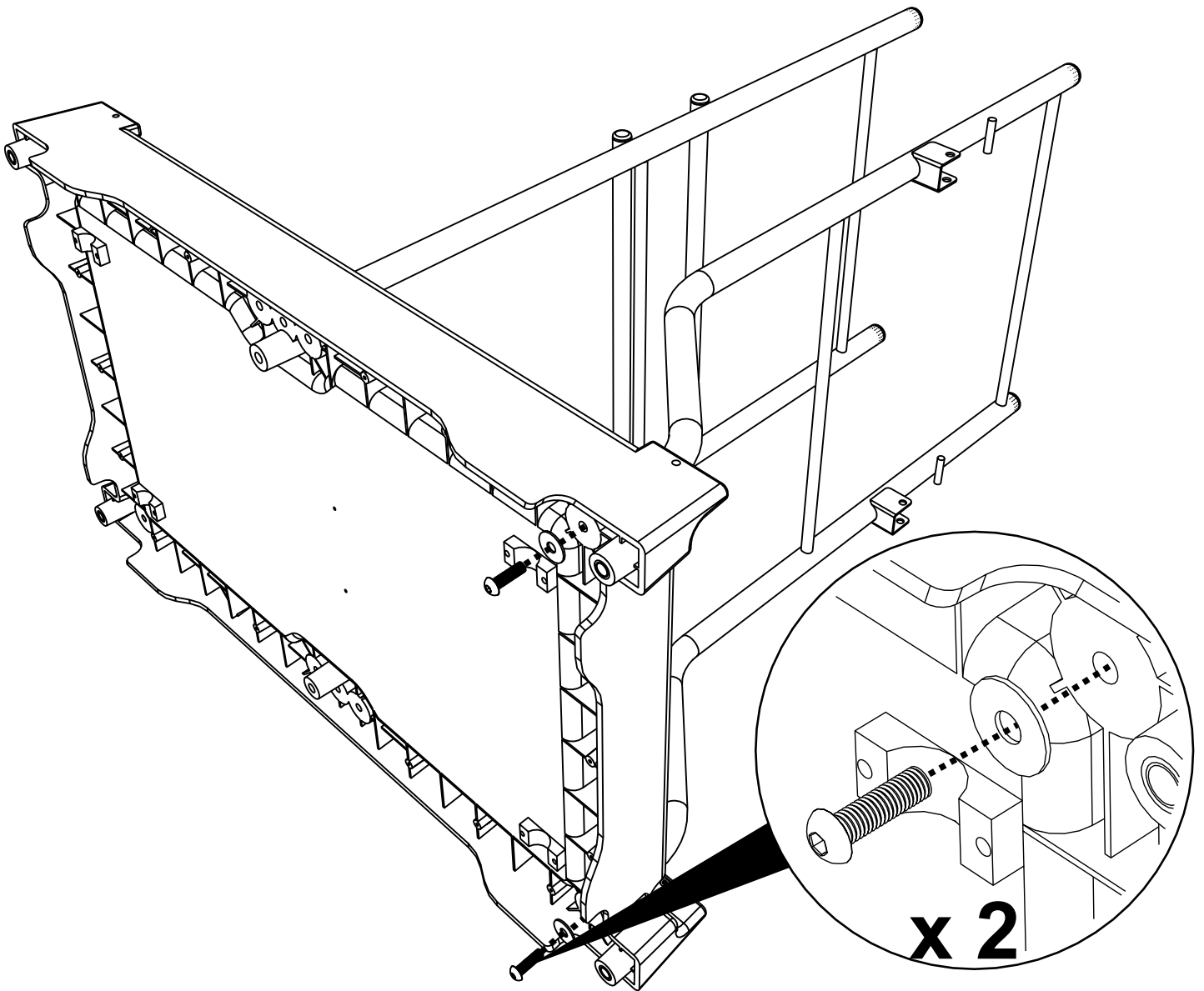


x 2

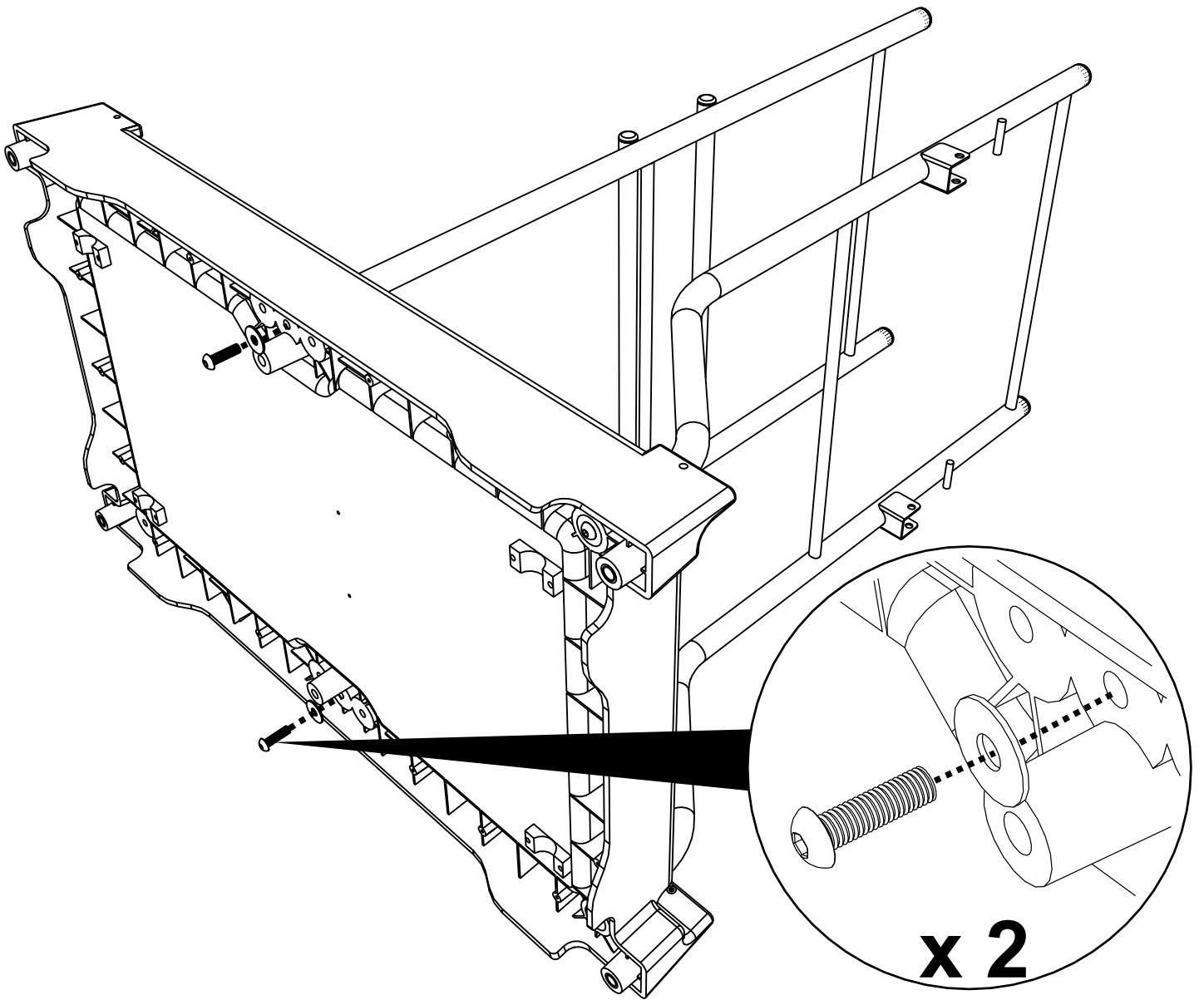
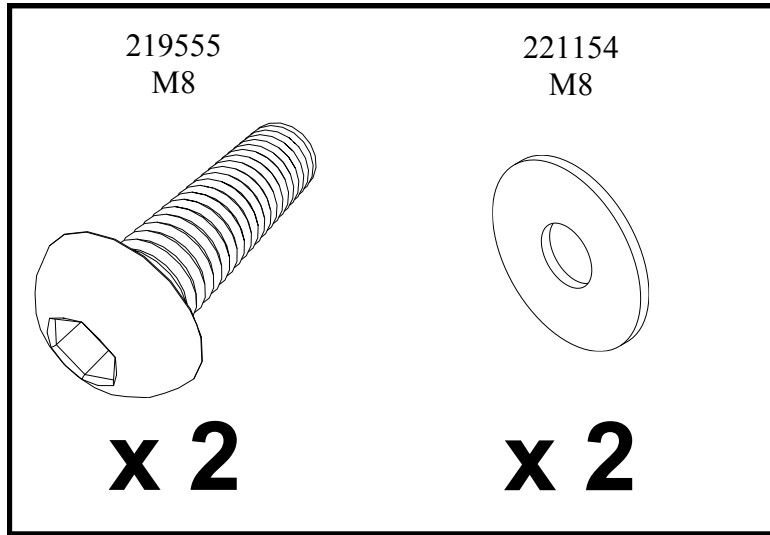
219554

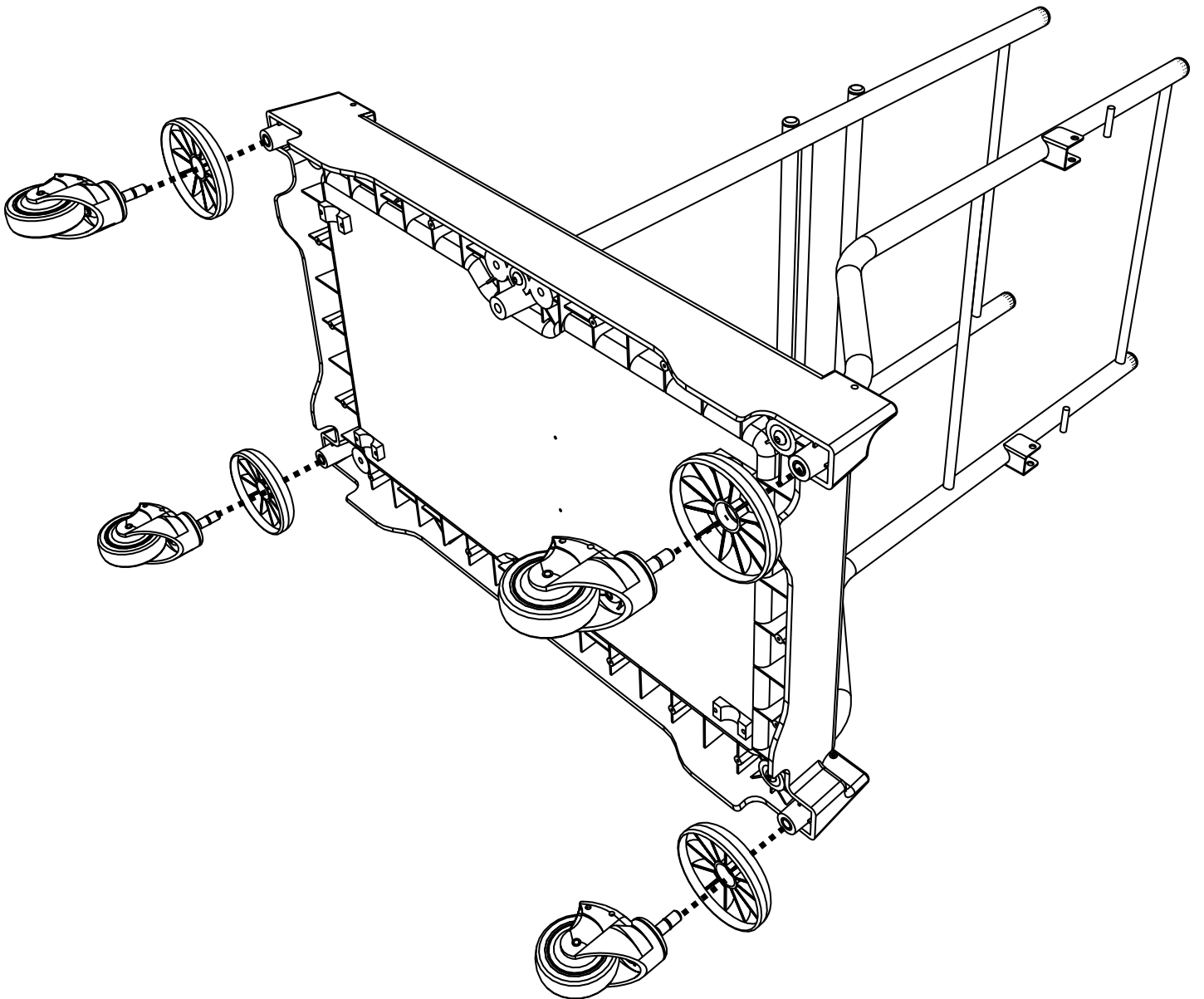
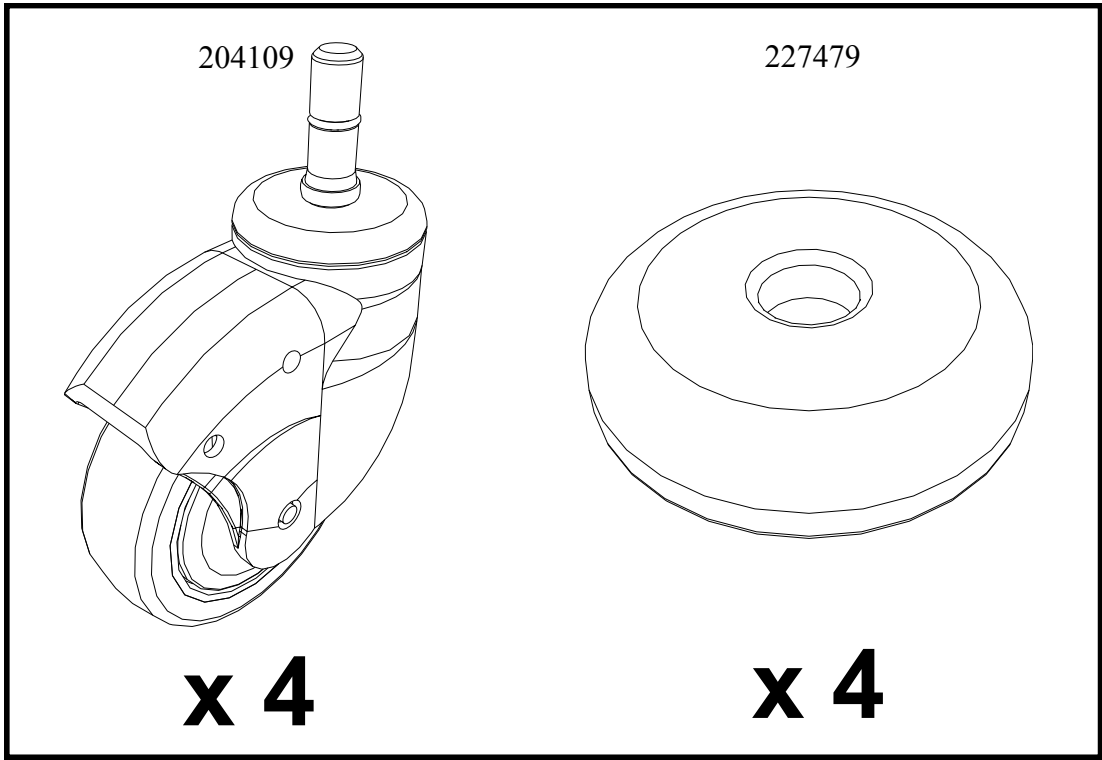


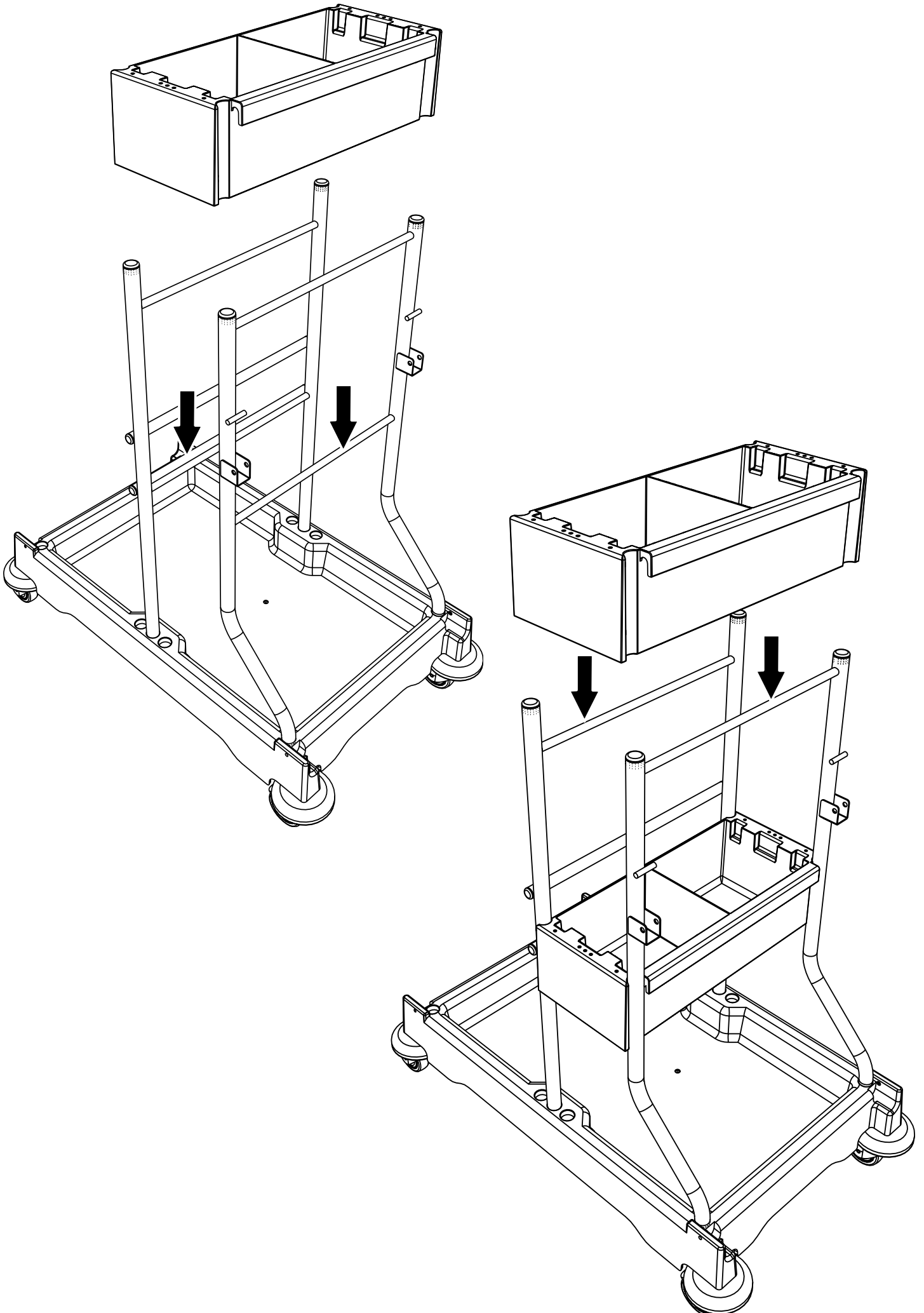
x 1



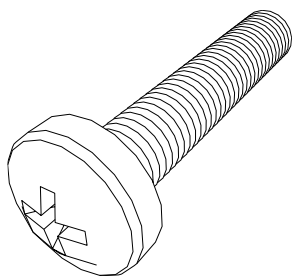
x 2



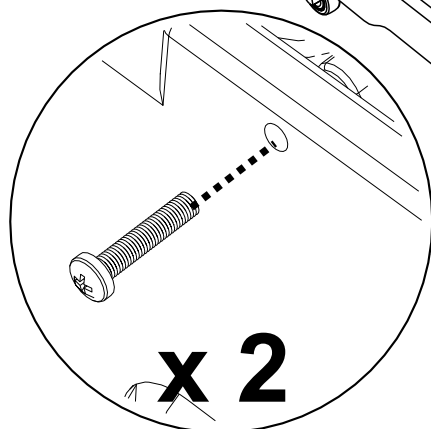
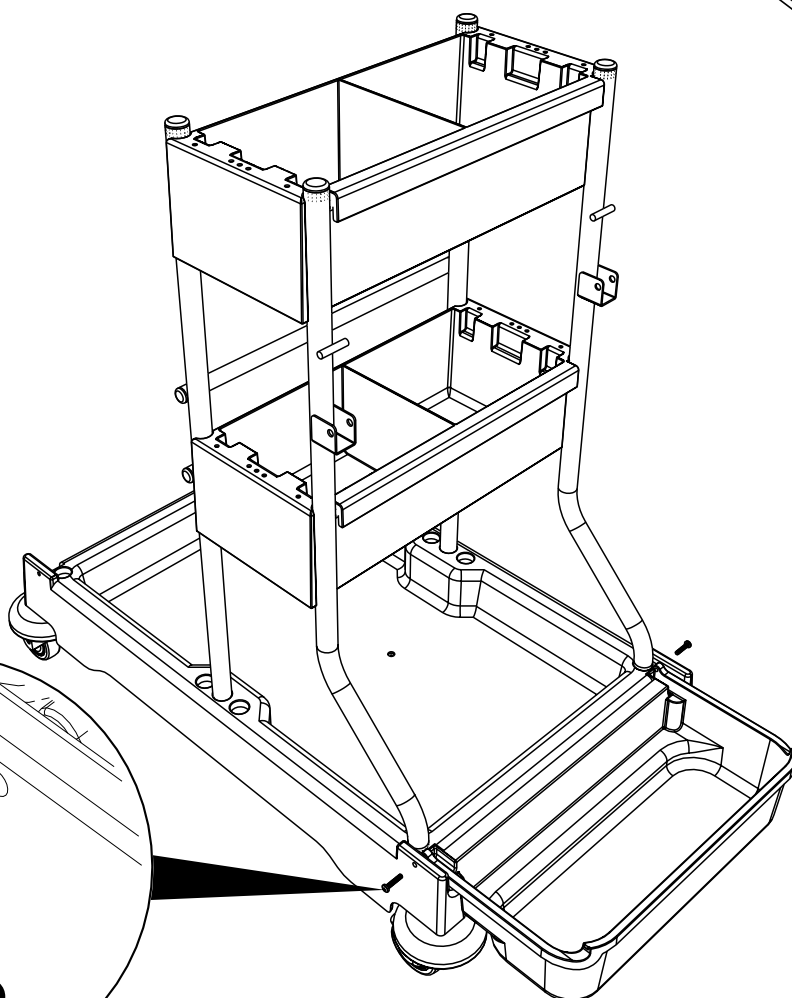
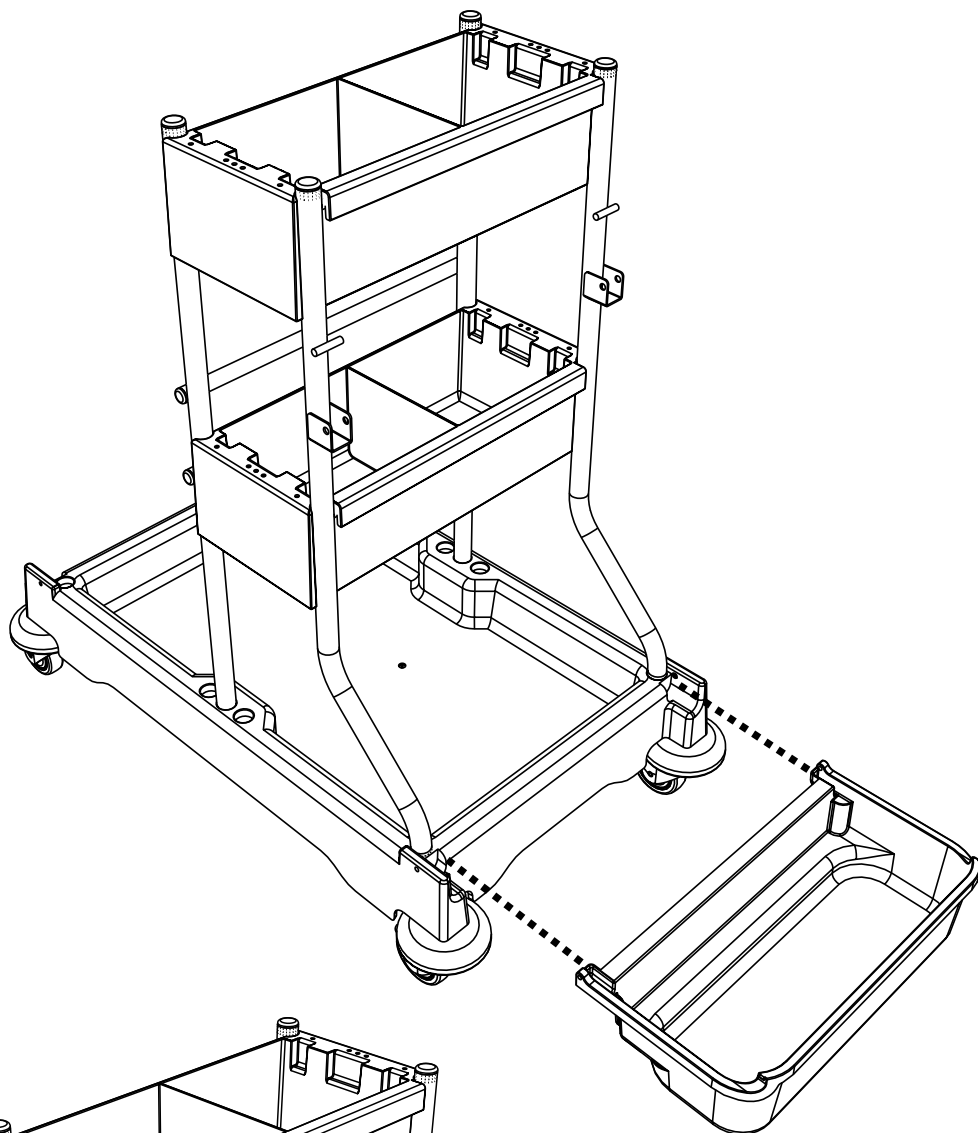




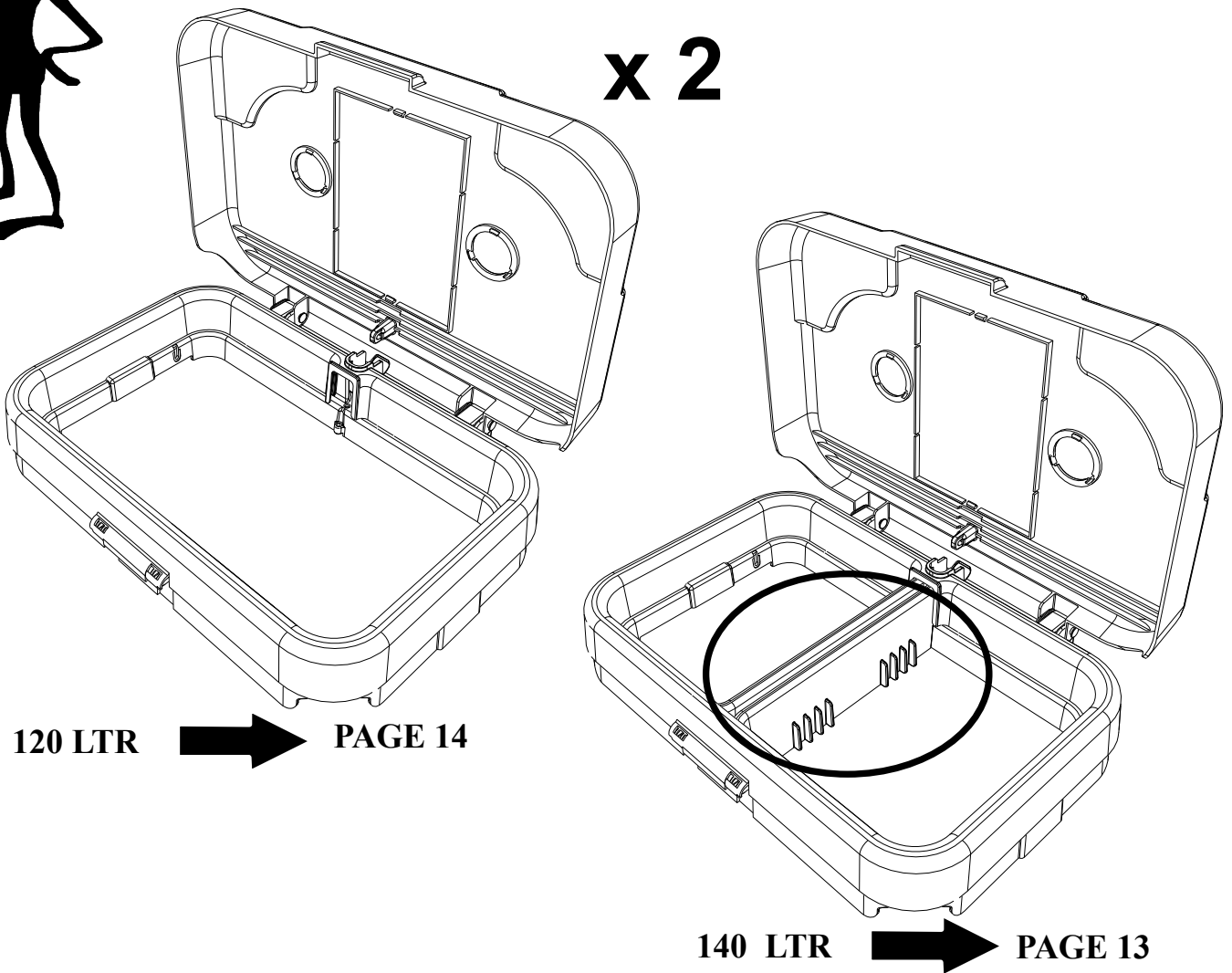
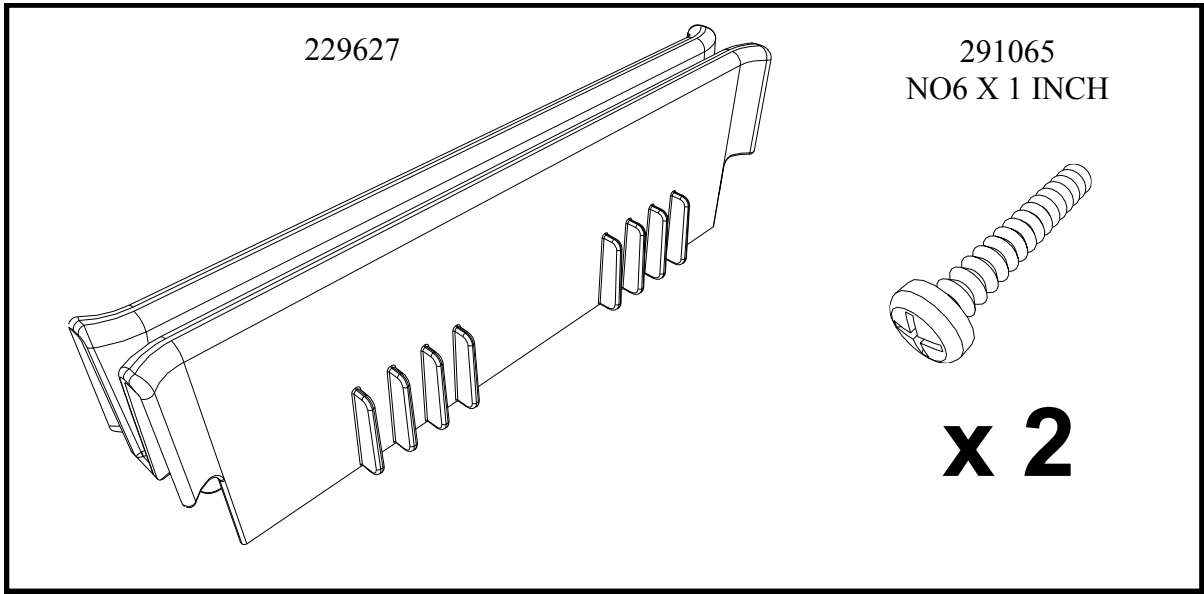
219057
M5 X 25



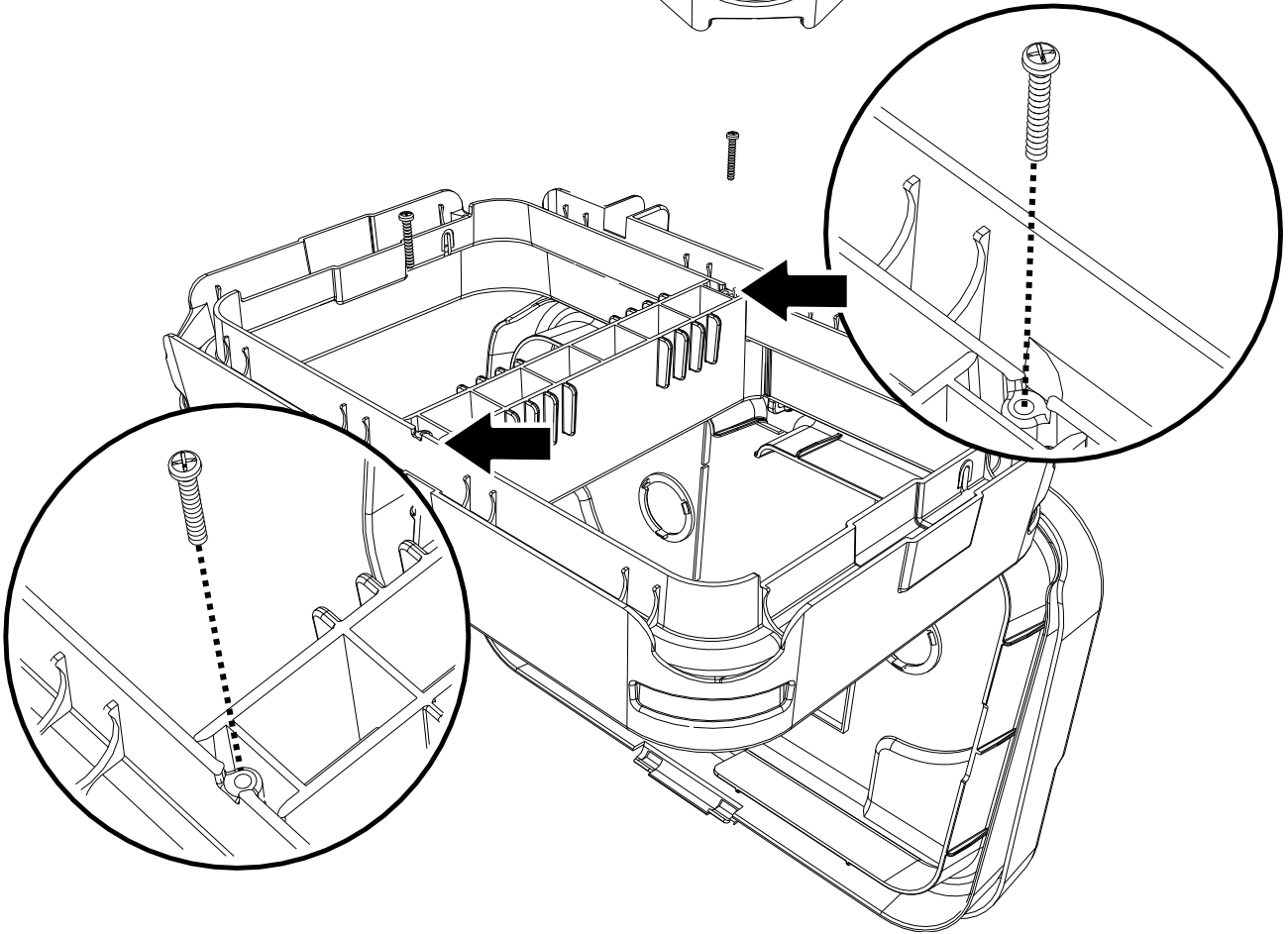
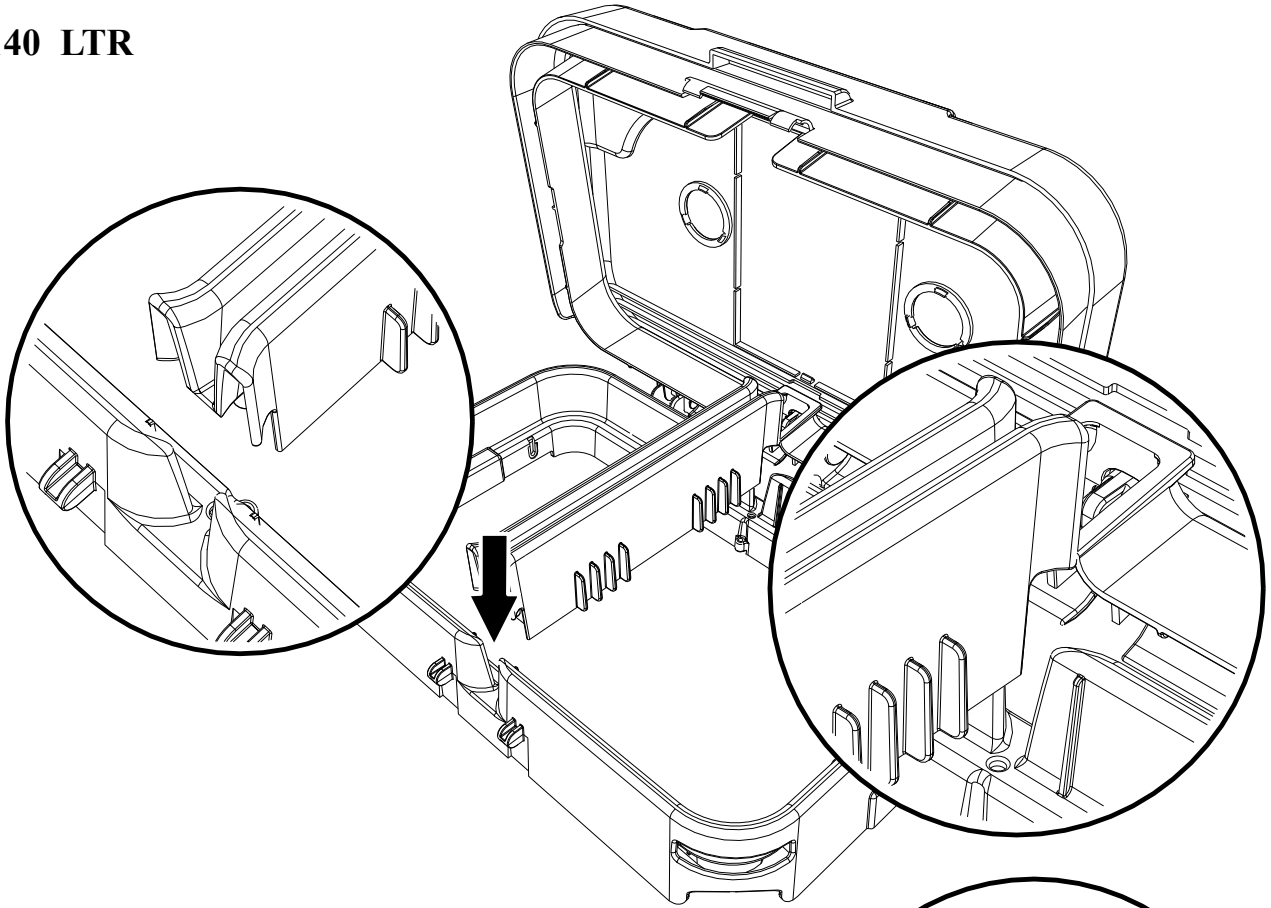
x 2

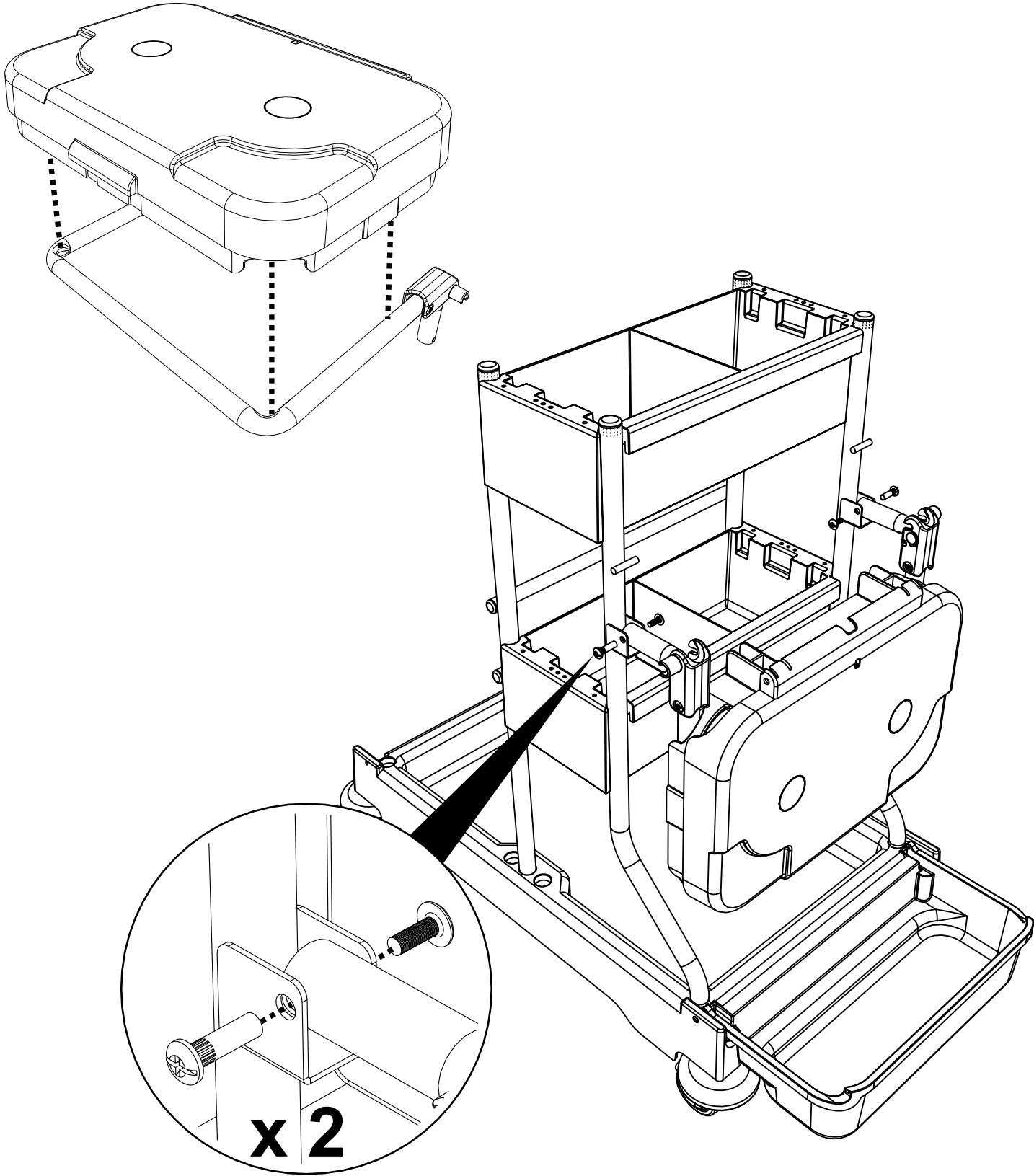
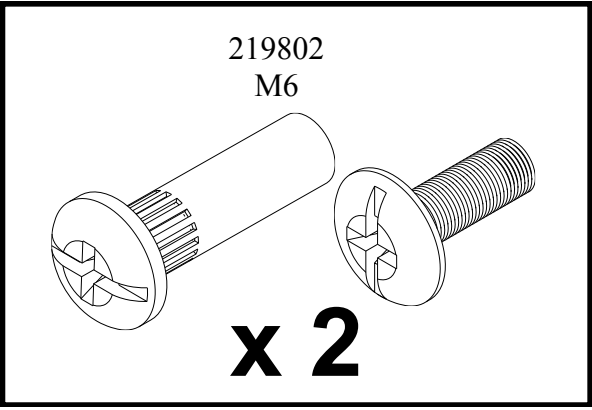


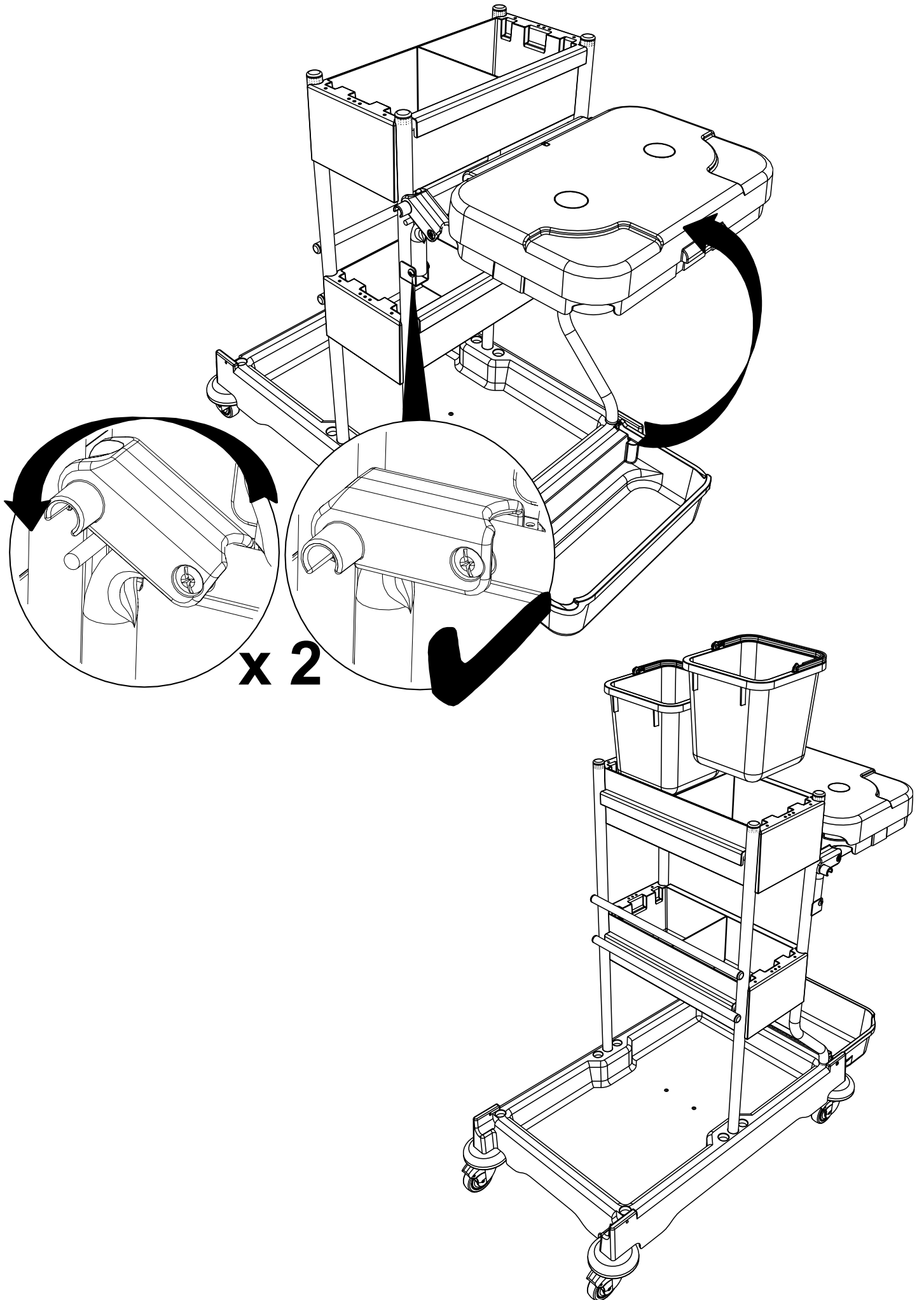
x 2



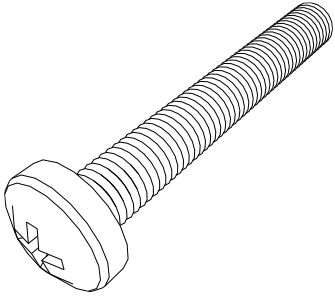
140 LTR



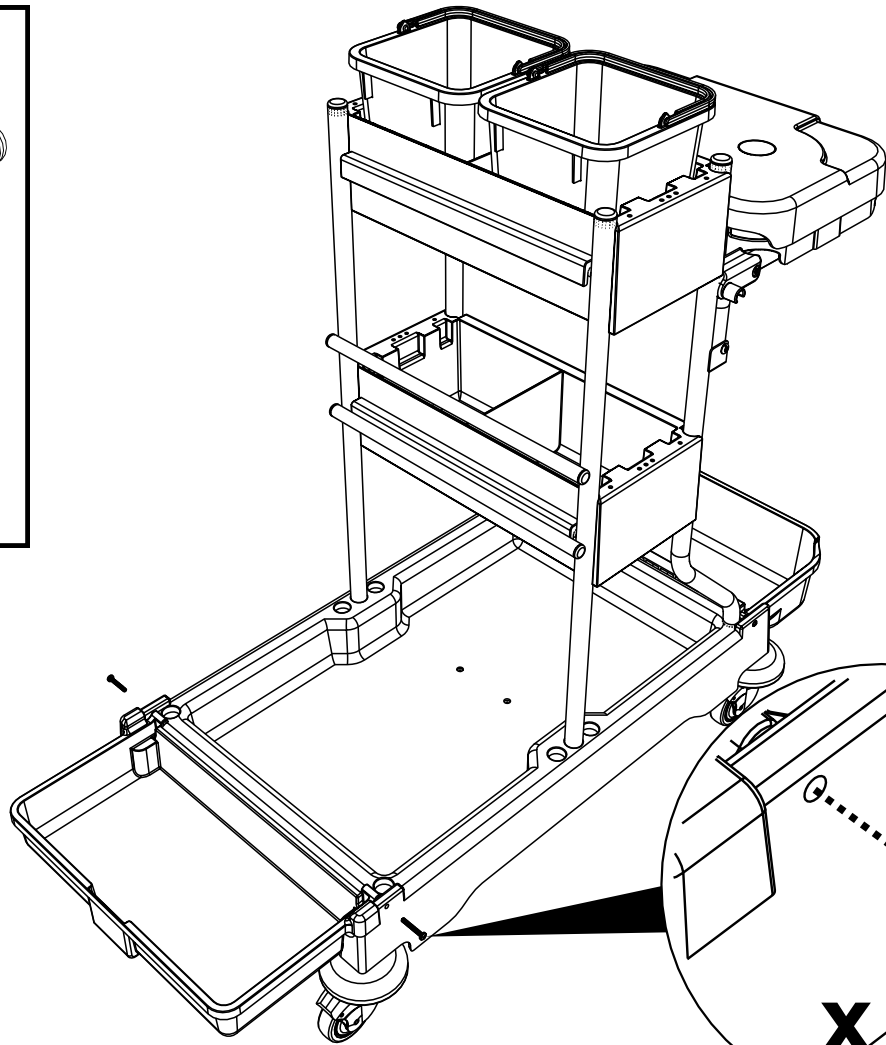




220033
M5 X 35



x 2



x 2

