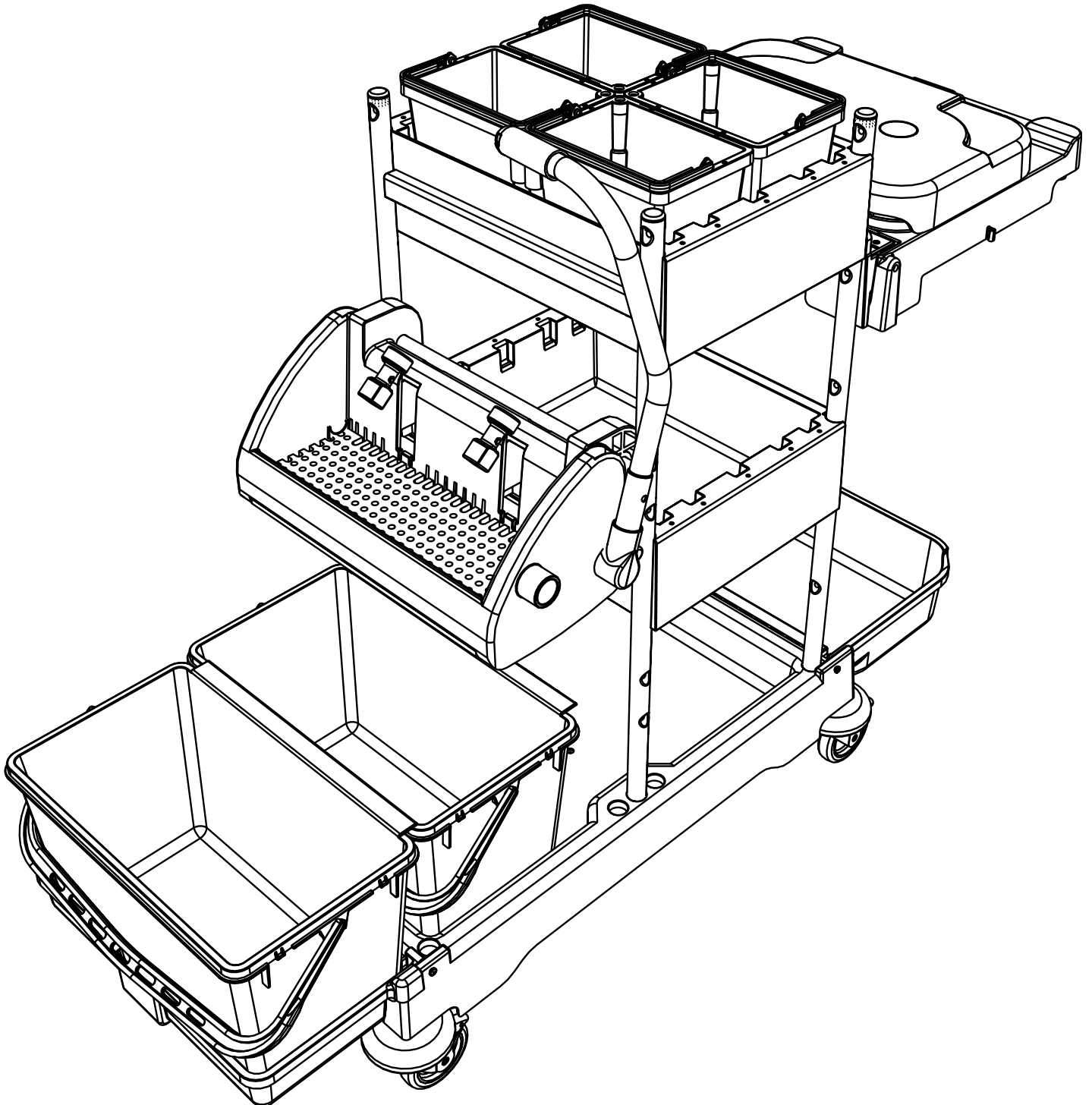
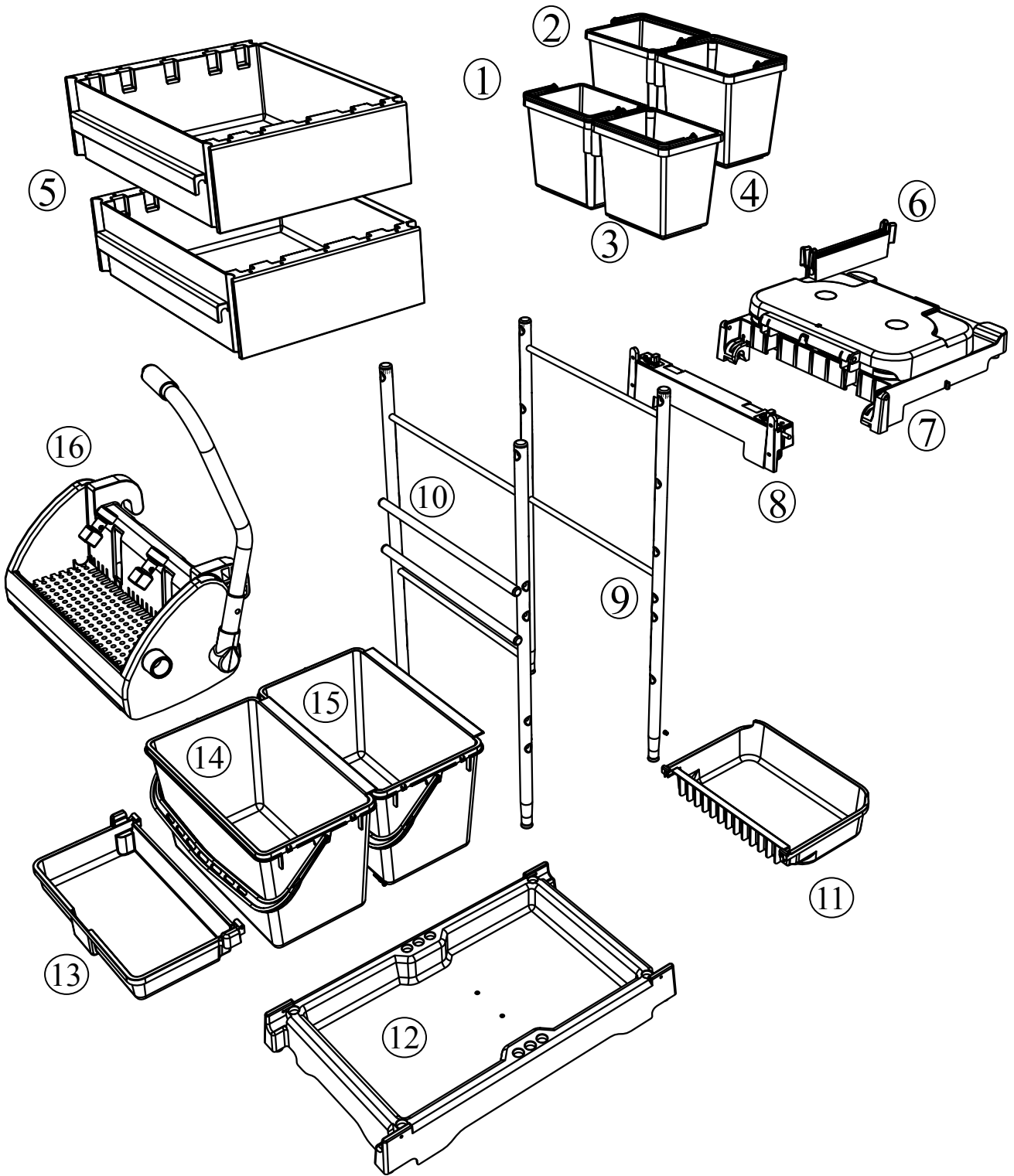


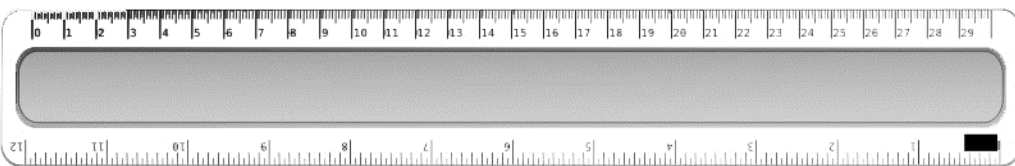
Numatic

SCG 1705 C/W SBA3G



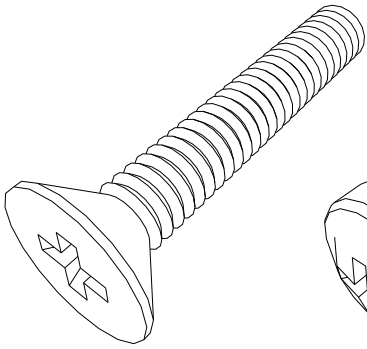


0.50 HR



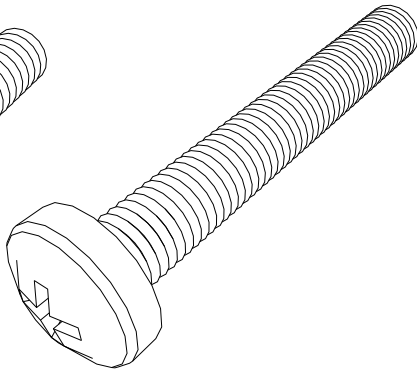
ITEM	PART	DESCRIPTION	QTY
1	905226	5LTR SWING PAIL BLUE HANDLE	1
2	905225	5LTR SWING PAIL RED HANDLE	1
3	905227	5LTR SWING PAIL GREEN HANDLE	1
4	905228	5LTR SWING PAIL YELLOW HANDLE	1
5	223614	CLIP ON TRAY PLAIN	2
6	223618	BAG FRAME INSERT	1
7	904268	BAG FRAME/LID ASSEMBLY	1
8	904270	BAG SUPPORT MOUNT ASSEMBLY	1
9	903995	REAR UPRIGHT	1
10	903988	FRONT UPRIGHT	1
11	223616	BAG SUPPORT TRAY	1
12	328154	BASE	1
13	903472	EXTENSION TRAY	1
14	905241	22LTR BUCKET RED HANDLE	1
15	905242	22LTR BUCKET BLUE HANDLE	1
16	905678	FLATPRESS	1
—	629445	REPLACEMENT 120 LTR WASTE SACKS	1 x10
—	629444	REPLACEMENT 70 LTR WASTE SACKS	1 x 10

904520
M5 X 30



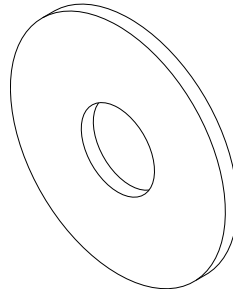
x 4

220033
M5 X 35



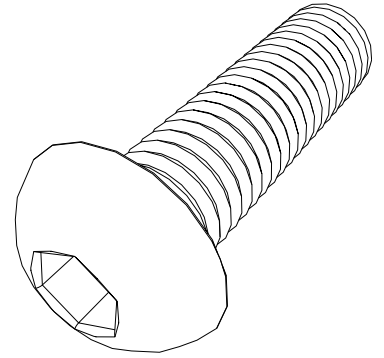
x 4

221154
M8



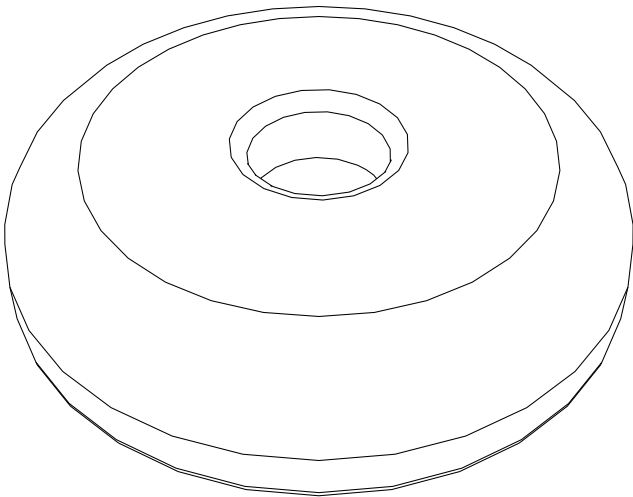
x 4

219555
M8 X 25



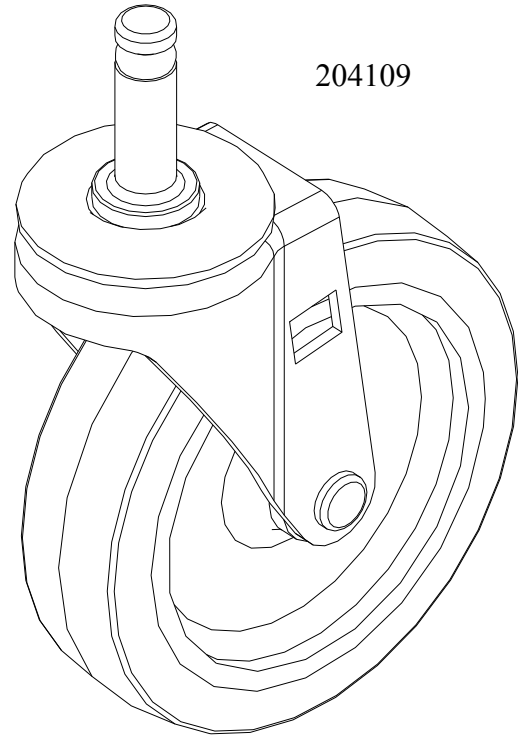
x 4

227479



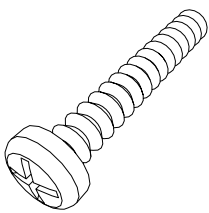
x 4

204109



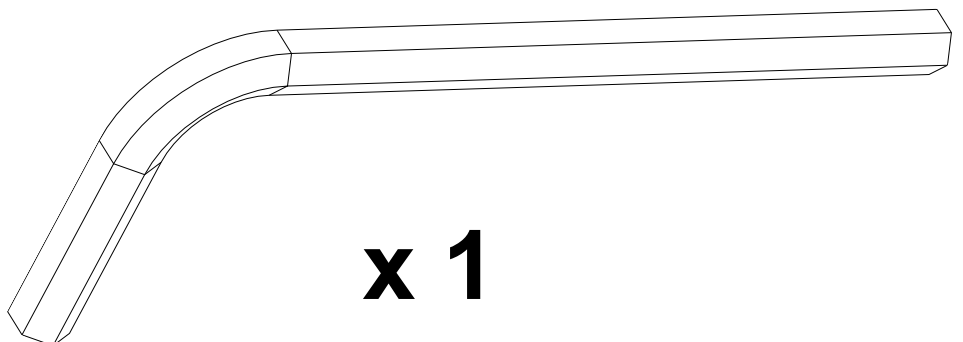
x 4

219602
NO6 X 1 INCH

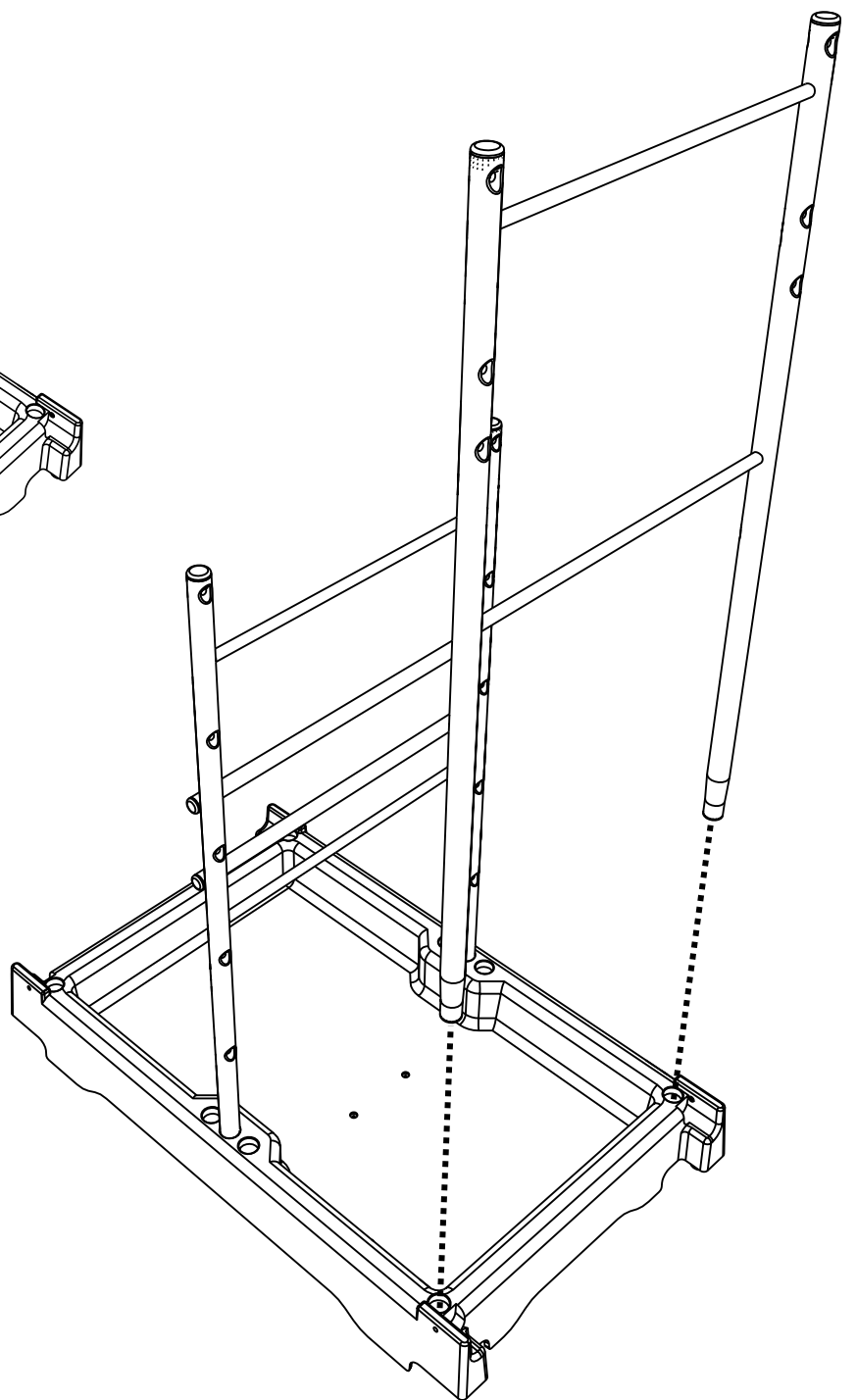
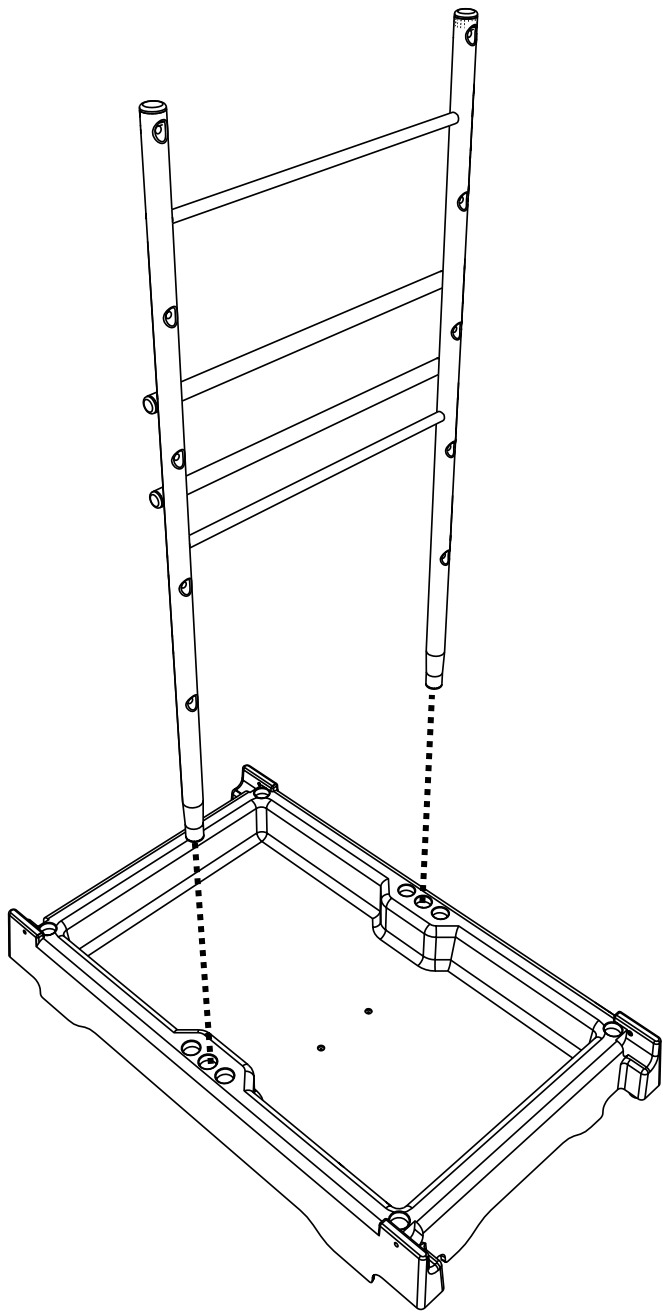


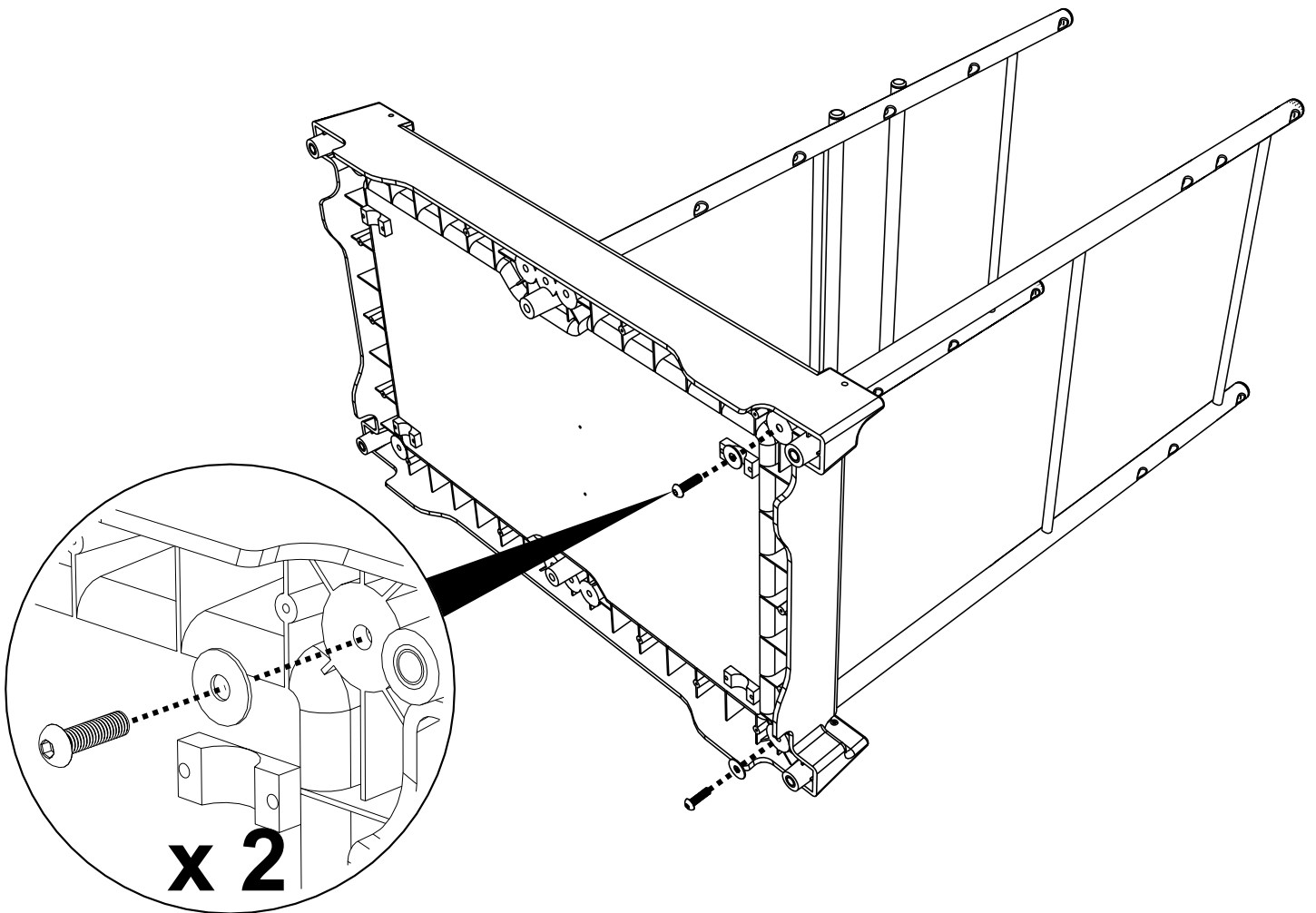
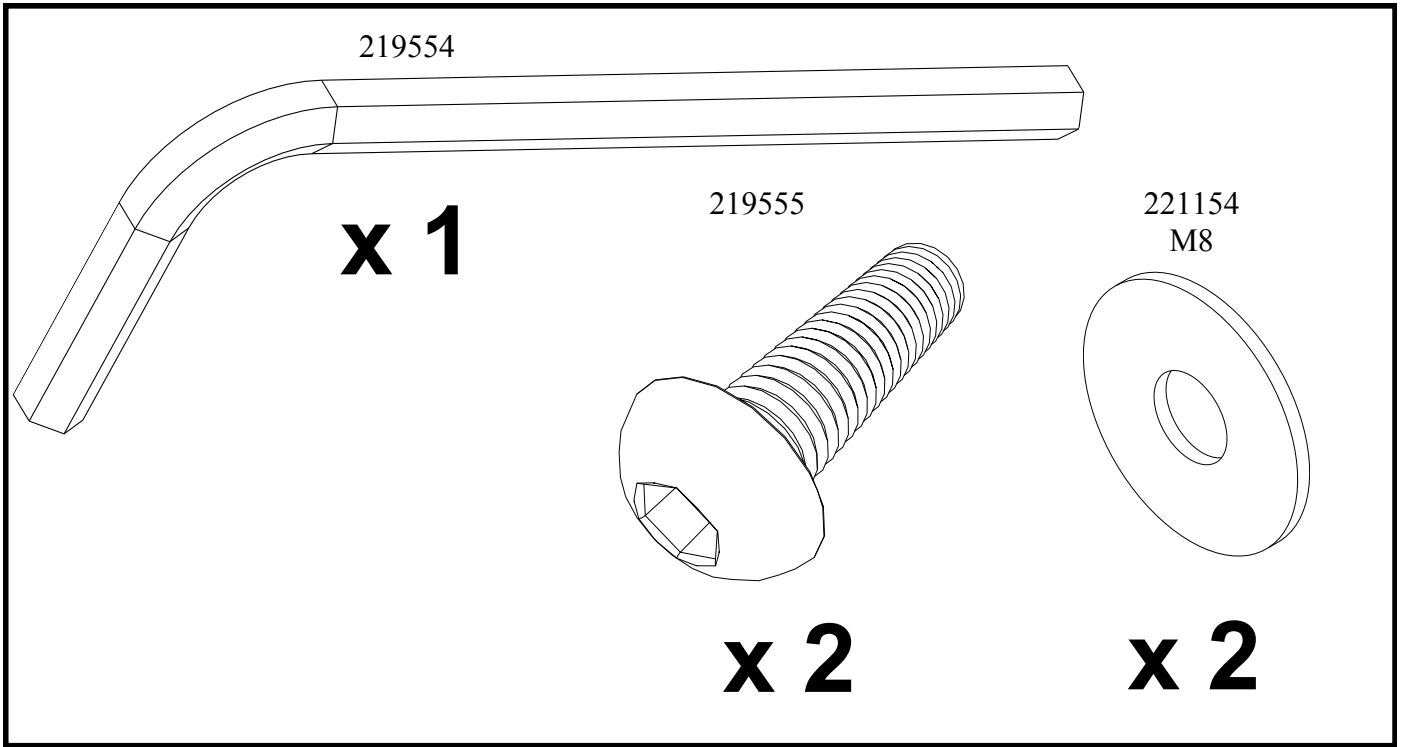
x 2

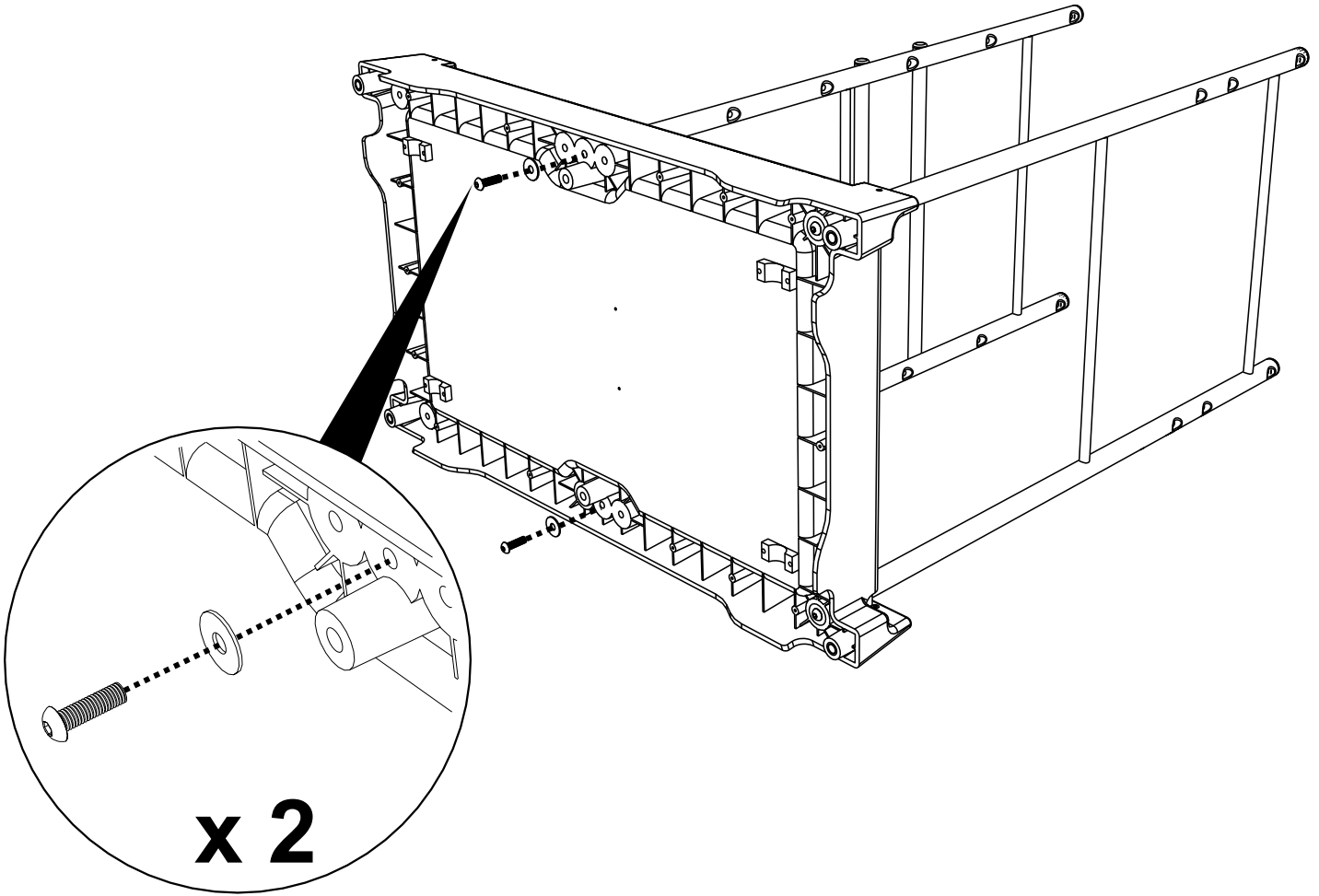
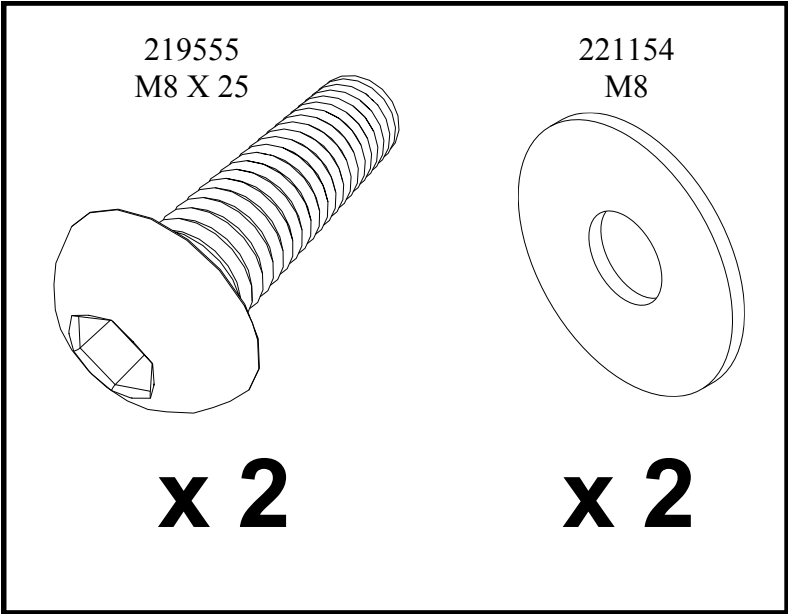
219554



x 1

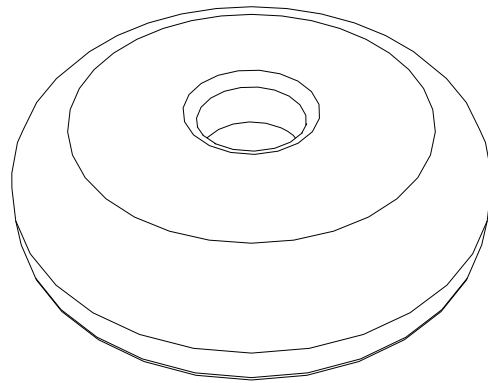
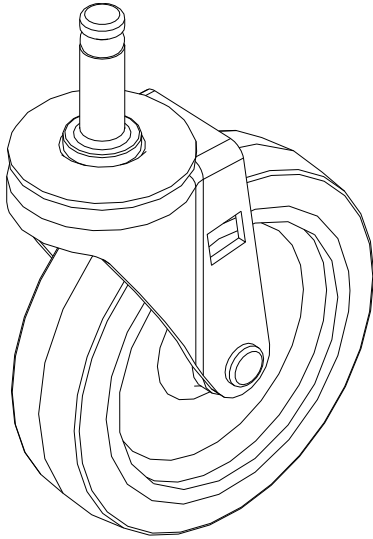






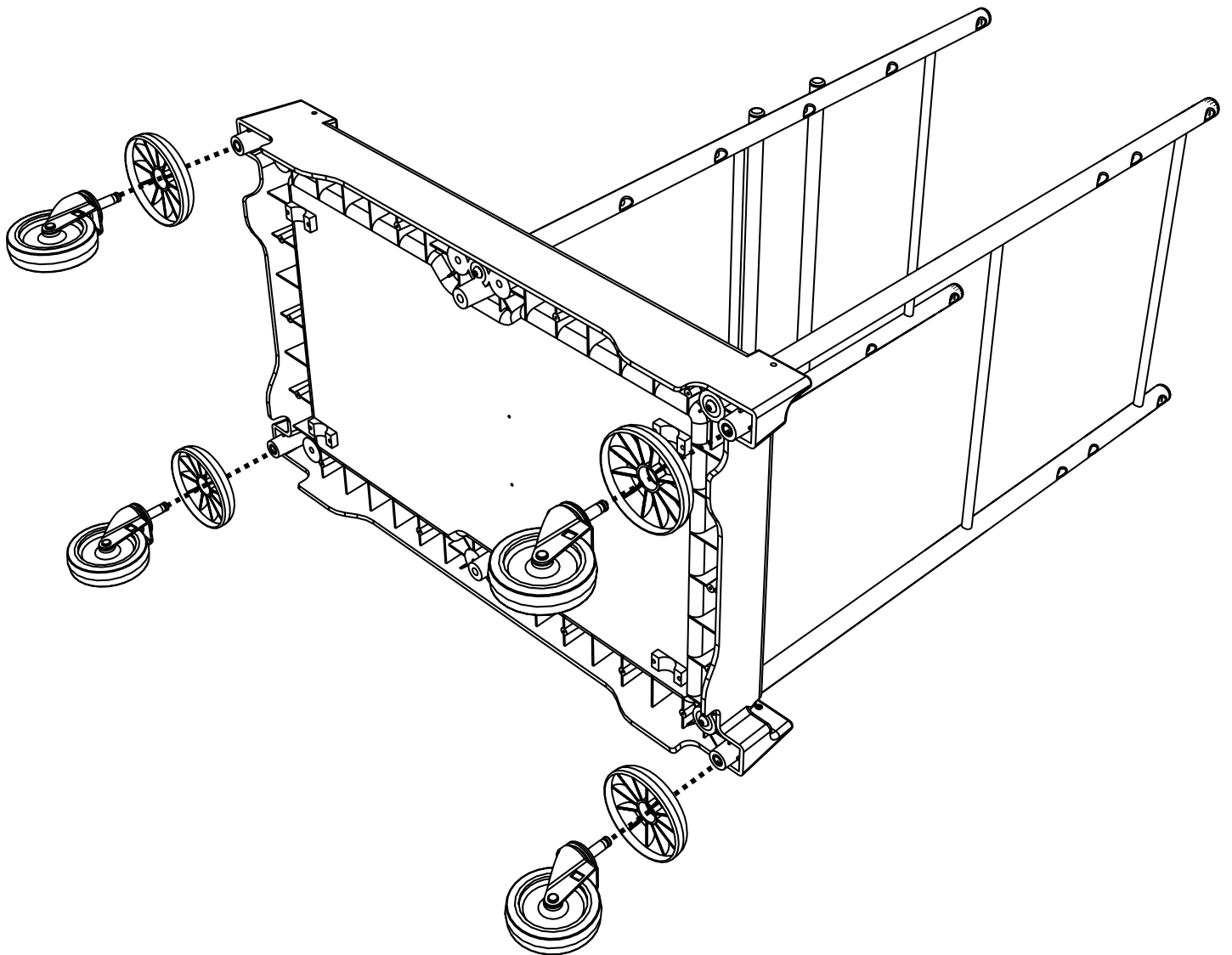
204109

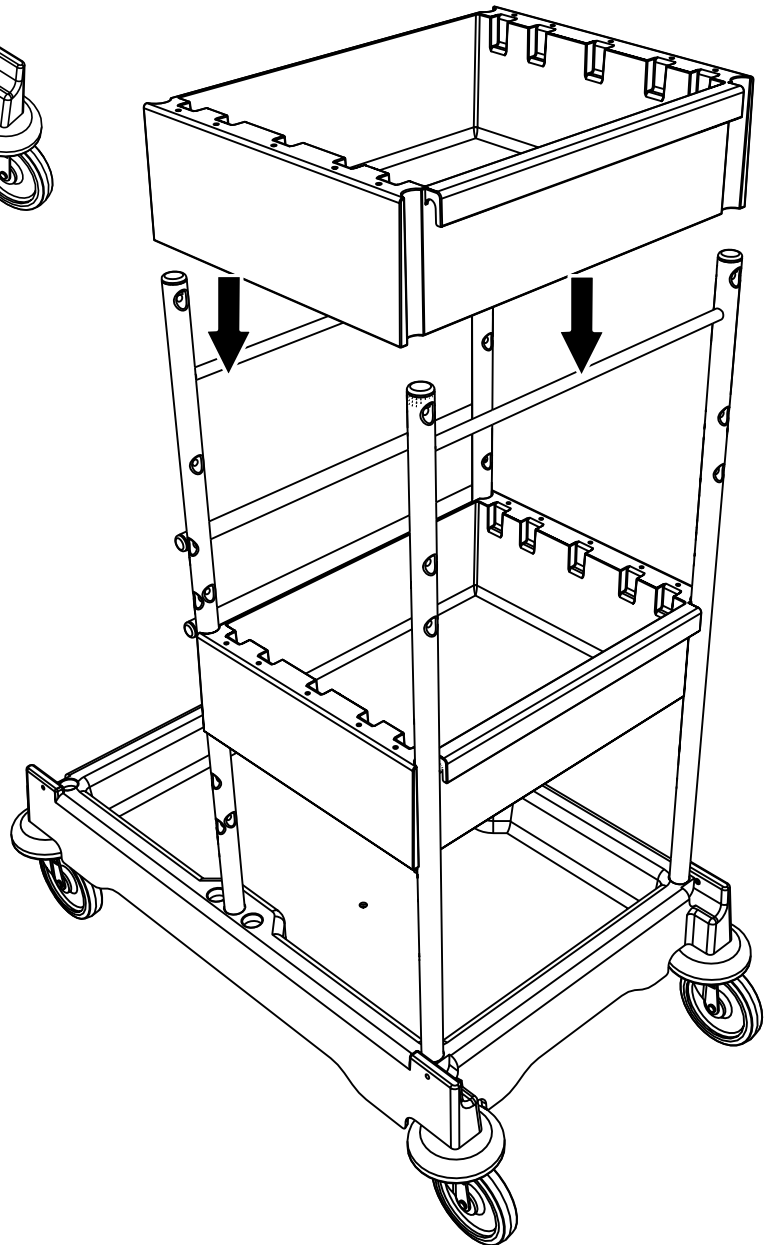
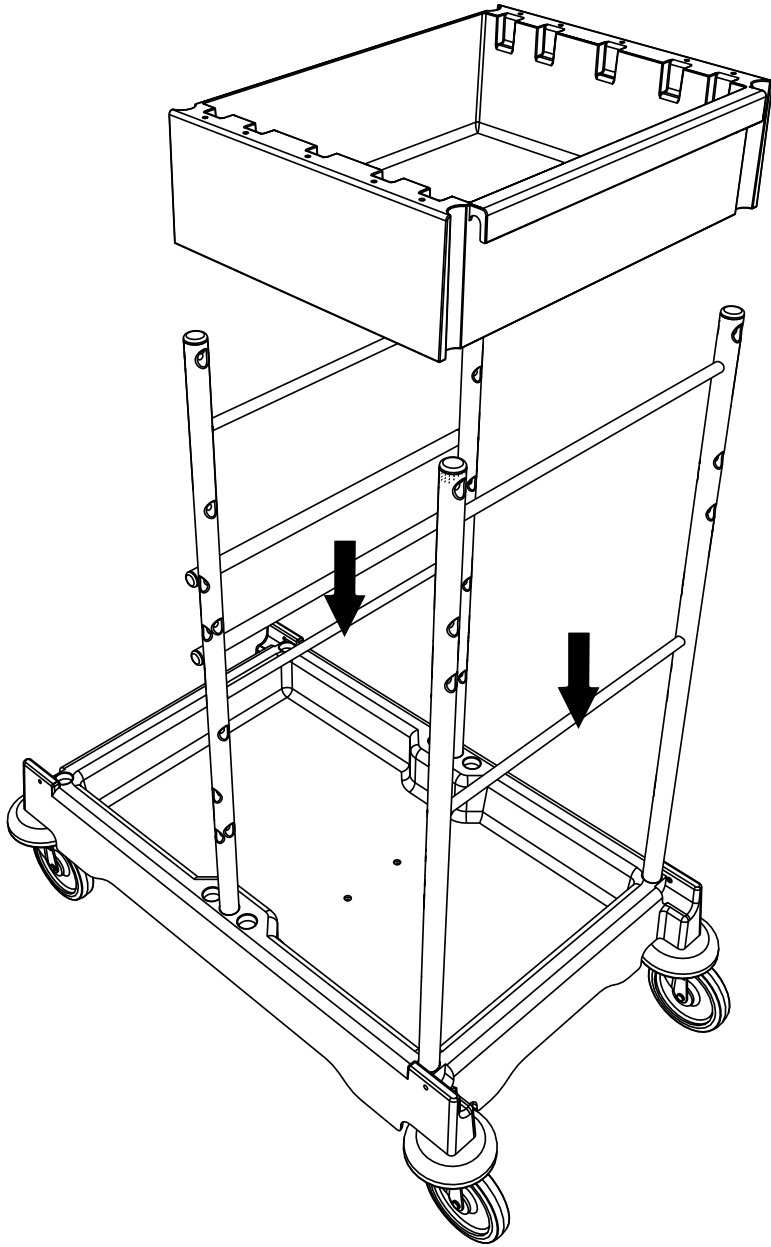
227479



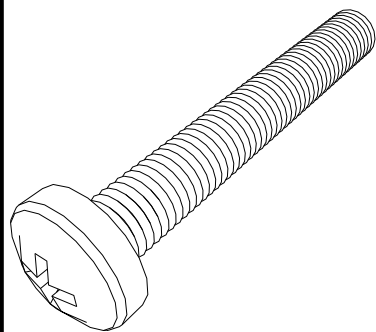
x 4

x 4

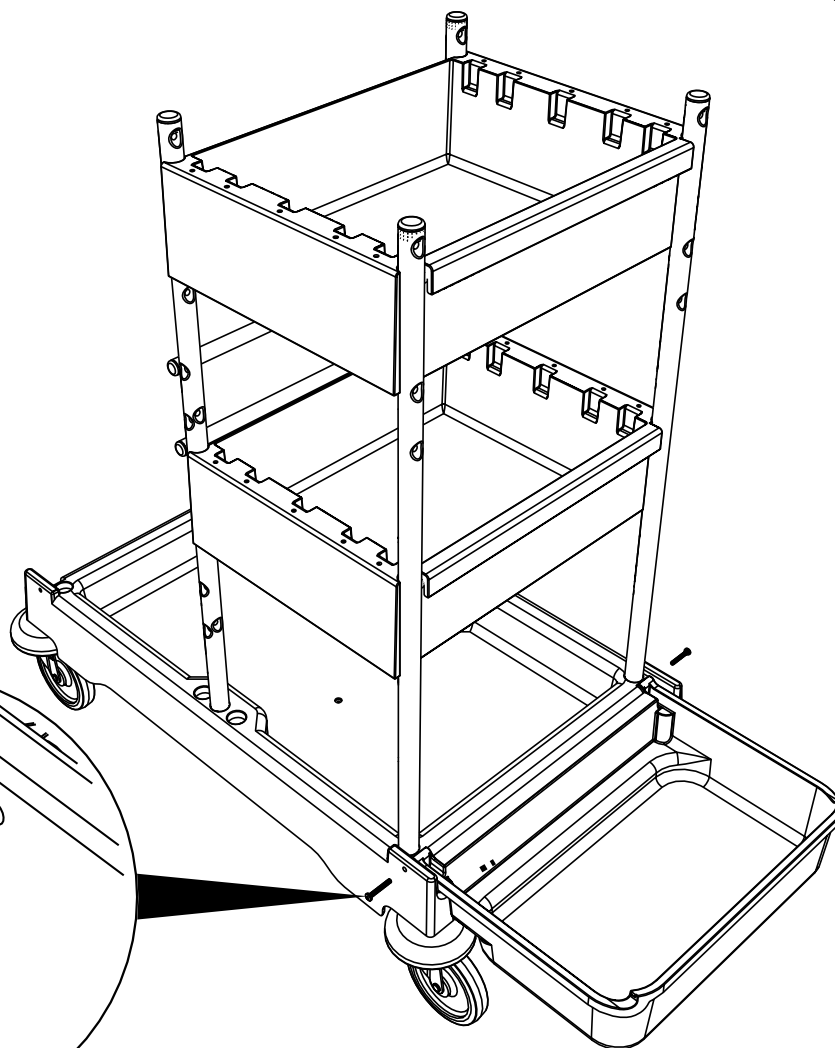
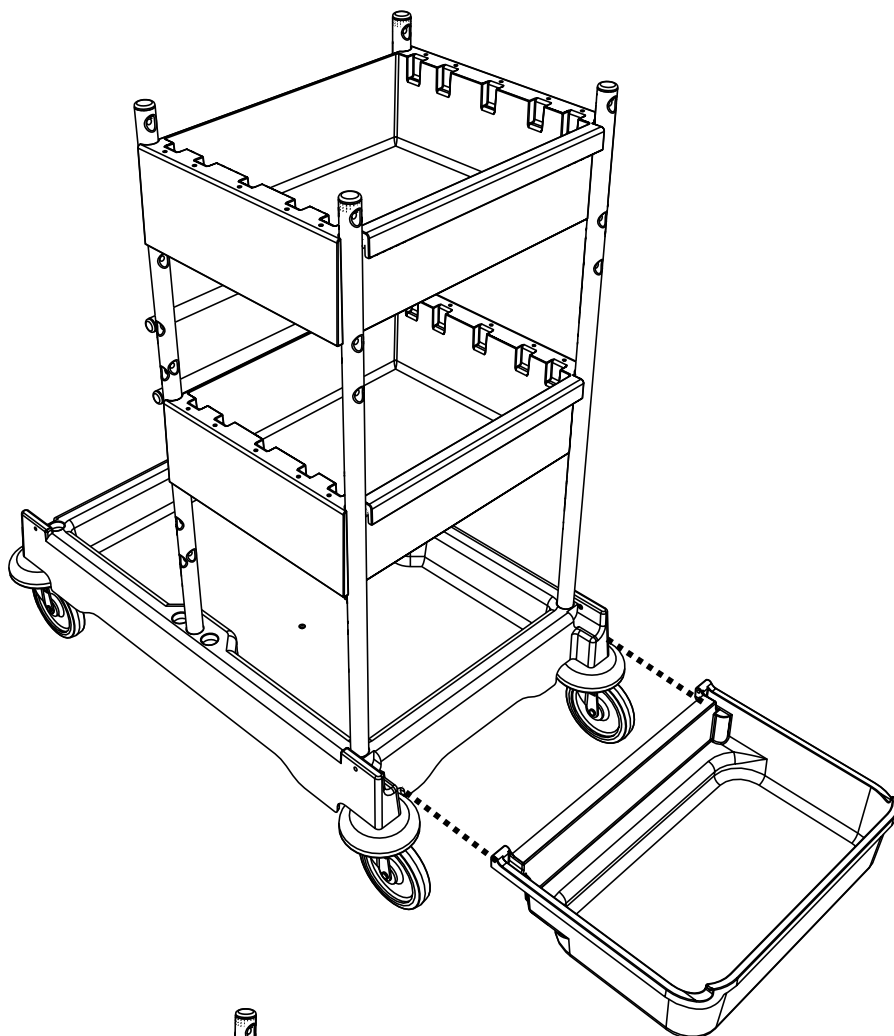




220033
M5 X 35

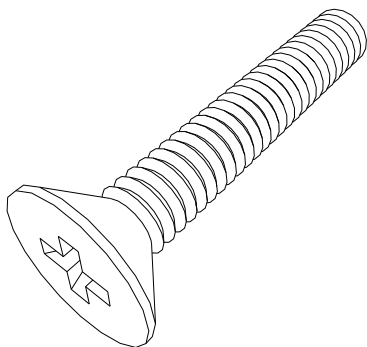


x 2

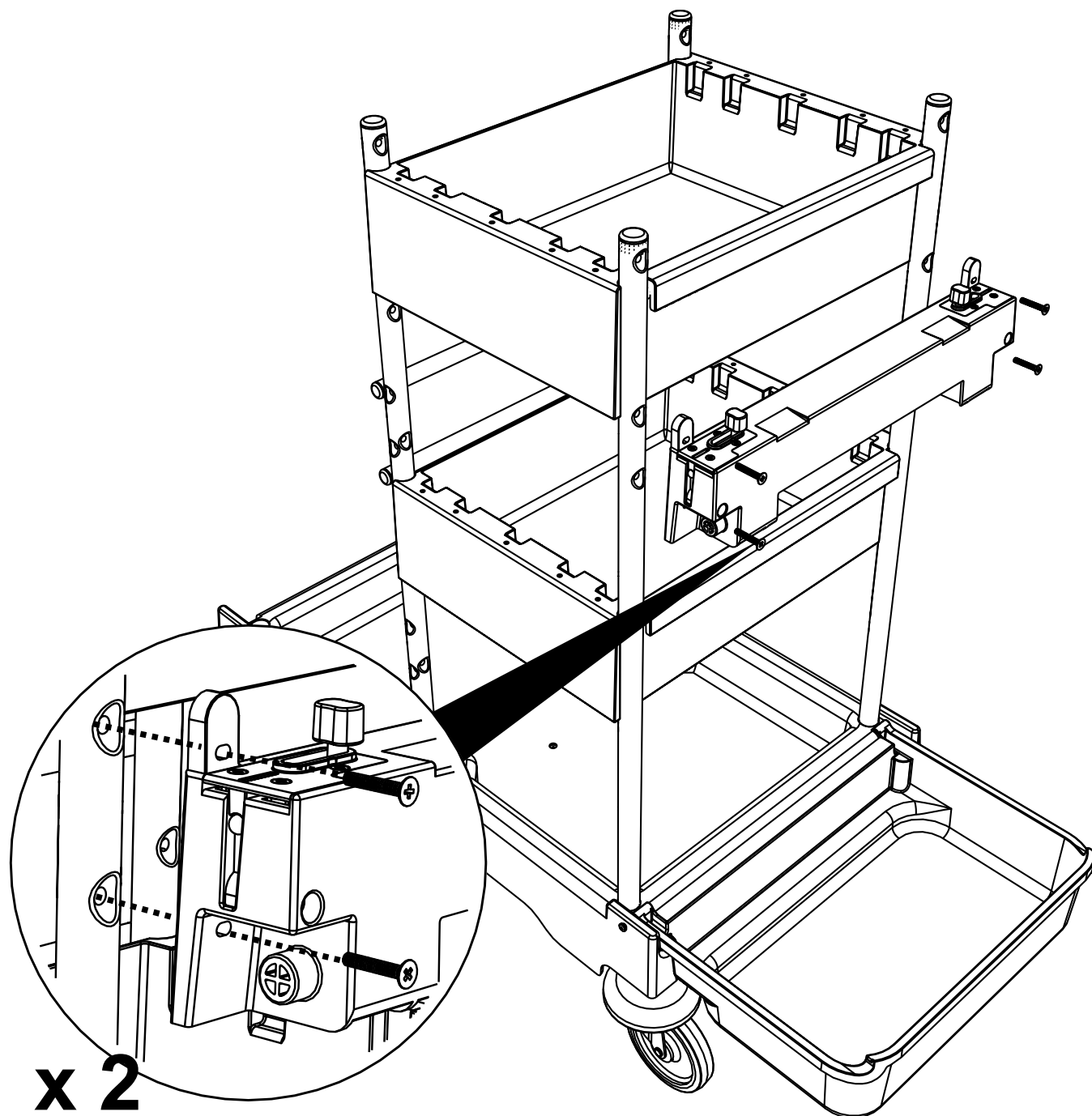


x 2

904520
M5 X 30

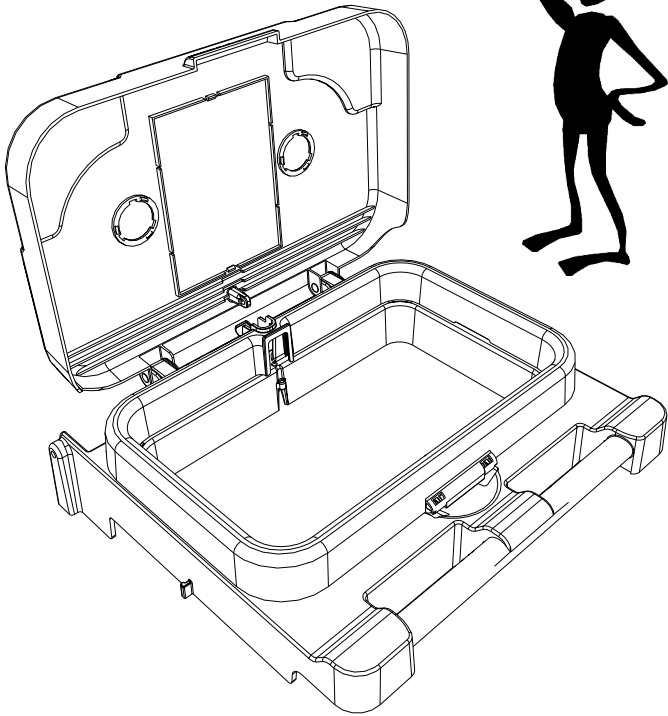


x 4



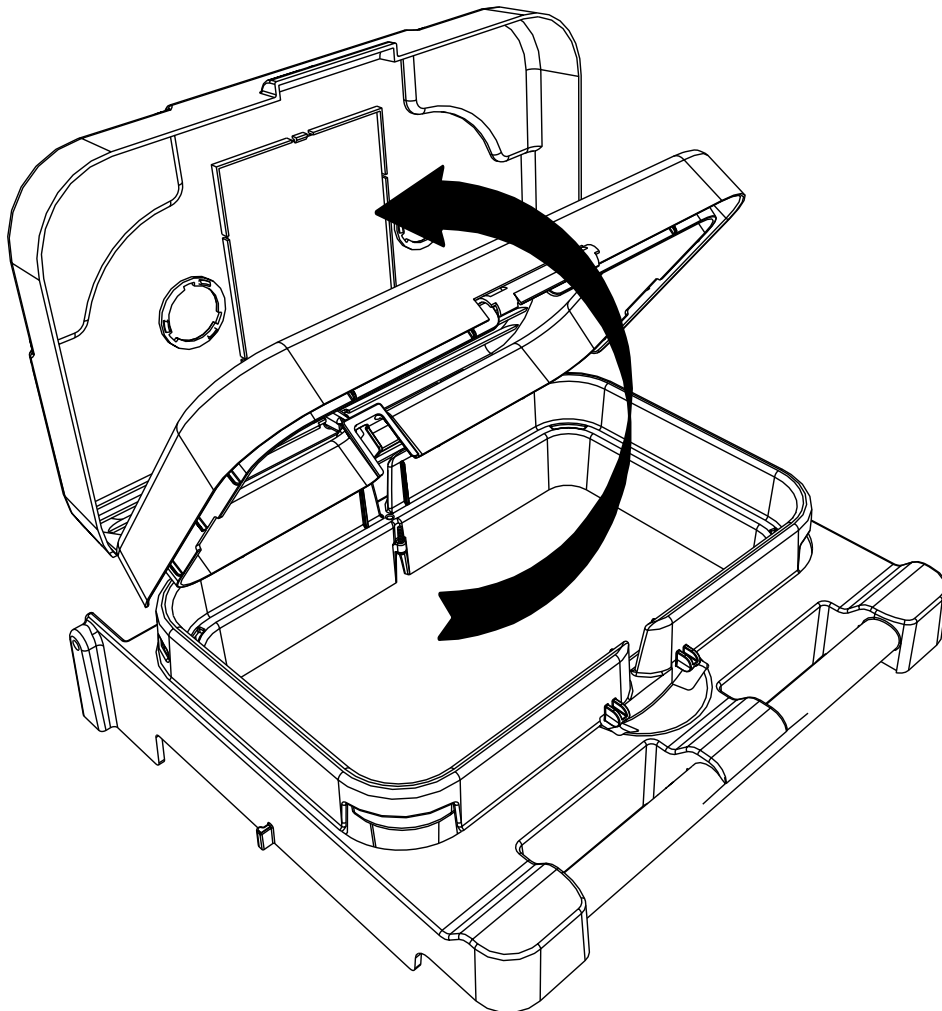
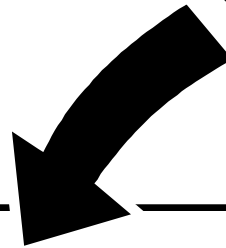
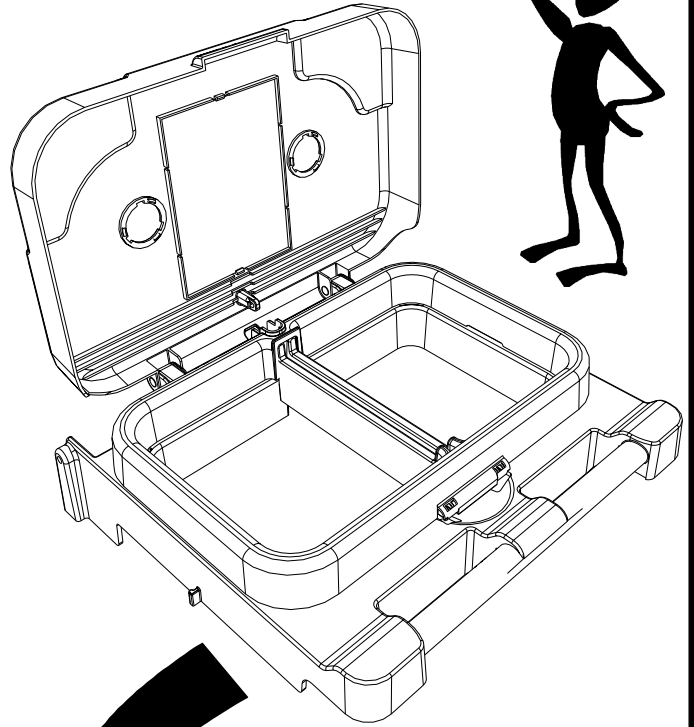
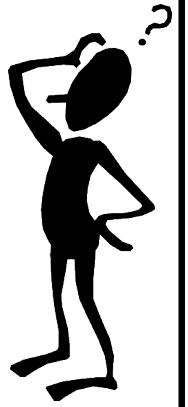
x 2

120 LTR

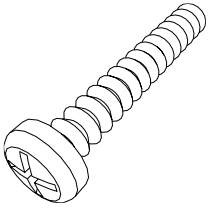


PAGE 14

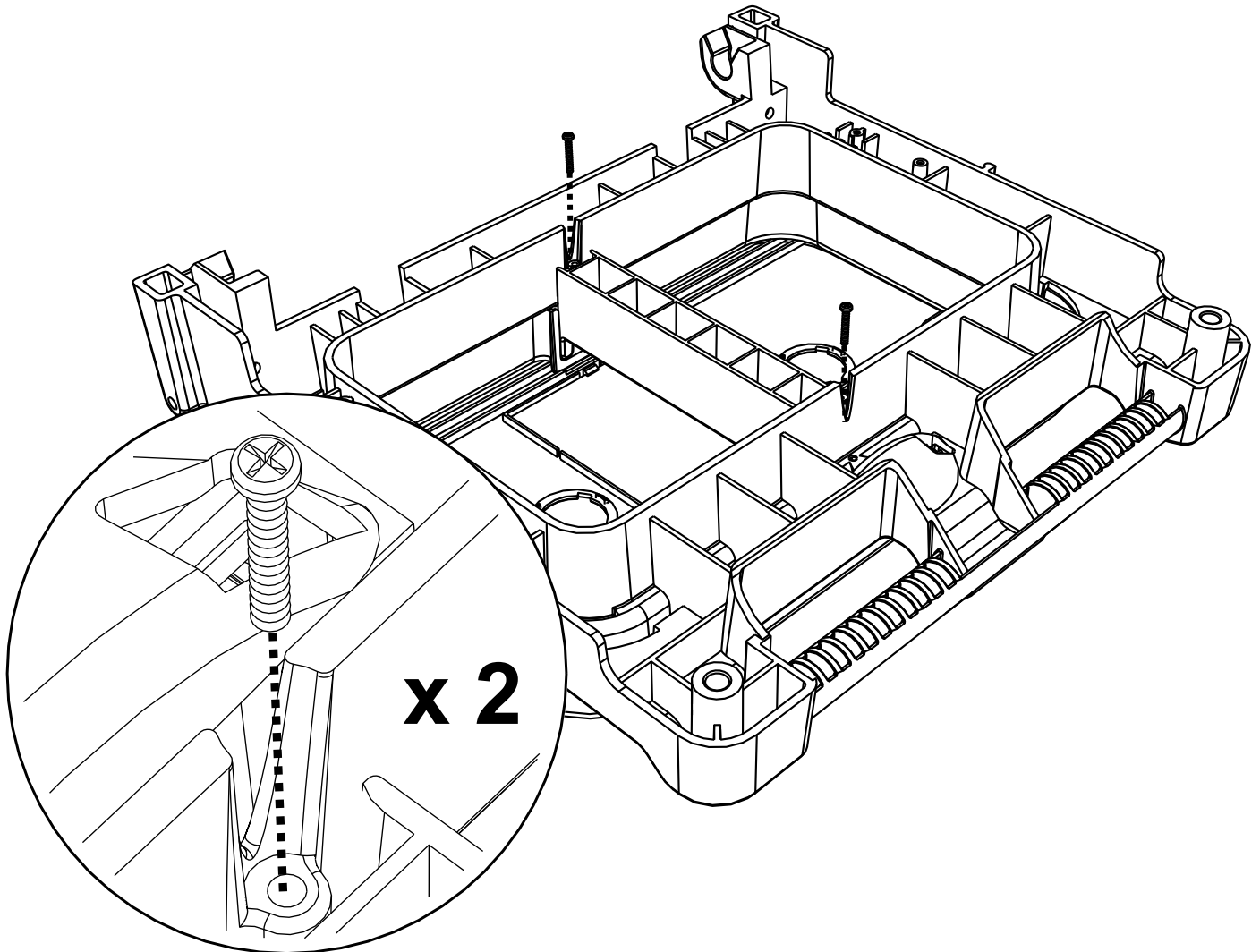
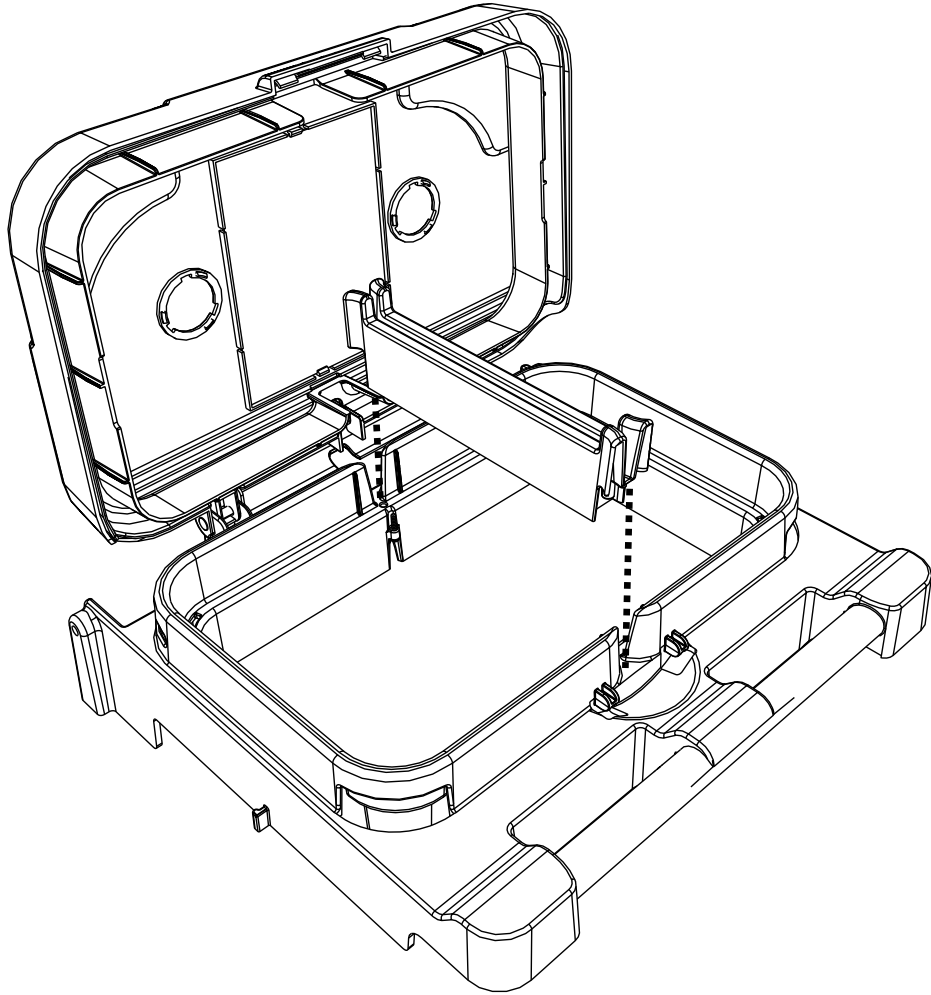
140 LTR

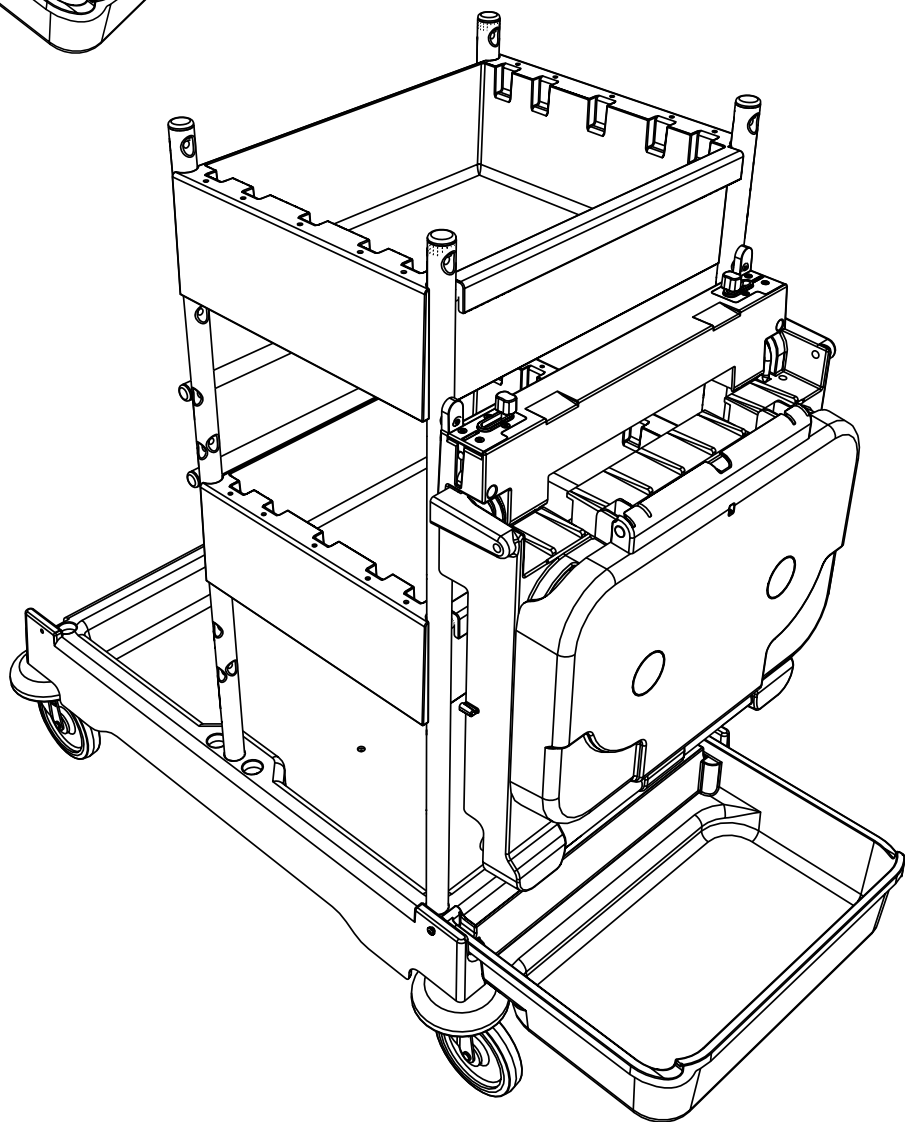
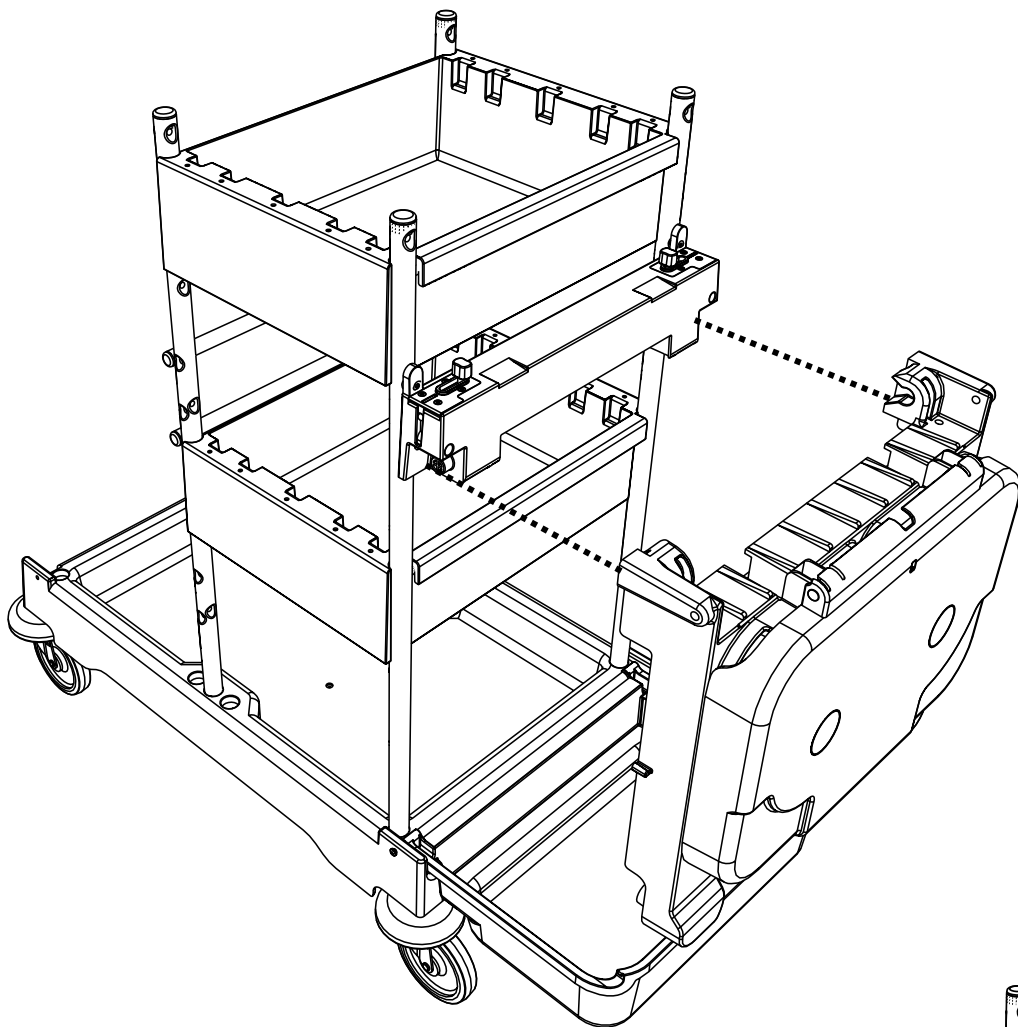


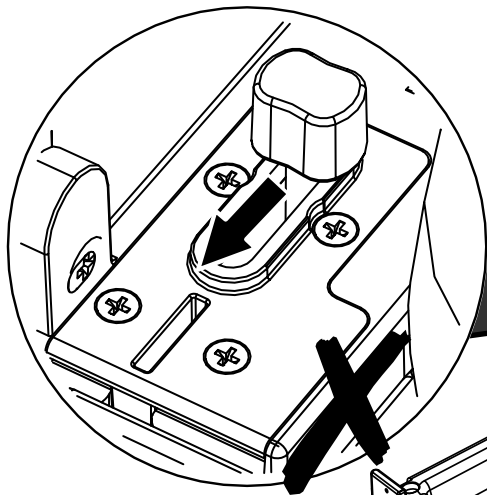
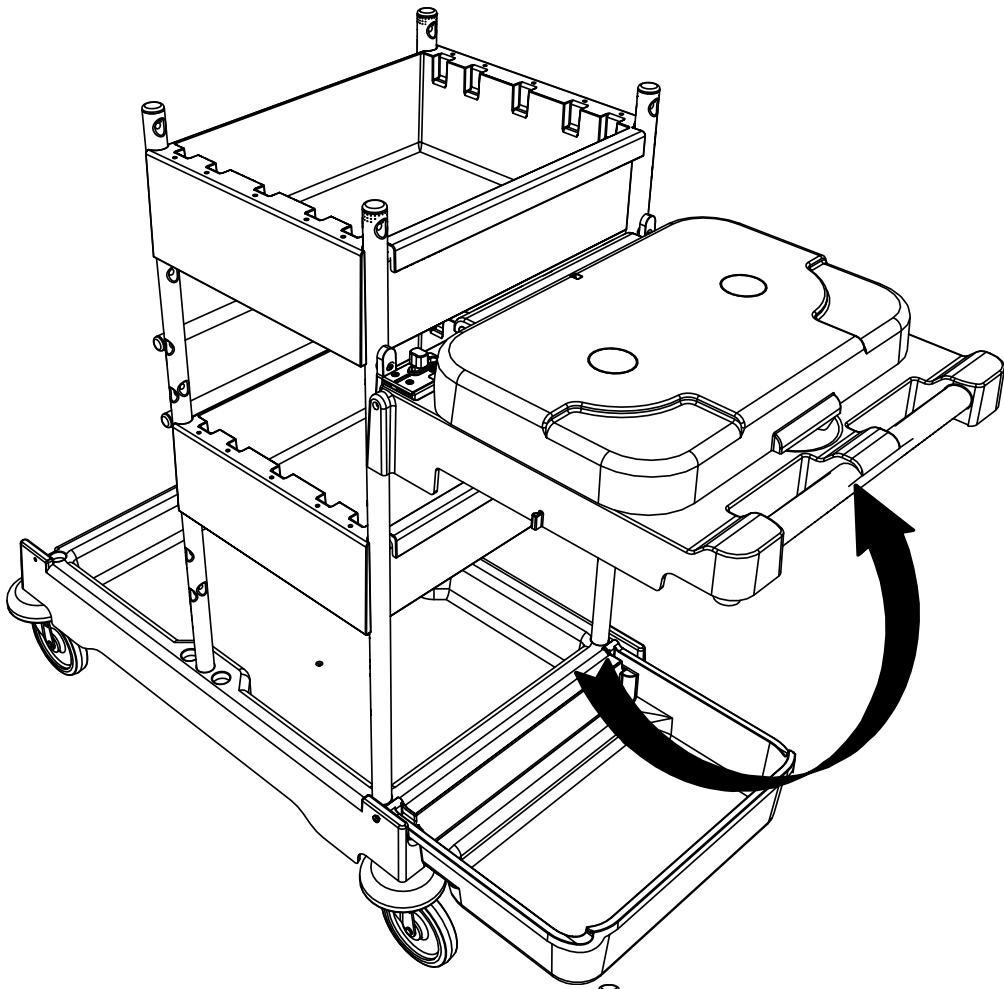
219602
NO6 X 1 INCH



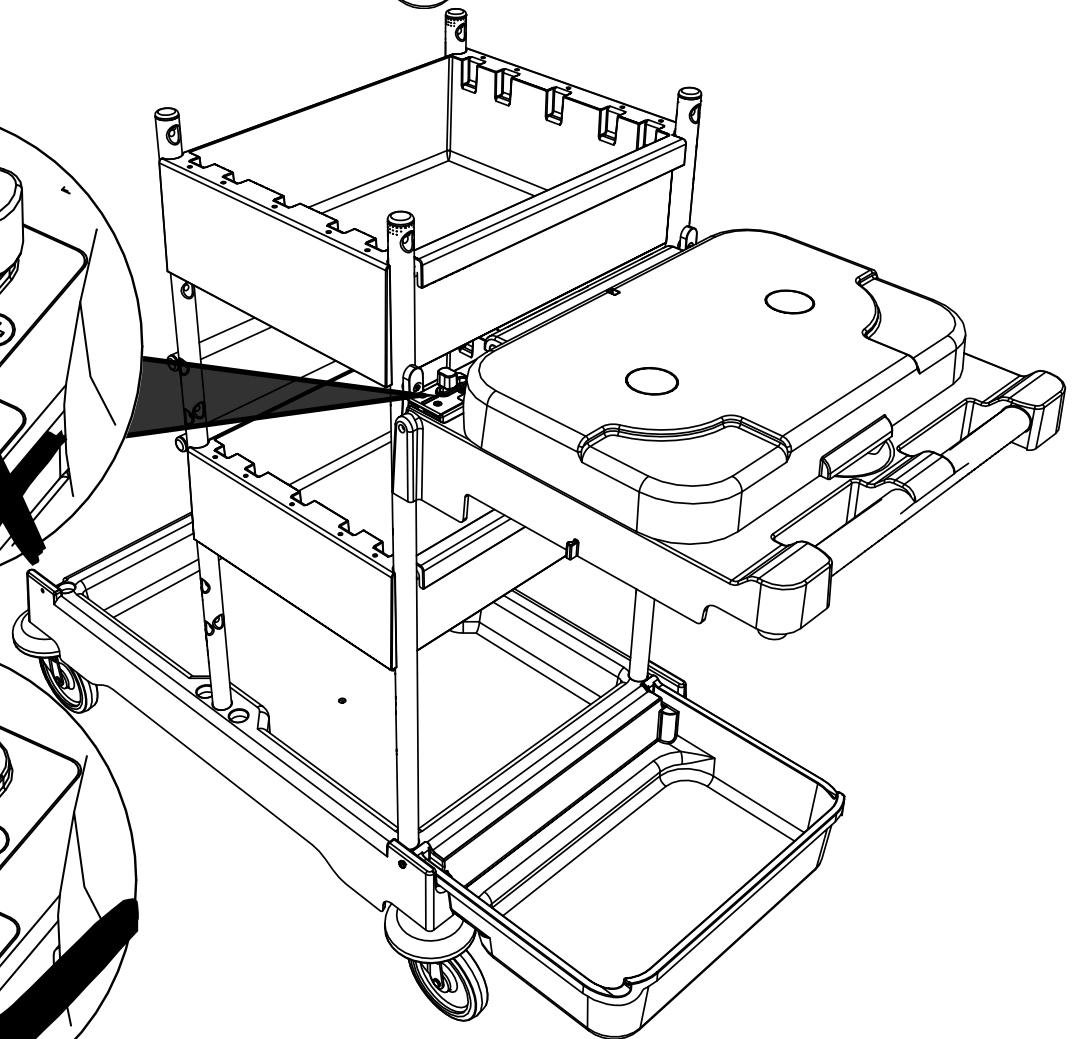
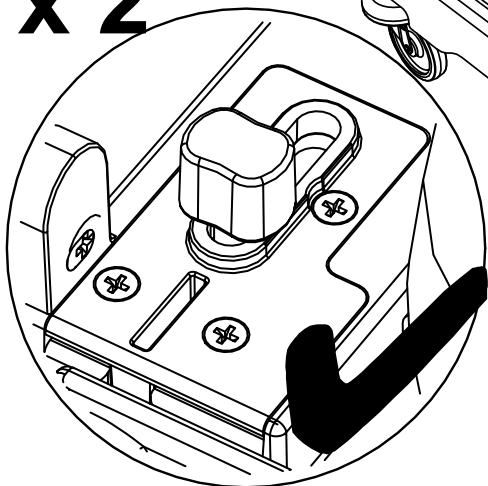
x 2

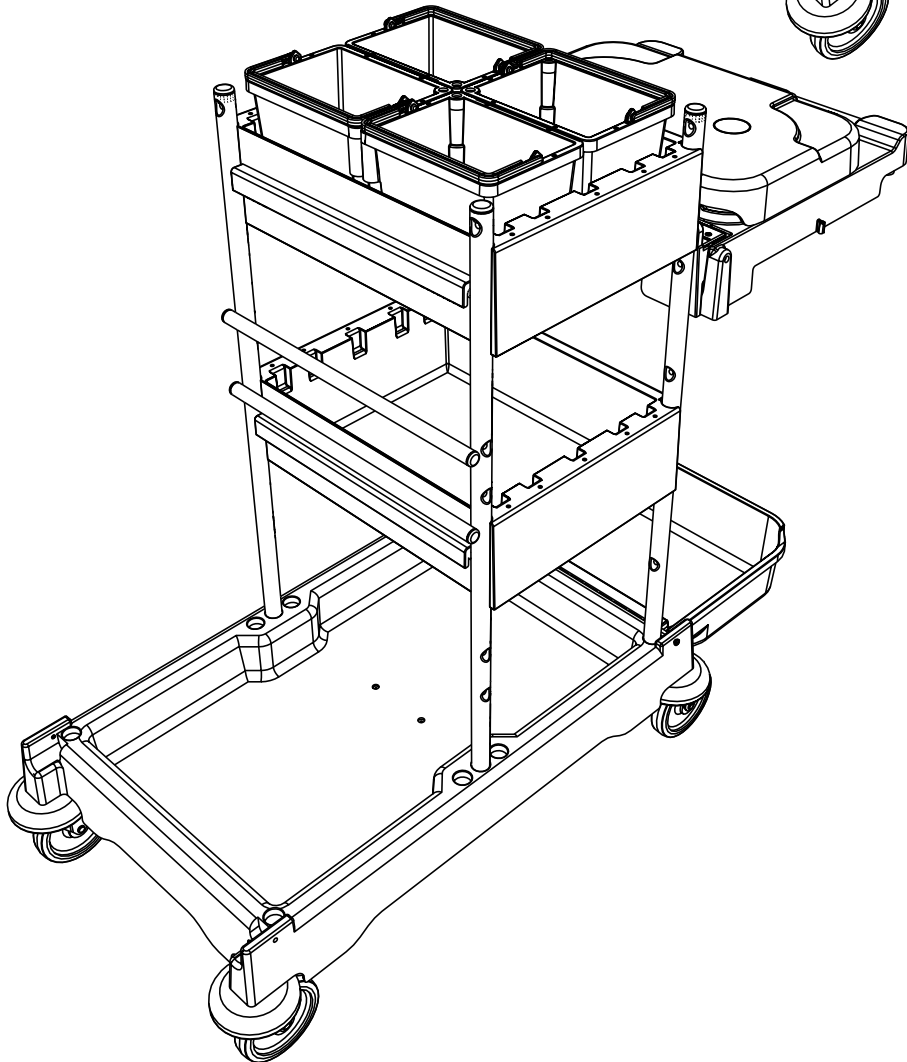
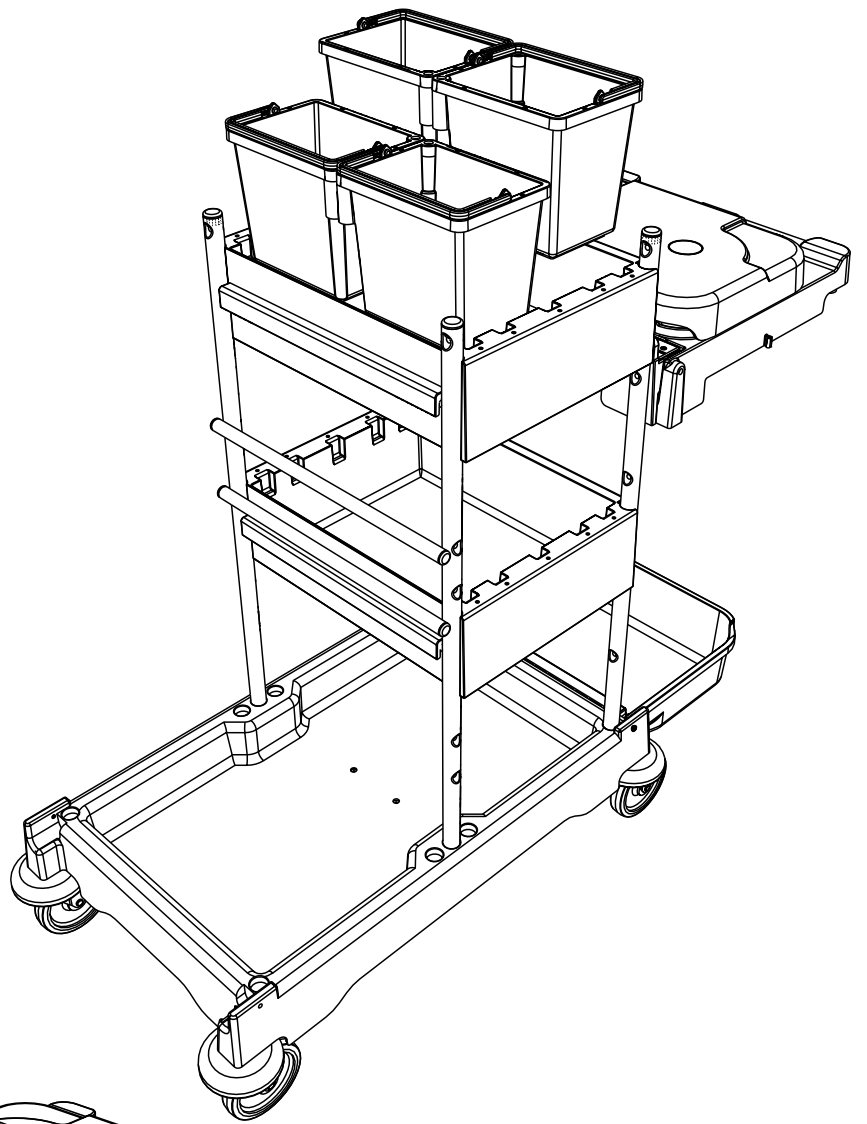




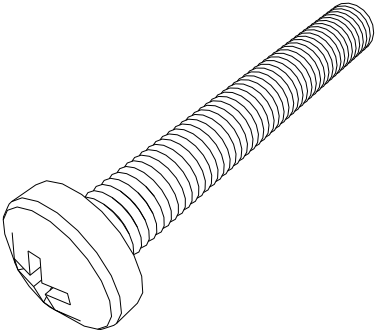


x 2

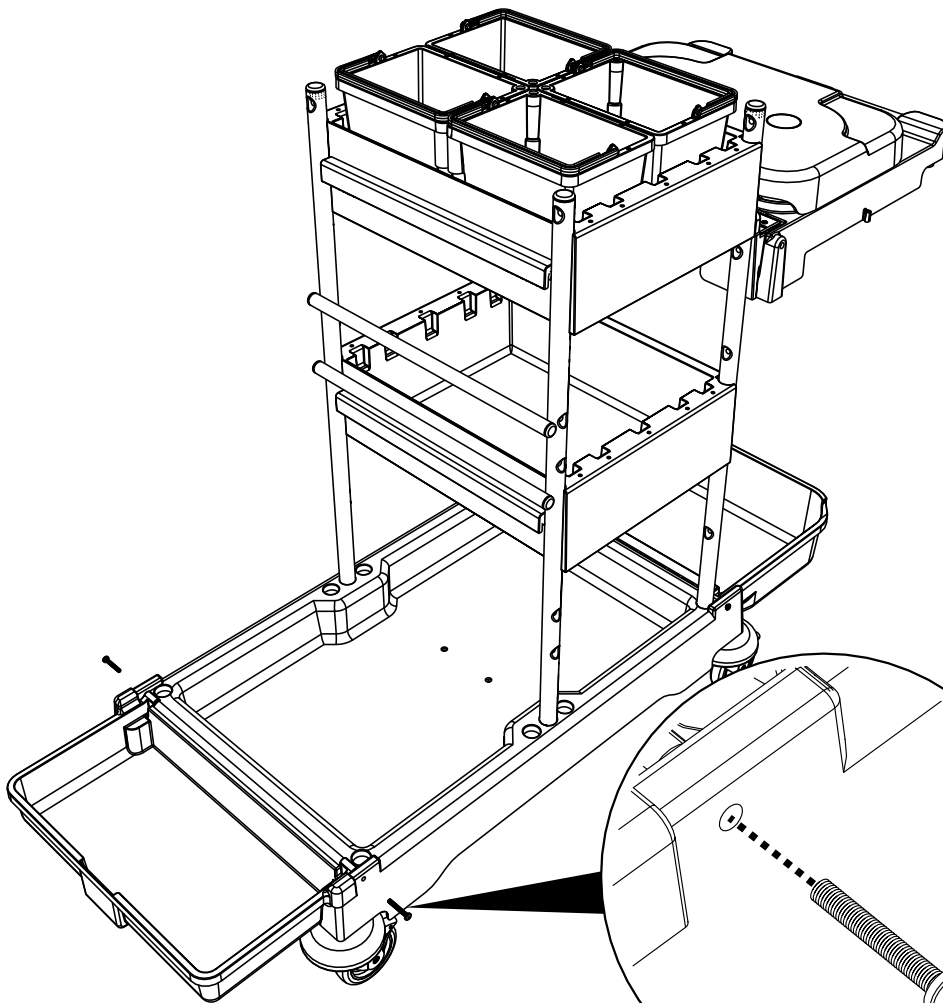
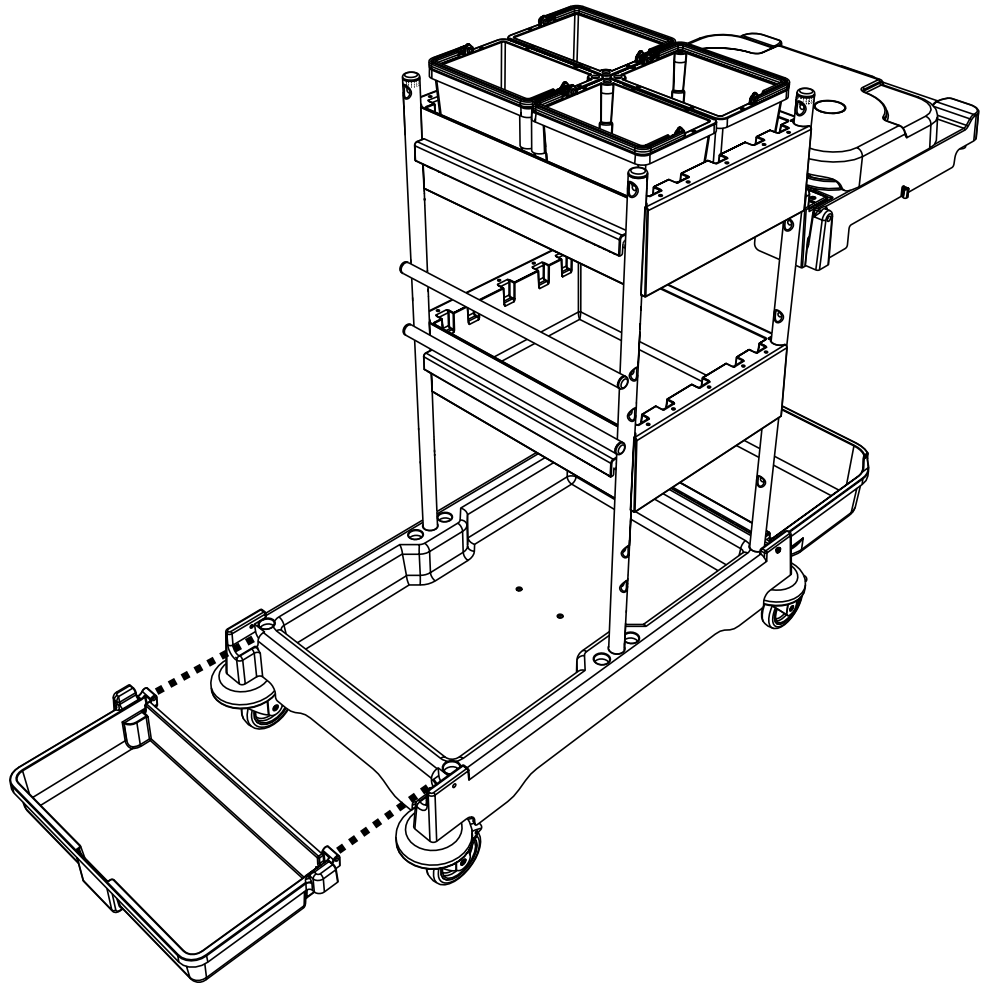




220033
M5 X 35



x 2



x 2

