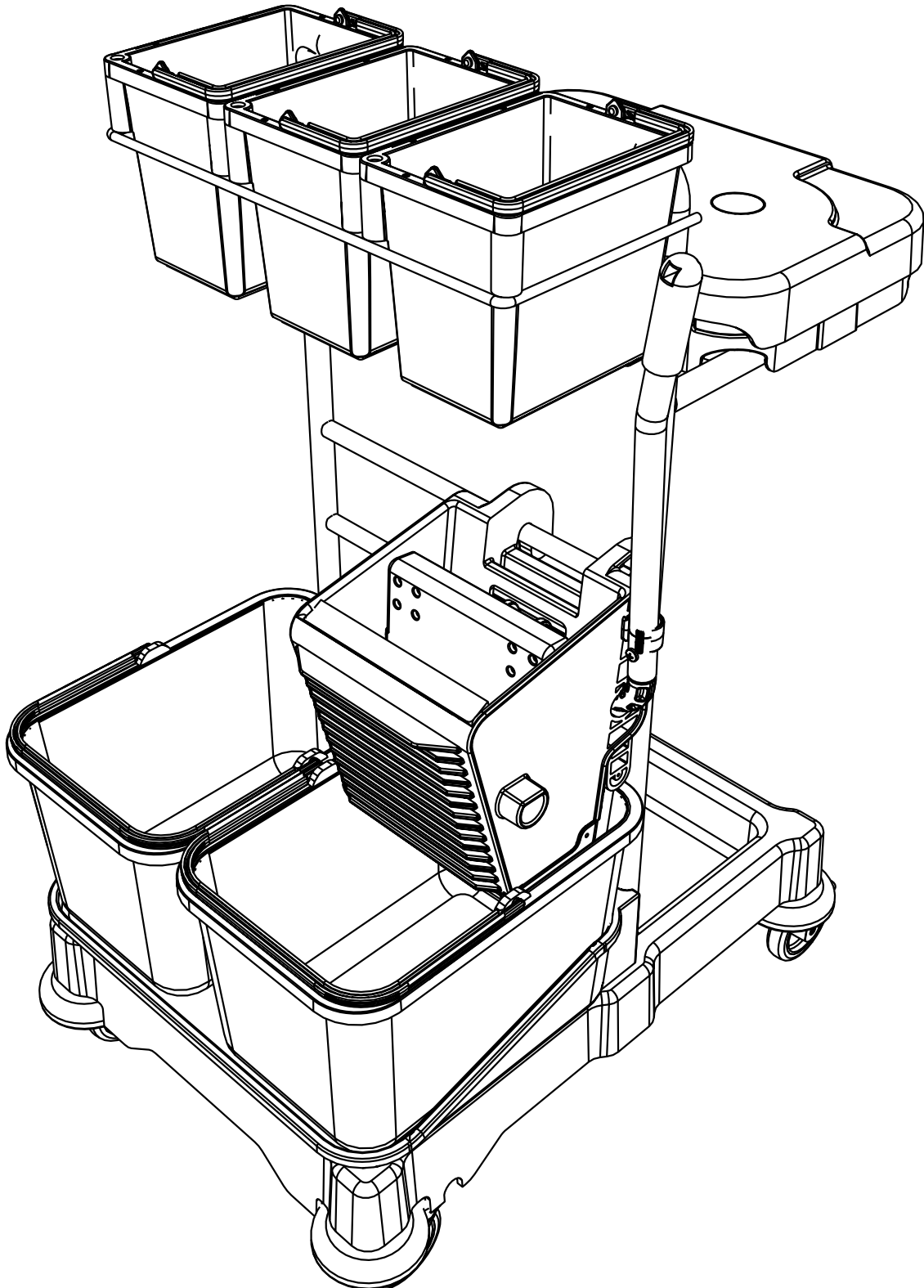
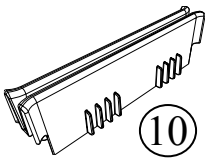


Numatic

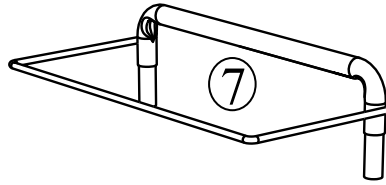
SCG1405 (ohne 2x17 L Eimer und
Presse [nur ein Beispielbild])

(C/W SBA1G)

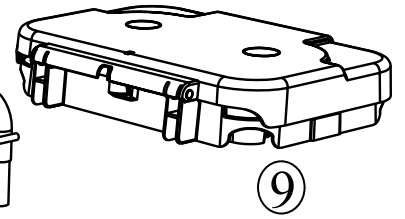




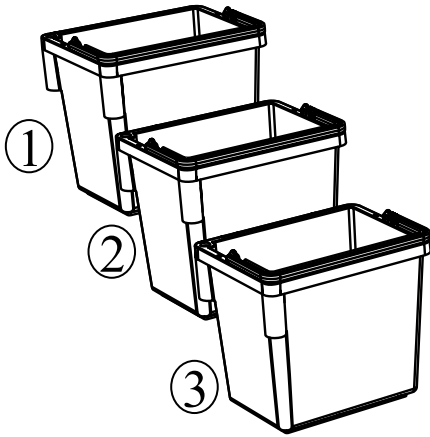
10



7



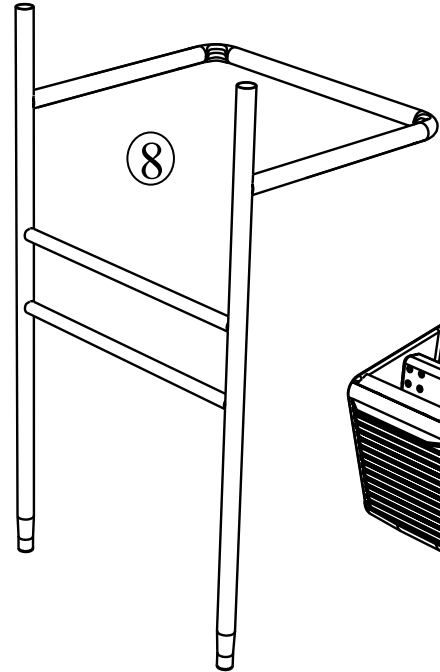
9



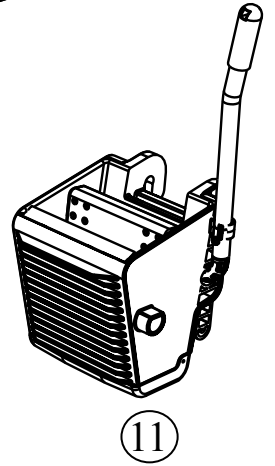
1

2

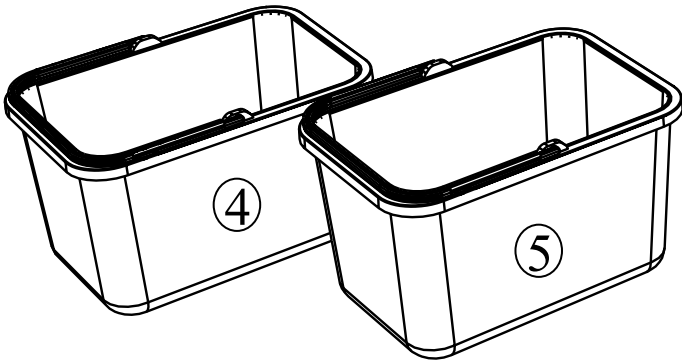
3



8

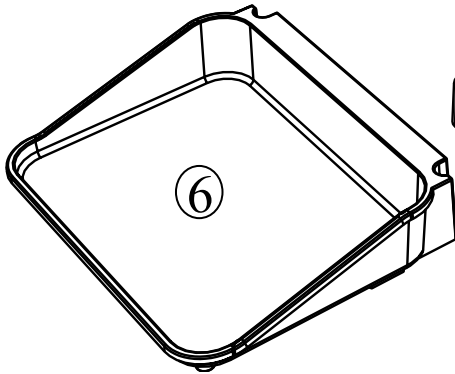


11

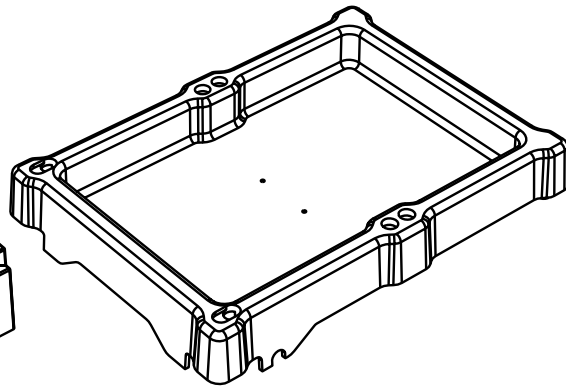


4

5



6

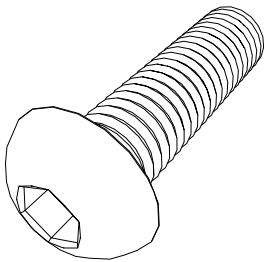


0.75HR



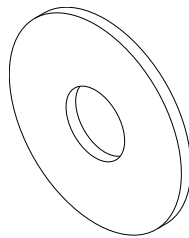
| ITEM | PART | DESCRIPTION | QTY |
|------|--------|--------------------------------|--------|
| 1 | 905225 | 5LTR PAIL (RED HANDLE) | 1 |
| 2 | 905226 | 5LTR PAIL (BLUE HANDLE) | 1 |
| 3 | 905228 | 5LTR PAIL (YELLOW HANDLE) | 1 |
| 4 | 905230 | 17LTR BUCKET (BLUE HAMDLE) | 1 |
| 5 | 905229 | 17LTR BUCKET (RED HANDLE) | 1 |
| 6 | 223613 | BUCKET TRAY | 1 |
| 7 | 338655 | 5LTR PAIL EXTENSION FRAME | 1 |
| 8 | 906042 | UPRIGHT FRAME | 1 |
| 9 | 339649 | 3 PIECE LIDSET | 1 |
| 10 | 223618 | BAG FRAME INSERT MOULDING | 1 |
| 11 | 906040 | VERTICAL MOP PRESS | 1 |
| 12 | 901485 | MINI BASE | 1 |
| — | 629445 | 120LTR REPLACEMENT WASTE SACKS | 1 X 10 |
| — | 629444 | 70LTR REPLACEMENT WASTE SACKS | 1 X10 |

219555
M8 X 25



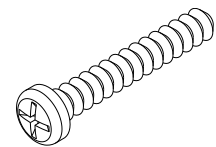
x 2

221154
M8



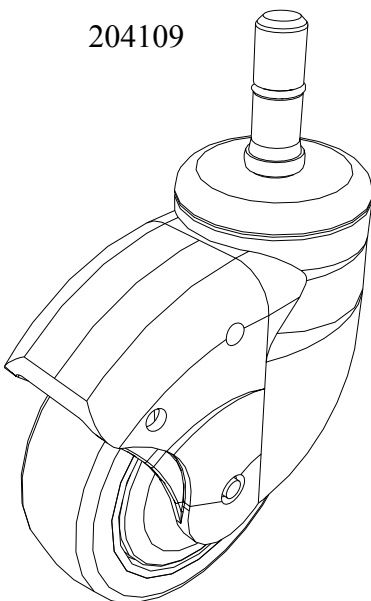
x 2

219602
No6 x 1inch



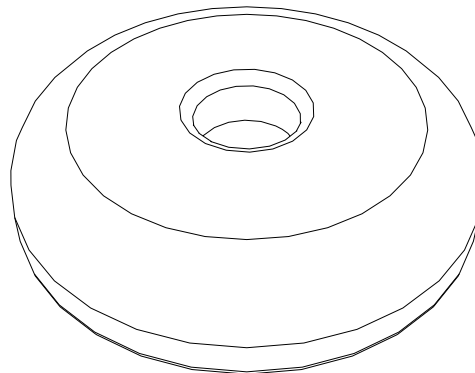
x 2

204109



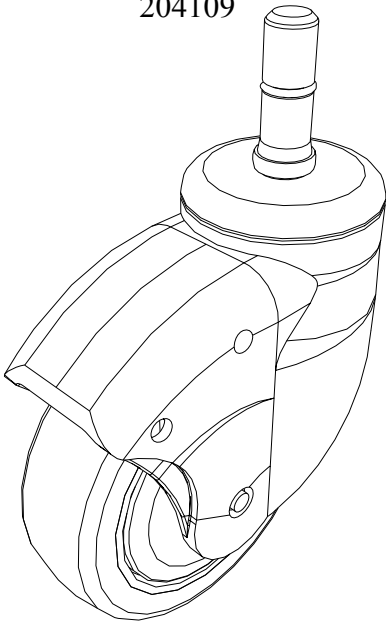
x 4

227479



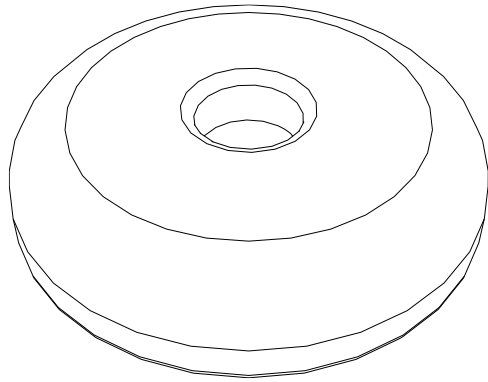
x 4

204109

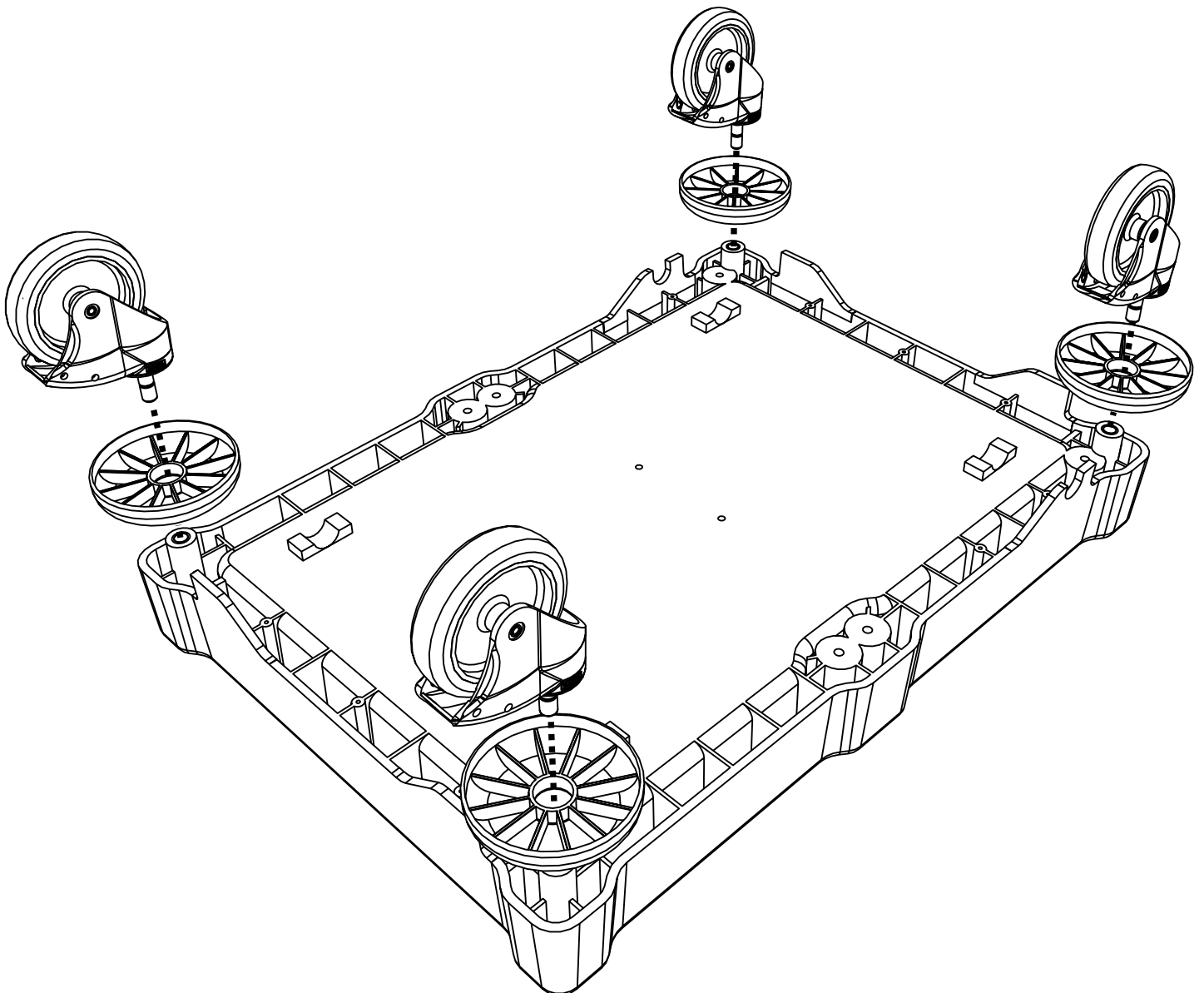


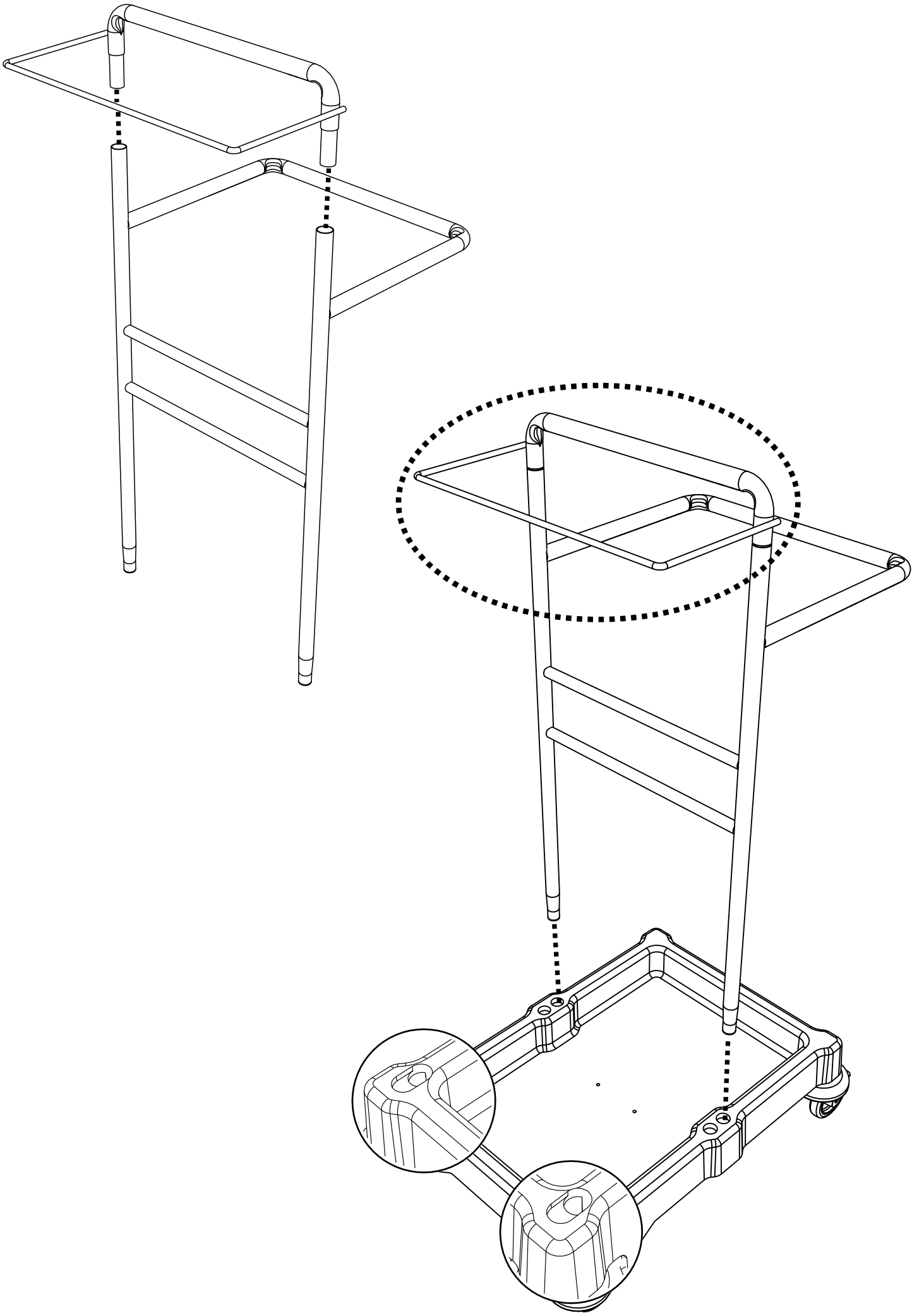
x 4

227479



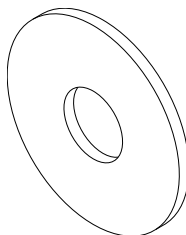
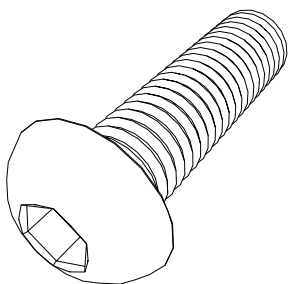
x 4





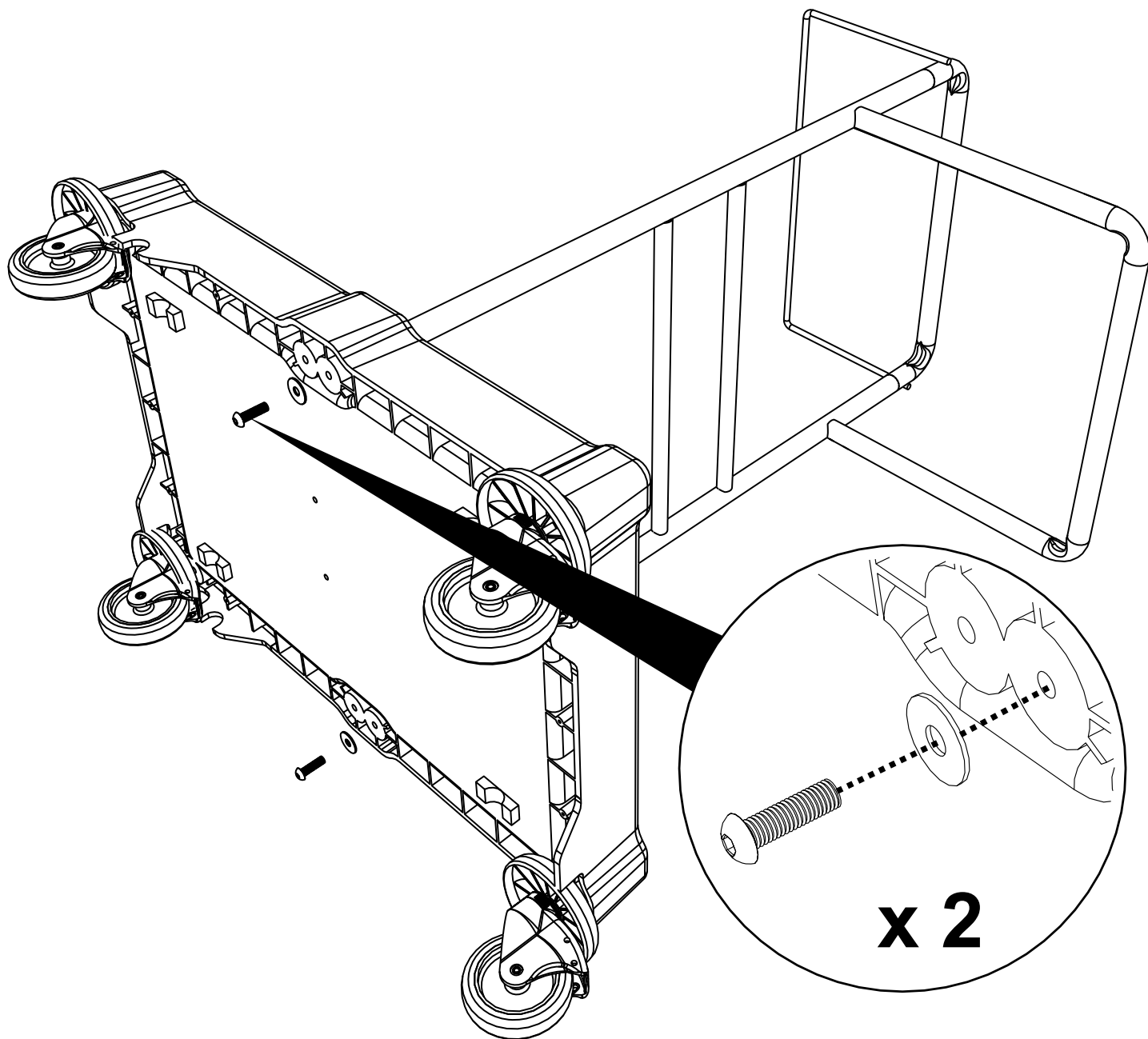
219555
M8 X 25

221154
M8

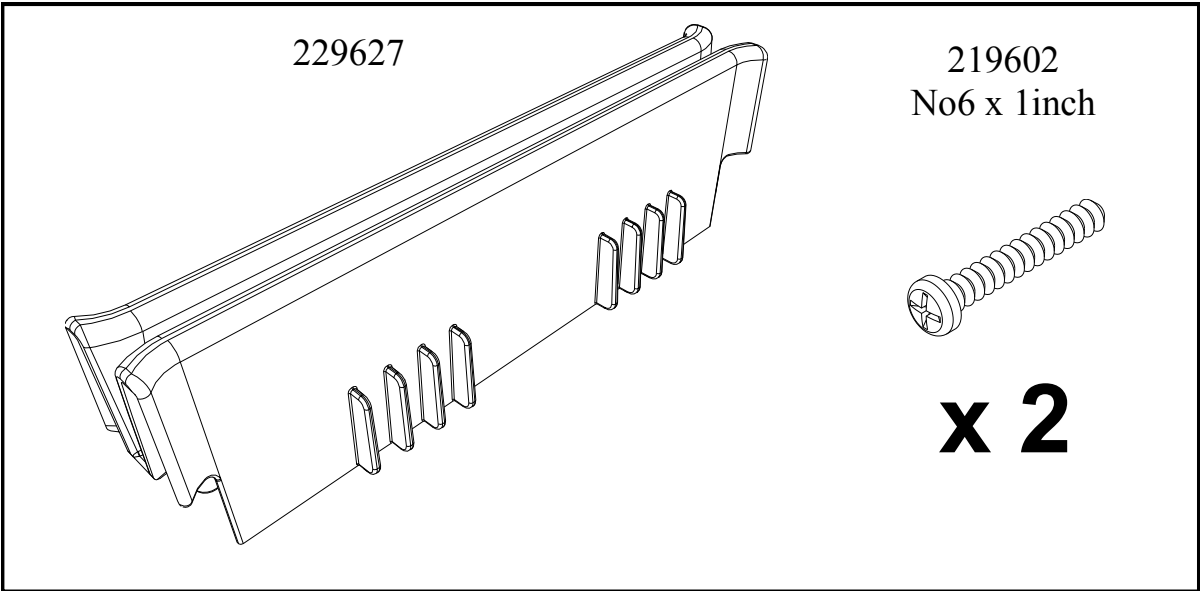


x 2

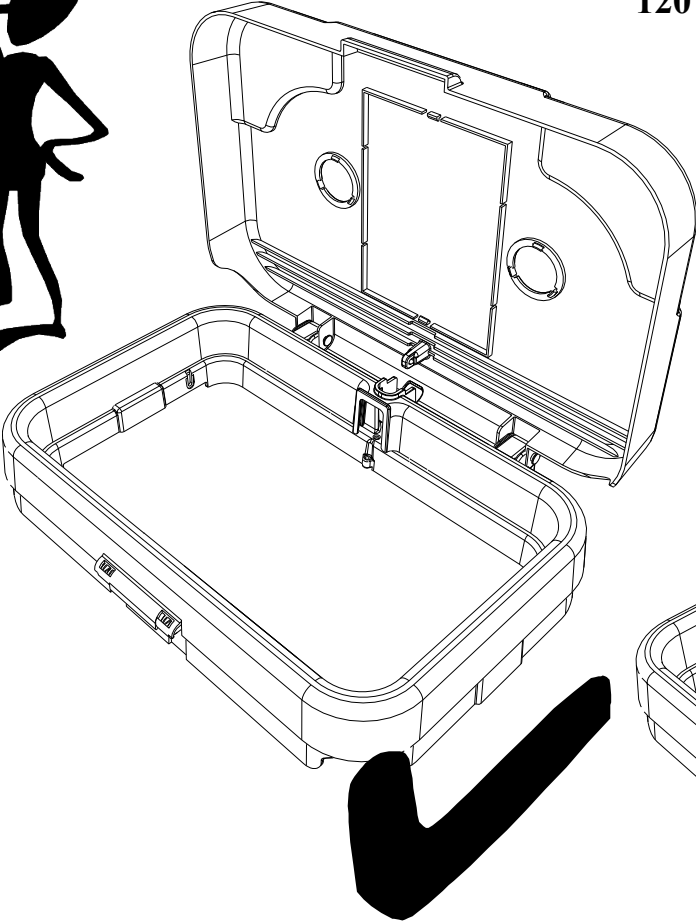
x 2



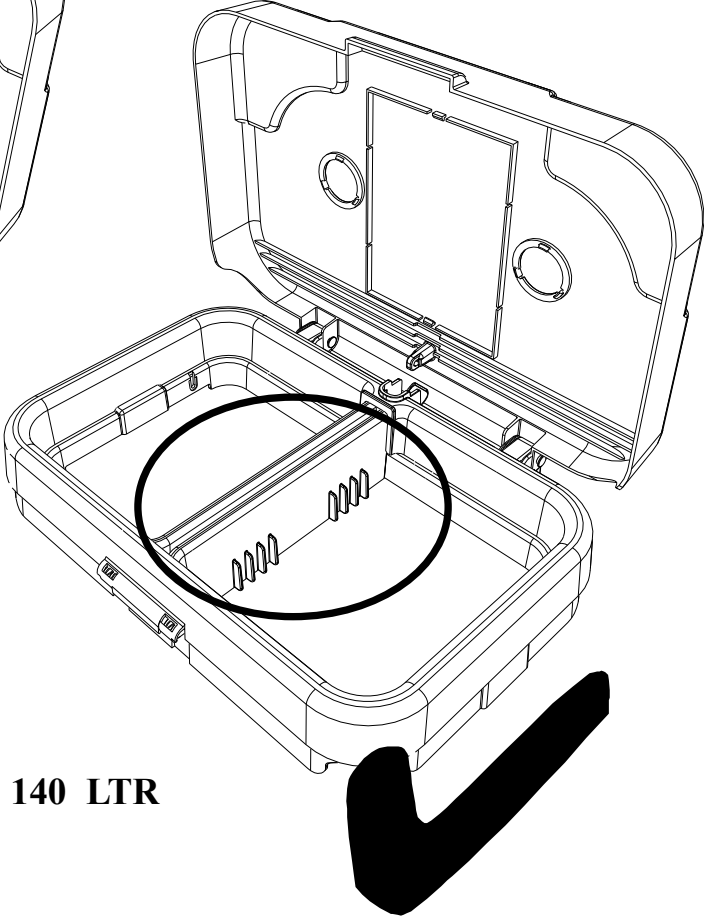
x 2

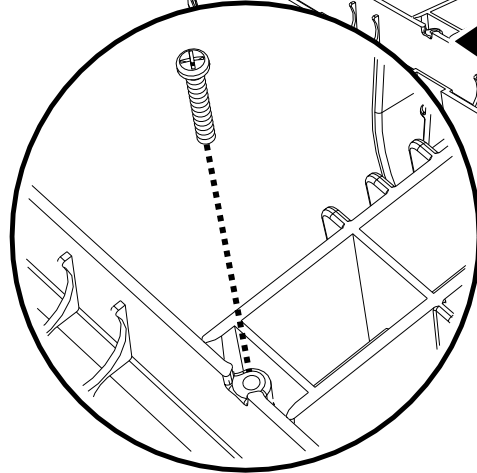
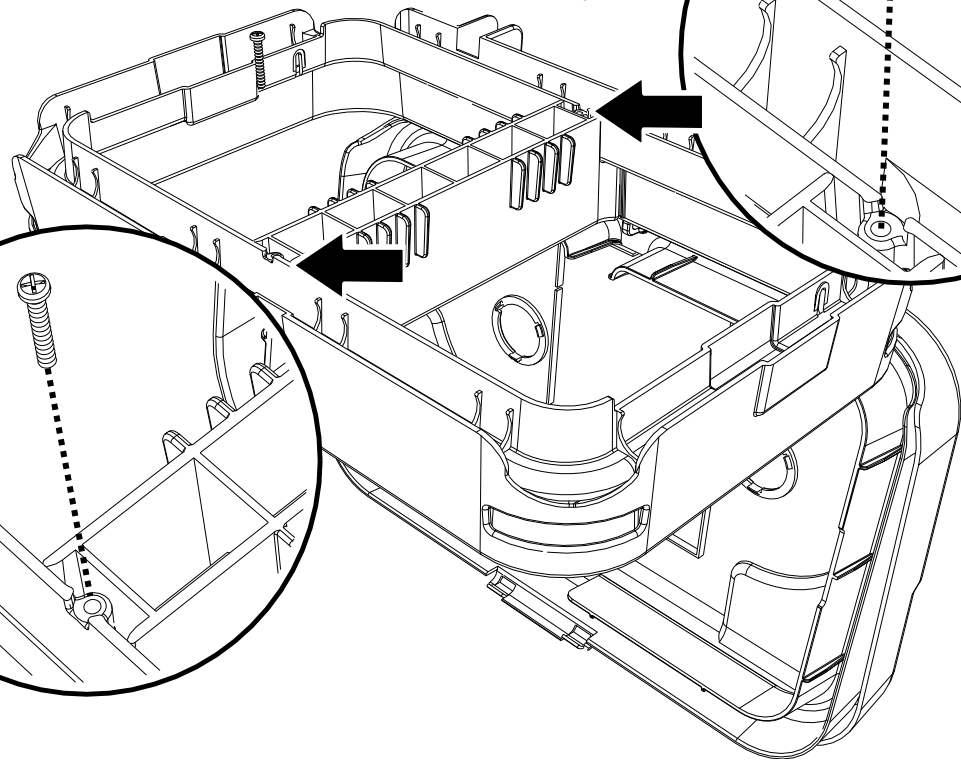
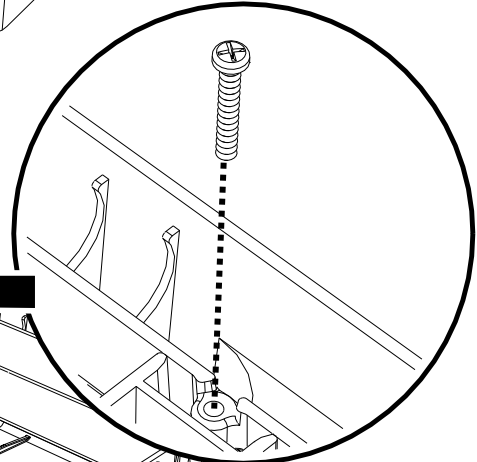
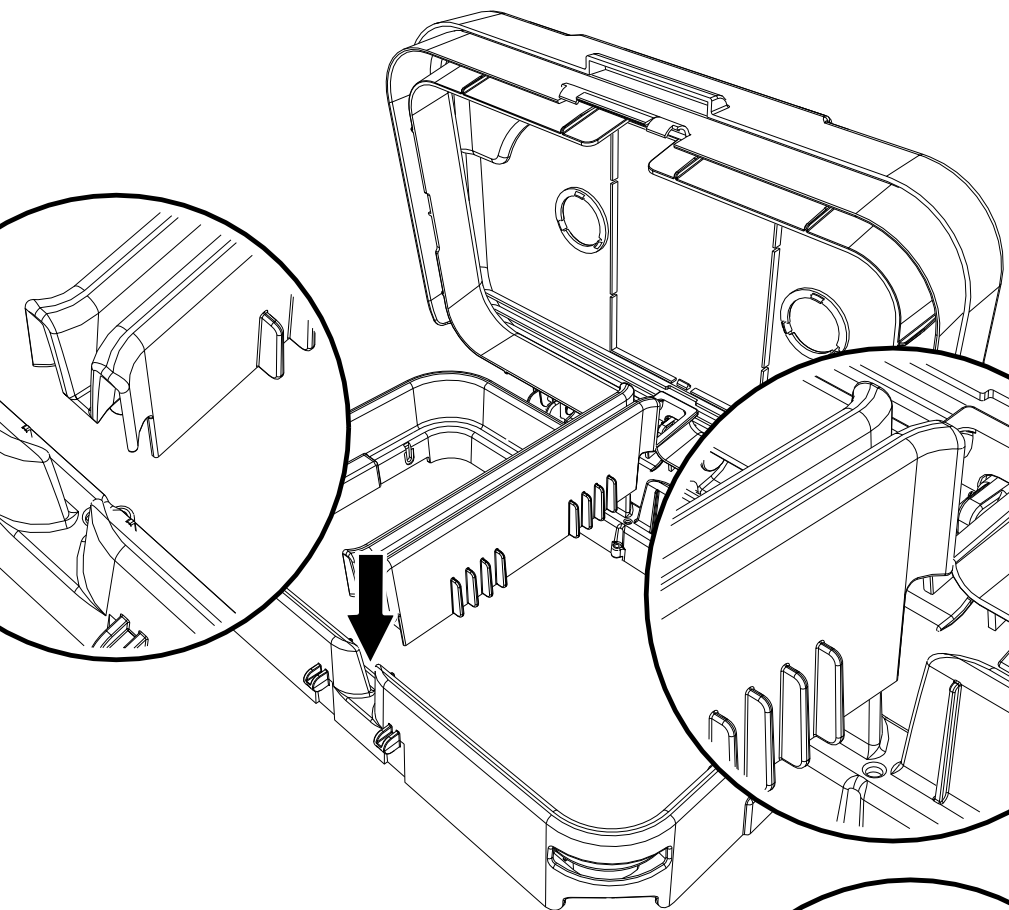
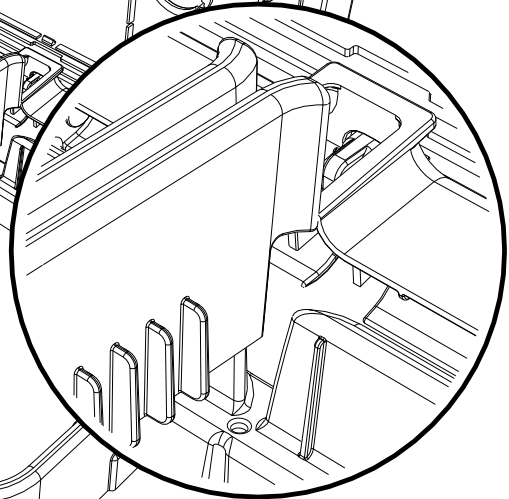
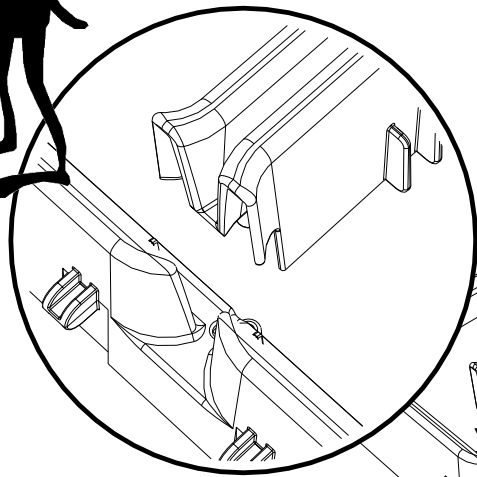


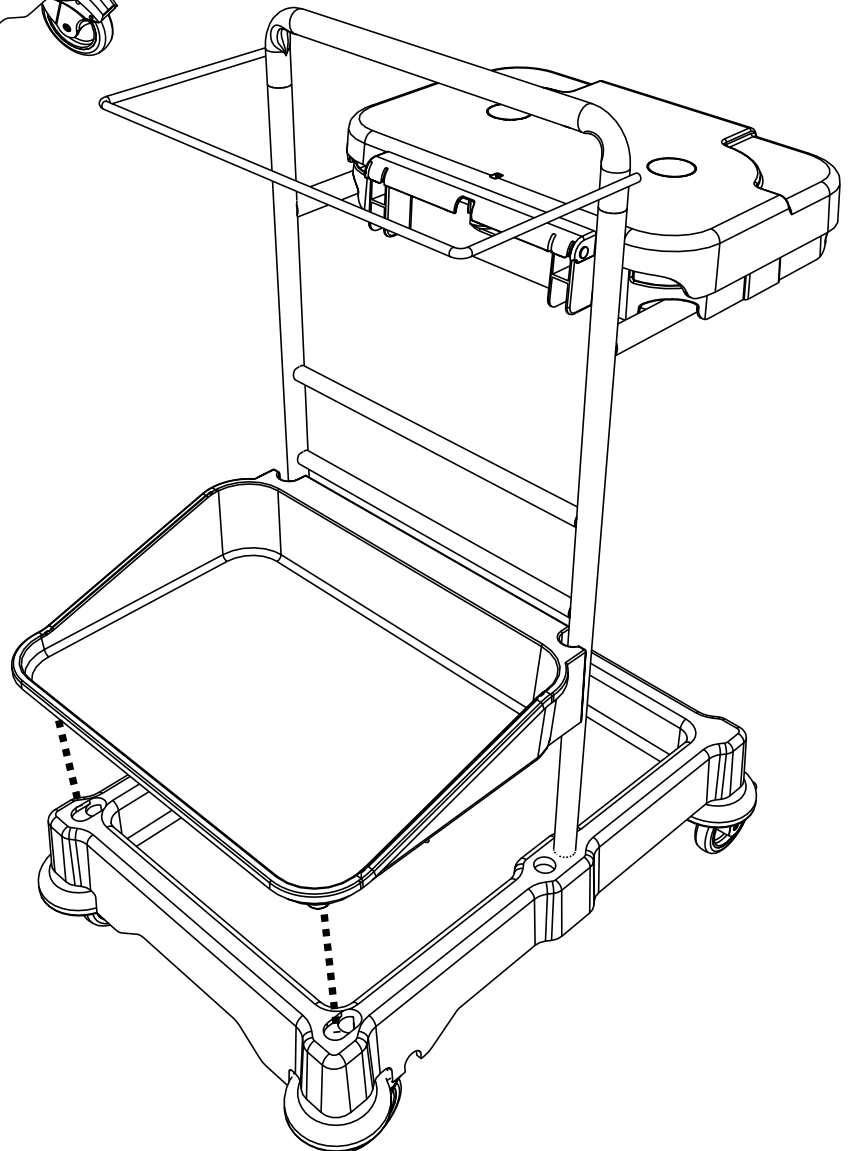
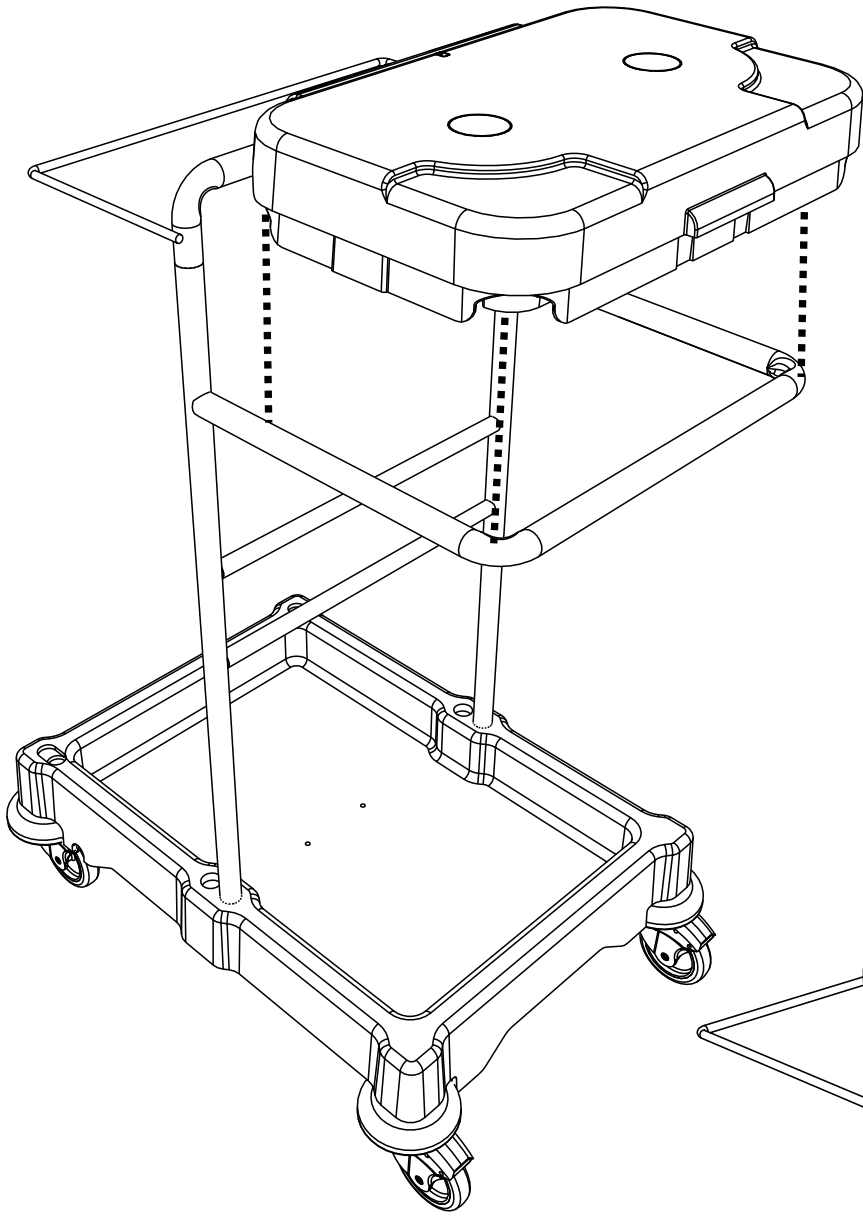
120 LTR

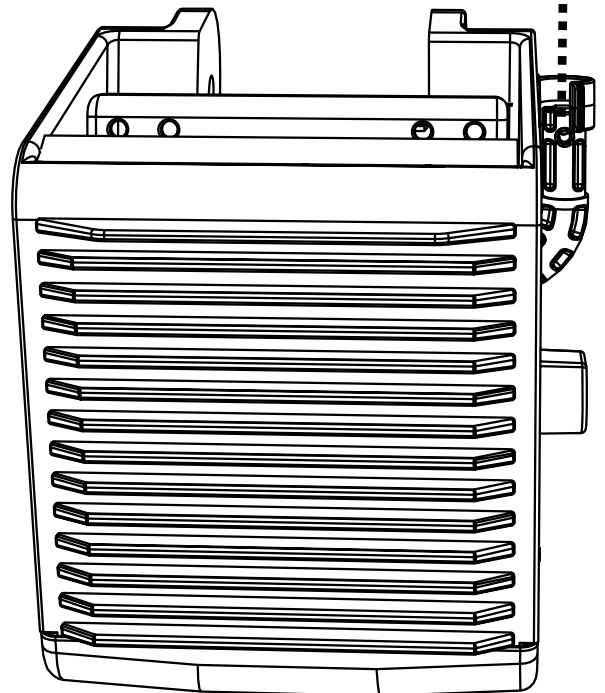
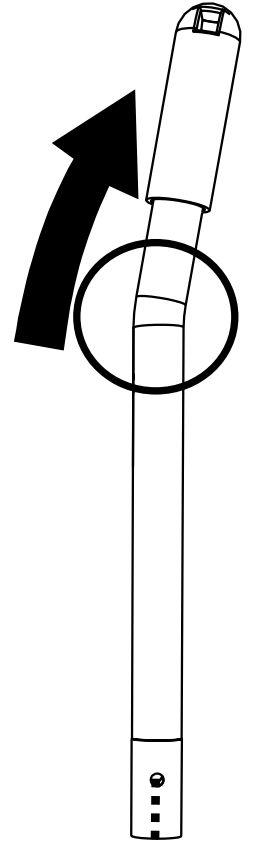
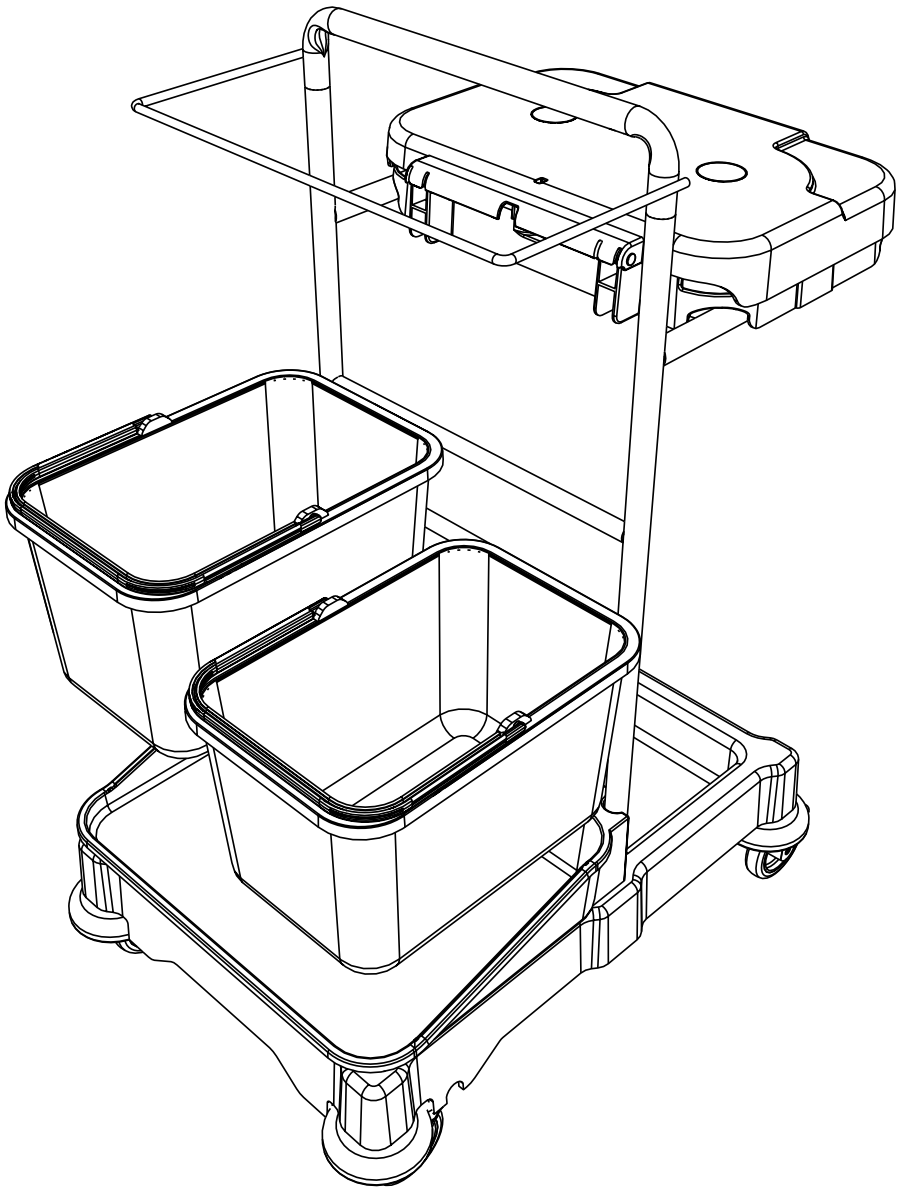


140 LTR

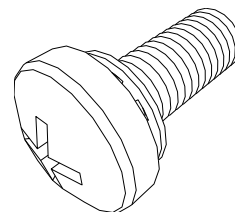








219657
No6 X 3/8



x 1

