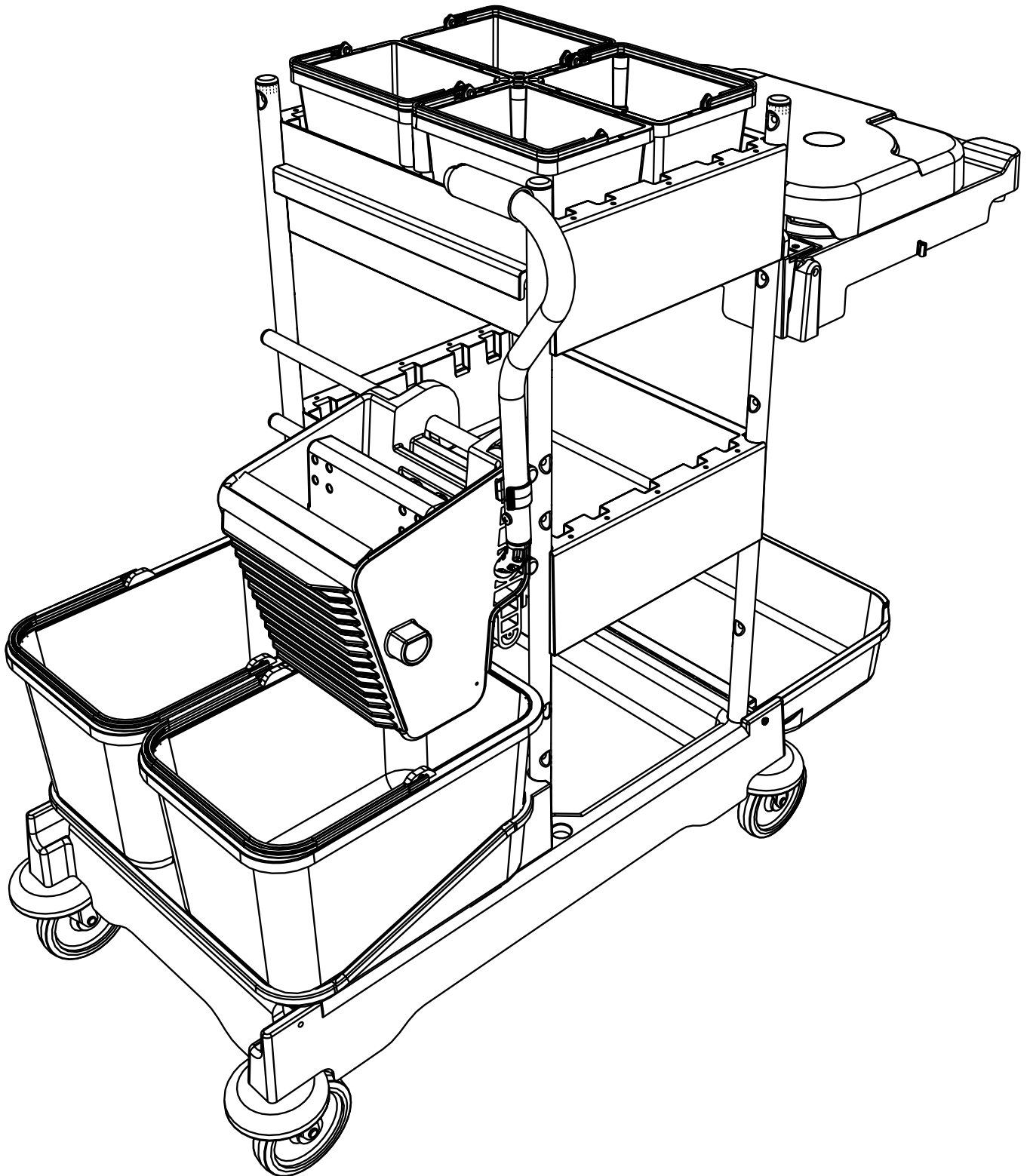
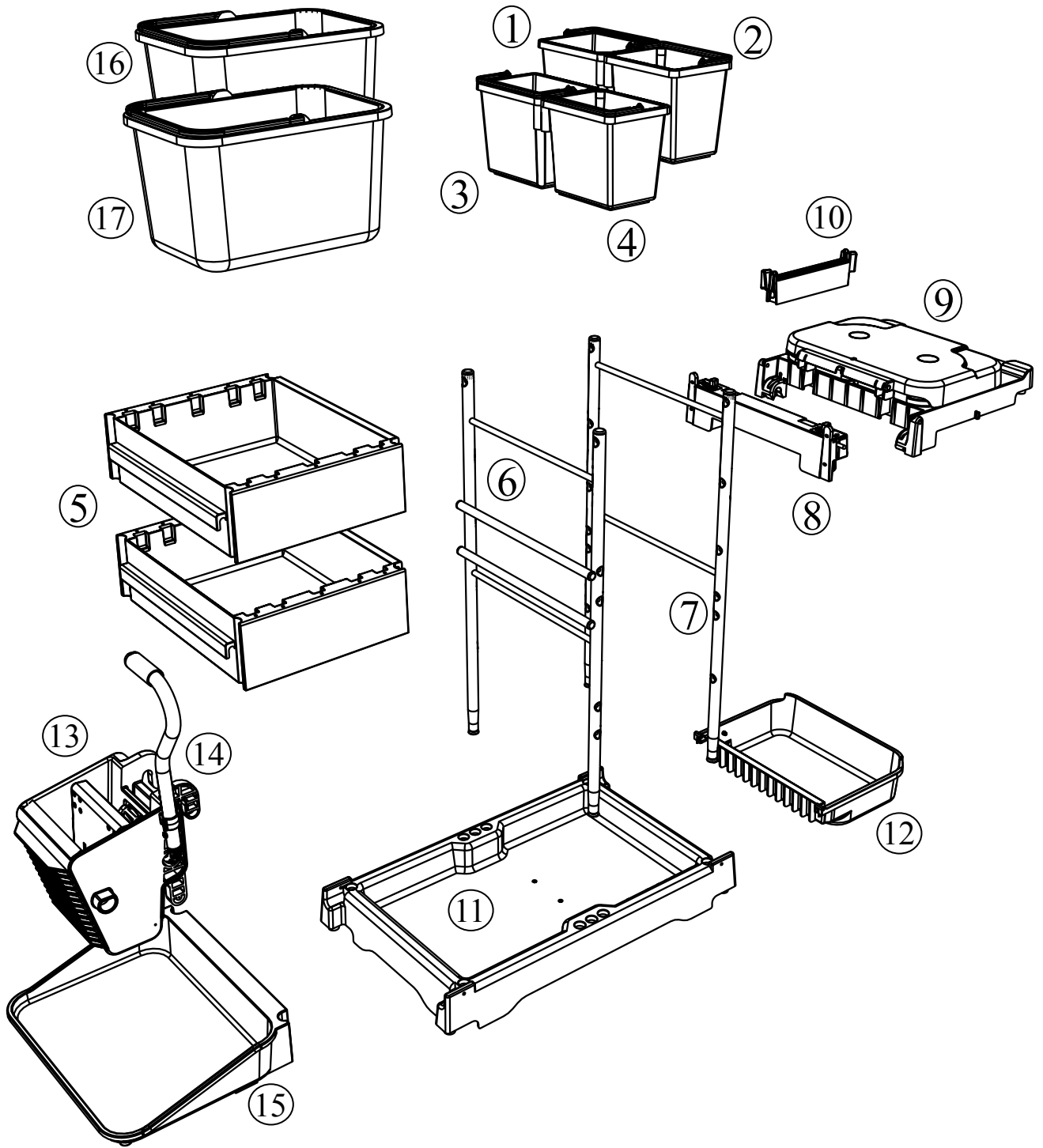


Numatic

SCG 1705

C/W SBA 1G



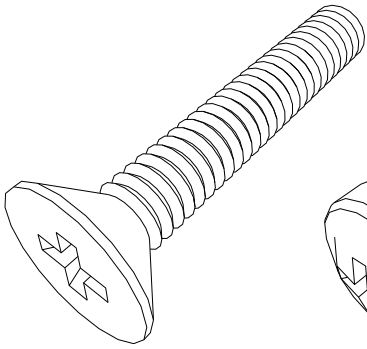


0.50 HR

This section contains icons for a lightbulb, a clock, and a person silhouette, along with a ruler and a screwdriver. The text "0.50 HR" indicates the estimated assembly time.

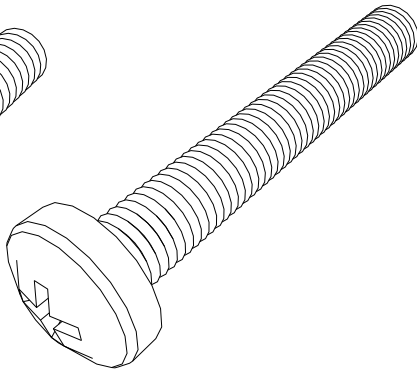
ITEM	PART	DESCRIPTION	QTY
1	905226	5LTR SWING PAIL BLUE HANDLE	1
2	905225	5LTR SWING PAIL RED HANDLE	1
3	905227	5LTR SWING PAIL GREEN HANDLE	1
4	905228	5LTR SWING PAIL YELLOW HANDLE	1
5	223614	CLIP ON TRAY PLAIN	2
6	903988	FRONT UPRIGHT	1
7	903995	REAR UPRIGHT	1
8	904270	BAG SUPPORT FRAME MOUNT ASSEMBLY	1
9	904268	BAG FRAME/LID ASSEMBLY	1
10	223618	BAG FRAME INSERT	1
11	328154	BASE	1
12	223616	BAG SUPPORT TRAY	1
13	518184	ALLMOPS PRESS (FRONT DIVERTER)	1
14	338839	ALLMOPS PRESS HANDLE	1
15	223613	BUCKET TRAY MOULDING	1
16	905229	17LTR BUCKET RED HANDLE	1
17	905230	17LTR BUCKET BLUE HANDLE	1
—	629445	REPLACEMENT 120 LTR WASTE SACKS	1 x10
—	629444	REPLACEMENT 70 LTR WASTE SACKS	1 x 10

904520
M5 X 30



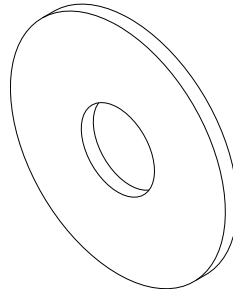
x 4

220033
M5 X 35



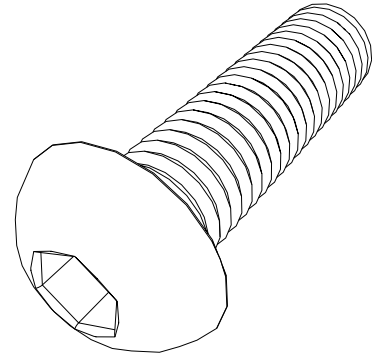
x 2

221154
M8



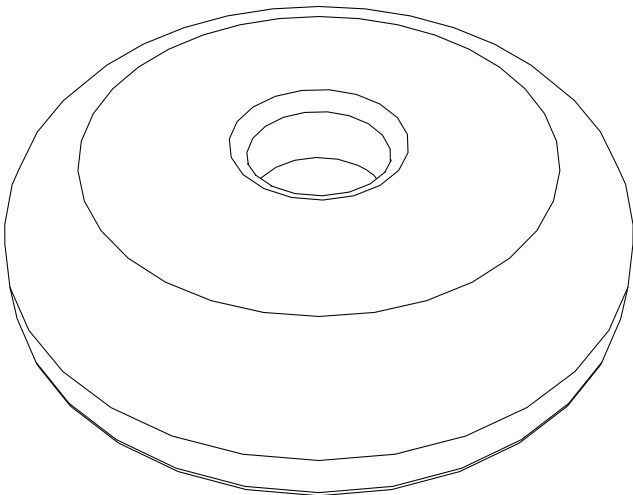
x 4

219555
M8 X 25



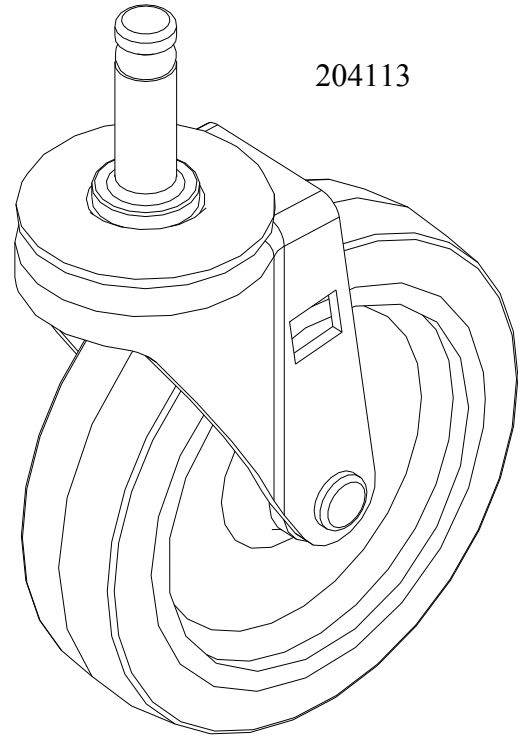
x 4

227479



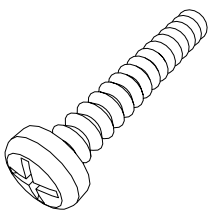
x 4

204113



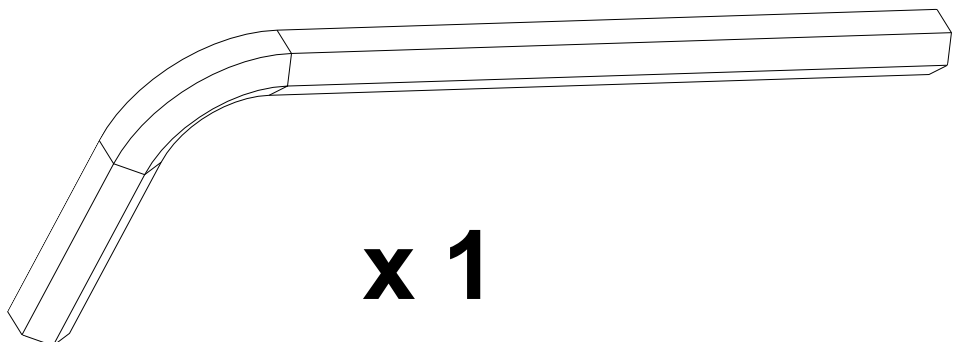
x 4

219602
NO6 X 1 INCH

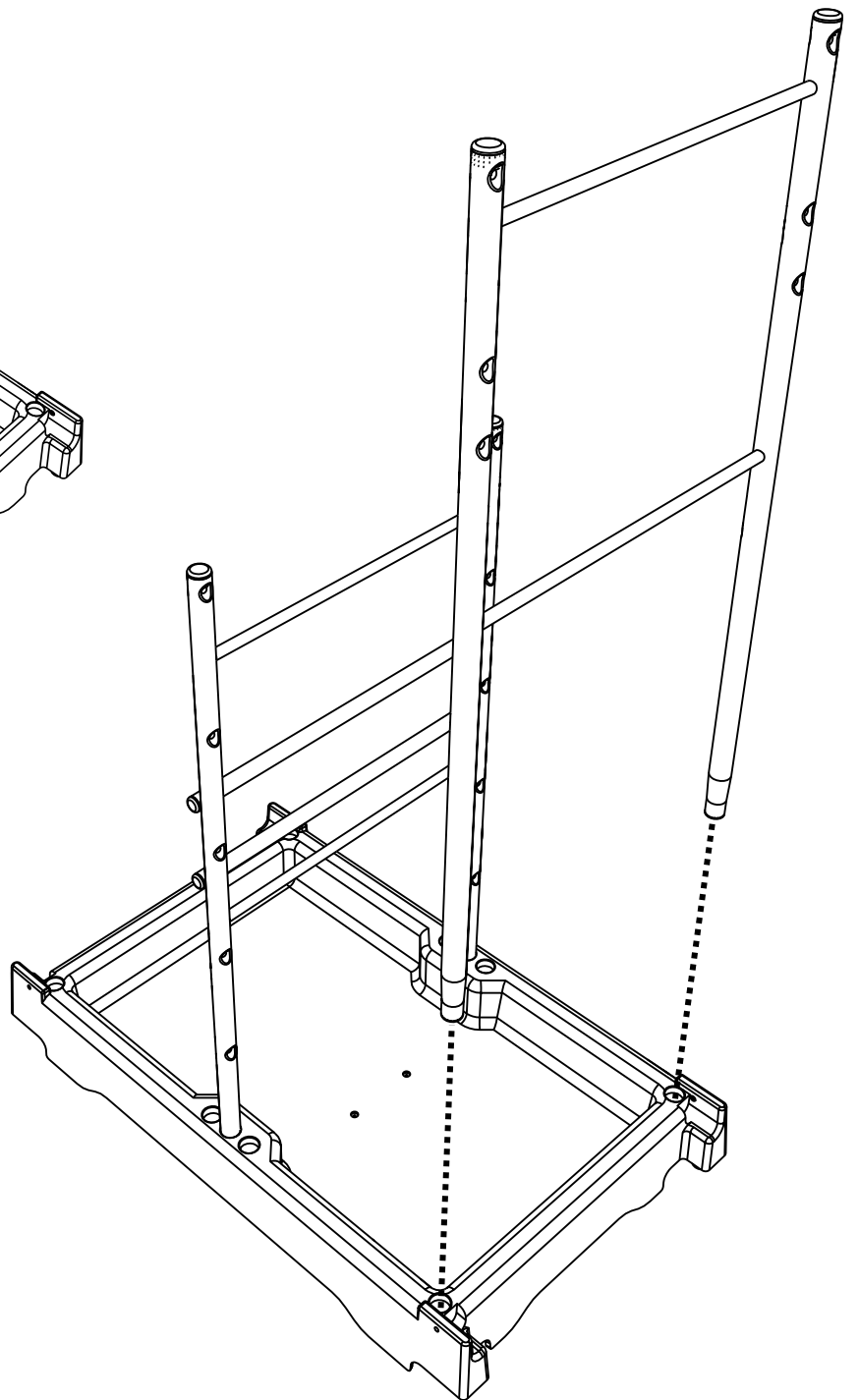
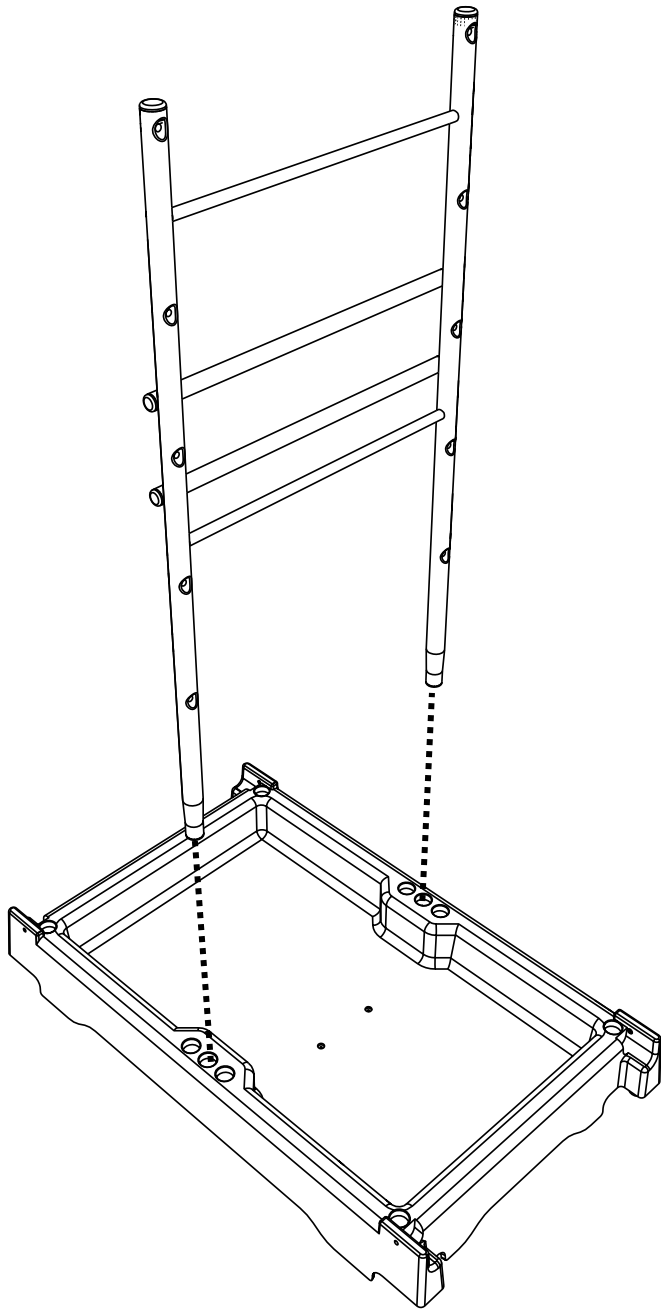


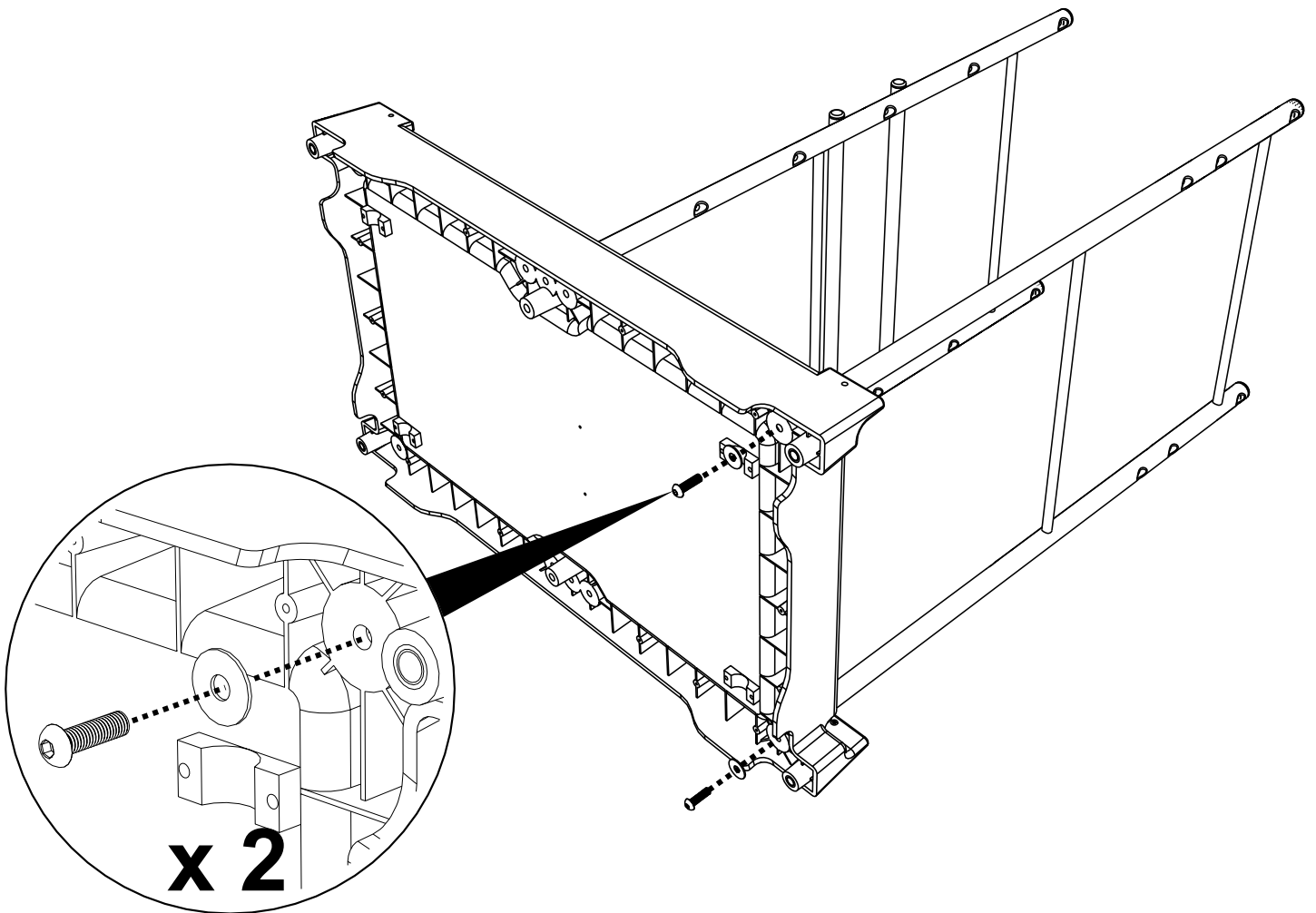
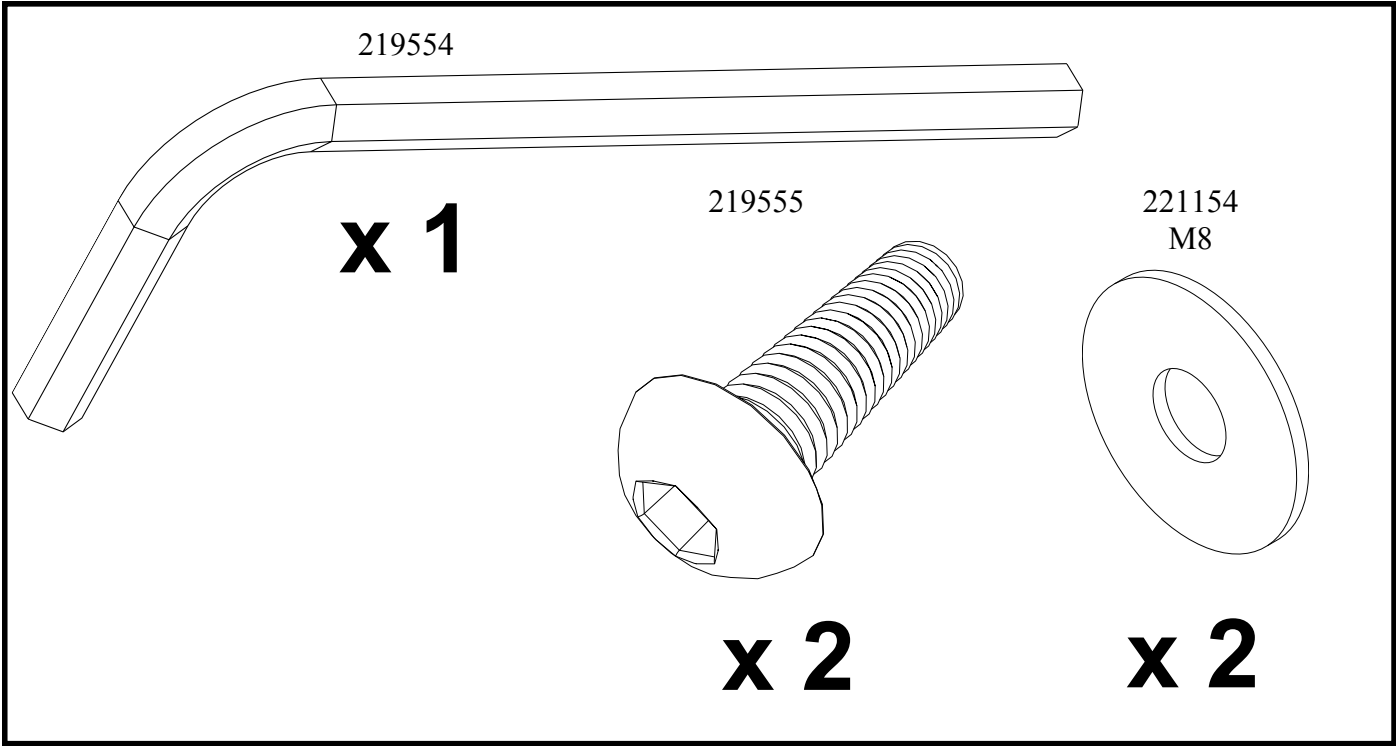
x 2

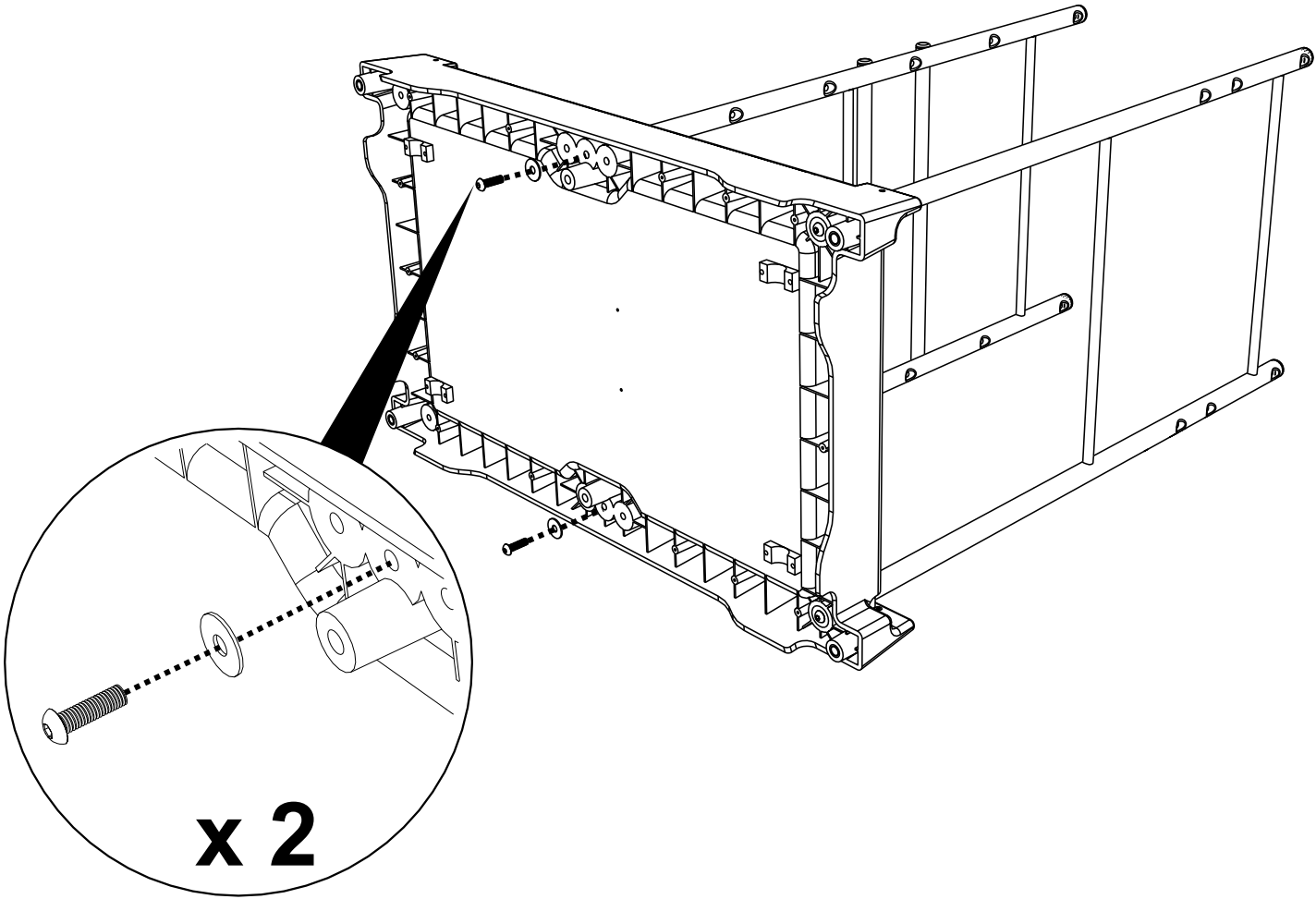
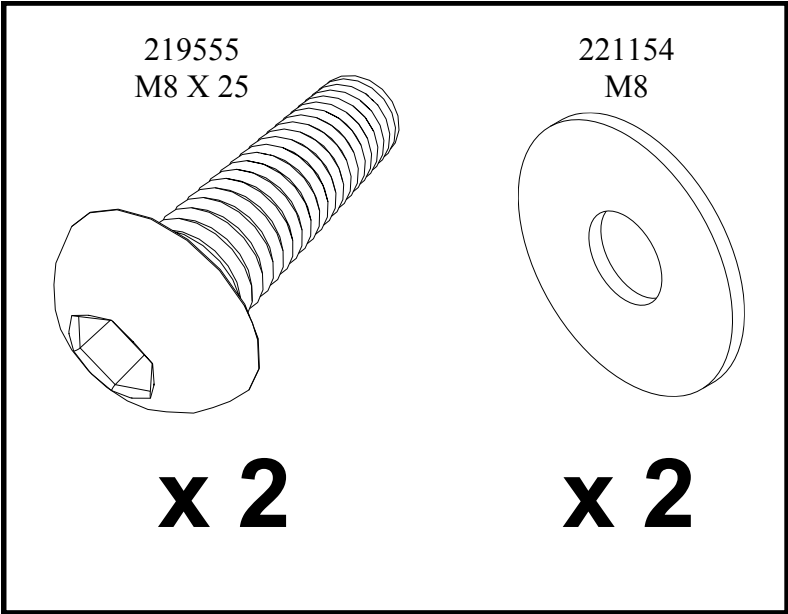
219554



x 1

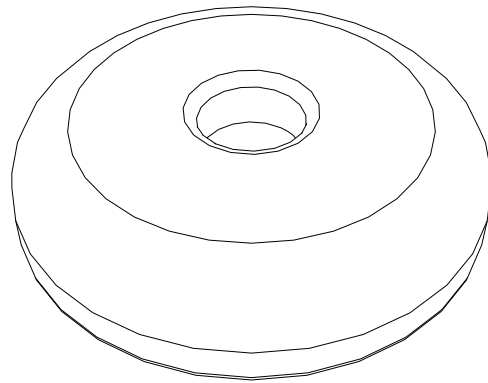
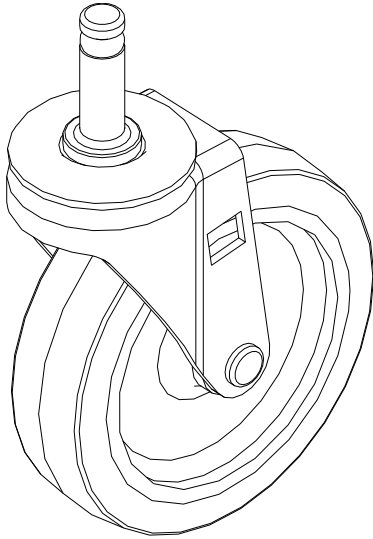






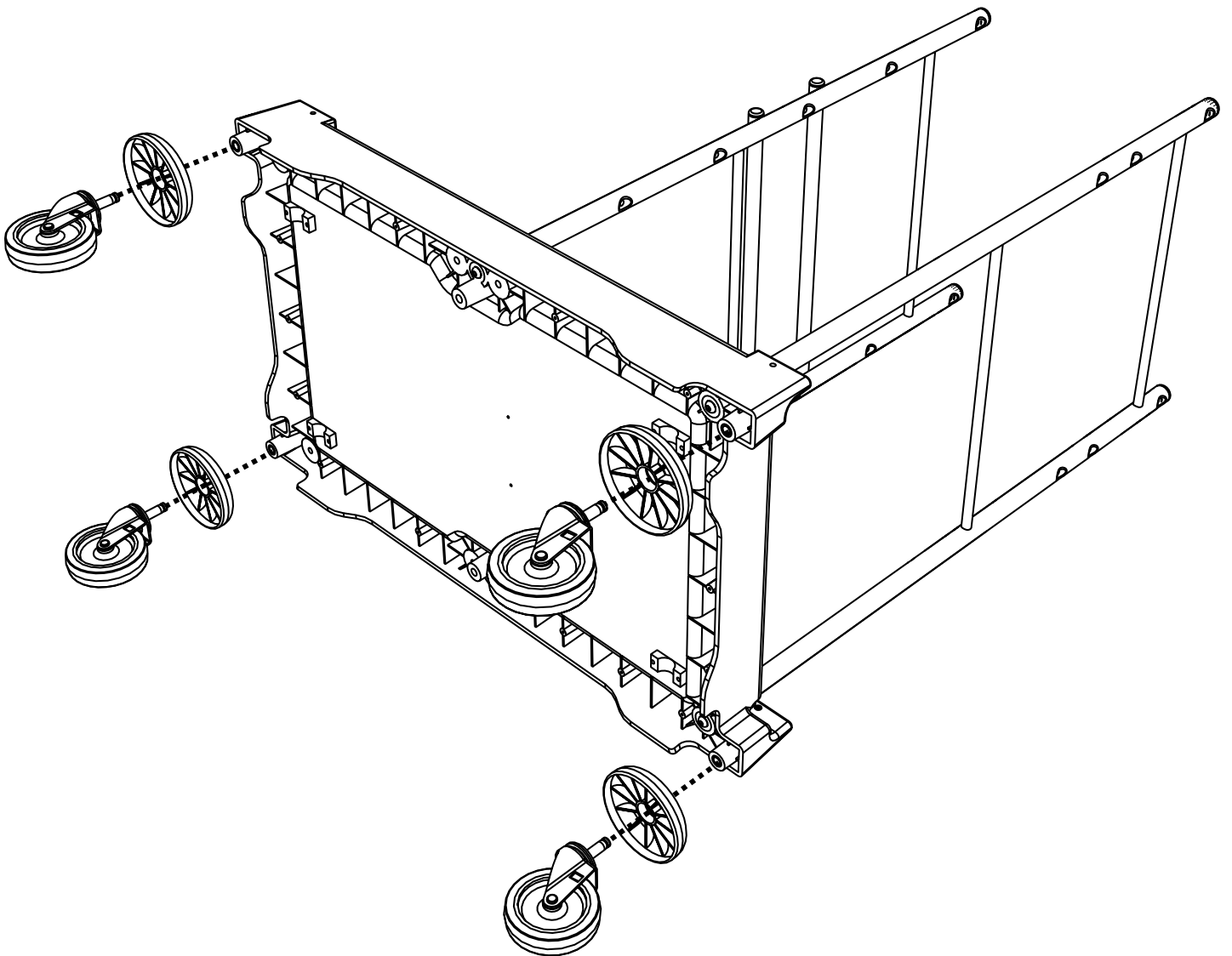
204113

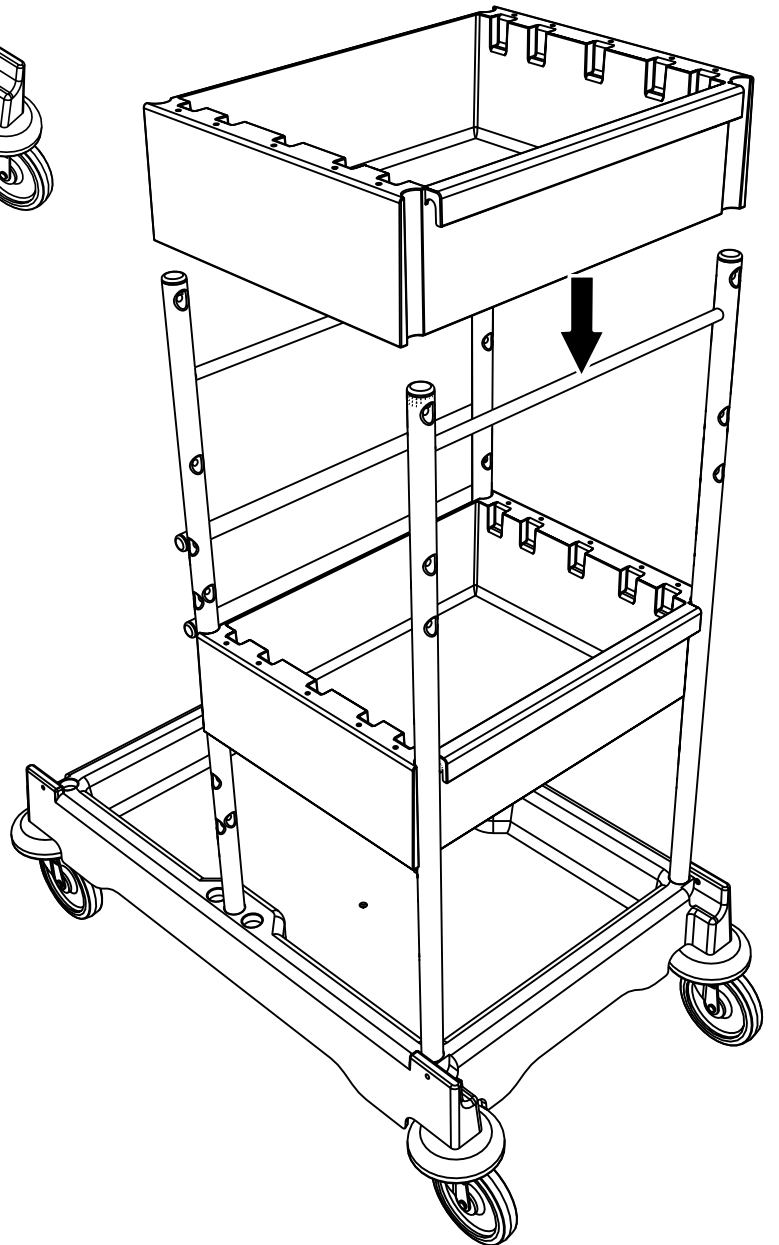
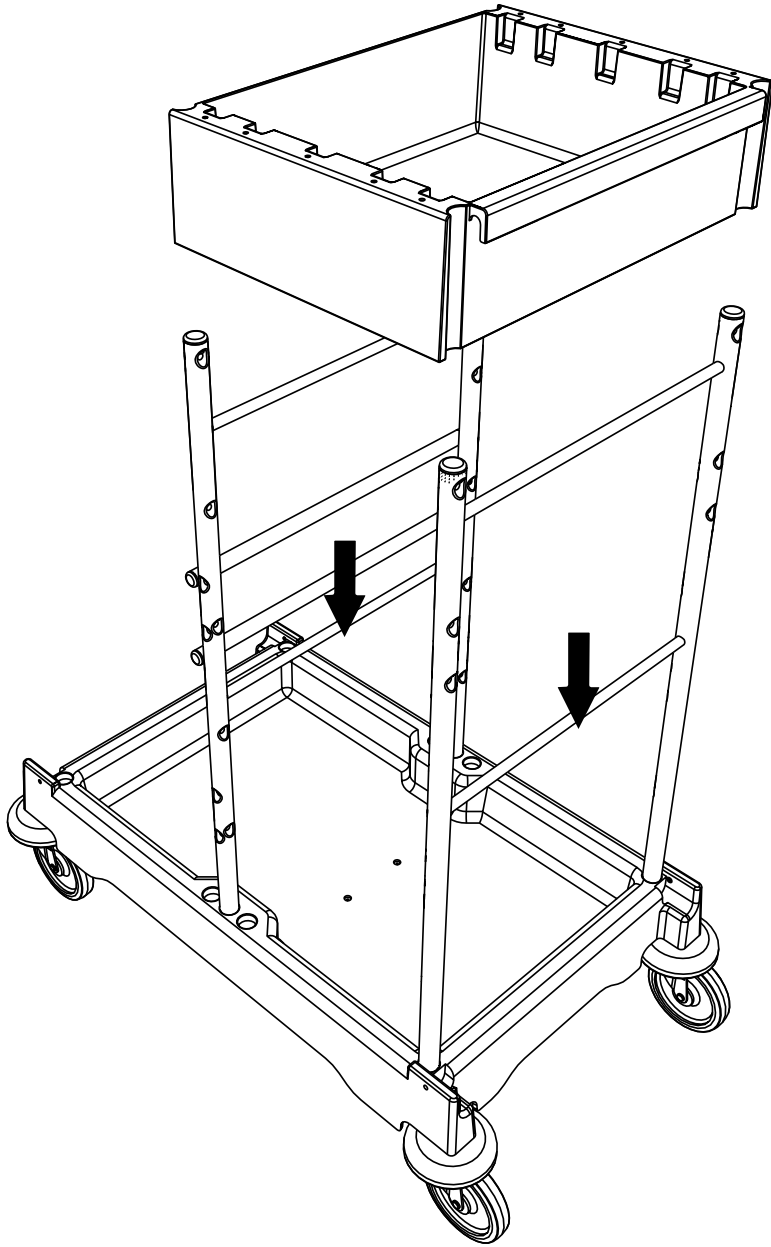
227479



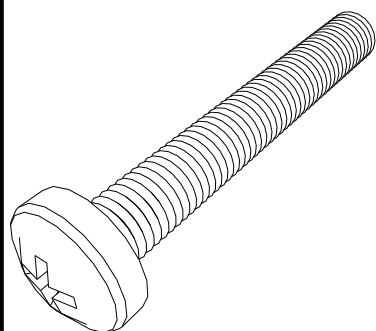
x 4

x 4

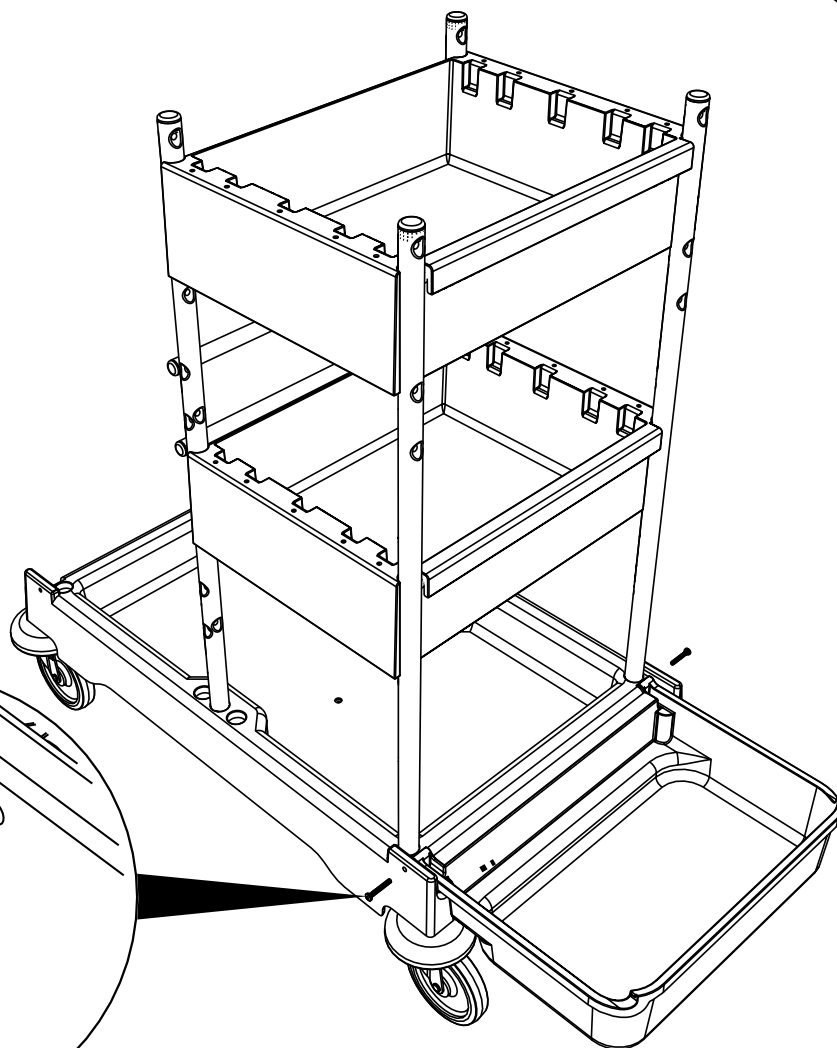
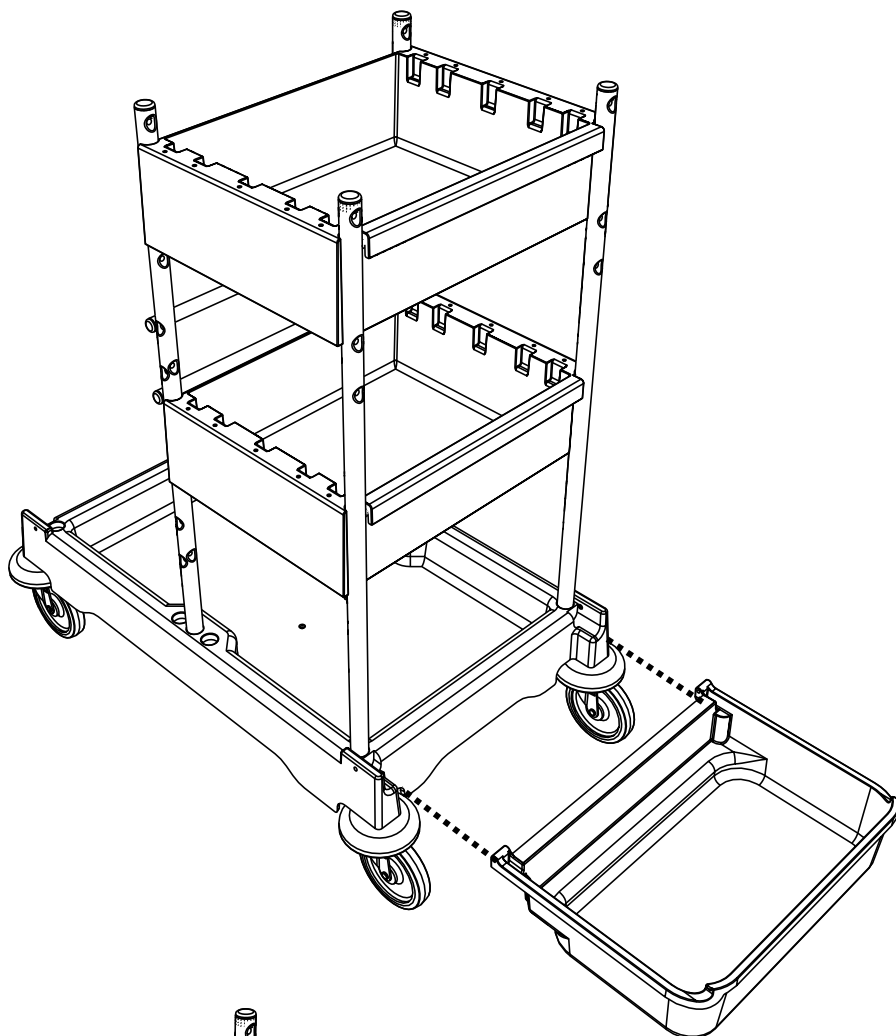




220033
M5 X 35

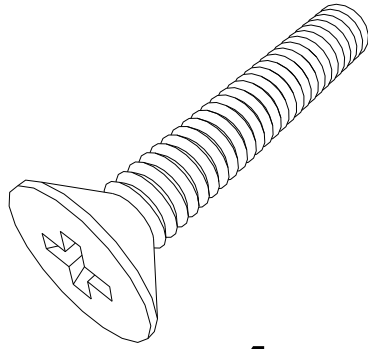


x 2

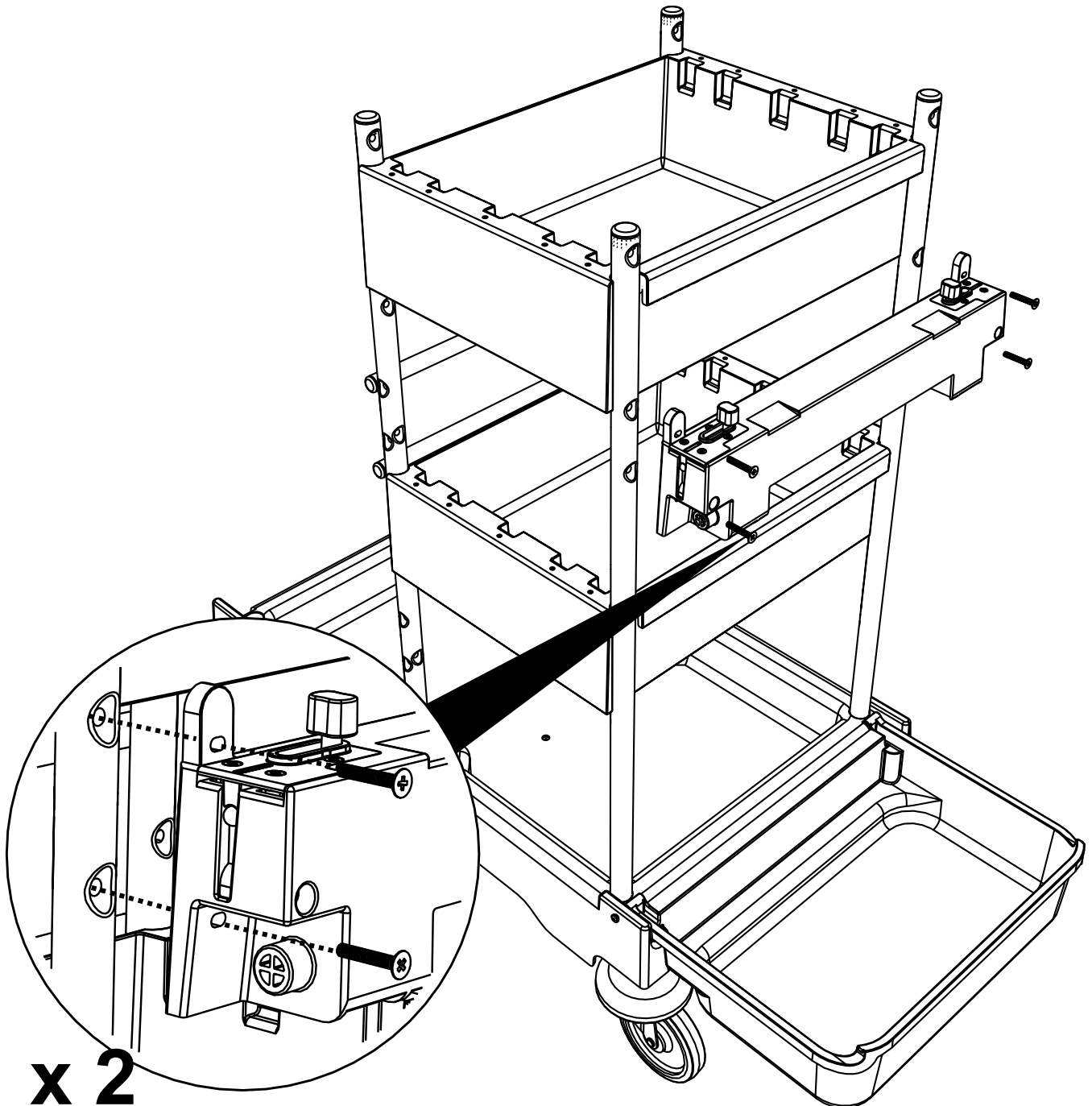


x 2

904520
M5 X 30

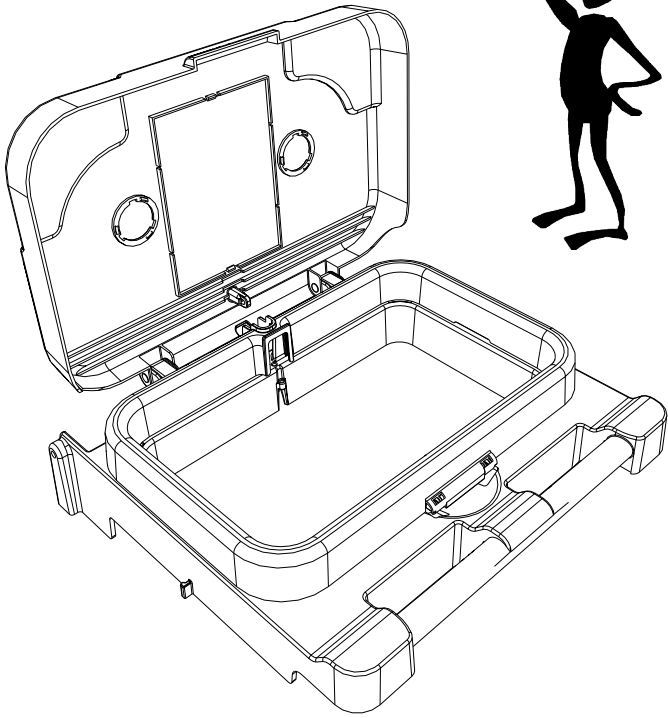


x 4



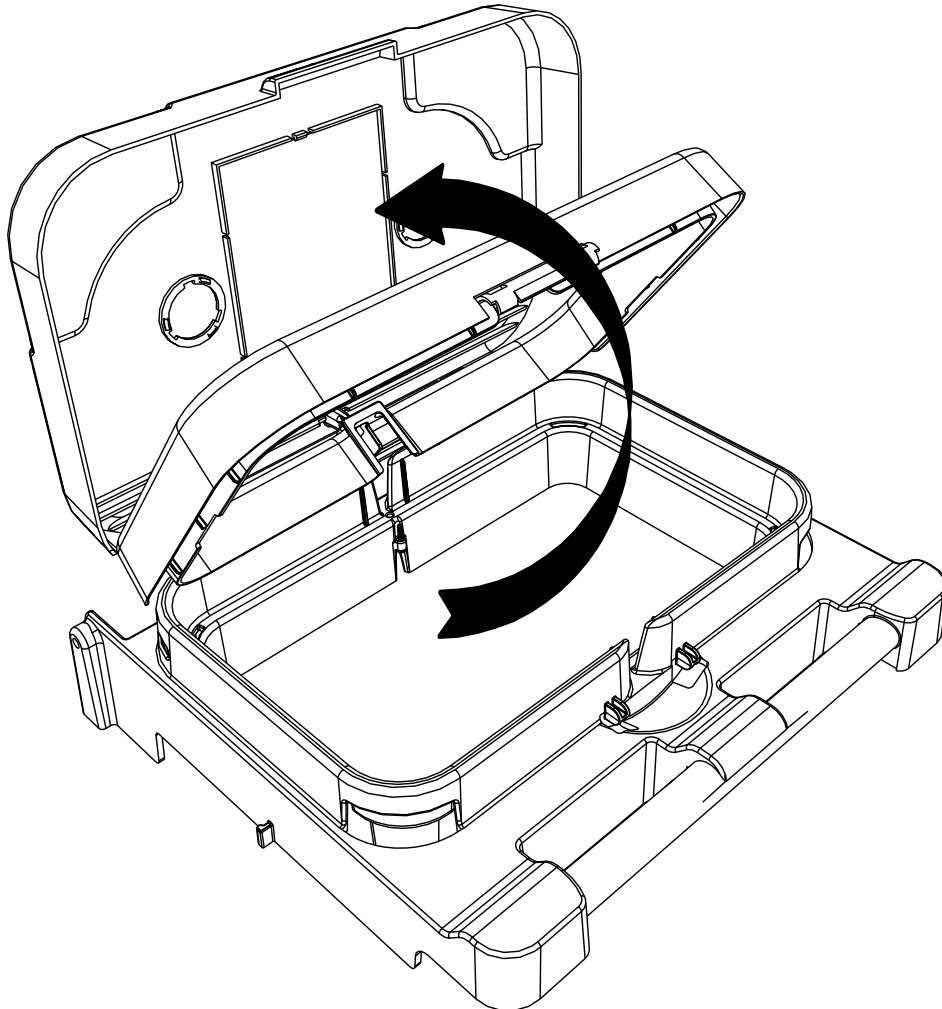
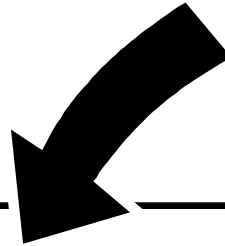
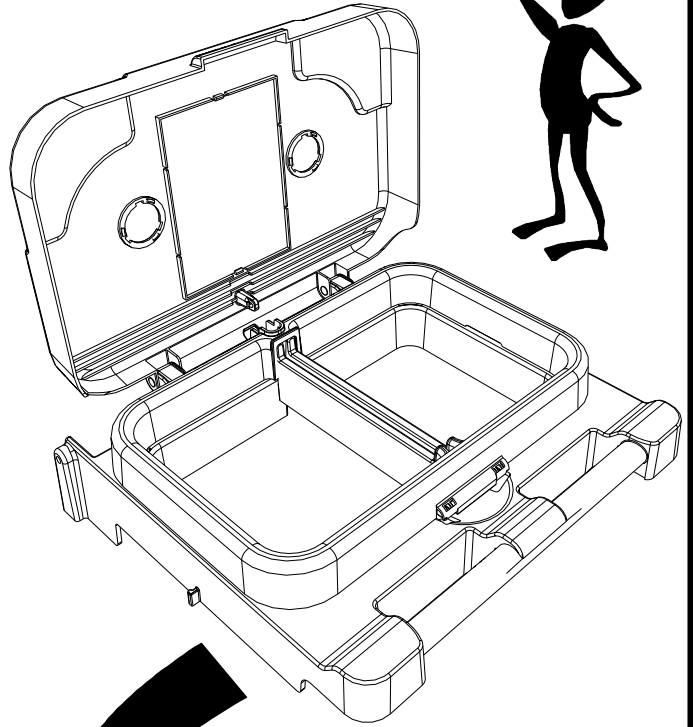
x 2

120 LTR

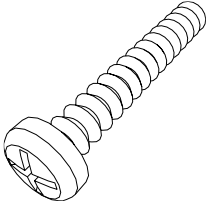


PAGE 14

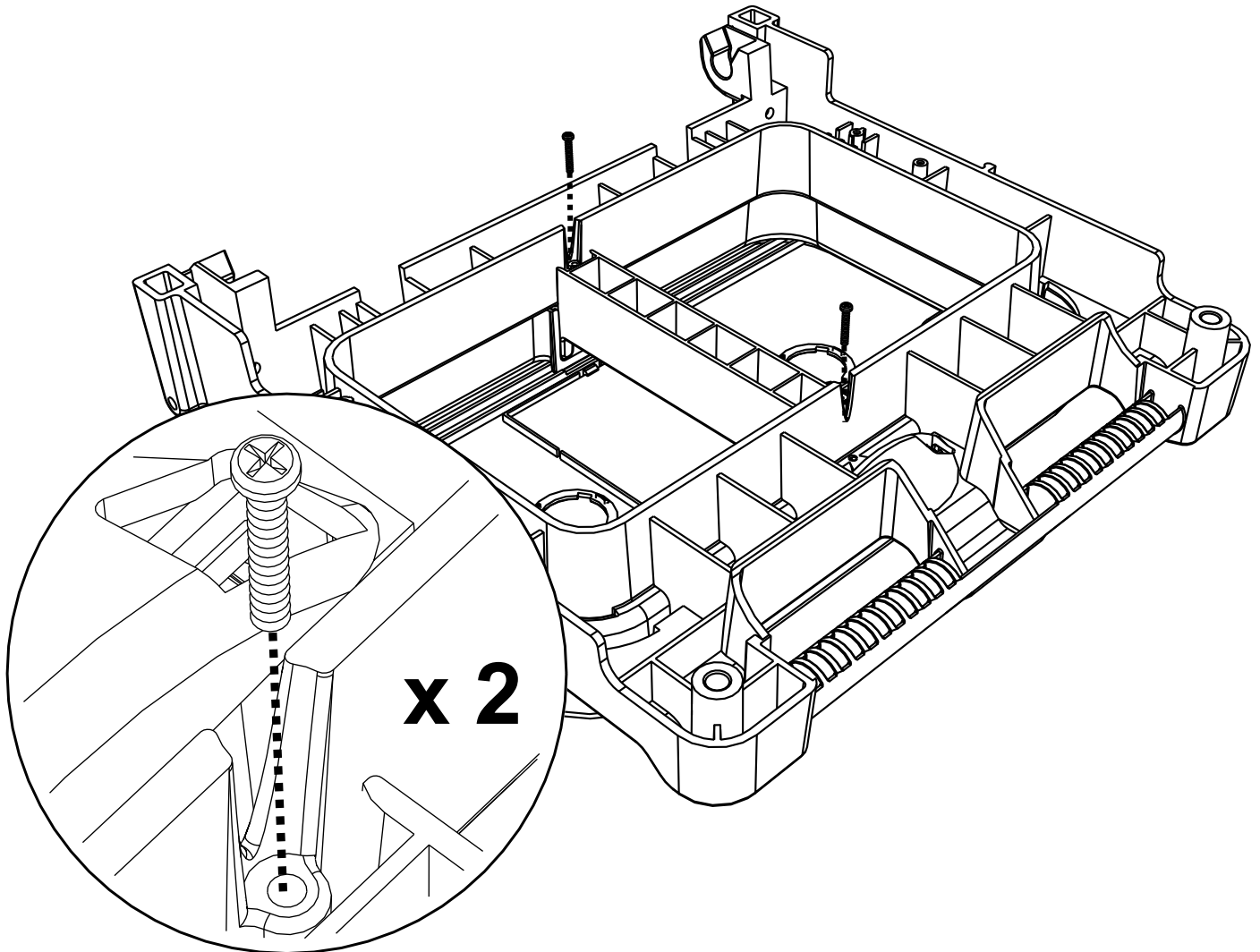
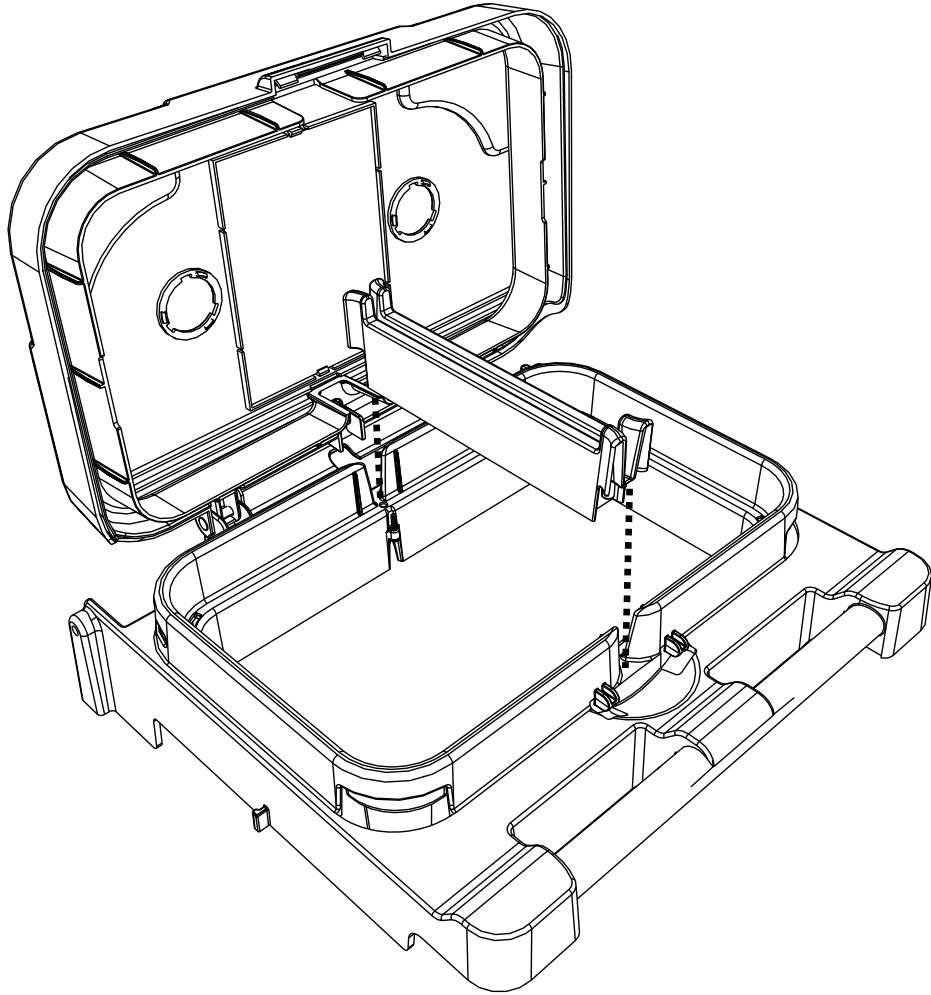
140 LTR

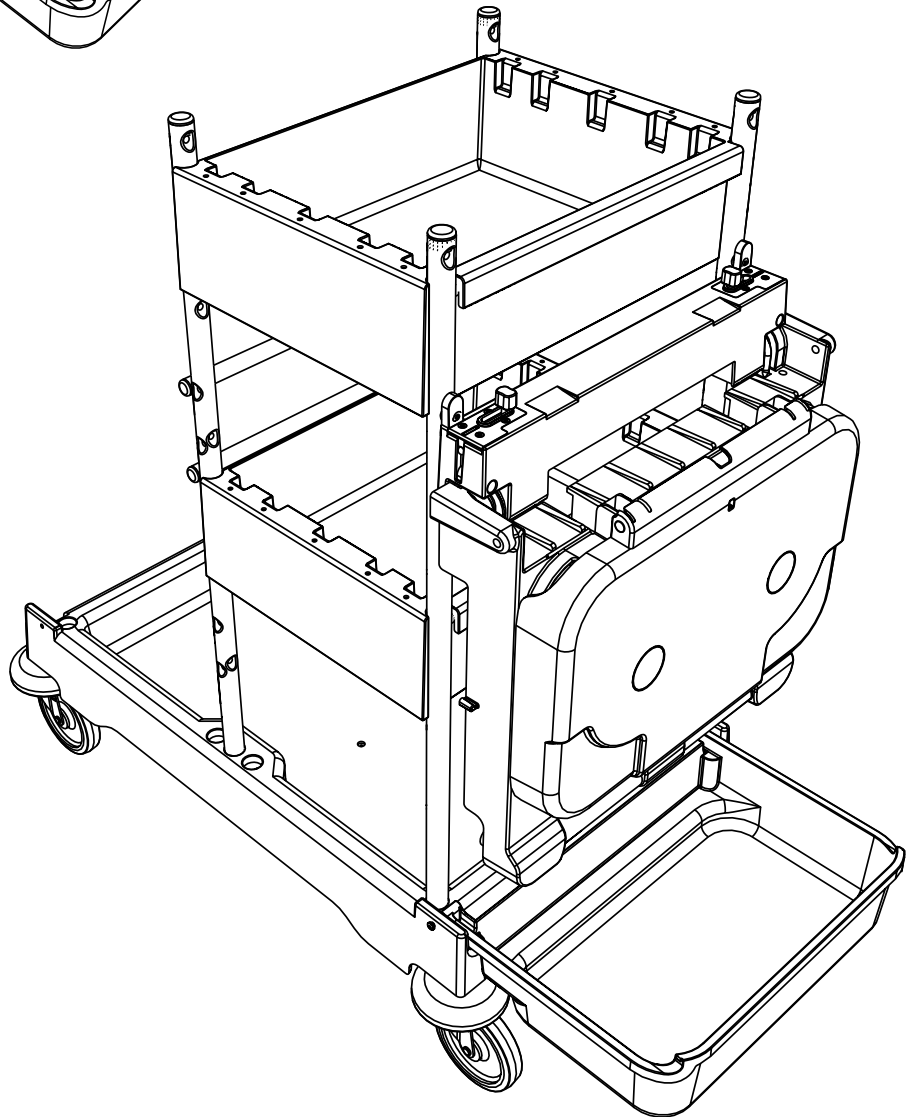
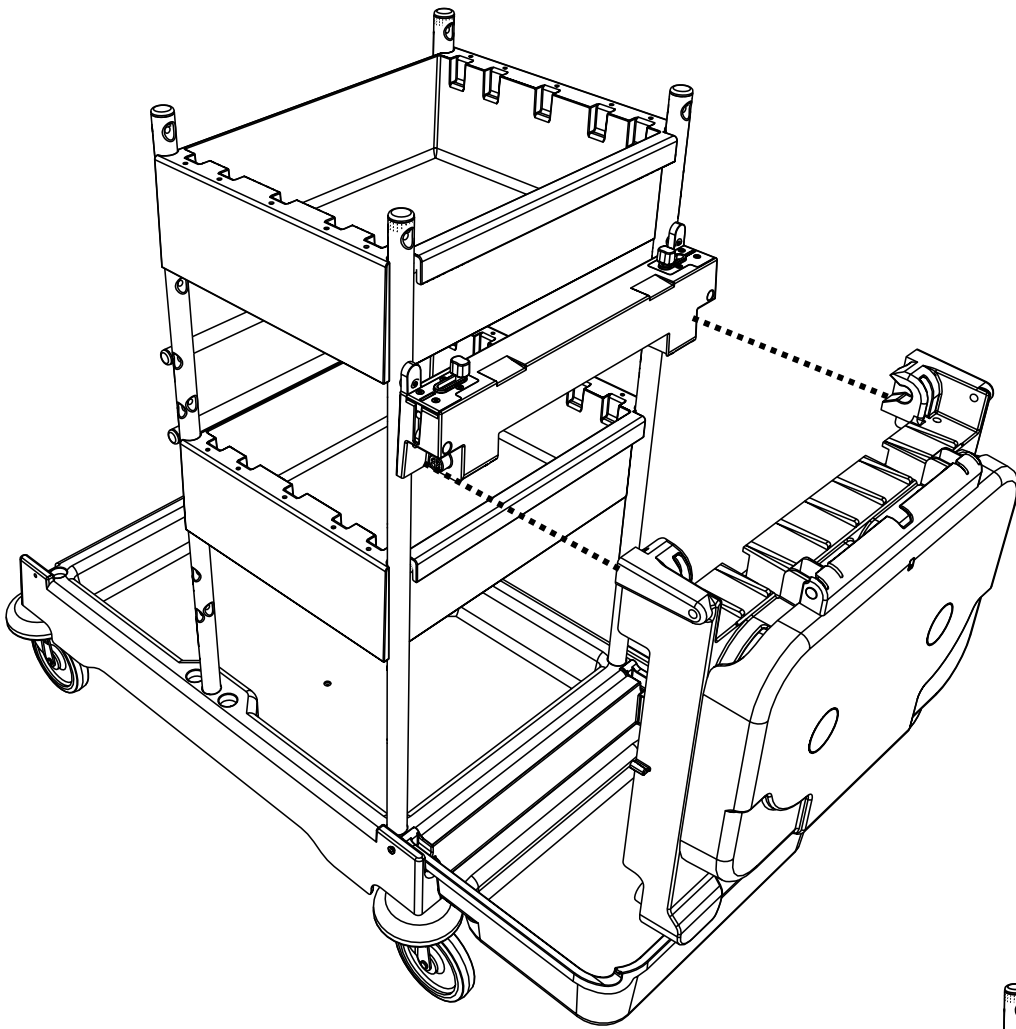


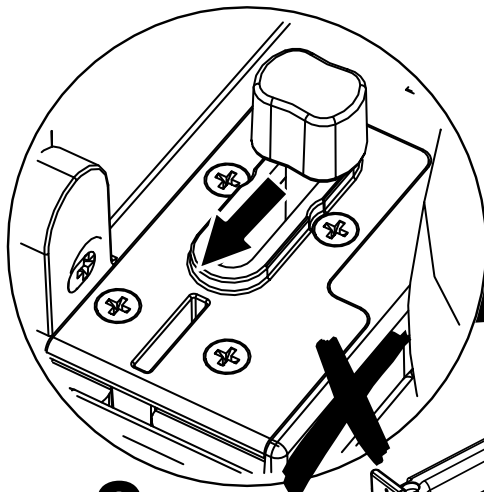
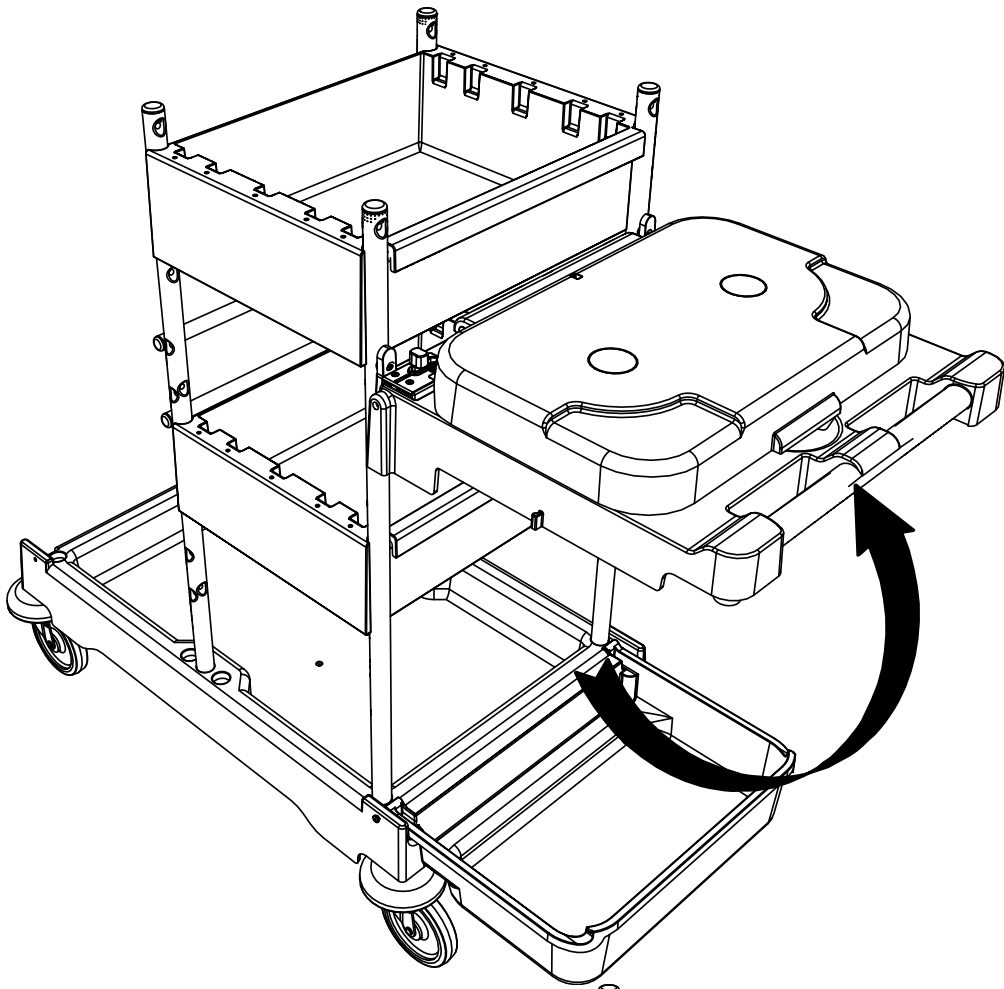
219602
NO6 X 1 INCH



x 2







x 2

