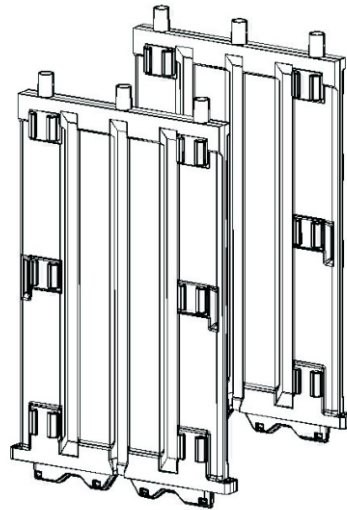
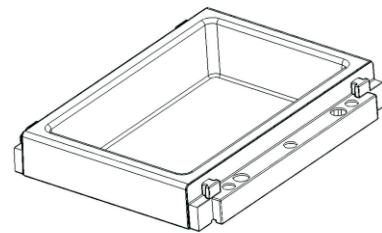
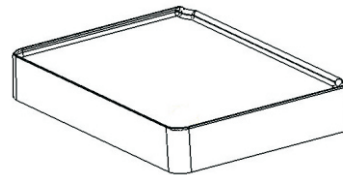
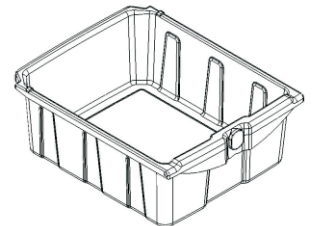
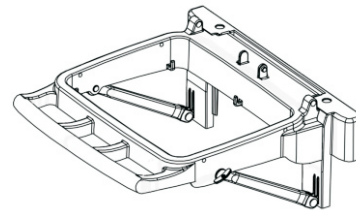
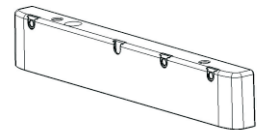
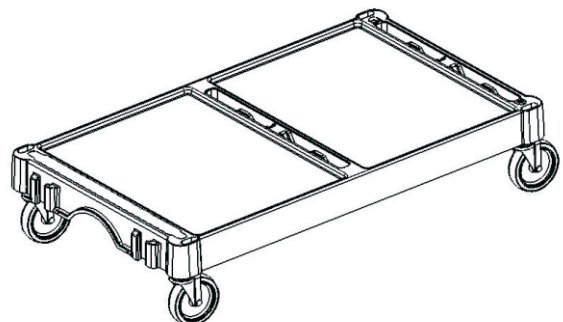
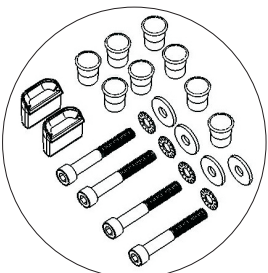
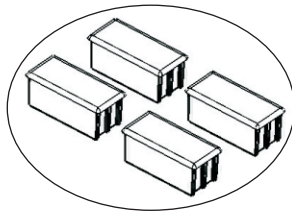
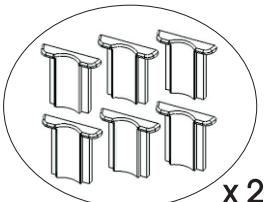
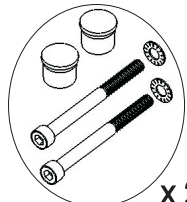
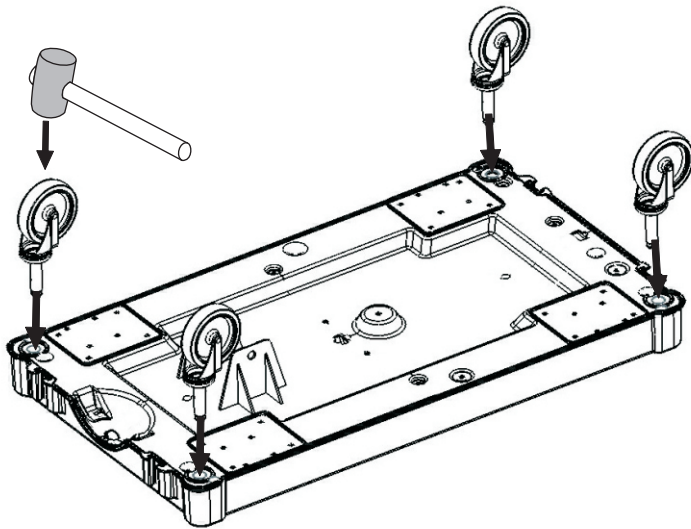


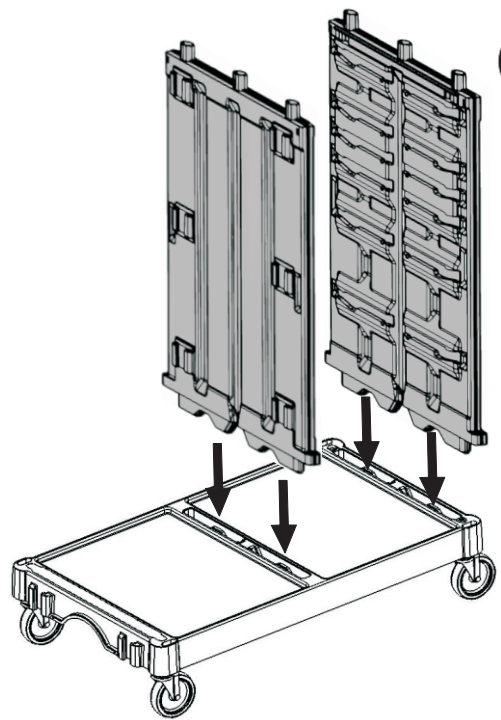
T.S.**MAGIC LINE****ART. ML330B0A0A00****ART. T690751**
ART. 3360
ART. 3361
ART. 3362
ART. 3363
**ART. T090736****ART. T090795****ART. T090781****ART. T090820****ART. T090739****ART. T09070400**
KIT N° 04
ART. V050804

KIT N° 35
ART. V050835
**ART. V060006**
KIT N° 09
ART. V050069
x 2
KIT N° 21
ART. V050821
x 2**T.S.**
ASSEMBLY INSTRUCTION
SCHEDA DI MONTAGGIO
REV. 01
DATE - DATA
25/01/2016
PRODUCT - PRODOTTO**ML330B0A0A00**
APPROVAL
APPROVAZIONE
CODE - CODICE**Carrello Magic Line 330 Basic**

KIT N° 04

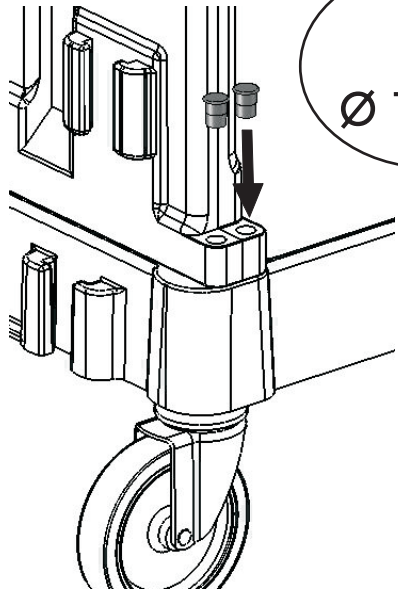
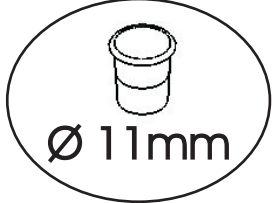
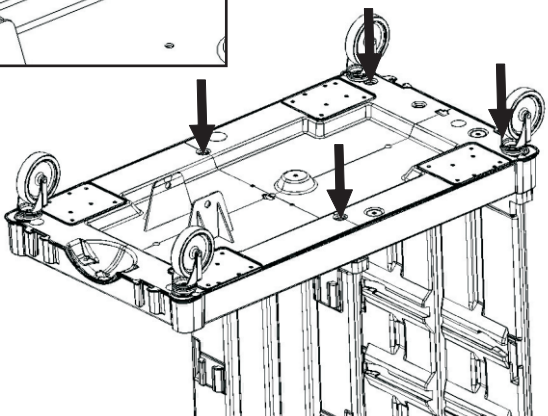
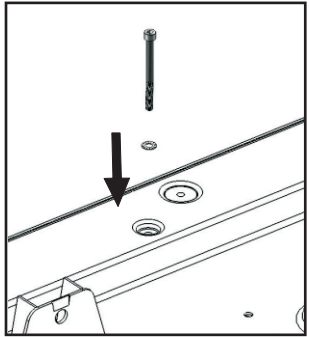
1



2

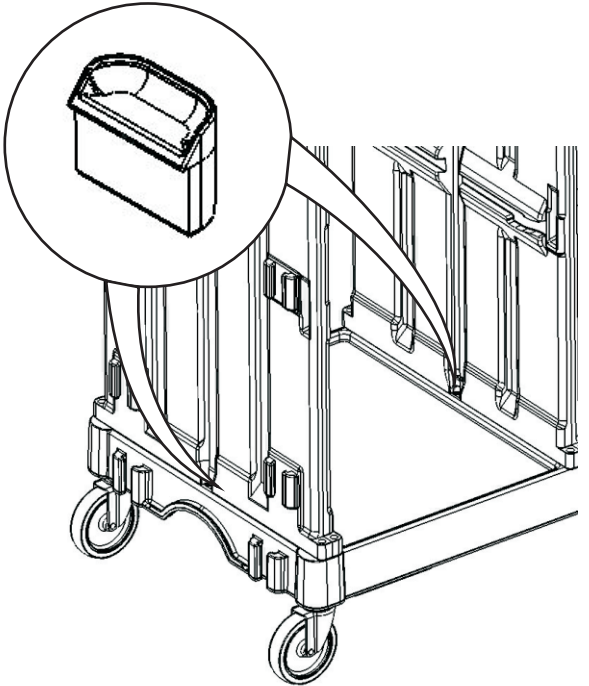


3

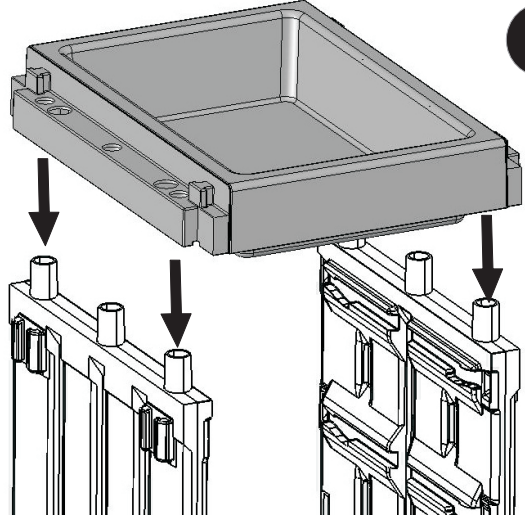


4

5

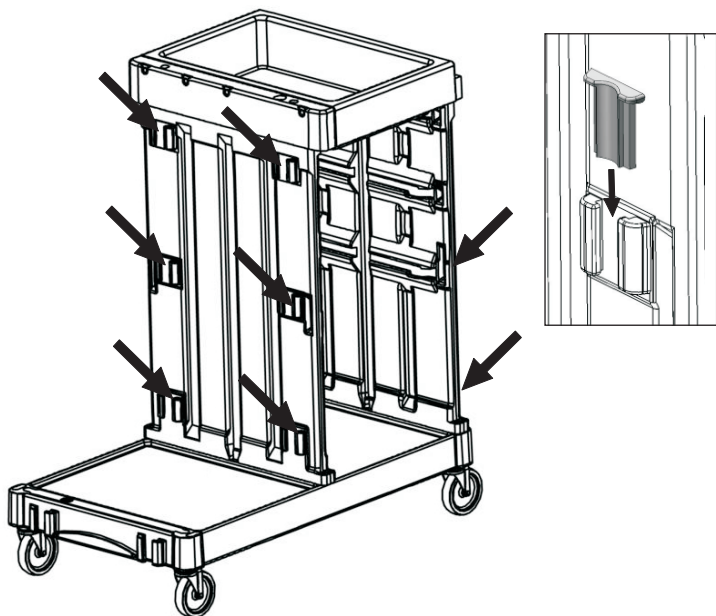


6

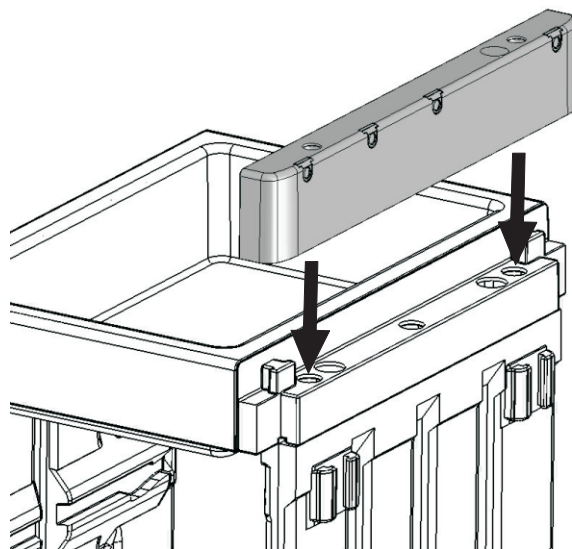


KIT N° 09

7

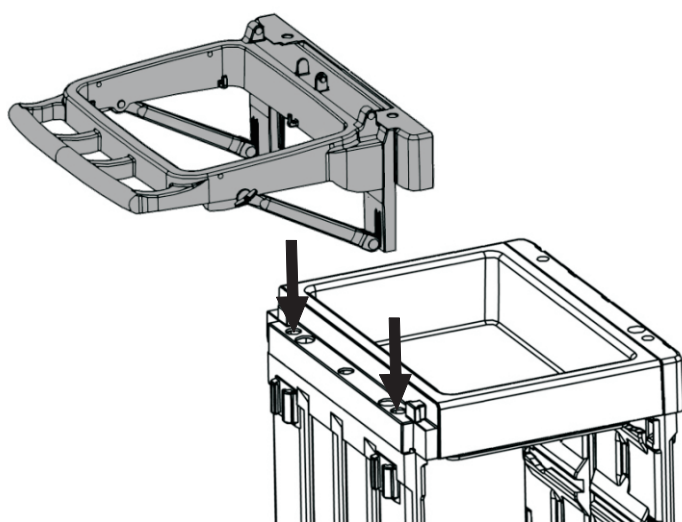


8

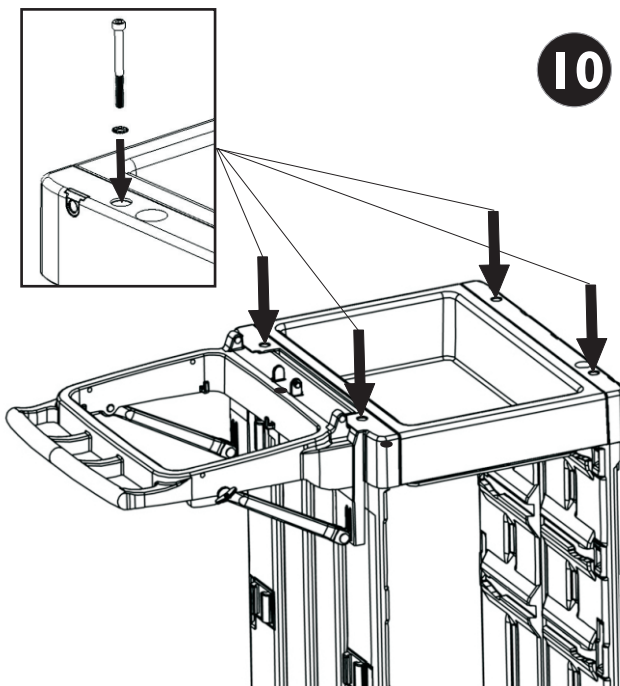


KIT N° 21

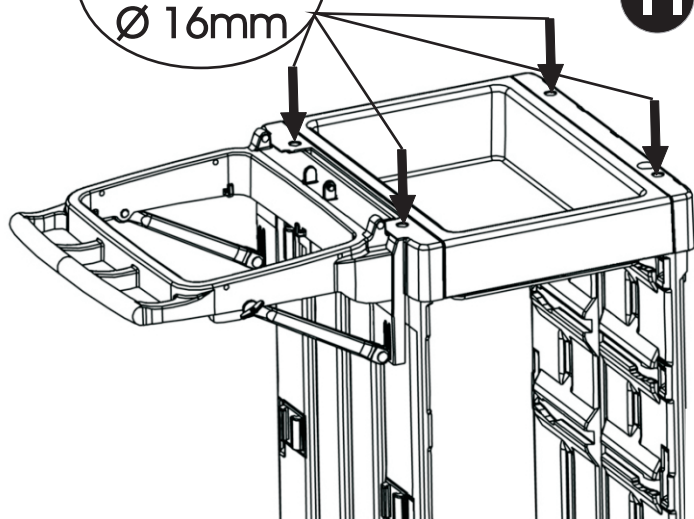
9



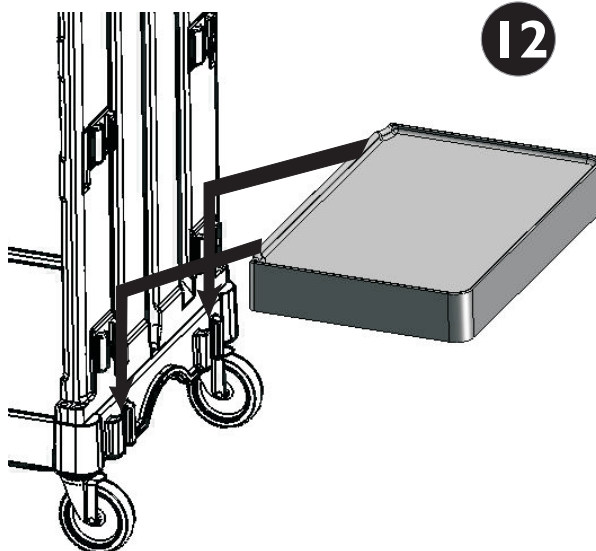
10



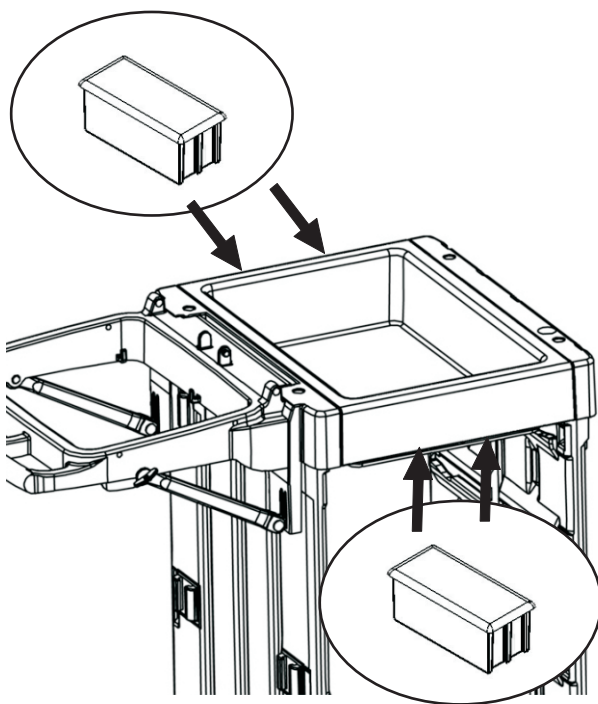
11



12



KIT N° 35 13



14

