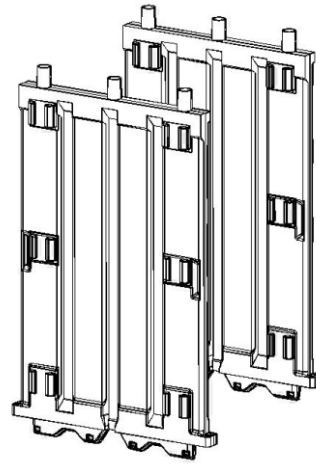


T.S.

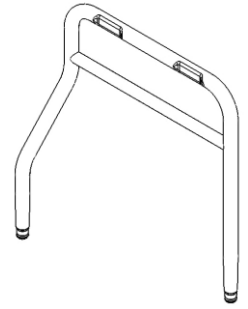
MAGIC LINE



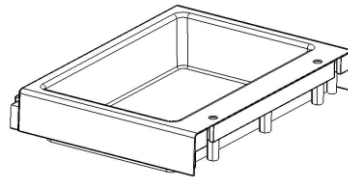
ART. ML360B0A0A00



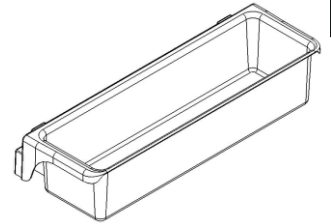
ART. R690751



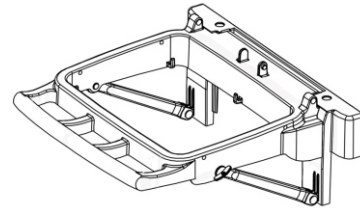
ART. L360510



ART. S090737



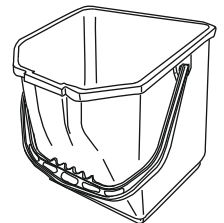
ART. S090735



ART. T090820



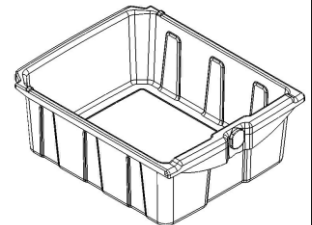
**ART. 3360
ART. 3361
ART. 3362
ART. 3363**



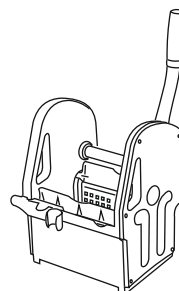
**ART. 000B3501
ART. 000R3501**



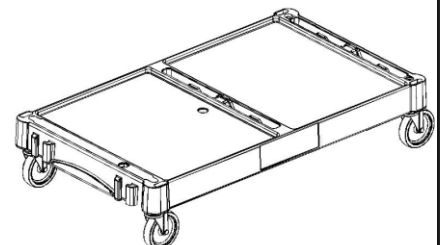
ART. R090795



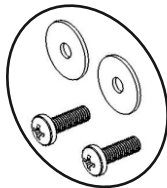
ART. R090781



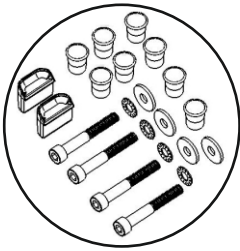
ART. 3724



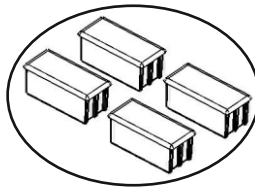
ART. T09070400



**KIT N° 37
ART. V050018**



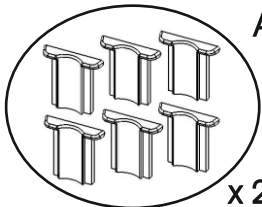
**KIT N° 04
ART. V050804**



**KIT N° 35
ART. V050835**



ART. V060006



**KIT N° 09
ART. V050069**



**KIT N° 21
ART. V050821**

T.S.

ASSEMBLY INSTRUCTION
SCHEDA DI MONTAGGIO

REV. 01

DATE - DATA
03/08/2017

PRODUCT - PRODOTTO

ML360B0A0A00

APPROVAL
APPROVAZIONE

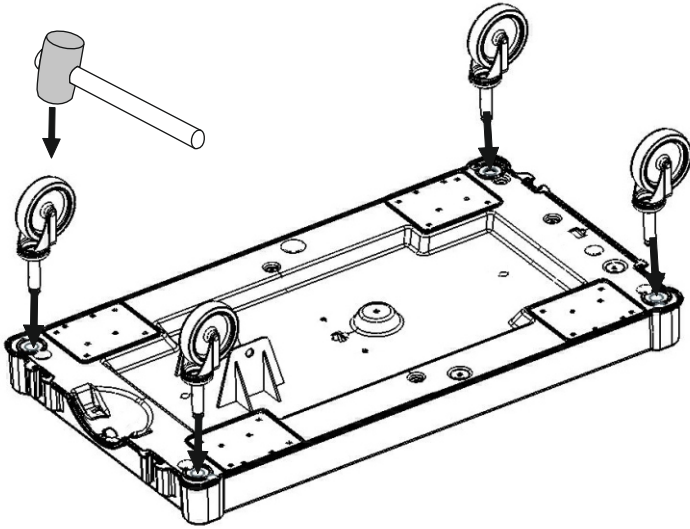
CODE - CODICE

Carrello Magic Line 360 Basic

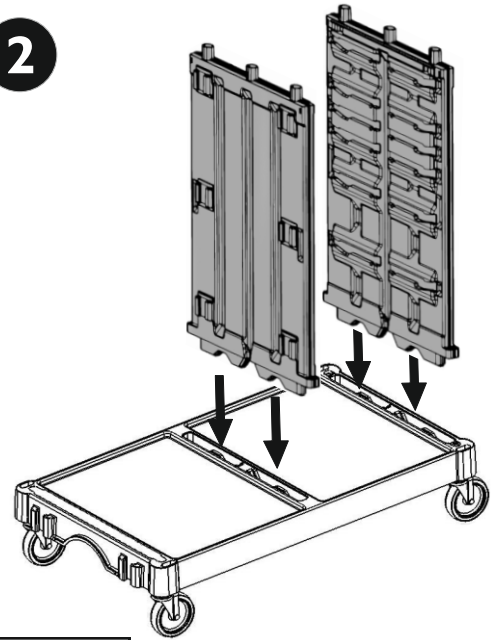


KIT N° 04

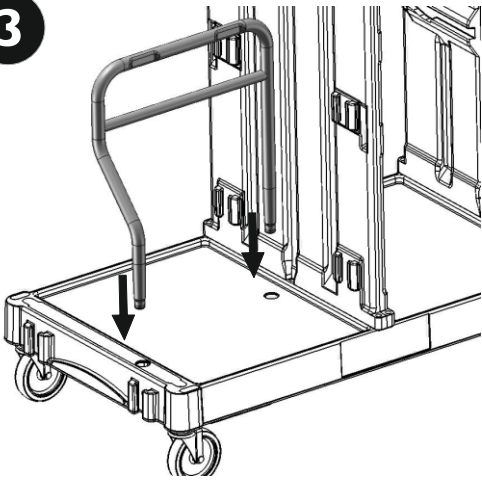
1



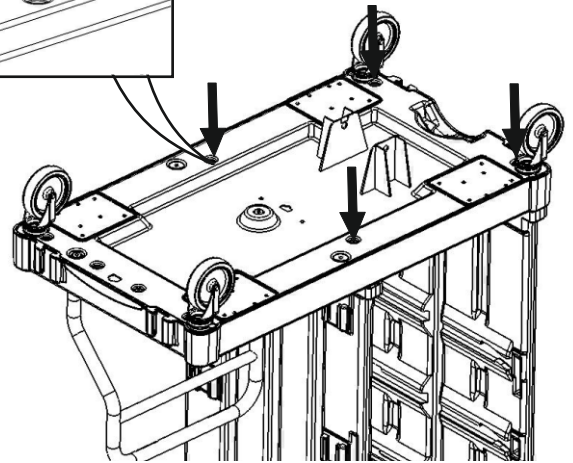
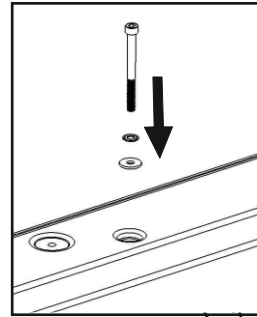
2



3

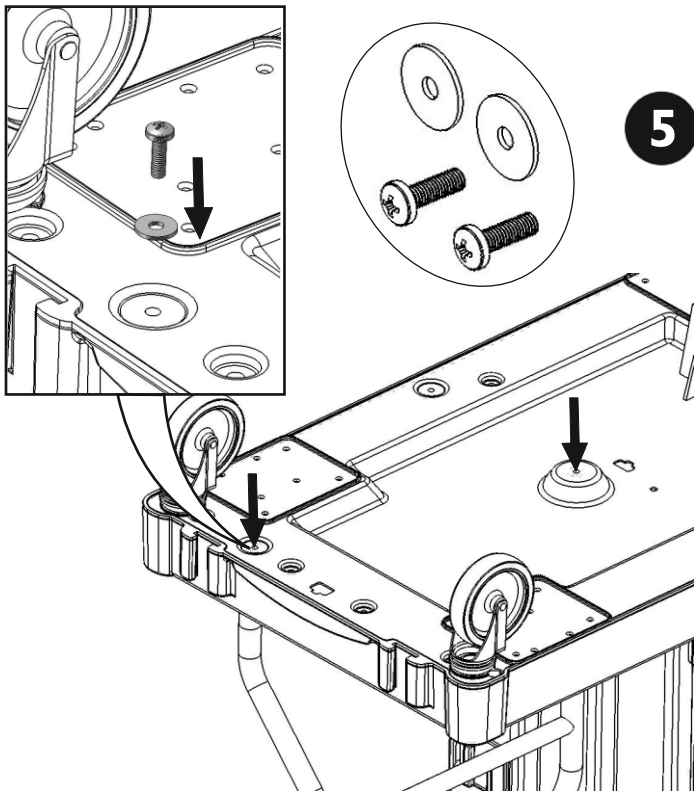


4

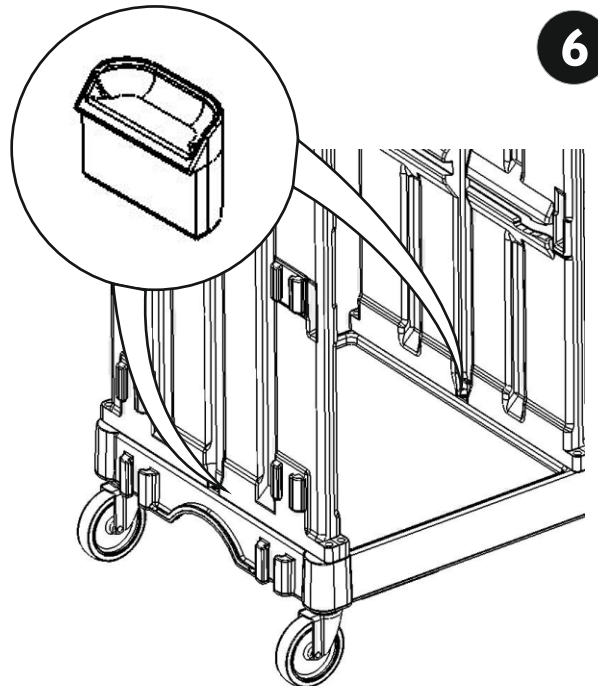


KIT N° 37

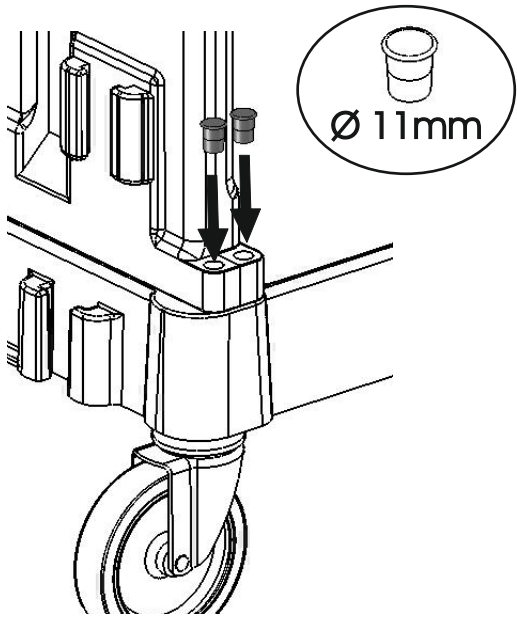
5



6

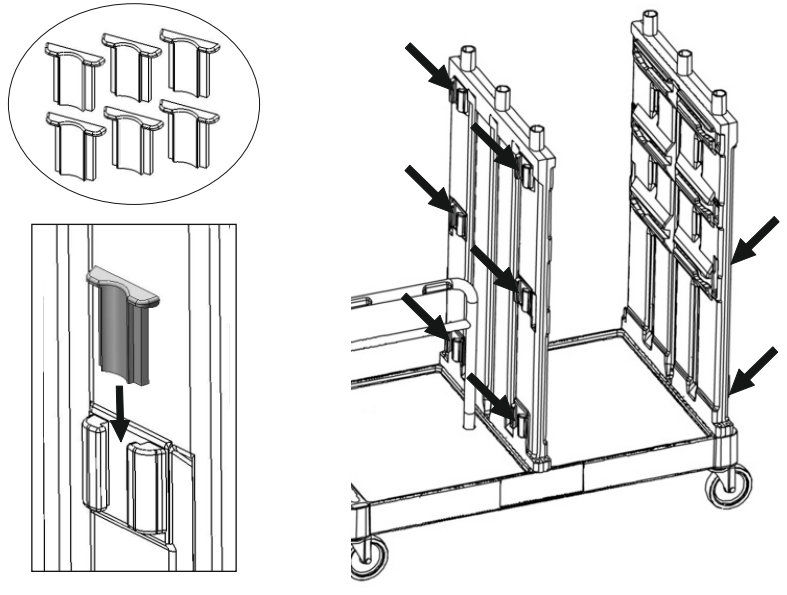


7



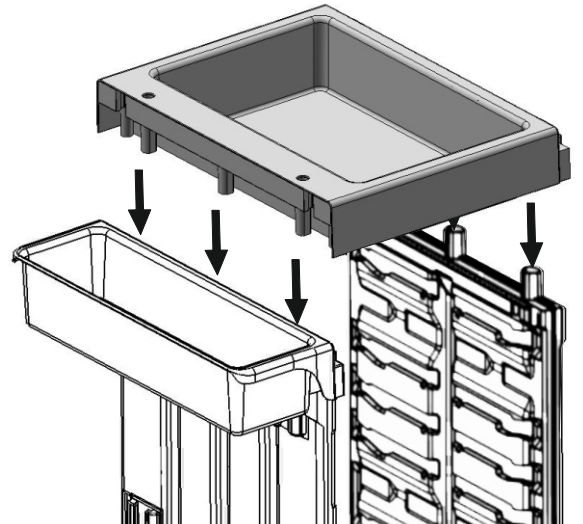
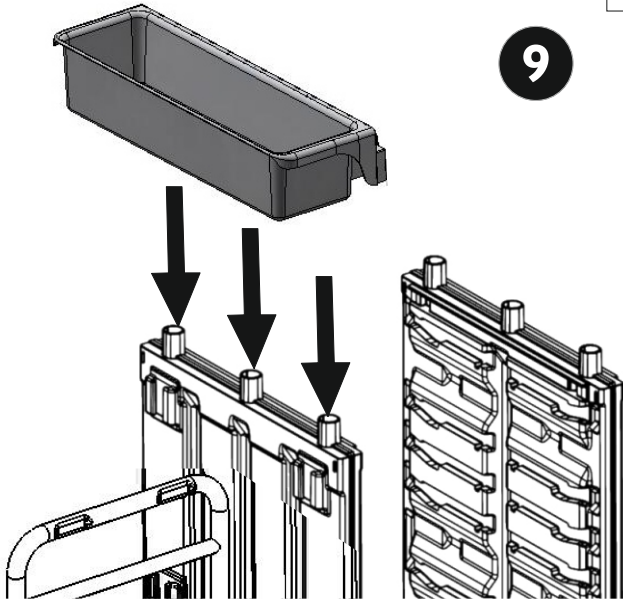
KIT N° 09

8



9

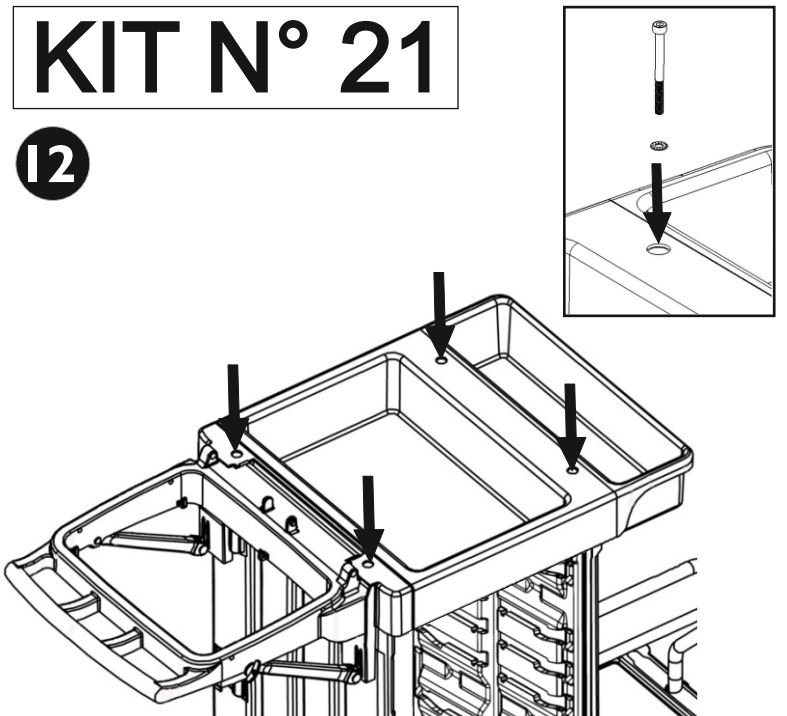
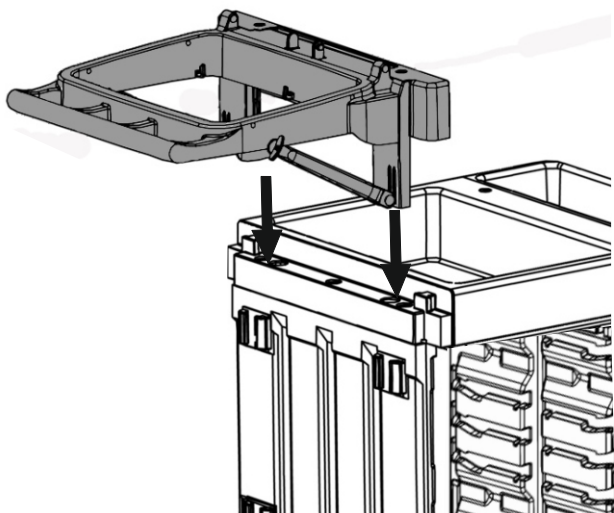
10

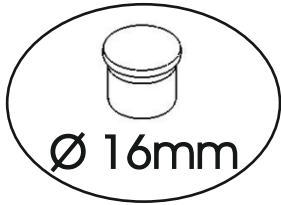


KIT N° 21

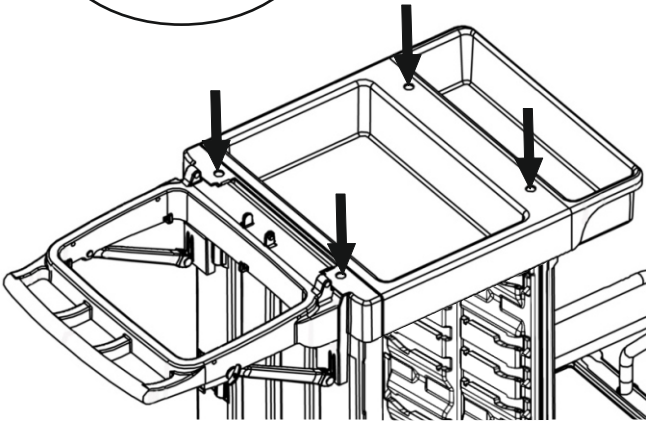
11

12

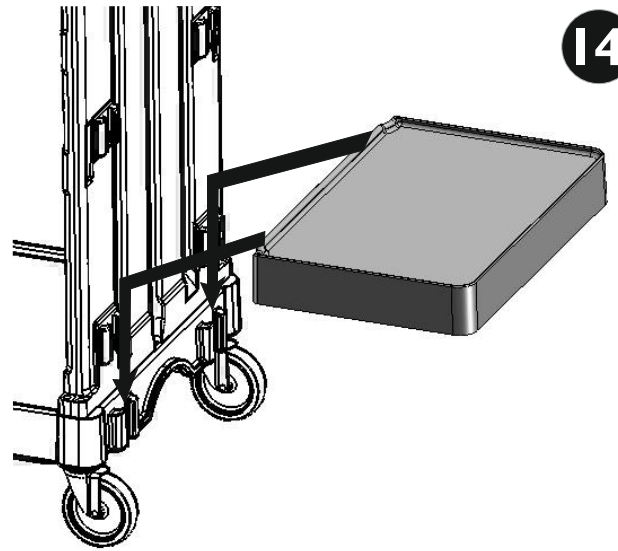




13

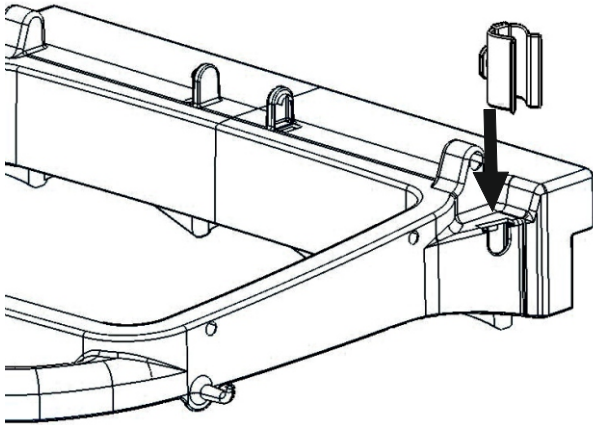


14

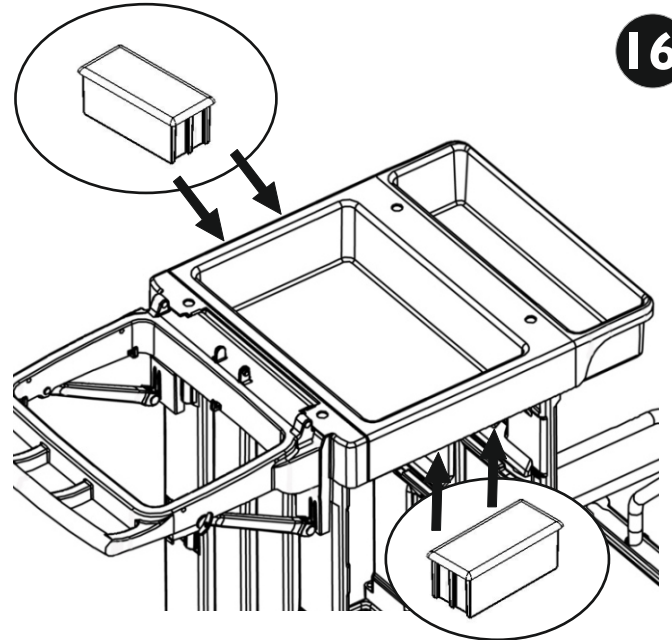


KIT N° 35

15



16



17

