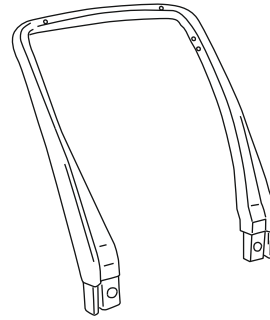


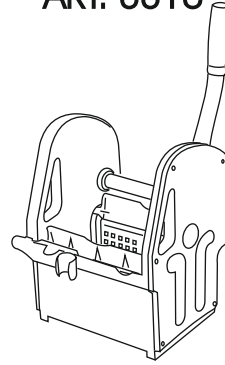
**ART. 00006725**



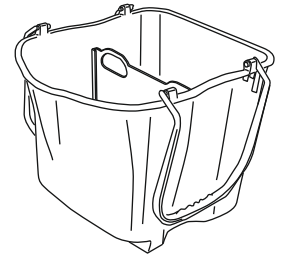
**ART. 3310**



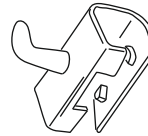
**ART. L030085**



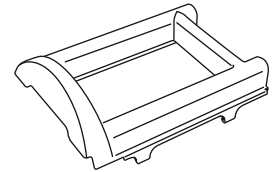
**ART. 3724**



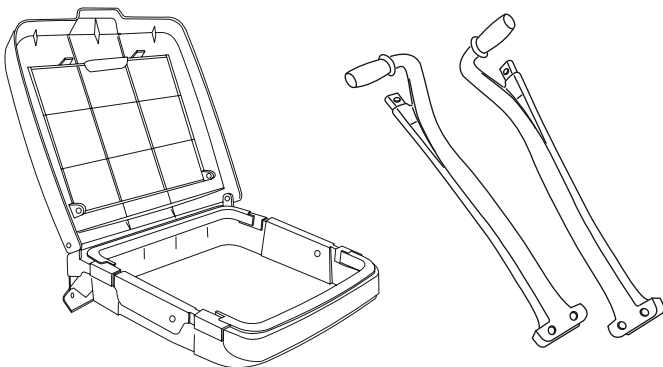
**ART. 3515**



**ART. S070050**



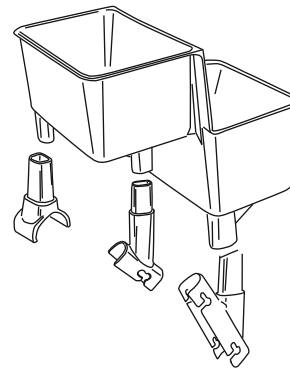
**ART. S090200**



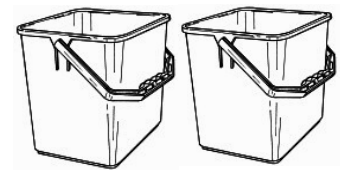
**ART. S070149**

**ART. S070140**

**ART. S070148**

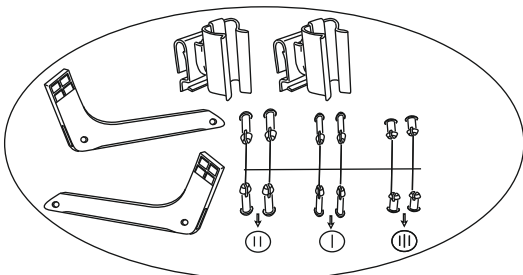


**ART. S030305**

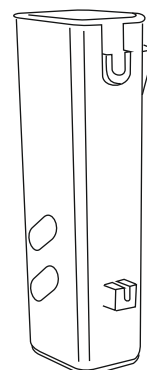


**ART. 3362**

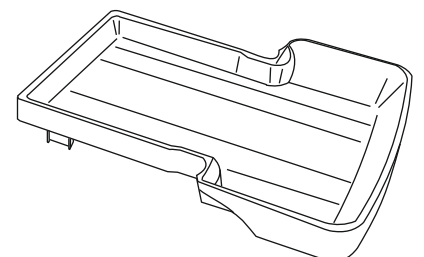
**ART. 3361**



**ART. V050320**



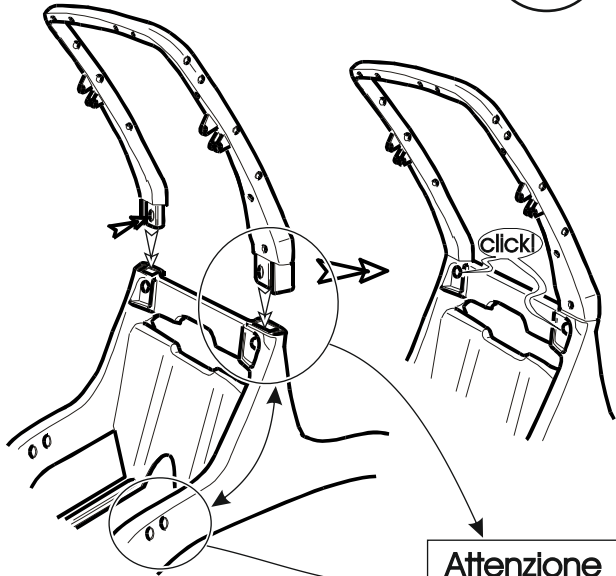
**ART. S070235**



**ART. S070143**

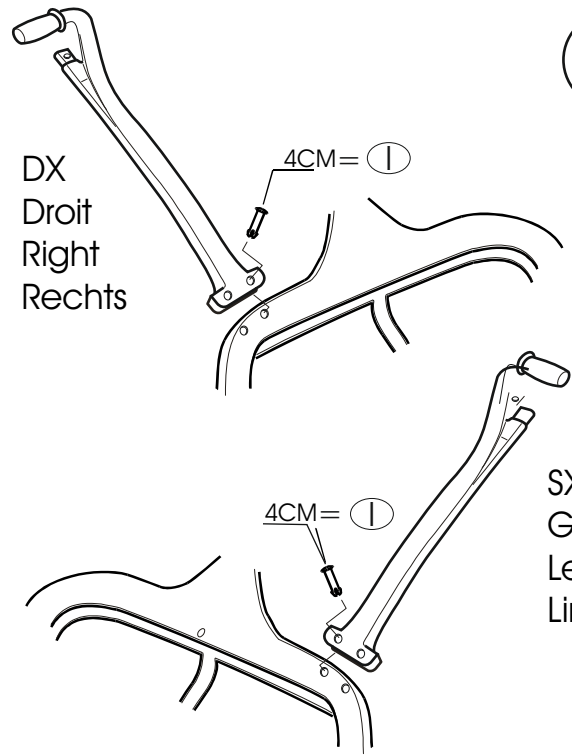
	ASSEMBLY INSTRUCTION SCHEDA DI MONTAGGIO	REV. 02	DATE - DATA 01/07/2019
	CODE - CODICE 00006725	APPROVAL APPROVAZIONE	
PRODUCT - PRODOTTO NICK STAR			

1



Attenzione  
Attention  
Achtung

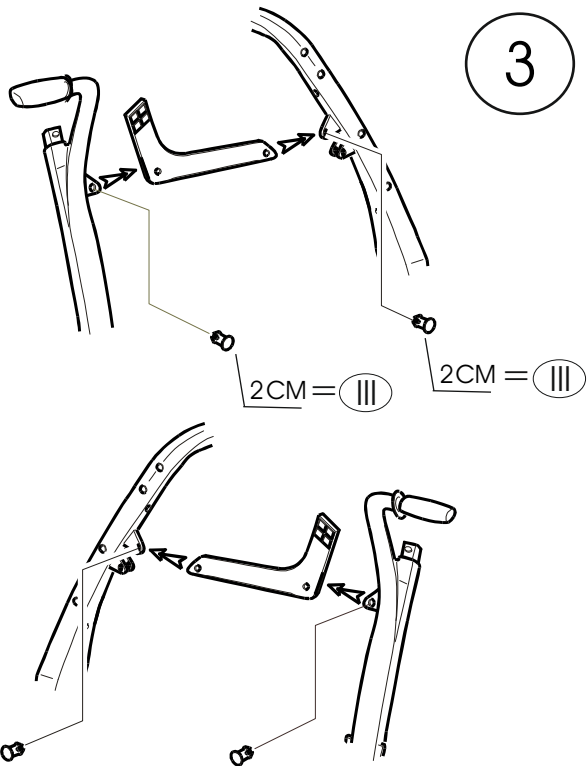
2



DX  
Droit  
Right  
Rechts

SX  
Gauche  
Left  
Links

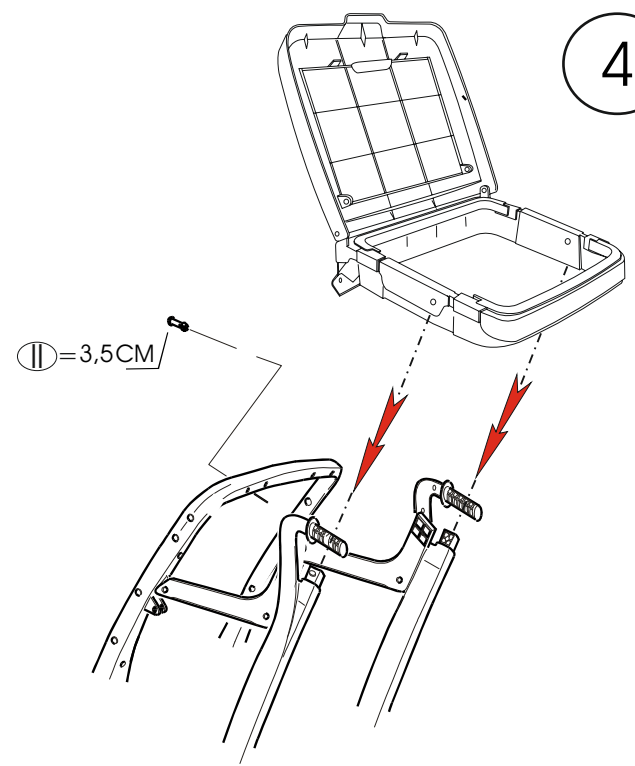
3



2CM = III

2CM = III

4



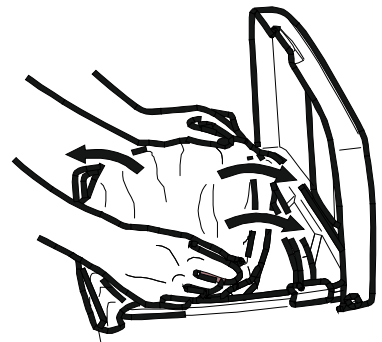
II = 3,5CM

5

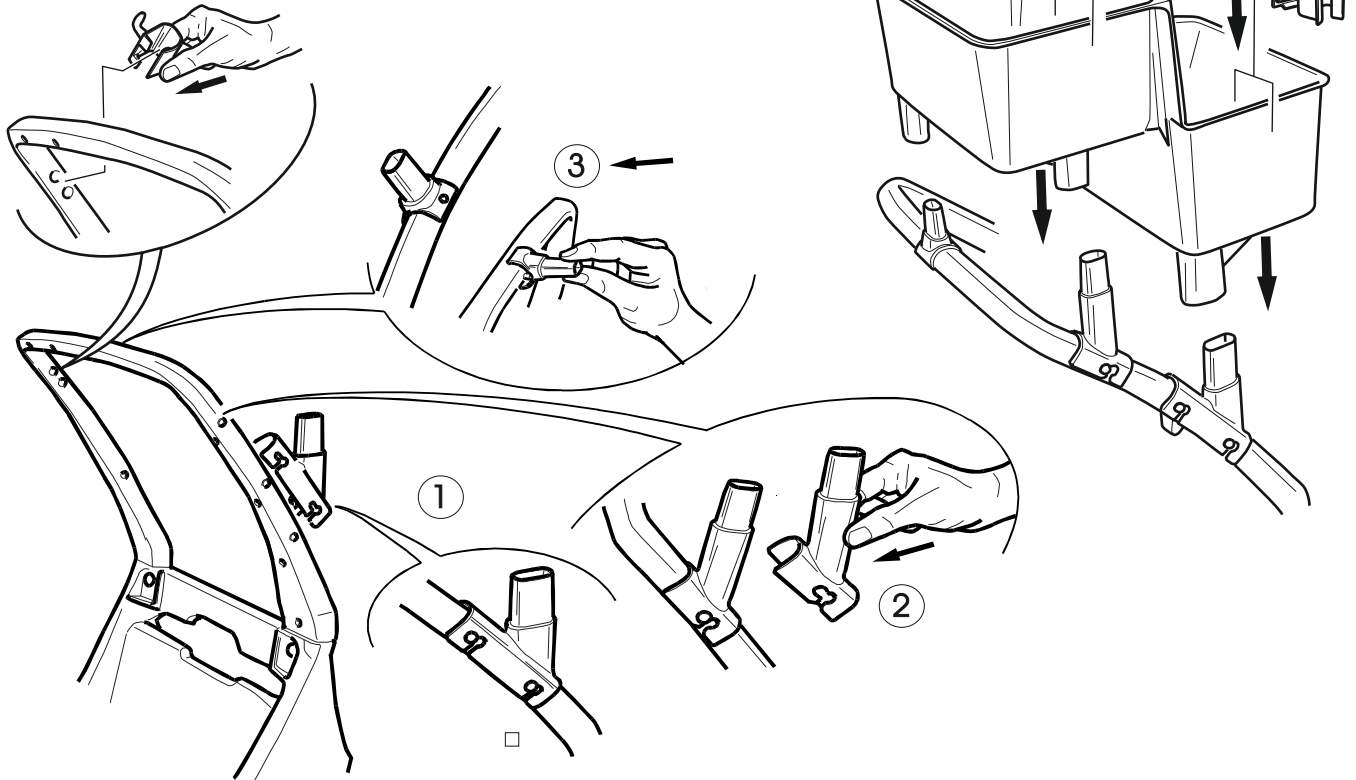


A

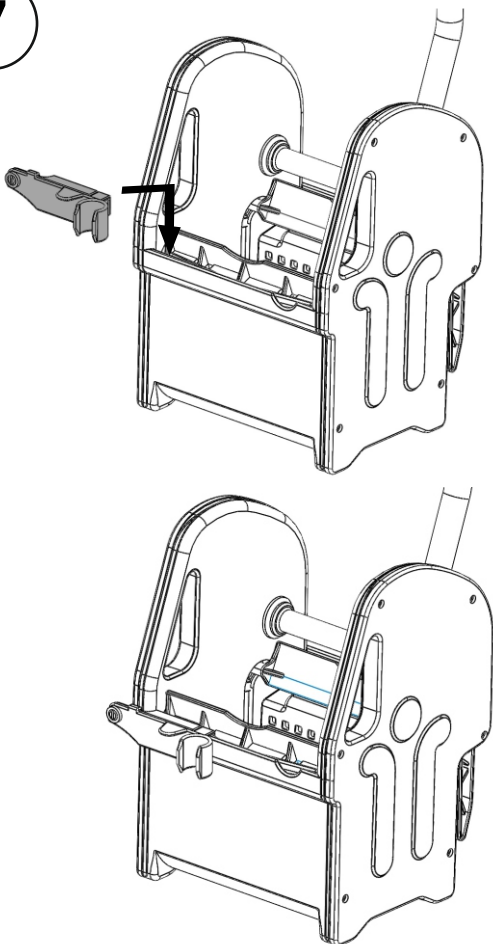
B



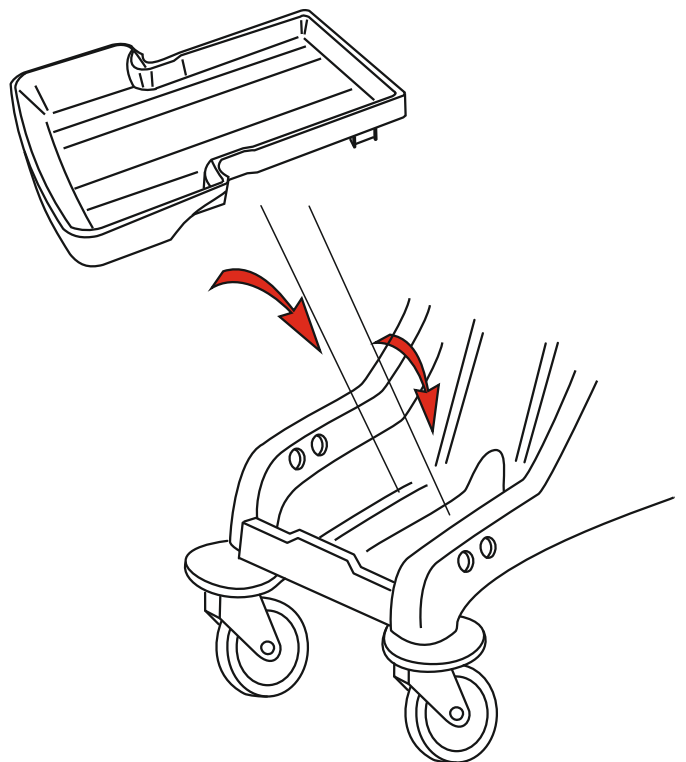
6



7

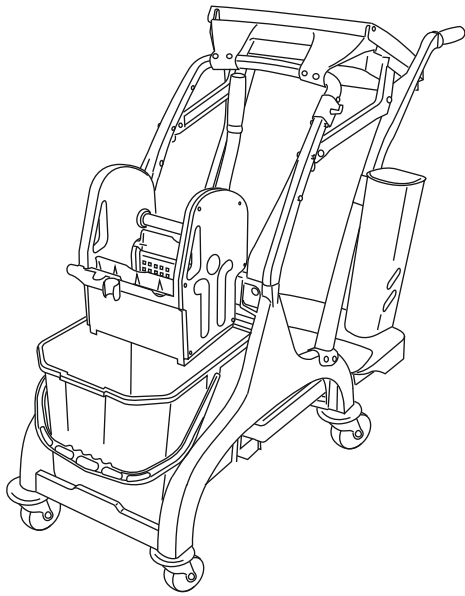


8

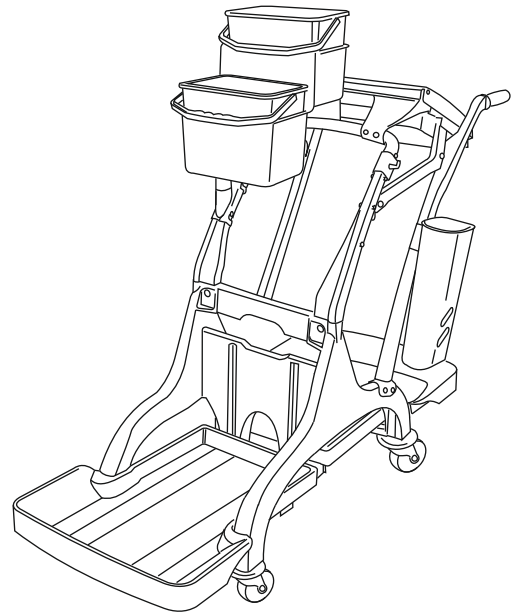




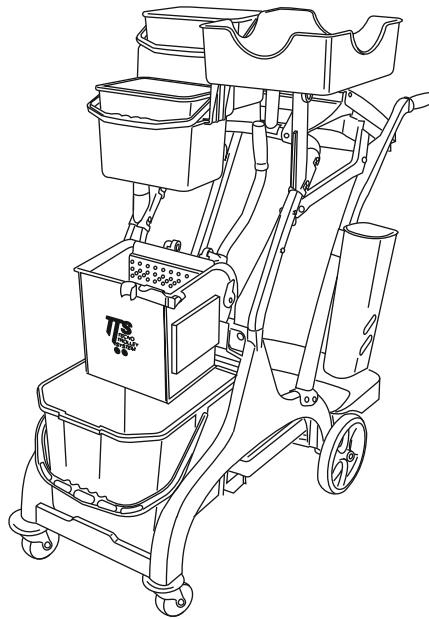
N I C K  
S T A R



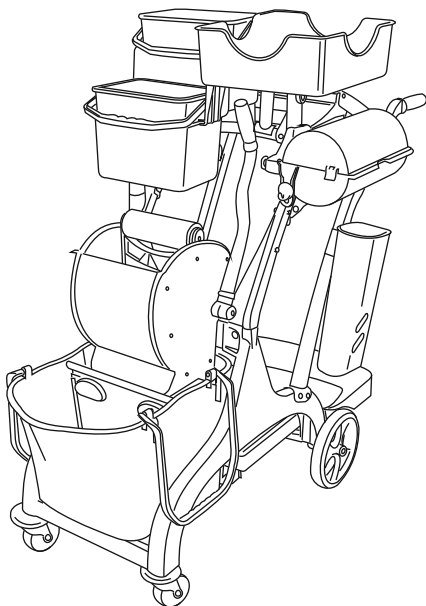
ART. 00006709



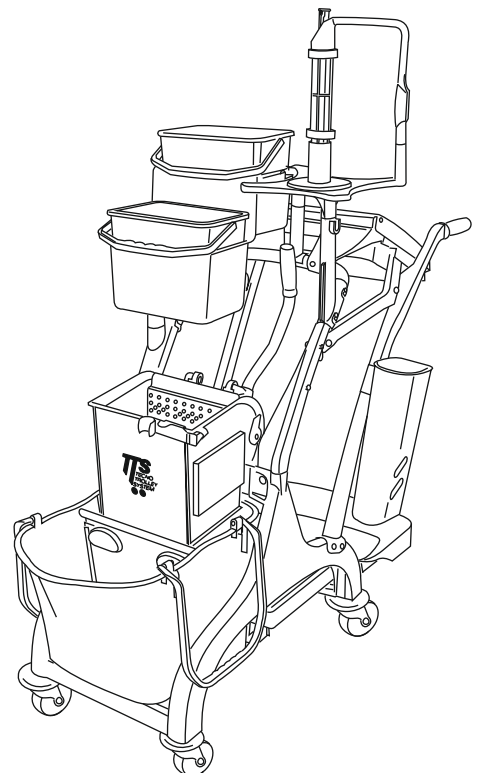
ART. 00006720



ART. 00K36749



ART. OPK66759



ART. OP036769