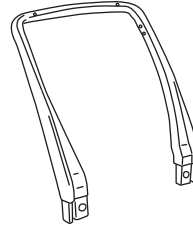
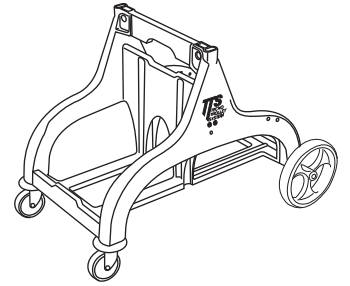


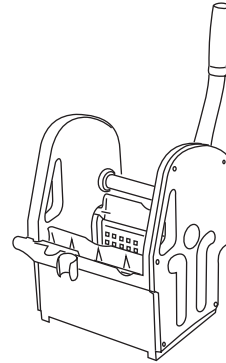
ART. 00K06729



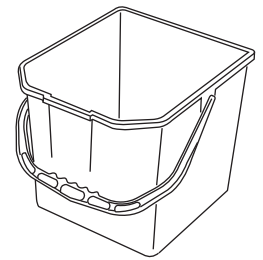
ART. 3310



ART. L130085



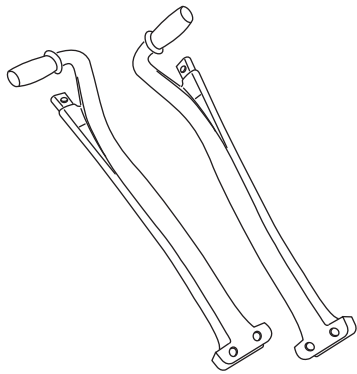
ART. 3724



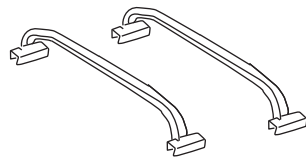
ART. 000B3500

KIT PORTASACCO

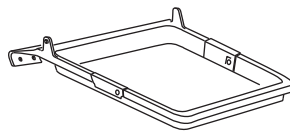
ART. S070148



ART. S070140

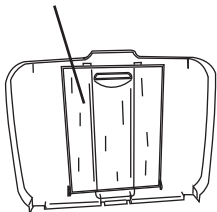


ART. S080090



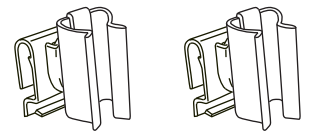
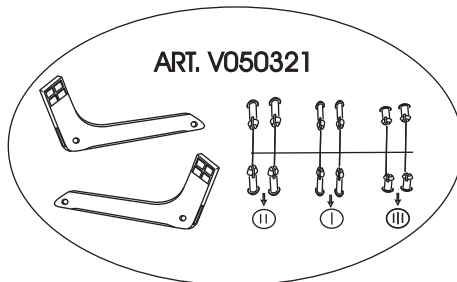
ART. S070141

ART. S070152

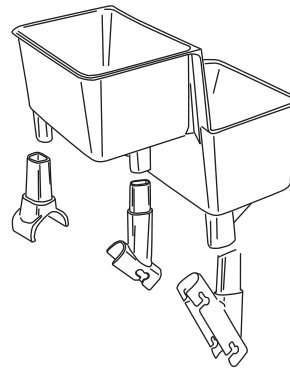


ART. S070142

ART. V050321



ART. 3583



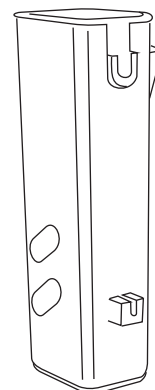
ART. S030305



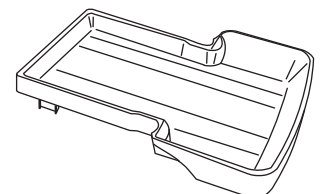
ART. 3361



ART. 3362

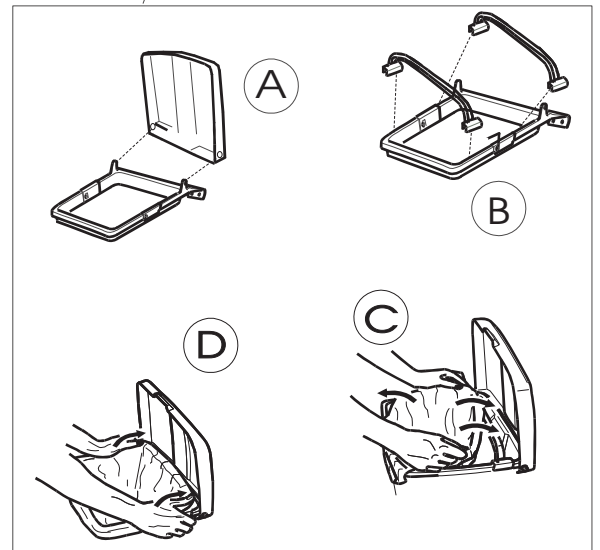
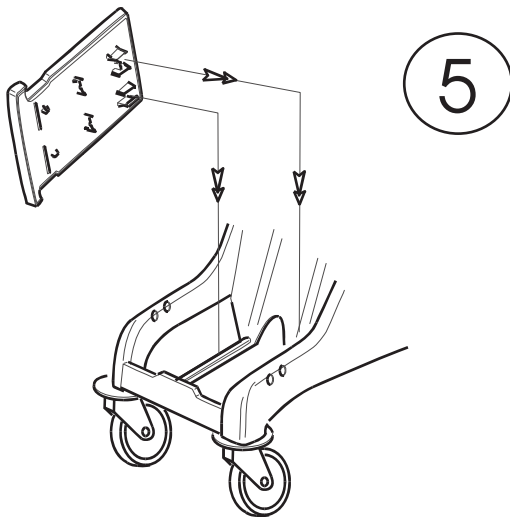
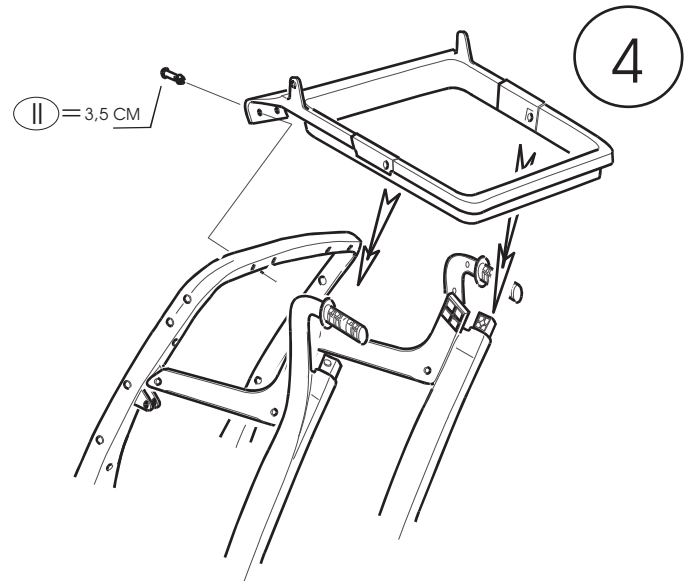
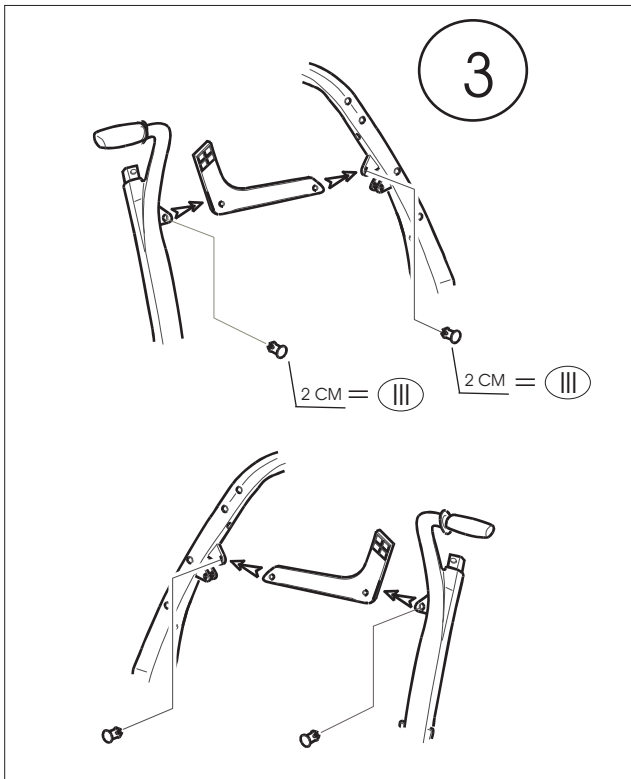
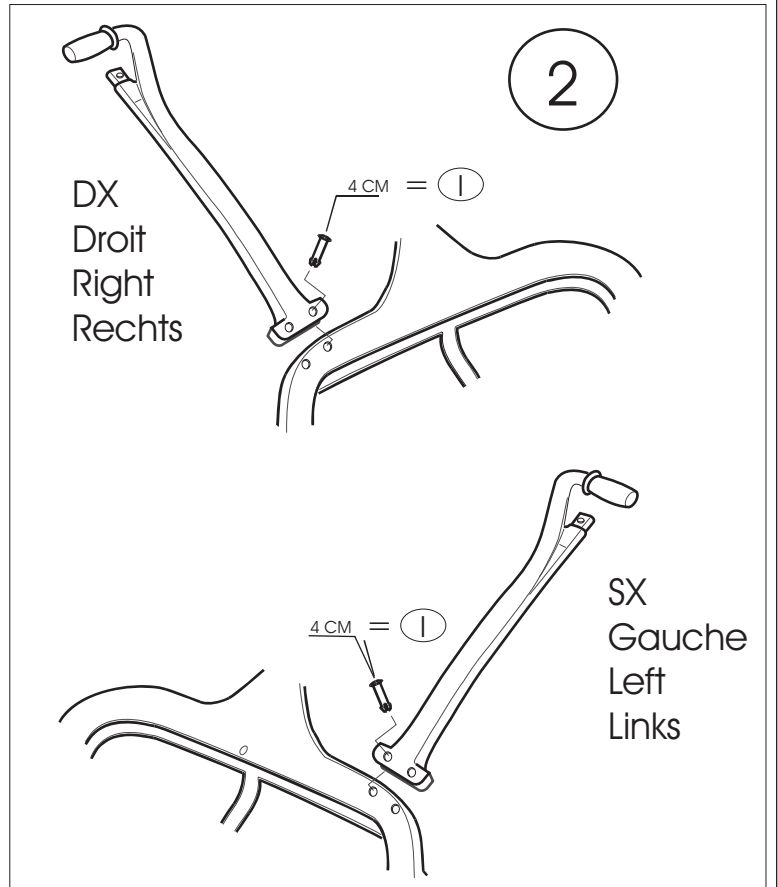
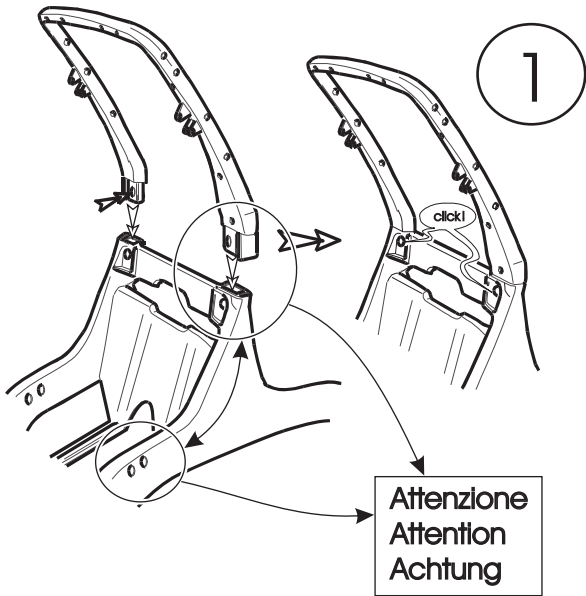


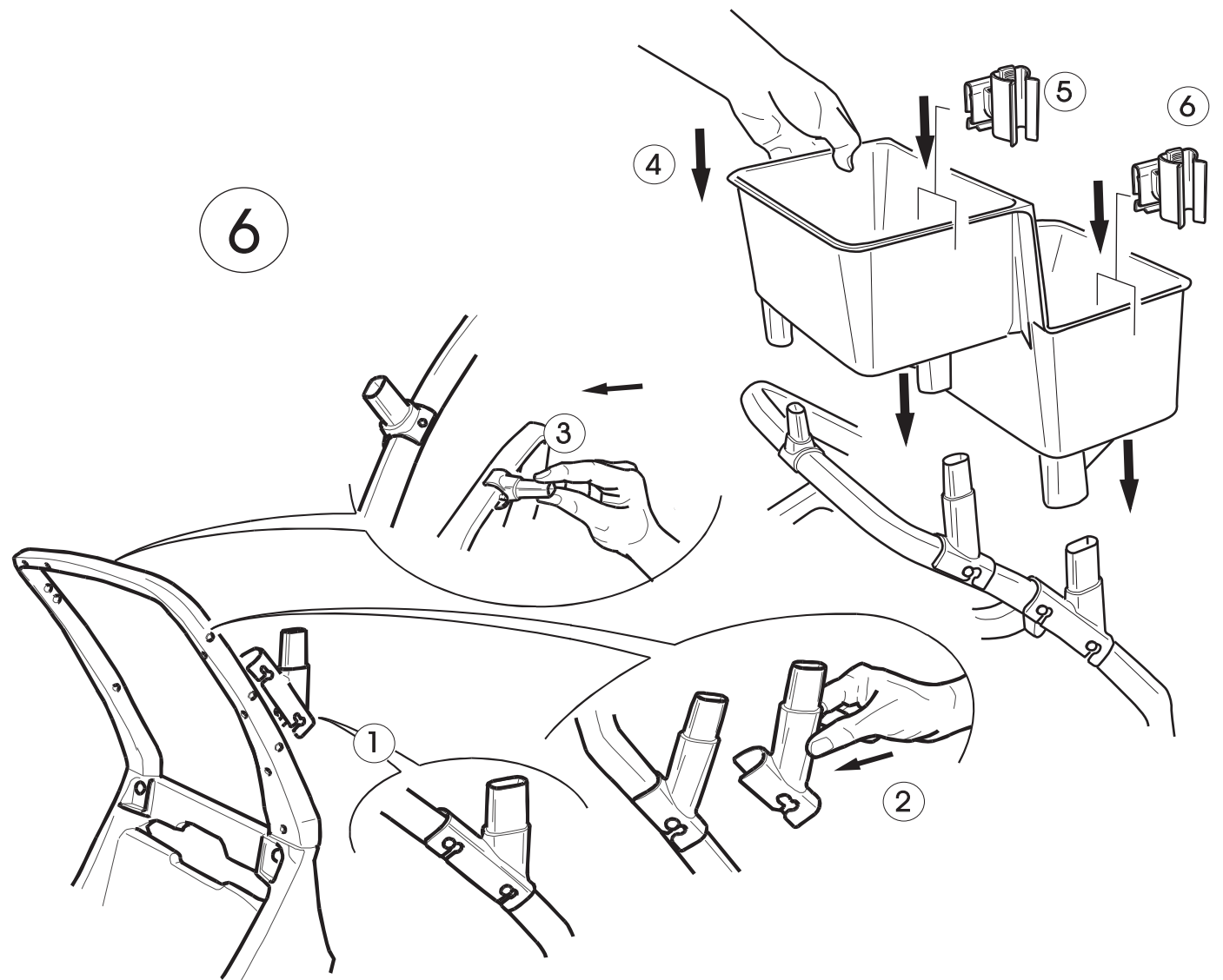
ART. S070235

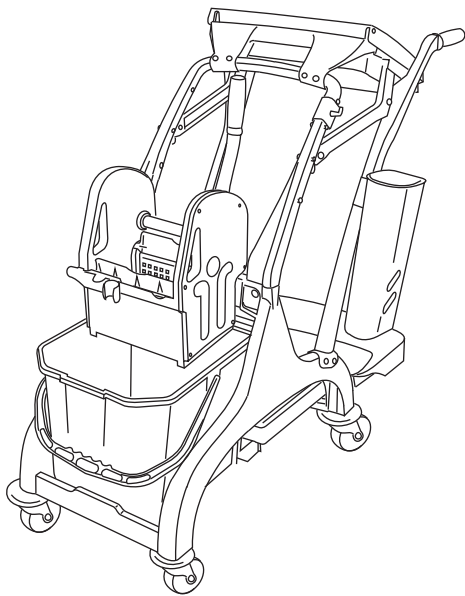


ART. S070143

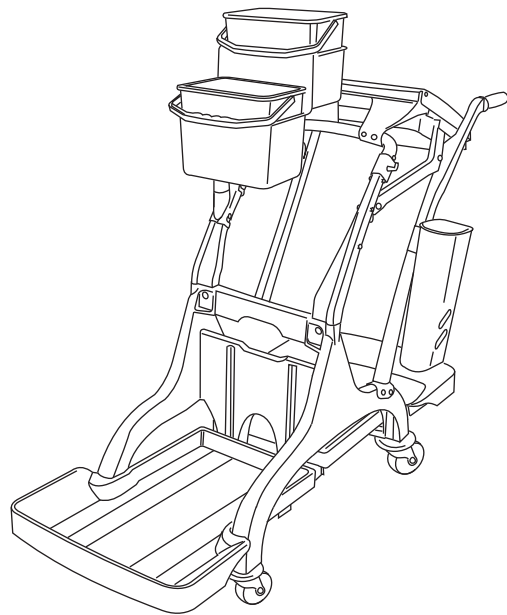
	ASSEMBLY INSTRUCTION SCHEDA DI MONTAGGIO	REV.2	DATE - DATA 21/02/05
	CODE - CODICE 00K06729	APPROVAL APPROVAZIONE	
PRODUCT - PRODOTTO NICK STAR			



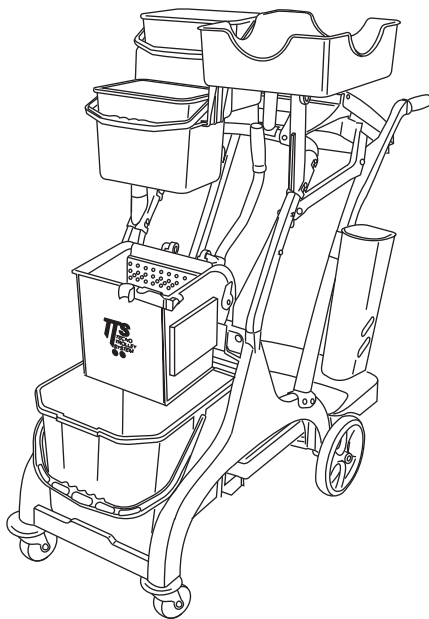




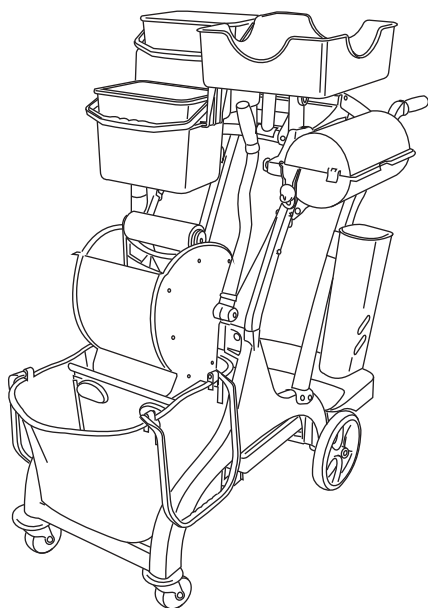
ART. 00006709



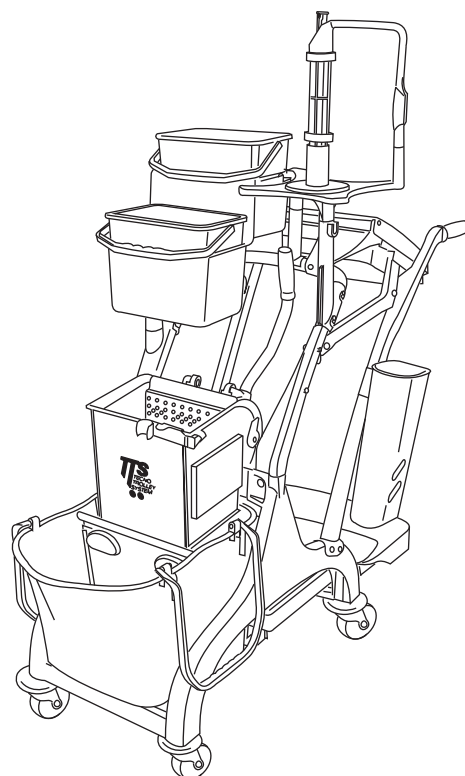
ART. 00006720



ART. 00K36749



ART. OPK66759



ART. OP036769