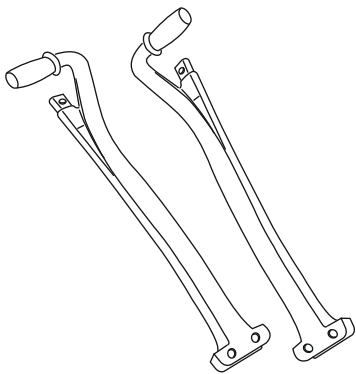


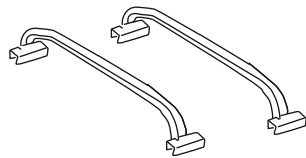
ART. 00006720

KIT PORTASACCO

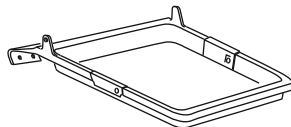
ART. S070148



ART. S070140

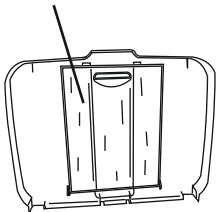


ART. S080090



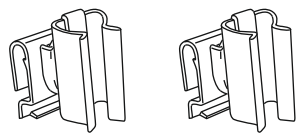
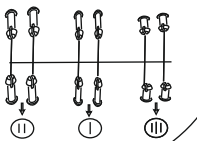
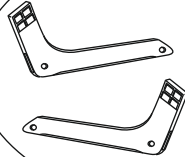
ART. S070141

ART. S070152



ART. S070142

ART. V050321



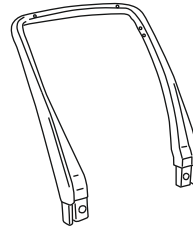
ART. 3583



ART. 3361



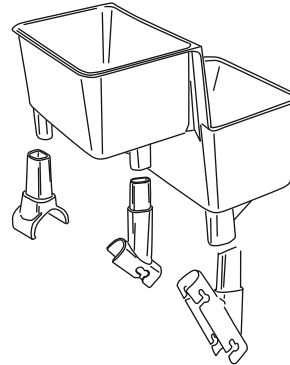
ART. 3362



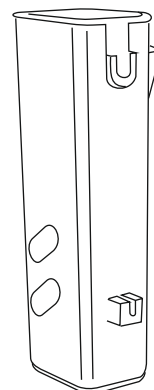
ART. 3310



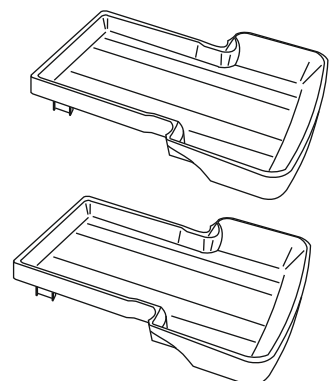
ART. L030085



ART. S030305

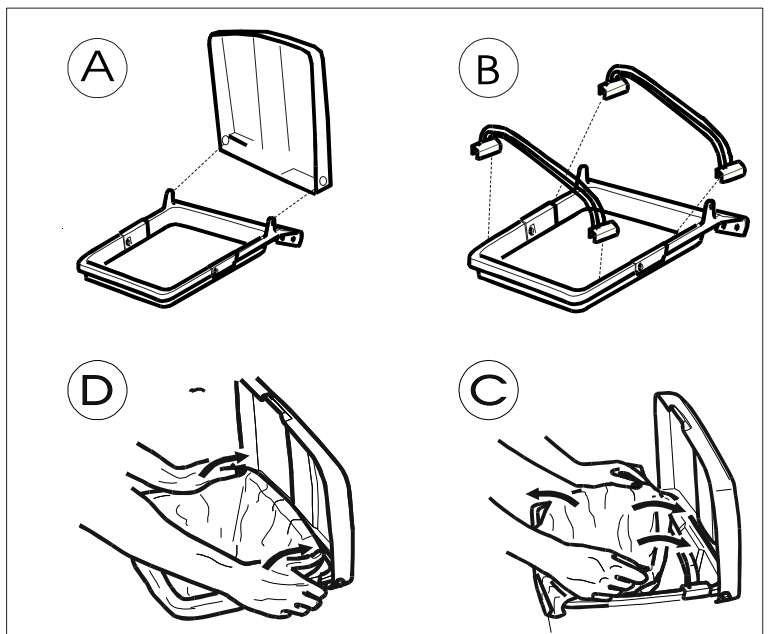
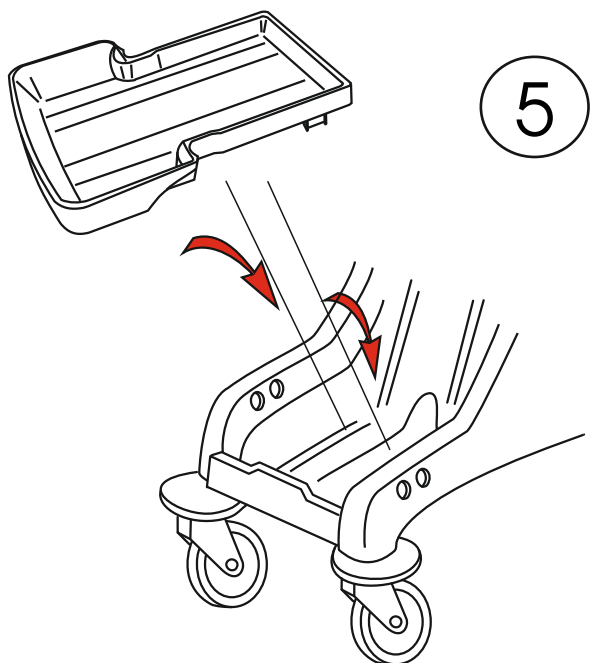
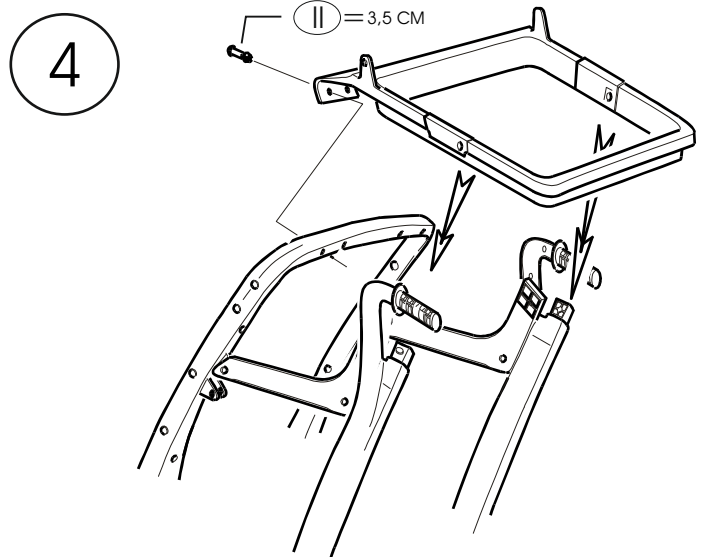
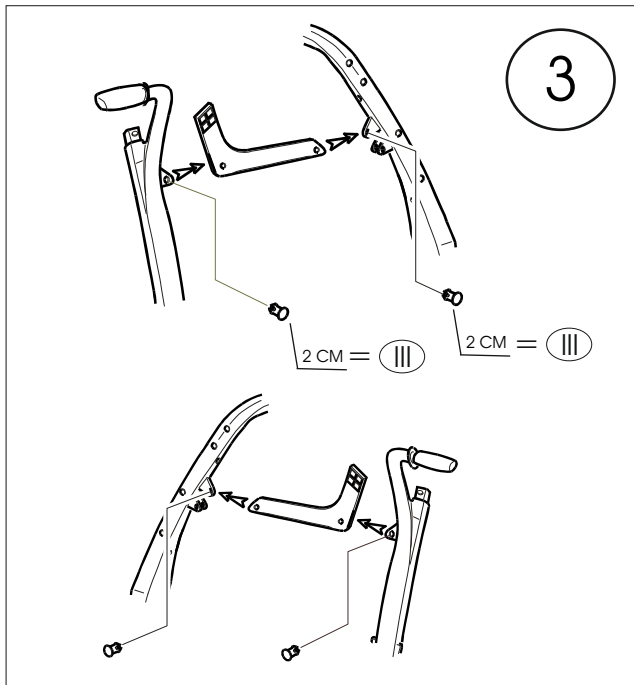
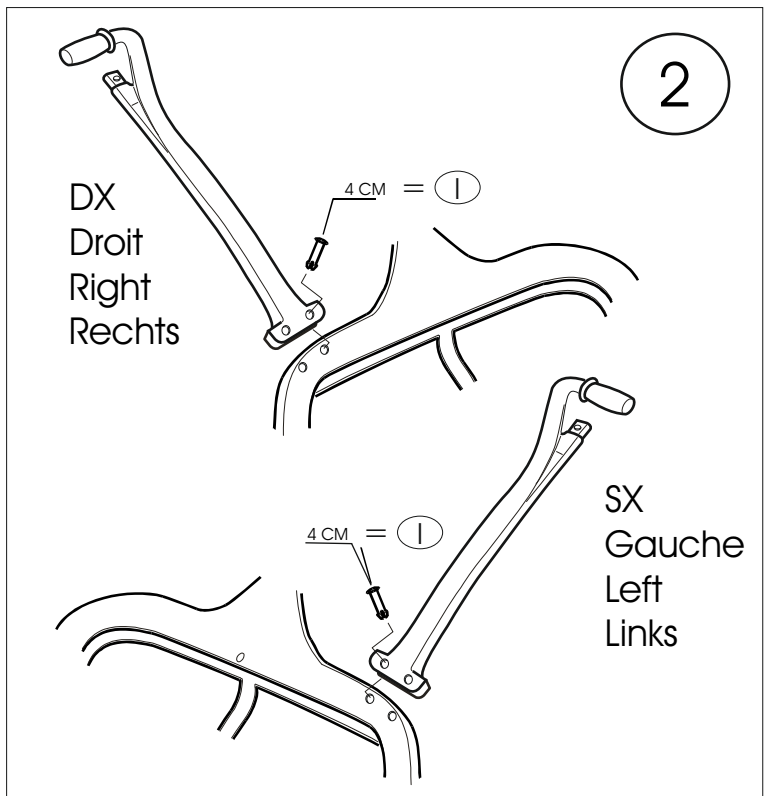
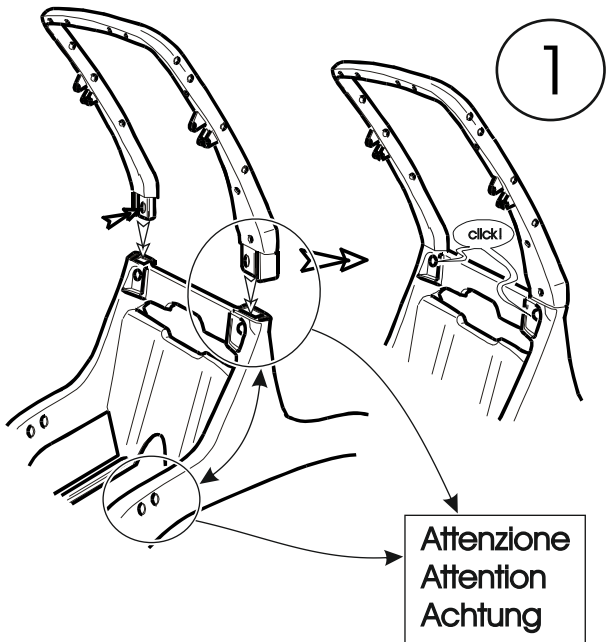


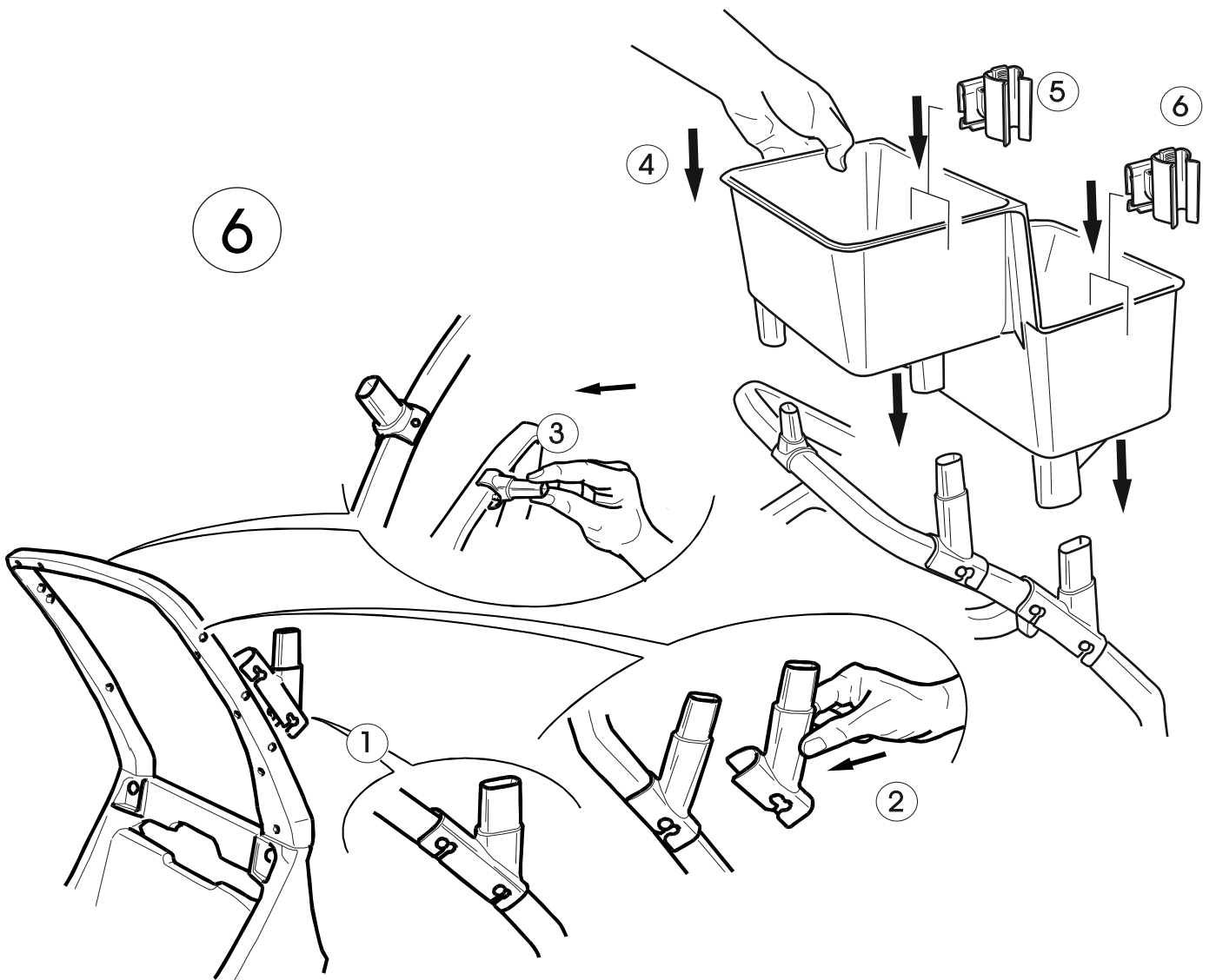
ART. S070235



ART. S070143

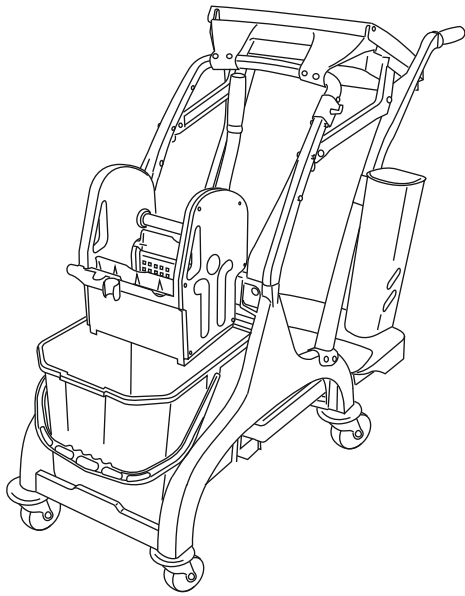
	ASSEMBLY INSTRUCTION SCHEDA DI MONTAGGIO	REV. 02	DATE - DATA 21/02/05
	CODE - CODICE 00006720	APPROVAL APPROVAZIONE	
PRODUCT - PRODOTTO NICK STAR			



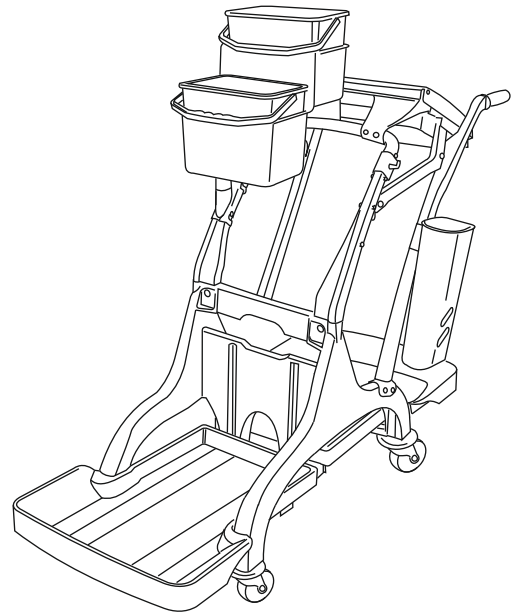




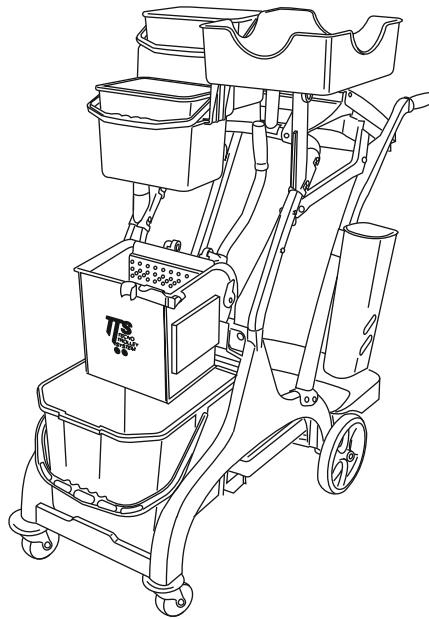
N I C K
S T A R



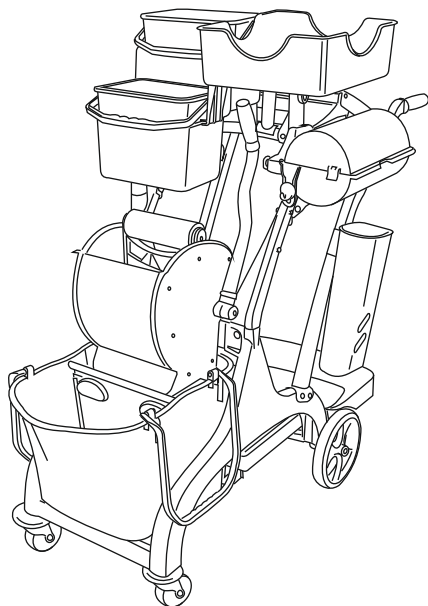
ART. 00006709



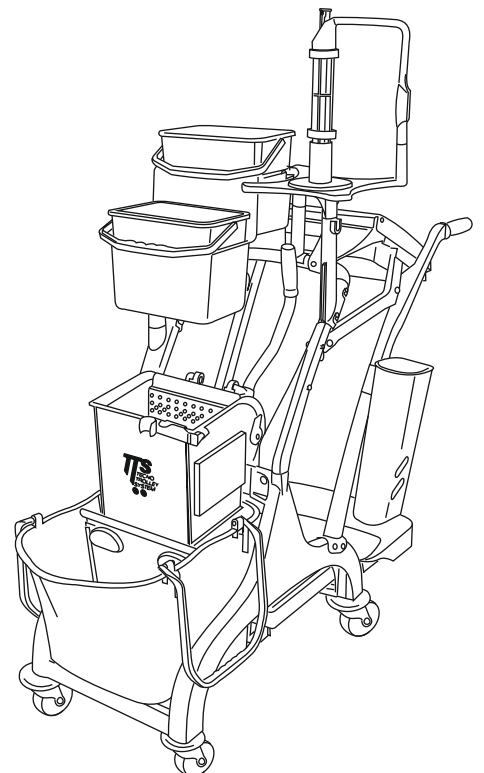
ART. 00006720



ART. 00K36749



ART. OPK66759



ART. OP036769