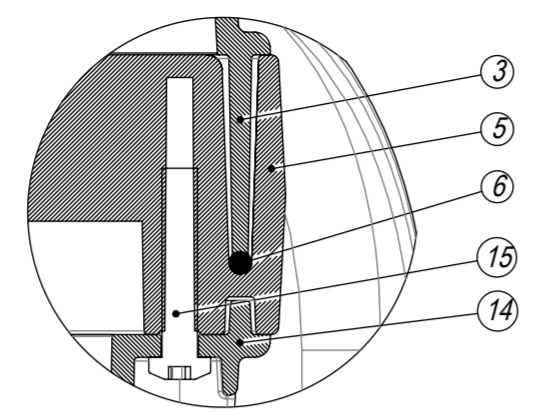
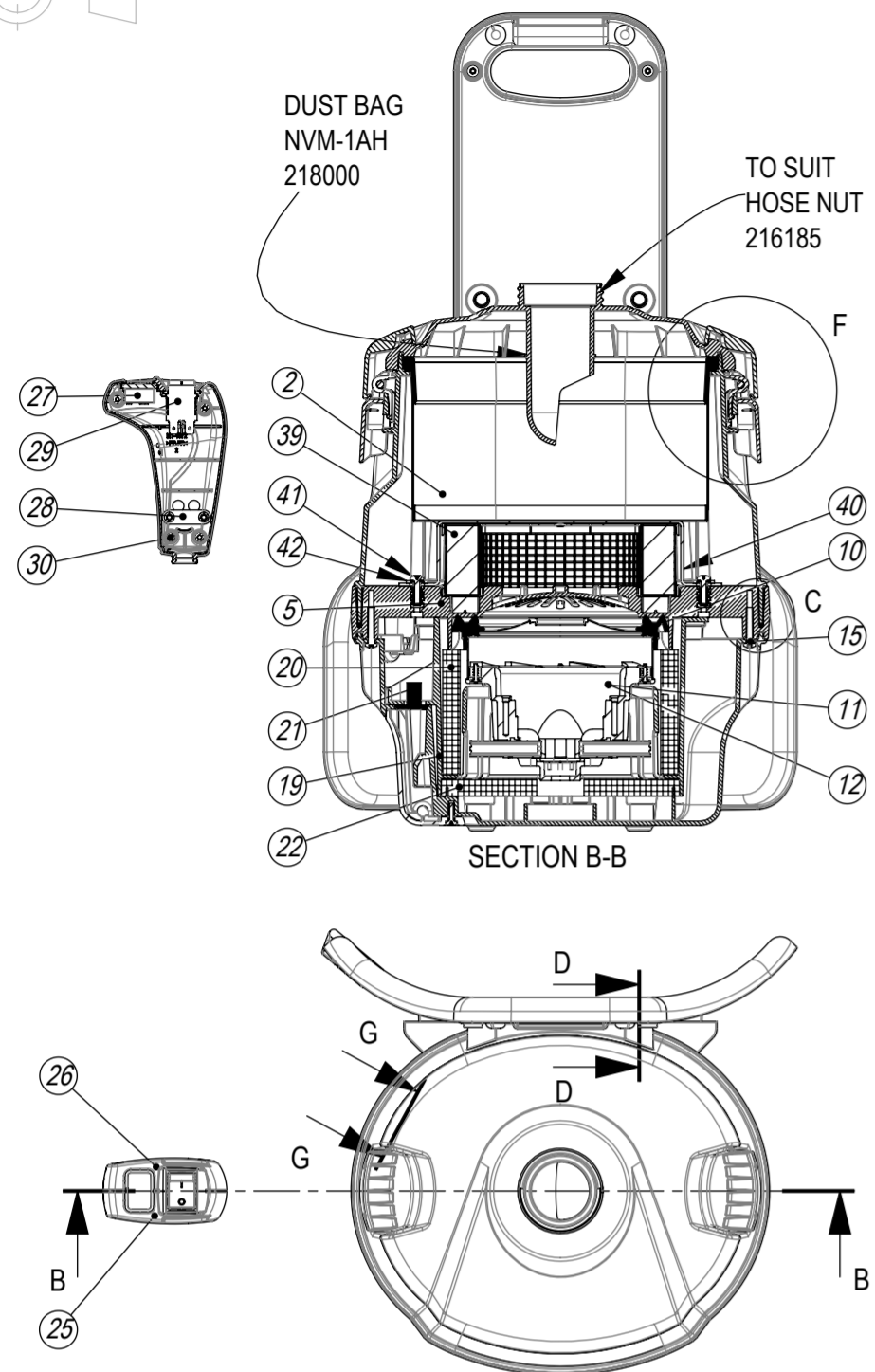
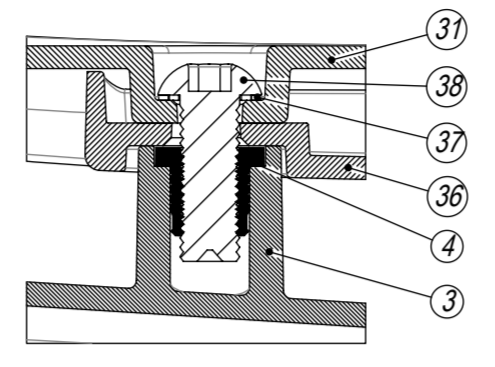


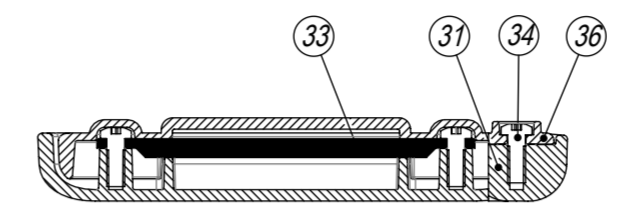
THIRD ANGLE PROJECTION



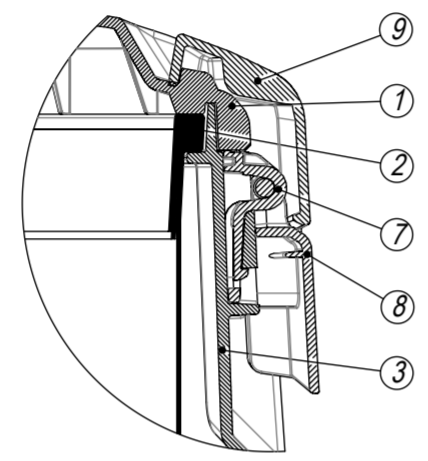
FOAM CORD SEAL
DETAIL C
SCALE 1 : 1



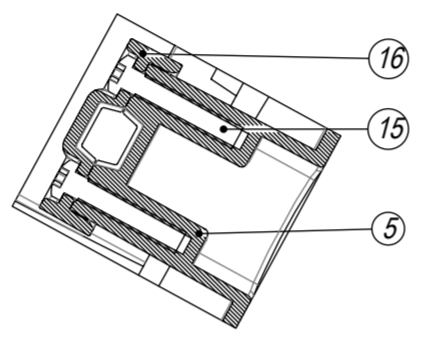
BACK SUPPORT MOUNTS
SECTION D-D
SCALE 1 : 1



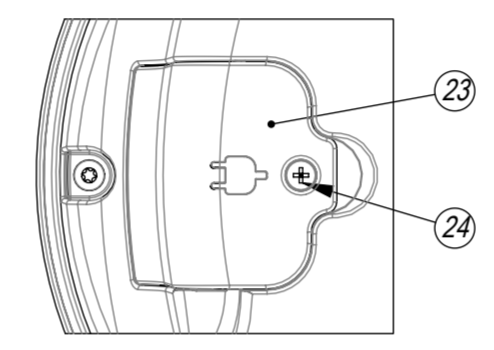
HARNESS MOUNTING
SECTION E-E
SCALE 1 : 2



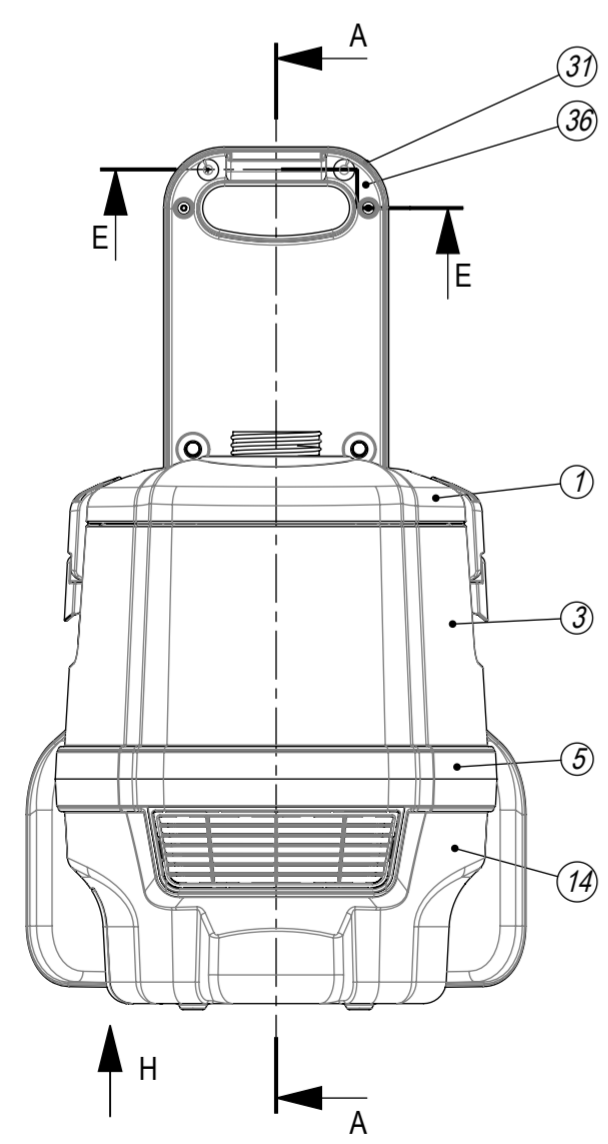
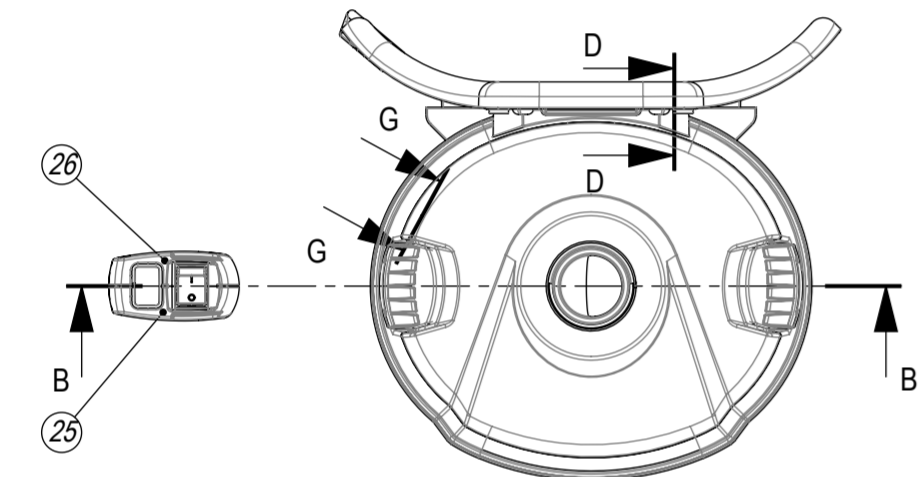
TOGGLES x2 PLCS
DETAIL F
SCALE 1 : 2



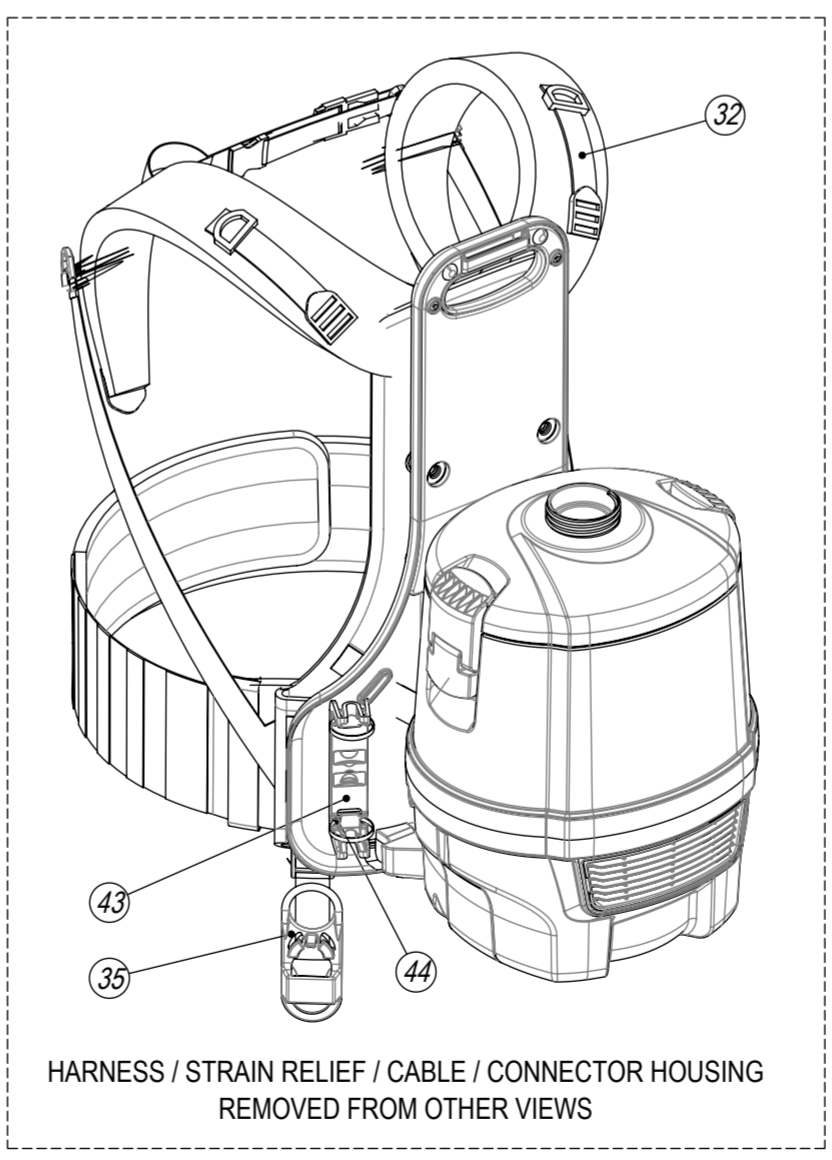
CABLE RETAINER
SECTION G-G
SCALE 2 : 3



PLUG ACCESS PANEL
VIEW H
SCALE 1 : 2

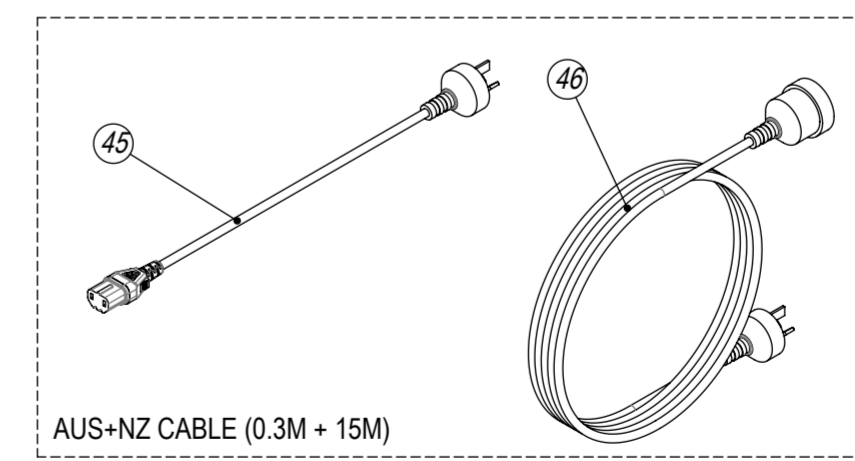


SECTION A-A

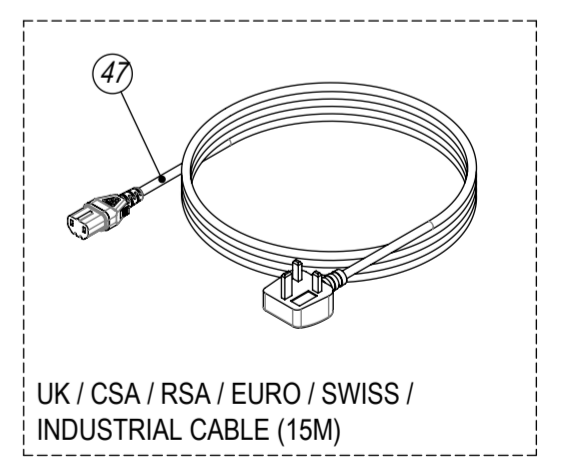


HARNESS / STRAIN RELIEF / CABLE / CONNECTOR HOUSING
REMOVED FROM OTHER VIEWS

ITEM NO.	PART NUMBER	DESCRIPTION	QTY	COMMENTS:
1	910932	DUST CONTAINER LID	1	
2	910945	SHORT BACKPACK TRITEX FILTER (WITH PRE-FILTER)	1	
3	910928	DUST CONTAINER - SHORT	1	
4	219453	M8 MULTISERT	2	
5	910923	DUST CONTAINER BASE (WITH BRASS INSERTS)	1	
6	910940	SILICONE FOAM CORD SEAL	1	
7	910953	TOGGLE RETAINER	2	SNAP TOGGLE ASSEMBLIES INTO DUST CONTAINER
8	910971	TOGGLE LEVER	2	
9	910927	TOGGLE LATCH	2	
10	237089	BOTTOM MOTOR GASKET - CUP MOTOR	1	
11	908947	230V SINGLE STAGE TF MOTOR (DLI 653T) TCO (6210820147)	1	V16, V30, V69, V81 & V83
12	205291	120V SINGLE STAGE THRO FLOW FAN MOTOR (DL1651T) TCO (620)	1	V37 & V69
13	901614	MOUNT-MOTOR	2	
14	911250	CORDED BASE COVER	1	
15	291082	#8 SCREW 1" L T20 PAN HEAD P/L THREAD FORMING	11	TORQUE TO 2.6Nm ±1.5
16	911248	CORDED CABLE RETAINER	1	
17	911004	RUCKSACK EXHAUST FOAM	1	
18	910950	EXHAUST GRILL	1	
19	911247	CORDED AIRGUIDE	1	
20	911310	SIDE MOTOR FELT	1	
21	230204	NUC18S INLET - VOLEX	1	
22	911788	MOTOR TOP FOAM	1	
23	911361	PLUG ACCESS PANEL	1	
24	219569	No8 X 1/2 INCH LONG POZI PAN STAINLESS STEEL PLASTITE SCREW	1	TORQUE TO 2.6Nm ±1.5
25	237722	RSV/RSB REMOTE SWITCH HOLDER - LH SIDE	1	
26	237723	RSV/RSB REMOTE SWITCH HOLDER - RH SIDE	1	
27	237082	BLANKING PLUG - ROCKER SWITCH	1	
28	392305	REMOTE CABLE CLAMP	1	
29	902381	ILLUMINATED RED ROCKER SWITCH	1	
30	219667	No6 X 1/2" LONG PLASTITE SCREW	6	TORQUE TO 1.6Nm ±1.5
31	911051	BACK SUPPORT MOULDING (WITHOUT MOUNTING FEATURE)	1	
32	912533	RUCKSACK HARNESS - RSB150/RSV150 (RED)	1	ALL OTHER VARIATIONS V53 ONLY
33	206353	HARNESS PIN	1	
34	291152	NO8. 1/2 INCH LG. T20. SCREW Z/PL. PLASTITE	4	FOR 2x HARNESS PIN SCREWS ONLY: TORQUE TO 1.6Nm ±1.5 ALL OTHER SCREWS: TORQUE TO 2.6Nm ±1.5
35	902312	CABLE STRESS RELIEF	1	
36	911002	BACK SUPPORT INSERT	1	
37	219018	M8 SHAKEPROOF WASHER	2	
38	219658	M8 X 22MM LONG SOCKET BOLT	2	TORQUE TO 2.6Nm ±1.5
39	901647	H13 FILTER ASSEMBLY (HZ)	1	
40	911013	PRE-MOTOR FILTER BRACKET	1	
41	219045	M5 X 16MM LONG POZI PAN SEMS SCREW	2	
42	219005	M5 FORM G WASHER	2	
43	911290	CABLE CONNECTOR HOUSING	2	V81 ONLY
44	220007	BLACK CABLE TIE	1	V81 ONLY
45	910473	0.3MT X 1MM X 2CORE CABLE (NUC17S + PLUG) AUS+NZ PLUG	1	V81 ONLY
46	910477	15MT X 1MM X 3CORE EXTENSION CABLE AUS+NZ PLUG	1	V81 ONLY
47	910610	15MT X 1MM X 2CORE CABLE (NUC17S + PLUG) UK PLUG	1	V16 ONLY
	911347	15MT X 1MM X 2CORE CABLE (NUC17S + PLUG) EURO PLUG		V30 ONLY
	911346	15MT X 1MM X 2CORE CABLE (NUC17S + PLUG) SWISS PLUG		V53 ONLY
	912333	15MT X 1MM X 2CORE CABLE (NUC17S + PLUG) CSA PLUG		V69 ONLY
	910481	15MT X 1MM X 2CORE CABLE (NUC17S + PLUG) RSA PLUG		V83 ONLY
	911466	15MT X 1MM X 2CORE CABLE (NUC17S + PLUG) INDUSTRIAL PLUG		V37 ONLY



AUS+NZ CABLE (0.3M + 15M)



UK / CSA / RSA / EURO / SWISS / INDUSTRIAL CABLE (15M)

Numatic INTERNATIONAL LTD
MILLFIELD ROAD, CHARD, SOMERSET TA20 2GB ENGLAND

THE EXAMPLE SHOWN DETAILS THE METHOD USED FOR IDENTIFYING CRITICAL (INSPECTION) DIMENSIONS WHERE APPLICABLE

TOLERANCES:-
(UNLESS OTHERWISE STATED)

LINEAR: 0 DECIMAL PLACE = +/- 1.0mm
1 DECIMAL PLACE = +/- 0.25mm
2 DECIMAL PLACES = +/- 0.05mm

ANGULAR:-
+/- 0.5 DEGREE

Any Component that will be touched by the operator must be PAH tested.
This article must not contain greater than 0.1% w/w of substances that are on the candidate list for Annex XIV of the REACH regulations
All components must be ROHS compliant.

GENERAL ASSEMBLY

TOOL NUMBER: N/A

WEIGHT: N/A

TITLE: RSV150H (CORDED BACKPACK WITH PRE-FILTER) - GA / EXPLODED DRAWINGS

DIMENSIONS IN MILLIMETERS: NOT TO SCALE

MATERIAL:- SEE TABLE
ITEM No(s):- 911323,911322,911321,911320,911319,911318,911465
DRG No:-

A09 UPDATE RSV150H BOLTS
REVISION: CHANGE DETAIL:

Lewis Manuel LM 26/10/2020
DRAWN: APPD: DATE:

THIS DRAWING IS COPYRIGHT AND IS THE PROPERTY OF NUMATIC INTERNATIONAL LTD. AND MUST NOT BE USED WITHOUT THEIR KNOWLEDGE NOR COMMUNICATED TO ANY PERSON OR COMPANY.

PRINT SIZE: A2

FINISH:- N/A

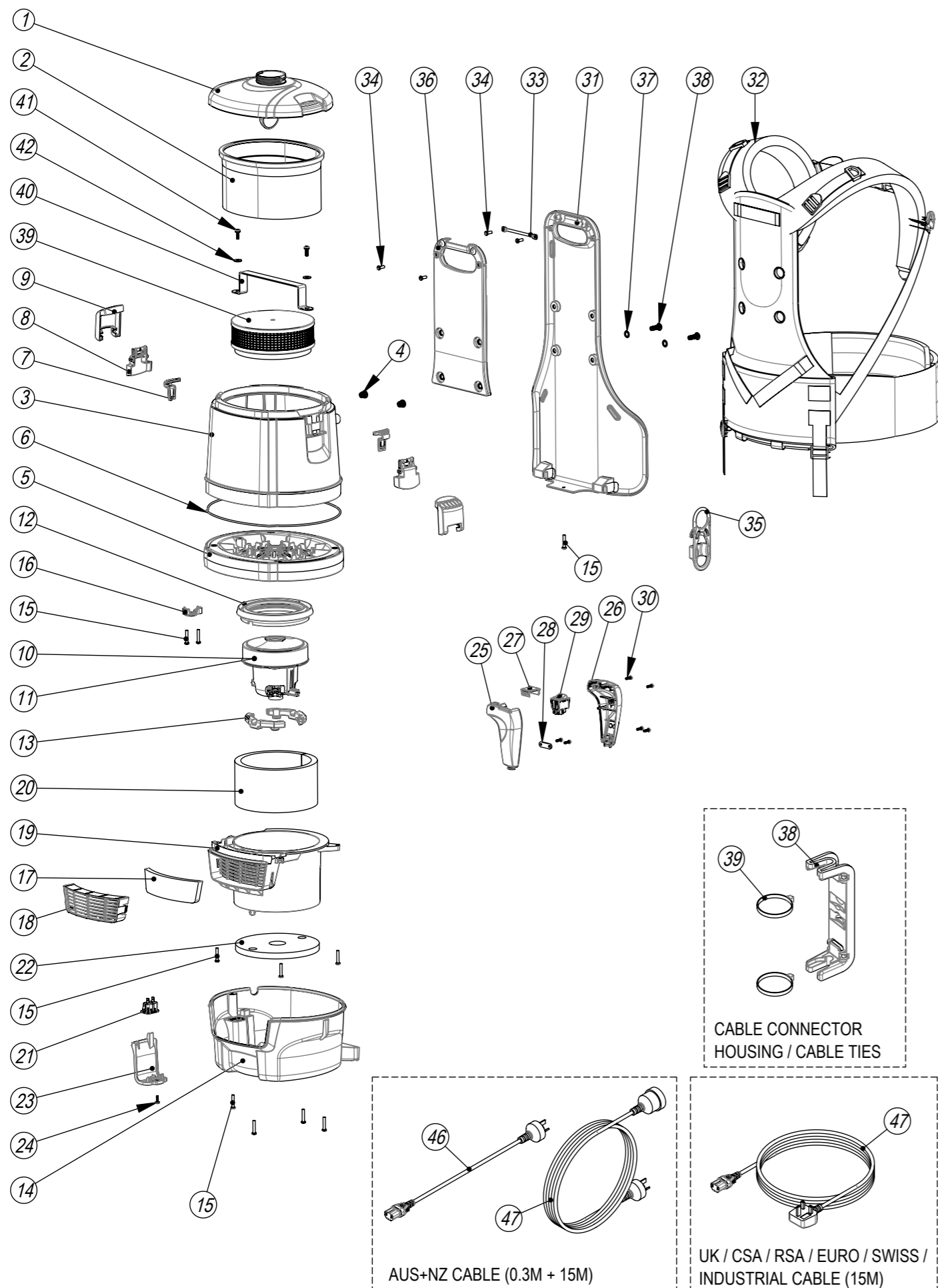
DRW-31749

Numatic International Spare Parts

Model No: RSV150H (CORDED BACKPACK WITH PRE-FILTER) - GA / EXPLODED DRAWINGS

911323,911322,911321,911320,911319,911318
 ,911465 DRAWING: DRW-31749 ISS:A09
 06/09/2019

NB: FOR WIRING SEE DRAWING: DRW-31938 & DRW-31941

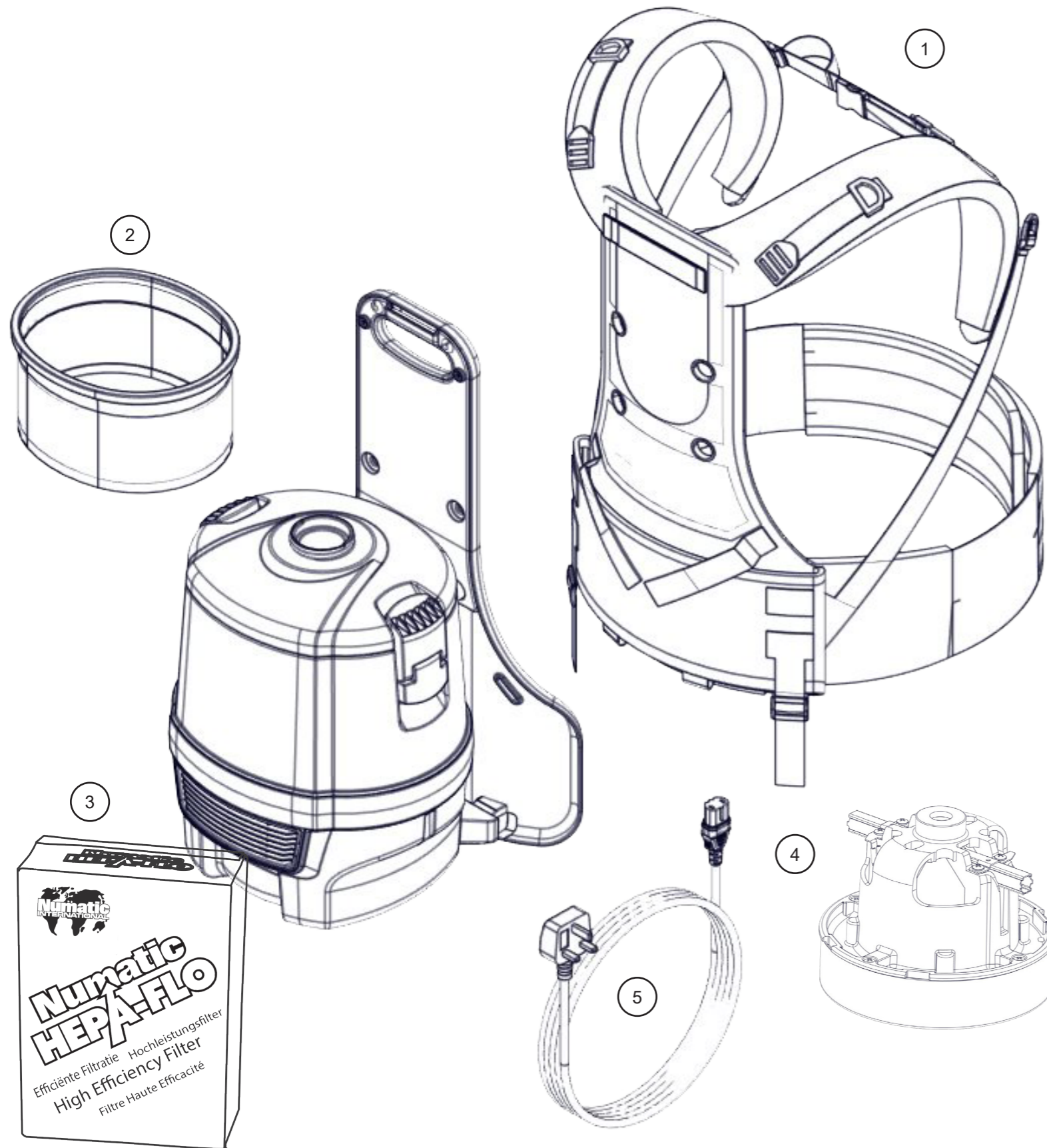


Numatic International Spare Parts

Model No: RSV150H (CORDED BACKPACK WITH PRE-FILTER) - GA / EXPLODED DRAWINGS

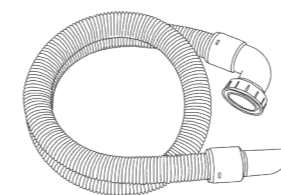
ITEM NO.	PART NO.	DESCRIPTION	QTY	COMMENTS:
1	910932	DUST CONTAINER LID	1	
2	910945	SHORT BACKPACK TRITEX FILTER (WITH PRE-FILTER)	1	
3	910928	DUST CONTAINER - SHORT	1	
4	219453	M8 MULTISERT	2	
5	910923	DUST CONTAINER BASE (WITH BRASS INSERTS)	1	
6	910940	SILICONE FOAM CORD SEAL	1	
7	910953	TOGGLE RETAINER	2	SNAP TOGGLE ASSEMBLIES INTO DUST CONTAINER
8	910971	TOGGLE LEVER	2	
9	910927	TOGGLE LATCH	2	
10	908947	230V SINGLE STAGE TF MOTOR (DLI 653T) TCO (6210820147)	1	V16, V30, V69, V81 & V83
11	205291	120V SINGLE STAGE THRO FLOW FAN MOTOR (DL1651T) TCO (620)	1	V37 & V69
12	237089	BOTTOM MOTOR GASKET - CUP MOTOR	1	
13	901614	MOUNT-MOTOR	2	
14	911250	CORDED BASE COVER	1	
15	291082	#8 SCREW 1"L T20 PAN HEAD P/L THREAD FORMING	11	TORQUE TO 2.6Nm ±1.5
16	911248	CORDED CABLE RETAINER	1	
17	911004	RUCKSACK EXHAUST FOAM	1	
18	910950	EXHAUST GRILL	1	
19	911247	CORDED AIRGUIDE	1	
20	911310	SIDE MOTOR FELT	1	
21	230204	NUC18S INLET - VOLEX	1	
22	911788	MOTOR TOP FOAM	1	
23	911361	PLUG ACCESS PANEL	1	
24	219569	No8 X 1/2 INCH LONG POZI PAN STAINLESS STEEL PLASTITE SCREW	1	TORQUE TO 2.6Nm ±1.5
25	237722	RSV/RSB REMOTE SWITCH HOLDER - LH SIDE	1	
26	237723	RSV/RSB REMOTE SWITCH HOLDER - RH SIDE	1	
27	237082	BLANKING PLUG - ROCKER SWITCH	1	
28	392305	REMOTE CABLE CLAMP	1	
29	902381	ILLUMINATED RED ROCKER SWITCH	1	
30	219667	No6 X 1/2" LONG PLASTITE SCREW	6	TORQUE TO 1.6Nm ±1.5
31	911051	BACK SUPPORT MOULDING (WITHOUT MOUNTING FEATURE)	1	
32	912533	RUCKSACK HARNESS - RSB150/RSV150 (RED)	1	ALL OTHER VARIATIONS V53 ONLY
	912627	RUCKSACK HARNESS - RSB150/RSV150 (BLACK)		
33	206353	HARNESS PIN	1	
34	291152	NO8.1/2 INCH LG.T20.SCREW.Z/PL.PLASTITE	4	FOR 2x HARNESS PIN SCREWS ONLY: TORQUE TO 1.6Nm ±1.5 ALL OTHER SCREWS: TORQUE TO 2.6Nm ±1.5
35	902312	CABLE STRESS RELIEF	1	
36	911002	BACK SUPPORT INSERT	1	
37	219018	M8 SHAKEPROOF WASHER	2	
38	219658	M8 X 22MM LONG SOCKET BOLT	2	TORQUE TO 2.6Nm ±1.5
39	901647	H13 FILTER ASSEMBLY (HZ)	1	
40	911013	PRE-MOTOR FILTER BRACKET	1	
41	219045	M5 X 16MM LONG POZI PAN SEMS SCREW	2	
42	219005	M5 FORM G WASHER	2	
43	911290	CABLE CONNECTOR HOUSING	1	V81 ONLY
44	220007	BLACK CABLE TIE	2	V81 ONLY
45	910473	0.3MT X 1MM X 2CORE CABLE (NUC17S + PLUG) AUS+NZ PLUG	1	V81 ONLY
46	910477	15MT X 1MM X 3CORE EXTENSION CABLE AUS+NZ PLUG	1	V81 ONLY
47	910610	15MT X 1MM X 2CORE CABLE (NUC17S + PLUG) UK PLUG	1	V16 ONLY
	911347	15MT X 1MM X 2CORE CABLE (NUC17S + PLUG) EURO PLUG		V30 ONLY
	911346	15MT X 1MM X 2CORE CABLE (NUC17S + PLUG) SWISS PLUG		V53 ONLY
	912333	15MT X 1MM X 2CORE CABLE (NUC17S + PLUG) CSA PLUG		V69 ONLY
	910481	15MT X 1MM X 2CORE CABLE (NUC17S + PLUG) RSA PLUG		V83 ONLY
	911466	15MT X 1MM X 2CORE CABLE (NUC17S + PLUG) INDUSTRIAL PLUG		V37 ONLY

Exploded Spare Parts RSV150

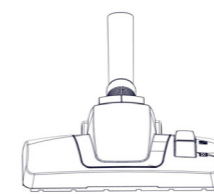


Num	Description				Num
1	RUCKSACK HARNESS - RSB150/RSV150 (RED)				912533
2	SHORT BACKPACK TRITEX FILTER				910915
3	NVM-1AH INDIVIDUAL HEPAFLO FILTER BAG (RSV130)				604018
4	230V SINGLE STAGE TF MOTOR (DLI 653T) TCO (6210820147)				908947
5	15MT X 1MM X 2CORE CABLE UK PLUG	910610	5	15MT X 1MM X 2CORE CABLE YELLOW AUS+NZ PLUG	910477
5	15MT X 1MM X 2CORE CABLE EURO PLUG YELLOW JACKET	911347	5	15MT X 1MM X 2CORE CABLE RSA PLUG YELLOW JACKET	910481
5	15MT X 1MM X 2CORE CABLE SWISS PLUG YELLOW JACKET	911346	5	CSA/USA 10A.2PIN PLUG SJT (105 DEG) 2 X 18AWG.15M.22205 YELLOW	912333

Genuine Accessories (Kit AAT30E(270))



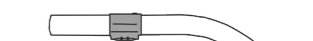
913003 RSV/RSB Threaded Hose



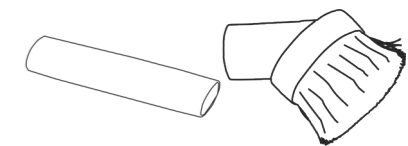
902923 (270)
Combination Floor Tool



914759 Ali Telescopic Wand



601214 Ali BLK Wand



909564 Handy Kit



Numatic International Limited, Chard, Somerset, TA20 2GB
Telephone: 01460 68600
Fax: 01460 68458

UNITED KINGDOM: www.numatic.co.uk
NETHERLANDS: www.numatic.nl
PORTUGAL: www.numatic.pt

GERMANY: www.numatic.de
SWITZERLAND: www.numatic.ch
SPAIN: www.numatic.es

FRANCE: www.numatic.fr
SOUTH AFRICA: www.numatic.co.za

www.numatic.co.uk

Specification subject to change without prior notice
www.numatic.co.uk © Numatic International Limited

MED-000933 02/22 (A02)