

USE AND MAINTENANCE MANUAL

 **FIMAP®**



GAMMA 66 – 83II

ED. 02-2010

EN

ORIGINAL
INSTRUCTIONS
Doc. 10022323
Ver. AB



The contained descriptions in the present publication are not binding. The company therefore reserves itself the right to bring in whatever moment possible organs changes, details or supplies of accessories, that it holds convenient for an improvement, or for any demand of constructive or commercial character.

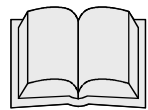
The partial reproduction of the texts and diagrammes contained in the present catalog, is forbidden by law.

The company reserves itself the right to bring changes of technical character and/or of endowment. The images are meant of pure reference and not binding in terms of design and endowment.

Symbols used in the manual



Symbol of the book open with letter i
It points out that this document is a manual of instructions.



Symbol of the open book
It points out to the operator to read the manual of use before using the machine.



Symbol of warning
Read attentively the sections preceded by this symbol for the safety of the operator and the machine



CONTENTS

ON CONSIGNMENT OF THE MACHINE	4
INTRODUCTORY COMMENT	4
TECHNICAL FEATURES	5
SYMBOLS USED ON THE MACHINE	6
SYMBOLS USED ON THE MANUAL	8
GENERAL SAFETY REGULATIONS	9
MACHINE PREPARATION	10
1. MOVING THE PACKAGED MACHINE	10
2. HOW TO UNPACK THE MACHINE	10
3. CONNECTING THE DRIVE MOTOR CABLE	10
4. PUTTING THE BATTERIES IN THE MACHINE	11
5. CONNECTING THE BATTERY CONNECTOR	11
6. CONNECTING THE BATTERY CHARGER	11
7. BATTERY RECHARGING	12
8. BATTERY CHARGE LEVEL GAUGE	12
9. ASSEMBLING THE SQUEEGEE	13
10. ADJUSTING THE SQUEEGEE	13
11. INSTALLING THE ROTATING BRUSHES	14
12. RECOVERY TANK	15
13. SOLUTION TANK	15
WORK	16
OVERFLOW DEVICE	17
BRUSH PRESSURE	17
TRACTION	17
TRACTION	18
BRAKES	18
UPON COMPLETION OF WORK	19
DAILY MAINTENANCE	20
CLEANING THE RECOVERY TANK	20
CLEANING THE RECOVERY TANK FILTER	20
CLEANING THE SOLUTION TANK FILTERS	21
CLEANING THE SQUEEGEE	22
REPLACING THE REAR SQUEEGEE RUBBER	22
REMOVING THE ROTATING BRUSHES	22
TROUBLE SHOOTING GUIDE	23
INSUFFICIENT WATER TO THE BRUSHES	23
MACHINE DOES NOT CLEAN WELL	23
SQUEEGEE DOES NOT DRY PERFECTLY	23
ASPIRATION UNIT DOES NOT OPERATE	24
TOO MUCH FOAM IS GENERATED	24
CHOICE AND USE OF BRUSHES	25
EC DECLARATION OF CONFORMITY	26



On consignment of the machine

When the machine is consigned to the customer, an immediate check must be performed to ensure all the material mentioned in the shipping documents has been received, and also to check the machine has not suffered damage during transportation. If this is the case, the carrier must ascertain the extent of the damage at once, informing our customer service office. It is only by prompt action of this type that the missing material can be obtained, and compensation for damage successfully claimed.

Introductory comment

This is a floor scrubber-dryer which, via the mechanical action of the rotating brush and the chemical action of a water/detergent solution, can clean any type of flooring. As it advances, it also collects the dirt removed and the detergent solution not absorbed by the floor.

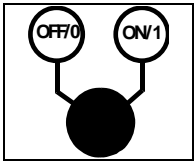
The machine must be used only for this purpose. Even the best machines will only work well if used correctly and kept in good working order. We therefore suggest you read this instruction booklet carefully and re-read it whenever difficulties arise while using the machine. If necessary, remember that our assistance service (organised in collaboration with our dealers) is always available for advice or direct intervention.



Technical features	U/M	Gamma 66	Gamma 83II
Working width	mm	660	830
Width of squeegee	mm	976	1075
Work capacity till	m ² /h	2100	2700
Water consumption	g/m ²	91	91
Brushes	∅ mm	(2) 345	(2) 430
Brush rotations	rpm	200	180
Max brush pressure	kg	80	80
Max specific pressure	g/cm ²	66	37
Brush motor tension	V	36	36
Brush motor power	W	900	1125
Drive motor tension	V	36	36
Drive motor power	W	300	300
Type of drive		aut.	aut.
Forward and reverse speed	km/h	0÷4	0÷4
Max gradient		10%	10%
Suction motor tension	V	36	36
Suction motor power	W	670	670
Suction vacuum	mbar	190	190
Solution tank capacity	l	90	90
Recovery tank capacity	l	120	120
Machine length	mm	1600	1630
Machine height	mm	1100	1100
Machine width	mm	680	850
Battery compartment dimensions	mm	380x840xH365	
Batteries	V/Ah	36/260	36/260
Battery weight	kg	315	315
Total machine weight (excluding batteries)	kg	185	210
Noise level (in compliance with IEC 704/1)	dB (A)	70	70
Harmful Vibration level	m/s ²	0,71	0,70



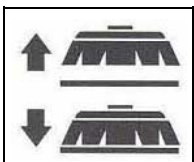
SYMBOLS USED ON THE MACHINE



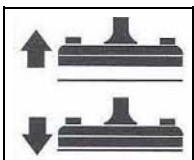
Indicates the general switch



Cock symbol
Indicates the cock open signal lamp



Brush base lift/lower symbol
Indicates the base lift lever



Squeegee lift/lower symbol
Indicates the Squeegee lever



Brush symbol
Indicates the brush motor switch



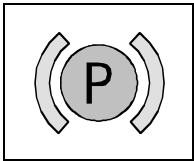
Aspiration motor symbol
Indicates the aspiration motor switch



Battery charge level symbol



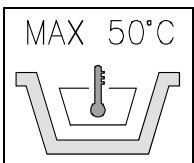
SYMBOLS USED ON THE MACHINE



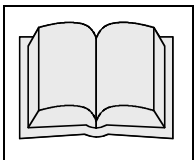
Brake symbol
Indicates the hand brake engaged signal lamp
Used over the emergency brake lever



Brake symbol
Indicates the parking brake disengaged position



Indicates the maximum temperature of the detergent solution
Located near the solution tank inlet



Open book symbol
Used to tell the operator to read the manual before using the machine



SYMBOLS USED ON THE MANUAL



Warning symbol

Carefully read the sections preceded by this symbol, for operator and machine safety



Indicates danger of gas fumes and spillage of corrosive liquids



Indicates fire danger

Do not approach with open flames



GENERAL SAFETY REGULATIONS

The regulations below must be carefully followed in order to avoid harm to the operator and damage to the machine

- Read the labels on the machine carefully. Do not cover them for any reason and replace them immediately if they become damaged
- The machine must be used exclusively by authorised, trained personnel
- During the working of the machine, pay attention to other people and especially to children
- Do not mix different types of detergent as this may produce noxious gases
- Do not place any liquid containers on the machine
- The storage temperature must be between -25°C and +55°C; do not store outdoors in damp conditions
- Conditions of use: room temperature between 0°C and 40°C with relative humidity between 30 and 95%
- Do not use the machine in an explosive atmosphere
- Do not use the machine as a means of transport
- Do not use acid solutions, which may damage the machine or people
- Avoid working with the brushes when the machine is standing still, so as not to damage the floor
- Do not vacuum inflammable liquids
- Do not use the device to collect dangerous powders
- In the event of a fire, use a powder extinguisher. Do not use water
- Do not knock against shelving or scaffolding, where there is a danger of falling objects
- Adjust the speed of using the grip conditions
- Do not use the machine on surfaces with an inclination greater than the one shown on the plate
- When the car is parked, get off the key and engage parking brake
- The machine is designed to carry out the washing and drying operations simultaneously. Different operations should only be carried out in areas where the passage of unauthorised persons is prohibited. Signal the presence of damp floors with suitable signs
- If the machine does not work properly, check this is not caused by failure to carry out routine maintenance. Otherwise, request the intervention of the **FIMAP** technical assistance centre
- If you need to replace any components, request the **ORIGINAL** spare parts from a **FIMAP** dealer and/or Authorised Retailer
- We suggest to use only original brushes, listed in the “CHOOSING AND USING THE BRUSHES” paragraph
- In case of danger, engage quickly the emergency brake
- Before any maintenance, cleaning or part replacement operation, remove the key and the battery connector
- Never remove guards that require tools for removal
- Before using the machine, check that all the hatches and covers are positioned as shown in this Use and Maintenance Manual
- Do not wash the machine with direct water jets or with pressurised water, nor with corrosive substances
- Have your nearest FIMAP service center check on the machine every 200 working hours
- The machine must never be abandoned, when it is scrapped, because it contains toxic and noxious materials (batteries, oils, etc.), that must be disposed off to special disposal centers
- Before lifting the recovery tank, ensure it is empty
- In order to avoid scales on the solution tank filter, do not fill the detergent solution many hours before the machines' use

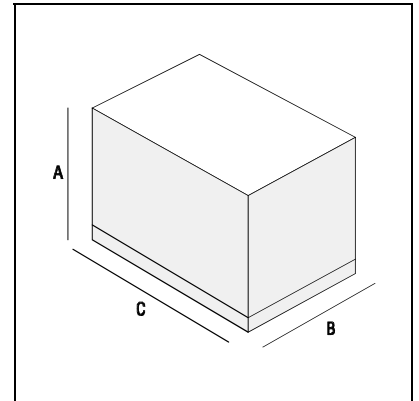


MACHINE PREPARATION

1. MOVING THE PACKAGED MACHINE

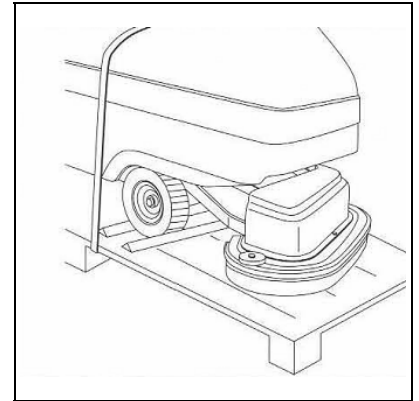
The machine is contained in specific packing with a platform so that it can be moved by a fork-lift. No more than two packing crates can be stacked on each other. The total weight is 232 kg. for Gamma 66 and 257 kg. for Gamma83II. Packing dimensions are:

	Gamma 66	Gamma 83II
A:	1270	1270
B:	760	1020
C:	1680	1750



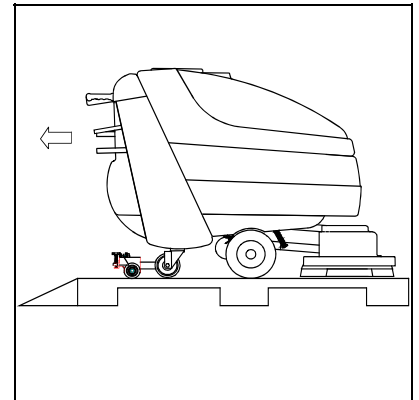
2. HOW TO UNPACK THE MACHINE

- Remove outer packing
- The machine is strapped to its platform
- Cut the strap



Note Remember to restore the hardware removed to remove the brackets

- Use a ramp to lower the machine off the platform, pushing it backwards in reverse. Avoid violent blows against the base
- Keep the packing platform and the anchor brackets since it may become necessary to transport the machine again



3. CONNECTING THE DRIVE MOTOR CABLE

This operation must be done by a Fimap Service Center technician.



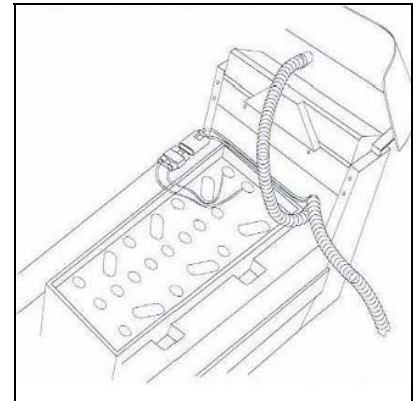
MACHINE PREPARATION

4. PUTTING THE BATTERIES IN THE MACHINE

The batteries must be housed in the battery compartment below the recovery tank. They must be handled using special hoisting equipment with suitable grasping systems and designed to support the weight of the batteries. The batteries must also conform to the requirements given in CEI 21-5 standards.



WARNING! For the daily maintenance and recharging of the batteries is necessary to follow strictly the guidelines supplied by the manufacturer or its dealer. All installation and maintenance must be performed by qualified personnel.

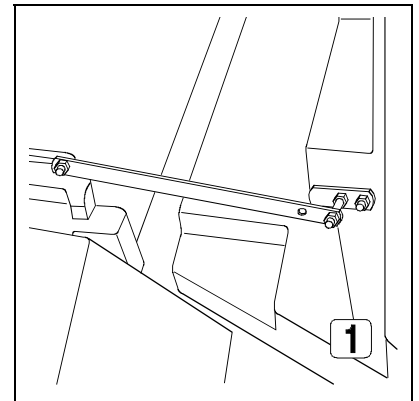


To insert the batteries is necessary:

- Make sure the recovery tank is completely empty
- Lift the recovery tank completely
- Slide the coupling of the prop on the outer hole (1) keeping the tank in an upright position
- After inserting the battery hang up the shore to its original position

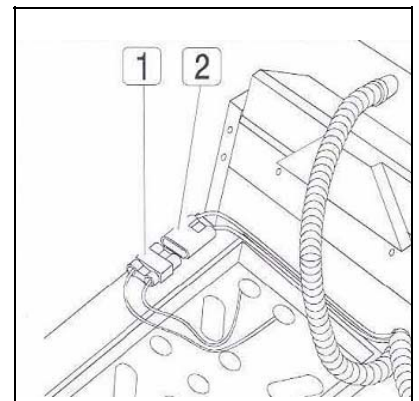


WARNING! To avoid irreparable damage to the solution tank and / or the recovery tank, keep recovery tank lifted when the prop is released from its support.



5. CONNECTING THE BATTERY CONNECTOR

The battery connector (1) that is under the recovery tank, should be connected to the machine connector (2).



6. CONNECTING THE BATTERY CHARGER

The battery charger connector is delivered inside the bag that contains this instruction booklet. It must be fitted to the battery charger cables according to instructions.



WARNING! This operation must be performed by qualified personnel. A wrong or imperfect cables connection to the connector may cause serious harm to persons or property.



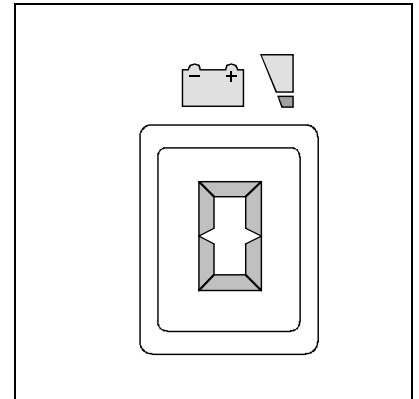
MACHINE PREPARATION

7. BATTERY RECHARGING

Batteries, to avoid permanent harm to them, should never be totally discharged. They should be recharged within a few minutes after the battery discharged signal starts to flash.



Never leave the batteries completely discharged, not even if the machine is not being used. When recharging, first empty the recovery tank and then remove it. Check the level of battery electrolyte every 20 recharges. Top up with distilled water as necessary.



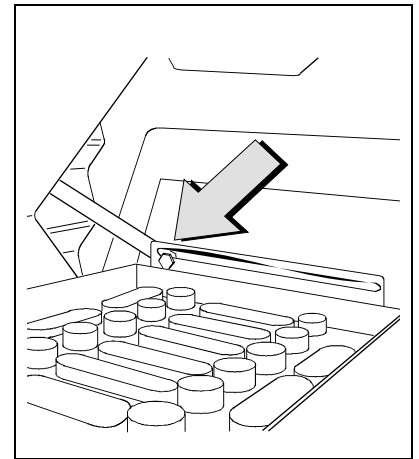
WARNING! To recharge the batteries daily you must follow strictly the guidelines supplied by the manufacturer or its dealer. All installation and maintenance must be performed by qualified personnel.



WARNING! Danger of emission of gas and leakage of corrosive liquids



WARNING! Fire danger: Do not approach with open flames



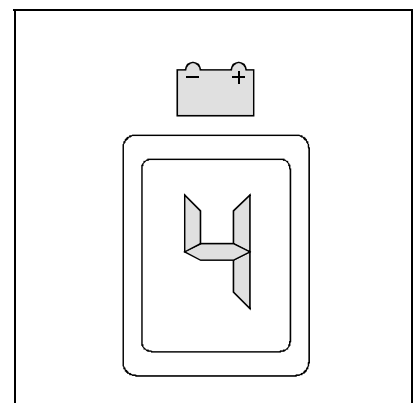
8. BATTERY CHARGE LEVEL GAUGE

The battery charge level gauge is a digital unit with 4 fixed and one flashing position. The numbers on the display give an approximate idea of the state of charge :

4 = maximum charge, **3** = 3/4 charge, **2** = 2/4 charge " **1** = 1/4 charge, **0** = no charge (flashing).



IMPORTANT: the brush motor automatically turns off a few seconds after the flashing "0" appears. The remaining charge can be used to terminate drying operations before recharging.





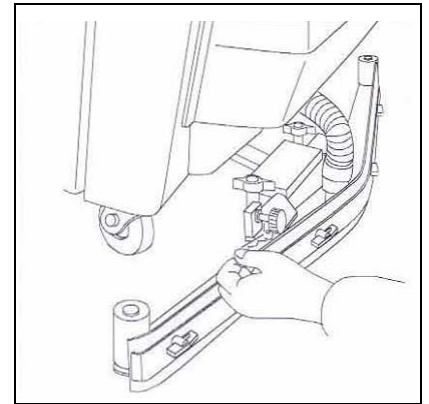
MACHINE PREPARATION

9. ASSEMBLING THE SQUEEGEE

The squeegee is supplied separately, dismantled from the machine, for packing reasons. It must be installed as illustrated, threading the retaining pin into the squeegee column. Put the aspiration tube into its sleeve.



WARNING! Use gloves to avoid injury to the hands.



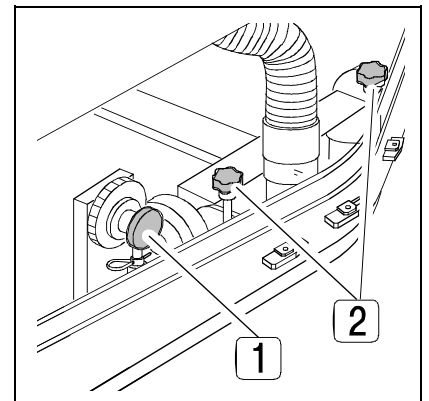
10. ADJUSTING THE SQUEEGEE

The rear rubber, during operation, must be slightly and uniformly bent back about 5 mm. along its entire length. It may be necessary, to increase curvature of the rubber in its central section, to slope the squeegee body backwards. This is done by rotating adjustment unit (2, fig. 3) counter-clockwise. To increase curvature on the outside sections of the rubber just rotate adjustment unit (2, fig. 3) clockwise.



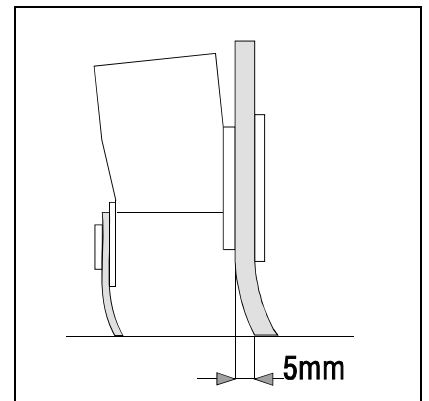
WARNING! Use gloves to avoid injury to the hands.

WARNING! Use gloves to protect themselves from contact with dangerous solutions.



The squeegee should be adjusted in height depending on the wear of the tires. To do this, turn the knob (2) clockwise (tighten) to raise the squeegee and counterclockwise (unscrew) to decrease.

Note: The left and right wheels must be adjusted in the same way so that the squeegee works parallel to the floor.

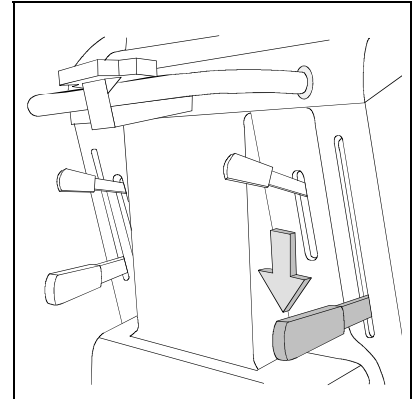




MACHINE PREPARATION

11. INSTALLING THE ROTATING BRUSHES

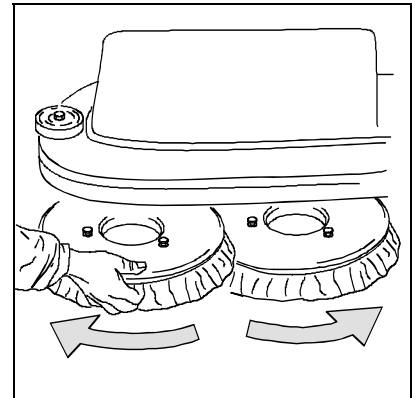
- Turn the ignition key to OFF and remove it from the panel
- Lift the base completely by lowering the control lever base



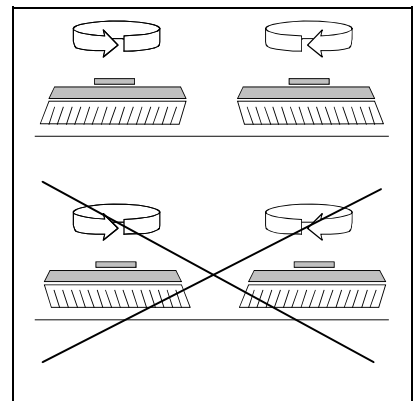
WARNING! Do the mounting of the brushes with the power on may cause serious injury to hands.

WARNING! Use gloves to protect themselves from contact with dangerous solutions.

- With the lifted basement, put the buttons on the nozzle plates in special niches of the brush holder. Turn the left brush counterclockwise and the right brush clockwise until you get the lock through the spring coupling applied to the brush holder



We recommend inverting right and left brushes every day and viceversa. If brushes are not new and have distorted bristles then it is best to install them always in the same position (the right brush on the right side and the left brush on the left side) to prevent bristles with a different slope from overloading the brush motor and causing excess vibrations.

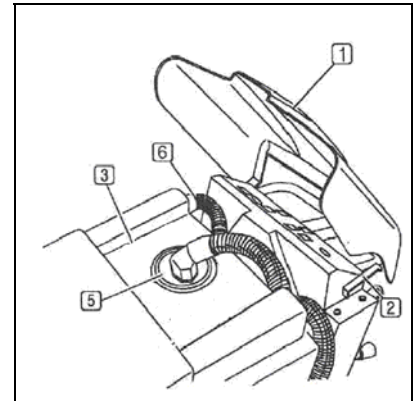




MACHINE PREPARATION

12. RECOVERY TANK

- Open hood (1) and block it in its high position with support (2).
- Check:
- that plug (5) is properly anchored
 - that aspiration tube is inserted in its seat



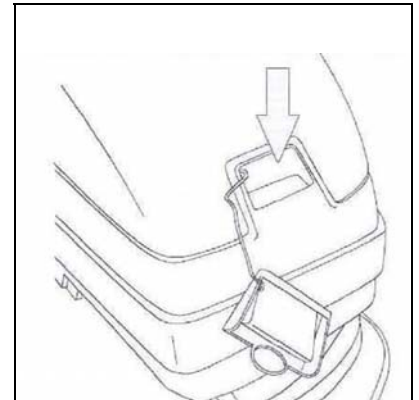
WARNING! Always use low foam detergent. To avoid the production of foam is recommended to introduce into the recovery tank a small amount of foam agent before starting work.

13. SOLUTION TANK

Fill the solution tank with clean water at a temperature not in excess of 50°C. Add liquid detergent in the amounts and using the procedures recommended by the detergent manufacturer. Use only a minimal percentage of detergent to prevent formation of an excess quantity of foam since too much foam may damage the aspiration motor.



WARNING! Always use low foam detergent. To avoid the production of foam is recommended to introduce into the recovery tank a small amount of foam agent before starting work.



WARNING! Never use pure acids.

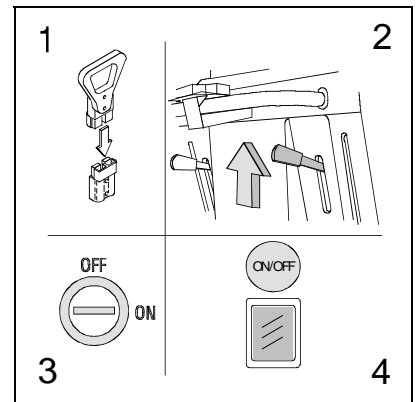
WARNING! Use gloves to protect themselves from contact with dangerous solutions.



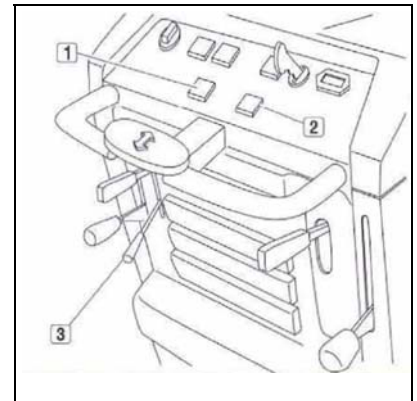
WORK

Set the machine up for operation.

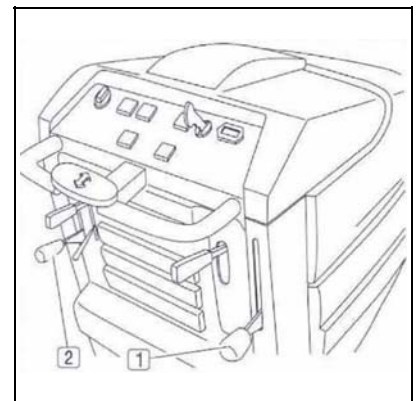
- Connect the connector to the batteries (1)
- Check that the parking brake is released (2)
- Turn the main switch key (3) a quarter turn clockwise. (3). The main green signal lamp (4) will immediately come on and the digital display indicates the battery charge level



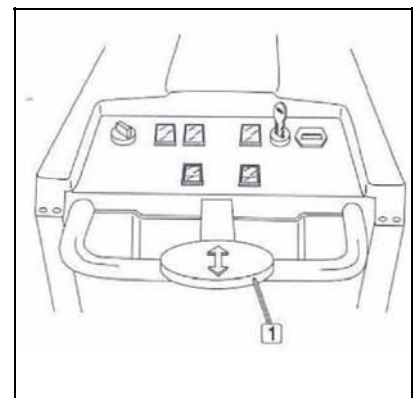
- Press brush switch (1)
- Press aspiration switch (2)
- Use lever (3) to adjust water flow



- Push lever (1) forward to lower the base
- Lower the squeegee by pushing lever (2) forward



- The machine will start to move when deadman lever (1) is pushed forward. Check, during the first few meters of wash, that brush pressure is adequate (see "BRUSH PRESSURE" below), that the amount of water is sufficient and that the squeegee dries the floor perfectly. The machine will now start to work at full efficiency until the solution water is finished

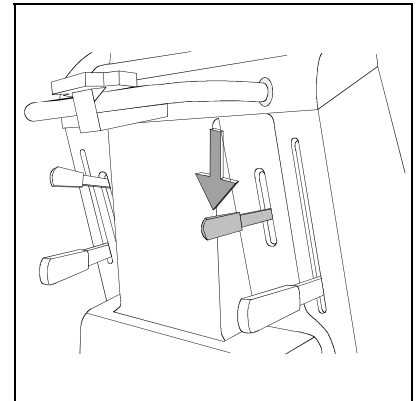




WORK



WARNING! Immediately apply emergency brake (1) on the right side of the machine whenever problems arise during operation. This control stops forward movement by the machine. To start to work again, after solving the problem, just raise lever (1) and push deadman lever (2) forward.



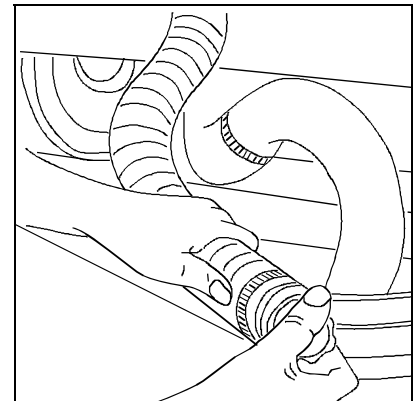
OVERFLOW DEVICE

The machine has a float that trips whenever the recovery tank is full. This causes the aspiration tube to close. In this case you should empty the recovery tank.



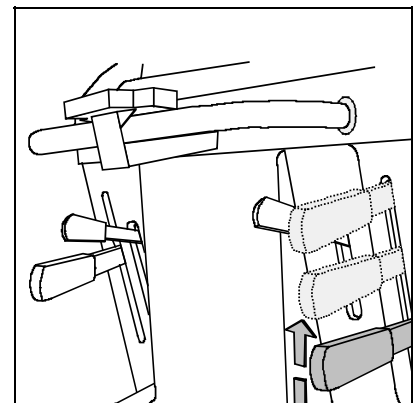
WARNING! Use gloves to avoid injury to the hands.

WARNING! Use gloves to protect themselves from contact with dangerous solutions.



BRUSH PRESSURE

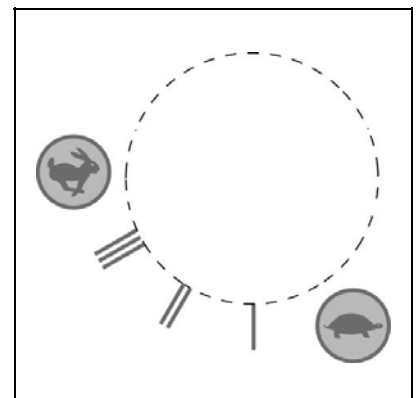
It is possible to adjust the brush pressure acting on the appropriate lever. There are three different levels of brush pressure. The brush pressure is higher when the lever is fully lifted. Pressure should be selected depending on the type of floor and the amount of dirt. Too much pressure causes increased brush wear and greater energy consumption.



TRACTION

These machines are equipped with electronically-controlled traction with continuous speed variation. Maximum speed can be selected according to three levels.

- for very dirty floors, where it is necessary to proceed slowly, or for paths with lots of obstacles where great steering precision is required
- for loose or uneven floors where a high speed could cause drying problems
- for normal floor maintenance cleaning





WORK

TRACTION

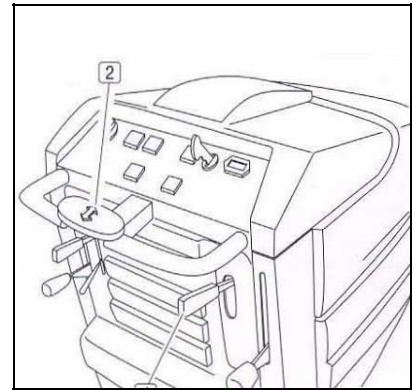
The operator selects the optimum speed based on what happens while he works and on his own experience. To move the machine turn key (1), check the speed that is engaged (2) and then turn the deadman lever (3) on the handlebar forward (forward movement) or backward (reverse movement).



WARNING! When moving backwards, make sure that the squeegee is lifted.

BRAKES

The machine has two braking systems. A working brake controlled by lever (2) on the left and a parking brake controlled by lever (1) on the right.

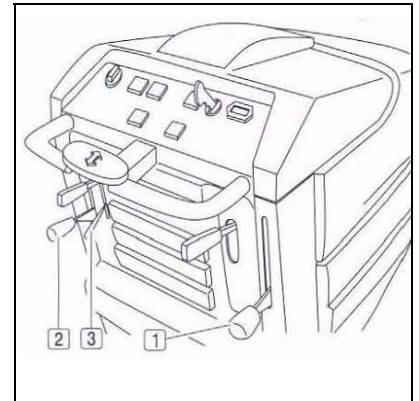




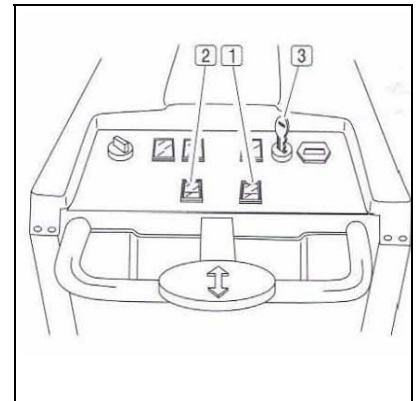
UPON COMPLETION OF WORK

At the end of the work day, before performing any type of maintenance:

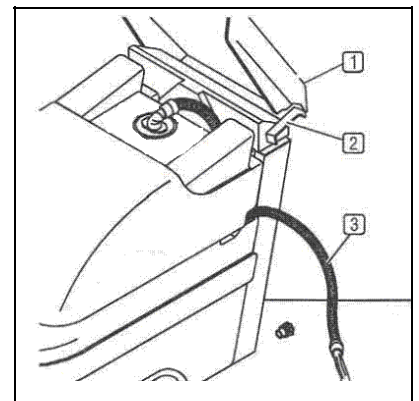
- Close cock (3)
- Raise base (1)
- Raise squeegee (2)



- Turn off brush switch (1)
- Turn off aspiration motor switch (2)
- Move the machine to the water disposal point
- Turn the key (3) to turn the machine off
- Engage the parking brake



- Lift hood (1) and keep it lifted by rotating support (2) backwards. This frees recovery tank drain tube (3)
- Remove the drain tube from its seat, unscrew the drain plug and empty the recovery tank
- The squeegee should be raised when the machine is not in use to prevent permanent distortion of the rubber strips



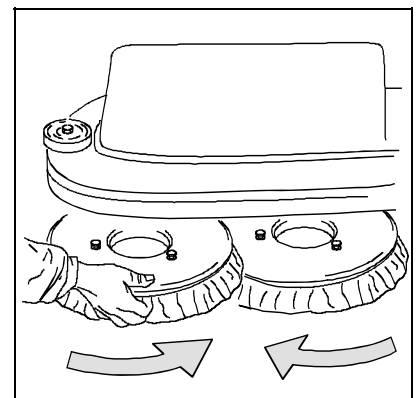
WARNING! This operation must be performed using gloves to protect themselves from contact with dangerous solutions.

- Remove the brushes and clean them with a jet of water (see "BRUSH REMOVAL" pg. 22)



WARNING! Use gloves to avoid injury to the hands.

WARNING! Use gloves to protect themselves from contact with dangerous solutions.

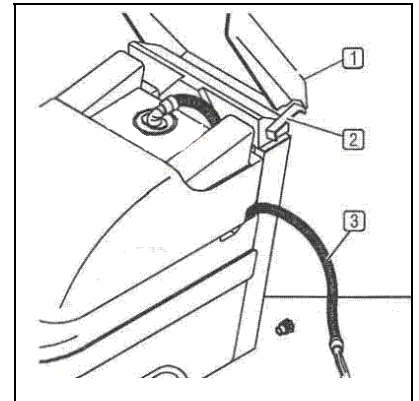




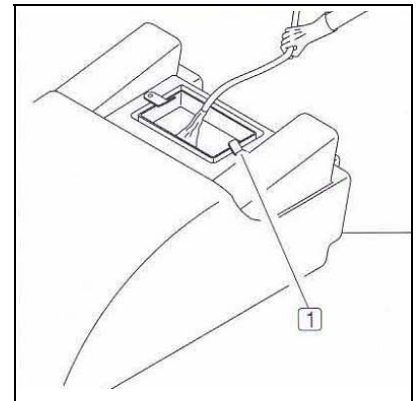
DAILY MAINTENANCE

CLEANING THE RECOVERY TANK

- Open the hood and keep it lifted using its support



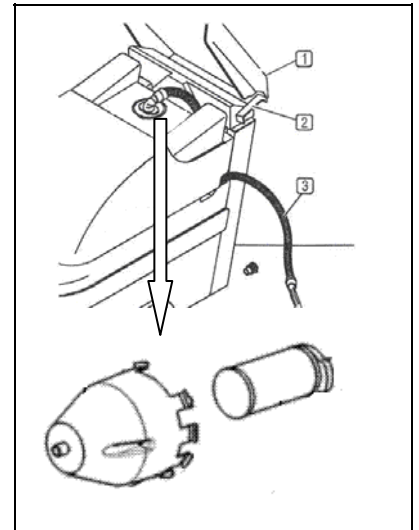
- Remove the drain tube from its seat. Empty the tank through the drain tube by turning the knob a few turns and then pulling out the plug
- Remove the tank cover, releasing it from retaining clips (1)
- Rinse the inside of the tank thoroughly with a jet of water. Slightly lift the tank, using its handle, to improve dirt removal. It is best to do this after totally removing the tank from the machine
- Put the tank back in the machine and put the plug back on the drain tube



WARNING! This operation must be performed using gloves to protect themselves from contact with dangerous solutions.

CLEANING THE RECOVERY TANK FILTER

- Remove plug (1) from the recovery tank cover
- Pull out the filter with its foam-protection unit
- Turn the filter inside the foam-protection unit counter-clockwise to release it and pull it out
- Use a jet of water to clean the walls and the bottom of the filter. Clean all parts thoroughly and carefully
- Replace everything by following the above indicated procedure in reverse order



WARNING! Do not enter water in the pipe connected to the filter cover.

WARNING! This operation must be performed using gloves to protect themselves from contact with dangerous solutions.



DAILY MAINTENANCE

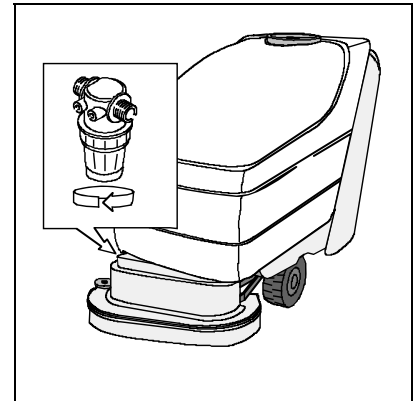
CLEANING THE SOLUTION TANK FILTERS

- Open the cock
- Completely empty the solution tank
- Unscrew the filter placed under the front right side of the machine



WARNING! Use gloves to avoid injury to the hands.

WARNING! Use gloves to protect themselves from contact with dangerous solutions.

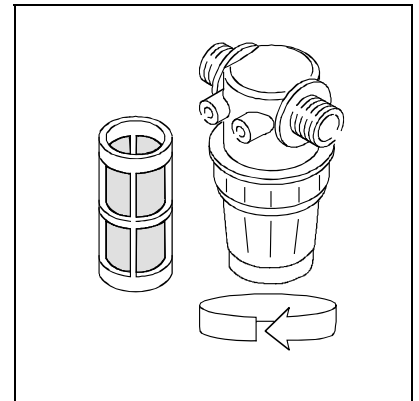


- Pull the cartridge from the filter and clean it with a jet of water



WARNING! Use gloves to avoid injury to the hands.

WARNING! Use gloves to protect themselves from contact with dangerous solutions.





DAILY MAINTENANCE

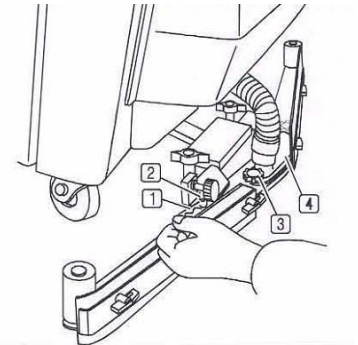
CLEANING THE SQUEEGEE

The squeegee must be in perfect working condition to achieve a good drying process: it must be clean and its rubbers must be in good condition.

- Remove it from the machine by pulling pin (1) out from column (2). Clean the interior with a jet of water
- Loosen knobs (3), remove block (4) and check that there is no dirt inside
- Check the condition of the rubbers and reverse or replace them as necessary
- Replace everything on the machine



WARNING! Use gloves to protect themselves from contact with dangerous solutions.



REPLACING THE REAR SQUEEGEE RUBBER

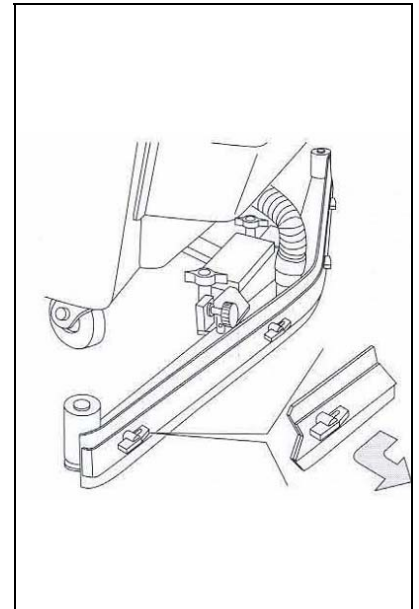
The drying edge can be changed if the squeegee rubber is worn and does not dry properly:

- Use a hammer to push and rotate lock plates (1) in the directions indicated by the arrow
- Pull out the rubber~pressing blade and the rubber
- Turn the rubber over or replace it if necessary
- Check the height of the squeegee. Adjust using knobs [2] as necessary
- Replace everything by carrying out these procedures in reverse order



WARNING! Use gloves to avoid injury to the hands.

WARNING! Use gloves to protect themselves from contact with dangerous solutions.



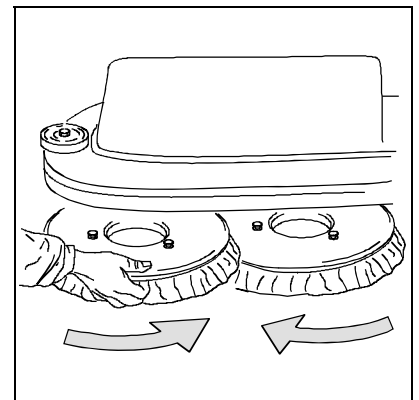
REMOVING THE ROTATING BRUSHES

- Push lever (1) down to raise the base
- Turn key (2) to OFF and remove it from the control panel
- Rotate the brush, until it exits from the brush-bearing plate as illustrated



WARNING! This operation must be performed using gloves to protect themselves from contact with dangerous solutions.

WARNING! Perform disassembly of rotating brushes with the power on may cause serious injuries to hands.

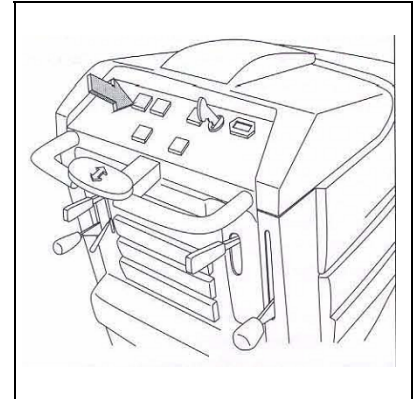




TROUBLE SHOOTING GUIDE

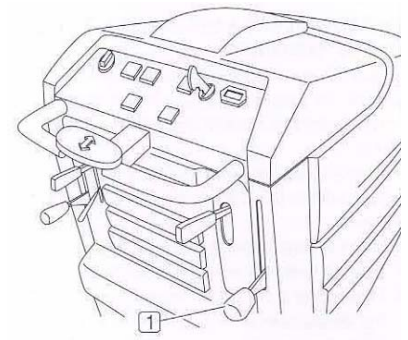
INSUFFICIENT WATER TO THE BRUSHES

- Check that the cock is open (signal lamp on)
- Check that there is water in the solution tank



MACHINE DOES NOT CLEAN WELL

- Check the condition of the brushes and replace if necessary (brushes must be replaced when bristles are 15 mm. high)
- Check that brush pressure is sufficient. Increase as necessary using lever (1)
- Use another type of brush rather than the standard brush. We recommend, to clean floors with exceptionally difficult dirt, the use of special brushes that are supplied on request and according to your specific needs (see "BRUSH SELECTION AND USE" below)



SQUEEGEE DOES NOT DRY PERFECTLY

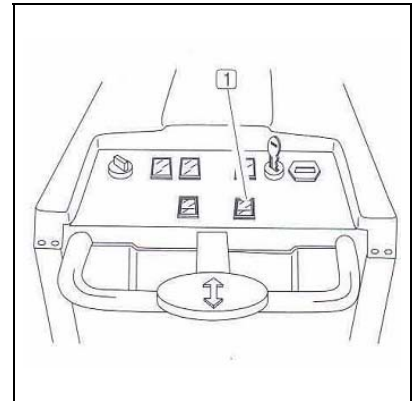
- Check that the squeegee is clean
- Check all adjustments (see "PREPARING THE MACHINE")
- Clean the entire aspiration unit (see "DAILY MAINTENANCE")
- Replace worn rubbers



TROUBLE SHOOTING GUIDE

ASPIRATION UNIT DOES NOT OPERATE

- Check that aspiration motor switch led (1) is on
- Check if the recovery tank is full and eventually empty



TOO MUCH FOAM IS GENERATED

Check that low-foam detergent is used. Add, if necessary, a small quantity of anti-foam liquid to the recovery tank. Remember that more foam is generated when the floor to be cleaned is not very dirty. In this case use a more diluted detergent solution.



CHOICE AND USE OF BRUSHES

POLYPROPYLENE BRUSHES (PPL)

These are used on all types of floors and offer good resistance to wear and to hot water (not more than 60°C). PPL is not hygroscopic and preserves its characteristics even when wet.

NYLON BRUSHES

These are used on all types of floors and offer good resistance to wear and to hot water (even more than 60°C). Nylon is hygroscopic and consequently tends, over a period of time, to lose its characteristics when working on wet floors.

TYNEX BRUSHES

The bristles on these brushes are impregnated with highly aggressive abrasives. These are used to clean very dirty floors. We recommend using only the bare pressure necessary to prevent damage to the floor.

STEEL BRUSHES

Bristles are made of steel wire or flat blades or are mixed steel and synthetic fibres. The steel wire brush is used to remove scale from badly uneven floors or floors with wide joints between tiles. Brushes with flat steel bristles (stiffer) are used to clean the toughest scale.

BRUSH THICKNESS

Thicker bristles are stiffer and should be used on smooth floors or floors with narrow joints between tiles. We recommend using softer bristles when floors are uneven Or have deep joints or raised edges. Softer bristles penetrate easier into joints. Remember that when brush bristles are worn and become too short they become stiffer and are no longer able to penetrate in depth. This is also because, as when using bristles that are too big, the brush tends to jump and skip.

DRIVE DISKS

Drive disks are recommended for cleaning polished surfaces. There are two types of drive disk:

- Traditional drive disks with sets of anchor stubs that retain and drive the abrasive disk during operation.
- CENTER LOCK drive disks which, in addition to anchor stubs, also have a plastic snap-in center lock system. This permits perfect centering of the abrasive disk and ensures it is kept anchored without detaching. This type of drive disk is best for machines with several brushes where it is difficult to center the abrasive disks.

SCHEME FOR THE CHOICE OF BRUSHES

Machine	Br. No	Code	Bristles type	∅ Bristles	∅ Brushes	Notes
GAMMA 66	2	405590	PPL	0.3	345	Pad blocking
		405591	PPL	0.6	345	
		405592	PPL	0.9	345	
		405593	ABRASIVE	1	345	
		405521	Center Lock Pad		335	
GAMMA 83	2	405562	PPL	0.3	430	Pad blocking
		405563	PPL	0.6	430	
		414261	PPL	0.9	430	
		405565	ABRASIVE	1	430	
		405506	Center Lock Pad		430	



EC DECLARATION OF CONFORMITY

The undersigned company:

FIMAP S.p.A.

Via Invalidi del Lavoro no.1
37050 Santa Maria di Zevio (VR)
declares under its sole responsibility that the

FLOOR SCRUBBER-DRYER mod. GAMMA 66 – 83II

Complies with the provisions of the following directives:

- 2006/42/CE: Machinery directive.
- 2004/108/CE: Electromagnetic Compatibility Directive and subsequent amendments.

It also complies with the following standards:

- EN 60335-1: Household and similar electrical appliances - Safety. Part 1: General requirements.
- EN 60335-2-72: Household and similar electrical appliances. Part 2: Particular requirements for automatic machines for floor treatment for commercial and industrial use.
- EN 12100-1: Machine safety - Fundamental concepts, fundamental principles of design - Part 1: Basic methodology terminology.
- EN 12100-2: Machine safety - Fundamental concepts, fundamental principles of design - Part 2: Technical principles.
- EN 61000-6-3: Electromagnetic compatibility (EMC) - Part 6-3: Generic standards — Emission standard for residential, commercial and light-industrial environments.
- EN 61000-6-1: Electromagnetic compatibility (EMC) - Part 6-1: Generic standards - Immunity for residential, commercial and light-industrial environments.
- EN 62233: Household and similar electrical appliances - Electromagnetic fields Methods for evaluation and measurement.

Santa Maria di Zevio, 20/09/2009

FIMAP S.p.A.

Legal representative
Giancarlo Ruffo

FIMAP spa

Via Invalidi del Lavoro, 1 - 37050 S.Maria di Zevio (Verona) Italy
Tel. +39 045 6060411 r.a. – Fax +39 045 6060417 – E-mail: fimap@fimap.com - www.fimap.com