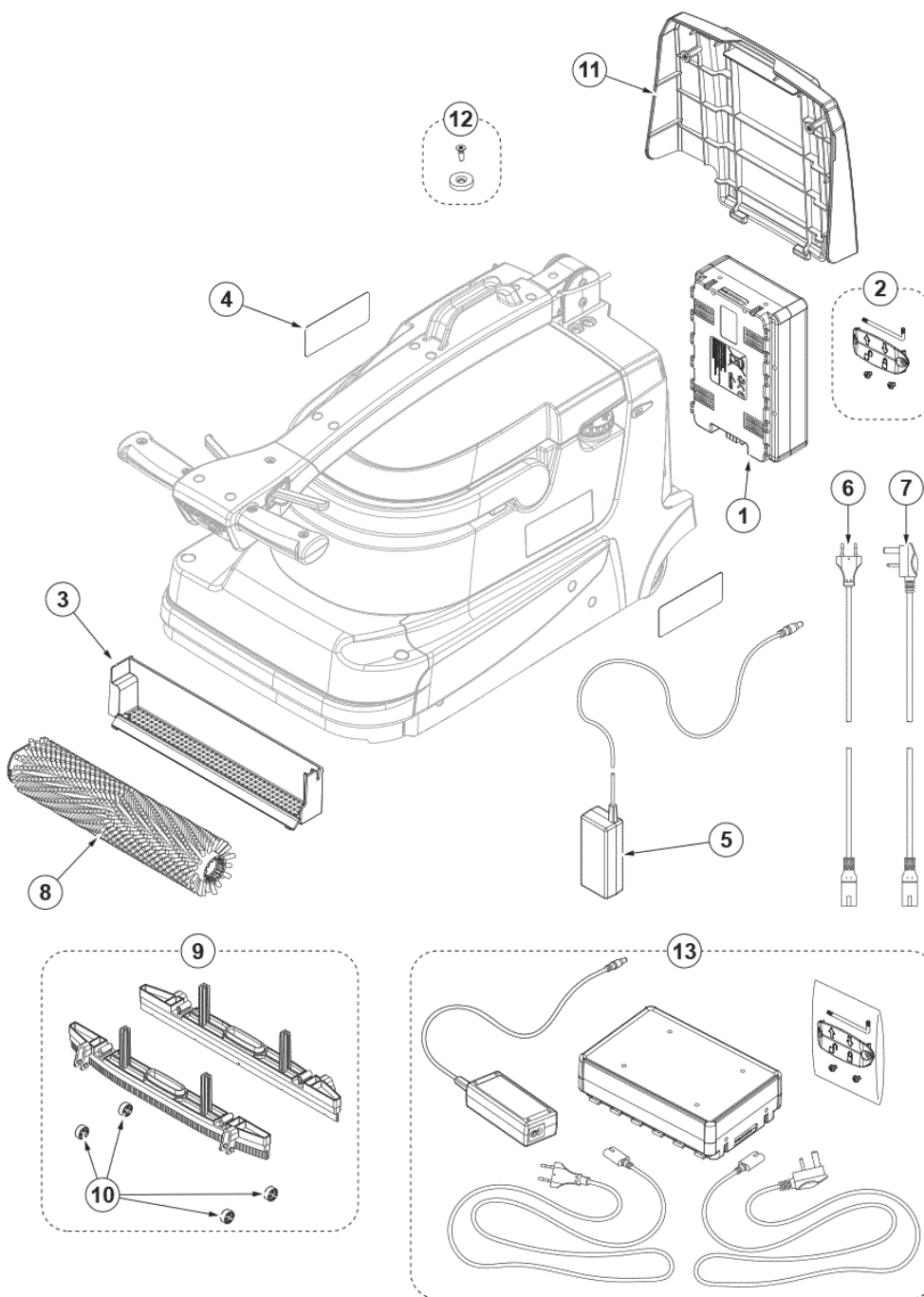


PARTS LIST

2021.09.06

TABLE OF CONTENTS

PL GENERAL VIEW	1
PL SOLUTION AND RECOVERY TANK.....	3
Brush cylinder 340mm.....	5
PL BRUSH MOTOR.....	7
PL CHASSIS - FIXING AND COVER.....	9
PL CHASSIS - VACUUM AND REAR WHEELS.....	11
PL CHASSIS - SOLUTION AND VAC CHAMBER.....	13
PL CHASSIS - PEDAL WHEELS.....	15
PL HANDLE BAR.....	17
PL WIRING DIAGRAM.....	19
PL RECOMMENDED PARTS - ACCESSORIES.....	21



Pos.	Artikel-Nr.	Menge	Variante	Notes
	9100002947	1	RAMP 610X480X15MM 20 PCS SET	
	9100002946	1	DECAL HAZARDOUS MAT. UN3481 100 PCS SET	
	9100002945	1	SHIM FOAM MACHINE PROTECTION 40 PCS SET	
	9100002944	1	SHIM FOAM MACHINE PROTECTION 20 PCS SET	
	9100002943	1	CARDBOARD HONEYCOMB THICK 30MM 20PCS SET	
	9100002942	1	CARDBOARD BOX 475X125X335MM 20 PCS SET	
	9100002941	1	CARDBOARD BOX 785X485X540MM 10 PCS SET	
1	9100002070	1	BATTERIE LI 36V 10S4P OHNE GRIFF	[1]
2	9100002059	1	HANDGRIFF ORANGE FÜR BATTERIE LI	
3	9100001964	1	MINI CONTAINER PLAST. F DIRT PKD	
4	9100002022	1	DECALS NILFISK SC250 KIT	
5	9100002058	1	Ladegerät Batterie LI 100-240V 1.25A	
6	9100002007	1	CABLE POWER SUPPLY EU L. 1000MM SIP	
7	9100002055	1	CABLE POWER SUPPLY LI UK PLUG	[2]
8	9100002066	1	Bürste zyl. 340mm mittel	[3]
8	9100002067	1	BRUSH CYL 340MM HARD GRIT 320 GREY	[3]
8	9100002068	1	BRUSH CYL 340MM MICROFIBRE	[3]
8	9100002069	1	BRUSH CYL 340MM SOFT NYLON BLACK	[3]
9	9100002064	1	Saugfuss 360MM PU 2 St. SET	[2]
10	9100002379	1	WHEEL D.18 PLAST. GREY 4 PCS SET	
11	9100002026	1	COVER REAR GREY KIT	
12	9100002028	1	MAGNETS ROUND KIT	
13	9100002056	1	Batterie LI inkl. Ladegerät EU	[4]

Part Notes:

[1] - OPTIONAL - See TSB-FC-2017-035

TSB-FC-2017-062 battery firmware SC250

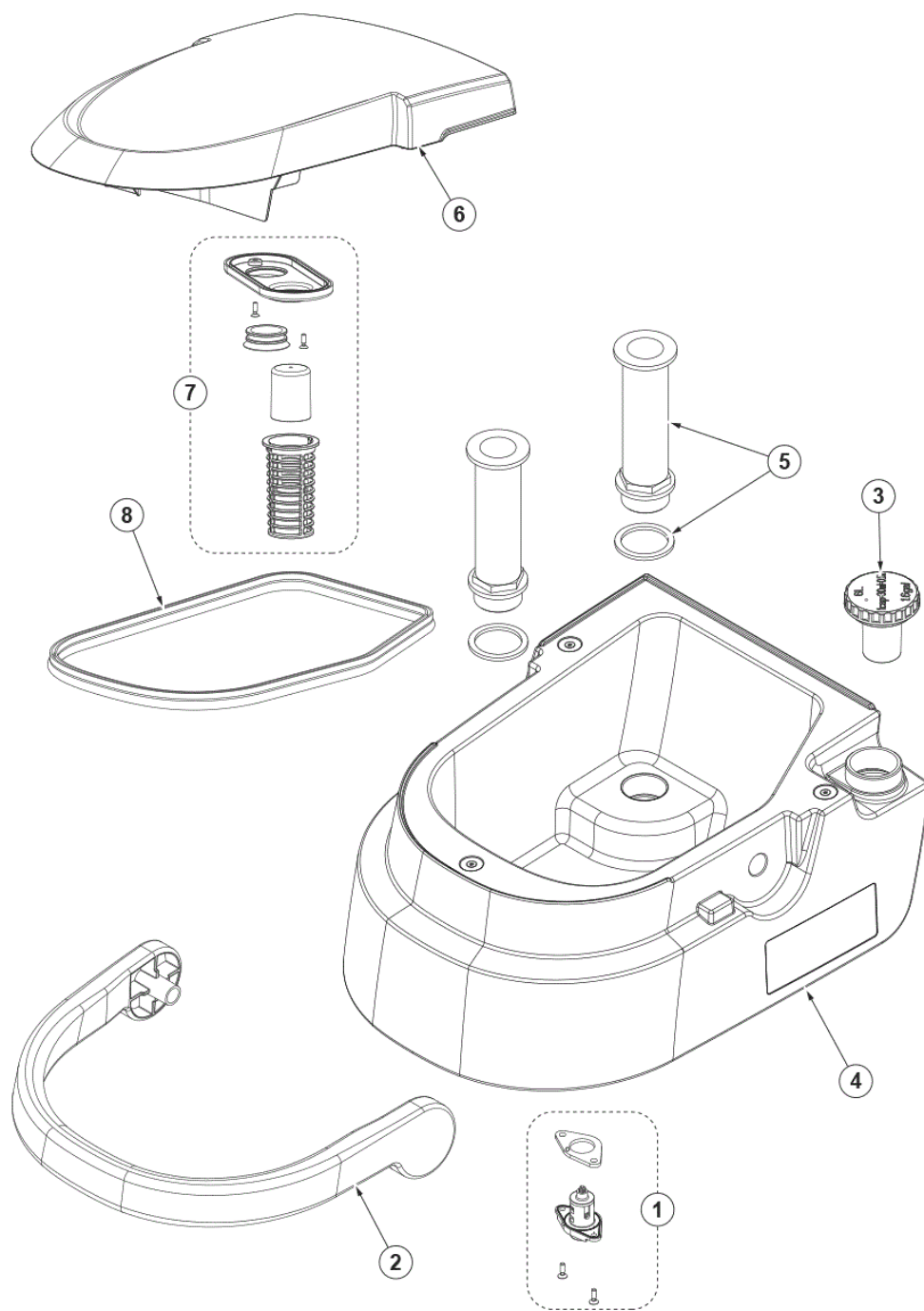
DE TSB-FC-2017-062 SC250 Scrubtec 334C Batterie Firmware

[2] - OPTIONAL

[3] - OPTIONAL

Brush cylinder 340mm

[4] - OPTIONAL
TSB-FC-2017-062 battery firmware SC250



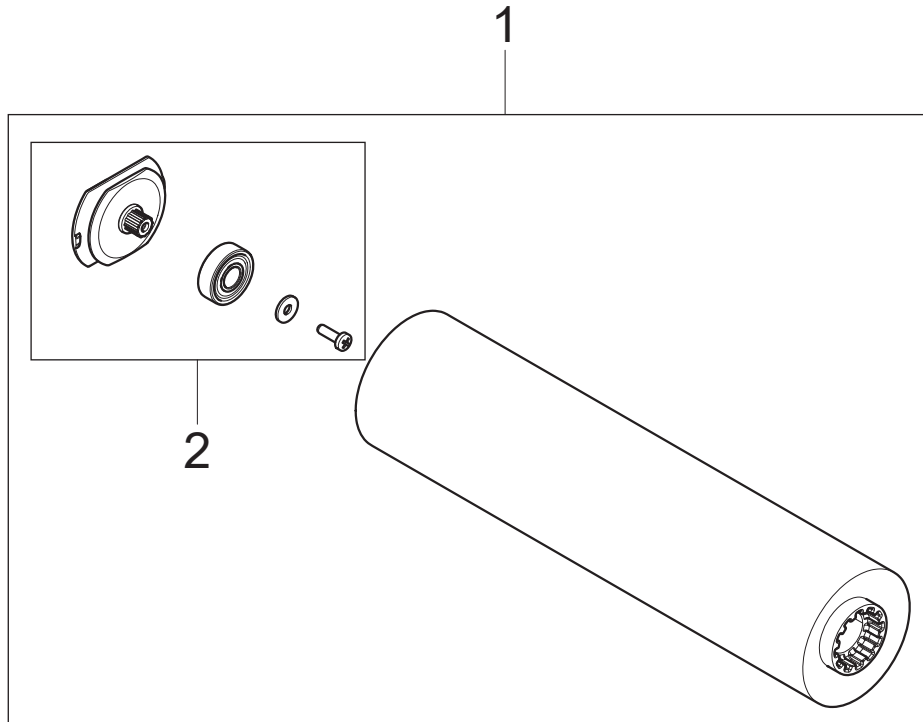
PL SOLUTION AND RECOVERY TANK

SC250 34C NIL

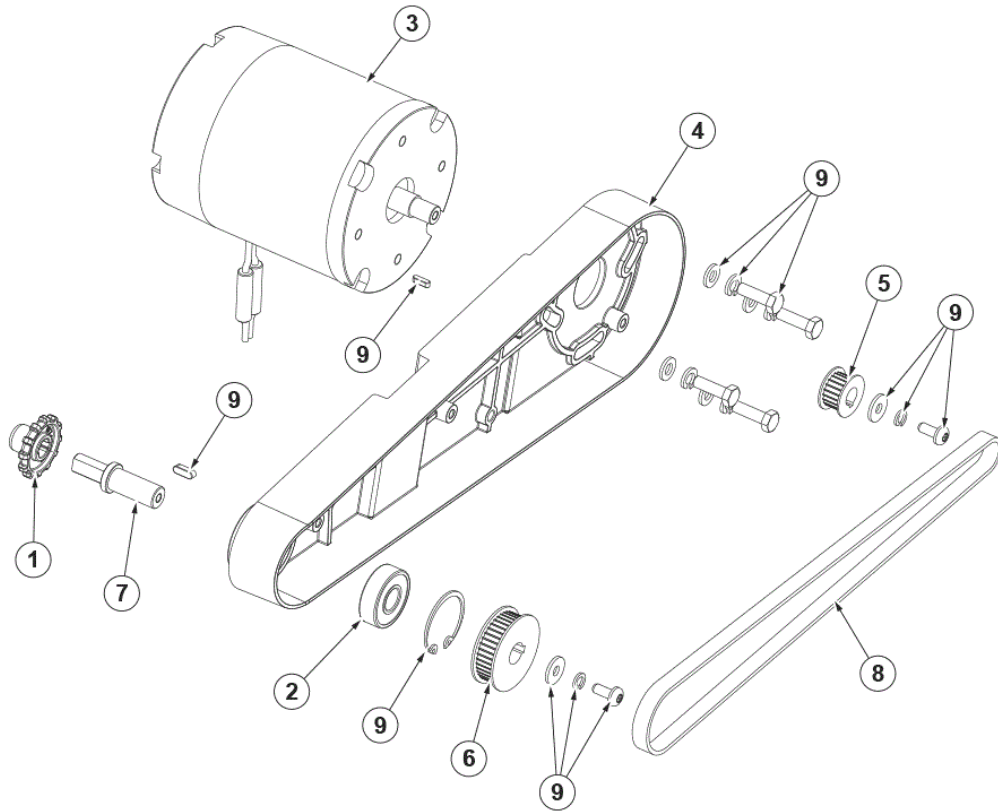
2017.11.02

2017.05.23

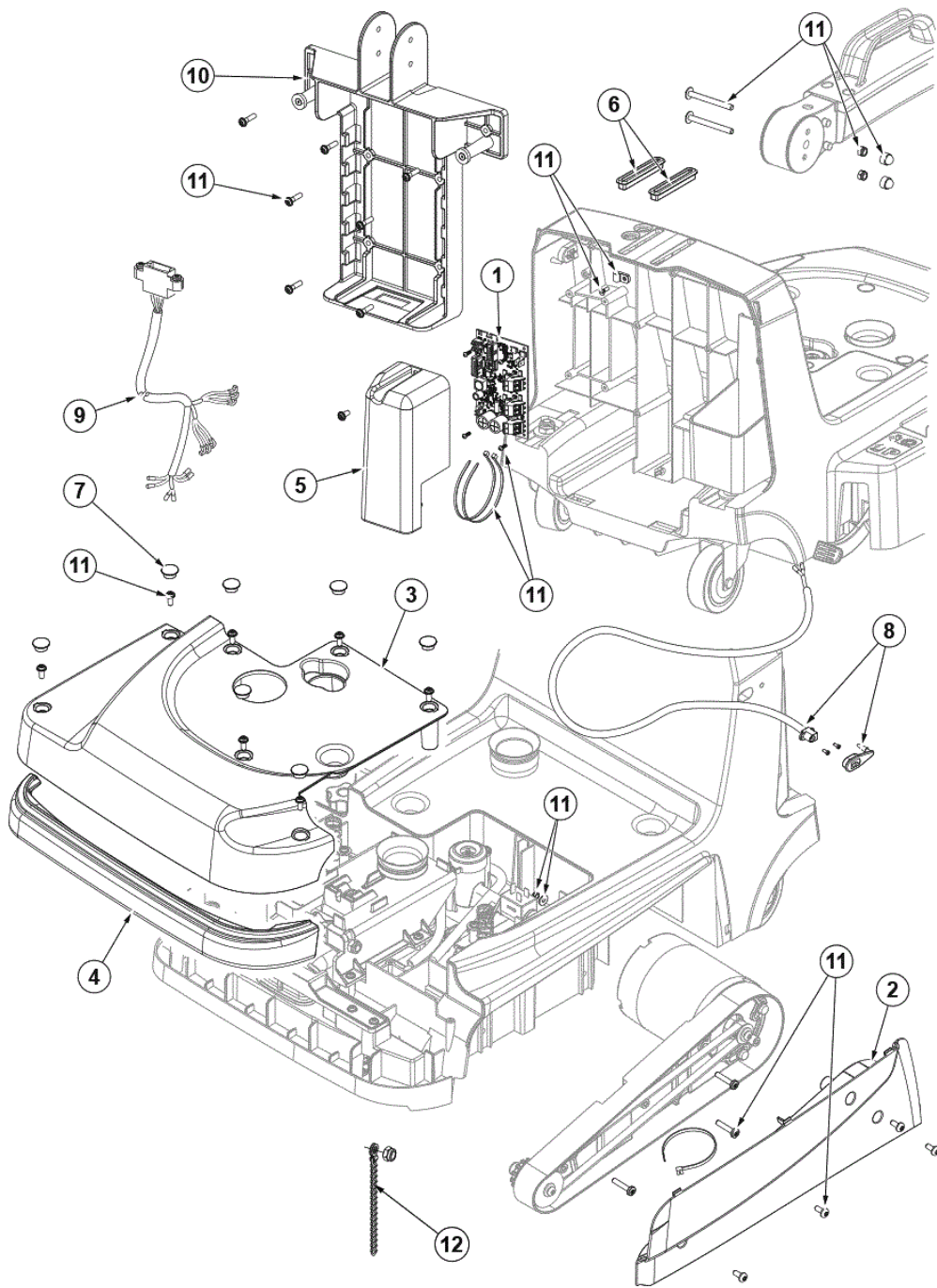
Pos.	Artikel-Nr.	Menge	Variante	Notes
1	9100002029	1	VALVE F SOLUTION TANK KIT	
2	9100001972	1	HANDLE PLAST. GREY F TANK SIP	
3	9100001990	1	CAP PLAST. F TANK SIP	
4	9100002030	1	TANK WATER 6L PLAST. GREY KIT	
5	9100002032	2	PIPE PLAST. F TANK KIT	
6	9100002033	1	COVER TANK PLAST. GREY KIT	
7	9100002035	1	CAGE FLOAT PLAST. BLACK KIT	
8	9100001993	1	DICHTUNG KUGELVERSTÄRKT L1030mm	



Pos.	Artikel-Nr.	Menge	Variante	Notes
1	9100002066	1	Bürste zyl. 340mm mittel	
1	9100002067	1	BRUSH CYL 340MM HARD GRIT 320 GREY	
1	9100002068	1	BRUSH CYL 340MM MICROFIBRE	
1	9100002069	1	BRUSH CYL 340MM SOFT NYLON BLACK	
2	9100002968	1	BEARING BALL 6201 2RSH ASSY KIT	



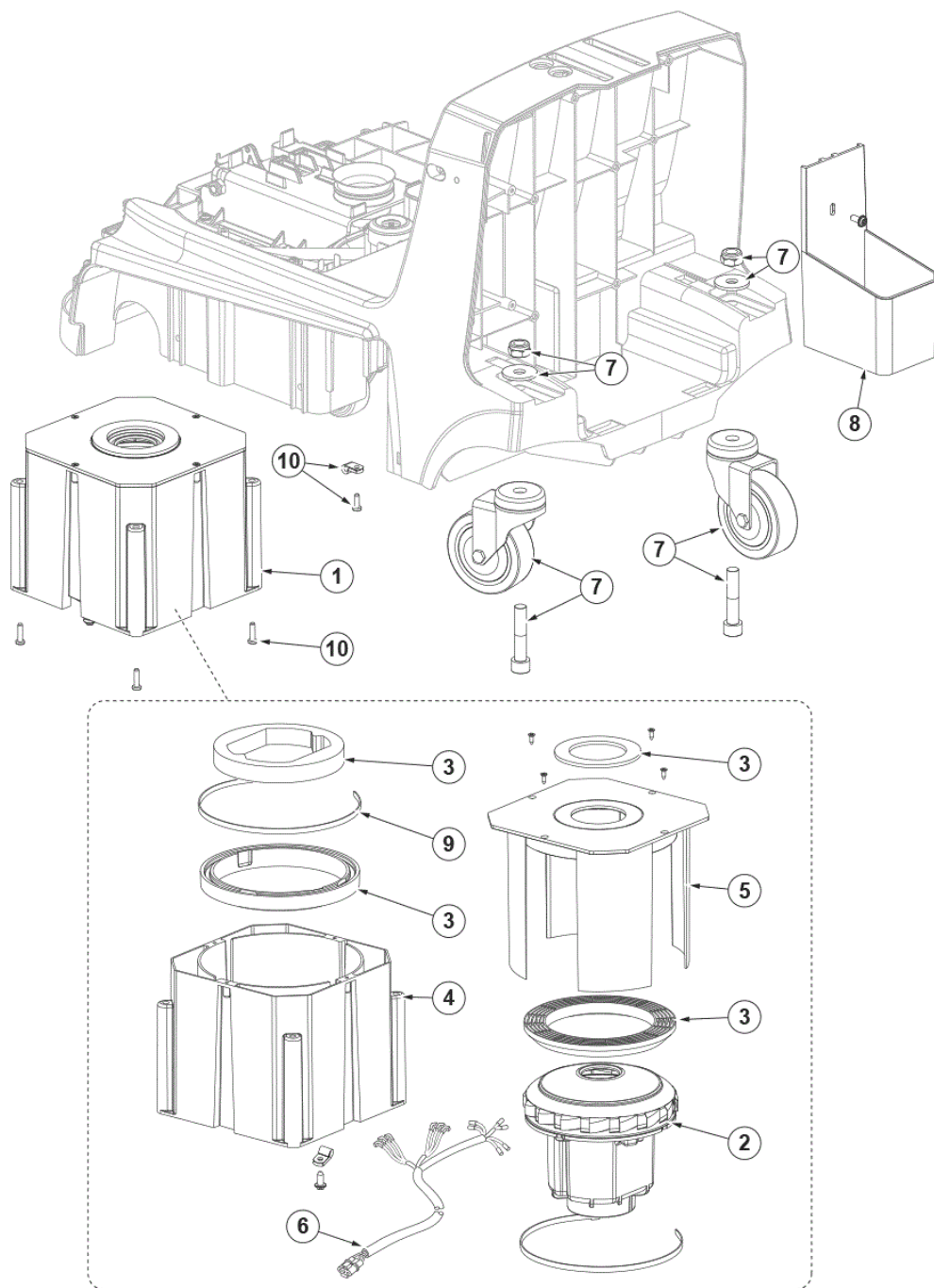
Pos.	Artikel-Nr.	Menge	Variante	Notes
1	9100001957	1	HUB TRACTION BRUSH PLAST. SIP	
2	9100002018	1	BEARING BALL 6201 2RS1 SIP	
3	9100001966	1	MOTOR BRUSH 180W 36V SIP	
4	9100001967	1	SUPPORT ALU F BRUSH MOTOR SIP	
5	9100001968	1	PULLEY TIMING BELT ALU HTD 20 3M 09 SIP	
6	9100001969	1	PULLEY TIMING BELT ALU HTD 40 3M 09 SIP	
7	9100001970	1	SHAFT GALV. F BRUSH SIP	
8	9100001971	1	Riemen HTD/OMEGA 669 3M 09	
9	9100002036	1	HARDWARE BRUSH MOTOR KIT	



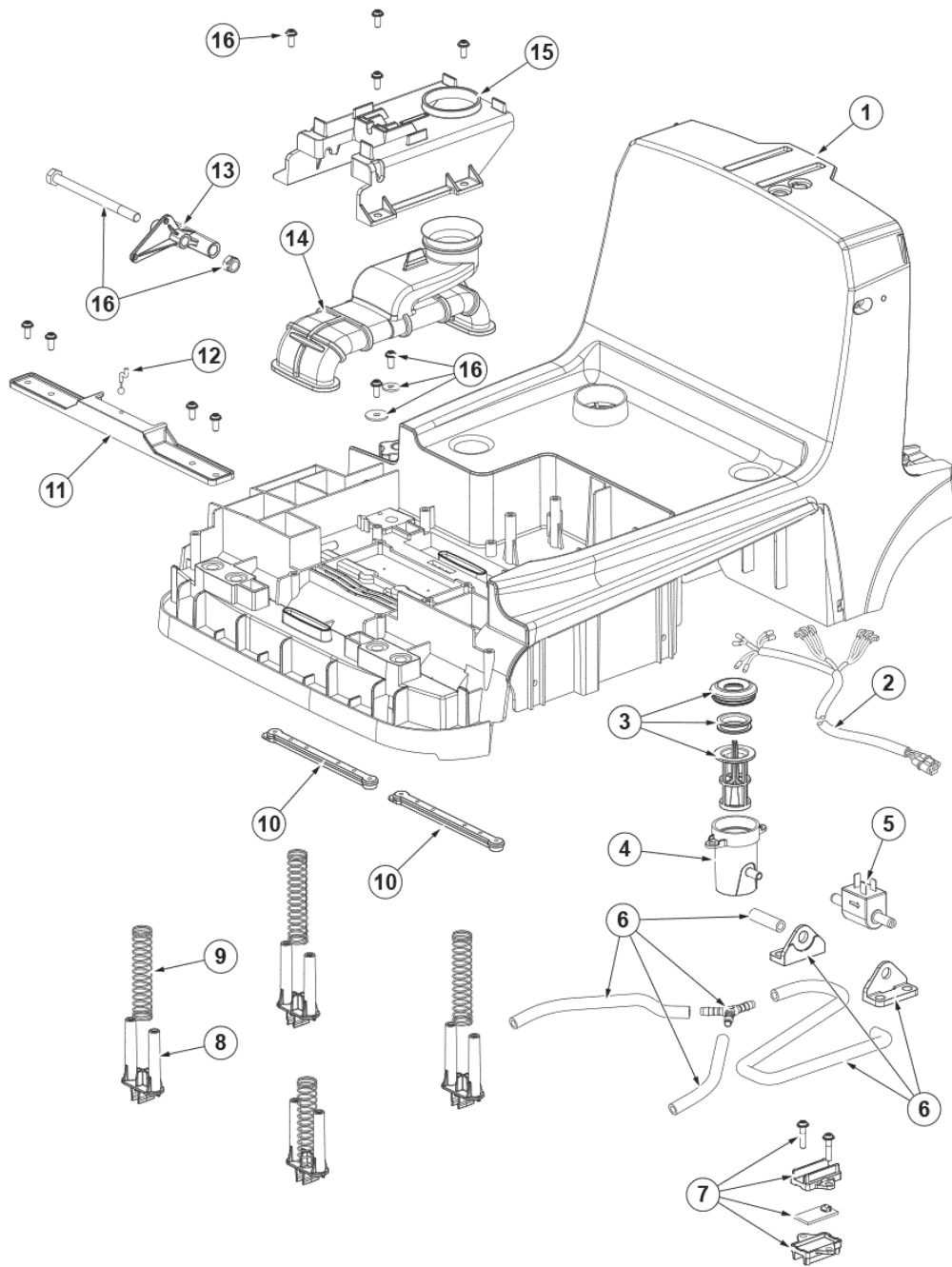
Pos.	Artikel-Nr.	Menge	Variante	Notes
1	9100002260	1	CONTROLLER MAIN MACH.P24 PROGR. SIP	[1]
2	9100001963	1	CASING BELT PROTECTION PLAST. GREY SIP	
3	9100001965	1	CASING UPPER PLAST. GREY F CHASSIS SIP	
4	9100001988	1	BUMPER FRONT PLAST. SIP	
5	9100001991	1	COVER PLAST.F CONTROLLER MAIN MACH. SIP	
6	9100001994	2	GASKET RUBBER HANDLE FIXING SIP	
7	9100002019	1	CAP PLAST. D.13.25XD.18 BLACK 10 PCS SET	
8	9100002201	1	HARNESS BATTERY CHARGER KIT	[2]
9	9100002038	1	HARNESS BATTERY KIT	
10	9100002039	1	HANDLE FIXING KIT	
11	9100002040	1	HARDWARE CHASSIS KIT	
12	9100002366	1	CHAIN ANTISTATIC KIT	[3]

Part Notes:

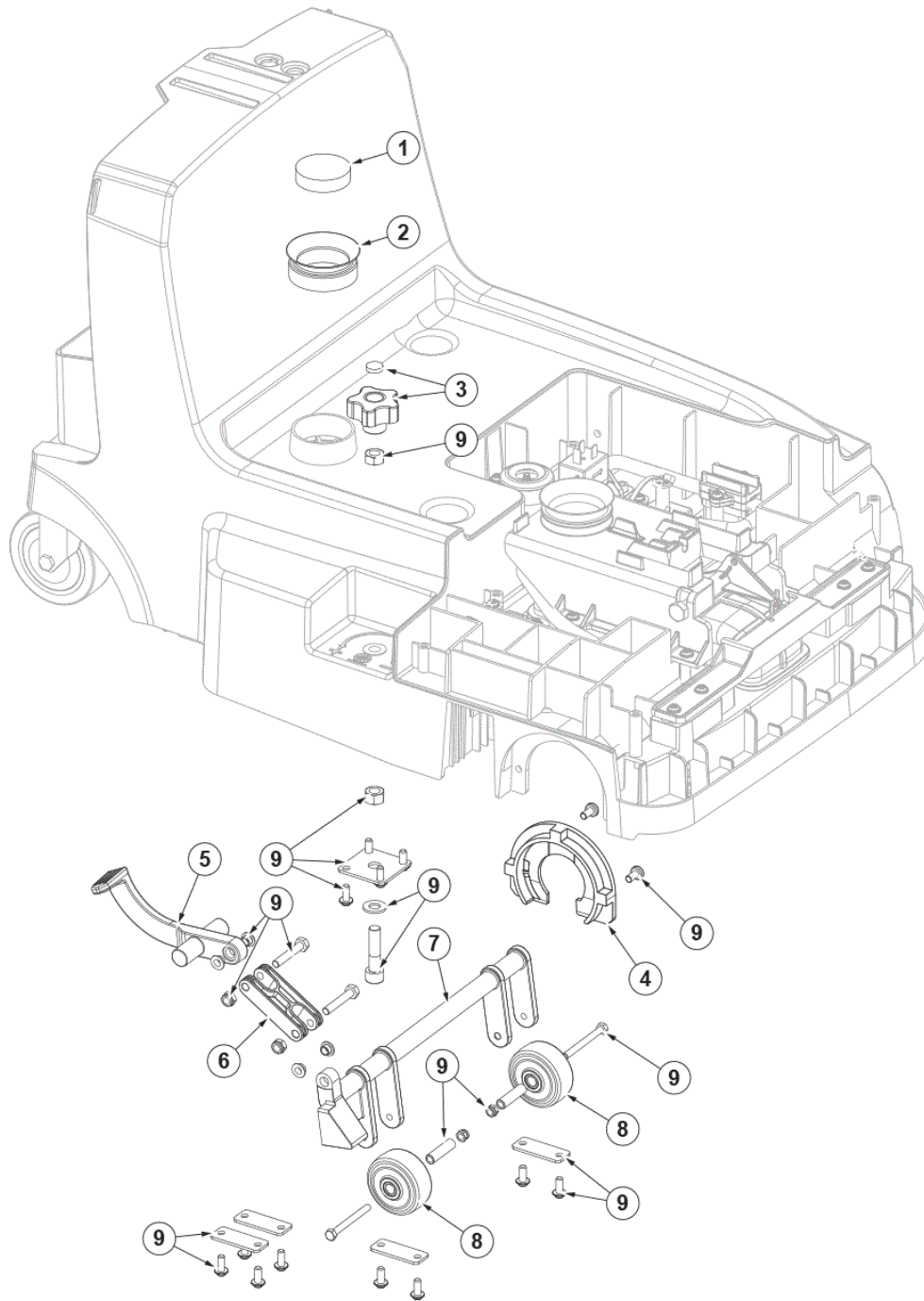
- [1] - See TSB-FC-2017-038
DE TSB-FC-2017-038 SC250 Scrubtec 334C neue Steuerung
- [2] - SEE INST. INSTR. 9100002252
- [3] - SEE INST. INSTR. 9100002365



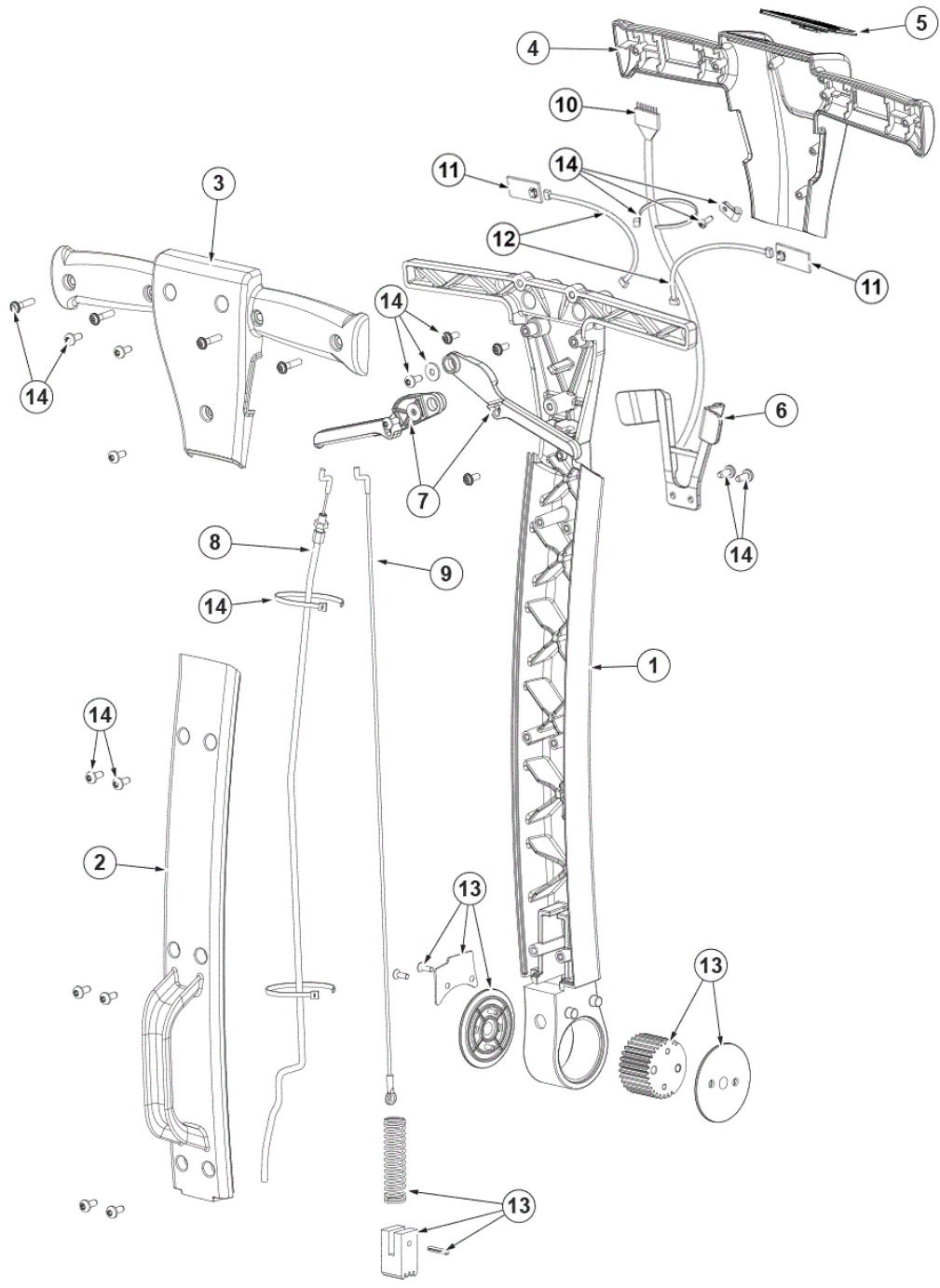
Pos.	Artikel-Nr.	Menge	Variante	Notes
1	9100002041	1	Motor Set 36V 200W	
2	9100001987	1	Saugmotor 36V 200W PKD	
3	9100002042	1	SEALINGS MOTOR VACUUM KIT	
4	9100001983	1	SUPPORT EXT. PLAST. F VAC. MOTOR KIT	
5	9100001989	1	SUPPORT INT. PLAST. F VAC. MOTOR SIP	
6	9100001996	1	HARNES VACUUM MOTOR SIP	
7	9100002045	1	Lenkrolle D75 Kit	
8	9100001992	1	CONTAINER PLAST. F BATTERY CHARGER SIP	
9	1466337000	1	TIE CABLE 4.8X430 WHITE 2 PCS SET	
10	9100002046	1	HARDWARE VACUUM SYSTEM KIT	



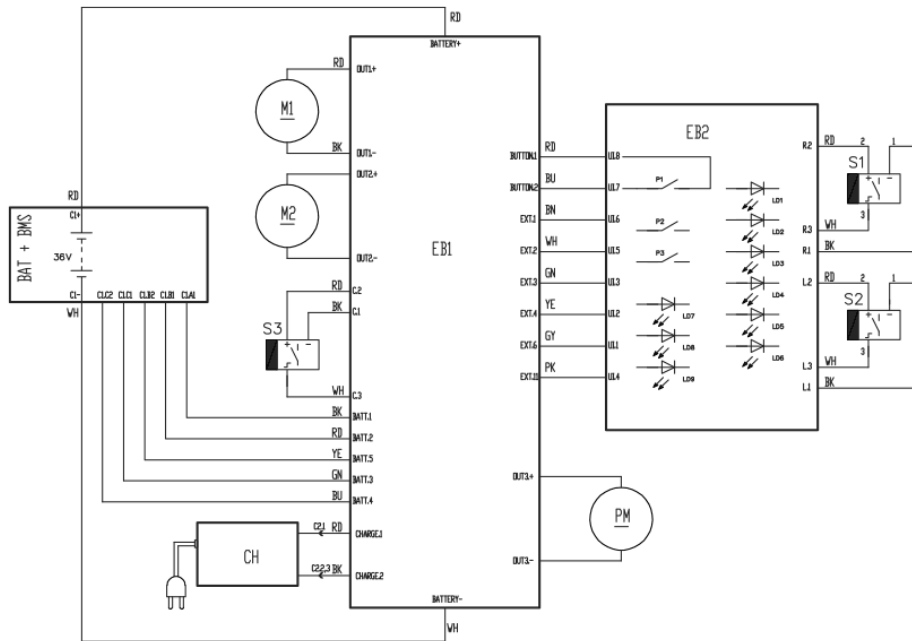
Pos.	Artikel-Nr.	Menge	Variante	Notes
1	9100001959	1	CHASSIS PLAST. GREY SIP	
2	9100001995	1	Kabelset Wasserpumpe	
3	9100002047	1	FILTER PLAST. F WATER PUMP KIT	
4	9100001997	1	SUPPORT PLAST. F WATER FILTER SIP	
5	9100001981	1	Wasserpumpe 24V 18W 21L/H	
6	9100002048	1	SCHLAUCH SET	
7	9100002049	1	SENSOR KAPAZIVIT SET	
8	9100001977	4	HOLDER SQUEEGEE PLAST. SIP	
9	9100001984	4	SPRING COMPRESS. D.E.17.6 WIRE D.1.2 SIP	
10	9100001975	2	Wasserverteiler weich Kunststoff	
11	9100001978	1	PLATE ALU SQUEEGEE LIFTER SIP	
12	9100001980	1	HOOK METAL F FRONT SQUEEGEE LIFT. SIP	
13	9100001979	1	ROD LIFTING SQUEEGEE PLAST. SIP	
14	9100001974	1	CHAMBER VACUUMING RUBBER SIP	
15	9100001976	1	SUPPORT PLAST. F VAC. CHAMBER SIP	
16	9100002044	1	HARDWARE SOLUTION VAC CHAMBER KIT	



Pos.	Artikel-Nr.	Menge	Variante	Notes
1	9100001278	1	Filter für Saugmotor	
2	9100001958	1	Abdichtung	
3	33022889	1	KNOB KIT	
4	9100001973	1	SUPPORT ALU F BRUSH HOOKING SIP	
5	9100001962	1	PEDAL ALU F MACHINE PARKING SIP	
6	9100001982	1	LEVER PLAST. F PEDAL SIP	
7	9100001961	1	SUPPORT ALU F FIXED WHEELS SIP	
8	9100000559	2	Rad grau D.51	
9	9100002043	1	HARDWARE PEDAL WHEELS KIT	



Pos.	Artikel-Nr.	Menge	Variante	Notes
1	9100001999	1	HANDLE BAR ALU SIP	
2	9100002004	1	COVER PLAST. GREY F HANDLE SIP	
3	9100002001	1	COVER LOWER PLAST. GREY F HANDLE SIP	
4	9100002000	1	COVER UPPER PLAST. GREY F HANDLE SIP	
5	9100001985	1	CONTROLLER USER INTERFACE SIP	
6	9100002005	1	LOCK LEVER PLAST. SIP	
7	9100002003	2	LEVER ALU F HANDLE ADJUST. SIP	
8	9100002002	1	Kabel für Saugleistenanhebung	
9	9100001998	1	CABLE HANDLE ADJUSTING SIP	
10	9100001986	1	HARNES HANDLE BAR SIP	
11	9100002016	2	SENSOR CAPACITIVE SIP	
12	9100002006	2	HARNES HANDLE BAR SENSOR SIP	
13	9100002020	1	HANDLE LOCK KIT	
14	9100002021	1	HARDWARE HANDLE BAR KIT	



Pos.	Artikel-Nr.	Menge	Variante	Notes
BAT	9100002070	1	BATTERIE LI 36V 10S4P OHNE GRIFF	[1]
C1	9100002038	1	HARNESS BATTERY KIT	
CH	9100002058	1	Ladegerät Batterie LI 100-240V 1.25A	
EB1	9100002260	1	CONTROLLER MAIN MACH.P24 PROGR. SIP	
EB2	9100001985	1	CONTROLLER USER INTERFACE SIP	
M1	9100001966	1	MOTOR BRUSH 180W 36V SIP	
M2	9100001987	1	Saugmotor 36V 200W PKD	
PM	9100001981	1	Wasserpumpe 24V 18W 21L/H	
S1	9100002016	1	SENSOR CAPACITIVE SIP	
S2	9100002016	1	SENSOR CAPACITIVE SIP	
S3	9100002049	1	SENSOR KAPAZIVIT SET	

Part Notes:

- [1] - TSB-FC-2017-062 battery firmware SC250
- TSB-FC-2017-038 new PCBA SC250
- DE TSB-FC-2017-038 SC250 Scrubtec 334C neue Steuerung

Pos.	Artikel-Nr.	Menge	Variante	Notes
NW	9100002066	1	Bürste zyl. 340mm mittel	
NW	9100002064	1	Saugfuss 360MM PU 2 St. SET	
OM	9100001993	1	DICHTUNG KUGELVERSTÄRKT L1030mm	
OM	9100001971	1	Riemen HTD/OMEGA 669 3M 09	
OM	9100001987	1	Saugmotor 36V 200W PKD	
OM	9100001975	2	Wasserverteiler weich Kunststoff	
OM	9100002045	1	Lenkrolle D75 Kit	
OM	9100001981	1	Wasserpumpe 24V 18W 21L/H	
OM	9100000559	2	Rad grau D.51	
OM	9100002002	1	Kabel für Saugleistenanhebung	
EOM	9100002070	1	BATTERIE LI 36V 10S4P OHNE GRIFF	
EOM	9100002058	1	Ladegerät Batterie LI 100-240V 1.25A	
EOM	9100002029	1	VALVE F SOLUTION TANK KIT	
EOM	9100001957	1	HUB TRACTION BRUSH PLAST. SIP	
EOM	9100001966	1	MOTOR BRUSH 180W 36V SIP	
EOM	9100002260	1	CONTROLLER MAIN MACH.P24 PROGR. SIP	
EOM	9100001988	1	BUMPER FRONT PLAST. SIP	
EOM	9100001974	1	CHAMBER VACUUMING RUBBER SIP	
EOM	9100002048	1	SCHLAUCH SET	
EOM	9100002047	1	FILTER PLAST. F WATER PUMP KIT	
EOM	9100001998	1	CABLE HANDLE ADJUSTING SIP	
EOM	9100001985	1	CONTROLLER USER INTERFACE SIP	
EOM	9100002016	2	SENSOR CAPACITIVE SIP	
EOM	9100002049	1	SENSOR KAPAZIVIT SET	
ACC	9100002066	1	Bürste zyl. 340mm mittel	
ACC	9100002067	1	BRUSH CYL 340MM HARD GRIT 320 GREY	
ACC	9100002068	1	BRUSH CYL 340MM MICROFIBRE	
ACC	9100002069	1	BRUSH CYL 340MM SOFT NYLON BLACK	
ACC	9100002064	1	Saugfuss 360MM PU 2 St. SET	
ACC	9100002055	1	CABLE POWER SUPPLY LI UK PLUG	
ACC	9100002056	1	Batterie LI inkl. Ladegerät EU	
ACC	9100002058	1	Ladegerät Batterie LI 100-240V 1.25A	
ACC	9100002070	1	BATTERIE LI 36V 10S4P OHNE GRIFF	
ACC	9100002059	1	HANDGRIFF ORANGE FÜR BATTERIE LI	

