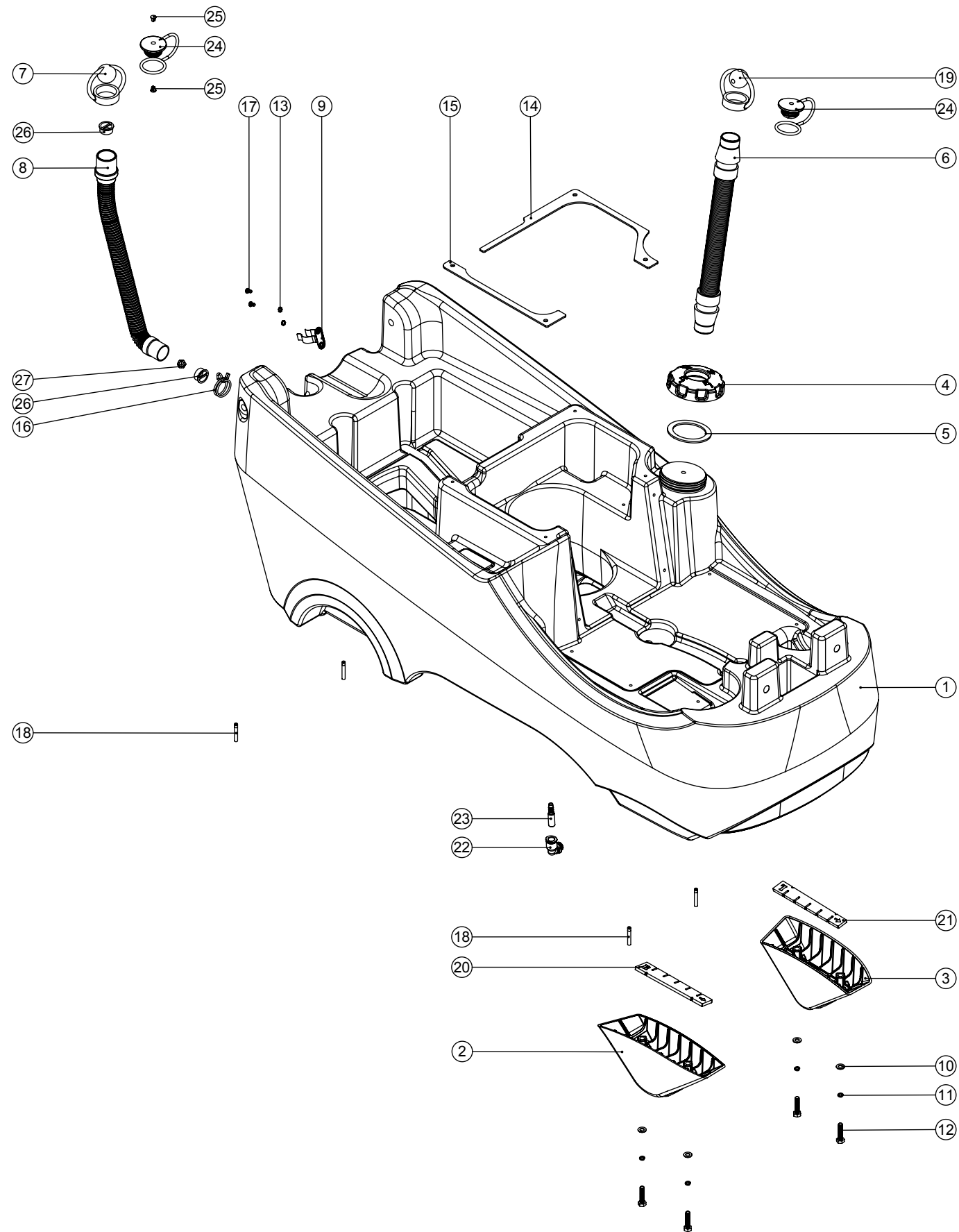


# Numatic International Spare Parts

**Model No:** CRO BOTTOM TANK ASSEMBLY

Internal Code: 599465, 904099  
 MS5 DRAWING: DRW-17607 ISS:A09  
 11/10/16

NB: FOR WIRING SEE DRAWING: N/A



# Numatic International Spare Parts

**Model No:** CRO BOTTOM TANK ASSEMBLY

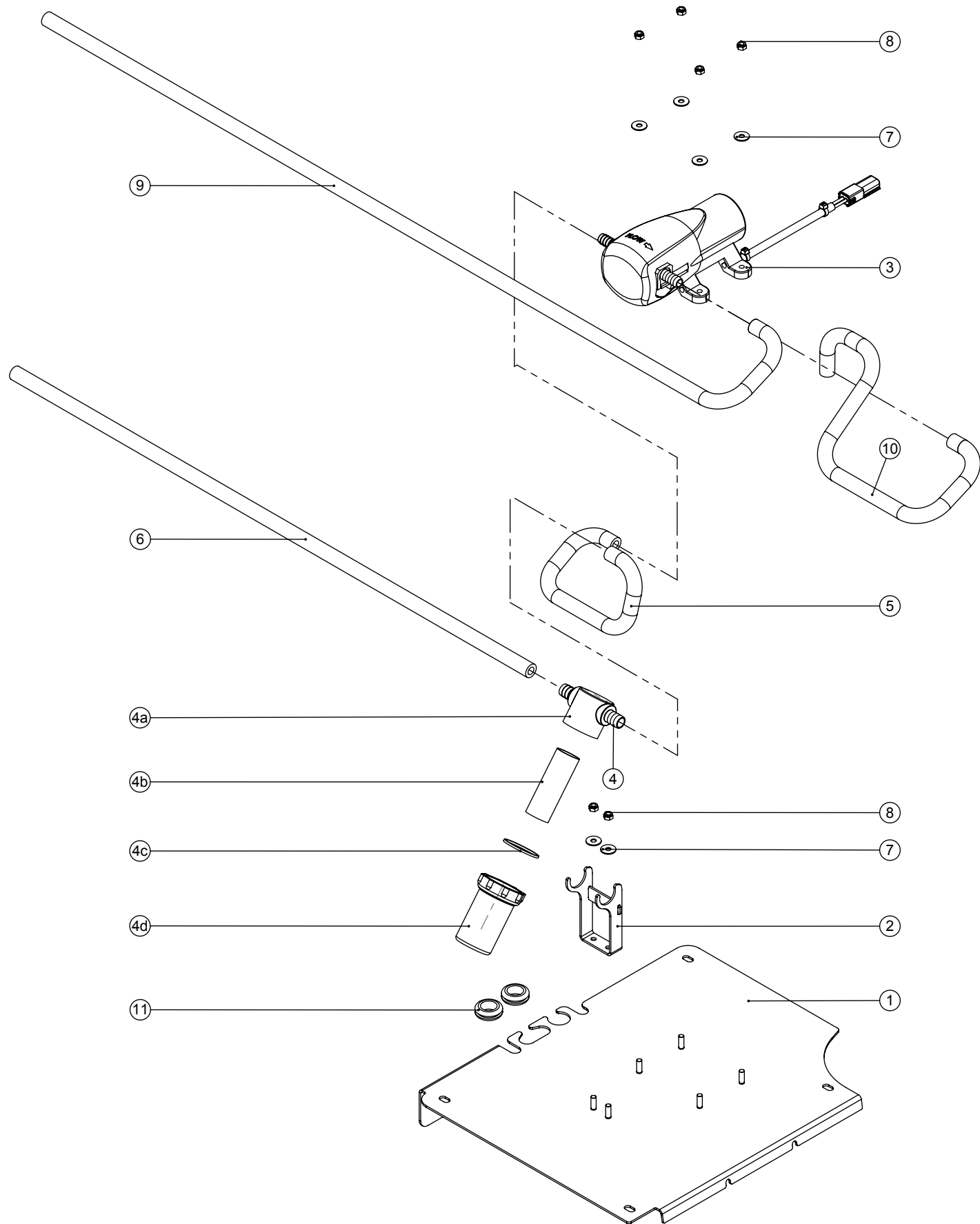
ITEM:	PART No:	DESCRIPTION	COMMENTS:	QTY.
1	237682	MINI RIDE ON BOTTOM TANK		1
2	237684	BOTTOM TANK SCUFF MOULDING RHS		1
3	237685	BOTTOM TANK SCUFF MOULDING LHS		1
4	237174	FILLER CAP WITH FILLER HOSE HOLE		1
5	208564	FILLER CAP SEALING RING		1
6	206842	420MM LONG BLACK STRETCH HOSE C/W CUFFS		1
7	206111	HOSE CLOSURE	CRO8055 ONLY	1
8	208938	25MM X 455MM LG DUMP HOSE		1
9	206818	HOSE CLIP		1
10	219578	M8 FORM A STAINLESS STEEL WASHER		4
11	219898	M8 SINGLE COIL STAINLESS STEEL WASHER		4
12	291112	M8 X 40 LONG HEX BOLT STAINLESS STEEL		4
13	291020	M5 STAINLESS STEEL EXTERNAL SHAKEPROOF LOCK WASHER		2
14	203027	CRO PUMP PLATE GASKET LH		1
15	203028	CRO PUMP PLATE GASKET RH		1
16	902133	SPRING WIRE CLAMP (YDNAC-Y8010356)		1
17	291004	M5 X 10MM LONG STAINLESS STEEL BUTTON HEAD SCREW		2
18	291158	M6 X 40MM LONG GRUB SCREW STAINLESS STEEL C/W THREADLOCK		4
19	304439	PROCESSED HOSE CLOSURE	CRO8055 ONLY	1
20	392464	RHS SCUFF MOULDING SPACER		1
21	392465	LHS SCUFF MOULDING SPACER		1
22	901539	ELBOW ANGLE CONNECTOR 3/8 PARALLEL THREAD C/W O-RING TO 12MM PUSH IN		1
23	901534	PUSH IN BARBED CONNECTOR - 12MM OD 8MM ID		1
24	903341	32MM HOSE CAP RED (C/W 8MM HOLE)	CRO8055G & CRO8072 ONLY	2
25	904403	BARBED RIVET BLACK	CRO8055G & CRO8072 ONLY	2
26	904108	FLOAT STOP MOULDING	CRO8055G & CRO8072 ONLY	2
27	904109	FLOAT MOULDING	CRO8055G & CRO8072 ONLY	1

# Numatic International Spare Parts

**Model No:** CRO PUMP AND FILTER SUB ASSY

Internal Code: N/A  
 MS5 DRAWING: DRW-17506 ISS:A09  
 21/09/2016

NB: FOR WIRING SEE DRAWING: N/A



# Numatic International Spare Parts

**Model No:** CRO PUMP AND FILTER SUB ASSY

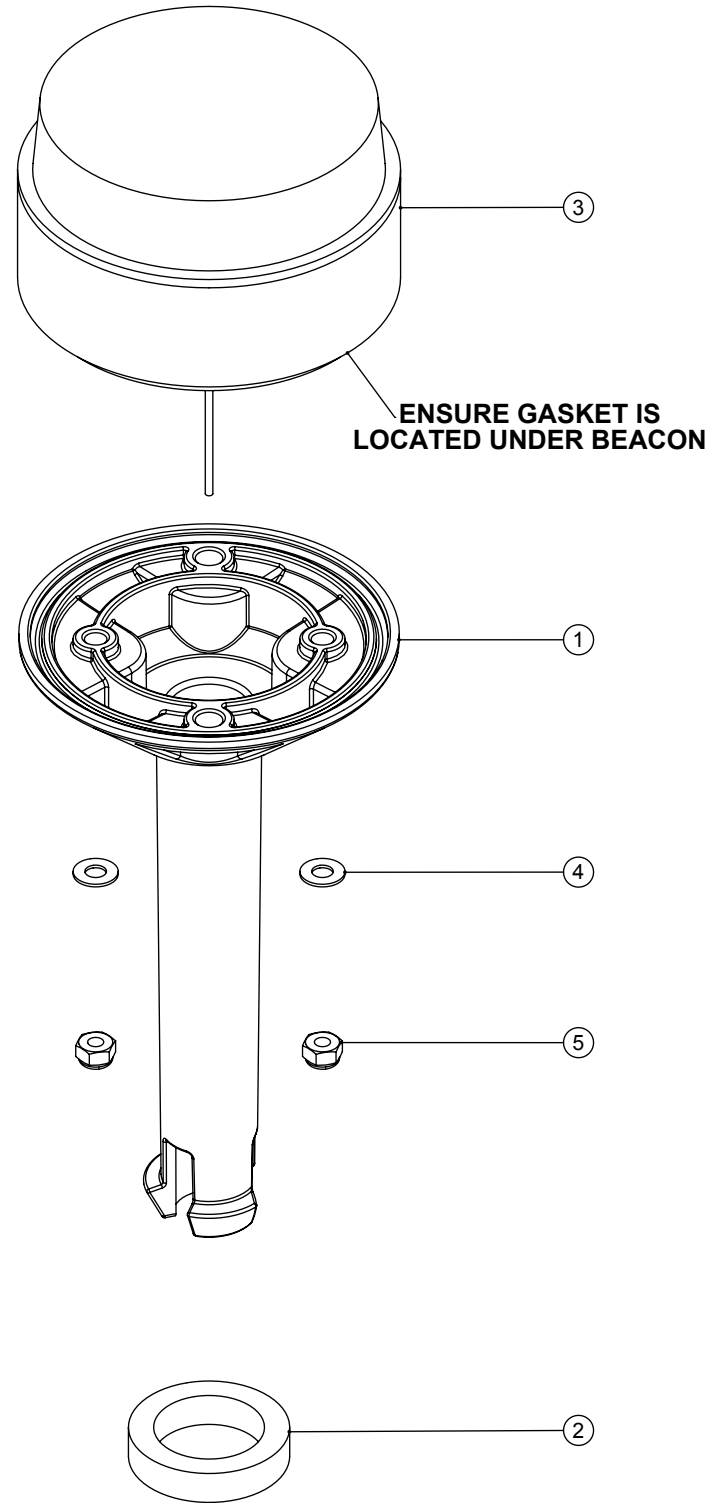
ITEM:	PART No:	DESCRIPTION	COMMENTS:	QTY.
1	392419	CRO PUMP AND FILTER PLATE CLINCH STUD ASSY		1
2	304521	FILTER PLATE ASSEMBLY		1
3	230278	WATER PUMP ASSEMBLY		1
4	208888	EXTENDED STRAINER	INCLUDE 4a,4b,4c,4d	1
4a	208827	STRAINER BLACK TOP	SPARE ITEM	1
4b	208889	EXTENDED STRAINER 50 MESH SCREEN	SPARE ITEM	1
4c	208830	STRAINER GASKET	SPARE ITEM	1
4d	208890	EXTENDED STRAINER CLEAR BOWL	SPARE ITEM	1
5	391525	CRO FILTER TO PUMP TUBE 300MM LG		1
6	391526	CRO TANK TO FILTER TUBE 700MM LG		1
7	219644	M5 FORM G STAINLESS STEEL WASHER		6
8	219633	M5 STAINLESS STEEL NYLON INSERT NUT		6
9	391527	CRO PUMP TO BRUSH DECK TUBE 1030MM LG	CRO8055 ONLY	1
10	904296	CRO PUMP TO FLOW DIVIDER TUBE 470MM LG	CRO8072 ONLY	1
11	219934	GROMMET	ONLY ONE GROMMET RQUIRED FOR CRO8072	2

# Numatic International Spare Parts

Model No: BEACON MOUNT ASSY

Internal Code: N/A  
DRAWING: DRW-17381 ISS:A03  
PRO 15/05/2015

NB: FOR WIRING SEE DRAWING: N/A



# Numatic International Spare Parts

Model No: BEACON MOUNT ASSY

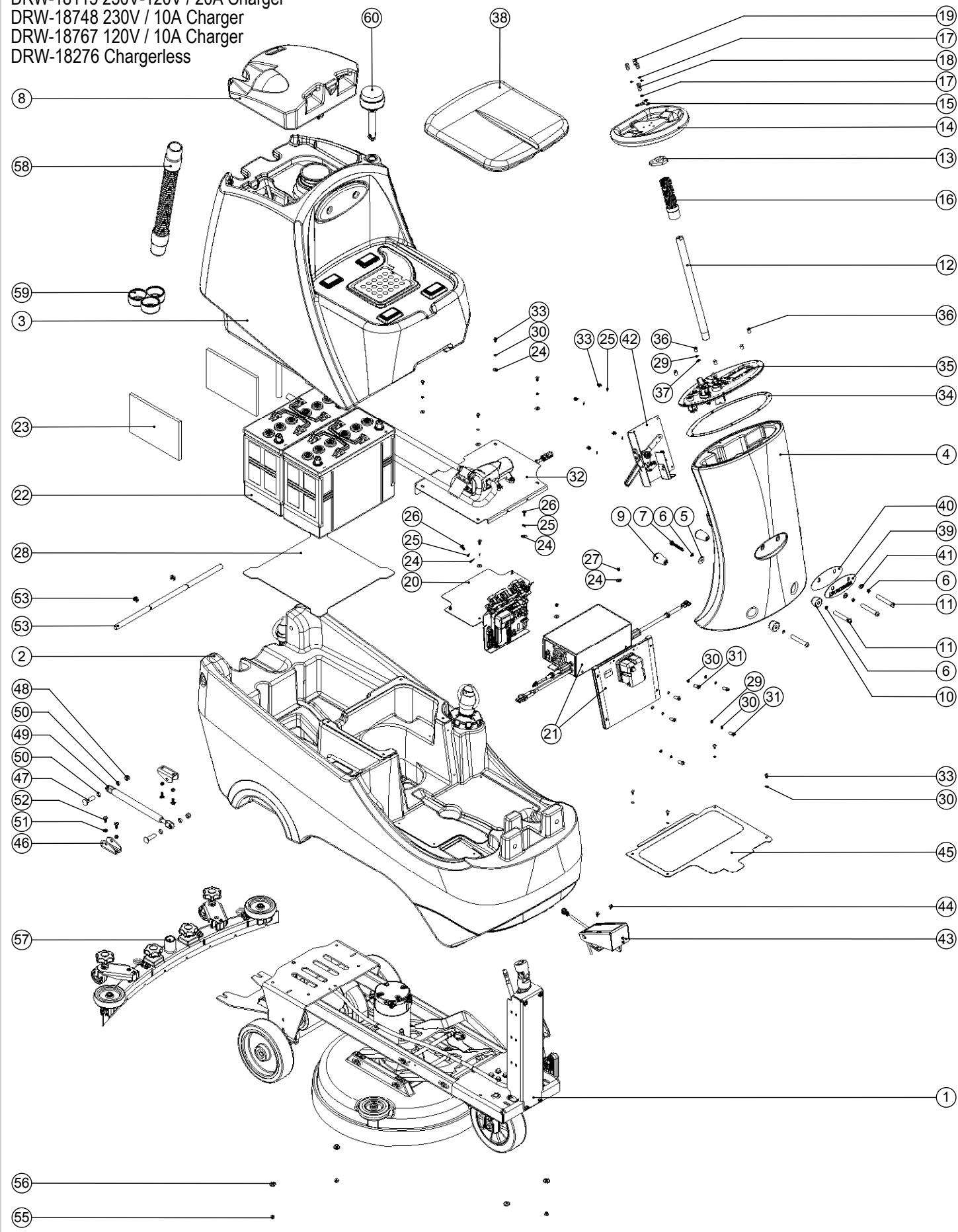
ITEM:	PART No:	DESCRIPTION	COMMENTS:	QTY.
1	237681	BEACON MOUNT		1
2	208984	32MM O/D X 22MM I/D X 7MM SELF ADHESIVE GASKET		1
3	208867	FLASHING XENON BEACON X80 SERIES		1
4	219688	M4 FORM A STAINLESS STEEL WASHER		2
5	219687	M4 STAINLESS STEEL NYLON INSERT NUT		2

# Numatic International Spare Parts

**Model No:** MINI RIDE ON GENERAL ASSEMBLY EXP

NB: FOR WIRING SEE DRAWING:

- DRW-17042 230V / 35A Charger
- DRW-18115 230V-120V / 20A Charger
- DRW-18748 230V / 10A Charger
- DRW-18767 120V / 10A Charger
- DRW-18276 Chargerless



Internal Code: 777550  
 DRAWING: DRW-15507 ISS:A06  
 PRO 15/05/2015

# Numatic International Spare Parts

**Model No:** MINI RIDE ON GENERAL ASSEMBLY EXP

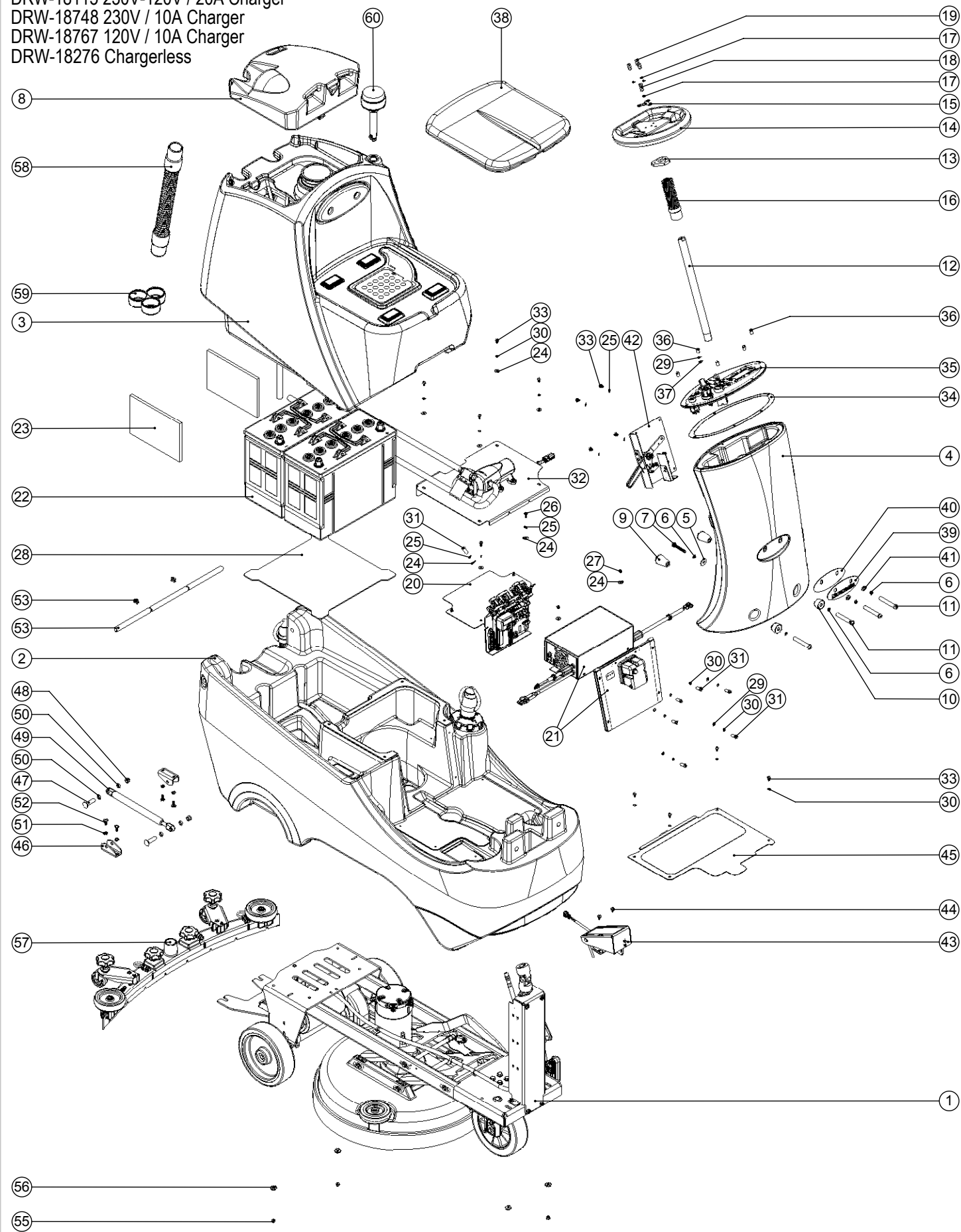
ITEM:	PART No:	DESCRIPTION	COMMENTS:	QTY.
1	599530	MINI RIDE ON CHASSIS GENERAL ASSEMBLY	SEE DRW-15518	1
2	-	CRO BOTTOM TANK ASSY	SEE DRW-17607	1
3	599464	MINI RIDE ON TOP TANK ASSEMBLY	SEE DRW-15376	1
4	237683	MINI RIDE ON STEERING COLUMN		1
5	219716	M8 FORM G STAINLESS STEEL WASHER		1
6	219898	M8 SINGLE COIL STAINLESS STEEL WASHER		5
7	219922	M8 X 50MM LONG SOCKET BUTTON HEAD STAINLESS STEEL BOLT		1
8	-	CRO SEPARATOR ASSY	SEE DRW-17590	1
9	208903	TAPERED BUSH (TAPPED)		2
10	208904	TAPERED BUSH (CLEARANCE)		2
11	291142	M8 X 70MM LG SOCKET BUTTON HEAD SCREW STAINLESS STEEL		4
12	208901	UPPER STEERING SHAFT		1
13	404214	STEERING WHEEL PLATE		1
14	208900	GSL 255MM STEERING WHEEL		1
15	392500	STEERING WHEEL TOP PLATE		1
16	380000	STEERING SHAFT COVER HOSE 135mm LONG	208466 CUT TO LENGTH	1
17	219718	M6 STAINLESS STEEL SPRING WASHER		4
18	291144	M6 X 20MM LG HEX HEAD SCREW STAINLESS STEEL C/W THREADLOCK		1
19	291143	M6 X 16MM LG SOCKET BUTTON HEAD SCREW STAINLESS STEEL C/W THREADLOCK		3
20	N/A	CRO CHARGER PLATE AND PCB ASSEMBLY	SEE DRW-17539	1
21	N/A	CRO AC SUPPLY PLATE AND CHARGER ASSY	SEE DRW-17570	1
22	230262	SONNENSCHN 120AH BATTERY	CRO 8055/120T	2
	205112	100 AMP/HOUR REPLACEMENT BATTERY	CRO 8055/100T	2
23	208645	FOAM BATTERY SPACER		2
24	219644	M5 FORM G STAINLESS STEEL WASHER		9
25	219861	M5 SINGLE COIL STAINLESS STEEL WASHER		7
26	219740	M5 X 12MM LONG STAINLESS STEEL POZI PAN SCREW		3
27	219633	M5 STAINLESS STEEL NYLON INSERT NUT		2
28	392501	BATTERY PLATE		1
29	219355	M5 FORM A STAINLESS STEEL WASHER		5
30	291084	WASHER.M5.SHAKEPROOF.STAINLESS STEEL		14
31	291168	M5 X 20MM LONG SOCKET BUTTON HEAD STAINLESS STEEL SCREW		6
32	-	CRO PUMP AND FILTER SUB ASSY	SEE DRW-17506	1
33	291004	M5 X 10MM LONG STAINLESS STEEL BUTTON HEAD SCREW		12
34	203040	CRO CONTROL PANEL GASKET (LOWER)		1
35	-	CRO DASH ASSY	SEE DRW-17585	1
36	291160	M5 X 12MM LONG STAINLESS STEEL BUTTON HEAD SCREW		5
37	219462	RUBBER WASHER		1
38	208862	SEAT MOULDING		1
39	392433	NUMATIC NAME PLATE		1
40	392432	BLACK NAME PLATE SPACER		1
41	219578	M8 FORM A STAINLESS STEEL WASHER		2
42	-	FLOOR TOOL LIFTING PLATE ASSEMBLY	SEE DRW-16175	1
43	330211	ACCELERATOR PEDAL ASSY (EDAC CONNECTOR)	SEE DRW-18638	1
44	291135	M5 X 10MM LONG STAINLESS STEEL POZI PAN SEMS SCREW		2
45	-	FOOTPLATE TREAD PAD POSITION & SEAL POSITION	SEE DRW-17134	1
46	392455	GAS STRUT BRACKET - CARRIAGE BOLT		2
47	291120	M8 X 40 CARRIAGE BOLT S/S		2
48	219639	M8 STAINLESS STEEL NYLON INSERT NUT		2
49	208907	GAS STRUT C/W END FITTINGS 100NM		1
50	291121	NYLON SPACER I/D 8.2MM X O/D 12MM X 5MM LG		4
51	219870	M6 FORM A WASHER STAINLESS STEEL		4
52	219646	M6 X 16MM LONG POZI PAN STAINLESS STEEL SCREW		4
53	208902	MINI RIDE ON PIVOT BAR		1
53	208072	PLASTIC FIXING RING		2
55	219642	M6 STAINLESS STEEL NYLON INSERT NUT		4
56	219647	M6 FORM G STAINLESS STEEL WASHER		4
57	599469	650 TWINTEC ALUMINIUM FLOOR TOOL (38MM HOSE)		1
58	213061	SUCTION HOSE 1330MM X Ø38MM		1
59	237718	HOSE GUIDE		1
60	-	BEACON MOUNT ASSY	SEE DRW-17381	1

# Numatic International Spare Parts

**Model No:** MINI RIDE ON GENERAL ASSEMBLY EXP

NB: FOR WIRING SEE DRAWING:

- DRW-17042 230V / 35A Charger
- DRW-18115 230V-120V / 20A Charger
- DRW-18748 230V / 10A Charger
- DRW-18767 120V / 10A Charger
- DRW-18276 Chargerless



Internal Code: 777550  
 DRAWING: DRW-15507 ISS:A09  
 PRO 03/11/2015

# Numatic International Spare Parts

**Model No:** MINI RIDE ON GENERAL ASSEMBLY EXP

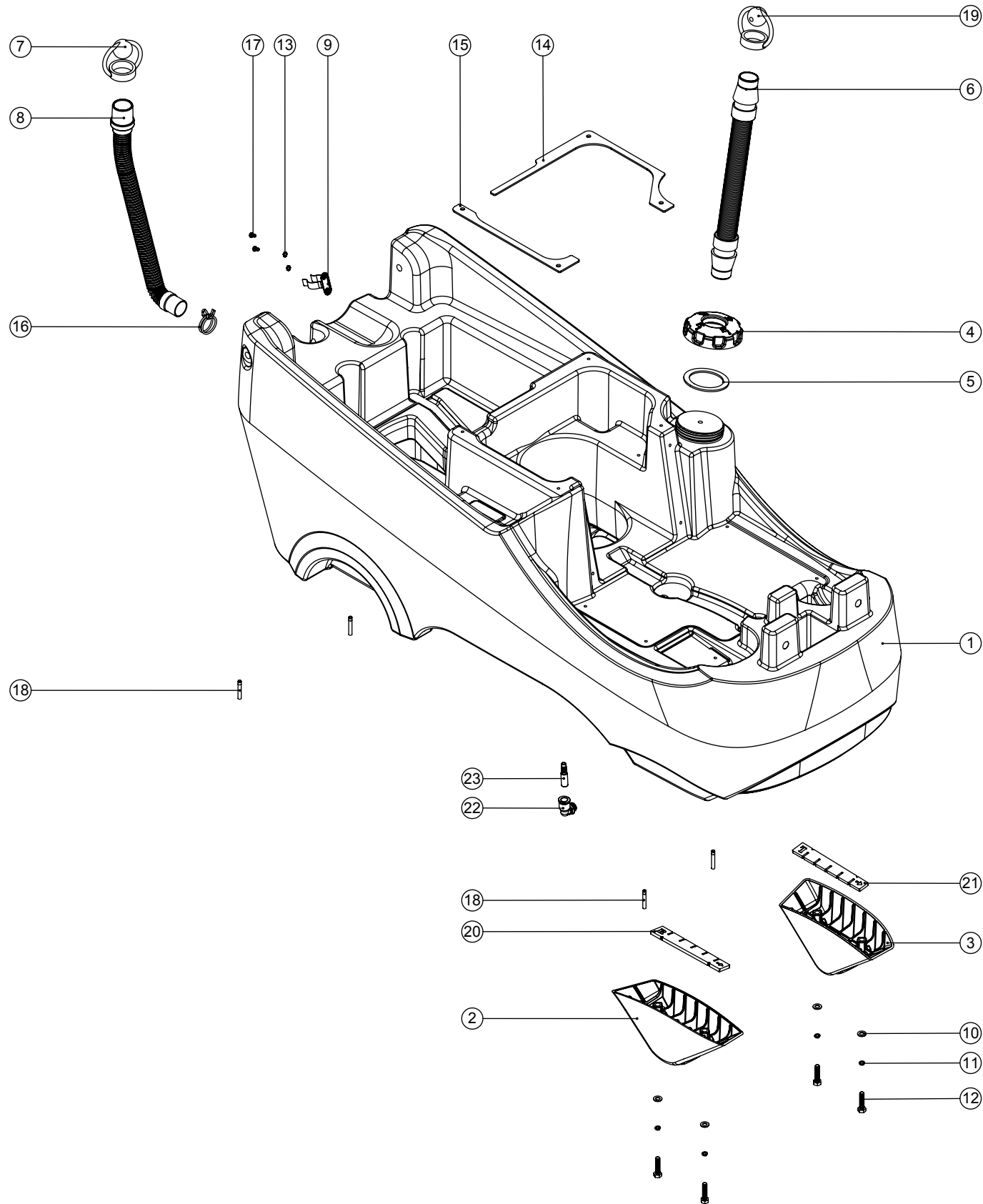
ITEM:	PART No:	DESCRIPTION	COMMENTS:	QTY.
1	599530	MINI RIDE ON CHASSIS GENERAL ASSEMBLY	SEE DRW-15518	1
2	N/A	CRO BOTTOM TANK ASSY	SEE DRW-17607	1
3	599464	MINI RIDE ON TOP TANK ASSEMBLY	SEE DRW-15376	1
4	237683	MINI RIDE ON STEERING COLUMN		1
5	219716	M8 FORM G STAINLESS STEEL WASHER		1
6	219898	M8 SINGLE COIL STAINLESS STEEL WASHER		5
7	219922	M8 X 50MM LONG SOCKET BUTTON HEAD STAINLESS STEEL BOLT		1
8	N/A	CRO SEPARATOR ASSY	SEE DRW-17590	1
9	208903	TAPERED BUSH (TAPPED)		2
10	208904	TAPERED BUSH (CLEARANCE)		2
11	291142	M8 X 70MM LG SOCKET BUTTON HEAD SCREW STAINLESS STEEL		4
12	208901	UPPER STEERING SHAFT		1
13	404214	STEERING WHEEL PLATE		1
14	208900	GSL 255MM STEERING WHEEL		1
15	392500	STEERING WHEEL TOP PLATE		1
16	380000	STEERING SHAFT COVER HOSE 135mm LONG	208466 CUT TO LENGTH	1
17	219718	M6 STAINLESS STEEL SPRING WASHER		4
18	291144	M6 X 20MM LG HEX HEAD SCREW STAINLESS STEEL C/W THREADLOCK		1
19	291143	M6 X 16MM LG SOCKET BUTTON HEAD SCREW STAINLESS STEEL C/W THREADLOCK		3
20	N/A	CRO CHARGER PLATE AND PCB ASSEMBLY	SEE DRW-17539	1
21	N/A	CRO AC SUPPLY PLATE AND CHARGER ASSY	SEE DRW-17570	1
22	230262	SONNENSCHN 120AH BATTERY	CRO 8055/120T	2
	205112	100 AMP/HOUR REPLACEMENT BATTERY	CRO 8055/100T	2
23	208645	FOAM BATTERY SPACER		2
24	219644	M5 FORM G STAINLESS STEEL WASHER		9
25	219861	M5 SINGLE COIL STAINLESS STEEL WASHER		7
26	219740	M5 X 12MM LONG STAINLESS STEEL POZI PAN SCREW		2
27	219633	M5 STAINLESS STEEL NYLON INSERT NUT		2
28	392501	BATTERY PLATE		1
29	219355	M5 FORM A STAINLESS STEEL WASHER		5
30	291084	WASHER.M5.SHAKEPROOF.STAINLESS STEEL		14
31	291168	M5 X 20MM LONG SOCKET BUTTON HEAD STAINLESS STEEL SCREW		7
32	N/A	CRO PUMP AND FILTER SUB ASSY	SEE DRW-17506	1
33	291004	M5 X 10MM LONG STAINLESS STEEL BUTTON HEAD SCREW		12
34	203040	CRO CONTROL PANEL GASKET (LOWER)		1
35	N/A	CRO DASH ASSY	SEE DRW-17585	1
36	291160	M5 X 12MM LONG STAINLESS STEEL BUTTON HEAD SCREW		5
37	219462	RUBBER WASHER		1
38	208862	SEAT MOULDING		1
39	392433	NUMATIC NAME PLATE		1
40	392432	BLACK NAME PLATE SPACER		1
41	219578	M8 FORM A STAINLESS STEEL WASHER		2
42	-	FLOOR TOOL LIFTING PLATE ASSEMBLY	SEE DRW-16175	1
43	330211	ACCELERATOR PEDAL ASSY (EDAC CONNECTOR)	SEE DRW-18638	1
44	291135	M5 X 10MM LONG STAINLESS STEEL POZI PAN SEMS SCREW		2
45	-	FOOTPLATE TREAD PAD POSITION & SEAL POSITION	SEE DRW-17134	1
46	392455	GAS STRUT BRACKET - CARRIAGE BOLT		2
47	291120	M8 X 40 CARRIAGE BOLT S/S		2
48	219639	M8 STAINLESS STEEL NYLON INSERT NUT		2
49	208907	GAS STRUT C/W END FITTINGS 100NM		1
50	291121	NYLON SPACER I/D 8.2MM X O/D 12MM X 5MM LG		4
51	219870	M6 FORM A WASHER STAINLESS STEEL		4
52	219646	M6 X 16MM LONG POZI PAN STAINLESS STEEL SCREW		4
53	208902	MINI RIDE ON PIVOT BAR		1
53	208072	PLASTIC FIXING RING		2
55	219642	M6 STAINLESS STEEL NYLON INSERT NUT		4
56	219647	M6 FORM G STAINLESS STEEL WASHER		4
57	599469	650 TWINTEC ALUMINIUM FLOOR TOOL (38MM HOSE)		1
58	213061	SUCTION HOSE 1330MM X Ø38MM		1
59	237718	HOSE GUIDE		1
60	N/A	BEACON MOUNT ASSY	SEE DRW-17381	1

# Numatic International Spare Parts

**Model No:** CRO BOTTOM TANK ASSEMBLY

Internal Code: N/A  
 DRAWING: DRW-17607 ISS:A07  
 PRO 03/11/2015

NB: FOR WIRING SEE DRAWING: N/A



# Numatic International Spare Parts

**Model No:** CRO BOTTOM TANK ASSEMBLY

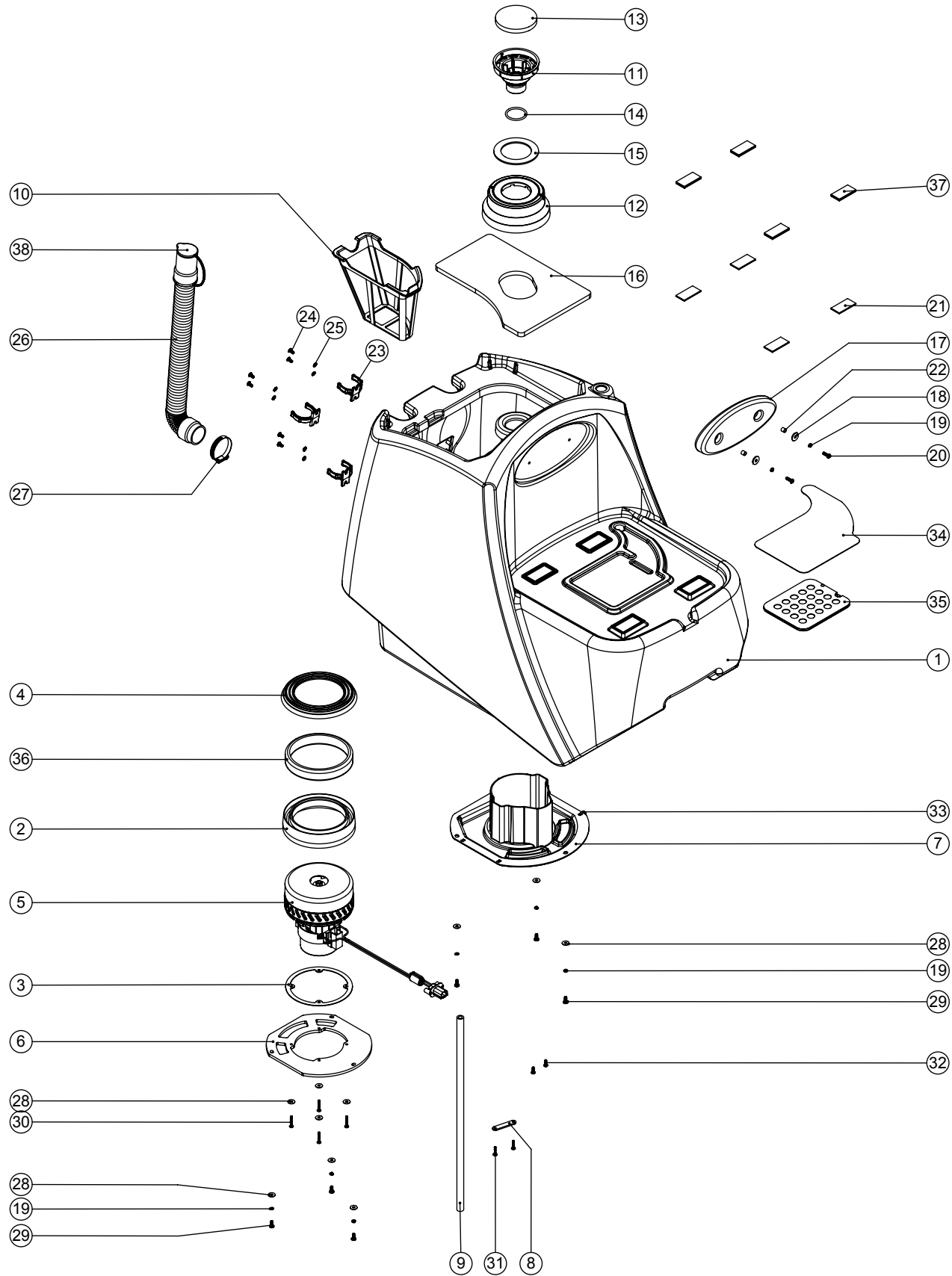
ITEM:	PART No:	DESCRIPTION	COMMENTS:	QTY.
1	237682	MINI RIDE ON BOTTOM TANK		1
2	237684	BOTTOM TANK SCUFF MOULDING RHS		1
3	237685	BOTTOM TANK SCUFF MOULDING LHS		1
4	237174	FILLER CAP WITH FILLER HOSE HOLE		1
5	208564	FILLER CAP SEALING RING		1
6	206842	420MM LONG BLACK STRETCH HOSE C/W CUFFS		1
7	206111	HOSE CLOSURE		1
8	208938	25MM X 455MM LG DUMP HOSE		1
9	206818	HOSE CLIP		1
10	219578	M8 FORM A STAINLESS STEEL WASHER		4
11	219898	M8 SINGLE COIL STAINLESS STEEL WASHER		4
12	291112	M8 X 40 LONG HEX BOLT STAINLESS STEEL		4
13	291020	M5 STAINLESS STEEL EXTERNAL SHAKEPROOF LOCK WASHER		2
14	203027	CRO PUMP PLATE GASKET LH		1
15	203028	CRO PUMP PLATE GASKET RH		1
16	902133	SPRING WIRE CLAMP (YDNAC-Y8010356)		1
17	291004	M5 X 10MM LONG STAINLESS STEEL BUTTON HEAD SCREW		2
18	291158	M6 X 40MM LONG GRUB SCREW STAINLESS STEEL C/W THREADLOCK		4
19	304439	PROCESSED HOSE CLOSURE		1
20	392464	RHS SCUFF MOULDING SPACER		1
21	392465	LHS SCUFF MOULDING SPACER		1
22	901539	ELBOW ANGLE CONNECTOR 3/8 PARALLEL THREAD C/W O-RING TO 12MM PUSH IN		1
23	901534	PUSH IN BARBED CONNECTOR - 12MM OD 8MM ID		1

# Numatic International Spare Parts

**Model No:** MINI RIDE ON TOP TANK ASSEMBLY EXP

Internal Code: 599464  
 DRAWING: DRW-15376 ISS:A04  
 PRO 15/05/2015

NB: FOR WIRING SEE DRAWING: N/A



# Numatic International Spare Parts

**Model No:** MINI RIDE ON TOP TANK ASSEMBLY EXP

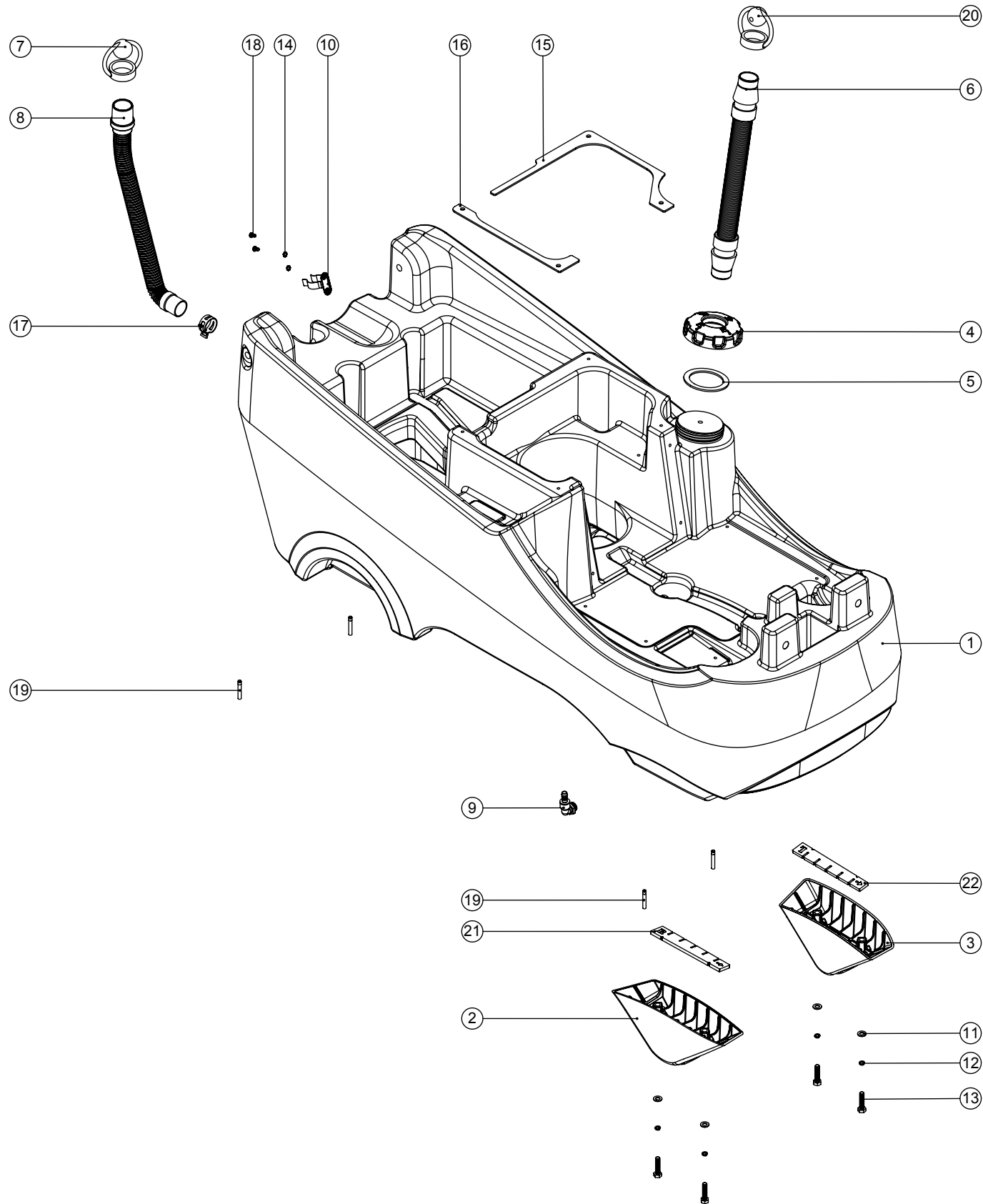
ITEM:	PART No:	DESCRIPTION	COMMENTS:	QTY.
1	237611	MINI RIDE ON TOP TANK (SHELLED)		1
2	202069	BOTTOM MOTOR GASKET		1
3	202139	MOTOR GASKET		1
4	202077	BOTTOM MOTOR GASKET		1
5	323258	VAC MOTOR 24V WITH PLUG AND FERRITE		1
6	392374	MOTOR MOUNT PLATE		1
7	237620	EXHAUST DIVERTER MOULDING		1
8	392496	WIRE RETAINER		1
9	391528	EXHAUST DIVERTER DRAIN HOSE 500MM LG		1
10	207000	GRIT FILTER BASKET		1
11	237618	AIR FILTER MOULDING		1
12	237619	VAC SHUT OFF MOULDING		1
13	208861	AIR FILTER		1
14	208860	O RING 39MM ID X 3.5MM DIA.		1
15	208858	LOWER SEALING RING		1
16	208980	CRO FOAM PAD		1
17	208864	BACK PAD MOULDING		1
18	291118	M5 STAINLESS STEEL WASHER 19MM OD		2
19	219861	M5 SINGLE COIL STAINLESS STEEL WASHER		8
20	219785	M5 X 16MM LONG BUTTON HEAD STAINLESS STEEL SCREW		2
21	208865	VELCRO LOOP 50 X 25 SELF ADHESIVE BACKED		4
22	208475	8MM SPACER		2
23	237754	35-38MM HOSE CLIP		3
24	291004	M5 X 10MM LONG STAINLESS STEEL BUTTON HEAD SCREW		6
25	291020	M5 STAINLESS STEEL EXTERNAL SHAKEPROOF LOCK WASHER		6
26	280017	35MM X 380MM LONG 3:1 STRETCH HOSE C/W CAP & STRAP (SHORT CUFF)		1
27	219919	32MM-50MM STAINLESS STEEL HOSE CLIP		1
28	219644	M5 FORM G STAINLESS STEEL WASHER		10
29	219740	M5 X 12MM LONG STAINLESS STEEL POZI PAN SCREW		6
30	219369	No8 X 1 INCH LONG POZI PAN STAINLESS STEEL PLASTITE SCREW		4
31	219568	No8 X 3/4 INCH LONG POZI PAN STAINLESS STEEL SCREW		2
32	219569	No8 X 1/2 INCH LONG POZI PAN STAINLESS STEEL PLASTITE SCREW		2
33	220007	BLACK CABLE TIE		2
34	208983	SEAT SWITCH FLEXIBLE MEMBRANE		1
35	323290	PRESSURE PAD		1
36	208981	MOTOR SPACER		1
37	280003	50MM X 25MM BACK TO BACK (HOOK & LOOP)		4
38	900903	HOSE CLOSURE REPLACEMENT KIT (35MM-38MM STRETCH HOSE)	SPARE ITEM	1

# Numatic International Spare Parts

**Model No:** CRO BOTTOM TANK ASSEMBLY

Internal Code: N/A  
 DRAWING: DRW-17607 ISS:A03  
 PRO 15/05/2015

NB: FOR WIRING SEE DRAWING: N/A



# Numatic International Spare Parts

**Model No:** CRO BOTTOM TANK ASSEMBLY

ITEM:	PART No:	DESCRIPTION	COMMENTS:	QTY.
1	237682	MINI RIDE ON BOTTOM TANK		1
2	237684	BOTTOM TANK SCUFF MOULDING RHS		1
3	237685	BOTTOM TANK SCUFF MOULDING LHS		1
4	237174	FILLER CAP WITH FILLER HOSE HOLE		1
5	208564	FILLER CAP SEALING RING		1
6	206842	420MM LONG BLACK STRETCH HOSE C/W CUFFS		1
7	206111	HOSE CLOSURE		1
8	208938	25MM X 455MM LG DUMP HOSE		1
9	208957	3/8" SWIVEL MALE 90 DEG ELBOW		1
10	206818	HOSE CLIP		1
11	219578	M8 FORM A STAINLESS STEEL WASHER		4
12	219898	M8 SINGLE COIL STAINLESS STEEL WASHER		4
13	291112	M8 X 40 LONG HEX BOLT STAINLESS STEEL		4
14	291020	M5 STAINLESS STEEL EXTERNAL SHAKEPROOF LOCK WASHER		2
15	203027	CRO PUMP PLATE GASKET LH		1
16	203028	CRO PUMP PLATE GASKET RH		1
17	208471	CONSTANT TENSION CLIP		1
18	291004	M5 X 10MM LONG STAINLESS STEEL BUTTON HEAD SCREW		2
19	291158	M6 X 40MM LONG GRUB SCREW STAINLESS STEEL C/W THREADLOCK		4
20	304439	PROCESSED HOSE CLOSURE		1
21	392464	RHS SCUFF MOULDING SPACER		1
22	392465	LHS SCUFF MOULDING SPACER		1

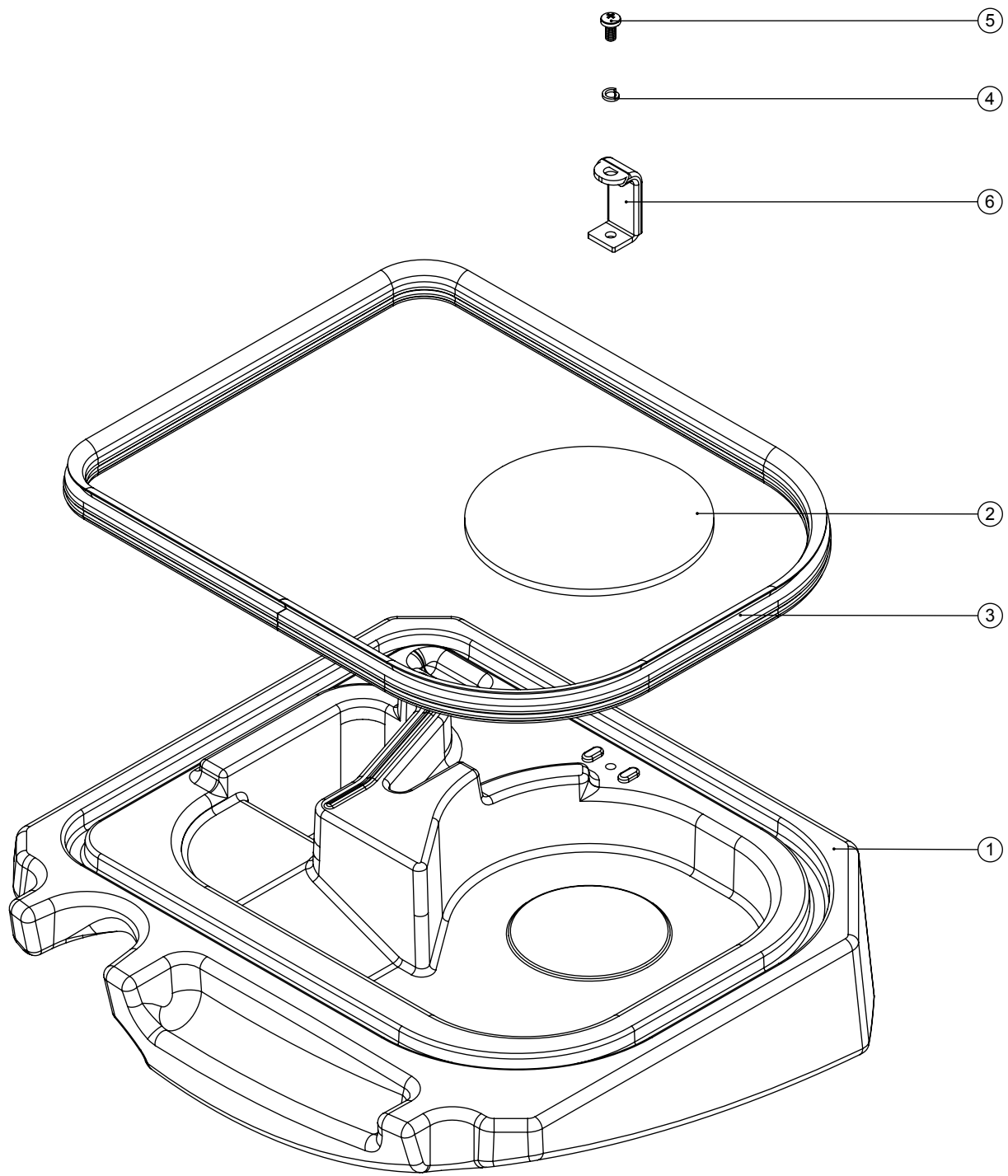


**Numatic International Spare Parts**

**Model No:** CRO SEPARATOR ASSY

Internal Code: N/A  
 PRO DRAWING: DRW-17590 ISS:A03  
 15/05/2015

NB: FOR WIRING SEE DRAWING: N/A



**Numatic International Spare Parts**

**Model No:** CRO SEPARATOR ASSY

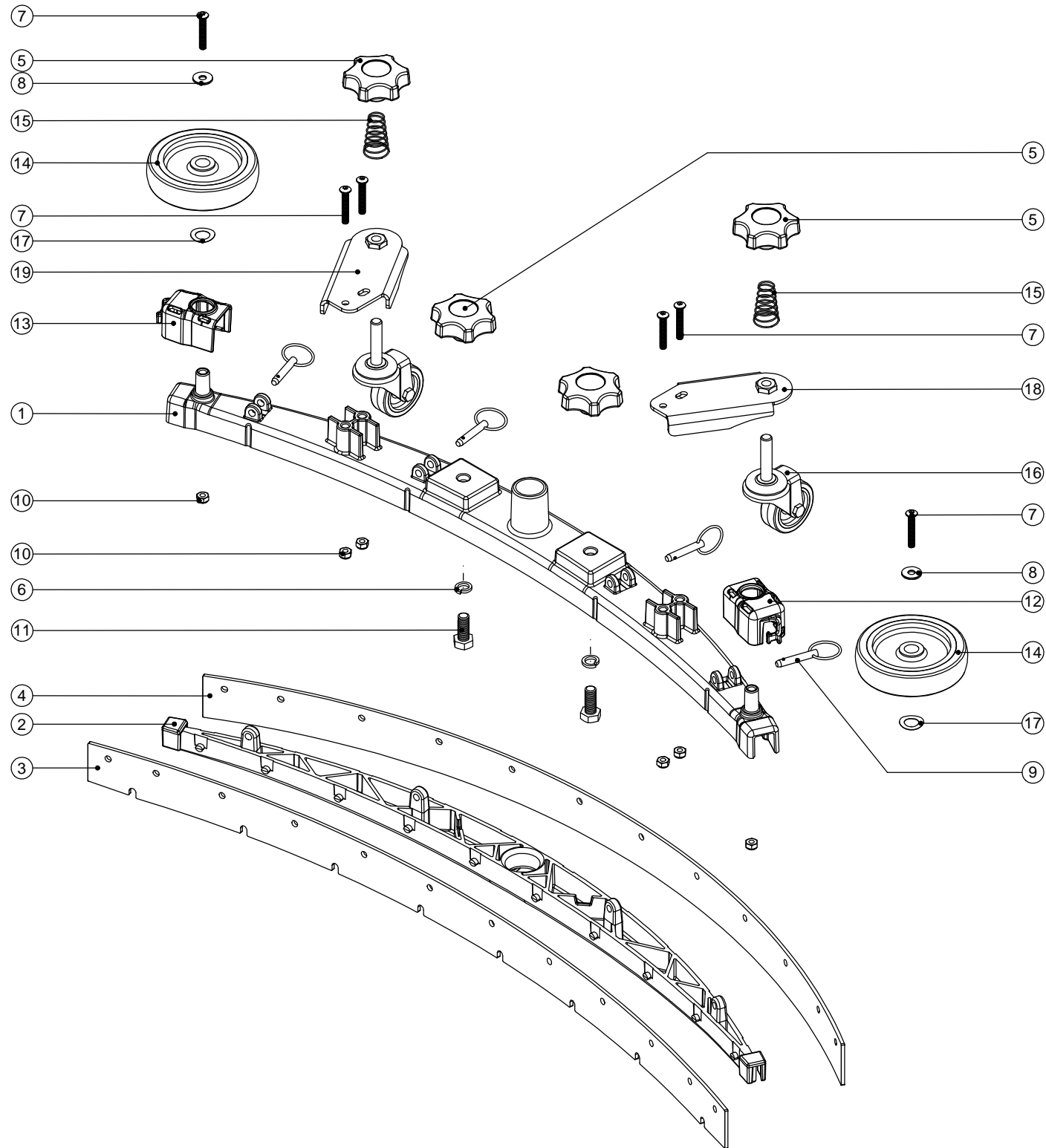
ITEM:	PART No:	DESCRIPTION	COMMENTS:	QTY.
1	237614	MINI RIDE ON SEPARATOR		1
2	208899	UPPER SEALING DISC		1
3	304503	1045mm LONG SEALING STRIP		1
4	219861	M5 SINGLE COIL STAINLESS STEEL WASHER		1
5	219668	M5 X 10MM LONG POZI PAN STAINLESS STEEL SCREW		1
6	330200	CRO SEPARATOR BRACKET ASSY		1

# Numatic International Spare Parts

**Model No:** 650 TWINTEC ALUMINIUM FLOOR TOOL (38MM HOSE)

599439 599440 599469  
DRAWING: DRW-17997 ISS:A01  
07/10/2014

**NB: FOR WIRING SEE DRAWING: N/A**



# Numatic International Spare Parts

**Model No:** 650 TWINTEC ALUMINIUM FLOOR TOOL (38MM HOSE)

ITEM:	PART No:	DESCRIPTION	QTY.
1	208198	(650MM SCRUB WIDTH) ALUMINIUM SQUEEGEE CASTING (38MM HOSE FITTING)	1
2	229987	(650MM SCRUB WIDTH) BLADE HOLDER MOULDING (SLOPING PROFILE) (32MM & 38MM HOSE FITTING)	1
3	SEE TABLE	(650MM SCRUB WIDTH) REPLACEMENT (3.2MM / 40 SHORE A) FRONT MONOLAYER SERILOR POLY/BLADE (819MM LONG)	1
4	SEE TABLE	650MM SCRUB WIDTH REPLACEMENT REAR BLADE (847MM LONG)	1
5	208354	M10 LOBE KNOB	4
6	219899	M10 SINGLE COIL STAINLESS STEEL WASHER	2
7	219933	M6 X 35MM SOCKET BUTTON HEAD BOLT STAINLESS STEEL	6
8	219647	M6 FORM G STAINLESS STEEL WASHER	2
9	206953	DETENT PINS	4
10	219642	M6 STAINLESS STEEL NYLON INSERT NUT	6
11	219909	M10 X 25MM LONG HEXAGONAL STAINLESS STEEL SCREW	2
12	237322	RIGHT HAND FLOOR TOOL CLIP MOULDING	1
13	237323	LEFT HAND FLOOR TOOL CLIP MOULDING	1
14	208796	4 INCH WHEEL	2
15	229175	CONICAL SPRING	2
16	208497	50MM C50MM DIAMETER GREY TPR TYRED SWIVEL CASTORS C/W M10 X 45 SWAGED STEMASTOR/GREY RUBBER TYRE	2
17	219891	13MM WAVEY WASHER	2
18	304523	ADJUSTABLE FLOOR TOOL CASTOR PLATE RHS WELD ASSY	1
19	304522	ADJUSTABLE FLOOR TOOL CASTOR PLATE LHS WELD ASSY	1

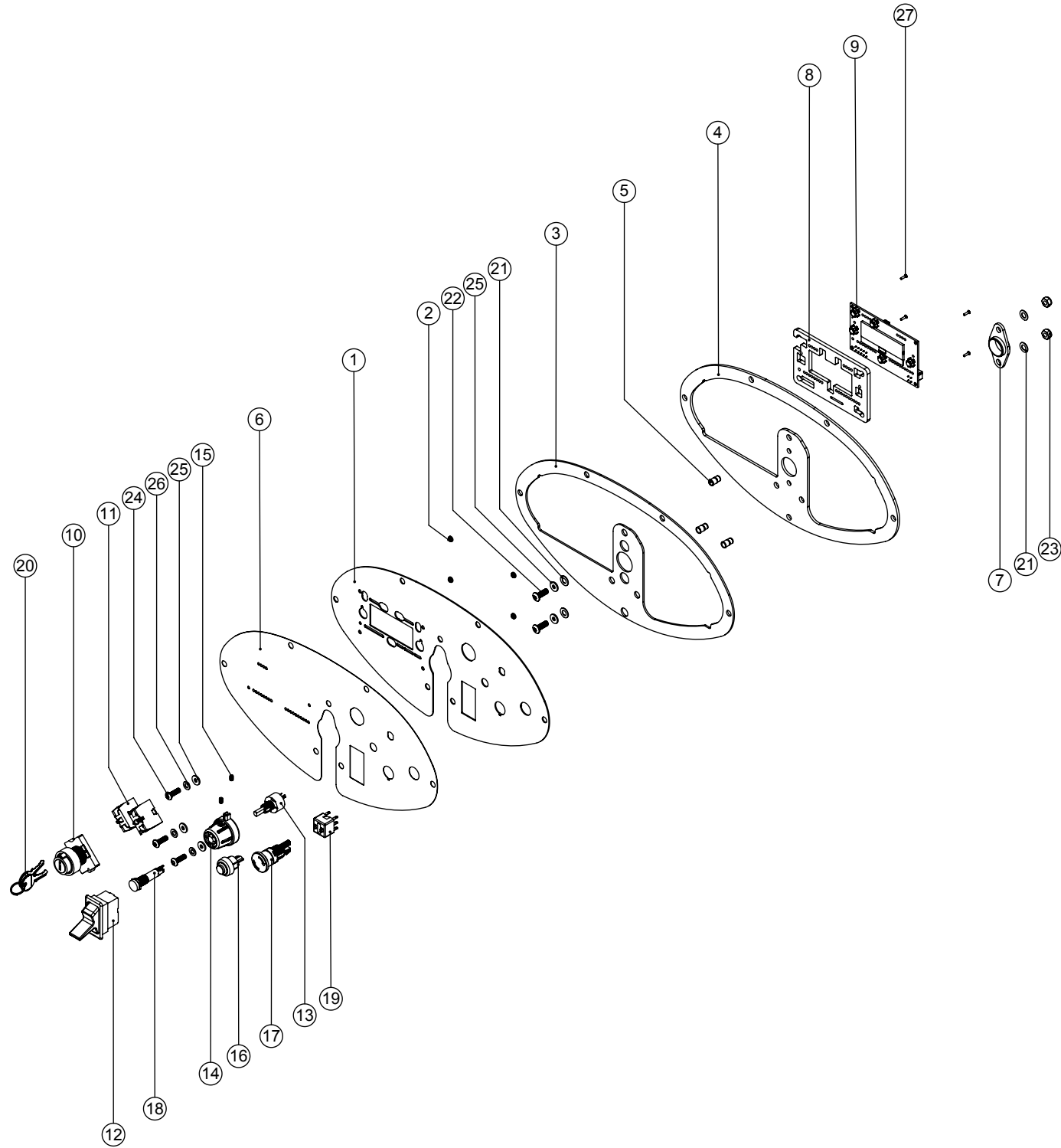
BLADE	FRONT	REAR
POLYURETHANE 43 SHORE A	206977	206978
POLYURETHANE 50 SHORE A	208199	208202
LINATEX NATURAL RUBBER 40 SHORE A	208201	208203
SERILOR®CLEAN POLYURETHANE FRONT: 40 SHORE A / REAR: 35-45-35 SHORE A	208967	208970

# Numatic International Spare Parts

**Model No:** CRO DASH ASSY

Internal Code: N/A  
 DRAWING: DRW-17585 ISS:A03  
 PRO 15/05/2015

NB: FOR WIRING SEE DRAWING: N/A



# Numatic International Spare Parts

**Model No:** CRO DASH ASSY

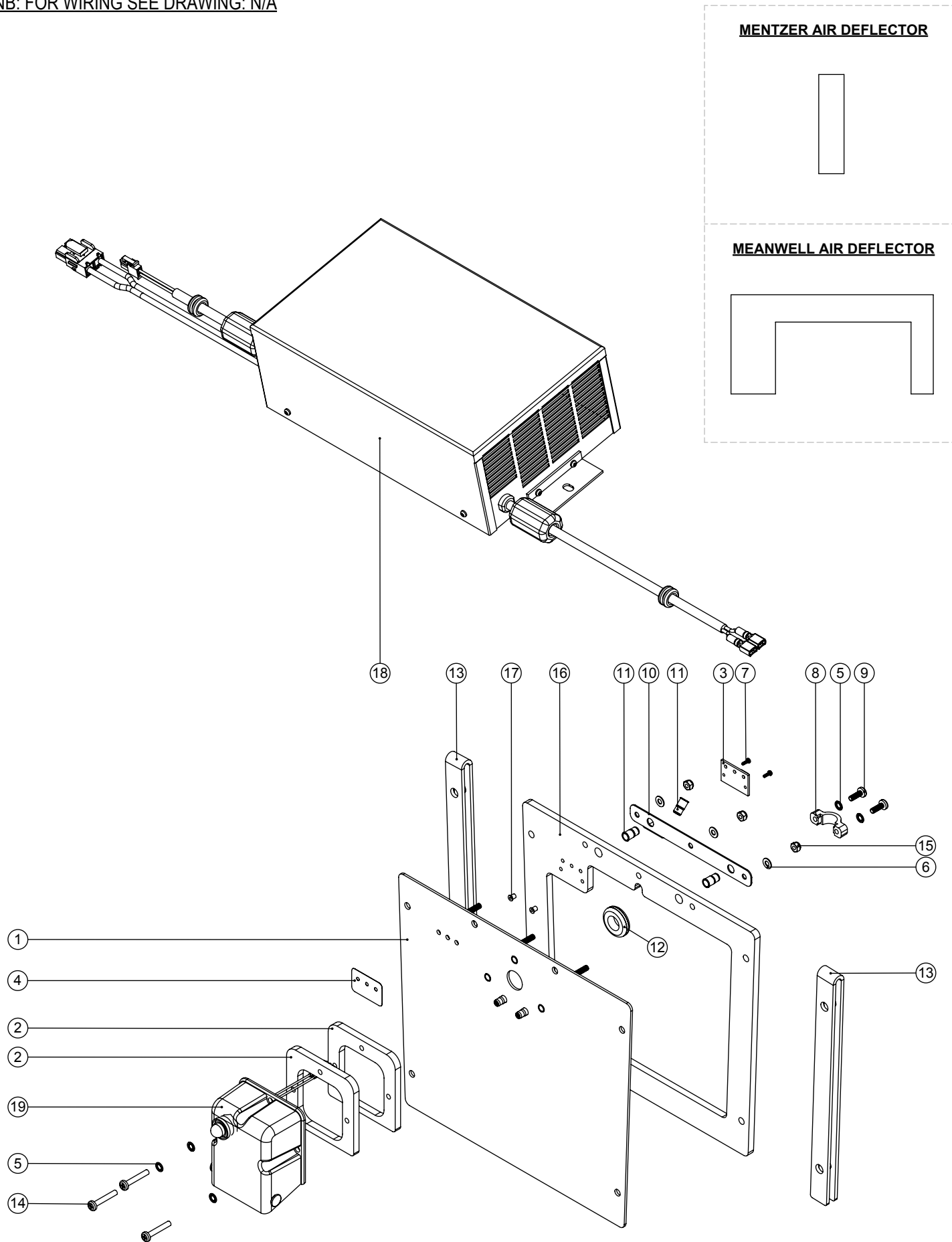
ITEM:	PART No:	DESCRIPTION	COMMENTS:	QTY.
1	392429	TOP PANEL PLATE PAINTED SILVER		1
2	291011	M2 STEEL SELF CLINCH NUT		4
3	203039	CRO CONTROL PANEL GASKET (UPPER)		1
4	392426	CONTROL PANEL PLATE PAINTED SILVER		1
5	219558	M5 STAINLESS STEEL NUTSERT		3
6	208979	CRO CONTROL PANEL OVERLAY		1
7	208110	IGUS (R) 2 BOLT PLAIN BEARING 20MM I/D		1
8	392424	DISPLAY PCB PLASTIC SPACER PLATE		1
9	230275	LCD DISPLAY / INTERFACE	CRO8055/120T (Menzter, Meanwell chargers)	1
	280020	LCD DISPLAY. INTERFACE	CRO8055/100T (Nord charger)	1
10	208138	KEY SWITCH (2 POSITION)		1
11	208137	KEY SWITCH ACTUATOR BLOCK		2
12	206933	PADDLE SWITCH		1
13	270316	POTENTIOMETER TYPE Pe30 22k OHMS 20% 3W (WITH PANEL SEAL) (ROUND SHAFT WITH FLAT / NO SLOT IN SHAFT END)		1
14	329363	SPEED ADJUSTMENT KNOB C/W INSERT		1
15	219744	M4 X 6MM LONG BLACKODISED GRUB SCREW		2
16	229454	HANDLE SWITCH		1
17	206901	EMERGENCY STOP (A01ES) 24MM DIAMETER BUTTON		1
18	270291	GREEN LED INDICATOR 2V C/W 2.2K RESISTOR		1
19	208458	SWITCH BLOCK (DOUBLE POLE / 2 POSITION) (A0152B)		1
20	208167	SPARE SET OF KEYS (2 KEYS)		1
21	219560	M6 FORM B STAINLESS STEEL WASHER		4
22	291113	M6 X 16 SOCKET BUTTON HEAD BOLT STAINLESS STEEL		2
23	219642	M6 STAINLESS STEEL NYLON INSERT NUT		2
24	219785	M5 X 16MM LONG BUTTON HEAD STAINLESS STEEL SCREW		3
25	219462	RUBBER WASHER		5
26	219355	M5 FORM A STAINLESS STEEL WASHER		3
27	291172	M2 X 8MM COUNTERSUNK POZI SCREW STAINLESS STEEL		4

# Numatic International Spare Parts

**Model No:** CRO AC SUPPLY PLATE AND CHARGER ASSY

Internal Code: N/A  
 DRAWING: DRW-17570 ISS:A11  
 PRO 15/05/2015

NB: FOR WIRING SEE DRAWING: N/A



# Numatic International Spare Parts

**Model No:** CRO AC SUPPLY PLATE AND CHARGER ASSY

ITEM:	PART No:	DESCRIPTION	COMMENTS	QTY.
1	SEE TABLE BELOW	ELECTRONICS FRONT COVER PLATE SUB ASSY		1
2	329595	TOP SOCKET PLATE		2
3	SEE TABLE BELOW	LED CHARGER DISPLAY PCB	MENTZER & MEANWELL ONLY	1
4	208978	CHARGER LIGHTS OVERLAY	MENTZER & MEANWELL ONLY	1
5	291145	M4 SHAKEPROOF WASHER STAINLESS STEEL		5
6	219688	M4 FORM A STAINLESS STEEL WASHER		3
7	219978	M2 X 6MM LONG POZI PAN SCREW	MENTZER & MEANWELL ONLY	2
8	227564	PLUG LOCATION CLAMP		1
9	219890	M4 X 12MM LONG POZI PAN STAINLESS STEEL SCREW		2
10	392502	CRO EARTH PLATE		1
11	219558	M5 STAINLESS STEEL NUTSERT		3
12	219735	GROMMET		1
13	280008	FRONT COVER PLATE GASKET		2
14	291165	M4 X 25MM LONG POZI SCREW STAINLESS STEEL		3
15	219687	M4 STAINLESS STEEL NYLON INSERT NUT		3
16	392456	ELECTRONICS FRONT COVER SPACER PLATE		1
17	291115	M2 X 4.2MM LONG TAPPEX (071M2)	MENTZER & MEANWELL ONLY	2
18	SEE TABLE BELOW	CHARGER ASSY		1
19	SEE TABLE BELOW	SOCKET COVER ASSEMBLY		1

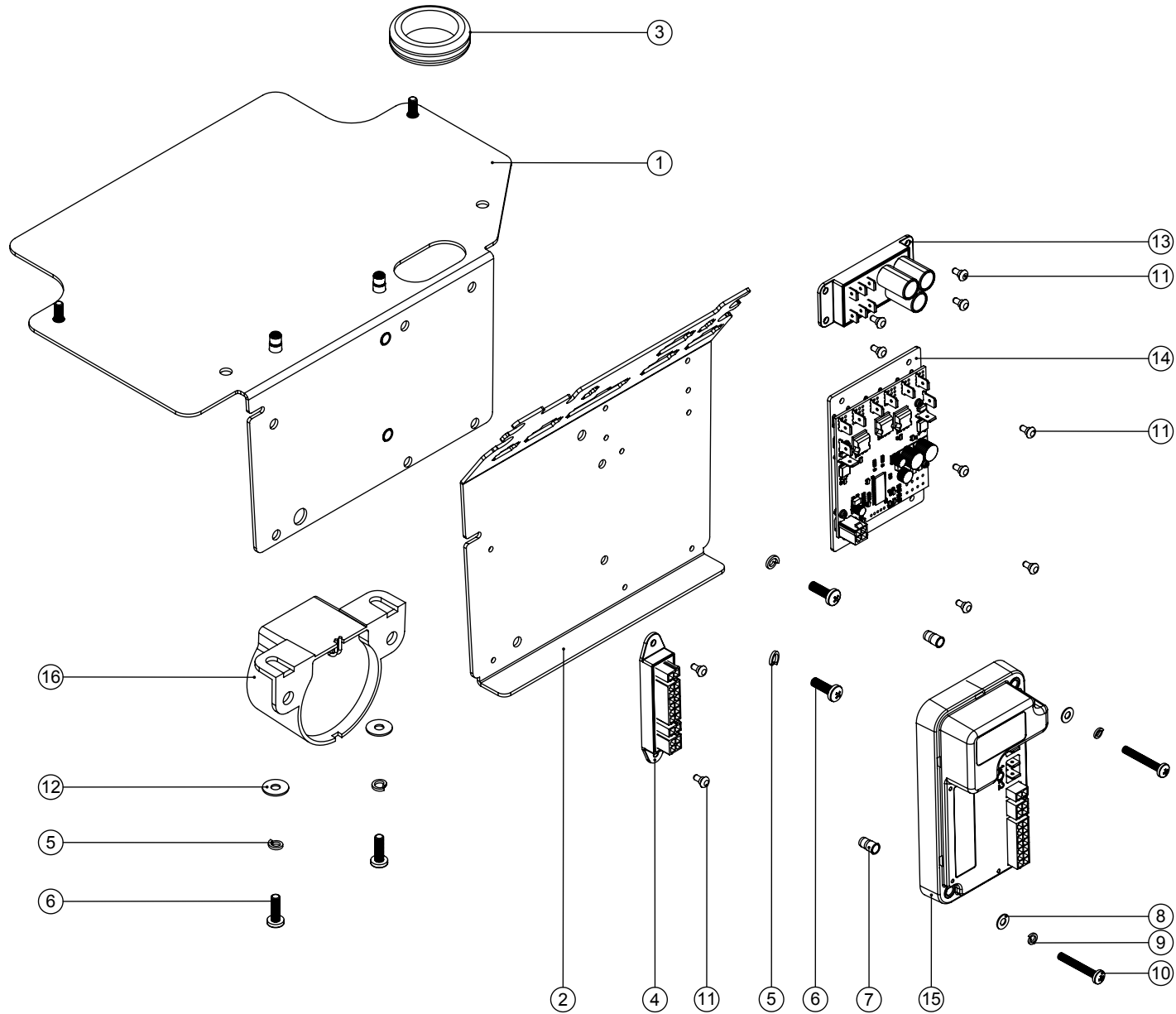
CHARGER VARIATIONS	FRONT COVER PLATE ASSY	CHARGER	CHARGER POWER LEAD	AIR DEFLECTOR	LED CHARGER DISPLAY PCB	SOCKET COVER ASSEMBLY
<b>MENTZER (35A)</b>	330202	230282 (230V)	INC WITH CHARGER	280005	208805	329414 (230V)
<b>MEANWELL (20A)</b>	330202	230261 (100-240V)	901149	280006	280002	329414 (230V) 329441 (120V)
<b>NORD (10A)</b>	392459	323332 (230V) 323333 (115V)	INC WITH CHARGER	NOT REQUIRED	NOT REQUIRED	329414 (230V) 329441 (120V)

# Numatic International Spare Parts

**Model No:** CRO CHARGER PLATE AND PCB ASSEMBLY

Internal Code: N/A  
 PRO DRAWING: DRW-17539 ISS:A05  
 15/05/2015

NB: FOR WIRING SEE DRAWING: N/A



# Numatic International Spare Parts

**Model No:** CRO CHARGER PLATE AND PCB ASSEMBLY

ITEM:	PART No:	DESCRIPTION	COMMENTS:	QTY.
1	SEE TABLE BELOW	CRO CHARGER SUPPORT PLATE ASSY		1
2	392420	PCB & IDRIVE SUPPORT PLATE		1
3	208029	GROMMET (32MM I/D)		1
4	208909	POTTED TERMINAL BLOCK ASSEMBLY		1
5	219861	M5 SINGLE COIL STAINLESS STEEL WASHER		4
6	219547	M5 X 16MM LONG POZI PAN STAINLESS STEEL SCREW		4
7	291148	M4 NUTSERT STAINLESS STEEL		2
8	219688	M4 FORM A STAINLESS STEEL WASHER		2
9	291146	M4 SINGLE COIL SPRING WASHER STAINLESS STEEL		2
10	219913	M4 X 30MM LONG POZI PAN STAINLESS STEEL SCREW		2
11	208963	SNAP BLACK RIVET (REF SR-3055B)		10
12	219644	M5 FORM G STAINLESS STEEL WASHER		2
13	208988	HF RESERVOIR CAPACITOR PCB		1
14	280004	DC DRIVE PCB		1
15	330196	PROGRAMMED MOTOR CONTROLLER (CRO 8055)		1
16	323263	HORN		1

PART No.	DESCRIPTION
392423	CRO MENTZER CHARGER SUPPORT PLATE ASSY*
392457	CRO MEANWELL CHARGER SUPPORT PLATE ASSY
392458	CRO NORD 15A CHARGER SUPPORT PLATE ASSY

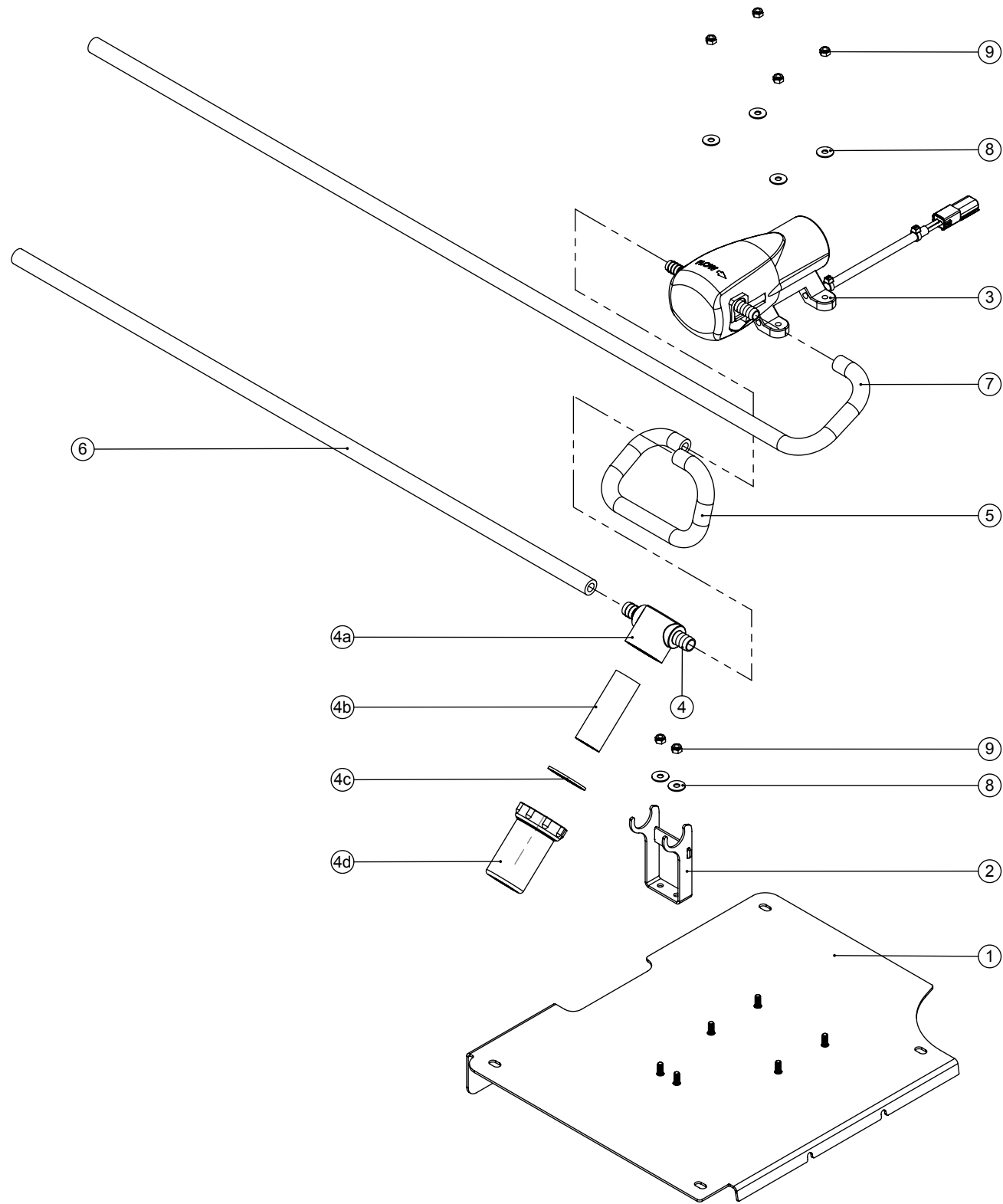
\*SHOWN IN EXPLODED VIEW

# Numatic International Spare Parts

**Model No:** CRO PUMP AND FILTER SUB ASSY

Internal Code: N/A  
 DRAWING: DRW-17506 ISS:A04  
 PRO 15/05/2015

NB: FOR WIRING SEE DRAWING: N/A



# Numatic International Spare Parts

**Model No:** CRO PUMP AND FILTER SUB ASSY

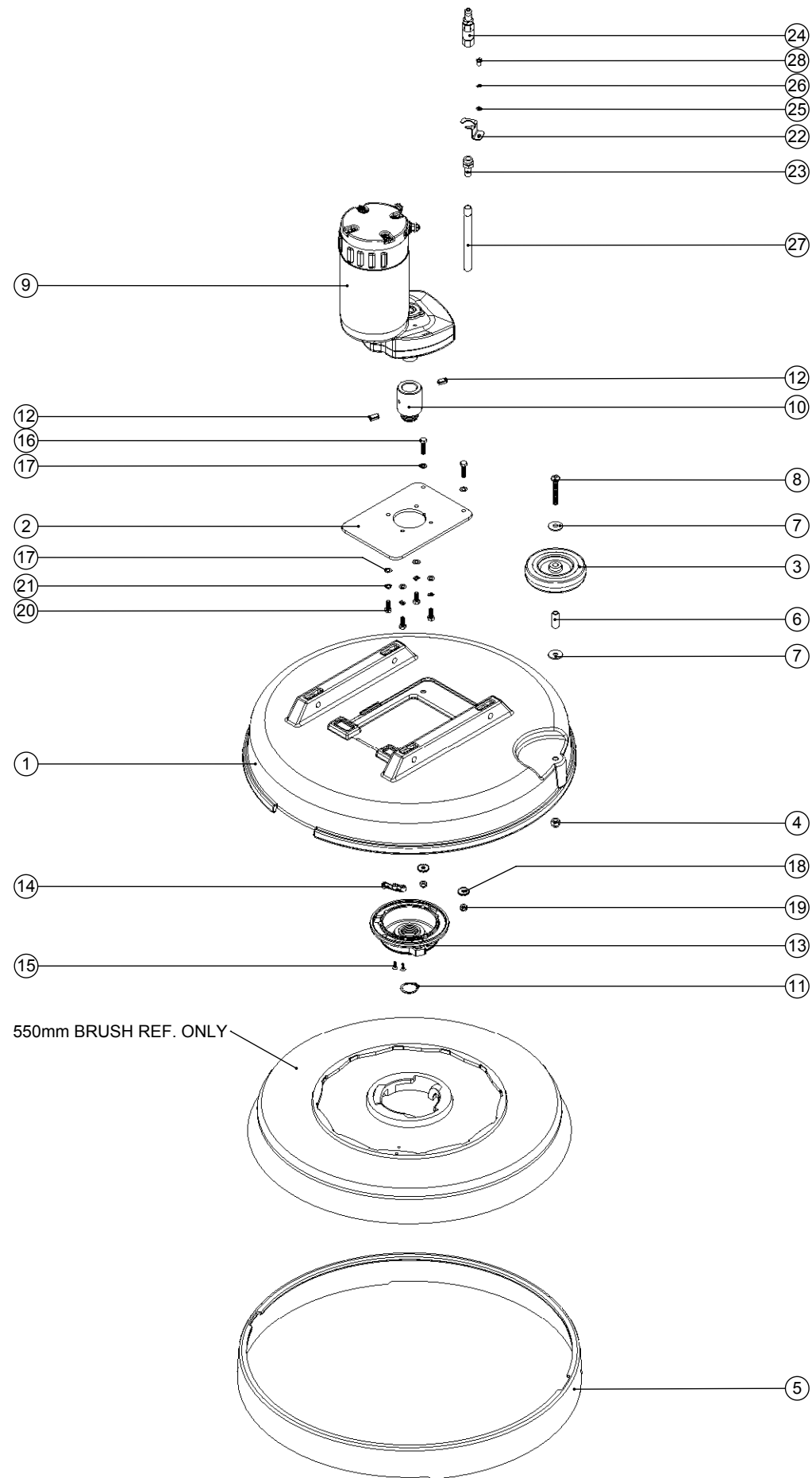
ITEM:	PART No:	DESCRIPTION	COMMENTS:	QTY.
1	392419	CRO PUMP AND FILTER PLATE WELD STUD ASSY		1
2	304521	FILTER PLATE ASSEMBLY		1
3	230278	WATER PUMP ASSEMBLY		1
4	208888	EXTENDED STRAINER	INCLUDE 4a,4b,4c,4d	1
4a	208827	STRAINER BLACK TOP	SPARE ITEM	1
4b	208889	EXTENDED STRAINER 50 MESH SCREEN	SPARE ITEM	1
4c	208830	STRAINER GASKET	SPARE ITEM	1
4d	208890	EXTENDED STRAINER CLEAR BOWL	SPARE ITEM	1
5	391525	CRO FILTER TO PUMP TUBE 300MM LG		1
6	391526	CRO TANK TO FILTER TUBE 700MM LG		1
7	391527	CRO PUMP TO BRUSH DECK TUBE 980MM LG		1
8	219644	M5 FORM G STAINLESS STEEL WASHER		6
9	219633	M5 STAINLESS STEEL NYLON INSERT NUT		6

# Numatic International Spare Parts

**Model No:** MINI RIDE ON DECK ASSEMBLY EXP

Internal Code: 599468  
 DRAWING: DRW-15530 ISS:A03  
 PRO 15/05/2015

NB: FOR WIRING SEE DRAWING: N/A



# Numatic International Spare Parts

**Model No:** MINI RIDE ON DECK ASSEMBLY EXP

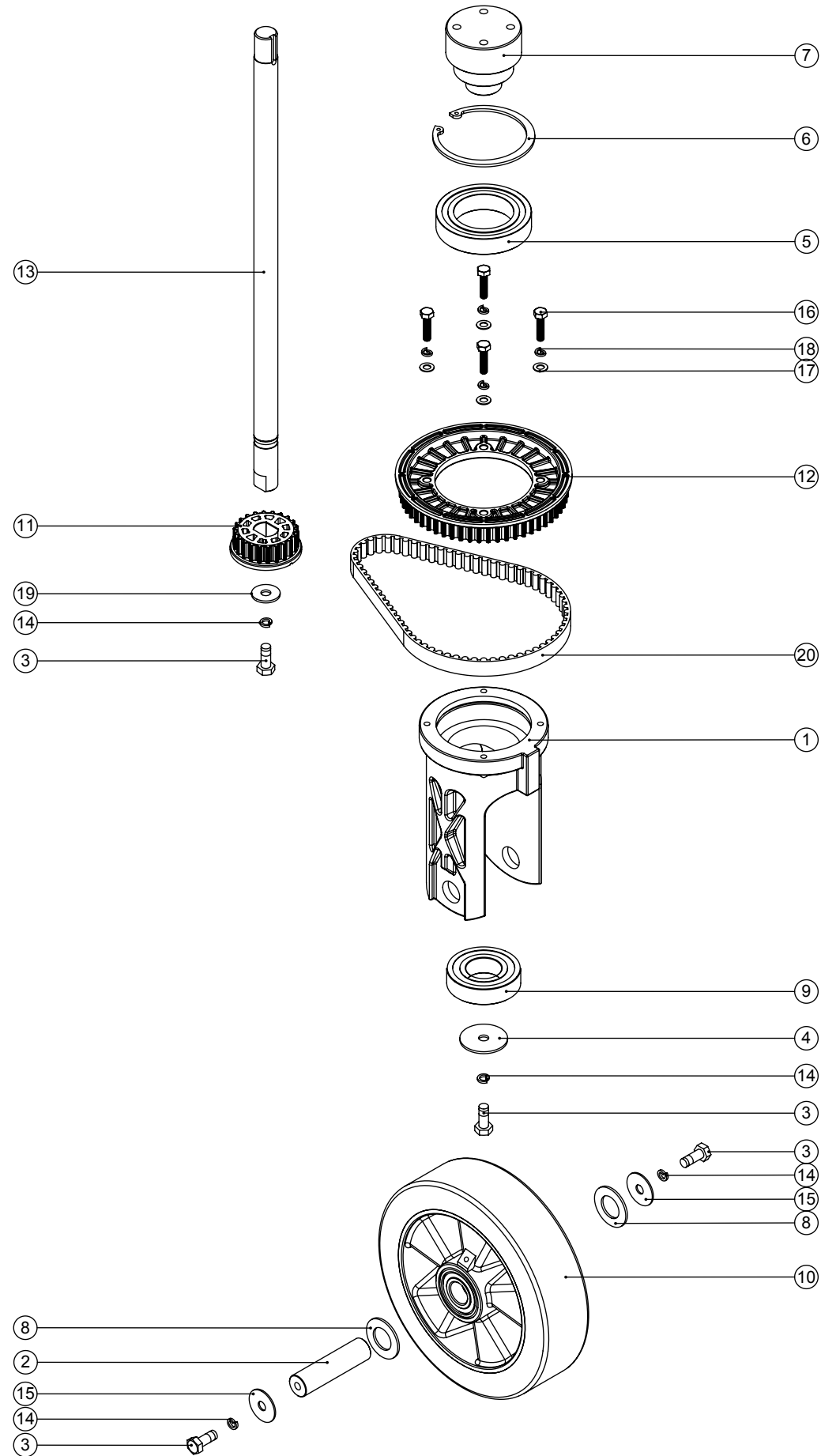
ITEM:	PART No:	Description	QTY.
1	237608	DECK MOULDING	1
2	392404	MOTOR PLATE	1
3	303942	100MM DIA WHEEL MODIFIED BORE (10.1MM DIAMETER)	1
4	219639	M8 STAINLESS STEEL NYLON INSERT NUT	1
5	237609	550MM SPLASH SKIRT	1
6	391523	S/S 10MM O/D 8MM I/D X 28MM LONG	1
7	219716	M8 FORM G STAINLESS STEEL WASHER	2
8	219922	M8 X 50MM LONG SOCKET BUTTON HEAD STAINLESS STEEL BOLT	1
9	205192	MRP6 IP20 AMER MOTOR	1
10	208933	MINI RIDE ON DRIVE SHAFT	1
11	230048	26MM EXTERNAL CIRCLIP	1
12	291139	6MM X 16MM STAINLESS STEEL ROLL PIN	2
13	230285	MODIFIED CHUCK (BASED ON 230207)	1
14	237730	SPRING CLIP	1
15	219683	No6 X 3/8 INCH LONG POZI PAN BLACK COUNTERSUNK PLASTITE SCREW	2
16	219925	M6 x 25MM LONG STAINLESS STEEL HEX SCREW	2
17	219560	M6 FORM B STAINLESS STEEL WASHER	6
18	219647	M6 FORM G STAINLESS STEEL WASHER	2
19	219642	M6 STAINLESS STEEL NYLON INSERT NUT	2
20	219719	M6 X 16MM LONG HEXAGONAL STAINLESS STEEL HEAD BOLT	4
21	219718	M6 STAINLESS STEEL SPRING WASHER	4
22	392405	NRV MOUNTING BRACKET	1
23	208965	8MM X 1/4" BSP MALE STAND PIPE NICKEL PLATED (17MM A/F)	1
24	208966	NON RETURN VALVE C/W 10MM HOSE TAIL NICKEL PLATED	1
25	219688	M4 FORM A STAINLESS STEEL WASHER	1
26	291146	M4 SINGLE COIL SPRING WASHER STAINLESS STEEL	1
27	330206	MOTOR SHAFT INSERT	1
28	291164	M4 X 8MM LONG TORX PAN TAPTITE SCREW S/S	1

# Numatic International Spare Parts

**Model No:** MINI RIDE ON STEERING ASSEMBLY EXP

Internal Code: N/A  
 DRAWING: DRW-15527 ISS:A03  
 PRO 15/05/2015

NB: FOR WIRING SEE DRAWING: N/A



# Numatic International Spare Parts

**Model No:** MINI RIDE ON STEERING ASSEMBLY EXP

ITEM:	PART No:	DESCRIPTION	COMMENTS:	QTY.
1	208869	STEERING YOKE		1
2	291110	AXLE 20MM OD X 77MM LONG		1
3	291140	M8 X 20MM LG HEX HEAD SCREW STAINLESS STEEL C/W THREADLOCK		4
4	392381	STEERING WASHER		1
5	208871	BEARING I/D50MM O/D80MM		1
6	208872	80MM INTERNAL CIRCLIP		1
7	291109	STEERING SPIGOT		1
8	291162	M20 FORM B STAINLESS STEEL WASHER		2
9	208878	BEARING I/D30MM O/D62MM		1
10	204120	WICKE 200 X 50MM ALU WHEEL		1
11	237679	SMALL PULLEY 22TH		1
12	237680	LARGE PULLEY 56TH		1
13	291108	LOWER STEERING SHAFT		1
14	219898	M8 SINGLE COIL STAINLESS STEEL WASHER		4
15	219877	M8 X 30 STAINLESS STEEL WASHER		2
16	219925	M6 x 25MM LONG STAINLESS STEEL HEX SCREW		4
17	219560	M6 FORM B STAINLESS STEEL WASHER		4
18	219718	M6 STAINLESS STEEL SPRING WASHER		4
19	219716	M8 FORM G STAINLESS STEEL WASHER		1
20	208897	BELT (GATES-GT3 560 8MGT 15MM)		1

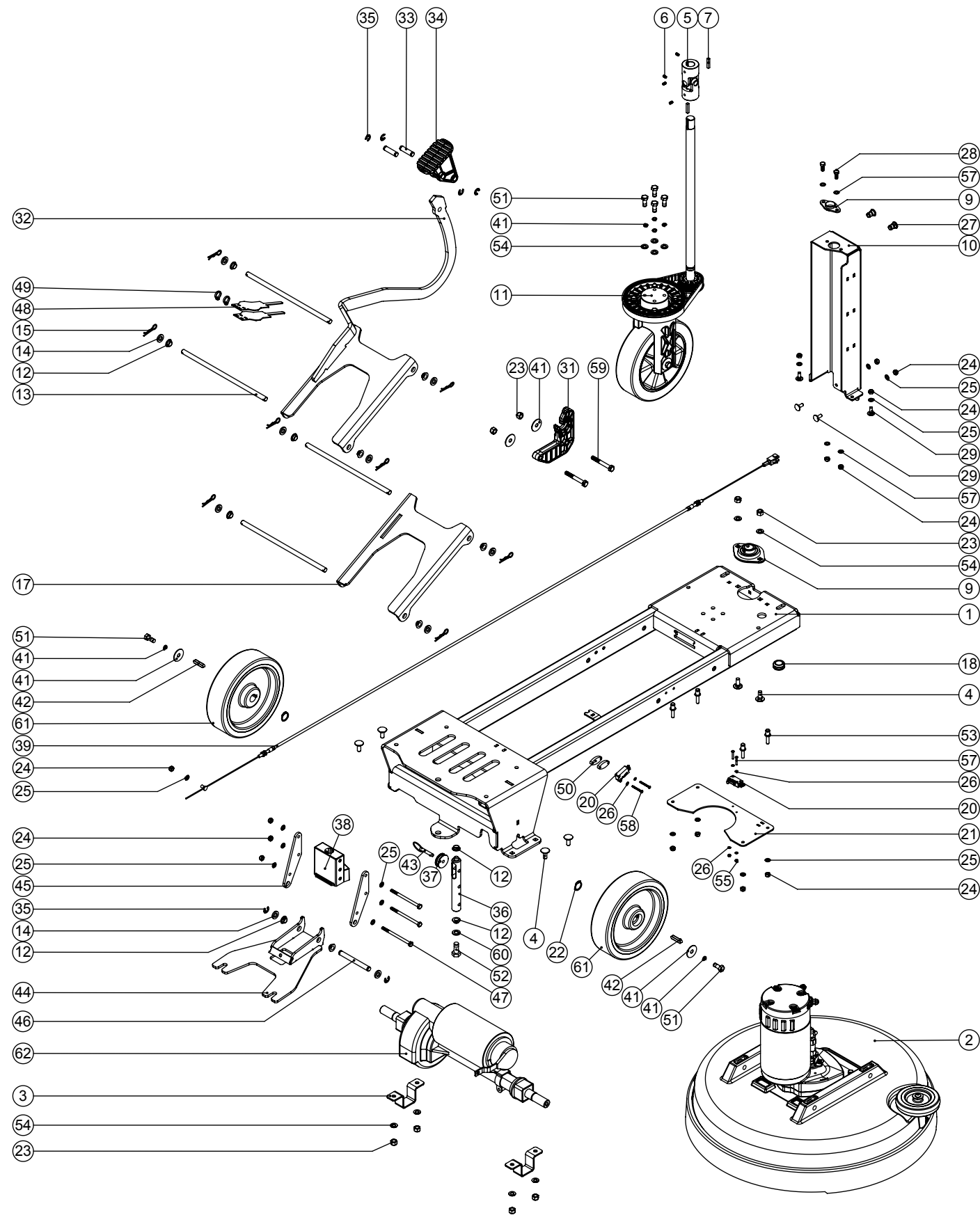


# Numatic International Spare Parts

**Model No:** MINI RIDE ON CHASSIS GENERAL ASSEMBLY EXP

Internal Code: 599530  
 DRAWING: DRW-15518 ISS:A06  
 PRO 15/05/2015

NB: FOR WIRING SEE DRAWING: WD-0???



# Numatic International Spare Parts

**Model No:** MINI RIDE ON CHASSIS GENERAL ASSEMBLY EXP

ITEM:	PART No:	DESCRIPTION	COMMENTS:	QTY.
1	304515	MINI RIDE ON CHASSIS WELD ASSEMBLY		1
2	599468	MINI RIDE ON DECK ASSEMBLY		1
3	329780	TRANSAXLE CLAMP		2
4	291104	M8 X 20 COACH BOLT S/S		6
5	206936	UNIVERSAL JOINT		1
6	219784	M5 X 8MM LONG BLACKODISED GRUB SCREW		4
7		KEY WAY	C/W ITEM 5	2
9	208884	2 PART PRESSED FLANGE BEARING		1
9	208110	IGUS (R) 2 BOLT PLAIN BEARING 20MM I/D		1
10	392418	STEERING COLUMN SUPPORT BRKT		1
11	-	MINI RIDE ON STEERING ASSEMBLY EXP	SEE DRW-15527	1
12	208330	IGUS BEARING (GFM 101206)		12
13	291101	PIVOT ROD		4
14	219964	NYLON WASHER (18MM O/D X 10.4MM I/D X 3MM THICK)		10
15	291102	SMALL R PIN (S MASTERS 89100 SS)		8
17	392393	DECK LINK ARM		1
18	208143	20MM GROMMET X 6MM PANEL THICKNESS		1
20	208986	IP RATED MICROSWITCH WITH ROLLER		2
21	392398	SWITCH PLATE		1
22	219889	19MM HEAVY DUTY CIRCLIP		2
23	219639	M8 STAINLESS STEEL NYLON INSERT NUT		8
24	219642	M6 STAINLESS STEEL NYLON INSERT NUT		14
25	219870	M6 FORM A WASHER STAINLESS STEEL		15
26	219501	M3 FORM A STAINLESS STEEL WASHER		6
27	219750	M8 HEADED NUTSERT		2
28	219719	M6 X 16MM LONG HEXAGONAL STAINLESS STEEL HEAD BOLT		2
29	291103	M6 X 16 COACH BOLT S/S		4
31	237677	LATCH MOULDING		1
32	304513	DECK LINK & PEDAL ARM WELD ASSY		1
33	291097	38 X10MM BAR (E TYPE CLIP)		2
34	237678-	PEDAL MOULDING		1
35	291107	E TYPE CLIP (TO SUIT 10mm BAR)		6
36	291100	SQUEEGEE PIVOT BAR		1
37	208898	NYLON PULLEY 32MM OD		1
38	237676	MULTI BLOCK MOULDING		1
39	291099	CRO 8055 SQ. LIFT CABLE		1
41	219877	M8 X 30 STAINLESS STEEL WASHER		4
41	219898	M8 SINGLE COIL STAINLESS STEEL WASHER		6
42	206744	6MM X 6MM X 32MM FEATHER KEY		2
43	206953	DETENT PINS		1
44	304516	MOOSE PLATE WELD ASSEMBLY		1
45	392436	PIVOT SIDE PLATE		2
46	291098	94 X10MM BAR (E TYPE CLIP)		1
47	291021	M6 X 90MM LONG STAINLESS STEEL HEXAGONAL HEAD BOLT		3
48	392497	SWITCH SPRING PLATE		2
49	220007	BLACK CABLE TIE		2
50	392498	6MM SWITCH SPACER		2
51	291140	M8 X 20MM LG HEX HEAD SCREW STAINLESS STEEL C/W THREADLOCK		6
52	291141	M10 X 25MM LG HEX HEAD SCREW STAINLESS STEEL C/W THREADLOCK		1
53	291116	M6 X 25 RIVET STUD		4
54	219578	M8 FORM A STAINLESS STEEL WASHER		10
55	291154	M3 NYLON INSERT NUT STAINLESS STEEL		2
57	291155	M3 X 20MM LONG POZI PAN SCREW STAINLESS STEEL		2
57	219560	M6 FORM B STAINLESS STEEL WASHER		4
58	291156	M3 X 30MM LONG POZI PAN SCREW STAINLESS STEEL		2
59	291157	M8 X 60MM LONG HEX BOLT STAINLESS STEEL		2
60	291163	NYLON WASHER 18MM O/D X 10.5MM I/D X 2MM		1
61	901209	200 X 50 TRACTION WHEEL (PLASTIC)		2
62	323254	530MM ASI TRANSAXLE 21:1 HIGH SPEED (MK400)	310070 CHAIN TAIL BRAKE KIT	1