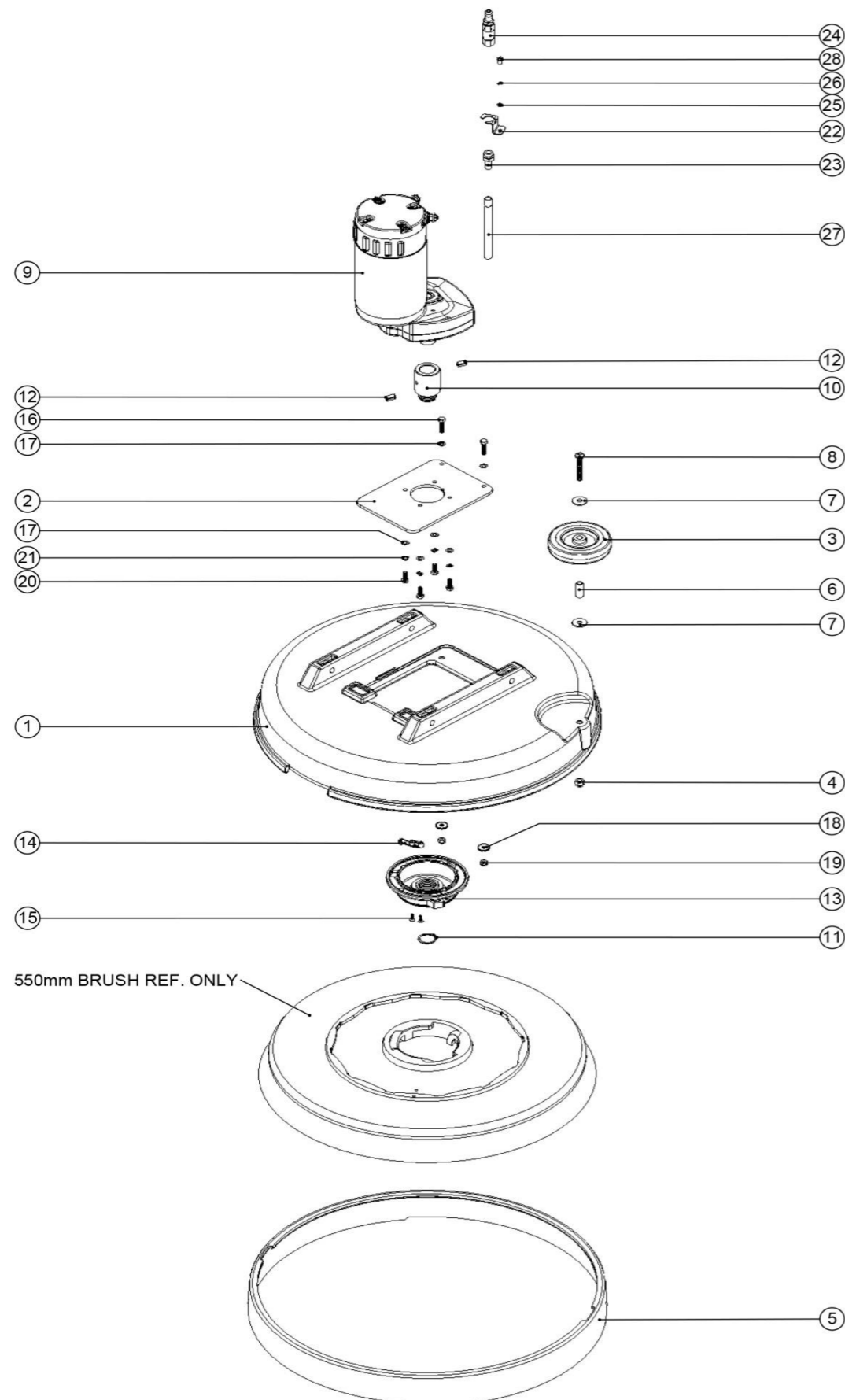


Baugruppe Bürstendeck

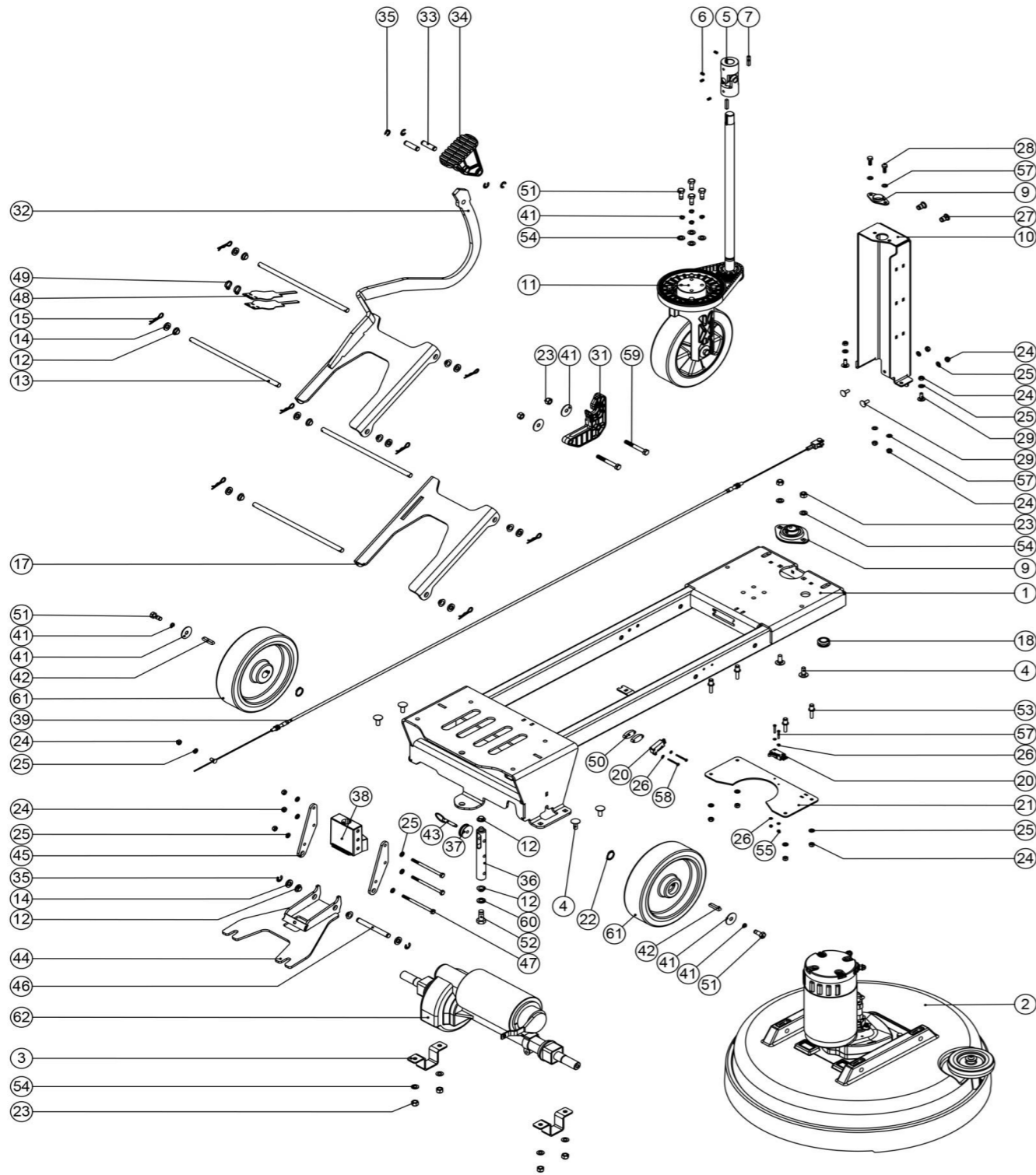
Zeichnungsnummer DRW-15530-A03 vom 15.05.2015



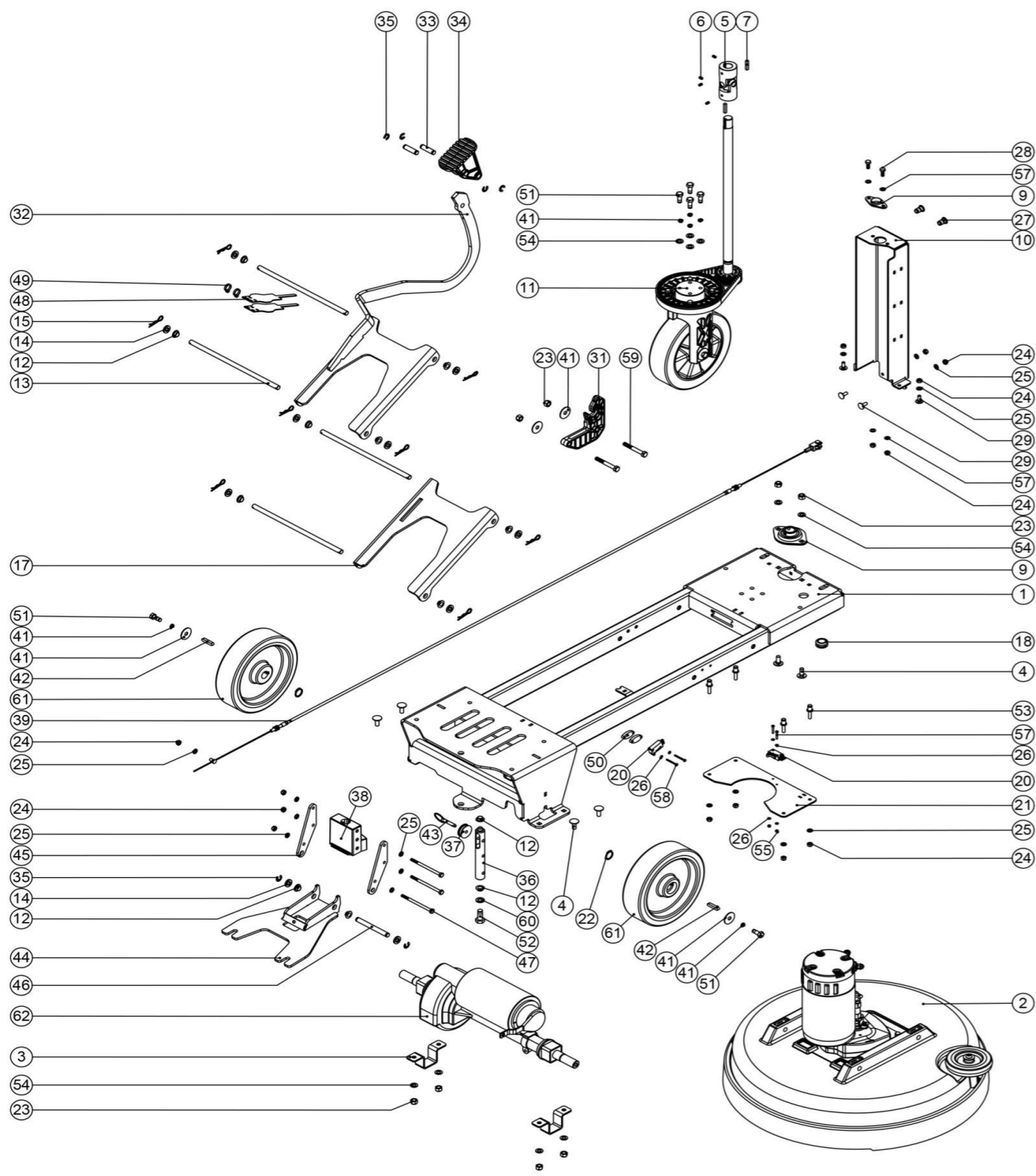
Pos.	Artikel - Nr.	Bezeichnung
1	237608	Bürstendeck CRO
2	392404	Motorplatte CRO
3	303942	Rad 100mmØ, Bohrung 10,1mm TTV-5565
4	219639	VA - Sicherungsmutter M 8
5	237609	Spritzschutzring CRO
6	391523	VA - Buchse 10 mm x 8 mm x 28 mm
7	219716	VA - Unterlegscheibe M 8 Form G
8	219922	M8 x 50mm Edelstahlschraube
9	205192	24V Bürstmotor kompl.CRO (Amer Motor)
10	208933	Antriebsschaft CRO
11	230048	Sicherungsring 26 mm
12	291139	6 mm x 16 mm STAINLESS STEEL ROLL PIN
13	230285	Mitnehmer für Bürste CRO (modifizierte 230207)
14	237730	Federclip
15	219683	Senkkopfschraube für Kunststoffe 6 x 3/8", schwarz
16	219925	VA - Schraube M6 x 25 mm
17	219560	VA - U-Scheibe M 6 Form B
18	219647	VA - U-Scheibe, groß M 6 Form G (6,4 x 25 mm)
19	219642	VA - Sicherungsmutter M 6
20	219719	VA - Sechskantschraube M 6 x 16
21	219718	VA - Federring M 6
22	392405	Halterung Rückschlagventil CRO
23	208965	Schlauchanschluß 8mm X 1/4"
24	208966	Rückschlagventil 10mm CRO
25	219688	VA - Unterlegscheibe M 4 Form A
26	291146	VA - Federring M4
27	330206	Wasserdurchführung CRO
28	291164	VA - Schraube M4 x 8 mm TORX

Baugruppe Chassis

Zeichnungsnummer DRW-15518-A06 vom 15.05.2015



Pos.	Artikel - Nr.	Bezeichnung
1	304515	Chassis CRO
2	599468	Bürstendeck CRO komplett
3	329780	Haltebügel für Antriebseinheit
4	291104	VA - M8 x 20 Schlossschraube
5	206936	Kardangelenk zur Lenksäule für TTV
6	219784	Madenschraube M 5 x 8
7		entfällt
9	208884	2 PART PRESSED FLANGE BEARING
9	208110	Lager für Lenkung TTV678/TRO650
10	392418	Lenksäulen Verkleidung CRO
11	-	Lenkrad (siehe DRW 15527)
12	208330	Lager (GFM 101206)
13	291101	Achse für Bürstendeck CRO
14	219964	Nylonscheibe 18mm Außenø 10,4mm Innenø 3mm dick
15	291102	VA - Sicherungsstift
17	392393	Halterahmen für Bürstendeck CRO
18	208143	20 mm GRO mmET x 6 mm
20	208986	Mikroschalter mit Rolle CRO
21	392398	Schalterplatte CRO
22	219889	Hochleistungsseegerring 19 mm
23	219639	VA - Sicherungsmutter M 8
24	219642	VA - Sicherungsmutter M 6
25	219870	VA - Unterlegscheibe M 6, Form A
26	219501	VA - U-Scheibe M 3 Form A
27	219750	Mutter M8
28	219719	VA - Sechskantschraube M 6 x 16
29	291103	VA-M6 x 16mm Schlossschraube
31	237677	Hebelarm CRO
32	304513	Pedalarm Bürstendeck CRO
33	291097	VA - Hülse 38 x10 mm
34	237678	Pedal Bürstendeck CRO
35	291107	E TYPE CLIP (TO SUIT 10 mm BAR)
36	291100	Führungsrohr Absaugung CRO
37	208898	Rahmen
38	237676	Halteblock Weiß CRO
39	291099	Seilzug für Saugbalken CRO
41	219877	VA - Scheibe M 8 x 30 Ø
41	219898	VA - Federring M 8
42	206744	Nutfeder 6 x 6 x 32 mm
43	206953	Splint für Aluminiumabstreifer
44	304516	Aufnahme Saugbalken CRO
45	392436	Trapezblech Saugfusshalterung CRO
46	291098	94 x10 mm BAR (E TYPE CLIP)
47	291021	VA-Schraube M6 X 90mm
48	392497	Aufnahme Saugbalken CRO
49	220007	Kabelbinder kurz
50	392498	Halterung Mikroschalter CRO
51	291140	VA - Schraube M8 x 20 mm
52	291141	VA - Schraube M10 x 25 mm
53	291116	M6 x 25 Bolzen
54	219578	VA - U-Scheibe M 8 Form A
55	291154	VA - Sicherheitsmutter M3
57	291155	VA - M3 x 20 mm POZI



57	219560	VA - U-Scheibe M 6 Form B
58	291156	VA - M3 x 30 mm POZI
59	291157	VA - Schraube M8 x 60 mm
60	291163	Kunststoffscheibe 18 x 10,5 x 2 mm
61	901209	Kunststoffrad 200 x 50 mm (Antriebsrad Fahrtrieb) CRO
62	323254	Antriebseinheit CRO (21:1)



Owner Instructions
Bedienungsanleitung
Mode d'emploi utilisateur
Instructies voor de eigenaar



CRO 8055/100T

CRO 8055/120T

Ride - On Scrubber Dryer



**Ride - On Scrubber Dryer / Aufsitz-Scheuersaugmaschine
/ Autolaveuse à siège / Zitschrobmachine**

Original Instructions

Warning! Read instructions before using the machine

Originalanleitung

Achtung! Vor Verwendung der Maschine bitte die Anleitung lesen

Notice originale

Attention ! Lisez la notice avant d'utiliser la machine

Originele instructies

Waarschuwing! Lees deze instructies voor u de machine gebruikt



www.numatic.com

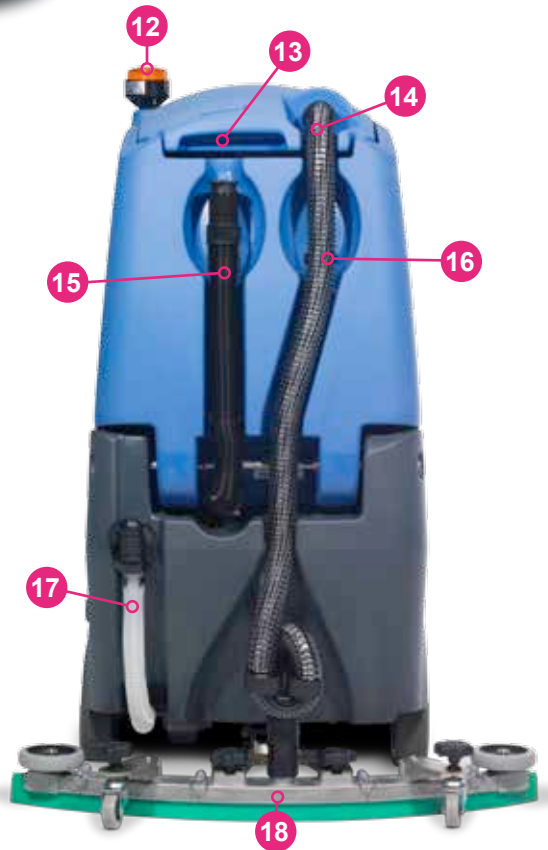


Index	Page 2	Index	Page 2
Machine Overview	Page 4	Überblick über die Maschine	Page 5
Control Panel Overview	Page 6	Überblick über das Bedienfeld	Page 7
Rating label / Personal Protective Equipment / Recycling	Page 8	Typenschild / Persönliche Schutzausrüstung / Recycling	Page 10
Safety Precautions	Page 9	Sicherheitsvorkehrungen	Page 11
Quick set-up guide	Page 16	Schnellanleitung	Page 17
Machine Set-up		Einrichtung der Maschine	
Raise / Lower the Floor-tool	Page 18	Anheben / Senken des Abstreifers	Page 19
Fitting the Floor-tool	Page 18	Befestigung des Abstreifers	Page 19
Breakaway Floor-tool feature	Page 18	Lösungsvorrichtung des Abstreifers	Page 19
Raise / Lower the Brush Deck	Page 20	Anheben / Senken des Bürstendecks	Page 21
Fitting the Brush	Page 20	Montieren der Bürste	Page 21
Floor-tool transit bracket	Page 20	Abstreifer-Überführungs-Haltebügel	Page 21
Filling the clean-water tank	Page 22	Füllen des Frischwassertanks	Page 23
Fill Level Indicator	Page 22	Füllstandsanzeige	Page 23
Machine Operation		Bedienung der Maschine	
Pre-cleaning advice	Page 24	Hinweise zur Reinigungsvorbereitung	Page 25
Setting the cleaning controls	Page 24	Einstellen der Reinigungssteuerung	Page 25
Waste water tank full	Page 24	Schmutzwassertank voll	Page 25
Brush pressure	Page 26	Bürstendruck	Page 27
Emergency stop button and horn	Page 26	Notaus-Piltaster und Hupe	Page 27
Anti-tip System	Page 26	Kippschutzsystem	Page 27
Machine usage advice	Page 28	Empfehlungen zum Einsatz	Page 29
Maximum Speed Control	Page 28	Höchstgeschwindigkeitsbegrenzung	Page 29
Hose U-Bend Clip	Page 30	U-Bogen-Klemme für Schlauch	Page 31
Off-aisle cleaning kit (optional)	Page 30	Externer Reinigungssatz (Option)	Page 31
Machine Cleaning		Reinigung der Maschine	
Tanks and Filters	Page 32	Tanks und Filter	Page 33
Floor-tool cleaning and blade replacement	Page 36	Reinigung des Abstreifers und Austausch des Blatts	Page 37
Machine Charging	Page 40	Laden des Akkus	Page 41
Free-wheel function	Page 42	Freilauffunktion	Page 43
Battery care	Page 42 / 44	Pflege des Akkus	Page 43 / 45
Trouble-shooting	Page 54	Fehlersuche und -behebung	Page 54
Specifications	Page 56	Funktionsschema	Page 56
Schematic	Page 56	Technische Daten	Page 57
Spare Parts	Page 58	Empfohlene Ersatzteile	Page 58
Declaration document	Page 59	EG-Konformitätserklärung	Page 59
Company addresses	Page 60	Garantie	Page 60



Index	Page 2	Index	Page 2
Description de la machine	Page 5	Overzicht machine	Page 5
Description du panneau de commande	Page 7	Overzicht bedieningspaneel	Page 7
Plaque signalétique / Équipement de protection individuelle / Recyclage	Page 12	Kenplaatje / Persoonlijke Beschermingsmiddelen / Recycling	Page 14
Précautions à prendre	Page 13	Veiligheidsmaatregelen	Page 15
Guide d'installation rapide	Page 17	Snelstartgids	Page 17
Préparation de la machine		Machine klaarmaken	
Relèvement/abaissement du suceur	Page 19	Vloerelement optillen/neerlaten	Page 19
Montage du suceur	Page 19	Vloerelement monteren	Page 19
Fonction de détachement du suceur	Page 19	Losmaakfunctie vloerelement	Page 19
Relèvement/abaissement du plateau de brosses	Page 21	Borstelplaat optillen/neerlaten	Page 21
Montage de la brosse	Page 21	Borstel monteren	Page 21
Support de transit du suceur	Page 21	Transportbeugel vloerelement	Page 21
Remplissage du réservoir d'eau propre	Page 23	Schoonwatertank vullen	Page 23
Indicateur du niveau de remplissage	Page 23	Aanduiding vulniveau	Page 23
Fonctionnement de la machine		Bediening machine	
Conseils de pré-nettoyage	Page 25	Vorbereidende handelingen	Page 25
Réglage des commandes de nettoyage	Page 25	Schoonmaakfuncties instellen	Page 25
Réservoir d'eau sale plein	Page 25	Vuilwatertank is vol	Page 25
Pression de la brosse	Page 27	Borsteldruk	Page 27
Bouton d'arrêt d'urgence et klaxon	Page 27	Noodstopknop en claxon	Page 27
Système antibasculement	Page 27	Antikantelsysteem	Page 27
Conseils d'utilisation de la machine	Page 29	Gebruiksadvies machine	Page 29
Commande de la vitesse maximale	Page 29	Instelling maximumsnelheid	Page 29
Collier de repli du tuyau	Page 31	U-vormige slangkleem	Page 31
Kit de nettoyage hors-allée (en option)	Page 31	Externe schoonmaakkit (optioneel)	Page 31
Nettoyage de la machine		Machine schoonmaken	
Réservoirs et filtres	Page 33	Tanks en filters	Page 33
Nettoyage du suceur et remplacement des lamelles	Page 37	Reinigen vloerelement en vervangen wisser	Page 37
Charge de la machine	Page 41	Machine opladen	Page 41
Fonction roues libres	Page 43	Vrijloopstand	Page 43
Entretien de la batterie	Page 43 / 45	Onderhoud accu's	Page 43 / 45
Dépannage	Page 55	Verhelpen van problemen	Page 55
Schémas	Page 56	Schakelschema	Page 56
Spécifications	Page 57	Specificatie	Page 57
Pièces de rechange recommandées	Page 58	Aanbevolen reserveonderdelen	Page 58
Document de déclaration	Page 59	Conformiteitsverklaring	Page 59
Adresses de l'entreprise	Page 60	Bedrijfsadres	Page 60

Machine Overview



1	Operator control panel	10	On-board charger and charge indicator
2	Brush deck foot pedal	11	Accelerator pedal
3	Anti-tip buffers	12	Pedestrian warning light
4	Floor-tool raise / lower lever	13	Floor-tool transit bracket
5	Clean water tank fill point	14	Air separator assembly
6	Brush deck	15	Waste water emptying hose
7	40 Amp battery fuse	16	Vacuum hose
8	Gel batteries	17	Clean water tank emptying hose
9	Clean water tank filter	18	Floor-tool

Überblick über die Maschine



1	Bedienfeld	10	Onboard-Ladegerät und Ladestandsanzeige
2	Bürstendeck-Pedal	11	Fahrpedal
3	Kippschutzgleiter	12	Fußgänger-Warnleuchte
4	Hebel zum Anheben oder Senken des Abstreifers	13	Abstreifer-Überführungs-Haltebügel
5	Frischwassertank-Füllstandsmarke	14	Luftabscheider-Baugruppe
6	Bürstendeck	15	Schmutzwasser-Ablassschlauch
7	40-A-Sicherung des Akkus	16	Saugschlauch
8	Gel-Akkus	17	Frischwassertank-Ablassschlauch
9	Frischwassertankfilter	18	Abstreifer

Description de la machine



1	Panneau de commande de l'opérateur	10	Chargeur embarqué et indicateur de charge
2	Pédale du plateau de brosses	11	Pédale d'accélérateur
3	Tampons antibasculément	12	Avertisseur lumineux pour les piétons
4	Levier de relèvement/abaissement du suceur	13	Support de transit du suceur
5	Point de remplissage du réservoir d'eau propre	14	Séparateur pneumatique
6	Plateau de brosses	15	Tuyau de vidange d'eau sale
7	Fusible de batterie 40 A	16	Tuyau d'aspiration
8	Batteries au gel	17	Tuyau de vidange du réservoir d'eau propre
9	Filtre de réservoir d'eau propre	18	Suceur

Overzicht machine



1	Bedieningspaneel	10	Ingebouwde lader en indicator laadniveau
2	Pedaal borstelplaat	11	Gaspedaal
3	Antikantelblokken	12	Waarschuwinglamp voetgangers
4	Hendel vloerelement optillen / neerlaten	13	Transportbeugel vloerelement
5	Vulpunt schoonwatertank	14	Luchtscheidingselement
6	Borstelplaat	15	Afvoerslang vuilwater
7	Accuzekering 40 Amp	16	Zuigslang
8	Gel-accu's	17	Afvoerslang schoonwatertank
9	Filter schoonwatertank	18	Vloerelement

Control Panel Overview



1	Water Flow Rate Indicator and Selection Button
2	Brush Engage and Disengage Button
3	Service Indicator
4	Brush Pressure / Load Indicator
5	Run Time Selection Button
6	Battery Charge Level Indicator
7	Off Aisle Vacuum Button
8	On / Off Switch
9	Forward / Reverse Switch
10	LED Status Indicator
11	Maximum Speed Control
12	Horn Button
13	Emergency Stop Button

Überblick über das Bedienfeld



1	Taste zum Anzeigen und Wählen der Wasserdurchflussmenge
2	Taste zum Festspannen/Lösen der Bürste
3	Service-Anzeige
4	Bürstendruck / Lastanzeige
5	Laufzeit-Einstelltaste
6	Akkuladestandsanzeige
7	Taste für externe Saugvorrichtung
8	Ein-/Aus-Schalter
9	Umschalter Vorwärts/Rückwärts
10	Zustandsanzeige (LED)
11	Höchstgeschwindigkeitsbegrenzung
12	Betätigungstaster der Hupe
13	Notaus-Piltaster

Description du panneau de commande



1	Indicateur et bouton de sélection du débit d'eau
2	Bouton d'engagement et de désengagement de la brosse
3	Indicateur de service
4	Indicateur de pression/charge de la brosse
5	Bouton de sélection de temps de fonctionnement
6	Indicateur de niveau de charge des batteries
7	Bouton d'aspiration hors-allée
8	Commutateur marche/arrêt
9	Bouton marche avant/marche arrière
10	Indicateur d'état à DEL
11	Commande de la vitesse maximale
12	Bouton de klaxon
13	Bouton d'arrêt d'urgence

Overzicht bedieningspaneel

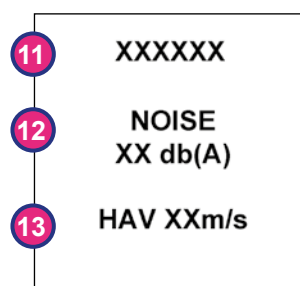
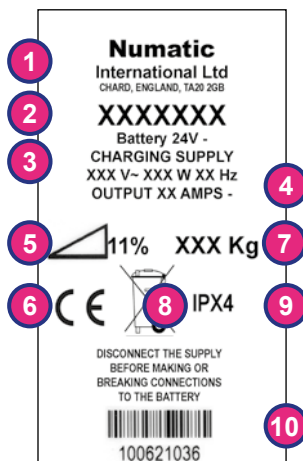


1	Indicator waterdebiet en keuzeknop
2	Knop vergrendelen/ontgrendelen borstel
3	Onderhoudsindicator
4	Indicator borsteldruk/-belasting
5	Keuzeknop looptijd
6	Indicator acculaadniveau
7	Knop externe aanzuiging
8	Aan/uit-schakelaar
9	Schakelaar Vooruit / Achteruit
10	LED-statusindicator
11	Instelling maximumsnelheid
12	Claxonknop
13	Noodstopknop

About the Machine



Rating Label	
1	Company Name & Address
2	Machine Description
3	Power rating
4	Voltage Frequency
5	Max Gradient
6	CE Mark
7	Weight (ready to use)
8	WEEE Logo
9	Ingress Protection Rating
10	Machine yr/wk Serial number



11	Machine Description
12	Noise Rating
13	Hand Arm Vibration

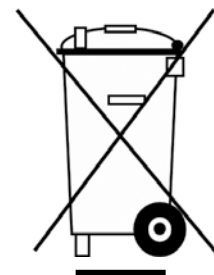
WEEE (Waste, Electrical and Electronic Equipment)

Scrubber dryer Accessories and packaging should be sorted for environmentally-friendly recycling. **Only for EU countries.**

Do not dispose of scrubber-dryer into household waste.

According to the European Directive 2002/96/EC on waste electrical electronic equipment and its incorporation into national law.

Scrubber-dryers that are no longer suitable for use must be separated, collected and sent for recovery in an environmentally-friendly manner.



PPE (Personal protective equipment) that may be required for certain operations.

Ear Protection	Safety Footwear	Head Protection	Safety Gloves	
Dust/Allergens Protection	Eye Protection	Protective Clothing	Hi-Vis Jacket	
				Caution Wet Floor Sign

Note:

A risk assessment should be conducted to determine which PPE should be worn.

Safety Critical Component:

Charging Leads: Ho5VV-F x 1.0 mm² x 3 Core
 Transaxle 205190
 Battery Charger (230V)
 (115V)

Caution



**No HOT drinks
 when operating this
 machine.**

**In the event of a breakdown contact your Numatic dealer or the
 Numatic Technical help line +44 (0)1460 269268**



ORIGINAL INSTRUCTIONS READ MANUAL BEFORE USE

Information for Scrubber Dryer



As with all electrical equipment care and attention must be exercised at all times during its use, in addition to ensuring that routine and preventative maintenance is carried out periodically in order to ensure its safe operation.

Failure to carry out maintenance as necessary, including the replacement of parts to the correct standard could render this equipment unsafe and the manufacturer can accept no responsibility or liability in this respect. When ordering spare parts always quote the Model Number / Serial Number specified on the Rating Plate.

This appliance is not intended for use by persons (including children) with reduced physical, sensory or mental capabilities, or lack of experience and knowledge, unless they have been given supervision or instruction concerning use of the appliance by a person responsible for their safety. Children should be supervised to ensure that they do not play with the appliance.

If this product does not have a factory installed Numatic battery charger and batteries then it is the responsibility of the owner and user of the product to ensure that the charging system and battery combination are compatible, fit for purpose and safe to use.

Only use brushes provided with the appliance or those specified in the instruction manual.

The use of other brushes may impair safety.

A full range of brushes and accessories are available for this product. Only use brushes or pads which are suitable for the correct operation of the machine for the specific task being performed.

It is essential that this equipment is correctly assembled and operated in accordance with current safety regulations.

When using the equipment always ensure that all necessary precautions are taken to guarantee the safety of the operator and any other persons who may be affected.

Wear nonslip footwear when scrubbing. Use a respiratory mask in dusty environments.

The machine, while charging, must be positioned so that the mains plug is easily accessible.

Remove the key from the ignition when cleaning and carrying out routine maintenance. When replacing major components the ignition key and battery fuses MUST be removed.

If this product does not have a factory installed Numatic battery charger and batteries then it is the responsibility of the owner and user of the product to ensure that the charging system and battery combination are compatible, fit for purpose and safe to use.

Machines left unattended shall be secured against unintentional movement.

When detergents or other liquids are used, read the manufacturer's instructions.

Operators shall be adequately instructed as to the correct use of the machine.



This machine is not suitable for picking-up hazardous dust.
Do not use on surfaces having a gradient exceeding that marked on the appliance.
The machine is not to be stored outdoors in wet conditions.
This machine is for indoor use only.
Read the instruction manual before using the appliance.
This product meets the requirements of IEC 60335-2-72

NOTES

This machine is also suitable for commercial use, for example in hotels, schools, hospitals, factories, shops and offices for other than normal housekeeping purposes.



DO

- Ensure only competent persons unpack/assemble the machine.
- Keep your machine clean.
- Keep your brushes in good condition.
- Replace any worn or damaged parts immediately.
- Regularly examine the power cord for damage, such as cracking or ageing. If damage is found, replace the cord before further use.
- Only replace the power cord with the correct Numatic approved replacement parts.
- Ensure that the work area is clear of obstructions and / or people.
- Ensure that the working area is well illuminated.
- Pre-sweep the area to be cleaned.



DON'T

- Use steam cleaners or pressure washers to clean the machine or use in the rain.
- Attempt machine maintenance or cleaning unless the power plug has been removed from the supply outlet, if the machine is in charge mode or remove the key if in normal use.
- Allow any inexperienced repairs. Contact your nearest service centre.
- Strain charger lead or try to unplug by pulling on charger lead.
- Leave the brush deck in the lowered position when not in use.
- Expect the machine to provide trouble-free, reliable operation unless maintained correctly.
- Run the machine over any power cables during operation.

Precautions when working with batteries

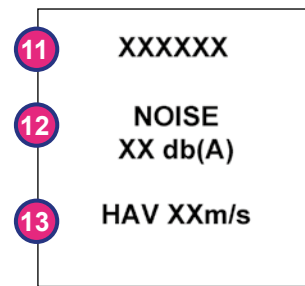
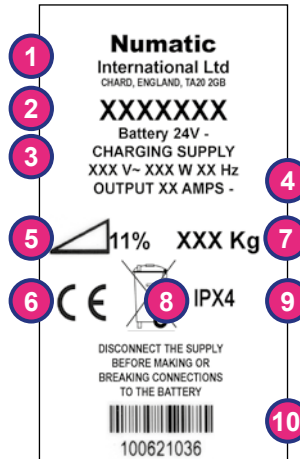
1. Always wear protective clothing e.g. face visor, gloves and overalls when working with batteries.
2. Whenever possible always use a properly designated and well-ventilated area for charging. Do not smoke or bring naked flames into the charging area.
3. Remove any metallic items from hands, wrists and neck i.e. rings, chains etc. before working on a battery.
4. Never rest tools or metallic objects on top of the battery.
5. When charging is complete disconnect from the mains supply.
6. The machine must be disconnected from the supply when removing the battery.
7. To remove the batteries:- Disconnect machine from the mains supply (if charging), raise waste water tank and ensure batteries are isolated by removing fuses. Disconnect hoses from separator and tanks, Undo battery terminals and remove batteries.
8. Only use genuine Numatic replacement batteries.
9. Do not allow the batteries to become fully discharged, it may not be possible to recharge them.
10. Do not allow one battery to be discharged separately to the other.
11. Do not mix batteries from different machines.
12. The batteries fitted to this product are Valve Regulated Lead Acid (VRLA) gel electrolyte type. The fitting of any other type of battery may cause a safety hazard.
13. The batteries must be removed from the machine before it is scrapped.
14. Dispose of the batteries safely in accordance with local government regulations.

BATTERY CARE

1. Always recharge the batteries after use. This can be done at any time – it is not necessary to wait until they are fully discharged; they do not develop a “memory”.
2. Leaving the charger to operate for a minimum of 4 hours after the green light has come on, at least weekly, will pro-long battery life.
3. Do not store the machine with the batteries discharged.



Leistungsschild	
1	Name und Adresse des Unternehmens
2	Beschreibung der Maschine
3	Spannung/Strom/Frequenz
4	Leistung
5	Max. Anstieg
6	CE-Kennzeichnung
7	(Nutz-) Gewicht
8	WEEE Logo
9	Schutzart
10	Maschine Jahr/Woche/ Seriennummer



11	Beschreibung der Maschine
12	Geräusentwicklung
13	Hand-Arm-Vibration

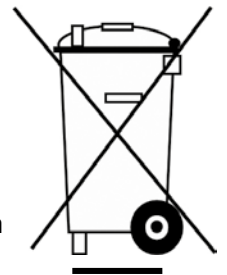
Zubehör und Verpackungsmaterial der Scheuersaugmaschine sollten zur umweltfreundlichen Entsorgung entsprechend sortiert werden.

Für EU-Länder gilt:

Die Scheuersaugmaschine nicht mit dem Hausmüll entsorgen.

Die Entsorgung muss entsprechend der WEEE-Richtlinie 2002/96/EG über Elektro- und Elektronik-Altgeräte und ihrer jeweiligen Umsetzung in nationales Recht erfolgen.

Nicht mehr einsatzfähige Scheuersaugmaschinen müssen ausgesondert und einem umweltschonenden Recycling zugeführt werden.



PSA Persönliche Schutzausrüstung, die für gewisse Arbeiten erforderlich sein kann.

Gehörschutz	Sicherheitsschuhe	Kopfschutz	Schutzhandschuhe	
Staub-/ Allergieschutz	Augenschutz	Schutz-kleidung	Warnjacke	Fußbodenwarnschild

Hinweis:

Eine Risikobeurteilung sollte durchgeführt werden, um zu bestimmen, welche PSA zu tragen ist.

Sicherheitsrelevante Komponenten:

Ladekabel: Ho5VV-F x 1.0 mm² x 3 Core
 Getriebe 205190
 Akku-Ladegerät (230V)
 (115V)

VORSICHT



**Keine heißen
Getränketrinken beim
Einsatz der Maschine!**

Wenn Sie das Problem nicht beheben können oder wenn es zu einer Störung kommt, wenden Sie sich an Ihren Numatic-Händler oder rufen Sie bei der Numatic Technical Helpline an unter 0049 (0)511 9842160.



Wie alle elektrischen Geräte müssen Sie auch diese Maschine stets aufmerksam und mit größter Vorsicht bedienen. Sie müssen sicherstellen, dass regelmäßig sowohl eine routinemäßige als auch eine vorbeugende Wartung durchgeführt wird, damit ein sicherer Betrieb der Maschine gewährleistet ist. Wenn Sie die Wartung nicht im nötigen Umfang durchführen, darin eingeschlossen das Verwenden von korrekten Ersatzteilen, kann die Sicherheit dieser Maschine beeinträchtigt werden, und der Hersteller kann weder die Verantwortung noch eine Haftung in dieser Hinsicht übernehmen.
Nennen Sie bei der Bestellung von Ersatzteilen immer die Modell- oder Seriennummer, die auf dem Leistungsschild angegeben ist *.

Die Maschine darf in Außenbereichen oder unter feuchten Bedingungen weder eingesetzt noch abgestellt werden.
Die Maschine darf nicht von unerfahrenen, nicht berechtigten bzw. nicht entsprechend geschulten Personen bedient werden.
Verwenden Sie nur die Bürsten, die zusammen mit der Maschine geliefert wurden bzw. die im Handbuch angegeben sind. Durch die Verwendung anderer Bürsten kann die Sicherheit beeinträchtigt werden. Für dieses Produkt ist ein umfassender Satz an Bürsten und weiteren Zubehörteilen erhältlich. Verwenden Sie nur Bürsten oder Pads, die für den korrekten Betrieb der Maschine bei der speziellen durchzuführenden Aufgabe geeignet sind.

Es ist entscheidend, dass dieses Gerät richtig zusammengebaut und entsprechend den aktuell geltenden Sicherheitsvorschriften bedient wird. Stellen Sie bei Verwendung des Geräts stets sicher, dass alle notwendigen Sicherheitsvorkehrungen umgesetzt wurden, um die Sicherheit des Bedieners sowie anderer, möglicherweise betroffener Personen zu gewährleisten. Tragen Sie beim Scheuern rutschfestes Schuhwerk. Verwenden Sie in staubigen Umgebungen eine Atemschutzmaske.

Die Maschine muss beim Laden so aufgestellt werden, dass der Netzstecker leicht zugänglich ist.
Ziehen Sie beim Reinigen der Maschine und bei der Durchführung der Routinewartung den Schaltschlüssel ab. Wenn größere Komponenten ersetzt werden,

MÜSSEN der Schaltschlüssel und die Akkusicherungen entfernt werden.

Achtung Bei Verwendung von Reinigungsmitteln oder anderen Flüssigkeiten, lesen Sie die Anweisungen des Herstellers.

Falls die Maschine nicht mit dem von Numatic gelieferten Ladegerät und Batterien ausgestattet ist, dann liegt es in der Verantwortung des Eigentümers und Nutzers zu gewährleisten, dass die Ladegerät-, Batterie-Kombination kompatibel und für den Zweck geeignet und sicher zu bedienen ist.



Diese Maschine ist nicht für die Aufnahme von gefährlichem Staub geeignet.
Verwenden Sie die Maschine nicht auf Oberflächen, die stärker geneigt sind, als auf der Maschine gekennzeichnet.
Die Maschine darf in Außenbereichen oder unter feuchten Bedingungen weder eingesetzt noch abgestellt werden.
Diese Maschine ist für den Einsatz im Innenbereich ausgelegt.
Lesen Sie vor dem Gebrauch das Handbuch des Gerätes.
Dieses Produkt erfüllt die Anforderungen gemäß BS EN 60335-22.72, Punkt 20.1

ANMERKUNG

Diese Maschine eignet sich auch für den gewerblichen Gebrauch außerhalb des normalen hauswirtschaftlichen Einsatzes, beispielsweise in Hotels, Schulen, Krankenhäusern, Fabriken, Läden und Büros.



TUN

- Stellen Sie sicher, dass nur entsprechend befähigte Personen die Maschine auspacken/zusammenbauen.
- Halten Sie Ihre Maschine sauber.
- Halten Sie die Bürsten in einem guten Zustand.
- Ersetzen Sie verschlissene oder beschädigte Teile umgehend.
- Überprüfen Sie das Ladekabel regelmäßig auf Beschädigungen, wie z. B. Risse oder Abnutzungserscheinungen.
- Wenn Sie feststellen, dass das Kabel beschädigt ist, ersetzen Sie es, bevor Sie weiterarbeiten.
- Ersetzen Sie das Ladekabel nur durch das korrekte, von Numatic genehmigte Ersatzteil.
- Stellen Sie sicher, dass sich keine Hindernisse oder Personen im Arbeitsbereich befinden.
- Achten Sie darauf, dass der Arbeitsbereich gut beleuchtet ist.
- Wischen Sie den zu reinigenden Bereich vor.



NICHT

- Verwenden Sie KEINE Dampfreiniger oder Druckwäscher zum Reinigen der Maschine, und verwenden Sie die Maschine NICHT im Regen.
- Führen Sie Wartungs- und Reinigungsarbeiten an der Maschine NUR durch, nachdem der Netzstecker von der Stromversorgung getrennt wurde (wenn sich die Maschine im Lademodus befindet) oder Sie den Schlüssel abgezogen haben (wenn sich die Maschine im normalen Betriebsmodus befindet).
- Lassen Sie Reparaturarbeiten NICHT von unerfahrenen Personen durchführen. Wenden Sie sich an das nächstgelegene Service-Center.
- Belasten Sie NICHT das Ladekabel, und ziehen Sie NICHT am Ladekabel, um den Stecker von der Stromversorgung zu trennen.
- Lassen Sie das Bürstendeck NICHT in der abgesenkten Position, wenn es nicht gebraucht wird.
- Gehen Sie davon aus, dass die Maschine NUR dann störungsfrei und zuverlässig betrieben werden kann, wenn sie ordentlich gewartet wird.
- Fahren Sie mit der Maschine im Einsatz NICHT über Strom führende Kabel.

Vorsichtsmassnahmen Beim Arbeiten Mit Akkus

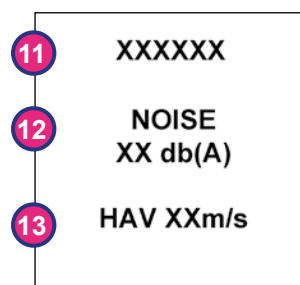
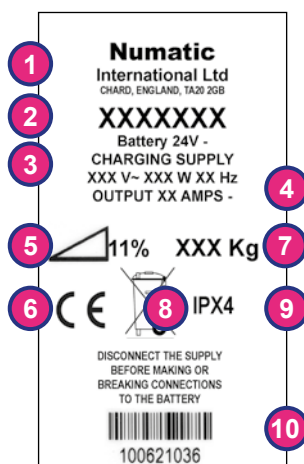
1. Tragen Sie beim Arbeiten mit Akkus stets eine entsprechende Schutzausrüstung, z. B. Gesichtsschutz, Handschuhe und angemessene Arbeitskleidung.
2. Wann immer es möglich ist, sollte das Laden in einem speziell ausgewiesenen, gut belüfteten Bereich durchgeführt werden. Rauchen und der Umgang mit offenem Feuer sind im Ladebereich untersagt.
3. Entfernen Sie alle Metallteile von Händen, Handgelenken und vom Hals (z. B. Ringe, Ketten usw.), bevor Sie an einem Akku arbeiten.
4. Lassen Sie niemals Werkzeuge oder Metallobjekte auf dem Akku liegen.
5. Sobald der Ladevorgang abgeschlossen ist, trennen Sie die Maschine vom Netz.
6. Beim Herausnehmen des Akkus muss die Maschine vom Netz getrennt sein.
7. Zum Entnehmen der Akkus:- Trennen Sie die Maschine vom Netz (wenn sie gerade geladen wird), heben Sie den Schmutzwassertank an, und stellen Sie sicher, dass die Akkus durch Entfernen der Sicherungen getrennt wurden. Trennen Sie die Schläuche vom Separator und von den Tanks. Akkus abklemmen und entnehmen.
8. Verwenden Sie nur Original-Ersatzakkus von NUMATIC.
9. Achten Sie darauf, dass die Akkus nicht vollständig entladen werden, da es sonst möglich ist, dass sie nicht wieder aufgeladen werden können. Akkus sollten nicht unter eine Spannung von 9,5 Volt bei einer Stromstärke von 10 A entladen werden.
10. Achten Sie darauf, dass die Akkus nicht ungleichmäßig (d. h. voneinander getrennt) entladen werden.
11. Akkus von unterschiedlichen Maschinen nicht mischen.
12. Die in diesem Produkt eingesetzten Akkus sind verschlossene Bleiakkumulatoren (VRLA) mit Gel-Elektrolyt.
Die Verwendung anderer Akkus kann ein Sicherheitsrisiko darstellen.
13. Bevor eine Maschine ausrangiert wird, müssen die Akkus daraus entfernt werden.
14. Entsorgen Sie die Akkus sicher und entsprechend den vor Ort geltenden gesetzlichen Bestimmungen.

AKKUPFLEGE

1. Laden Sie die Akkus nach jedem Einsatz wieder auf. Dies kann jederzeit erfolgen – Sie müssen nicht warten, bis die Akkus vollständig entladen sind, da es hier keinen „Memory-Effekt“ gibt.
2. Wenn das Ladegerät mindestens einmal wöchentlich nach dem Aufleuchten der grünen Leuchte für mindestens weitere 4 Stunden angeschlossen bleibt, verlängert sich die Akkulebensdauer.
3. Stellen Sie die Maschine nicht mit entladenen Akkus ab.



Plaque signalétique	
1	Nom et adresse de la société
2	Description de la machine
3	Fréquence de la tension
4	Puissance nominale
5	Pente max
6	Marquage CE
7	Poids (prête à l'emploi)
8	Logo DEEE
9	Indice de protection de pénétration
10	Année/Semaine/ Numéro de série de la machine

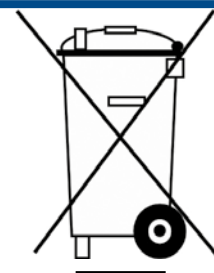


11	Description de la machine
12	Niveau sonore
13	Vibrations main-bras

Les accessoires et les emballages de l'autolaveuse doivent être triés pour un recyclage écologique. Pays de l'UE uniquement.

Ne jetez pas l'autolaveuse avec les ordures ménagères.

Selon la directive européenne 2002/96/CE relative aux déchets d'équipements électriques et électroniques (DEEE) et à sa transposition au droit national, les autolaveuses qui ne sont plus utilisables doivent faire l'objet d'une collecte sélective et être traitées d'une manière respectueuse de l'environnement.



EPI (équipement de protection individuelle) qui peut être nécessaire pour certaines opérations.

Protection des oreilles	Chaussures de sécurité	Protection de la tête	Gants de sécurité	
Protection contre la poussière/les allergènes	Protection des yeux	Vêtements de protection	Gilet haute visibilité	
				Panneau de signalisation "Attention sol mouillé"

Remarque:

Il est nécessaire de mener une évaluation des risques pour décider de l'EPI à porter.

Composants critiques pour la sécurité:

Câble de charge: Ho5VV-F x 1.0 mm² x 3 Core
Boîte-pont 205190
Chargeur de batteries (230V)
(115V)

AVERTISSEMENT



Pas de boisson chaude pendant l'utilisation de la machine.

Si vous ne parvenez pas résoudre le problème ou en cas de panne, contactez votre revendeur Numatic ou le service d'assistance technique Numatic au +33164726161



ORIGINALE LISEZ LE MODE
D'EMPLOI AVANT UTILISATION

Informations concernant l'autolaveuse



Cet appareil nécessite de prendre toutes les précautions habituelles d'utilisation des appareils électriques, ainsi que des contrôles périodiques et du maintien en état du matériel de sorte de garantir la sécurité des usagers. A défaut d'une maintenance suffisante, comprenant le remplacement des éventuelles pièces défectueuses par des pièces d'origine, le matériel peut représenter des dangers dont le constructeur ne peut être tenu responsable.

AVERTISSEMENT

L'identification précise de la machine comprenant le modèle précis et le numéro de série devra être communiqué pour tout approvisionnement de pièces détachées.

Cette machine ne convient pas aux enfants ou aux personnes aux capacités physiques, sensorielles ou mentales réduites. Les enfants doivent être tenus à l'écart. Durant la charge, la machine doit être en position arrêt, sous abris couvert, sur une surface de niveau. La clef de contact doit être retirée afin d'éviter toute utilisation par des personnes non autorisées.

N'utiliser que les brosses d'origine livrées avec la machine, ou préconisées dans le manuel d'instruction. L'utilisation de toute brosse autre peut avoir des répercussions sur la sécurité. Une gamme complète de brosses, disques et accessoires est disponible pour cette machine. N'utilisez que les brosses appropriées aux différentes applications pour lesquelles cette machine est construite.

Veillez impérativement à ce que les équipements soient montés en conformité avec la réglementation en matière de sécurité. Veillez à prendre toutes les précautions nécessaires à garantir la sécurité des utilisateurs et autres personnes qui pourraient être affectées. Employer des chaussures non glissantes, et un masque respiratoire dans le cas d'utilisation en environnement poussiéreux.

Lorsque la machine est en charge, celle-ci doit être positionnée de sorte que la prise d'alimentation soit facilement accessible. Pour toute opération de maintenance, de nettoyage, de changement d'accessoires, de reconfiguration, la machine doit impérativement être mise hors tension, et en position arrêt.

Dans le cas d'équipements livrés par Numatic avec les batteries ou le chargeur non installés, il revient à l'acquéreur, l'entière responsabilité de s'assurer que le chargeur et les batteries sont compatibles, correctement installés, adaptés à l'utilisation et remplissent totalement les conditions de sécurités.

Machines left unattended shall be secured against unintentional movement.
Lorsque des détergents ou autres liquides sont utilisés, respectez les préconisations du fabricant.
Operators shall be adequately instructed as to the correct use of the machine.



ATTENTION

Cette machine n'est pas conçue pour le ramassage de poussières dangereuses.
La machine ne doit pas être entreposée à l'extérieur dans un environnement humide.
N'utilisez pas la machine sur des surfaces ayant une pente supérieure à celle indiquée sur la plaque signalétique.
Cette machine est réservée à un usage intérieur.
Lisez le mode d'emploi avant d'utiliser l'appareil.
Ce produit est conforme aux exigences de la norme IEC 60335-2-72.

Remarques

Cette machine est également adaptée à un usage commercial, par exemple dans les hôtels, les écoles, les hôpitaux, les usines, les magasins et les bureaux à des fins autres que les besoins ménagers normaux.



IMPERATIVEMENT

- S'assurer que la machine soit déballée et préparée par le personnel compétent.
- Maintenir la machine propre.
- S'assurer que les brosses soient toujours propres et en bon état.
- Remplacer immédiatement toute pièce usée ou défectueuse.
- Vérifier régulièrement le parfait état du cordon de charge. Celui-ci doit être immédiatement remplacé à la moindre détérioration.
- Ne remplacer le cordon que par le cordon d'origine Numatic.
- S'assurer que l'aire de travail est dégagée de tout obstacle et que personne ne s'y trouve.
- Travailler en lieu bien éclairé.
- Balayer l'aire avant de la nettoyer



NE JAMAIS

- utiliser de vapeur, d'eau sous pression ou utiliser la machine sous la pluie.
- effectuer d'opération de maintenance ou de nettoyage lorsque la machine est raccordée au secteur pour être chargée.
- effectuer une réparation sans une formation préalable. Contacter le centre SAV le plus proche si besoin.
- tirer sur le câble de charge.
- laisser les brosses en position basse lorsque la machine n'est pas utilisée.
- laisser du personnel inexpérimenté non autorisé ou n'ayant pas reçu la formation adéquate, utiliser la machine.
- s'attendre à un résultat correct de la machine sans une maintenance correctement effectuée.
- faire passer la machine sur des câbles sous tension.

Precaution Pour Toute Manipulation Des Batteries

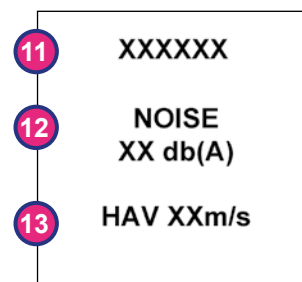
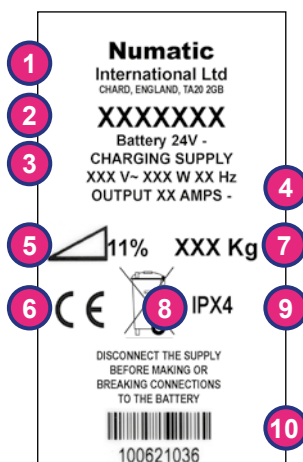
1. Toujours porter des vêtements de protection appropriés : visière faciale, gants, et combinaison étanche pour toute manipulation des batteries.
2. Toujours recharger la machine dans un endroit approprié et correctement ventilé.
Ne pas fumer ou approcher d'objet incandescent dans la zone de charge.
3. Retirer tout objet métalliques des mains (anneaux, bagues, montres, gourmettes...) avant la manipulation des batteries.
4. Ne jamais déposer d'outils ou objets métalliques sur les batteries.
5. Débrancher du secteur lorsque la machine est complètement rechargée.
6. Ôter les batteries avant élimination de la machine.
7. La machine doit être déconnectée du secteur avant d'ôter les batteries.
8. Pour retirer les batteries, ôter le câble de charge si celui-ci est connecté, vider le réservoir d'eau sale, et assurer l'isolation des batteries en enlevant le fusible.
Débrancher les flexibles du séparateur et réservoir, démonter les cosses et enlever les batteries.
9. Procéder à l'élimination des batteries usagées en respectant la législation locale.
10. N'utiliser que les batteries d'origine NUMATIC.
11. Ne jamais laisser les batteries se décharger complètement, celles-ci risqueraient de ne plus pouvoir être rechargées.
Les batteries ne doivent jamais être déchargées en dessous de 9.5V avec une intensité de 10A.
12. Ne jamais décharger une batterie plus que les autres.
13. Ne jamais panacher avec des batteries d'autres machines.
14. Les batteries définies pour cette gamme sont des batteries à régulation par vanne du flux de gel électrolytique (VRLA).
Le remplacement par des batteries autres entraîne des risques mettant en jeu la sécurité du matériel et des personnes.

ENTRETIEN DES BATTERIES:

1. Toujours recharger les batteries immédiatement après utilisation. Il n'est absolument plus utile d'attendre la décharge complète de la batterie car cette batterie ne souffre pas de l'effet de "mémoire"
2. Afin de prolonger la durée de vie de la batterie, laisser en charge chaque semaine un minimum de quatre heures après le basculement au vert du voyant de chargeur.
3. Ne jamais laisser la machine avec les batteries déchargées.



Typeplaatje	
1	Naam en adres bedrijf
2	Omschrijving machine
3	Spanning/Frequentie
4	Vermogen
5	Max. hellingshoek
6	CE-markering
7	Gewicht (klaar voor gebruik)
8	WEEE-logo
9	IP-beschermingsklasse
10	Jaar / week / serienummer machine



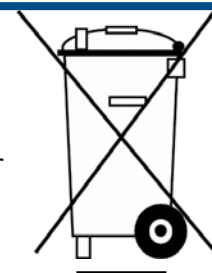
11	Omschrijving machine
12	Geluidsclassificatie
13	Trillingen handen/armen

De accessoires en verpakking van de schrobzuigmachine dienen op een milieuvriendelijke manier te worden gerecycled.

Uitsluitend voor EU-landen.

De schrobzuigmachine mag niet met het huishoudelijk afval worden afgevoerd!

Volgens Europese Richtlijn 2002/96/EC betreffende afgedankte elektrische en elektronische apparatuur (Waste, Electrical, Electronic Equipment of WEEE) en de overeenkomstige nationale wetten en bepalingen dienen afgedankte schrobmachines gescheiden van het huishoudelijke afval te worden ingezameld en op een milieuvriendelijke manier verder te worden verwerkt.



PBM (Persoonlijke Beschermingsmiddelen) die mogelijk nodig zijn voor bepaalde werkzaamheden.

Gehoorbescherming	Beschermend schoeisel	Veiligheidshelm	Veiligheidshandschoenen	
Adembescherming	Oogbescherming	Beschermende kleding	Reflecterende jas	
				Waarschuwbord gladde vloer

Opmerking:

Voer een risicobeoordeling uit en bepaal welke PBM moeten worden gedragen.

Veiligheidskritische onderdelen:

Laadsnoer: Ho5VV-F x 1.0 mm² x 3 Core
 Transas 205190
 Acculader (230V)
 (115V)

Waarschuwing



Gebruik geen warme dranken tijdens het werken met de machine.

Neem contact op met uw Numatic-verdeler als u het probleem niet kunt verhelpen of de machine dienst weigert. U kunt ook de technische hulplijn van Numatic bellen op +31 172 467 999



WAARSCHUWING

Zoals voor alle elektrische apparatuur dient tijdens gebruik steeds de nodige zorgvuldigheid in acht te worden genomen en moet regelmatig periodiek en preventief onderhoud worden uitgevoerd om de veiligheid van de machine te kunnen garanderen. Het niet uitvoeren van het nodige onderhoud of het vervangen van onderdelen door inferieure onderdelen, kan de veiligheid in gevaar brengen. De fabrikant kan hiervoor in geen geval aansprakelijk worden gesteld. Vermeld bij het bestellen van reserveonderdelen steeds het op het kenplaatje* vermelde modelnummer/serienummer.

Deze machine is niet bedoeld voor gebruik door personen (waaronder kinderen) met verminderde fysieke, zintuiglijke of psychische vermogens of door personen die niet voldoende ervaring of kennis hebben, tenzij onder toezicht of instructie voor het gebruik van de machines door iemand die verantwoordelijk is voor hun veiligheid.

Er moet goed op worden toegezien dat kinderen niet met de machine spelen.

Gebruik enkel borstels die bij de machine worden geleverd of borstels die uitdrukkelijk in de gebruikershandleiding staan vermeld. Het gebruik van andere borstels kan de veiligheid in gevaar brengen. Er is voor deze machine een volledig gamma borstels en accessoires verkrijgbaar. Gebruik enkel borstels of pads die een goede werking van de machine en een correcte uitvoering van de betreffende taak garanderen.

Het is van het grootste belang dat deze machine correct wordt gemonteerd en bediend conform de geldende veiligheidsvoorschriften. Let er bij het gebruiken van deze machine steeds op dat alle nodige voorzorgsmaatregelen worden genomen om de veiligheid van de bediener en mogelijke omstanders te garanderen. Draag bij het schrobben altijd schoenen met antislipzool. Draag in stoffige omgevingen altijd een stofmasker.

Plaats de machine bij het opladen altijd zo dat het stopcontact eenvoudig toegankelijk is.

Haal de sleutel uit het contact wanneer u schoonmaak- of onderhoudswerkzaamheden aan de machine uitvoert. Bij het vervangen van grote onderdelen MOETEN de sleutel en de accuzekeringen altijd worden verwijderd.

Waarschuwing: Als dit product geen door de fabriek geïnstalleerde acculader en accu's heeft, is het de verantwoordelijkheid van de eigenaar en gebruiker om zich ervan te verzekeren dat de combinatie van het laadsysteem en de accu's bij elkaar passen, toepasselijk zijn en veilig zijn in gebruik.

Wanneer de machine onbeheerd wordt achtergelaten, moet ze worden vastgezet zodat ze niet ongewild kan gaan bewegen. Als u schoonmaakmiddelen of andere vloeistoffen gebruikt, lees dan de gebruiksaanwijzing.



OPGELET

Deze machine mag niet worden gebruikt voor het opvegen van gevaarlijk stof. Gebruik de machine niet op oppervlakken met een helling die de op de machine aangegeven maximale hellingshoek overschrijdt. De machine mag niet buiten of in vochtige omgevingen worden gebruikt of opgeborgen. Deze machine is uitsluitend voor gebruik binnen bestemd. Lees de gebruikershandleiding alvorens deze machine in gebruik te nemen. Dit product voldoet aan de vereisten van BS EN 60335-22.72 paragraaf 20.1

OPMERKING

Deze machine is tevens geschikt voor zwaar gebruik, d.w.z. zwaarder dan huishoudelijk gebruik, zoals bijvoorbeeld in hotels, scholen, ziekenhuizen, fabrieken, winkels en kantoren.



WEL DOEN

- zorg ervoor dat de machine alleen door ervaren personen worden uitgepakt / gemonteerd.
- houd de machine schoon.
- houd de borstels in goede staat.
- vervang versleten of beschadigde onderdelen meteen.
- controleer het laadsnoer geregeld op beschadiging, zoals scheuren of slijtage.
- Vervang het snoer wanneer het is beschadigd, voordat u de machine opnieuw gaat gebruiken.
- Vervang het laadsnoer uitsluitend door een geschikt en door Numatic goedgekeurd reserveonderdeel.
- zorg ervoor dat er zich geen obstakels en/of mensen in de werkzone bevinden.
- zorg ervoor dat de werkzone goed verlicht is.
- veeg de zone die u gaat schoonmaken vooraf schoon.



NIET DOEN

- gebruik geen stoomreiniger of hogedrukspuit om de machine schoon te maken en gebruik de machine nooit in de regen
- Voer geen onderhouds- of schoonmaakwerkzaamheden uit aan de machine terwijl de stekker in het stopcontact zit, de machine aan het opladen is of de sleutel nog op het contact zit.
- laat nooit reparaties door onbevoegden uitvoeren. Neem daarvoor steeds contact op met het dichtstbijzijnde servicecentrum.
- span het laadsnoer nooit strak en verwijder het nooit uit het stopcontact door eraan te trekken.
- laat de borstelplaat niet omlaag staan wanneer ze niet in gebruik is.
- verwacht niet dat de machine probleemloos zal werken wanneer ze niet correct wordt onderhouden.
- rijd nooit over stroomkabels met de machine.

Voorzorgsmaatregelen bij het werken met accu's

1. Draag steeds beschermende kledij zoals een gezichtsmasker, handschoenen en overall wanneer u werkt met accu's
2. Laad de accu's indien mogelijk steeds in een specifiek daartoe voorziene en goed geventileerde ruimte op. In dergelijke ruimtes mag niet gerookt worden en mogen geen toestellen met open vlam worden gebruikt.
3. Verwijder alle metalen voorwerpen zoals ringen, kettingen, enz. van handen, polsen en nek alvorens aan een accu te werken.
4. Laat nooit gereedschap of metalen voorwerpen bovenop de accu liggen.
5. Haal het laadsnoer uit het stopcontact zodra het opladen voltooid is.
6. De machine mag niet aangesloten zijn op de netvoeding wanneer u de accu verwijdert.
7. Hoe verwijdert u de accu's? Haal stekker van de machine uit het stopcontact (als ze wordt opgeladen), til de vuilwatertank op en zorg dat de accu's geïsoleerd zijn door de zekeringen te verwijderen. Maak alle slangen van de scheider en de tanks los. Maak de accuklemmen los en verwijder de accu's.
8. Gebruik uitsluitend authentieke NUMATIC vervangaccu's.
9. Laat de accu's nooit volledig ontladen. Mogelijk kunt u ze daarna niet meer opladen.
10. Laat de machine nooit op 1 battery werken.
11. Gebruik nooit accu's van verschillende machines samen.
12. De in deze machine gebruikte accu's zijn VRLA-accu's van het gel-type. Het installeren van andere types accu's kan de veiligheid in gevaar brengen.
13. De accu's moeten uit de machine worden gehaald wanneer die definitief buiten dienst wordt gesteld.
14. Voer accu's op een veilige manier af, conform de lokale regelgeving.

ACCU-ONDERHOUD

1. Laad de accu's na elk gebruik op. Dit kan op elk moment - u hoeft niet te wachten tot ze volledig ontladen zijn; ze ontwikkelen geen "geheugen".
2. De nuttige levensduur van de accu wordt verlengd wanneer u de lader ten minste eenmaal per week minstens 4 uur laat werken nadat het groene lichtje begint te branden.
3. Berg de machine niet op met lege accu's.

Quick Set-Up Guide



**PLEASE READ BEFORE COMMENCING ANY OPERATION
AFTER THE REMOVAL OF ALL THE PACKAGING, CAREFULLY OPEN AND CHECK THE CONTENTS.**



Contents:

- 1 x Operator Manual
- 2 x Battery Charger Lead
- 2 x Keys
- 1 x 40 Amp Fuse (1 x Spare)
- 1 x Maxi Fuse-puller



Lift top tank assembly to reveal battery compartment.
Always lift between points as illustrated to ensure personal safety (Fig.1).
Fit battery fuse into the battery fuse holder as illustrated (Fig.2).
Remove transit block from pallet (Fig.3).



Ensure no metal objects come into contact with battery terminals while the batteries are exposed. When inserting the fuse you may notice a spark, this is normal.



Insert key into ignition and turn quarter-turn clockwise to the 'ON' (1) position, make sure that the forward / reverse switch is set to forward and the speed control is set to low (Fig.4).

DO NOT depress accelerator pedal while software initialises.

Depress accelerator pedal with right foot and slowly drive machine off of the pallet using the ramp provided (Fig.5).

Make sure the ramp is central to the machine and drive off straight.

Note: The seat is fitted with a pressure sensor that disables the machine until an operator is seated.

When the machine is removed and in a safe position, turn key back to the 'OFF' (0) position (Fig.6).

Schnellanleitung



Nach Entfernung der Verpackung das Starterpaket (Abb. 1) vorsichtig öffnen und seinen Inhalt kontrollieren.

Inhalt:

- 1 x Bedienerhandbuch
- 2 x Akku-Ladekabel
- 2 x Schlüssel
- 1 x 40-A-Sicherung (1 x Ersatz)
- 1 x Sicherungsauszieher

Die obere Tank-Baugruppe anheben, um Zugang zum Akkufach zu erhalten.

Zur Sicherheit immer, wie in Abb. 1 gezeigt, zum Anheben an zwei Stellen anfassen.

Die Akku-Sicherung, wie gezeigt (Abb. 2), in den Akku-Sicherungshalter einsetzen.

Die Transportsicherung von der Palette lösen (Abb. 3).

Darauf achten, dass die Klemmen des offen liegenden Akkus nicht mit Metallgegenständen in Berührung kommen.

Beim Einsetzen der Sicherung bemerken Sie möglicherweise einen Funken. Das ist normal.

Den Schaltschlüssel einstecken und in einer Vierteldrehung im Uhrzeigersinn in die Einstellposition bringen. Darauf achten, dass der Vorwärts-/Rückwärtsschalter auf Vorwärtsrichtung steht und niedrige Geschwindigkeit gewählt ist (Abb. 4).

Während der Initialisierung der Software NICHT das Fahrpedal treten.

Das Fahrpedal mit dem rechten Fuß betätigen und die Maschine über die hierzu bereitgestellte Rampe langsam von der Palette fahren (Abb. 5).

Sicherstellen, dass die Rampe zur Maschinenachse zentriert ist und geradlinig herabfahren.

Anmerkung: Im Sitz ist ein Drucksensor eingebaut, der den Betrieb der Maschine verhindert, solange kein Bediener aufsitzt.

Nachdem die Maschine in eine sichere Position herabgefahren ist, den Schlüssel in die Ausschaltposition (0) zurückdrehen (Abb. 6).

Guide d'installation rapide



Après avoir retiré tous les emballages, ouvrez avec précaution et vérifiez soigneusement le contenu du pack de démarrage (fig. 1).

Contenu :

- 1 manuel d'utilisation
- 2 câbles de charge pour les batteries
- 2 clés
- 1 fusible 40 A (1 de rechange)
- 1 extracteur de fusibles Maxi

Soulevez l'ensemble réservoir supérieur pour accéder au compartiment des batteries.

Pour assurer votre sécurité personnelle, soulevez toujours entre les points, comme illustré (fig. 1).

Installez le fusible de batterie dans le support de fusible de batterie, comme illustré (fig. 2).

Retirez le bloc de transit de la palette (fig. 3).

Veillez à ce qu'aucun objet métallique n'entre en contact avec les bornes de batteries lorsque les batteries sont exposées.

Lorsque vous insérez le fusible, il se peut que vous remarquiez une étincelle, ce qui est normal.

Insérez la clé dans le contact et tournez-la d'un quart de tour vers la droite sur la position « ON » (1), assurez-vous que le bouton marche avant/marche arrière est sur marche avant et que la commande de vitesse est réglée sur la vitesse basse (fig. 4).

N'APPUYEZ PAS sur la pédale d'accélérateur pendant que le logiciel s'initialise.

Appuyez sur la pédale d'accélérateur du pied droit et descendez lentement la machine de la palette en utilisant la rampe fournie (fig. 5).

Vérifiez que la rampe est bien centrée sur la machine et sortez la machine directement de la palette.

Remarque : Le siège est équipé d'un capteur de pression qui désactive la machine lorsque personne n'est assis dessus.

Lorsque vous avez fini d'utiliser la machine et que celle-ci se trouve dans une position sûre, tournez la clé pour la ramener en position Arrêt (0) (fig. 6).

Snelstartgids



Verwijder alle verpakking, open het startpakket voorzichtig en controleer of de inhoud compleet is (Fig. 1).

Inhoud:

- 1 x gebruikershandleiding
- 2 x laadsnoeren voor de accu's
- 2 x sleutels
- 1 x zekering 40 Amp (1 x reserve)
- 1 x Maxi-zekeringtrekker

Til het bovenste tankelement op om toegang te krijgen tot het accucompartiment.

Til altijd op tussen de punten zoals getoond, om de veiligheid te waarborgen (Fig. 1).

Installeer de accuzekeringen zoals afgebeeld in de houders (Fig. 2).

Verwijder de transportblokkering van de pallet (Fig. 3).

Zorg ervoor dat er geen metalen voorwerpen in contact kunnen komen met de accupolen wanneer de accu's niet afgedekt zijn.

Bij het plaatsen van de zekering kan er een vonk ontstaan; dat is normaal.

Stop de sleutel in het contactslot en draai deze een kwartslag rechtsom in de stand 'AAN' (1), let erop dat de schakelaar vooruit / achteruit in de stand 'vooruit' staat en dat de snelheid in de stand 'laag' staat (Fig. 4).

Druk het gaspedaal NIET in terwijl de software aan het laden is.

Druk het gaspedaal met de rechervoet in en rijd de machine langzaam van de pallet. Gebruik daarvoor de meegeleverde helling (Fig. 5).

Let erop dat de helling in het midden ligt en rijd de machine recht van de helling af.

Opmerking: De bestuurdersstoel is uitgerust met een druksensor die de machine blokkeert tot er een bediener op de stoel plaatsneemt.

Draai de sleutel terug naar de stand 'UIT' (0) zodra de machine van de pallet is gereden en in een veilige positie is geplaatst (Fig. 6).

Machine Set-Up



Always ensure that the machine is switched off before making any adjustments



Raise / Lower the Floor-tool



To lower the floor-tool move the floor-tool lever into the upper position (Fig.7/9).
To raise the floor-tool move the floor-tool lever into the lower position (Fig.8).

Note: *The machine will not operate in reverse with the Floor-tool lowered.*

Note: *The floor-tool lever guide is designed to be reversible and replaceable.*

Fitting the Floor-tool



Lower the floor-tool arm by moving the floor-tool lever to the upper position (See above).
Loosen the retaining knobs on the floor-tool and slide onto the holding bracket (Fig.10).
Tighten the retaining knobs to finger tight. (Fig.11).
Push waste collection pipe onto the floor-tool; ensure a tight fit (Fig.12).

Note: *Raise floor-tool again before driving to the cleaning area (See Above).*

Break-away Floor-tool

The floor-tool design incorporates a safety knock-off feature.

Allowing it to safely disengage from its mounting should it become caught on an obstruction during forward movement (Fig.13).

Make sure you do not over tighten the retaining knobs to ensure correct operation.

Einrichten der Maschine



Vor Durchführung irgendwelcher Einstellungen immer darauf achten, dass die Maschine abgeschaltet ist.

Anheben / Senken des Abstreifers

Zum Senken des Abstreifers seinen Bedienhebel nach oben schieben (Abb. 7).

Um den Abstreifer anzuheben, seinen Bedienhebel nach unten stellen (Abb. 8).

Anmerkung: Die Maschine kann bei abgesenktem Abstreifer nicht in Rückwärtsfahrt arbeiten.

Anmerkung: Die Führung des Bedienhebels des Abstreifers ist umkehr- und austauschbar ausgelegt.

Befestigung des Abstreifers

Den Abstreifer-Bedienhebel nach oben schieben, um den Abstreiferarm zu senken (siehe oben).

Die Halteschrauben des Abstreifers lösen und diesen auf den Haltebügel schieben (Abb. 10).

Die Halteschrauben per Hand festziehen (Abb. 11).

Den Absaugschlauchstutzen auf den Abstreifer schieben und sicherstellen, dass er gut sitzt (Abb. 12).

Anmerkung: Den Abstreifer vor der Fahrt zu dem zu reinigenden Bereich erneut anheben (siehe oben).

Abstreifer-Lösungsvorrichtung

Der Abstreifer ist so ausgelegt, dass er sich, wenn die Sicherheit dies erfordert, von der Maschine lösen kann.

Er wird somit, sollte er bei der Vorwärtsfahrt irgendwo hängen bleiben, sicher von der Maschine abgetrennt (Abb. 13).

Diese Funktion kann nur funktionieren, wenn die Halteschrauben nicht zu stark festgedreht sind.

Préparation de la machine



Vérifiez systématiquement que la machine est hors tension avant d'effectuer des réglages.

Relèvement/abaissement du suceur

Pour abaisser le suceur, amenez le levier de suceur sur la position haute (fig. 7).

Pour relever le suceur, amenez le levier de suceur sur la position basse (fig. 8).

Remarque : La machine ne fonctionne pas en marche arrière lorsque le suceur est abaissé.

Remarque : Le guide de levier du suceur est conçu pour être réversible et remplaçable.

Montage du suceur

Abaissez le bras du suceur en amenant le levier de suceur sur la position haute (voir ci-dessus).

Desserrez les boutons de retenue situés sur le suceur, puis glissez-le sur le support de retenue (fig. 10).

Vissez les boutons de retenue à la main. (Fig. 11).

Enfoncez le tuyau de collecte de saletés sur le suceur et assurez-vous qu'il est bien en place (fig. 12).

Remarque : Relevez à nouveau le suceur avant de vous rendre dans la zone à nettoyer (voir ci-dessus).

Fonction de détachement du suceur

Le suceur est doté d'une fonction de délogement de sécurité

qui permet de le dégager de son support en toute sécurité s'il est pris dans un obstacle pendant le mouvement vers l'avant (fig. 13).

Pour assurer un bon fonctionnement, ne serrez pas excessivement les boutons de retenue.

Machine-instellingen



Controleer altijd of de machine is uitgeschakeld voordat u wijzigingen uitvoert.

Vloerelement optillen/neerlaten

Laat het vloerelement zakken door de vloerelementhendel in de bovenste stand te zetten (Fig. 7).

Laat het vloerelement zakken door de vloerelementhendel in de onderste stand te zetten (Fig. 8).

Opmerking: Als het vloerelement is neergelaten kan de machine niet achteruitrijden.

Opmerking: De geleiding voor de vloerelementhendel is omkeerbaar en vervangbaar.

Vloerelement monteren

Laat de arm van het vloerelement zakken door de vloerelementhendel in de bovenste stand te zetten (zie boven).

Maak eerst de bevestigingsknoppen op het vloerelement los en schuif het op de vasthoudbeugel (Fig. 10).

Draai de knoppen daarna weer met de hand vast. (Fig. 11).

Duw de afvalverzamelingslang op het vloerelement en controleer dat deze goed aansluit (Fig. 12).

Opmerking: Zet het vloerelement weer omhoog voor u naar de werkzone rijdt (zie boven).

Vloerelement met ontkoppelfunctie

In het ontwerp van het vloerelement is een ontkoppelfunctie opgenomen.

Hierdoor kan het vloerelement veilig loskomen uit de bevestiging wanneer het vast komt te zitten bij voorwaartse verplaatsing van de machine (Fig. 13).

Om ervoor te zorgen dat het vloerelement goed werkt, mogen de schroefknoppen niet te strak worden aangetrokken.

Machine Set-Up



Always ensure that the machine is switched off before making any adjustments



Raise / Lower the Brush Deck

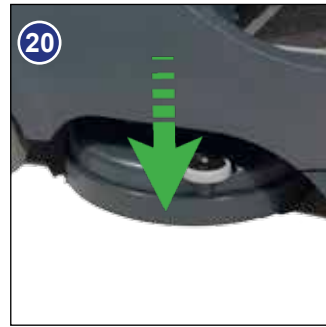


To lower the brush deck slide the brush deck foot pedal forward with your foot (Fig.14) and gently release the foot pedal (Fig.15). The brush deck is now in the lowered position.

To raise the brush deck slowly depress the foot pedal, ensuring it is in the forward position (Fig.16) and slide your foot back to lock the pedal in place (Fig.17).

The brush deck is now in the raised position.

Fitting the Brush



Make sure the brush deck is in the raised position (see above) and place the brush under the brush deck (Fig.18) ensuring it is central to the chuck (Fig.19), then lower the brush deck (see above).

Turn on the machine by inserting the key and turning a quarter-turn clockwise.

Press the brush engage button and the machine will pick up the brush (Fig.21).

Turn off the machine by turning the key a quarter-turn anti clockwise.

To disengage the brush press the brush engage button with the brush deck in the raised position.

Note: Do not lift the brush deck until the brush has stopped revolving or the brush will release. Make sure you raise the brush deck before driving to the cleaning site.



Safety Gloves are recommended for the changing of used Brushes.



Floor-tool Transit Bracket



When in transit, the Floor-tool can be placed on the bracket at the rear of the machine.

Simply slot the retaining knob into the bracket.

Einrichten der Maschine



Vor Durchführung irgendwelcher Einstellungen immer darauf achten, dass die Maschine abgeschaltet ist.

Anheben / Senken des Bürstendecks

Zum Senken des Bürstendecks das Bürstendeckpedal mit dem Fuß nach vorn schieben (Abb. 14) und dann das Pedal langsam freigeben (Abb. 15). Das Bürstendeck befindet sich nun in der abgesenkten Position.

Zum Anheben des Bürstendecks das Pedal langsam nach unten treten und dabei darauf achten, dass es in vorderer Position bleibt (Abb. 16) und es dann mit dem Fuß zurückschieben, um es in hinterer Stellung zu verriegeln (Abb. 17).

Das Bürstendeck befindet sich nun in angehobener Position.

Montieren der Bürste

Sicherstellen, dass das Bürstendeck angehoben ist (siehe oben), und dann die Bürste unter dem Bürstendeck platzieren (Abb. 18). Darauf achten, dass sie zum Spannfutter zentriert ist (Abb. 19), und dann das Bürstendeck senken (siehe oben).

Die Maschine durch Einstecken und Vierteldrehung des Schlüssels im Uhrzeigersinn in Betrieb nehmen.

Die Bürsten-Festspanntaste drücken, wonach die Maschine die Bürste aufnimmt (Abb. 21).

Die Maschine durch eine Vierteldrehung des Schlüssels entgegen dem Uhrzeigersinn abschalten.

Zum Lösen der Bürste bei angehobenem Bürstendeck die Bürsten-Festspanntaste drücken.

Anmerkung:

Das Bürstendeck nicht anheben, solange die Bürste noch dreht, andernfalls wird die Bürste freigegeben.

Nicht vergessen, das Bürstendeck vor der Fahrt zu dem zu reinigenden Bereich anzuheben.

Zum Auswechseln abgenutzter Bürsten wird empfohlen Schutzhandschuhe zu tragen.

Abstreifer-Überführungs-Halbebügel

Bei Überführungen des Geräts kann der Abstreifer auf dem Halbebügel auf der Rückseite der Maschine platziert werden.

Hierzu einfach die Halteschraube in den Bügel schieben.

Préparation de la machine



Vérifiez systématiquement que la machine est hors tension avant d'effectuer des réglages.

Relèvement/abaissement du plateau de brosses

Pour abaisser le plateau de brosses, poussez du pied, vers l'avant, la pédale de plateau de brosses (fig. 14) et libérez doucement la pédale (fig. 15).

Le plateau de brosses est maintenant en position abaissée.

Pour relever le plateau de brosses, appuyez doucement sur la pédale en vous assurant qu'elle est en position avant (fig. 16) et reculez le pied pour verrouiller la pédale à sa position (fig. 17).

Le plateau de brosses est maintenant en position relevée.

Montage de brosse

Assurez-vous que le plateau de brosses est en position relevée (voir ci-dessus) et placez la brosse sous le plateau de brosses (fig. 18)

en vous assurant qu'il est en position centrale par rapport au mandrin (fig. 19), puis abaissez le plateau de brosses (voir ci-dessus).

Mettez la machine en marche en insérant la clé et en la tournant d'un quart de tour vers la droite.

Appuyez sur le bouton d'engagement de brosse pour que la machine engage la brosse (fig. 21).

Arrêtez la machine en tournant la clé d'un quart de tour vers la gauche.

Pour désengager la brosse, appuyez sur le bouton de désengagement de brosse lorsque le plateau de brosses est en position relevée.

Remarque : Ne soulevez pas le plateau de brosses tant que la brosse n'a pas cessé de tourner, sinon la brosse va se libérer.

Assurez-vous de relever le plateau de brosses avant de vous rendre sur site à nettoyer.

Le port de gants de protection est recommandé lorsque vous remplacez les brosses usagées.

Support de transit du suceur

Pendant le transit, le suceur peut être placé sur le support situé à l'arrière de la machine.

Il suffit de faire rentrer le bouton de retenue dans le support.

Machine-instellingen



Controleer altijd of de machine is uitgeschakeld voordat u wijzigingen uitvoert.

Borstelplaat optillen/neerlaten

Schuif het voetpedaal voor de borstelplaat naar voren (Fig. 14) om de borstelplaat neer te laten en laat het voetpedaal langzaam los (Fig. 15).

De borstelplaat bevindt zich nu in de neergelaten positie.

Druk het voetpedaal langzaam in en let erop dat het zich in de voorwaartse stand bevindt (Fig. 16) om de borstelplaat op te tillen en schuif het voetpedaal naar achteren om het te vergrendelen (Fig. 17).

De borstelplaat bevindt zich nu in de opgetilde positie.

Borstel monteren

Controleer of de borstelplaat zich in de opgetilde positie bevindt (zie boven) en breng de borstel onder de borstelplaat aan (Fig. 18).

Let erop dat de bevestigingsklem (Fig. 19) zich precies in het midden bevindt en laat de borstelplaat zakken (zie boven).

Schakel de machine in door de sleutel in het contactslot te stoppen en deze een kwartslag rechtsom te draaien.

Druk de borstelvergrendelknop in en de machine zal de borstel vastzetten (Fig. 21).

Schakel de machine uit door de sleutel in een kwartslag linksom te draaien.

Druk om de borstel los te maken op de borstelvergrendelknop terwijl de borstelplaat in de opgetilde stand staat.

Opmerking: Til de borstelplaat pas omhoog als de borstel gestopt is - anders zal de borstel loskomen.

Til de borstelplaat omhoog voordat u naar de werkzone rijdt.

Draag veiligheidshandschoenen bij het vervangen van gebruikte borstels.

Transportbeugel vloerelement

Tijdens transport kan het vloerelement op de beugel aan de achterkant van de machine worden aangebracht.

Breng de bevestigingsknop in de beugel aan.

Machine Set-Up



Always ensure that the machine is switched off before making any adjustments



Filling the Clean-water Tank

The CRO 8055 is equipped with a large capacity 80 litre clean water tank, allowing for large areas to be covered in a single fill.



To fill the clean water tank extend the Flexifill hose, remove the rubber seal and fill from a suitable water outlet (Fig.22). Replace seal and hose to original position when finished.

Alternatively unscrew the filler cap completely (Fig.23) and fill the tank using a hose or preferred method (Fig.24).

Note: Great care must be taken to ensure that contaminants (leaves, hair, dirt, etc.) are not allowed to enter the clean-water tank during the filling process. If using a bucket or similar, ensure it is always clean and free from debris.

Fill Level Indicator



When filling the clean water tank, do not fill above the clean water tank emptying hose retaining clip (Fig.25). This can be found at the rear of the machine.



If you need to access the batteries, make sure that the waste-water tank is empty before lifting.



Einrichten der Maschine



Vor Durchführung irgendwelcher Einstellungen immer darauf achten, dass die Maschine abgeschaltet ist.

Füllen des Frischwassertanks

Die CRO 8055 ist mit einem großen, 80 Liter fassenden Frischwassertank ausgestattet, der die Bearbeitung großer Flächen mit einer einzigen Füllung erlaubt.

Zum Füllen des Frischwassertanks den Flexifill-Schlauch ausziehen, den dichtenden Gummiknopf abnehmen und über eine geeignete Wasserversorgungsstelle füllen (Abb. 22). Danach den Gummi-Dichtknopf und den Schlauch wieder in ihre Ausgangsposition bringen.

Es ist auch möglich den Einfüllverschluss vollständig abzuschrauben (Abb. 23) und den Tank direkt mit einem Schlauch oder ähnlichem zu befüllen (Abb. 24).

Anmerkung: Beim Füllen muss unbedingt darauf geachtet werden, dass keine Fremdkörper (Blätter, Haare, Schmutz usw.) in den Frischwassertank geraten. Wenn Sie einen Eimer oder ein ähnliches Gefäß verwenden, achten Sie darauf, dass dieser stets sauber und frei von Verschmutzungen ist.

Füllstandsanzeige

Voll

Den Frischwassertank nur bis zur Höhe der Halteklammer des Frischwassertank-Ablassschlauchs füllen (Abb. 25). Diese befindet sich auf der Rückseite der Maschine.

Zum Zugang zum Akku vor dem Anheben des Schmutzwassertanks sicherstellen, dass dieser leer ist.

Préparation de la machine



Vérifiez systématiquement que la machine est hors tension avant d'effectuer des réglages.

Remplissage du réservoir d'eau propre

La CRO 8055 est équipée d'un réservoir d'eau propre d'une grande capacité de 80 litres permettant de traiter de grandes surfaces avec un seul remplissage.

Pour remplir le réservoir d'eau propre, déployez le tuyau Flexifill, retirez le joint en caoutchouc et remplissez en utilisant une arrivée d'eau adaptée (fig. 22). Remettez le joint et le tuyau à leur position initiale lorsque vous avez terminé.

Vous pouvez aussi dévisser complètement le bouchon de remplissage (fig. 23) et remplir le réservoir à l'aide d'un tuyau ou selon votre méthode préférée (fig. 24).

Remarque : Veillez particulièrement à ce qu'aucun contaminant (feuilles, cheveux, poussière, etc.) ne pénètre dans le réservoir d'eau propre lors du processus de remplissage. Si vous utilisez un seau ou un récipient similaire, veillez à ce qu'il soit toujours parfaitement propre et qu'il ne contienne pas de débris.

Indicateur du niveau de remplissage

Plein

Lors du remplissage du réservoir d'eau propre, ne dépassez pas le niveau du collier de maintien du tuyau de vidange de ce réservoir (fig. 25). Il se trouve à l'arrière de la machine.

Si vous avez besoin d'accéder aux batteries, assurez-vous que le réservoir d'eau sale est vide avant de le soulever.

Machine-instellingen



Controleer altijd of de machine is uitgeschakeld voordat u wijzigingen uitvoert.

Schoonwatertank vullen

De CRO 8055 is uitgerust met een grote schoonwatertank (80 liter) waardoor grote oppervlakken in één keer kunnen worden behandeld.

Trek, als u de schoonwatertank wilt vullen, de Flexifill-slang uit, verwijder de rubberen afdichting en vul de tank met schoon water (Fig. 22). Breng de afdichting en de slang na het vullen weer op hun oorspronkelijke plek aan.

Een andere mogelijkheid is om de vuldop los te schroeven (Fig. 23) en de tank met een slang of op een andere manier die u verkiest te vullen (Fig. 24).

Opmerking: Let goed op dat er tijdens het vullen geen vuil (bladeren, haar, stof, enz..) in de schoonwatertank terecht komt. Als u een emmer of dergelijke gebruikt, zorg er dan voor dat deze helemaal schoon en leeg is.

Aanduiding vulniveau

Vol

Vul de schoonwatertank maximaal tot het niveau van de klem voor de afvoerslang (Fig. 25) die zich aan de achterzijde van de machine bevindt. Als u toegang tot de accu's moet hebben, zorg er dan voor dat de afvalwatertank leeg is voordat u deze optilt.

Machine Operation



IMPORTANT
Do not operate machine unless the operator manual has been read and fully understood.



The machine is now ready to be driven to the cleaning site (see the quick set-up guide if necessary). Before performing the cleaning operation, place out appropriate warning signs and sweep or dust-mop the floor.

When you have arrived at the cleaning site, lower the Floor-tool (see page 8) and the brush deck (see page 9).

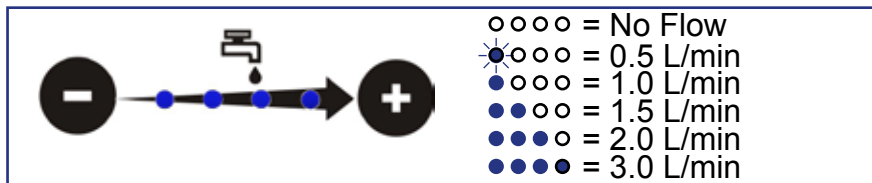
Setting the Cleaning Controls



Insert the key into the on / off switch and quarter-turn it clockwise to the 'ON' (1) position (Fig.26).

The battery charge-level indicator will illuminate (Fig.27).

Set the water flow rate as required, depending on floor type and level of soiling.



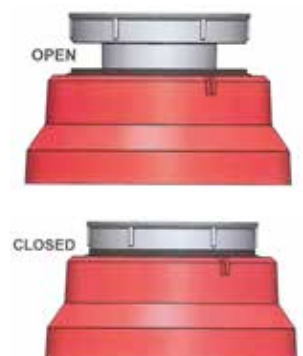
Waste-water Tank Full



The vac shut off system fitted to your machine stops the airflow when the top tank is full!

It does not shut the power off to the vac motor, the vac motor will continue to run, but there is an audible difference in the sound when the shut off system operates.

See Page 16 for more details on checking and cleaning the shut off system.



Always ensure that the floor is pre-swept and relevant safety signs are displayed.



Bedienung der Maschine



Wichtig

Die Maschine erst betreiben, nachdem die Bedienungsanleitung durchgelesen und vollständig verstanden wurde.

Die Maschine kann nun zu dem zu reinigenden Bereich gefahren werden (gegebenenfalls in der Schnellanleitung nachsehen). Vor Ausführung der Reinigungsmaßnahmen geeignete Warnschilder aufstellen und den Fußboden nass oder trocken wischen.

Nach Eintreffen an dem zu reinigenden Bereich den Abstreifer (siehe Seite 8) und das Bürstendeck (siehe Seite 9) absenken.

Einstellen der Reinigungssteuerung

Den Schlüssel in den Ein-/Ausschalter stecken und durch eine Vierteldrehung im Uhrzeigersinn in die Einschaltposition (1) bringen (Abb. 26). Die Akkuladestandsanzeige schaltet ein (Abb. 27).

Die Wasserdurchflussmenge auf den dem Fußbodentyp und Verschmutzungsgrad entsprechenden Wert einstellen.

Kein Durchfluss

Das Absaugabschaltssystem der Maschine stoppt den Luftstrom bei gefülltem oberen Tank! Es schaltet nicht den Saugmotor ab. Dieser läuft weiter, jedoch ändert sich das Geräusch beim Betrieb des Abschaltsystems. Siehe Seite 16 für weitere Einzelheiten zur Prüfung und Reinigung des Abschaltsystems.

Immer sicherstellen, dass der Boden vorgewischt wurde und nötige Sicherheitschilder aufgestellt sind.

Fonctionnement de la machine



Important

N'utilisez pas la machine avant d'avoir lu et bien compris le mode d'emploi.

La machine peut maintenant être conduite sur le site de nettoyage (voir le guide d'installation rapide si nécessaire). Avant d'effectuer l'opération de nettoyage, placez des panneaux d'avertissement appropriés et balayez ou dépoussiérez le sol.

Lorsque vous êtes arrivé sur le site de nettoyage, abaissez le suceur (voir page 8) et le plateau de brosses (voir page 9).

Réglage des commandes de nettoyage

Insérez la clé dans le commutateur marche/arrêt et tournez-la d'un quart de tour vers la droite sur la position « ON » (fig. 26).

L'indicateur de niveau de charges de batteries s'allume (fig. 27).

Réglez le débit d'eau souhaité, selon le type de sol et le degré de salissure.

Pas de débit

Le système de coupure d'aspiration de la machine arrête le débit d'air lorsque le réservoir supérieur est plein ! Il ne met pas le moteur d'aspiration hors tension, ce moteur continue de fonctionner, mais le bruit n'est pas du tout le même lorsque le système de coupure fonctionne. La page 16 donne davantage de détails sur la vérification et le nettoyage du système de coupure.

Assurez-vous toujours que le sol a été préalablement balayé et qu'une signalisation de sécurité adéquate a été mise en place.

Bediening machine



Belangrijk

Gebruik de machine uitsluitend wanneer u de gebruikershandleiding volledig hebt gelezen en begrepen.

De machine kan nu naar de werkzone worden gereden (zie de Snelstartgids, indien nodig). Plaats voor u met de machine aan de slag gaat overeenkomstige waarschuwborden en veeg de vloer vooraf eerst schoon.

Laat als u in de werkzone bent aangekomen het vloerelement (zie pag. 8) en de borstelplaat (zie pag. 9) zakken.

De schoonmaakfuncties instellen

Stop de sleutel in de aan/uit-schakelaar en draai deze een kwartslag rechtsom in de stand 'AAN' (1) (Fig. 26).

De indicator voor het laadniveau zal oplichten (Fig. 27).

Stel het waterdebiet in afhankelijk van het vloertype en de vervuilingsgraad.

Geen stroming

Het zuigerafsluitsysteem van uw machine blokkeert de toevoer van lucht als de bovenste tank vol is. De stroomvoorziening naar de zuigmotor wordt niet onderbroken en de motor zal blijven lopen, maar het geluid zal merkbaar veranderen als het afsluitsysteem in werking treedt. Zie pag. 16 voor meer informatie over het controleren en reinigen van het afsluitsysteem.

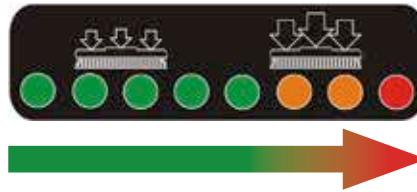
Zorg er steeds voor dat de vloer vooraf wordt geveegd en dat de nodige waarschuwborden worden geplaatst.

Machine Operation

Brush Pressure



The machine is equipped with a brush-pressure load warning system (Fig.28). As the load on the Brush increases the LEDs on the Load Indicator will illuminate from left to right.



Note: The run-time of the machine may decrease if the load on the brushes is increased

Emergency Stop Button and Horn

The CRO 8055 is equipped with an electronic braking system. Simply lift your foot from the accelerator and the machine will stop. In an emergency, strike the emergency-stop button and the machine will be disabled. To reset, turn emergency stop button clockwise (Fig.29). After resetting the emergency stop button, to restart the machine, turn the ignition key to the 'Off' then the 'On' position again.



The horn is located on the right-hand side of the operator control panel (Fig.30).

Anti-tip System



Care must be taken to reduce speed when cornering or manoeuvring



The CRO 8055 is equipped with an Anti-tip system. If the operator attempts to turn a corner when the machine is going at speed, the machine will automatically slow down preventing the machine from tipping over. Additionally the buffers at the front of the machine are designed to prevent the machine tipping in the event of the operator turning sharply (Fig.31).

The buffers are designed to be replaceable when worn.



Bedienung der Maschine



Bürstendruck

Die Maschine ist mit einem Lastwarnsystem für den Bürstendruck ausgestattet (Abb. 28). Bei ansteigender Bürstenlast schalten die LEDs auf der Lastanzeige von links nach rechts ein.

Anmerkung: Eine erhöhte Bürstenlast kann die Laufzeit der Maschine beeinträchtigen.

Notaus-Piltaster und Hupe

Die CRO 8055 ist mit einem elektronischen Bremssystem ausgerüstet.

Einfach den Fuß vom Fahrpedal nehmen, wonach die Maschine anhält.

Im Notfall auf den Notaus-Piltaster schlagen, was die Maschine außer Betrieb setzt.

Den Notaus-Piltaster zum Zurücksetzen im Uhrzeigersinn drehen (Abb. 29).

Nach Zurücksetzung des Notaus-Piltasters zur erneuten Inbetriebnahme der Maschine den Schaltschlüssel zunächst in die ausgeschaltete und dann wieder in die eingeschaltete Position stellen.

Die Hupe befindet sich auf der rechten Seite des Bedienfelds (Abb. 30).

Kippschutzsystem

Beim Befahren von Kurven und Ausweichen von Hindernissen immer sorgsam und mit reduzierter Geschwindigkeit vorgehen.

Die CRO 8055 ist mit einem Kippschutzsystem ausgestattet. Beim Versuch eine Kurve schnell zu durchfahren verlangsamt die Maschine automatisch ihre Fahrt und wird hierdurch gegen Umkippen geschützt.

Zusätzliche Kippschutzgleiter vorn an der Maschine sollen ein Umkippen bei starkem Lenkeinschlag vermeiden (Abb. 31).

Abgenutzte Kippschutzgleiter können ersetzt werden.

Fonctionnement de la machine



Pression de la brosse

La machine est équipée d'un système d'avertissement de charge de pression des brosses (fig. 28). À mesure que la charge sur la brosse augmente, les DEL de l'indicateur de charge s'allument de gauche à droite.

Remarque : Le temps de fonctionnement de la machine peut diminuer si la charge sur les brosses est augmentée.

Bouton d'arrêt d'urgence et klaxon

La CRO 8055 est équipée d'un système de freinage électronique.

Il suffit de lever le pied de l'accélérateur pour que la machine s'arrête.

En cas d'urgence, appuyez sur le bouton d'arrêt d'urgence pour désactiver la machine.

Pour réinitialiser le bouton d'arrêt d'urgence, tournez-le vers la droite (fig. 29).

Après une réinitialisation du bouton d'arrêt d'urgence, pour redémarrer la machine, tournez la clé de contact sur la position d'arrêt « Off », puis à nouveau sur la position « On ».

Le klaxon est situé sur le côté droit du tableau de bord de l'opérateur (fig. 30).

Système antibasculement

Veillez à ralentir dans les virages ou lorsque vous faites des manœuvres.

La CRO 8055 est équipée d'un système antibasculement. Si l'opérateur tente de prendre un virage lorsque la machine roule vite, la machine va ralentir automatiquement pour éviter le basculement.

De plus, les tampons situés à l'avant de la machine sont conçus pour empêcher la machine de basculer si l'opérateur cherche à prendre un virage trop serré (fig. 31).

Les tampons sont conçus pour pouvoir être remplacés lorsqu'ils sont usés.

Bediening machine



Borsteldruk

De machine is uitgerust met een waarschuwingssysteem voor de borsteldruk (Fig. 28). Naarmate er meer druk op de borstel wordt uitgeoefend, zullen de LED's op de indicator van links naar rechts oplichten.

Opmerking: De looptijd van de machine kan afnemen als de belasting op de borstels toeneemt.

Noodstopknop en claxon

De CRO 8055 is uitgerust met een elektronisch remsysteem.

Als u uw voet van het gaspedaal neemt, zal de machine stoppen.

In noodgevallen drukt u op de noodstopknop, waarna de machine zal stoppen.

Om de noodstopknop te resetten, draait u deze naar rechts (Fig. 29).

Nadat u de noodstopknop heeft gereset, zet u de contactsleutel in de stand 'Uit' en daarna in de stand 'Aan' om de machine opnieuw te starten.

De claxon bevindt zich aan de rechterkant van het bedieningspaneel (Fig. 30).

Antikantelsysteem

Let erop dat u snelheid terugneemt bij het nemen van bochten en bij het manoeuvreren.

De CRO 8055 is uitgerust met een antikantelsysteem. Als de bediener probeert snel een bocht te nemen, zal de machine automatisch snelheid terugnemen om kantelen te voorkomen.

Daarnaast zijn er blokken aan de voorzijde voorzien die voorkomen dat de machine kantelt als een bediener scherpe bochten neemt (Fig. 31).

De blokken dienen te worden vervangen als ze versleten zijn.

Machine Operation

Machine in Use



To operate, select forward, press the accelerator pedal.

Vacuum pick-up and water-flow will turn on if selected and the brush and floor tool are in the lowered position, the machine will move forward.

Clean water is dispersed evenly via 'THRU- FEED' scrubbing brushes.

The waste water is then retrieved by the suction floor-tool (Fig.32).
Overlap each scrubbing path by 10cm to ensure an even clean.

After stopping the Vac motor will run for a further 10 seconds to collect any water left in the vacuum hose.



Do not operate the machine on inclines that exceed 11%.



If streaking occurs wipe floor-tool blades clean (Fig.33).
On heavily soiled floors use a 'double scrub' technique.
First pre-scrub the floor with the floor-tool in the raised position, allow the chemicals time to work then scrub the area a second time with the floor-tool lowered (Fig.34).



Maximum Speed Control



Use the maximum speed control knob and set desired traction speed as required, depending on floor type and level of soiling (Fig.35).

Keep speed setting within the white gradient on the dial for optimum floor cleaning.

The grey gradient on the dial is for setting the transit speed.

Cleaning



Transit

Once the Max speed has been set using the control knob on the control panel, fine adjustments can be made using the variable control speed pedal located on the right side of the footplate.

Betrieb der Maschine



Maschine im Einsatz.

Zum Betreiben die Vorwärtsrichtung wählen und das Fahrpedal treten.

Das Saugsystem und der Wasserfluss werden, falls gewählt, eingeschaltet, Bürste und Abstreifer befinden sich in gesenkter Position und die Maschine bewegt sich vorwärts.

Frischwasser wird durch "THRU- FEED"-Scheuerbürsten gleichmäßig verteilt.

Das Schmutzwasser wird dann vom absaugenden Abstreifer aufgenommen (Abb. 32).

Zur gleichmäßigen Reinigung sind die Scheuerpfade jeweils um 10 cm zu überlappen.

Nach Abschalten läuft der Saugmotor weitere 10 Sekunden, um jegliches Wasser aus dem Saugschlauch zu entfernen.

Die Maschine nicht auf Böden betreiben, die ein Gefälle von über 11% aufweisen.

Bei Streifenbildung sind die Abstreiferblätter sauber zu wischen (Abb. 33).

Bei stark verschmutzten Fußböden eine „Doppelscheuertechnik“ anwenden.

Den Boden zunächst mit angehobenem Abstreifer vorscheuern, die Chemikalien einwirken lassen und dann ein zweites Mal mit abgesenktem Abstreifer scheuern (Abb. 34).

Höchstgeschwindigkeitsbegrenzung

Mit dem Knopf der Höchstgeschwindigkeitsbegrenzung die für Bodentyp und Verschmutzungsgrad geeignete

Fahrtgeschwindigkeit einstellen (Abb. 35).

Für optimale Bodenreinigung sollte die Geschwindigkeitseinstellung innerhalb des weiß gekennzeichneten Bereichs der Skala gelassen werden.

Der graue Bereich ist für Fahrtgeschwindigkeiten bei Überführungen bestimmt.

Reinigung

Überführung

Nach Einstellung der Höchstgeschwindigkeit am Knopf des Bedienfelds ist eine feinere Geschwindigkeitskontrolle mittels des Pedals rechts auf der Grundplatte möglich.

Fonctionnement de la machine



Utilisation de la machine

Pour utiliser la machine, sélectionnez la marche avant et appuyez sur la pédale d'accélérateur.

La prise d'aspiration et le débit d'eau s'activent s'ils sont sélectionnés, la brosse et le suceur sont en position abaissée, et la machine se déplace en marche avant.

L'eau propre est dispersée uniformément à travers les brosses de lavage équipées du système « EN CONTINU ».

L'eau sale est ensuite récupérée par le suceur (fig. 32).

Pour obtenir un nettoyage homogène, les chemins de lavage doivent se chevaucher de 10 cm.

Après l'arrêt, le moteur d'aspiration continue de fonctionner pendant encore 10 secondes pour récupérer l'eau qui se trouve dans le tuyau d'aspiration.

Ne faites pas fonctionner la machine sur des pentes supérieures à 11 %.

Si des stries apparaissent, essuyez les lamelles du suceur (fig. 33).

Sur des sols très sales, utilisez la technique du « double lavage ».

Prélevez d'abord le sol avec le suceur en position relevée, laissez le temps aux produits chimiques d'agir, puis lavez la zone une seconde fois avec le suceur abaissé (fig. 34).

Commande de la vitesse maximale

Utilisez la molette de commande de vitesse maximale et réglez la vitesse de traction souhaitée, selon le type de sol et le degré de salissure (fig. 35).

Gardez le réglage de la vitesse sur la zone blanche du cadran pour un nettoyage optimal du sol.

La zone grise du cadran sert à régler la vitesse de transit.

Nettoyage

Transit

Une fois la vitesse maximale réglée au moyen du bouton de commande du panneau de bord, il est possible d'effectuer des réglages précis en utilisant la pédale de vitesse à commande variable située sur le côté droit du plancher.

Bediening machine



Machine in gebruik

Kies de voorwaartse stand en druk het gaspedaal in om de machine voort te bewegen.

Indien geselecteerd zullen de zuigfunctie en watertoevoer worden ingeschakeld en als de borstelplaat en het vloerelement zijn neergelaten zal de machine vooruitrijden.

De 'THRU-FEED'-schrobborstels verdelen het schone water gelijkmatig.

Het vuile water wordt daarna opgezogen door het vloerelement (Fig. 32).

Zorg bij elke schrobbaan voor een overlapping van 10cm zodat een gelijkmatig schoonmaakresultaat is gegarandeerd.

Als de machine wordt uitgeschakeld, zal de zuigmotor nog 10 seconden blijven draaien om eventueel in de slang aanwezig water op te zuigen.

Gebruik de machine niet op hellingen die steiler zijn dan 11%.

Als er strepen verschijnen, moet u de wissers van het vloerelement schoonmaken (Fig. 33).

Gebruik op heel vuile vloeren de 'dubbele-schrobtechniek'.

Schrob de vloer een eerste keer met het vloerelement omhoog, laat het schoonmaakproduct inwerken en schrob het oppervlak daarna een tweede keer met het vloerelement omlaag (Fig. 34).

Instelling maximumsnelheid

Stel met behulp van de instelknop voor de maximumsnelheid de gewenste tractiesnelheid in naar gelang het vloertype en de vervuilingsgraad (Fig. 35).

Zorg ervoor dat de snelheid binnen het witte gedeelte van de schaalverdeling blijft voor optimale reiniging.

Het grijze gedeelte van de schaalverdeling is bestemd voor het instellen van de rijsnelheid tijdens het verplaatsen.

Reiniging

Verplaatsen

Zodra de maximumsnelheid is ingesteld met de knop op het bedieningspaneel, kunnen fijnere afstellingen worden doorgevoerd via het pedaal op de rechter zijde van de voetplaat.

Machine Operation

Hose U-bend Clip

The vacuum hose has a U-bend clip which creates a U-bend in the hose preventing water spillage when the vacuum is switched off. If you need to remove the U-bend clip for any reason always ensure it is refitted correctly before you resume operation (Fig 36-39).



Refit vacuum hose to the Floor-tool when finished.

Note: DO NOT push the vacuum hose onto the Floor-tool with the Floor-tool in the raised position.

Off-Aisle Cleaning Kit (Optional Extra Accessory) 606182



The optional off-aisle cleaning kit gives added flexibility to the operator. The kit can be used to clean hard to reach / inaccessible areas (Fig 40).

Remove the Vacuum hose from the Floor-tool and attach to the Off-aisle kit.

To operate the vacuum, press the Off-aisle vacuum button on the control panel.

Pressing the Off-aisle Button again will switch the vacuum off (Fig 41).

Note: Return the hose to the floor-tool once finished using the off-aisle facility.



Bedienung der Maschine



U-Bogen-Klemme für Schlauch

Der Saugschlauch verfügt über eine U-Bogen-Klemme, mit welcher er so gebogen werden kann, dass bei abgeschaltetem Saugsystem kein Wasser austritt. Muss diese U-Bogen-Klemme aus irgendeinem Grund entfernt werden, so ist sie vor Wiederaufnahme des Betriebs unbedingt wieder richtig anzubringen (Abb. 36-39).

max. 30 mm

Nach Abschluss der Arbeiten den Saugschlauch wieder am Abstreifer anbringen.

Anmerkung: Den Saugschlauch NICHT an dem in angehobener Position befindlichen Abstreifer anschließen.

Externes Reinigungskit (Extra-Zubehöroption) 606182

Das als Option verfügbare externe Reinigungskit verschafft dem Bediener zusätzliche Flexibilität.

Das Kit kann für schwer oder nicht zugängliche Bereiche (Abb. 40) verwendet werden.

Den Saugschlauch vom Abstreifer entfernen und am externen Reinigungskit anschließen.

Zur Einschaltung des Saugsystems die Taste für externe Saugvorrichtung auf dem Bedienfeld drücken.

Durch erneutes Drücken dieses Schalters wird das Saugsystem wieder ausgeschaltet (Abb. 41).

Nach Abschluss der Arbeiten mit dem externen Reinigungskit ist der Schlauch wieder am Abstreifer anzuschließen.

Fonctionnement de la machine



Collier de repli du tuyau

Le tuyau d'aspiration possède un collier de repli, qui crée un repli en U dans le tuyau pour empêcher l'eau de se déverser lorsque l'on coupe l'aspiration. Si vous devez retirer le collier de repli en U pour une raison quelconque, assurez-vous de toujours le remettre en place correctement avant de remettre la machine en fonctionnement (fig. 36 à 39).

30 mm MAX

Rebranchez le tuyau d'aspiration sur le suceur lorsque vous avez terminé.

Remarque : NE PUSSEZ PAS le tuyau d'aspiration contre le suceur lorsque celui-ci est en position relevée.

Kit de nettoyage hors-allée (accessoire en option, pièce 606182)

Le kit optionnel de nettoyage hors-allée donne une plus grande souplesse à l'opérateur.

Le kit peut être utilisé pour nettoyer les zones difficiles à atteindre ou inaccessibles (fig. 40).

Débranchez le tuyau d'aspiration du suceur et fixez-le sur le kit hors-allée.

Pour actionner l'aspiration, appuyez sur le bouton d'aspiration hors-allée du panneau de commande.

Lorsque l'on appuie une nouvelle fois sur le bouton hors-allée, l'aspiration s'arrête (fig. 41).

Rebranchez le tuyau d'aspiration sur le suceur une fois que vous avez fini d'utiliser le dispositif hors-allée.

Bediening machine



U-vormige slangklem

Bij de zuigslang is een U-vormige slangklem meegeleverd, waarmee een bocht in de slang kan worden aangebracht, zodat er geen water uit kan lekken als de machine is uitgeschakeld. Als de U-vormige slangklem moet worden verwijderd, dient deze weer correct te worden teruggeplaatst voordat de machine weer wordt gebruikt (Fig. 36-39).

MAX 30mm

Breng de zuigslang weer op het vloerelement aan.

Opmerking: Duw de zuigslang NIET op het vloerelement als het vloerelement zich in de opgeheven positie bevindt.

Schoonmaakkit voor extern werk (Optionele extra accessoire) 606182

De optionele externe schoonmaakkit biedt de gebruiker nog meer flexibiliteit.

De kit kan worden gebruikt om moeilijk te bereiken / moeilijk toegankelijke plekken schoon te maken (Fig. 40).

Verwijder de zuigslang van het vloerelement en bevestig deze op de externe kit.

Druk op de knop voor de externe kit op het bedieningspaneel om de stofzuiger in te schakelen.

Door nogmaals op de knop voor de externe kit om de stofzuiger uit te schakelen (Fig. 41).

Breng de slang weer op het vloerelement aan wanneer u klaar bent met de externe kit.

Machine Cleaning



Always ensure that the machine is switched off prior to any maintenance.



After use, empty waste-water tank using emptying hose and flush-out with clean water. **A**

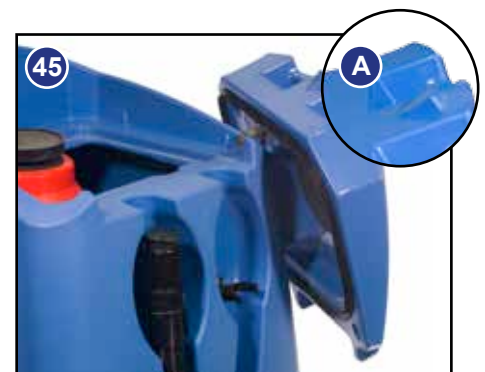
Next remove floor-tool vacuum hose ensuring you remove the U-bend clip and flush out with clean water. **B**

Next empty clean water tank, using emptying hose and again flush out with clean water. **C**



Before removing the separator, first pull off the connected hose (Fig.42). Remove the separator and rinse using clean water (Fig.43). The separator also has a sealing-rubber which should be examined at every clean-down (Fig.44).

Note: The separator can be hung from either side of the top tank while you maintain the machine using the clip on the front of the lid.(Fig.45).



When refitting the separator make sure you engage the tab (A) at the front of the separator BEFORE pushing the separator down.

Refit the vacuum hose.

Reinigung der Maschine



Vor jeglichen Wartungsmaßnahmen immer sicherstellen, dass die Maschine abgeschaltet ist.

Nach dem Einsatz der Maschine den Schmutzwassertank über den Ablassschlauch entleeren und mit Frischwasser ausspülen. (A)

Dann den Saugschlauch vom Abstreifer entfernen, auch die U-Bogen-Klemme abnehmen, und den Schlauch mit Frischwasser ausspülen. (B)

Dann den Frischwassertank mit dem Ablassschlauch leeren und ihn ebenfalls mit Frischwasser ausspülen. (C)

Vor Abnahme des Abscheiders zunächst den angeschlossenen Schlauch abziehen (Abb. 42).

Den Abscheider wegnehmen und mit Frischwasser ausspülen (Abb. 43).

Am Abscheider befindet sich auch eine Gummidichtung, die bei jeder Reinigung geprüft werden sollte (Abb. 44).

Anmerkung: Der Abscheider kann bei der Wartung der Maschine auf jeder Seite des oberen Tanks mittels des vorn am Deckel befindlichen Klipps aufgehängt werden (Abb. 45).

Beim Wiederanbringen des Abscheiders darauf achten, den Ansatz (A) auf der Abscheidervorderseite VOR dem Herabdrücken des Abscheiders einzuführen.

Den Saugschlauch wieder anbringen.

Nettoyage de la machine



Vérifiez systématiquement que la machine est hors tension avant toute maintenance.

Après utilisation, videz le réservoir d'eau sale en utilisant le tuyau de vidange et rincez-le à l'eau claire. (A)

Retirez ensuite le tuyau d'aspiration du suceur, sans oublier de retirer également le collier de repli, et rincez le tuyau à l'eau claire. (B)

Videz ensuite le réservoir d'eau propre en utilisant le tuyau de vidange et rincez-le aussi à l'eau claire. (C)

Avant de retirer le séparateur, retirez d'abord le tuyau branché (fig. 42).

Retirez le séparateur et rincez-le à l'eau claire (fig. 43).

Le séparateur possède aussi un joint en caoutchouc qui doit être examiné à chaque nettoyage (fig. 44).

Remarque : Vous pouvez suspendre le séparateur d'un côté ou de l'autre du réservoir supérieur tout en maintenant la machine avec l'attache située sur le devant du couvercle (fig. 45).

Quand vous remettez en place le séparateur, veillez à bien engager la languette (A) à l'avant du séparateur AVANT d'appuyer sur le séparateur pour l'abaisser.

Remettez en place le tuyau d'aspiration.

Machine schoonmaken



Zorg er altijd voor dat de machine uit staat voordat u onderhoudswerkzaamheden gaat uitvoeren.

Maak na gebruik de vuilwatertank leeg met de afvoerslang en spoel de tank met schoon water. (A)

Verwijder vervolgens de zuigslang van het vloerelement en de U-vormige klem en spoel de zuigslang uit met schoon water. (B)

Maak daarna de schoonwatertank leeg met de afvoerslang en spoel ook die uit met schoon water. (C)

Trek voor het verwijderen van de scheider eerst de erop aangesloten slang eraf (Fig. 42).

Verwijder de scheider en spoel deze met schoon water uit (Fig. 43).

De scheider heeft ook een afdichtrubber dat bij iedere schoonmaakbeurt moet worden gecontroleerd (Fig. 44).

Opmerking: De scheider kan met de clip aan beide zijden van de the bovenste tank worden opgehangen terwijl er onderhoud aan de machine wordt uitgevoerd (Fig.45).

Let er bij het terugplaatsen van de scheider op dat de klem (A) aan de voorzijde is aangebracht VOORDAT u de scheider naar beneden duwt.

Breng de zuigslang weer aan.

Machine Cleaning



Always ensure that the machine is switched off prior to any maintenance.



Located in your waste water (top) tank is a vacuum shut off system, this prevents suction when the waste water tank is full. It also prevents foam created by high-foaming detergents from entering the motor. Sometimes the float vents get clogged and blocked, clean to ensure correct operation (Fig.46-47) regularly check and clean the air filter in the top of the assembly.

Remove debris basket filter and rinse using clean water, and refit (Fig 48).

IMPORTANT: If the debris basket is allowed to become clogged, vacuum performance can deteriorate.



The clean-water tank filter is located to the front of the battery compartment, and should be checked at regular intervals (Fig.49).

Lift the filter off of the cradle, unscrew the bottom and remove (Fig.50). taking care not to spill any liquid on to the batteries. Rinse using clean water and refit (Fig 51).

Re-assemble the filter and refit into the filter cradle.

Note: Any Spills should be wiped up before tank is lowered.

Reinigen der Maschine



Vor jeglichen Wartungsmaßnahmen immer sicherstellen, dass die Maschine abgeschaltet ist.

Im (oberen) Schmutzwassertank befindet sich ein Ansaugabschaltssystem, welches bei vollem Schmutzwassertank weiteres Absaugen verhindert. Es verhindert auch das Eindringen des von stark schäumenden Reinigungsmitteln erzeugten Schaums in den Motor. Gelegentlich verstopfen und blockieren die Schwimmerlüftungen und müssen zur Wiederherstellung des korrekten Betriebs gereinigt werden (Abb. 46-47). Der Luftfilter im oberen Teil der Baugruppe muss regelmäßig geprüft und gereinigt werden.

Den Filter des Schmutzkorb herausnehmen, mit Frischwasser reinigen und wieder einsetzen (Abb. 48).

WICHTIG: Verstopft der Schmutzkorb, so kann sich die Saugleistung verschlechtern.

Der Filter des Frischwassertanks befindet sich vor dem Akkufach und muss regelmäßig überprüft werden (Abb. 49).

Den Filter aus seiner Aufnahme nehmen, vom Boden losschrauben und wegnehmen (Abb. 50). Dabei darauf achten keine Flüssigkeiten auf den Akku tropfen zu lassen. Mit Frischwasser spülen und wieder einsetzen (Abb. 51).

Den Filter wieder zusammenbauen und in seine Aufnahme setzen.

Anmerkung: Jegliche verschüttete Flüssigkeiten sind vor dem Absenken des Tanks wegzuwischen.

Nettoyage de la machine



Vérifiez systématiquement que la machine est hors tension avant toute maintenance.

Le réservoir d'eau sale (réservoir supérieur) contient un système de coupure d'aspiration, qui coupe l'aspiration lorsque le réservoir d'eau sale est plein. Ce système empêche également la mousse produite par les détergents à fort pouvoir moussant d'entrer dans le moteur. Parfois, les événements de flotteur se bouchent et se bloquent, aussi faut-il les nettoyer pour assurer un fonctionnement correct (fig. 46 et 47). Vérifiez et nettoyez régulièrement le filtre à air situé sur la partie supérieure de l'ensemble.

Retirez le panier-filtre à débris et rincez-le à l'eau claire, puis réinstallez-le (fig. 48).

IMPORTANT : Si vous laissez le panier à débris s'encrasser, les performances d'aspiration peuvent se détériorer.

Le filtre du réservoir d'eau propre est situé à l'avant du compartiment des batteries et doit être vérifié à intervalles réguliers (fig. 49).

Soulevez le filtre de son logement, dévissez la base et retirez-la (fig. 50) en veillant à ne pas projeter de liquide sur les batteries. Rincez-le à l'eau claire, puis réinstallez-le (fig. 51).

Remontez le filtre et remettez-le en place dans le logement de filtre.

Remarque : Tout déversement doit être essuyé avant que le réservoir ne soit abaissé.

Machine schoonmaken



Zorg er altijd voor dat de machine uit staat voordat u onderhoudswerkzaamheden gaat uitvoeren.

In de vuilwatertank (bovenste tank) bevindt zich een zuigerafsluitsysteem dat de zuigwerking stopt als de vuilwatertank vol is. Het voorkomt tevens dat schuim van reinigingsmiddelen de motor kan binnendringen. Soms raken de openingen van de drijver verstoppt - maak deze schoon (Fig. 46-47) om voor een juiste werking te zorgen en controleer en reinig tevens de luchtfilter aan de bovenzijde van het samenstel.

Verwijder het filter van de vuilcontainer, spoel het met schoon water en plaats het terug (Fig. 48).

BELANGRIJK: Als de vuilcontainer verstoppt raakt, zullen de zuigprestaties misschien afnemen.

Het filter van de schoonwatertank bevindt zich voor het accucompartiment en moet regelmatig worden gecontroleerd (Fig. 49).

Til het filter uit de houder, schroef de bodem er vanaf en verwijder deze (Fig. 50). Let erop dat er geen vloeistof op de accu's terecht komt. Spoel het filter met schoon water en plaats het terug (Fig. 51).

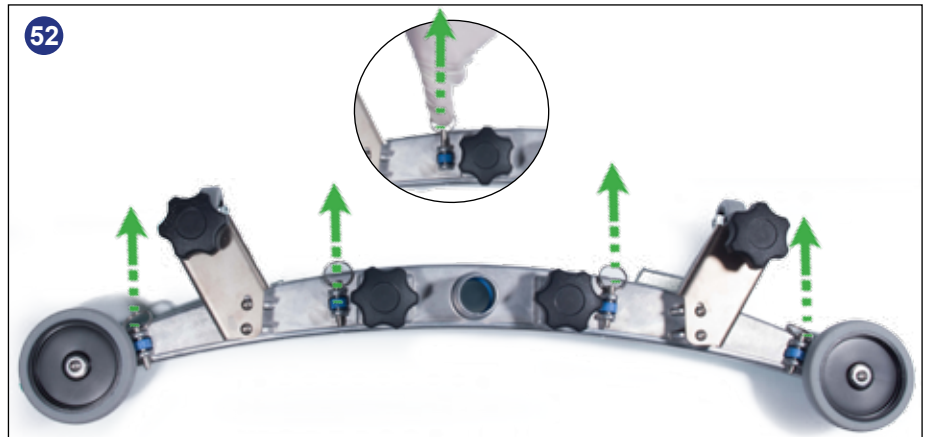
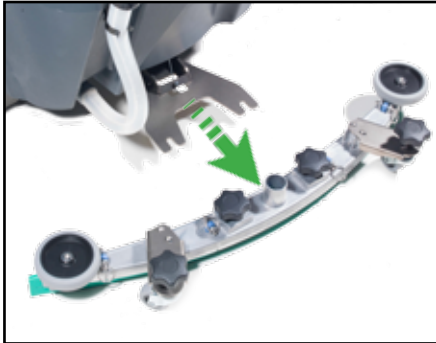
Monteer alle onderdelen van het filter en plaats het terug in de houder.

Opmerking: Als er vloeistof is gemorst, moet deze eerst worden afgeveegd voordat de tank wordt teruggeplaatst.

Changing the Floor-tool Blades



Always ensure that the machine is switched off prior to any maintenance.



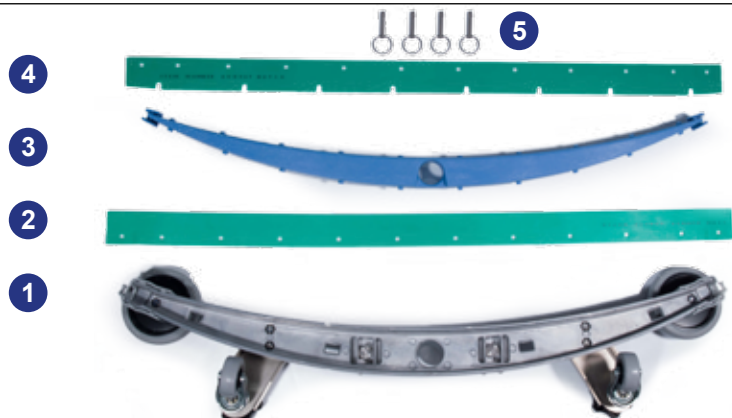
To clean the floor-tool, lower the Floor-tool then unscrew the retaining knobs and slide off of the floor-tool holding bracket. Rinse the floor-tool assembly with clean water and refit.



Periodically the floor-tool blades should be examined and checked for wear and damage. The blade removal is easy. Simply start by removing the four retaining pins (Fig.52), turn the floor-tool over and separate the blade carrier from the body (Fig.53-54). Peel away the blades from their locating lugs (Fig.55) and examine or renew as required. Replacement is a reversal of the removal process.

Floor-tool overview

1. Floor-tool main body
2. Rear blade
3. Blade carrier
4. Front blade (slotted)
5. Retaining pins x 4



Note: The blades are designed to be reversible, thus extending their useful working life.

Auswechseln der Abstreiferblätter



Vor jeglichen Wartungsmaßnahmen immer sicherstellen, dass die Maschine abgeschaltet ist.

Den Abstreifer zur Reinigung senken, die Halteschrauben lösen und von seinem Haltebügel wegschieben.
Die Abstreiferbaugruppe mit Frischwasser abspülen und dann wieder anbringen.

Die Blätter des Abstreifers sollten regelmäßig untersucht und auf Anzeichen von Verschleiß und Beschädigung geprüft werden.

Das Ausbauen des Blattes ist einfach. Zunächst die vier Haltestifte entfernen (Abb. 52), dann den Abstreifer umdrehen und den Blattträger vom Körper abnehmen (Abb. 53-54).

Die Blätter von ihren Positioniersprünge abziehen (Abb. 55) und überprüfen oder gegebenenfalls erneuern.
Der Wiedereinbau erfolgt in umgekehrter Reihenfolge wie der Ausbau.

1. Abstreiferkörper
2. Hinteres Blatt
3. Blattträger
4. Vorderes Blatt (Aussparungen)
5. Haltestifte x 4

Anmerkung: Die Blätter können auch umgekehrt eingebaut werden. Dadurch verlängert sich ihre mögliche Lebensdauer.

Remplacement des lamelles du suceur



Vérifiez systématiquement que la machine est hors tension avant toute maintenance.

Pour nettoyer le suceur, abaissez-le, desserrez les boutons de retenue, puis faites-le sortir de son support de retenue.
Rincez le suceur à l'eau claire et remettez-le en place.

Les lamelles du suceur doivent être examinées périodiquement pour s'assurer qu'elles ne sont pas usées ou endommagées.

La procédure de démontage des lamelles est très simple. Commencez simplement par enlever les quatre goupilles de fixation (fig. 52), retournez le suceur et séparez le support de lamelles du corps (voir fig. 53 et 54).

Retirez les lamelles de leurs ergots de positionnement (fig. 55), examinez-les et changez-les si nécessaire.
Pour remonter les lamelles, suivez la procédure inverse.

1. Corps principal du suceur
2. Lamelle arrière
3. Support de lamelles
4. Lamelle avant (fendue)
5. Goupilles de fixation x 4

Remarque : Les lamelles sont conçues pour être réversibles, ce qui permet de prolonger leur durée de vie utile.

Wissers vloerelement vervangen



Zorg er altijd voor dat de machine uit staat voordat u onderhoudswerkzaamheden gaat uitvoeren.

Het vloerelement reinigen: zet het omlaag, schroef de vastzetknoppen los en schuif het vloerelement van de beugel.
Spoel het vloerelement af met schoon water en plaats het terug.

De wissers van het element moeten van tijd tot tijd worden gecontroleerd op slijtage en beschadiging.

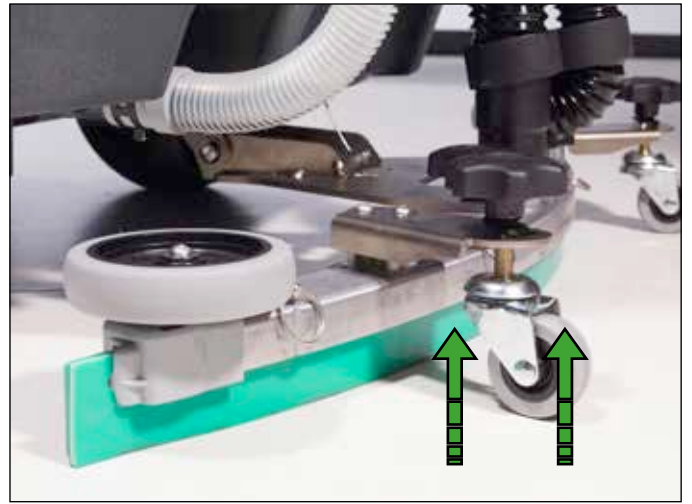
De wissers kunnen eenvoudig worden verwijderd. U begint gewoon met het verwijderen van de vier borgpennen (Fig. 52), dan draait u het vloerelement om en trekt u de wisserhouder uit het vloerelement (Fig. 53-54).

Trek de wissers los van de bevestigingspunten (Fig. 53), controleer ze en vervang ze eventueel.
U vervangt de wissers door de stappen hierboven in omgekeerde volgorde uit te voeren.

1. Hoofdlichaam vloerelement
2. Achterste wisser
3. Wissershouder
4. Voorste wisser (met gleuven)
5. Borgpennen x 4

Opmerking: Voor een langere levensduur zijn de wisserbladen zo ontworpen dat ze kunnen worden omgekeerd.

Floor-tool Height Adjustment



If your machine leaves streaks on the cleaned floor,
either clean the floor-tool blade (See page 13)
or
adjust blade pressure for optimum performance.



Bodenwerkzeughöheneinstellung



Zeigt der mit der Maschine gereinigte Boden Streifen, so muss für optimale Leistung entweder das Abstreiferblatt gereinigt (siehe Seite 29) oder der Druck des Blatts eingestellt werden.

Outil de réglage de la hauteur de plancher



Si votre machine laisse des stries sur le sol qui vient d'être lavé, nettoyez les lamelles du suceur (voir page 29) ou bien ajustez la pression des lamelles pour optimiser le fonctionnement.

Vloer-instrument hoogtestelknoppen



Als uw machine strepen op de schone vloer achterlaat, dient of de wisser van het vloerelement te worden gereinigd (zie pag. 29) of de druk op de wisser te worden bijgesteld.

Machine Charging



Always ensure that the machine is switched off prior to charging.



The battery charge indicator displays the charge level of the batteries; when fully charged, all meter lights are illuminated.



As the machine is used and the batteries are discharged, the meter lights will go out from right to left.

If the battery-charge level is allowed to discharge to the point that only three red lights are illuminated, the operator must consider charging the machine.



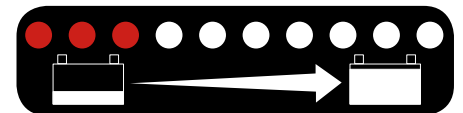
If the battery-charge level is allowed to discharge to the point that only three red lights remain illuminated (and begin to flash), all cleaning functions will automatically be disabled and the operator should drive the machine straight to a suitable charge point.



50-100%



20-50%



0-20%



The large capacity gel batteries are sealed for life and are totally maintenance free. The on-board charger automatically monitors the charging process and will switch off when the batteries are fully charged.

The machine charging point is located above the foot plate (See page 3 : Item 10).

Insert the charging lead (Fig.56) required for your country into the charging point and connect to a suitable power supply (Fig.57).

Note: The Charging Lead supplied with your machine may differ than the lead shown.

Once the charging lead has been connected the red charging indicator will illuminate and the display panel will show 'INHIBITED'.

The battery charge indicator display lights will flash in unison.

The machine will not operate.

To ensure a full charge, the machine should be left until the charging indicator shows green.

Once fully charged, disconnect the charging lead from both the power supply and the machine.

***Note**

Charger viewing panel only available on certain models.

See page 44



Laden des Akkus der Maschine



Vor dem Laden immer sicherstellen, dass die Maschine abgeschaltet ist.

Die Akku-Ladestandsanzeige zeigt den Ladezustand der Akkus. Sind diese voll geladen, so leuchten alle Anzeigelampen.

Beim Einsatz der Maschine werden die Akkus entladen, und die LEDs des Messgeräts erlöschen von rechts nach links.

Ist der Akku soweit entladen, dass nur noch die roten Lampen eingeschaltet sind, so muss der Bediener ein Laden der Maschine vorsehen.

Geht die Entladung so weit, dass nur noch die roten Lampen (und zu blinken beginnt), werden alle Reinigungsfunktionen automatisch deaktiviert, und der Bediener muss die Maschine umgehend zu einer geeigneten Ladestation fahren.

Die Gel-Akkus hoher Kapazität sind dicht verschlossen und absolut wartungsfrei. Das Bordladegerät überwacht den Ladevorgang automatisch und schaltet aus, wenn die Akkus vollständig geladen sind.

Der Ladeanschluss der Maschine befindet sich über der Grundplatte (siehe Seite 3: Punkt 10).

Das im Land, in dem die Maschine eingesetzt wird, erforderliche Ladekabel (Abb. 56) mit dem Ladeanschluss verbinden und an einer geeigneten Stromversorgung anschließen (Abb. 57).

Anmerkung: Das mit der Maschine gelieferte Ladekabel kann von dem hier gezeigten abweichen.

Nach dem Anschluss des Ladekabels schaltet die rote Ladelampe ein und auf der Anzeige erscheint die Meldung 'INHIBITED' (gesperrt).

Die Anzeigelampen der Akku-Ladestandsanzeige blinken gemeinsam.

Die Maschine kann nicht arbeiten.

Zur Sicherstellung einer vollen Ladung ist die Maschine solange zu laden, bis die Ladeanzeige grün leuchtet.

Nachdem der Akku vollständig geladen ist, das Ladekabel von der Netzversorgung und der Maschine trennen.

***Anmerkung:** Das Ladegerät-Anzeigefeld ist nur an gewissen Modellen verfügbar.

Siehe Seite 45

Charge de la machine



Vérifiez systématiquement que la machine est hors tension avant de procéder à la charge.

L'indicateur de charge de batterie affiche le niveau de charge des batteries. En charge complète, tous les voyants du compteur sont allumés.

À mesure que la machine est utilisée et que les batteries se déchargent, les voyants du compteur s'éteignent de la droite vers la gauche.

Si les batteries sont déchargées au point que seuls les voyants rouges restent allumés, l'opérateur doit envisager de recharger la machine.

Si les batteries sont déchargées au point que seuls les voyants rouges restent allumés (et qu'il commence à clignoter), toutes les fonctions de nettoyage sont automatiquement désactivées et l'opérateur doit immédiatement amener la machine à un point de charge adapté.

Les batteries au gel de grande capacité sont étanches à vie et ne nécessitent absolument aucun entretien. Le chargeur embarqué surveille automatiquement le processus de charge et s'éteint lorsque les batteries sont complètement chargées.

Le point de charge de la machine est situé au-dessus du plancher (voir page 3 : point 10).

Insérez le câble de charge (fig. 56) requis pour votre pays dans le point de charge et branchez-le sur une prise d'alimentation électrique appropriée (fig. 57).

Remarque : Le câble de charge fourni avec votre machine peut ne pas correspondre à celui représenté.

Une fois le câble de charge branché, l'indicateur de charge rouge s'allume et le panneau d'affichage affiche "INHIBÉE".

Les voyants de l'indicateur de charge de batterie clignotent à l'unisson.

La machine ne fonctionne pas.

Pour recharger entièrement les batteries, la machine doit être laissée en charge jusqu'à ce que l'indicateur de charge devienne vert.

Lorsque la charge est terminée, débranchez le câble de charge à la fois de la prise de courant et de la machine.

***Remarque : Le panneau d'affichage du chargeur n'est disponible que sur certains modèles.**

Voir page 45

Machine opladen



Controleer altijd of de machine is uitgeschakeld voordat u deze oplaadt.

De accumeter geeft het laadniveau van de accu's aan; als ze volledig zijn opgeladen, branden alle lampjes van de meter.

Wanneer de machine wordt gebruikt en de accu's worden ontladen, zullen de lampjes op de meter van rechts naar links uitdoven.

Als het accuniveau zo laag wordt dat alleen de rode lampjes branden, dient de gebruiker er rekening mee te houden dat de machine binnenkort moet worden opgeladen.

Als het accuniveau zo laag wordt dat alleen de rode lampjes branden (en begint te knipperen), worden alle schoonmaakfuncties automatisch uitgeschakeld en moet de gebruiker de machine direct naar een geschikt oplaadpunt rijden.

De grote gelaccu's zijn voor de gehele levensduur verzegeld en totaal onderhoudsvrij. De ingebouwde lader bewaakt automatisch het oplaadproces en schakelt zichzelf uit wanneer de accu's volledig zijn opgeladen.

Het laadpunt van de machine bevindt zich boven de voetplaat (zie pag. 3: nummer 10).

Stop het laadsnoer (Fig. 56) dat geschikt is voor uw land in het laadpunt en sluit het aan op een geschikte stroombron (Fig. 57).

Opmerking: De laadkabel die bij uw machine is meegeleverd kan afwijken van de getoonde kabel.

Zodra de laadkabel is aangesloten, zal het rode laadlampje oplichten en verschijnt 'INHIBITED' [GEBLOKKEERD] op de display.

De lampjes van de accumeter zullen tegelijk knipperen.

De machine is geblokkeerd en zal niet werken.

Wacht tot de accu's volledig zijn opgeladen en het groene lampje van de accumeter oplicht.

Trek de stekker van het laadsnoer uit het stopcontact en uit de machine als de accu's volledig zijn opgeladen.

***Opmerking Niet alle modellen beschikken over laadcontrolelampjes.**

Zie pag.45

Free-wheel Function



**ALWAYS ENSURE THAT THE MACHINE IS ON LEVEL GROUND
BEFORE DISENGAGING BRAKE ARM.
NEVER DISENGAGE THE BRAKE WHEN THE MACHINE IS ON A SLOPE / GRADIENT.**



The CRO 8055 is equipped with a free-wheel function that will enable the operator to move the machine.



The Free-wheel lever can be found on the right hand side of the rear axle (Fig.58).
To disengage the brake, pull the lever into the down position (Fig.59).
Re-engage the brake by moving the lever into the up position.



When the brake is disengaged the machine is in Free-wheel mode and has no braking facility. Care must be taken when moving the machine in Free-wheel mode.



Battery Care

To ensure your machine remains at its maximum efficiency and prolong your battery life, please follow the simple steps below:



Under normal daily usage:

Recharge batteries after each use regardless of machine operation time.

Recharge the machine fully after its last use.

Do not leave the machine in a discharged state.

Freilauffunktion



VOR FREIGABE DES BREMSARMS IMMER SICHERSTELLEN, DASS DIE MASCHINE AUF EBENEM UNTERGRUND STEHT. DIE BREMSE AUF KEINEN FALL FREIGEBEN, WENN DIE MASCHINE AUF GENEIGTEM GRUND STEHT.

Die CRO 8055 ist mit einer Freilauffunktion ausgestattet, die es dem Bediener erlaubt die Maschine zu verschieben.

Bei gelöster Bremse befindet sich die Maschine im Freilaufmodus und hat keine Bremsvorrichtung. Beim Verschieben der Maschine im Freilaufmodus ist deshalb mit Vorsicht zu verfahren.

Akkupflege

Um der Maschine bleibende maximale Wirksamkeit zu sichern und zur Verlängerung der Lebensdauer der Akkus sind folgende einfache Maßnahmen einzuhalten:

Bei normalem täglichem Einsatz:

Die Akkus unabhängig von der Betriebszeit nach jeder Verwendung der Maschine wieder laden.

Die Maschine nach der letzten Verwendung voll laden. Die Maschine nicht in entladendem Zustand stehen lassen.

Fonction roues libres



ASSUREZ-VOUS TOUJOURS QUE LA MACHINE EST SUR UN SOL PLAT AVANT DE DESSERRER LE BRAS DE FREIN. NE DESSERREZ JAMAIS LE FREIN LORSQUE LA MACHINE EST SUR UNE PENTE OU UNE RAMPE.

La CRO 8055 est équipée d'une fonction roues libres qui permet à l'opérateur de déplacer la machine.

Lorsque le frein est desserré, la machine est en mode roues libres et ne dispose d'aucun moyen de freinage. Prenez les précautions nécessaires lorsque la machine est en mode roues libres.

Entretien des batteries

Pour être sûr que votre machine conserve son efficacité maximale et pour prolonger la durée de vie de vos batteries, prenez les précautions simples suivantes :

Dans le cadre d'un usage quotidien normal :

Rechargez les batteries après chaque utilisation de la machine, quel que soit le temps qu'ait duré cette utilisation.

Rechargez la machine entièrement après sa dernière utilisation. Ne laissez pas la machine à l'état déchargé.

Vrijloopstand



DE REMHENDEL MAG PAS WORDEN VRIJGEGEVEN WANNEER DE MACHINE OP EEN VLAKKE ONDERGROND STAAT GEEF DE REM NOOIT VRIJ WANNEER DE MACHINE OP EEN HELLING/HELLEND VLAK STAAT.

De CRO 8055 is uitgerust met een vrijloopfunctie waarmee de bediener de machine kan verplaatsen.

Wanneer de rem is ontkoppeld, staat de machine in de vrijloopstand en heeft geen remvermogen. Wees voorzichtig als u de machine in de vrijloopstand verplaatst.

Onderhoud accu

Volg de volgende eenvoudige stappen zodat uw machine op maximaal vermogen blijft werken en de levensduur van de accu's wordt verlengd:

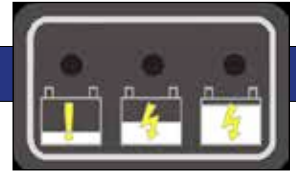
Bij normaal dagelijks gebruik:

Laad de accu's na elk gebruik op, ongeacht de gebruiksduur.

Laad de machine volledig op na het laatste gebruik. Laat de machine niet met ongeladen accu's staan.

Battery Care

Viewing Panel Charging Light Sequence



Signal (LED)		Meaning
	Red LED on	First Phase (constant current Mode)
	Orange LED on	Second Phase (Constant Voltage Mode)
	Green LED on	Third Phase (Constant Voltage Mode) Charge Complete
	Red LED flashing followed by Pause	Cooling Fan Locked > 1 flash between pause Over Voltage Protection / Output Short Circuit / Battery Reverse Polarity > 2 flashes between pause Over Temperature Protection > 3 flashes between pause Charge Time has exceeded 10 hrs during phase 1 or 2 > 4 flashes between pause

***Note: Only available on certain models.**

Under abnormal use;

i.e. leaving the machine without charging for a period of time, we advise that you follow these steps:



If the machine will be standing unused for a period of 30 days or more, then batteries must be fully charged and battery fuses removed using the Maxi fuse-puller provided, prior to this period.

Batteries should be recharged every three months.
Charge fully the day before you start using the machine again.



Akkupflege

Signal (LED)		Bedeutung
	Rote LED Ein	Erste Phase (Konstantstrom-Modus)
	Orange LED Ein	Zweite Phase (Konstantspannungs-Modus)
	Grüne LED Ein	Dritte Phase (Konstantspannungs-Modus) Fertig Geladen
	Rote LED blinkt, dann Pause	Kühlgebläse gesperrt = 1 x Blinken zwischen den Pausen Überspannungsschutz / Kurzschluss am Ausgang/Falsche Polung der Batterie = 2 x Blinken zwischen den Pausen Überhitzungsschutz = 3 x Blinken zwischen den Pausen Ladezeit hat 10 Std. während Phase 1 oder 2 überschritten = 4 x Blinken zwischen den Pausen



***Anmerkung: Nur an gewissen Modellen verfügbar.**

Bei ungewöhnlicher Verwendung, wenn z. B. die Maschine längere Zeit nicht geladen wird, empfehlen wir folgende Maßnahmen:

Wenn die Maschine 30 Tage oder länger ungenutzt bleibt, müssen die Akkus vor Beginn dieses Zeitraums vollständig geladen und die Akkusicherungen mittels der gelieferten Sicherungs-Abziehvorrichtung entnommen werden.

Akkus sollten alle drei Monate neu aufgeladen werden.
Die Maschine am Tag vor dem erneuten Einsatz vollständig laden.

Entretien des batteries



	Signal (voyant à DEL)	Signification
	LED rouge allumée	Première phase (mode courant constant)
	LED orange allumée	Deuxième phase (mode tension constante)
	LED verte allumée	Troisième phase (mode tension constante) Charge terminée
	LED rouge qui clignote, suivi d'une pause	Ventilateur de refroidissement bloqué = 1 clignotement entre deux pauses Protection surtension / Court-circuit en sortie / Inversion polarité batterie = 2 clignotements entre deux pauses Protection surchauffe = 3 clignotements entre deux pauses Temps de charge qui a dépassé 10 h durant la phase 1 ou 2 = 4 clignotements entre deux pauses

*Remarque : Disponible sur certains modèles uniquement.

En cas d'usage anormal, c'est-à-dire si vous laissez la machine sans la charger pendant un certain temps, nous vous conseillons d'effectuer ce qui suit :

Si la machine doit rester inutilisée pendant une période de 30 jours ou plus, les batteries doivent être au préalable entièrement chargées et les fusibles des batteries retirés avec l'extracteur de fusibles Maxi fourni.

Les batteries doivent être rechargées tous les trois mois.
Effectuez une charge complète la veille de la remise en service de la machine.

Onderhoud accu






	Signaal (LED)	Betekenis
	Rode LED aan	Eerste fase (Modus constante stroom)
	Oranje LED aan	Tweede fase (Modus constante spanning)
	Groene LED aan	Derde fase (Modus constante spanning) - Laden beëindigd
	Rode LED knippert gevolgd door pauze	Koelventilator geblokkeerd = LED knippert 1x tussen pauzes Overspanningsbeveiliging / Kortsluiting uitgang / Omgekeerde polariteit accu = LED knippert 2x tussen pauzes Oververhittingsbeveiliging = LED knippert 3x tussen pauzes Laadduur tijdens 1e of 2e fase overschreed 10 uur = LED knippert 4x tussen pauzes

*Opmerking: Enkel beschikbaar bij bepaalde modellen.

Bij abnormaal gebruik, d.w.z. wanneer u de machine een hele tijd niet oplaadt, worden de volgende stappen aanbevolen:

Als de machine 30 dagen of langer niet gebruikt wordt, moeten de accu's vooraf volledig worden geladen en moeten de accuzekeringen worden verwijderd met de meegeleverde Maxi-zekeringtrekker.

De accu's moeten om de drie maanden worden opgeladen.
Laad de accu's volledig op op de dag voordat u de machine weer in gebruik neemt.

Green Status Indicator	Fault	Possible Cause	Effect on Product	Investigate the Following	Action Required	If Fault Persists
1 Flash with pause 	Batteries voltage low	Batteries not been charged	Operating time severely reduced or machine will not operate	Check when machine last charged	Charge batteries immediately	
		Possible bad connection between batteries, controller, charger or fuses caused by loose connections, damaged wiring, water ingress		Switch OFF the machine : Remove Fuses Check connections to batteries, charger and fuses for loose wires or screws	Tighten loose connections and replace damaged components	
		Not accepting charge due to faulty battery / cell		Check each battery Voltage individually to detect defect unit 10.5V / min	Replace batteries as required	
2 Flashes with pause 	Traction motor disconnected	Charger not functioning	The motor will not operate	Charger not functioning	Replace charger	
		The motor has a bad connection		Check all connections and leads between motor and controller	Tighten loose connections and replace damaged components - check exhaust clean if necessary	
		Motor disconnected		Check battery voltage and charge current ensuring charger red fault light is extinguished.	Replace charger	
3 Flashes with pause 	Traction motor wiring trip	TCO activated (Thermal Cut Out)	Motor will not operate	Check all connections and leads between motor and controller	Tighten loose connections and replace damaged components - check exhaust clean if necessary	
		Motor failed to open circuit		Check battery voltage and charge current ensuring charger red fault light is extinguished	Charge batteries immediately	
		The motor has a short circuit to a battery		Check each battery voltage individually to detect defect unit 10.5V / min	Charge batteries immediately	
4 Flashes with pause 	Battery Lockout	The battery charge level has fallen below the battery lockout level and the controller is inhibiting machine functions	Machine functions not working	Remove charger to operate machine		
		The controller is being inhibited from driving, this may be because the battery charger is connected		Check all connections and leads	Tighten loose connections and replace damaged components	
6 Flashes with pause 	Charger connected	A controller trip is indicated	Machine functions not working	Check all connections and leads	Tighten loose connections and replace damaged components	
		Poor brake connections, Brake failure or deactivation		Check brake wiring and brake lever	Replace brake or wiring as necessary. Reactivate brake by engaging brake lever	
8 Flashes with pause 	Controller trip	Poor connections between battery controller and traction motor	Machine functions not working	Check each battery Voltage individually to ensure voltage < 14 volts		
		High battery voltage		Check connections on controller batteries and traction motor	Check combined battery pack voltage is < 28 volts	
9 Flashes with pause 	Brake deactivated or failed		Traction drive disabled			
10 Flashes with pause 	High battery voltage		Machine functions not working			

Trouble Shooting

LCD Display	Fault	Possible Cause	Effect on Product	Investigate the Following	Action Required	If Fault Persists
Blank	* No power	* Key switched off * Emergency stop pressed	* Machine will not operate	* Key switched off * Emergency stop pressed	* Switch key on * Release emergency stop	Contact Service Agent
'OVER CURRENT'	* Brush over current	* Brush pressure too great * Brush current exceeds 32A * Wrong type of brush for surface	* Vac. brush, water & Detergent motors / pump will not operate * Brush LED's all flash in unison until the Pedal is released	* Release brush pressure * Change type of brush * Restart machine		
'UNDER VOLTS'	* Battery voltage dropped below 21 Volts * Left most battery LED flashes	* Batteries require recharging * Faulty cell on battery	* Machine will not operate	* Battery leads and connections	* Charge batteries * Replace battery (if cell damaged)	
'VAC OVER CURRENT'	* Vacuum motor fault	* Debris entering vacuum motor * Water ingress	* Machine disabled	* Restart machine * Replace vacuum motor		
'INHIBITED'	MACHINE INHIBITED - NO OPERATION					

To view CRO 8055 run time information turn the key to the 'ON' position
Press the run-time information button to cycle between the different modes



T = Traction run-time

V = Vacuum total run-time

B = Brush total run-time

W = Water Pump total run-time

Grüne Zustandsanzeige	Fehler	Mögliche Ursache	Auswirkung auf das Produkt	Folgendes untersuchen	Erforderliche Maßnahme	Bei Fortbestehen des Fehlers
1x Blinken mit Pause ●	Akkuspannung niedrig	Akkus wurden nicht geladen Schlechte Verbindung zwischen Akku, Controller, Ladegerät oder Sicherungen wegen loser Anschlüsse, beschädigter Verkabelung oder eingedrungenem Wasser. Die zugeführte Ladung wird aufgrund eines defekten Akkus / einer defekten Zelle nicht angenommen	Betriebszeit ist stark eingeschränkt oder Maschine funktioniert nicht	Prüfen, wann die Maschine das letzte Mal geladen wurde Maschine ausschalten: Sicherungen herausnehmen Verbindungen von Akku, Ladegerät und Sicherungen auf lose Kabel oder Schrauben prüfen Die Spannungen der einzelnen Akkus prüfen, um die defekte Einheit aufzufinden, min. 10,5 V.	Akkus sofort laden Lockere Verbindungen festziehen und beschädigte Komponenten ersetzen Gegebenenfalls Akkus ersetzen Ladegerät ersetzen	Mit Service-Fachkraft in Verbindung treten
2x Blinken mit Pause ●●	Fahrmotor abgeklemmt	Ladegerät funktioniert nicht Fehlerhafte Verbindung mit Motor Motor getrennt Thermoschutz aktiviert Motor wegen offenen Stromkreises ausgefallen Motor mit einem Akku kurzgeschlossen	Motor funktioniert nicht	Alle Anschlüsse und Kabel zwischen Motor und Controller prüfen Alle Anschlüsse und Kabel zwischen Motor und Controller prüfen	Lockere Verbindungen festziehen und beschädigte Komponenten ersetzen - gegebenenfalls sicherstellen, dass Auslass sauber.	
3x Blinken mit Pause ●●●	Fehlerhafte Verkabelung des Fahrmotors	Der Akkuladestand ist unter das Spermniveau gefallen, und der Controller sperrt die Maschinenfunktionen	Motor funktioniert nicht	Alle Anschlüsse und Kabel zwischen Motor und Controller prüfen	Akkus sofort laden	
4x Blinken mit Pause ●●●●	Akkusperre	Der Controller wird am Fahren gehindert, was vom Anschluss des Akku-Ladegeräts herrühren kann	Maschinenfunktionen ausgefallen	Akkuspannung und Ladestrom prüfen und sicherstellen, dass die rote Fehlerleuchte des Ladegeräts erloschen ist. Die Spannungen der einzelnen Akkus prüfen, um die defekte Einheit aufzufinden, min. 10,5 V.	Akkus sofort laden	
6x Blinken mit Pause ●●●●●●	Ladegerät angeschlossen	Ein Ausfall des Controllers wird angezeigt	Maschinenfunktionen ausgefallen	Zum Betrieb der Maschine das Ladegerät wegnehmen		
8x Blinken mit Pause ●●●●●●●●	Controller-Abschaltung	Schlechte Bremsanschlüsse. Ausfall oder Deaktivierung der Bremse	Maschinenfunktionen ausgefallen	Alle Anschlüsse und Kabel prüfen	Lockere Verbindungen festziehen und beschädigte Komponenten ersetzen	
9x Blinken mit Pause ●●●●●●●●●	Deaktivierte oder ausgefallene Bremse	Schlechte Verbindungen zwischen Akku, Controller und Fahrmotor	Fahrantrieb deaktiviert	Verkabelung der Bremse und Bremshebel prüfen	Bremse oder Verkabelung je nach Bedarf ersetzen. Bremse durch Einlegen des Bremshebels wieder aktivieren	
10x Blinken mit Pause ●●●●●●●●●●	Hohe Akkuspannung		Maschinenfunktionen ausgefallen	Die Spannungen der einzelnen Akkus prüfen, die < 14 Volt sein müssen Anschlüsse an Controller, Akku und Fahrmotor prüfen Prüfen, dass die Spannung des gesamten Akkupacks < 28 Volt ist		

Fehlersuche und -behebung

LCD-Anzeige	Fehler	Mögliche Ursache	Auswirkung auf das Produkt	Folgendes untersuchen	Erforderliche Maßnahme	Bei Fortbestehen des Fehlers
Leer	* Keine Stromversorgung	* Schlüsselschalter aus * Notaus-Piltaster gedrückt	* Maschine kann nicht arbeiten	* Schlüsselschalter aus * Notaus-Piltaster gedrückt	* Schlüssel einschalten * Notaus-Piltaster zurücksetzen	Mit Service-Fachkraft in Verbindung treten
'OVER CURRENT'	* Überstrom an den Bürsten	* Bürstendruck zu hoch * Bürstenstrom überschreitet 32 A * Falscher Bürstentyp für zu reinigende Fläche	* Motoren/Pumpen für Saugbürste, Wasser und Reinigungsmittel arbeiten nicht * Alle Bürsten-LEDs blinken gemeinsam, bis Pedal freigegeben	* Bürstendruck wegnehmen * Bürstentyp wechseln * Maschine neu starten		
'UNDER VOLTS'	* Akkuspannung unter 21 Volt gefallen * Äußerste linke Akku-LED blinkt	* Akkus müssen geladen werden * Defekte Zelle in Akku	* Maschine kann nicht arbeiten	* Akku-Kabel und Anschlüsse	* Akku laden. * Akku ersetzen (falls Zelle beschädigt)	
'VAC OVER CURRENT'	* Saugmotor fehlerhaft	* Fremdkörper in Saugmotor eingedrungen * Wassereintritt	* Maschine deaktiviert	* Maschine neu starten * Saugmotor ersetzen		
'INHIBITED'			(Maschine gesperrt - kein Betrieb)			

Zur Anzeige der CRO 8055 Betriebszeitdaten, den Schlüssel in die eingeschaltete Position drehen.

Durch Drücken der Betriebszeitdaten-Taste den Modus wechseln.

T = Fahrzeit.

V = Gesamte Saugbetriebszeit.

B = Gesamte Bürstenbetriebszeit.

W = Gesamte Wasserpumpen-Laufzeit



Indicateur d'état vert	Problème	Cause possible	Effet sur le produit	Points à vérifier	Mesures à prendre	Si le problème persiste
1 clignotement avec pause ●	Tension des batteries faible	Les batteries n'ont pas été chargées	La durée de fonctionnement est fortement réduite ou la machine ne fonctionne pas	Vérifiez à quand remonte la dernière charge de la machine	Rechargez les batteries immédiatement	
		Mauvais contact possible entre les batteries, le contrôleur, le chargeur ou les fusibles, dû à des connexions desserrées, à un câblage endommagé ou à la pénétration d'eau		Éteignez la machine : Retirez les fusibles Vérifiez s'il y a des fils ou des vis desserrés sur les batteries, le chargeur et les fusibles	Resserrez les connexions desserrées et remplacez les composants endommagés	
2 clignotements avec pause ●●	Moteur de traction déconnecté	N'accepte pas la charge en raison de batteries/cellules défectueuses	Le moteur ne fonctionne pas	Vérifiez la tension de chaque batterie individuellement pour détecter toute unité défectueuse ; 10,5 V min	Remplacez les batteries au besoin	
		Le chargeur ne fonctionne pas		Vérifiez la tension de batterie et le courant de charge en vous assurant que le voyant de défaut rouge du chargeur est éteint	Remplacez le chargeur	
3 clignotements avec pause ●●●		Le moteur a une mauvaise connexion	Le moteur ne fonctionne pas	Vérifiez toutes les connexions et tous les fils entre le moteur et le contrôleur	Resserrez les connexions desserrées et remplacez les composants endommagés./Vérifiez l'extraction et nettoyez si nécessaire	
		Moteur déconnecté				
4 clignotements avec pause ●●●●	Déclenchement du câblage du moteur de traction	CCT (coupe-circuit thermique) activé	Le moteur ne fonctionne pas	Vérifiez toutes les connexions et tous les fils entre le moteur et le contrôleur	Rechargez les batteries immédiatement	Contactez un agent du service technique
		Le moteur n'a pas pu ouvrir le circuit				
6 clignotements avec pause ●●●●●●	Verrouillage des batteries	Le niveau de charge des batteries est tombé en dessous du niveau de verrouillage des batteries et le contrôleur inhibe les fonctions de la machine	Les fonctions de la machine sont inhibées	Vérifiez la tension de batterie et le courant de charge en vous assurant que le voyant de défaut rouge du chargeur est éteint.	Rechargez les batteries immédiatement	
		Le contrôleur ne marche pas ; cela peut être dû au fait que le chargeur est branché		Vérifiez la tension de chaque batterie individuellement pour détecter toute unité défectueuse ; 10,5 V min		
8 clignotements avec pause ●●●●●●●●	Chargeur branché	Un déclenchement du contrôleur est indiqué	Les fonctions de la machine sont inhibées	Retirez le chargeur pour utiliser la machine	Resserrez les connexions desserrées et remplacez les composants endommagés	
		Déclenchement du contrôleur		Vérifiez toutes les connexions et tous les fils		
9 clignotements avec pause ●●●●●●●●●●	Frein désactivé ou n'ayant pas fonctionné.	Mauvaises connexions des freins Frein n'ayant pas fonctionné ou désactivé	Entraînement de traction désactivé	Vérifiez le câblage des freins et le levier de frein	Remplacez le frein ou le câblage selon les besoins. Réactivez le frein en engageant le levier de frein	
		Mauvaises connexions entre le contrôleur de batterie et le moteur de traction		Vérifiez que la tension de chaque batterie individuelle est inférieure à 14 volts		
10 clignotements avec pause ●●●●●●●●●●●●	Tension des batteries élevée		Les fonctions de la machine sont inhibées	Vérifiez les connexions du contrôleur, des batteries et du moteur de traction		
				Vérifiez que la tension du bloc-batterie combinée du bloc-batterie est inférieure à 28 volts		

Dépannage

Écran LCD	Problème	Cause possible	Effet sur le produit	Points à vérifier	Mesures à prendre	Si le problème persiste
Vide	* Pas d'alimentation	* Clé sur Arrêt * Bouton d'arrêt d'urgence activé	* La machine ne fonctionne pas	* Clé sur Arrêt * Bouton d'arrêt d'urgence enfoncé	* Tournez la clé sur Marche * Relâchez le bouton d'arrêt d'urgence	Contactez un agent du service technique
"SURINTENSITÉ"	* Surintensité des brosses	* Pression des brosses trop importante * Le courant des brosses dépasse 32 A * Mauvais type de brosse pour la surface	* La brosse d'aspiration, les moteurs /pompe à eau et à détergents ne fonctionnent pas * Les voyants DEL des brosses clignotent tous à l'unisson jusqu'à ce que la pédale soit relâchée	* Diminuez la pression des brosses * Changez le type de brosses * Redémarrez la machine		
"MANQUE DE TENSION"	* La tension des batteries a chuté en dessous de 21 V * Le voyant DEL de batterie le plus à gauche clignote	* Les batteries doivent être rechargées * Cellule défectueuse sur la batterie	* La machine ne fonctionne pas	* Fils et connexions des batteries	* Chargez les batteries * Remplacez la batterie (si la cellule est endommagée)	
"SURINTENSITÉ ASPIRATION"	* Défaillance du moteur d'aspiration	* Pénétration de débris dans le moteur d'aspiration * Pénétration d'eau	* Machine désactivée	* Redémarrez la machine * Remplacez le moteur d'aspiration		
"INHIBÉE"						

MACHINE INHIBÉE - UTILISATION IMPOSSIBLE

Pour voir les informations de temps de fonctionnement de la CRO 8055, tournez la clé sur la position « ON ».

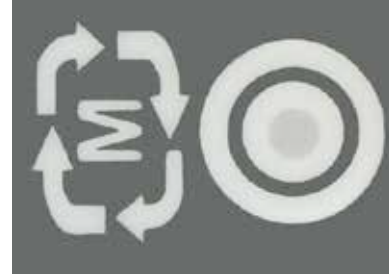
Appuyez sur le bouton d'informations de temps de fonctionnement pour sélectionner les différents modes.

T = Temps de fonctionnement traction.

V = Temps de fonctionnement total aspiration.

B = Temps de fonctionnement total brosses.

W = Temps de fonctionnement total pompe à eau.



Groen statusindicatielampje	Storing	Mogelijke oorzaak	Gevolg voor product	Onderzoek het volgende	Vereiste actie	Als storing niet is verholpen
1 Knippert met onderbreking ●	Lage accuspanning	De accu's zijn niet opgeladen Mogelijk slechte verbinding tussen accu's, controller, lader of zekeringen veroorzaakt door losse verbindingen, beschadigde bedrading, binnengedrongen water lading wordt niet opgenomen als gevolg van kapotte accu/cel Lader werkt niet	Bedrijfstijd ernstig bekort of de machine werkt niet	Controleer wanneer de machine voor het laatst is opgeladen Schakel de machine uit (OFF) Verwijder zekeringen Controleer aansluitingen naar accu's, lader en zekeringen op losse draden en schroeven	Laad de accu's onmiddellijk op Zet losse aansluitingen vast en vervang beschadigde onderdelen	
2 Knippert met onderbreking ●●	Tractiemotor losgekoppeld	De motor heeft een slechte verbinding Motor losgekoppeld TCO geactiveerd (Thermal Cut Out - Thermische beveiliging) Motor heeft schakeling niet geopend	De machine zal niet werken	Controleer alle aansluitingen en snoeren tussen de motor en de controller	Maak losse aansluitingen vast en vervang beschadigde onderdelen - controleer, indien nodig of uitlaat schoon is.	
3 Knippert met onderbreking ●●●	Tractiemotor bedrading kortsluiting	De motor heeft kortsluiting naar een accu	De motor werkt niet	Controleer alle aansluitingen en snoeren tussen de motor en de controller		
4 Knippert met onderbreking ●●●●	Accu uitgeschakeld	Het laadniveau van de accu is onder het niveau voor uitschakeling gedaald en de controller verhindert inschakeling van de functies van de machine	Machinefuncties werken niet	Controleer de accuspanning en de laadstroom en let erop dat het rode storingsslampje van de lader uit gaat Controleer de spanning van de beide accu's afzonderlijk op een storing, 10,5V min	Laad de accu's onmiddellijk op	
6 Knippert met onderbreking ●●●●●	Lader aangesloten	De controller kan de machine niet aandrijven. Dit komt mogelijk omdat de acculader is aangesloten	Machinefuncties werken niet	Koppel de lader los en gebruik de machine		
8 Knippert met onderbreking ●●●●●●	Kortsluiting controller	De controller is automatisch uitgeschakeld	Machinefuncties werken niet	Controleer alle aansluitingen en snoeren	Maak losse aansluitingen vast en vervang beschadigde onderdelen	
9 Knippert met onderbreking ●●●●●●●	Rem is gedeactiveerd of werkt niet naar behoren	Remslangen zijn niet goed aangesloten. Rem werkt niet naar behoren of is gedeactiveerd	Tractieaandrijving uitgeschakeld	Controleer de bedrading van de remmen en de remhendel	Vervang de remmen of bedrading indien nodig. Reactiveer de rem door aan de remhendel te trekken	
10 Knippert met onderbreking ●●●●●●●●	Hoge batterijspanning	Slechte verbindingen tussen controller accu en tractiemotor	Machinefuncties werken niet	Controleer de spanning van elke accu afzonderlijk op een spanning van < 14V Controleer de verbindingen tussen controller accu en tractiemotor Controleer dat het gecombineerde vermogen van de accu's < 28 V		

Neem contact op met servicedienst

Probleemoplossing

LCD-display	Storing	Mogelijke oorzaak	Gevolg voor product	Onderzoek het volgende	Vereiste actie	Als storing niet is verholpen
Leeg	* Geen voeding	* Contactsleutel in de stand OFF * Noodstop ingedrukt	* Machine werkt niet	* Contactsleutel in de stand OFF * Noodstop ingedrukt	* Zet de sleutel in de stand ON * Geef de noodstop vrij	Neem contact op met servicedienst
'OVERSTROOM'	* Overstroom borstel	* Borsteldruk te hoog * Stroom borstel hoger dan 32A * Verkeerd type borstel voor oppervlak	* Zuigborstel, motoren / pompen water & reinigingsmiddel werken niet * Borstel-LED's knipperen alle tegelijk totdat het pedaal wordt losgelaten	* Geef borsteldruk vrij * Gebruik ander type borstel * Start machine weer		
ONDERSPANNING	* Accuspanning onder 21 V gedaald * Meest linkse LED accu knippert	* Accu's moeten worden opgeladen * Kapotte cel in accu	* Machine werkt niet	* Accusnoeren en verbindingen	* Laad batterijen op. * Vervang accu (als cel is beschadigd)	
'OVERSTROOM STOFZUIGER'	* Storing zuigmotor	* Vuil dringt zuigmotor binnen * Binnendringend water	* Machine geblokkeerd	* Start machine weer * Vervang zuigmotor		
'GEBLOKKEERD'				MACHINE GEBLOKKEERD - GEEN WERKING		

Draai de sleutel naar de stand 'ON' om de looptijdinformatie van de CRO 8055 te zien.

Druk op de looptijdknop om de verschillende standen te doorlopen.

T = looptijd tractiemotor.

V = totale looptijd zuigmotor.

B = totale looptijd borstel.

W = totale looptijd waterpomp



Trouble Shooting



PROBLEM	CAUSE	SOLUTION
Machine will not operate	Missing or blown fuses Key in the 'OFF' (0) position Low battery charge Machine stop button in 'OFF' mode Machine is connected and charging	Fit or replace fuse (page 16) Turn key to 'ON' (1) position (page 16) Charge batteries (page 40) Reset stop button (page 26) Take off charge (page 40)
Vacuum will not operate	Floor tool in raised position Waste-water tank full	Lower floor-tool (page 18) Empty waste water tank (page 32)
Poor water pick-up	Waste-water tank full Clogged / blocked vacuum hose Loose hose connections Debris basket filter clogged / blocked Separator air filter clogged / blocked Poor separator seal Damaged separator seal Damaged / split vacuum hose Damaged floor-tool blades Low battery charge	Empty waste-water tank (page 32) Remove and clean (page 32) Push tight connections (page 30) Remove and clean (page 34) Remove and clean (Page 32) Clean and refit (page 32) Renew (contact service dept) Renew (contact service dept) Renew (contact service dept) Recharge batteries (page 40)
No brush / scrub function	No brushes fitted Brush deck raised	Check and fit (page 20) Lower brush deck (page 20)
Little or no water flow	Clean-water tank empty Clean-water tank filter blocked / clogged Incorrect water flow setting Brush deck raised	Fill clean-water tank (page 22) Remove and clean (34) Adjust as desired (Page 24) Lower brush deck (page 20)
Machine just 'stops' while operating	Too much load on the brush system	Reset the machine using the key and decrease the brush load to best suit the floor type (page 26)

Failure to rectify the problem or in the event of a breakdown contact your Numatic dealer or Numatic Technical helpline +44 (0)1460 269268

Fehlersuche und -behebung



PROBLEM	URSACHE	LÖSUNG
Maschine funktioniert nicht	Fehlende oder defekte Sicherungen Schlüssel in abgeschalteter Position Akkuladestand niedrig Maschinenausschalter ausgeschaltet Maschine ist angeschlossen und lädt	Sicherung einsetzen oder auswechseln (Seite 17) Mit Schlüssel einschalten (Seite 17) Akkus laden (Seite 41) Notaus-Piltaster zurücksetzen (Seite 27) Ladevorgang beenden (Seite 41)
Saugsystem arbeitet nicht	Abstreifer angehoben Schmutzwassertank voll	Abstreifer senken (Seite 19) Schmutzwassertank leeren (Seite 33)
Schlechte Wasseraufnahme	Schmutzwassertank voll Verstopfter/blockierter Saugschlauch Lockere Schlauchanschlüsse Schmutzkorbfilter verstopft/blockiert Abscheider-Luftfilter verstopft/blockiert Schlechte Abstreiferdichtung Beschädigte Abstreiferdichtung Beschädigter / eingerissener Saugschlauch Beschädigte Abstreiferblätter Akkuladestand niedrig	Schmutzwassertank leeren (Seite 33) Entfernen und reinigen (Seite 33) Verbindungen schließen (Seite 31) Entfernen und reinigen (Seite 35) Entfernen und reinigen (Seite 33) Reinigen und wieder einsetzen (Seite 33) Erneuern (an Serviceabteilung wenden) Erneuern (an Serviceabteilung wenden) Erneuern (an Serviceabteilung wenden) Akkus laden (Seite 41)
Keine Bürst-/Scheuerfunktion	Bürsten nicht montiert Bürstendeck angehoben	Überprüfen und anbringen (Seite 21) Bürstendeck absenken (Seite 21)
Wenig oder kein Wasserdurchfluss	Frischwassertank leer Filter am Frischwassertank blockiert/verstopft Falsche Einstellung für den Wasserdurchfluss Bürstendeck angehoben	Frischwassertank füllen (Seite 23) Entfernen und reinigen (Seite 35) Nach Wunsch einstellen (Seite 25) Bürstendeck absenken (Seite 21)
Maschine stoppt beim Betrieb	Zu hohe Last auf dem Bürstensystem	Die Maschine mit dem Schlüssel zurücksetzen und die Bürstenlast auf einen der Art des Bodens angepassten Wert senken (Seite 27)

Kann das Problem nicht behoben werden oder kommt es zu einem Ausfall, so wenden Sie sich bitte an Ihre Numatic-Vertriebsstelle oder rufen Sie bei der Numatic Technical Helpline an unter +44 (0)1460 269268.

Dépannage



PROBLÈME	CAUSE	SOLUTION
La machine ne fonctionne pas	Fusibles manquants ou grillés Clé sur la position « OFF » Charge de batterie faible Bouton d'arrêt de la machine en mode « OFF » Machine branchée et en charge	Installez ou remplacez le fusible (page 17) Tournez la clé sur la position « ON » (page 17) Rechargez les batteries (page 41) Réinitialisez le bouton d'arrêt (page 27) Arrêtez la charge (page 41)
L'aspiration ne fonctionne pas	Suceur en position relevée Réservoir d'eau sale plein	Abaissez le suceur (page 19) Videz le réservoir d'eau sale (page 33)
Aspiration d'eau inefficace	Réservoir d'eau sale plein Tuyau d'aspiration engorgé/bouché Raccords de tuyaux desserrés Panier-filtre à débris encrassé/obstrué Filtre à air du séparateur encrassé/obstrué Joint du séparateur inefficace Joint du séparateur endommagé Tuyau d'aspiration endommagé/fendu Lamelles du suceur endommagées Charge de batterie faible	Videz le réservoir d'eau sale (page 33) Retirer et nettoyer (page 33) Bien enfoncer les raccords (page 31) Retirer et nettoyer (pages 35) Retirer et Nettoyer (pages 33) Nettoyer et Réinstaller (page 33) À remplacer (contactez le service technique) À remplacer (contactez le service technique) À remplacer (contactez le service technique) Rechargez les batteries (page 41)
Pas de fonction de brosse/lavage	Aucune brosse installée Plateau de brosses relevé	Vérifiez et installez (page 21) Abaissez le plateau de brosses (page 21)
Peu ou pas de débit d'eau	Réservoir d'eau propre vide Filtre du réservoir d'eau propre obstrué/encrassé Réglage incorrect du débit d'eau Plateau de brosses relevé	Remplissez le réservoir d'eau propre (page 23) Retirer et nettoyer (page 35) Ajustez au besoin (page 25) Abaissez le plateau de brosses (page 21)
La machine s'arrête « d'un coup » pendant qu'elle fonctionne	Charge trop importante sur le système de brosses	Réinitialisez la machine en utilisant la clé et diminuez la charge sur les brosses pour qu'elle corresponde mieux au type de sol (page 27)

Si vous ne parvenez pas à résoudre le problème ou en cas de panne, contactez votre revendeur Numatic ou le service d'assistance technique Numatic au +44 (0)1460 269268

Probleemoplossing



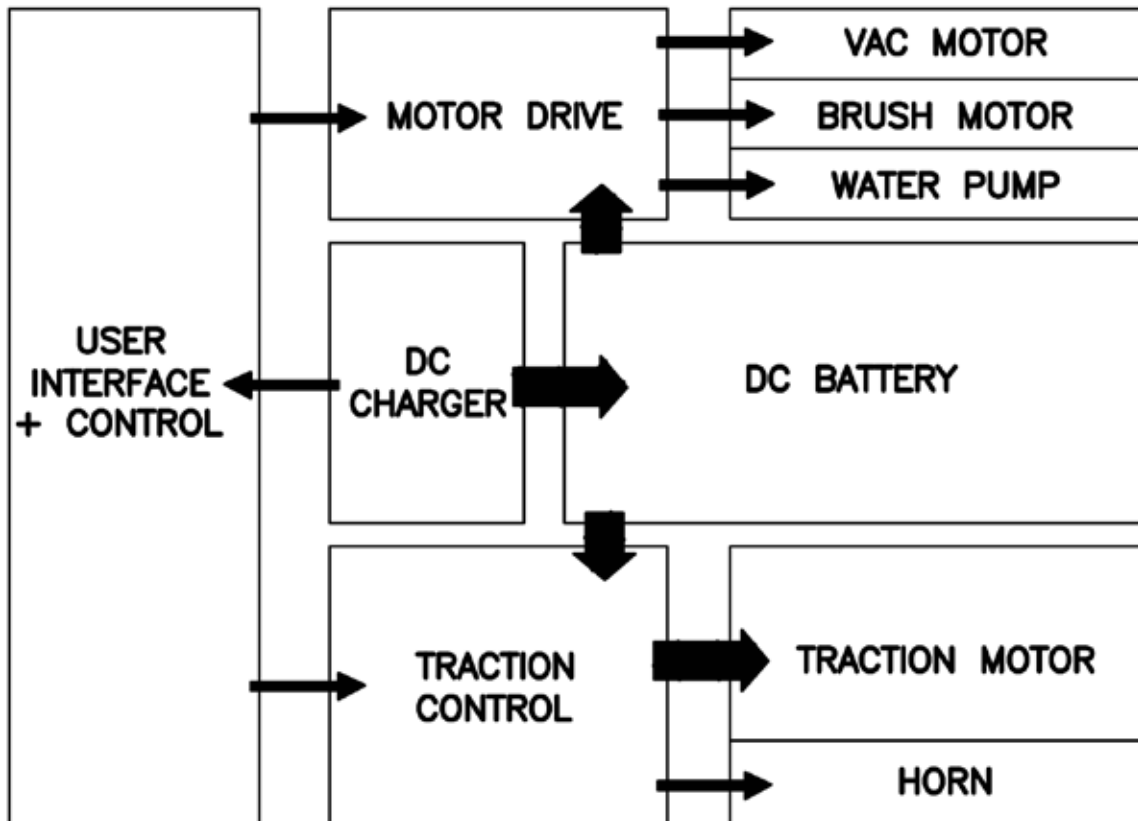
PROBLEEM	OORZAAK	OPLOSSING
De machine werkt niet	Zekeringen ontbreken of zijn gesprongen Sleutel staat in de "uit"-stand ("OFF") Laag acculaadniveau Blokkeerknop machine in "UIT"-modus ("OFF") Machine is aangesloten en wordt opgeladen	Installeer of vervang de zekering (pag. 17) Zet sleutel in de stand 'ON' (pag. 17) Laad accu's op (pag. 41) Reset stop-knop (pag. 27) Verwijder de laadsnoer (pag. 41)
De zuiger werkt niet	Het vloerelement staat omhoog Vuilwatertank is vol	Zet vloerelement omlaag (pag. 19) Maak de vuilwatertank leeg (pag. 33)
Water wordt slecht opgezogen	Vuilwatertank is vol Zuigslang is verstopt/geblokkeerd Slangaansluitingen zitten los Filtermandje is verstopt/geblokkeerd Luchtfilter scheider is verstopt/geblokkeerd Scheider is slecht afgedicht Afdichting scheider beschadigd Zuigslang gescheurd / beschadigd Wissers vloerelement beschadigd Laag acculaadniveau	Maak de vuilwatertank leeg (pag. 33) Verwijder en maak schoon (pag. 33) Druk de aansluitingen goed aan (pag. 31) Verwijder en maak schoon (pag. 35) Verwijder en maak schoon (pag. 33) Maak schoon en plaats terug (pag. 33) Vervang (neem contact op met servicedienst) Vervang (neem contact op met servicedienst) Vervang (neem contact op met servicedienst) Laad accu's op (pag. 41)
Borstel-/schrobfunctie werkt niet	Geen borstels gemonteerd Borstelplaat omhoog	Controleer en monteer (pag. 21) Laat borstelplaat zakken (pag. 21)
Geen of weinig watertoevoer	Schoonwatertank leeg Filter schoonwatertank geblokkeerd/verstopt Foutieve watertoevoeringinstelling Borstelplaat omhoog	Vul de schoonwatertank (pag. 23) Verwijder en maak schoon (pag. 35) Stel zo nodig af (pag. 25) Laat borstelplaat zakken (pag. 21)
De machine "stopt" gewoon tijdens het werken	Borstelsysteem te zwaar belast	Reset de machine met de sleutel en verlaag de belasting zodat die afgestemd is op de betrokken ondergrond (pag. 27)

Neem contact op met uw Numatic-handelaar of bel de technische hulplijn van Numatic op +44 (0)1460 269268 als u het probleem niet kunt verhelpen of de machine dienst weigert.

Specifications

Model - CRO 8055							
<i>(Empty) Net Weight</i> 120 A/Hr	<i>Brush Weight</i>	<i>Brush Width</i>	<i>Brush Pressure</i>	<i>Pad Width</i>	<i>Pad Pressure</i>	<i>Brush Motor</i>	<i>Vac motor</i>
200 kg	23 kg	550 mm	11.4 G/cm ²	508 mm	9.3 G/cm ²	24 V 600 W	24 V 400 W
<i>Transaxle</i>	<i>Run Time</i> 2 x 120 A/Hr	<i>Run Time</i> 2 x 100 A/Hr	<i>Total Battery Weight</i> 120 A/Hrs	<i>Total Battery Weight</i> 100 A/Hrs	<i>Charge Times</i> 2 x 120 A/Hrs		<i>Charge Times</i> 2 x 100 A/Hrs
24 V 400 W	3 Hrs	2 Hrs	74 kg (163 lbs)	62 kg (136 lbs)	10A = 12 Hrs 20A = 7 Hrs 35A = 4.5 Hrs		10A = 8 Hrs 20A = 5-6 Hrs 35A = 3-4 Hrs
<i>Brush Speed</i>	<i>AirFlow</i>	<i>Transit Speed</i>	<i>Capacity</i>	<i>Water Flow Rates</i>	<i>Cleaning Area</i>	<i>Sound Pressure</i>	<i>Hand Arm Vibration</i>
150 rpm	24.2 L/sec	0-6 Km/hr	80L / 80L	0.5 / 1.0 / 1.5 2.0 / 3.0 l/min	1700m ² @ 3.5 K/Hr	≤ 70dB (A)	Travelling (Quarry Tiles) 1.84 m/s ² (Uncertainty 0.92 m/s ²) ISO 5439-1
<i>Whole Body Vibration</i>		<i>Height</i>		<i>Length</i>		<i>Width</i>	
Travelling (Quarry Tiles) 1.11 m/s ² (Uncertainty 0.56 m/s ²) ISO 2431-1		1160 mm		1460 mm		805 mm	

Schematic Diagram / Funktionsschema / Schéma / Schakelschema



CRO 8055



Modell - CRO 8055

(Leer) Nettogewicht 120 A/h	Bürstengewicht	Bürstenbreite	Bürstendruck	Pad-Breite	Pad-Druck	Bürstenmotor	Saugpumpenmotor
200 kg	23 kg	550mm	11.4 G/cm²	508mm	9.3 G/cm²	24V / 600W	24V / 400W
Getriebe	Laufzeit 2 x 120 A/h	Laufzeit 2 x 120 A/h	Akku-Gesamtgewicht 120 A/h	Akku-Gesamtgewicht 100 A/h	Ladezeiten 2 x 120 A/h	Ladezeiten 2 x 100 A/h	
24V 400W	3 Hrs	2 Hrs	74 kg (163 lbs)	62 kg (136 lbs)	10A = 12 Hrs 20A = 7 Hrs 35A = 4.5 Hrs	10A = 8 Hrs 20A = 5-6 Hrs 35A = 3-4 Hrs	
Bürstendrehzahl	Luftstrom	Fahrtgeschwindigkeit	Fassungsv ermög en	Wasserdurchflussmengen	Reinigungs-bereich	Schalldruck	Hand-Arm-Vibration
150 rpm	24.2 L/ sec	0-6 Km/hr	80L / 80L	0.5 / 1.0 / 1.5 2.0 / 3.0 l/min	1700m² @ 3.5 K/Hr	≤ 70dB (A)	Travelling (Quarry Tiles) 1.84 m/s² (Uncertainty 0.92 m/s²) ISO 5439-1
Gesamtkörper-Vibration			Höhe		Länge		Breite
Travelling (Quarry Tiles) 1.11 m/s² (Uncertainty 0.56 m/s²) ISO 2431-1			1160mm		1460mm		805mm

CRO 8055



Modèle - CRO 8055

(Vide) Poids net 120 A/h	Poids de la brosse	Largeur de la brosse	Pression de la brosse	Largeur de patin	Pression de patin	Moteur de brosse	Moteur d'aspiration
200 kg	23 kg	550mm	11.4 G/cm²	508mm	9.3 G/cm²	24V / 600W	24V / 400W
Boîte-pont	Temps de onctionnement 2 x 120 A/h	Temps de fonctionnement 2 x 120 A/h	Poids total des batteries 120 A/h	Poids total des batteries 100 A/h	Temps de charge 2 x 120 A/h	Temps de charge 2 x 100 A/h	
24V 400W	3 Hrs	2 Hrs	74 kg (163 lbs)	62 kg (136 lbs)	10A = 12 Hrs 20A = 7 Hrs 35A = 4.5 Hrs	10A = 8 Hrs 20A = 5-6 Hrs 35A = 3-4 Hrs	
Vitesse des brosses	Débit d'air	Vitesse de déplacement	Capacité	Débits d'eau	Zone de nettoyage	Pression acoustique	Vibrations main-bras
150 rpm	24.2 L/ sec	0-6 Km/hr	80L / 80L	0.5 / 1.0 / 1.5 2.0 / 3.0 l/min	1700m² @ 3.5 K/Hr	≤ 70dB (A)	Travelling (Quarry Tiles) 1.84 m/s² (Uncertainty 0.92 m/s²) ISO 5439-1
Vibrations de l'ensemble du corps			Hauteur		Longueur		Largeur
Travelling (Quarry Tiles) 1.11 m/s² (Uncertainty 0.56 m/s²) ISO 2431-1			1160mm		1460mm		805mm

CRO 8055



Model - CRO 8055

(Ledig) Nettogewicht 120 A/h	Gewicht borstel	Breedte borstel	Borsteldruk	Breedte schuimkussen	Druk schuimkussen	Borstelmotor	Zuigmotor
200 kg	23 kg	550mm	11.4 G/cm²	508mm	9.3 G/cm²	24V / 600W	24V / 400W
Transas	Looptijd 2 x 120 A/h	Looptijd 2 x 120 A/h	Totaal gewicht accu's 120 A/h	Totaal gewicht accu's 100 A/h	Laadtijd 2 x 120 A/h		Laadtijd 2 x 100 A/h
24V 400W	3 Hrs	2 Hrs	74 kg (163 lbs)	62 kg (136 lbs)	10A = 12 Hrs 20A = 7 Hrs 35A = 4.5 Hrs		10A = 8 Hrs 20A = 5-6 Hrs 35A = 3-4 Hrs
Borstelsnelheid	Luchtstroming	Transportsnelheid	Capaciteit	Waterdebiet	Werkzone	Geluidsdruk	Trilling handen/armen
150 rpm	24.2 L/sec	0-6 Km/hr	80L / 80L	0.5 / 1.0 / 1.5 2.0 / 3.0 l/min	1700m² @ 3.5 K/Hr	≤ 70dB (A)	Travelling (Quarry Tiles) 1.84 m/s² (Uncertainty 0.92 m/s²) ISO 5439-1
Trilling hele lichaam			Hoogte		Lengte		Breedte
Travelling (Quarry Tiles) 1.11 m/s² (Uncertainty 0.56 m/s²) ISO 2431-1			1160mm		1460mm		805mm

Spare Parts

Part No.	SPARES /CONSUMABLES
606028	550MM POLYSCRUB BRUSH
606550	550MM NYLOSCRUB BRUSH
900526	500MM NULOC2 DRIVE BOARD
Part No.	SQUEEGEE
599469	COMPLETE 650MM SQUEEGEE ASSEMBLY
900518	SQUEEGEE BLADE SET - SERILOR PU GREEN FR & RR
208497	SQUEEGEE CASTOR
206953	DETENT PIN
208796	SQUEEGEE BUFFER WHEEL
604013	SQUEEGEE LIFT INNER CABLE KIT
208156	M6 PINCH BOLT
Part No.	PUMP AND FILTER
230278	WATER PUMP
208888	EXTENDED FILTER COMPLETE ASSEMBLY
208827	STRAINER BLACK TOP
208889	EXTENDED STRAINER 50 MESH SCREEN
208830	STRAINER GASKET
208890	68MM EXTENDED STRAINER CLEAR BOWL
Part No.	HOSES
208188	SQUEEGEE SUCTION HOSE
237718	3 RING HOSE GUIDE
208938	BOTTOM TANK DUMP HOSE
208866	TOP TANK DUMP HOSE
206842	FILLER STRETCH HOSE
Part No.	TOP TANK
207000	GRIT FILTER BASKET
208861	AIR-FILTER
208980	CRO FOAM PAD
304503	SEPARATOR SEAL STRIP 1045MM LONG
208862	SEAT PAD
208864	BACK PAD
208867	BEACON LIGHT
208907	GAS STRUT (100NM)
Part No.	BOTTOM TANK & STEERING COLUMN
237685	BOTTOM TANK SCUFF MOULDING LEFT HAND
237684	BOTTOM TANK SCUFF MOULDING RIGHT HAND
303942	DECK BUFFER WHEEL
208985	LIFT HANDLE NYLON GUIDER
392438	BOTTLE PLATE
208897	STEERING DRIVE BELT
204120	FRONT WHEEL
901209	REAR WHEELS
237609	SPLASH SKIRT

CE 16 **EU DECLARATION OF CONFORMITY**

We hereby declare under our sole responsibility that the following equipment fulfils all the relevant provisions of the following EU Directives:

Machinery Directive 2006/42/EC
 EMC Directive 2014/30/EU
 RoHS Directive 2011/65/EU

Machine Description: **Scrubber Dryer**
Type: TTV, TRO, CRO series

Manufactured by: Numatic International Limited


Relevant standards upon which conformity is declared include:


IEC 60335-1 2001 + A1 2004 + A2 2006 + National Deviations
 IEC 60335-2.72 Ed 2.0

EN 55014-1:2006
 EN55014-2:1997+A1
 EN61000-3-2:2006
 EN61000-3-3:1995+A1+A2
 BS EN 62233:2008

A technical construction file for this equipment is retained at the manufacturer's address under the authorisation of the following signatory:

Name: Allyn Boyes **Position:** Technical Manager

Signed:  Date: 20/04/2016

 Numatic International Limited,
 Chard, Somerset.
 TA20 2GB
 www.numatic.co.uk **GB**

CE 16 **EU Konformitätserklärung**

Wir erklären in alleiniger Verantwortung, dass die folgenden Geräte alle einschlägigen Bestimmungen der folgenden EU-Richtlinien erfüllen:

Maschinenrichtlinie 2006/42/EC
 EMC Richtlinie 2014/30/EU
 RoHS Richtlinie 2011/65/EU

Maschinenbezeichnung: **Scheuersaugmaschine**
Typ: TTV, TRO, CRO series

Hersteller: Numatic International Limited


Relevante Normen auf die Konformität erklärt wird beinhalten


IEC 60335-1 2001 + A1 2004 + A2 2006 + Nationale Abweichungen
 IEC 60335-2.72 Ed 2.0

EN 55014-1:2006
 EN55014-2:1997+A1
 EN61000-3-2:2006
 EN61000-3-3:1995+A1+A2
 BS EN 62233:2008

Eine technische Dokumentation für diese Geräte wird an der Adresse des Herstellers unter der Verantwortung des Unterzeichners aufbewahrt:

Name: Allyn Boyes **Stellung:** Technischer Leiter

Unterschrift:  Datum: 20/04/2016

 Numatic International Limited,
 Chard, Somerset.
 TA20 2GB
 www.numatic.co.uk **DE**

CE 16 **DECLARATION DE CONFORMITE EUROPEENNE**

Nous soussignés déclarons sous notre seule et unique responsabilité que les équipements suivants remplissent toutes les dispositions concernant les directives européennes suivantes.

Machinery Directive 2006/42/EC
 EMC Directive 2014/30/EU
 RoHS Directive 2011/65/EU

Description Machine: **Autolaveuse**
Type: TTV

Fabriqué par: Numatic International Limited

La présente conformité inclus les normes d'applications suivantes:

IEC 60335-1 2001 + A1 2004 + A2 2006 + Dérogations Nationales
 IEC 60335-2.72 Ed 2.0

EN 55014-1:2006
 EN55014-2:1997+A1
 EN61000-3-2:2006
 EN61000-3-3:1995+A1+A2
 BS EN 50366:2003

Un dossier technique concernant la fabrication de cet équipement est conservé au siege social du fabricant sous l'autorisation du signataire suivant.

Nom: Allyn Boyes **Position:** Responsable Technique

Signé par:  Date: 20/04/2016

 Numatic International Limited,
 Chard, Somerset.
 TA20 2GB
 www.numatic.co.uk **FR**

CE 16 **EU CONFORMITEITSVERKLARING**

Wij verklaren hierbij dat de volgende producten zijn ontwikkeld en geproduceerd in overeenstemming met de volgende normen en voorschriften:

Machine richtlijn 2006/42/EC
 EMC Richtlijn 2014/30/EU
 RoHS Richtlijn 2011/65/EU

Omschrijving machine: **Schrob-zuigautomaat**
Model: TTV, TRO, CRO series

Gefabriceerd door: Numatic International Limited

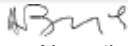
Relevante normen waarop de conformiteit is verklaard, zijn inclusief:

IEC 60335-1 2001 + A1 2004 + A2 2006 + Nationale afwijkingen
 IEC 60335-2.72 Ed 2.0

EN 55014-1:2006
 EN55014-2:1997+A1
 EN61000-3-2:2006
 EN61000-3-3:1995+A1+A2
 BS EN 62233:2008

Technische specificaties m.b.t. de constructie van deze machines worden bewaard bij de fabrikant onder de verantwoordelijkheid van hieronder vermelde persoon:

Naam: Allyn Boyes **Functie:** Manager Technical

Ondertekend:  Datum: 20/04/2016

 Numatic International Limited,
 Chard, Somerset.
 TA20 2GB
 www.numatic.co.uk **NL**

This machine has been packed with the following:
Charging Lead
Fuses
Keys
Signed

CRO 8055/100T
CRO 8055/120T



Distributed by

This Product has been comprehensively inspected and checked during every stage of its manufacture. including an in-depth electrical safety and functionality test.



Numatic International Limited, Chard, Somerset, TA20 2GB, ENGLAND.
Telephone 01460 68600 Fax: 01460 68458 www.numatic.co.uk



Numatic International GmbH, Fränkische Straße 15-19,
30455 Hannover, DEUTSCHLAND.
Tel: 05 11 98 42 16 0 Fax: 05 11 98 42 16 20 www.numatic.de



Numatic International S.A.S, 13/17 rue du Valengelier, EAE la Tuilerie, 77500
Chelles, FRANCE. Tel: 01 64 72 61 61 Fax: 01 64 72 61 62 www.numatic.fr



BeNeLux Distribution, Numatic International BV, Postbus 101, 2400 AC
Alphen den Rijn, NEDERLAND. Tel: 0172 467 999 Fax : 0172 467 970
www.numatic.nl



Numatic International (Pty.) Ltd. 16th & Pharmaceutical Roads,
Midrand, Gauteng, S.A. 1685. Tel: 0861 686 284 Fax: 0861 686 329
www.numatic.co.za

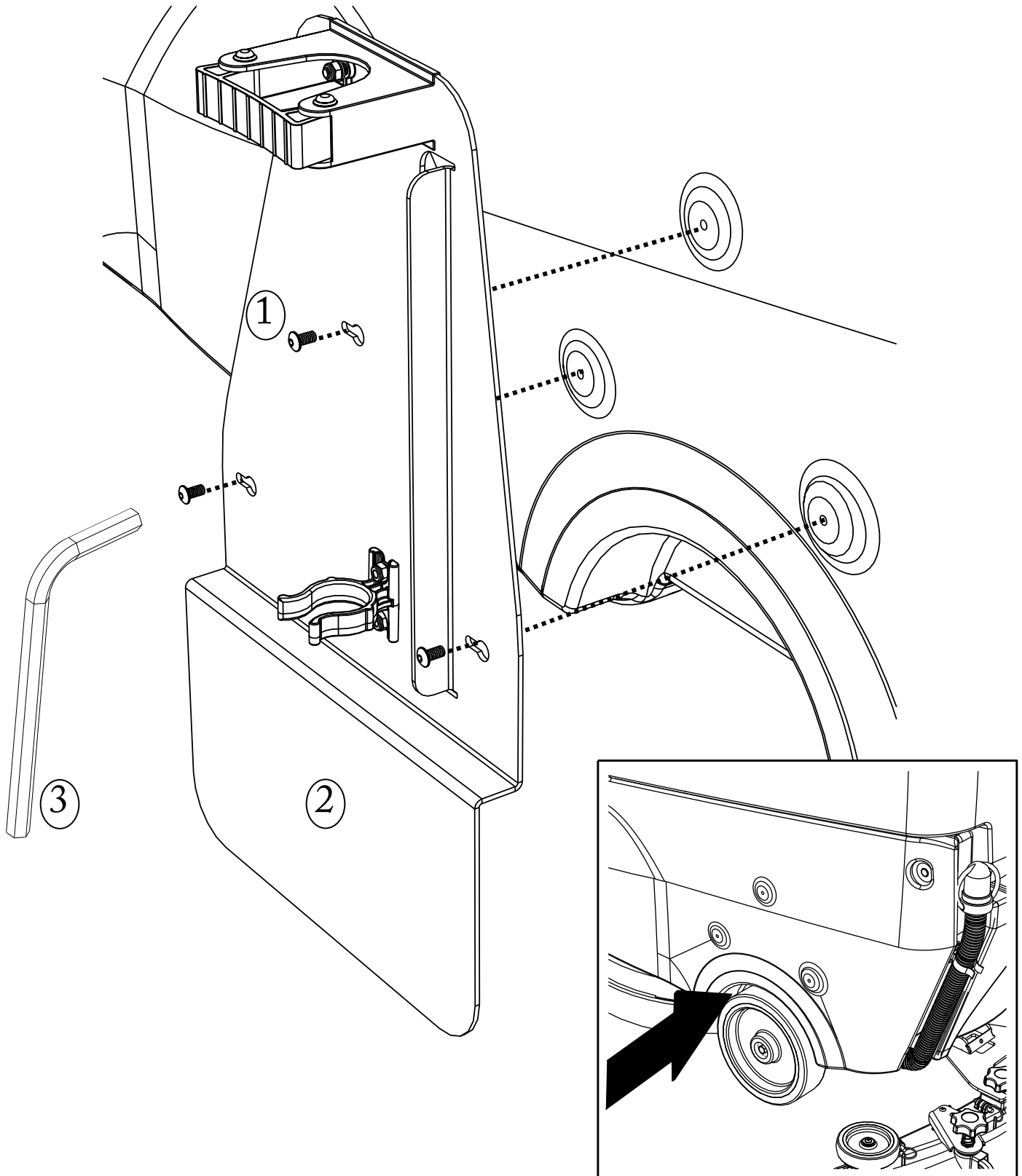


Numatic International Schweiz AG. Sihlbruggstrasse 142,
6340 Baar. SCHWEIZ. Tel: 0041 (0) 41 76 80 76 - 0.
Fax: 0041 (0) 41 76 80 76 - 9. www.numatic.ch

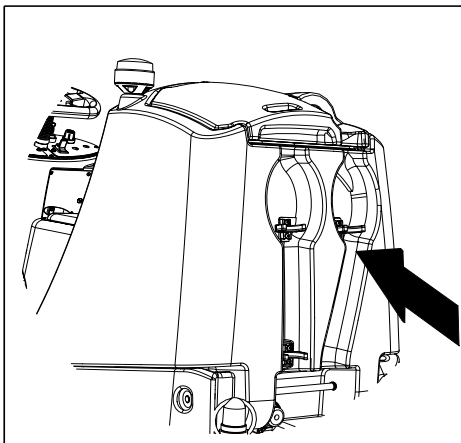


Numatic International ULDA. Centro de Negócios da Maia,
Rua Albino José Domingues, n.º 581, 4470 - 034 Maia, PORTUGAL
Tel:+351 220 047 700 Fax:+351 220 047 704 www.numatic.pt

SPRAYMOP ACCESSORY KIT

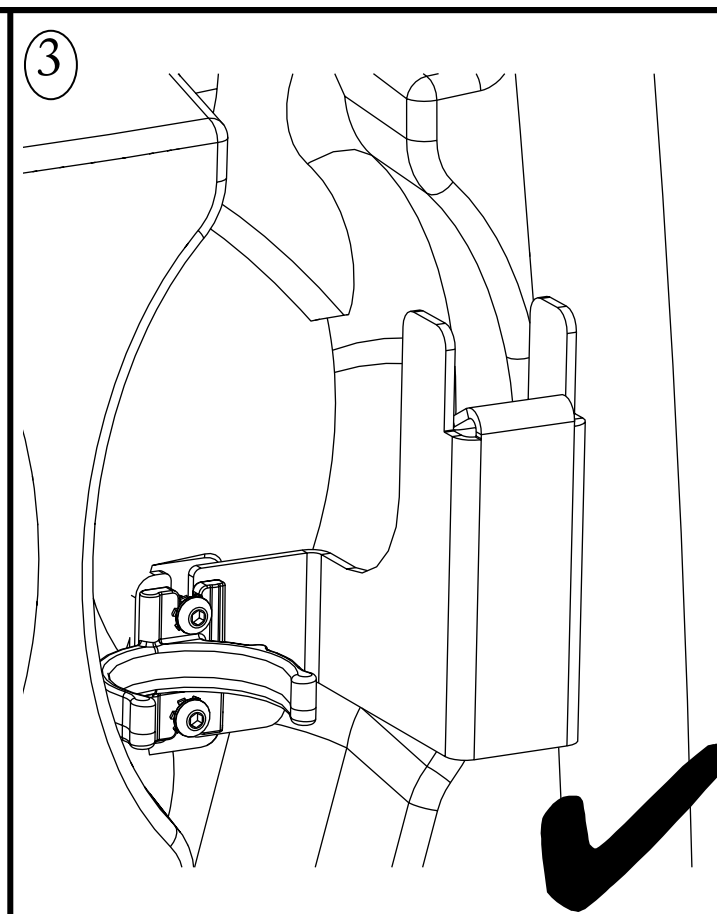
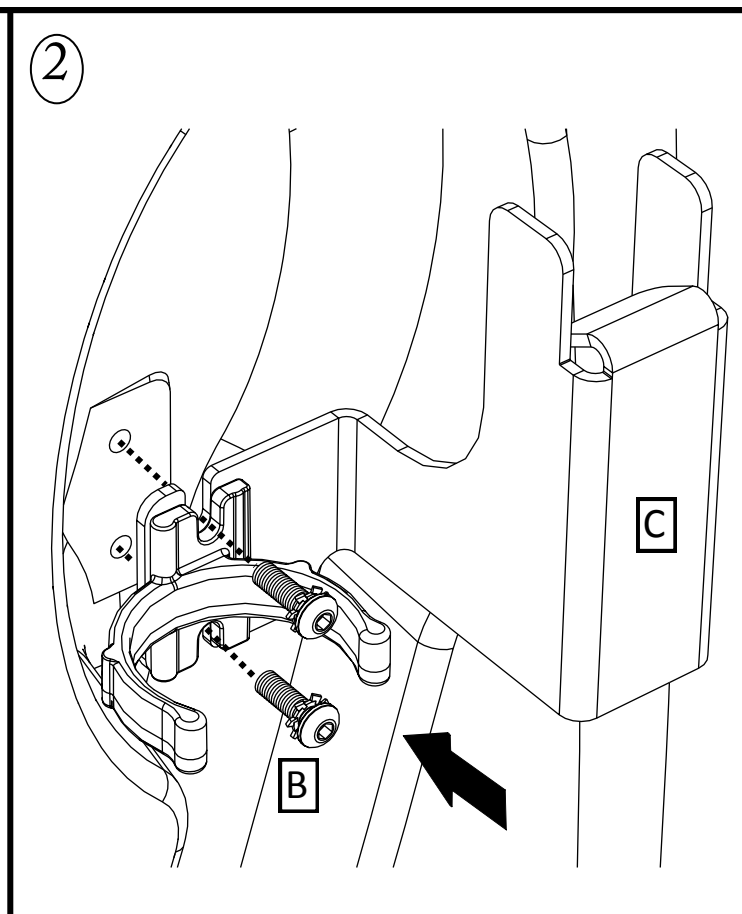
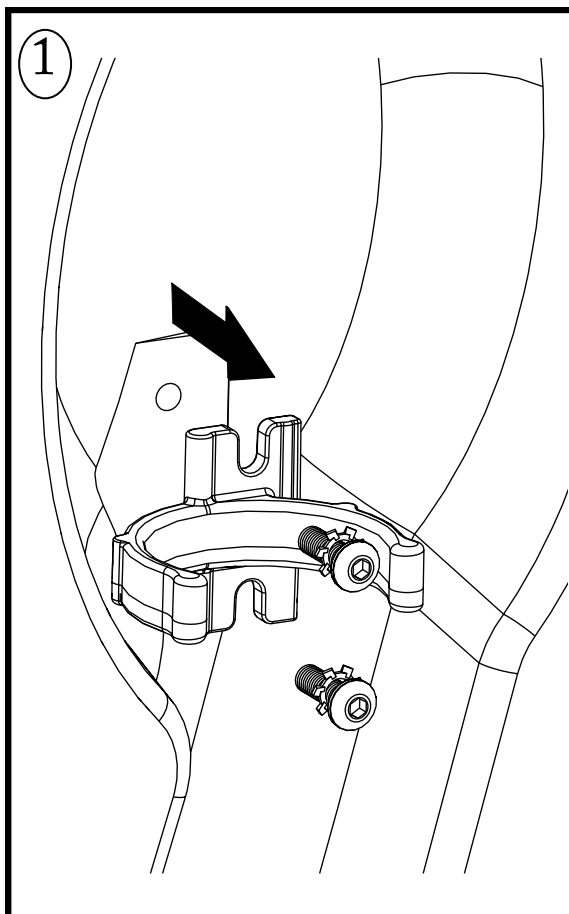
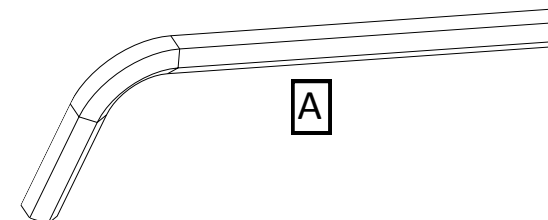


903182 CRO SPRAY MOP BRACKET KIT			
1	291004	M5 HEX CAP	X 3
2	902937	BRACKET	X 1
3	903029	ALLEN KEY	X 1



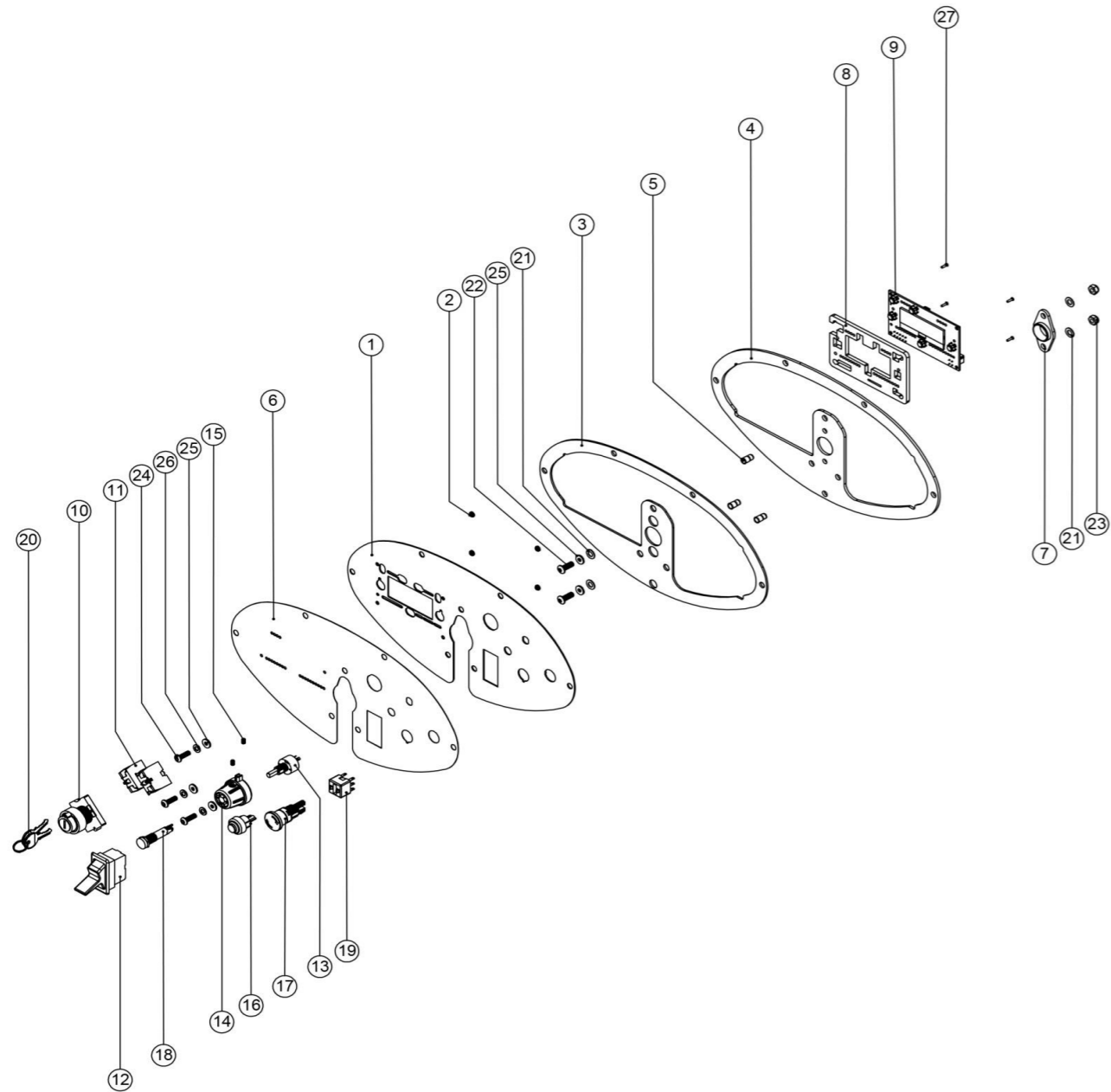
CRO WANDER TOOL ACCESSORY KIT

	903183	CRO WANDER TOOL ACESORY KIT	
A	903029	ALLEN KEY	X 1
B	291160	M5 X 12MM BUTTON HEAD SCREW	X 1
C	902035	CLIP BRACKET	X 1



Baugruppe Display

Zeichnungsnummer DRW-17585-A03 vom 15.05.2015

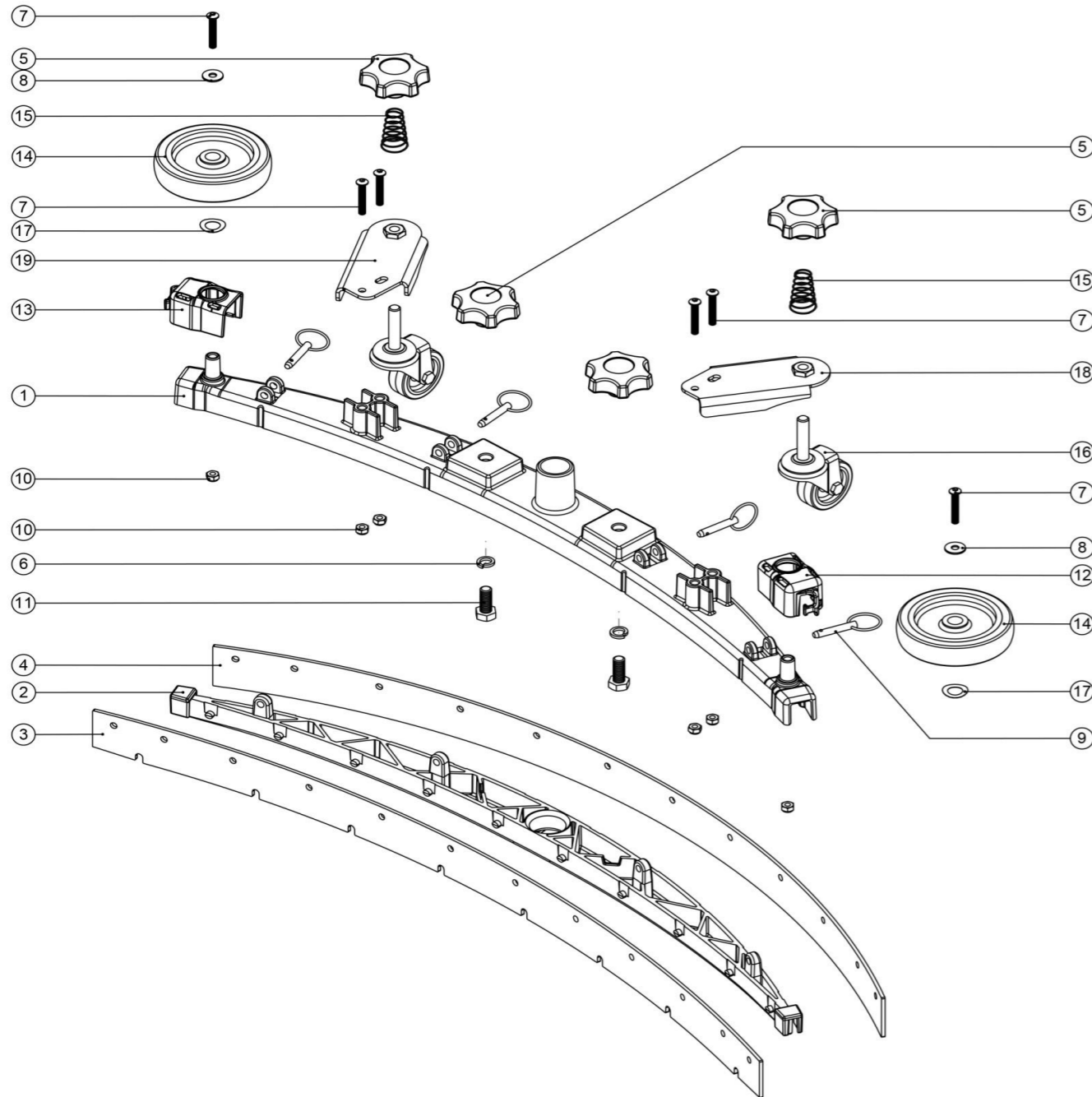


Pos. Artikel - Nr. Bezeichnung

Pos.	Artikel - Nr.	Bezeichnung
1	392429	Grundplatte Display silber CRO
2	291011	Nietmutter M2
3	203039	Dichtung für Bedienfeld CRO
4	392426	Halterahmen für Bedienfeld CRO
5	219558	VA - Mutter M5
6	208979	Display CRO
7	208110	Lager für Lenkung TTV678/TRO650
8	392424	Rahmen für Displayelektronik CRO
9	230275	Displayelektronik CRO8055/120T
	280020	Displayelektronik CRO8055/100
10	208138	Schlüsselschalter mit 2 Schlüsseln für TTV
11	208137	Kontaktblock TTV-Schlüsselschalter
12	206933	Fahrtrichtungsschalter TTV
13	270316	Potentiometer TRO
14	329363	Einstellknopf für Geschwindigkeitsregler
15	219744	Madenschraube M 4 x 6
16	229454	Druckschalter z.B. Deichselüberwachung und TTV 5565 Abstreiferheber
17	206901	Notausschaltertaste Ø 24mm TTV
18	270291	Glimmlampe grün, mit Vorwiderstand
19	208458	Schalterblock TTV 5565
20	208167	Ersatzschlüssel (2 Stück) TTV, gekennzeichnet mit 455
21	219560	VA - U-Scheibe M 6 Form B
22	291113	VA - Schraube M6 x 16
23	219642	VA - Sicherungsmutter M 6
24	219785	VA-Schraube M5 x 16mm
25	219462	Gummischeibe, schwarz
26	219355	VA - U-Scheibe M 5 Form A (klein)
27	291172	VA-Schraube M2 X 8mm

Baugruppe Abstreifer

Zeichnungsnummer DRW-17997-A01 vom 07.10.2014



Pos. Artikel - Nr. Bezeichnung

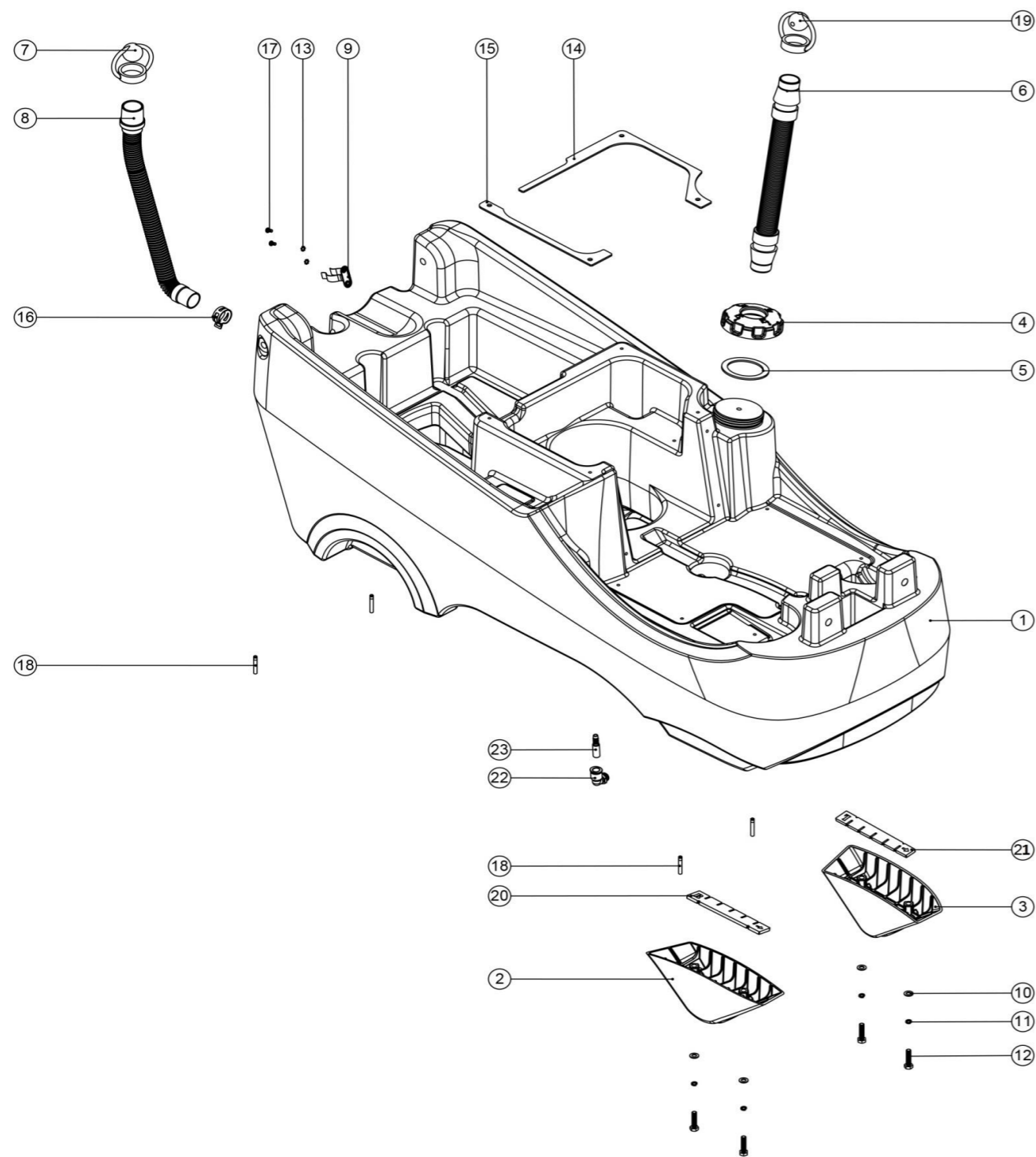
1	208198	Abstreiferhalterung aus Aluminium, 650mm breit, für 38mm Schlauch
2	229987	Gummilippenhalter Mitteleinsatz, 650mm breit
3	siehe unten	
4	siehe unten	
5	208354	Rändelmutter M 10
6	219899	VA - Federring M 10
7	219933	VA - Linsenschraube mit Innensechskant M 6 x 35
8	219647	VA - U-Scheibe, groß M 6 Form G (6,4 x 25 mm)
9	206953	Splint für Aluminiumabstreifer
10	219642	VA - Sicherungsmutter M 6
11	219909	VA - Sechskantschraube M10 x 25mm
12	237322	Endkappe für Metallabstreifer rechts
13	237323	Endkappe für Metallabstreifer links
14	208796	Rad 100mm für Abstreifer
15	229175	Feder konisch
16	208497	Stützrad höhenverstellbar
17	219891	Unterlegscheibe, wellenform 13mm
18	304523	Halteplatte Stützrad rechts
19	304522	Halteplatte Stützrad links

Sauglippen

3	206977	PU-Gummilippe vorn (ca.820 mm) Abstreifer 650mm TTV/TT/TTB
4	206978	PU-Gummilippe hinten (ca.850mm) für Abstreifer 650mm TTV/TT/TTB
3	208199	PU-Gummilippe vorn (ca.820 mm) für 650mm-Abstreifer TTV/TT/TTB
4	208202	PU-Gummilippe hinten (ca.850mm) für 650mm-Abstreifer TTV/TT/TTB
3	208201	Naturgummilippe rot vorn (ca.820mm) für 650mm-Metallabstreifer
4	208203	Naturgummilippe rot, hinten (ca.850mm) für 650mm-Metallabstreifer
3	208967	Serilor-PU-Gummilippe grün vorn (ca.820mm) für 650mm-Metallabstreifer
4	208970	Serilor-PU-Gummilippe grün hinten (ca.850mm) für 650mm-Metallabstreifer

Baugruppe Frischwassertank

Zeichnungsnummer DRW-17607-A05 vom 29.06.2015

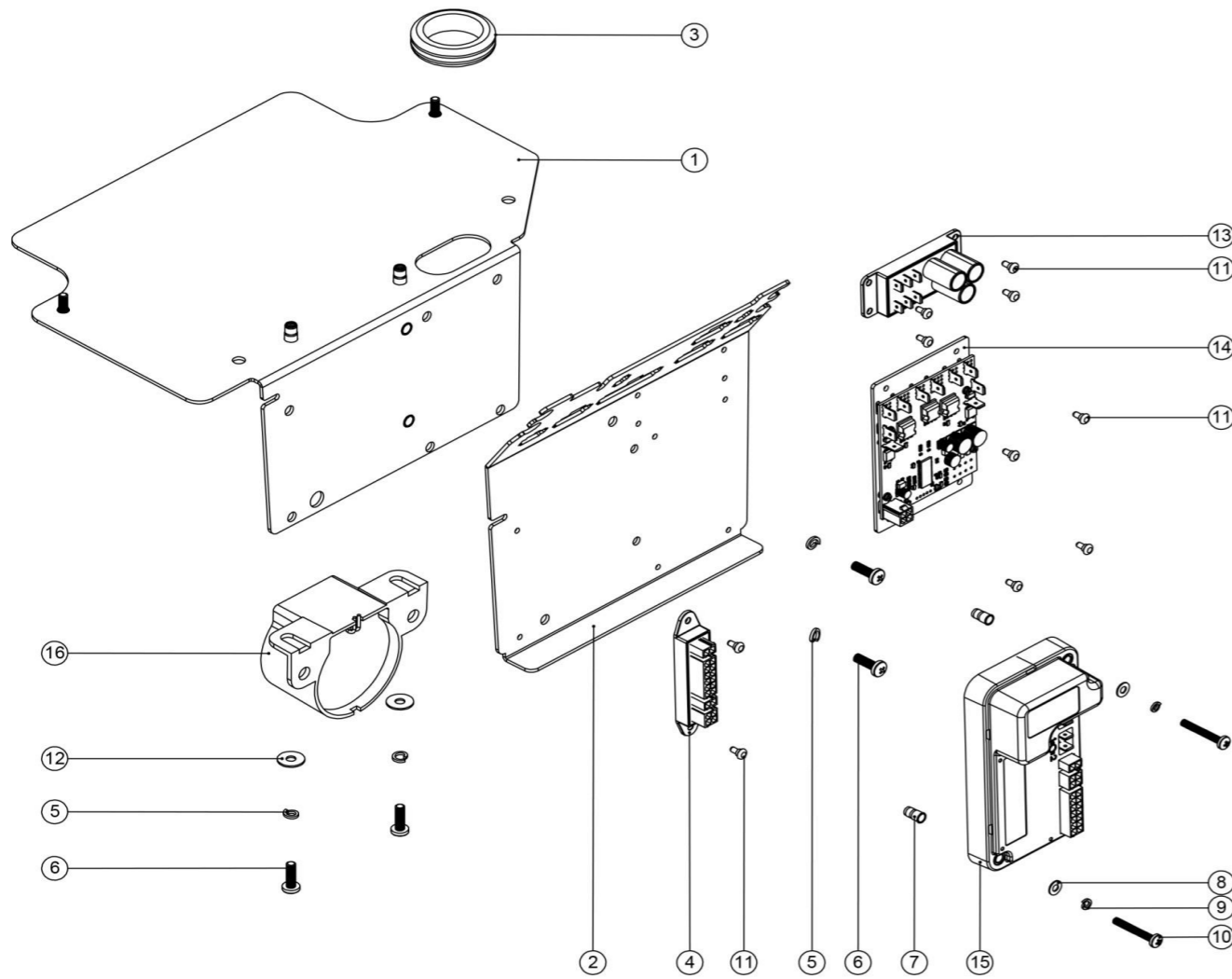


Pos. Artikel - Nr. Bezeichnung

Pos.	Artikel - Nr.	Bezeichnung
1	237682	Frischwassertank CRO
2	237684	Scheuerblock rechts CRO
3	237685	Scheuerblock links CRO
4	237174	Tankdeckel mit Loch
5	208564	Dichtungsring Tankdeckel
6	206842	Stretschlauch 420mm
7	206111	Schlauchverschluss (Ball)
8	208938	Frischwasserablaßschlauch CRO 25 mm x 455 mm
9	206818	Schlauchclip z.B. für TTV
10	219578	VA - U-Scheibe M 8 Form A
11	219898	VA - Federring M 8
12	291112	VA - Schraube M8 x 40
13	291020	VA-Unterlegscheibe M 5
14	203027	Dichtung für Trägerplatte Pumpe links CRO
15	203028	Dichtung für Trägerplatte Pumpe rechts CRO
16	208471	Schlauchschelle
17	291004	VA - Halbrundkopfschraube M 5 x 10 mit Innensechskant
18	291158	VA - Schraube M6 x 40 mm
19	304439	Schlauchverschluss (Ball) mit Loch
20	392464	Abstandhalter für Scheuerblock rechts CRO
21	392465	Abstandhalter für Scheuerblock links CRO
22	901539	Winkelverbinder 90°, Steckverbinder 12mm
23	901534	Steckverbinder 12mm Ø

Ladeeinheit CRO

Zeichnungsnummer DRW-17539-A05 vom 15.05.2015

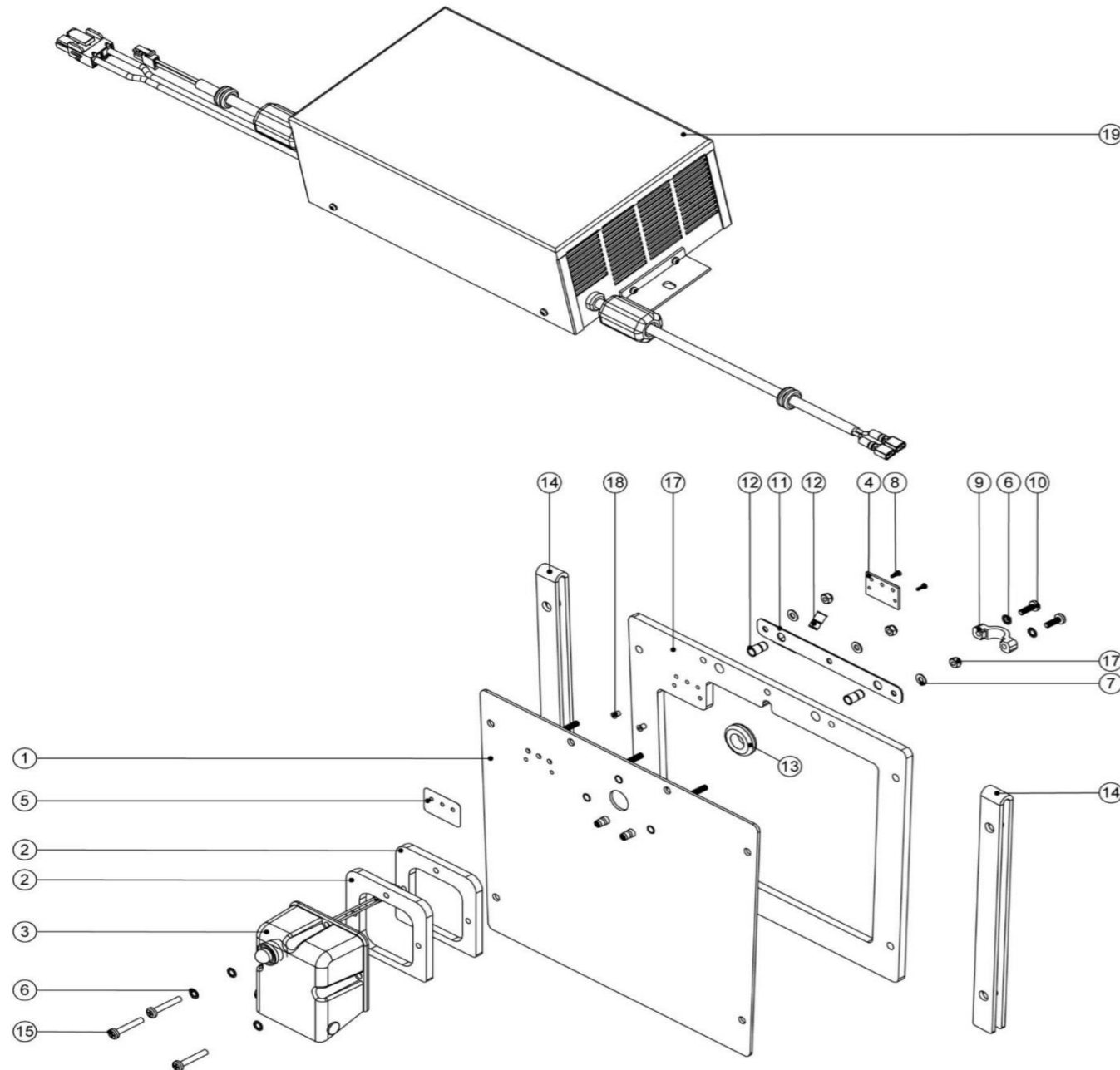


Pos. Artikel - Nr. Bezeichnung

Pos.	Artikel - Nr.	Bezeichnung
1	392458	Trägerplatte Ladegerät und Elektronik CRO
2	392420	Halteplatte Elektronik CRO
3	208029	Schutztülle
4	208909	Klemmblock Elektronik CRO
5	219861	VA - Federring M 5
6	219547	VA - Kreuzschlitzschraube M 5 x 16
7	291148	VA - Mutter M4
8	219688	VA - Unterlegscheibe M 4 Form A
9	291146	VA - Federring M4
10	219913	VA - Schraube M4 x 30 POZI
11	208963	Kunststoffstecker schwarz
12	219644	VA - U-Scheibe M 5 Form G (groß)
13	208988	Kondensator für Elektronik CRO
14	280004	Leistungselektronik CRO
15	330196	Steuerelektronik CRO
16	323263	Signalhorn

Lademodul CRO 8055

Zeichnungsnummer DRW-17570_A01 vom 08.12.2014



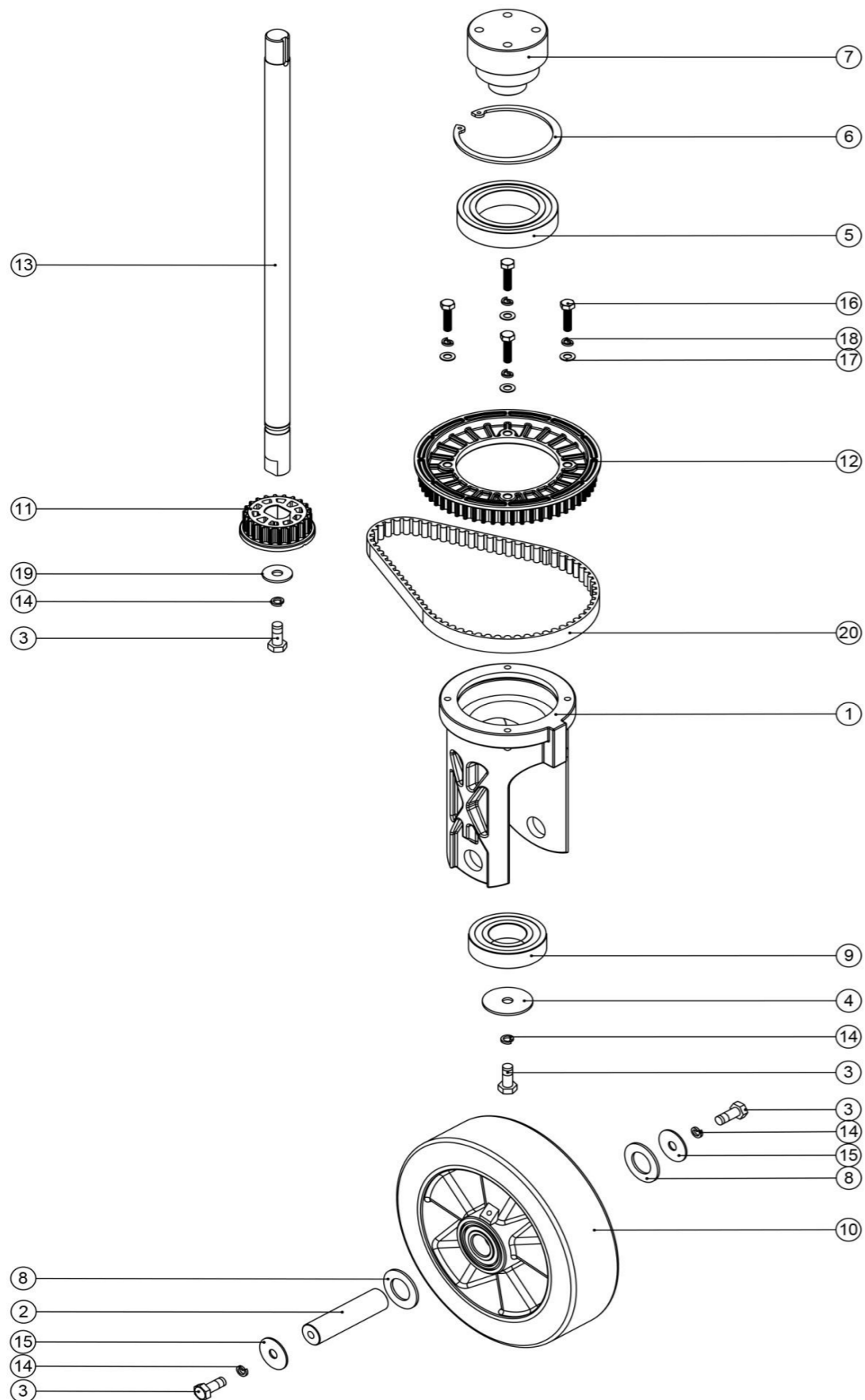
Pos.	Artikel - Nr.	Bezeichnung
1	330202	Trägerplatte für Ladestecker CRO
2	329595	Halterahmen Ladestecker CRO
3	329356	Anschlußbox Ladekabel 220V
4		entfällt
5		entfällt
6	291145	VA - Federring M4
7	219688	VA - Unterlegscheibe M 4 Form A
8	219978	VA - Schraube M2 x 6 mm POZI
9	227564	Befestigungsschelle für Nucable-Stecker
10	219890	VA - Kreuzschlitzschraube M 4 x 12
11	392502	Erdungsplatte CRO
12	219558	VA - Mutter M5
13	219735	Gummiring
14	280008	Dichtung Trägerplatte Ladestecker CRO
15	291165	VA - Schraube M4 x 25 mm POZI
16	219687	VA - Sicherungsmutter M 4
17	392456	Halterahmen für Trägerplatte CRO
18	291115	M2 x 4.2 mm LONG TAPPEX (071M2)
19	901354	Lademodul CRO (Nord)

Baugruppe Lenkeinheit CRO

Zeichnungsnummer DRW-15527-A03 vom 15.05.2015

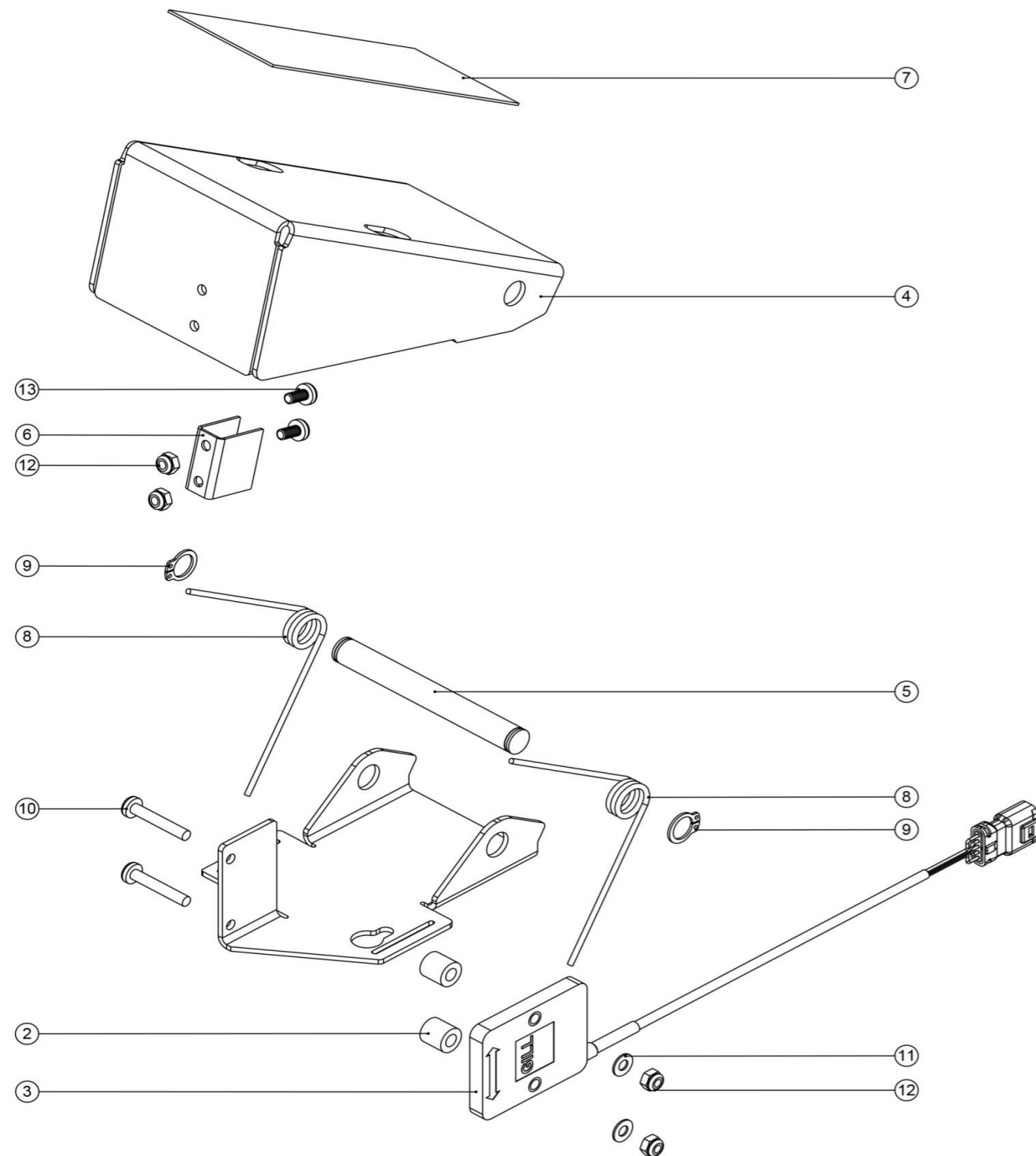
Pos. Artikel - Nr. Bezeichnung

Pos.	Artikel - Nr.	Bezeichnung
1	208869	Aufnahme Vorderrad CRO
2	291110	Achse Lenkrad 20 mm x 77 mm
3	291140	VA - Schraube M8 x 20 mm
4	392381	Karosseriescheibe M8
5	208871	Kugellager
6	208872	80 mm Innen-Sicherungsring
7	291109	Zapfen für Lenkeinheit CRO
8	291162	VA - U-Scheibe M20 FORM B
9	208878	Kugellager 30 mm x 62 mm
10	204120	Vorderrad Alu 200 x 50 mm CRO
11	237679	kleine Zahnriemenscheibe 22 Zähne
12	237680	große Zahnriemenscheibe 56 Zähne
13	291108	Untere Lenkstange
14	219898	VA - Federring M 8
15	219877	VA - Scheibe M 8 x 30 Ø
16	219925	VA - Schraube M6 x 25 mm
17	219560	VA - U-Scheibe M 6 Form B
18	219718	VA - Federring M 6
19	219716	VA - Unterlegscheibe M 8 Form G
20	208897	Zahnriemen für Lenkung CRO



Baugruppe Pedal

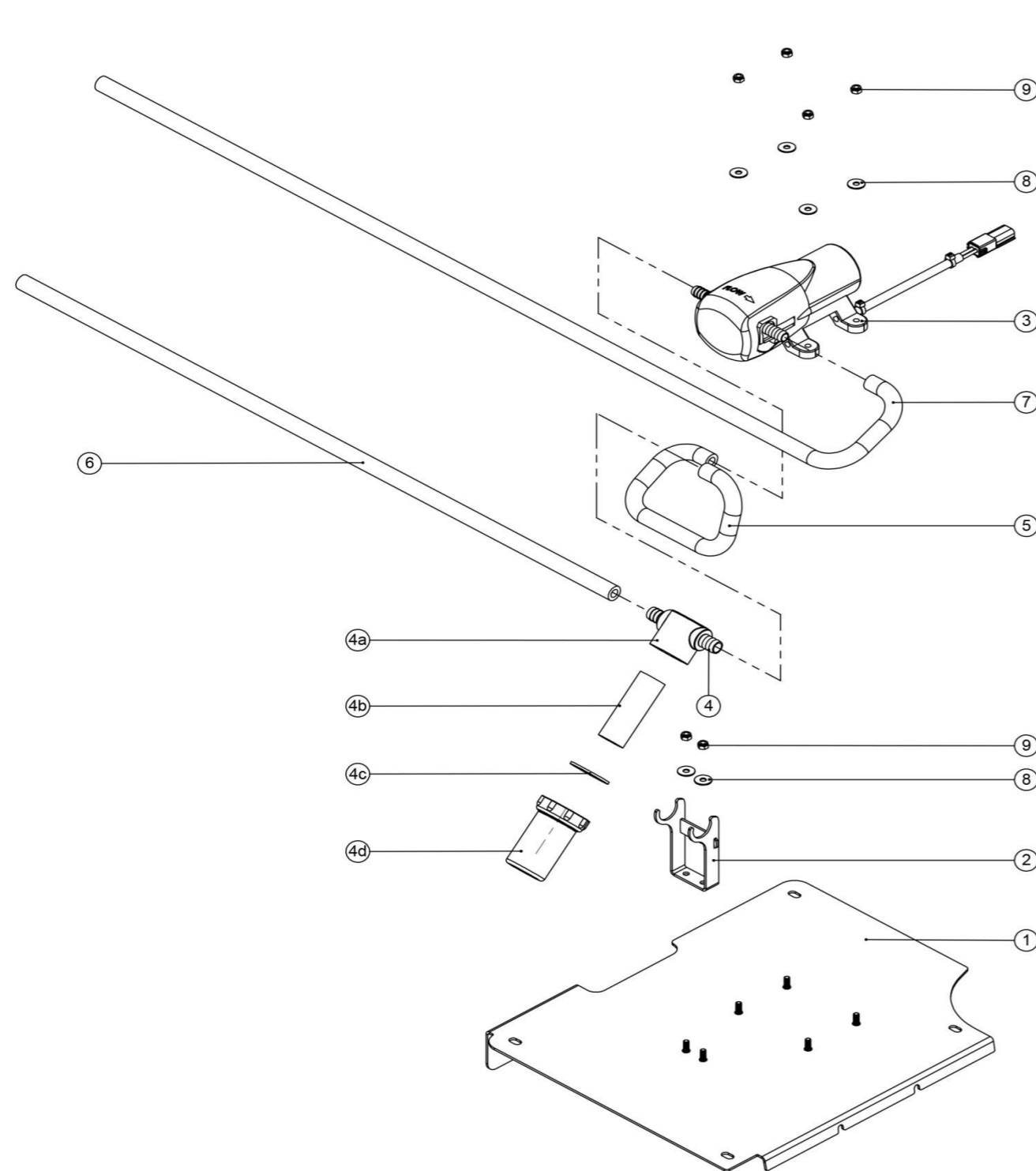
Zeichnungsnummer DRW-18638-A03 vom 15.05.2015



Pos.	Artikel - Nr.	Bezeichnung
1	329841	Ramenplatte Fahrpedal CRO
2	219574	Nylon-Distanzstück
3	323285	Sensorbaugruppe Fahrpedal CRO
4	329840	Fahrpedal Oberteil CRO
5	208046	Achse Gaspedal TTV
6	404051	Haltelamelle für Fahrhebelsensor
7	391222	Auflage Gaspedal , rutschfest TTV
8	208047	Torsionsfeder Gaspedal TTV
9	219586	Seegerring 10 mm
10	291165	VA - Schraube M4 x 25 mm POZI
11	219688	VA - Unterlegscheibe M 4 Form A
12	219687	VA - Sicherungsmutter M 4
13	219697	VA - Kreuzschlitzschraube M 4 x 8

Baugruppe Pumpe und Frischwasserfilter CRO

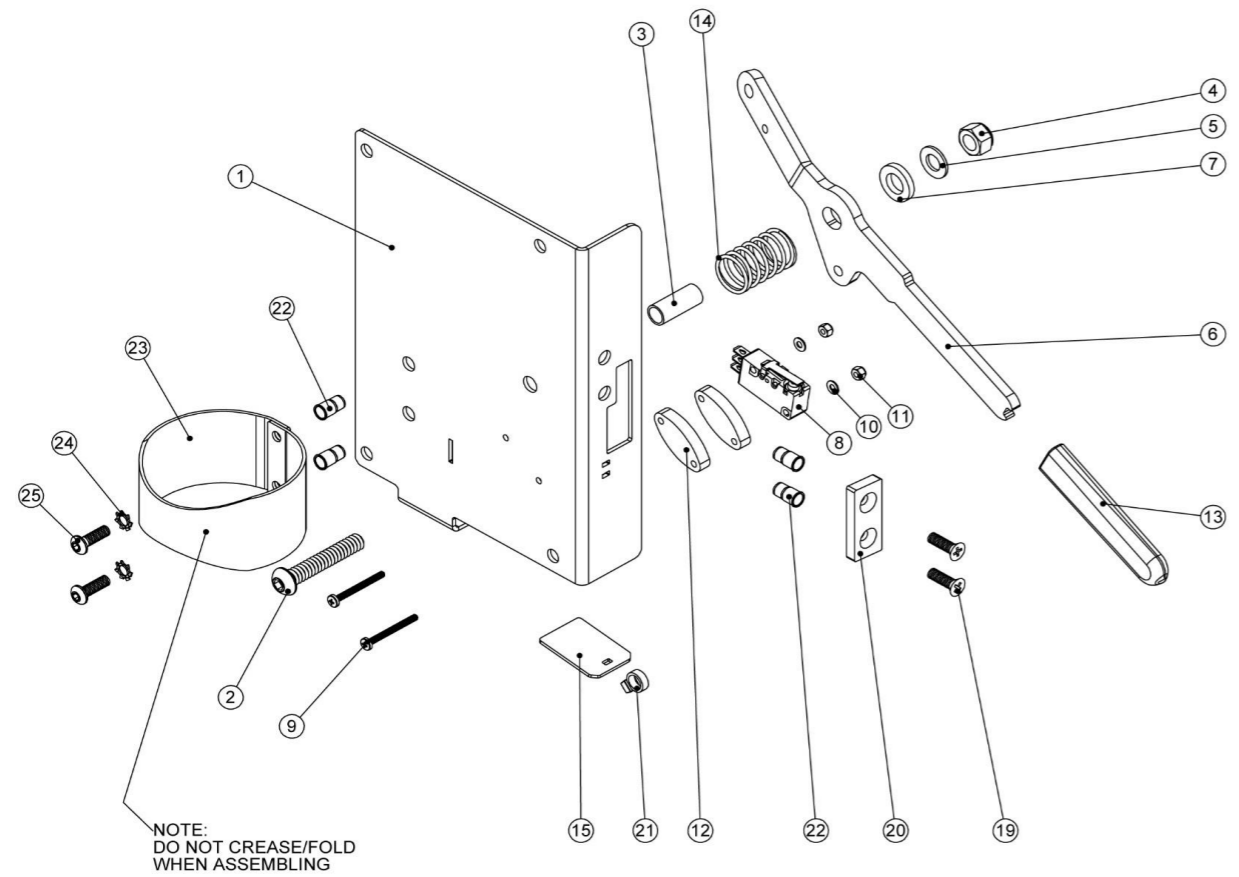
Zeichnungsnummer DRW-17506-A04 vom 15.05.2015



Pos. Artikel - Nr. Bezeichnung

Pos.	Artikel - Nr.	Bezeichnung
1	392419	Halteplatte Pumpe und Frischwasserfilter CRO
2	304521	Haltebügel Frischwasserfilter CRO
3	230278	Frishwasserpumpe CRO
4	208888	Frishwasser Filter komplett
4a	208827	Oberteil schwarz für Frishwasserfilter ET/ETB/TT/TTB 4045/4055
4b	208889	Frishwasserfilter(Sieb 50 Mesh)
4c	208830	Dichtung für Frishwasserfilter ET/ETB/TT/TTB 4045/4055
4d	208890	Schauglas Frishwasserfilter
5	391525	Frishwasserschlauch CRO 300 mm
6	391526	Frishwasserschlauch CRO 700 mm
7	391527	Frishwasserschlauch CRO 980 mm
8	219644	VA - U-Scheibe M 5 Form G (groß)
9	219633	VA - Sicherungsmutter M 5

NB: FOR WIRING SEE DRAWING: WD-0???



Saugbalkenverstellung Lenksäule CRO

Zeichnungsnummer DRW-16175-01.08 vom 09.10.2014

Pos. Artikel - Nr. Bezeichnung

1	330195	Montageplatte Saugbalkenverstellung CRO
2	219822	VA - Linsenschraube M 8 x 45 mit Gewinde bis zum Kopf
3	391191	VA-Buchse 10MM X 8MM X 24MM
4	219639	VA - Sicherungsmutter M 8
5	219578	VA - U-Scheibe M 8 Form A
6	392431	Hebelarm Verstellung Saugbalken CRO
7	219964	Nylonscheibe 18mm Außenø 10,4mm Innenø 3mm dick
8	208748	Mikroschalter Bürstendeck
9	291156	VA-M3 X 30mm POZI
10	219501	VA - U-Scheibe M 3 Form A
11	291154	VA-Sicherungsmutter M3
12	392498	6mm Microschalter Abstandshalterubg
13	206991	Überzug für Abstreiferhebel TTV
14	219592	Feder
15	392499	Kontaktschalter Microschalter Absaugung CRO
19	219572	VA - Senkkopfschraube M 5 x 16
20	208985	Abstandshalter schwarz CRO
21	220007	Kabelbinder kurz
22	219558	VA-Mutter M5
23	392438	Flaschenhalterung CRO
24	291020	M5 STAINLESS STEEL EXTERNAL SHAKEPROOF LOCK WASHER
25	219785	M5.16MM LG.BUTTON HEAD.SCREW.STAINLESS STEEL

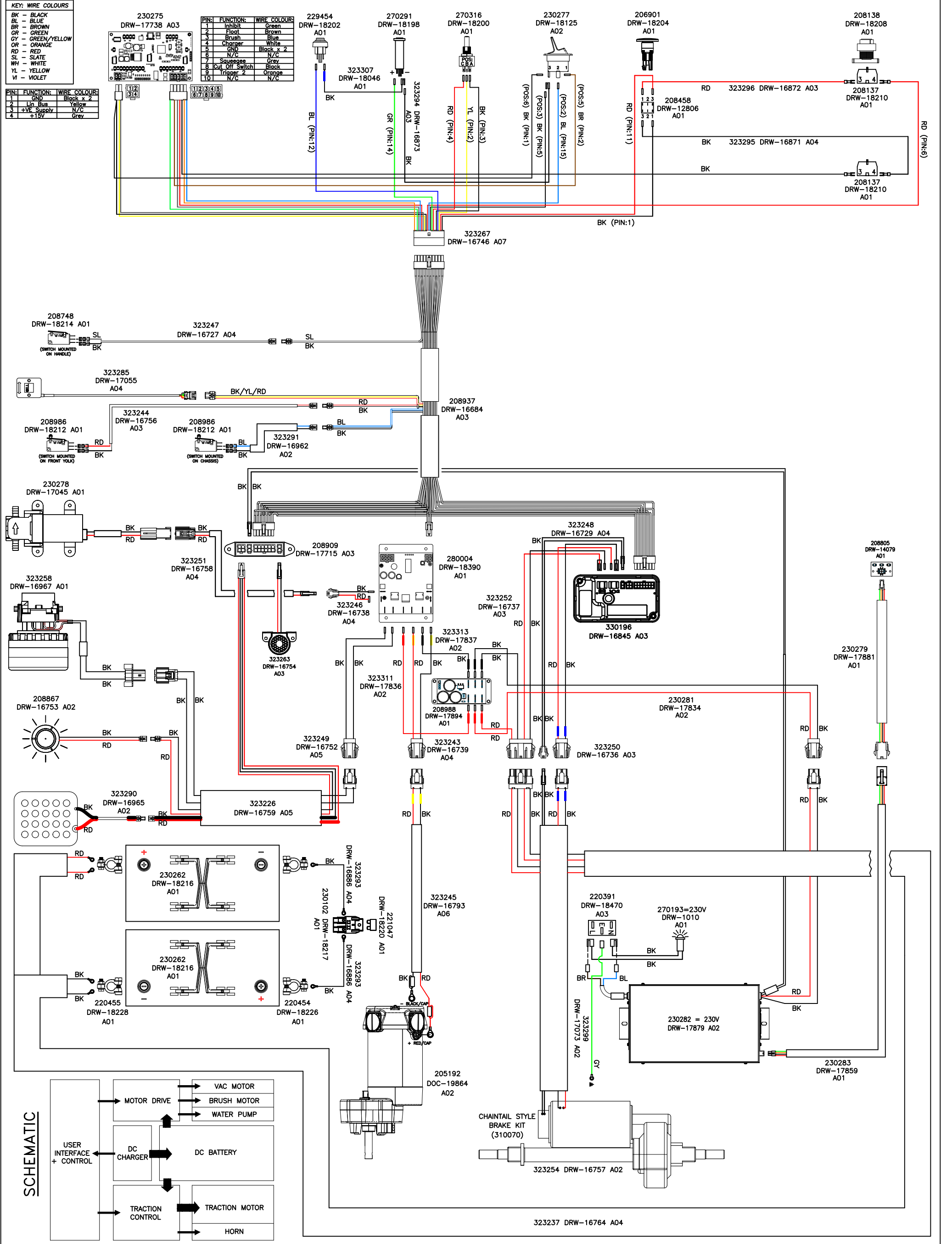
WIRING DIAGRAM

COMP. No
123452

DRG. No
DRW-17042

WIRING DIAGRAM.TWINTEC.1S.3WCR.230.56.TD.PLG

ISSUE	REVISION	DRAWN	APPD.	DATE
A04	323267,323285,323251,323313,323311,323249,323245,230282.323290 REVISIONS UPDATED TO EC016886. 208909 REVISION UPDATED TO EC016791.	AM	MC	21/01/2015



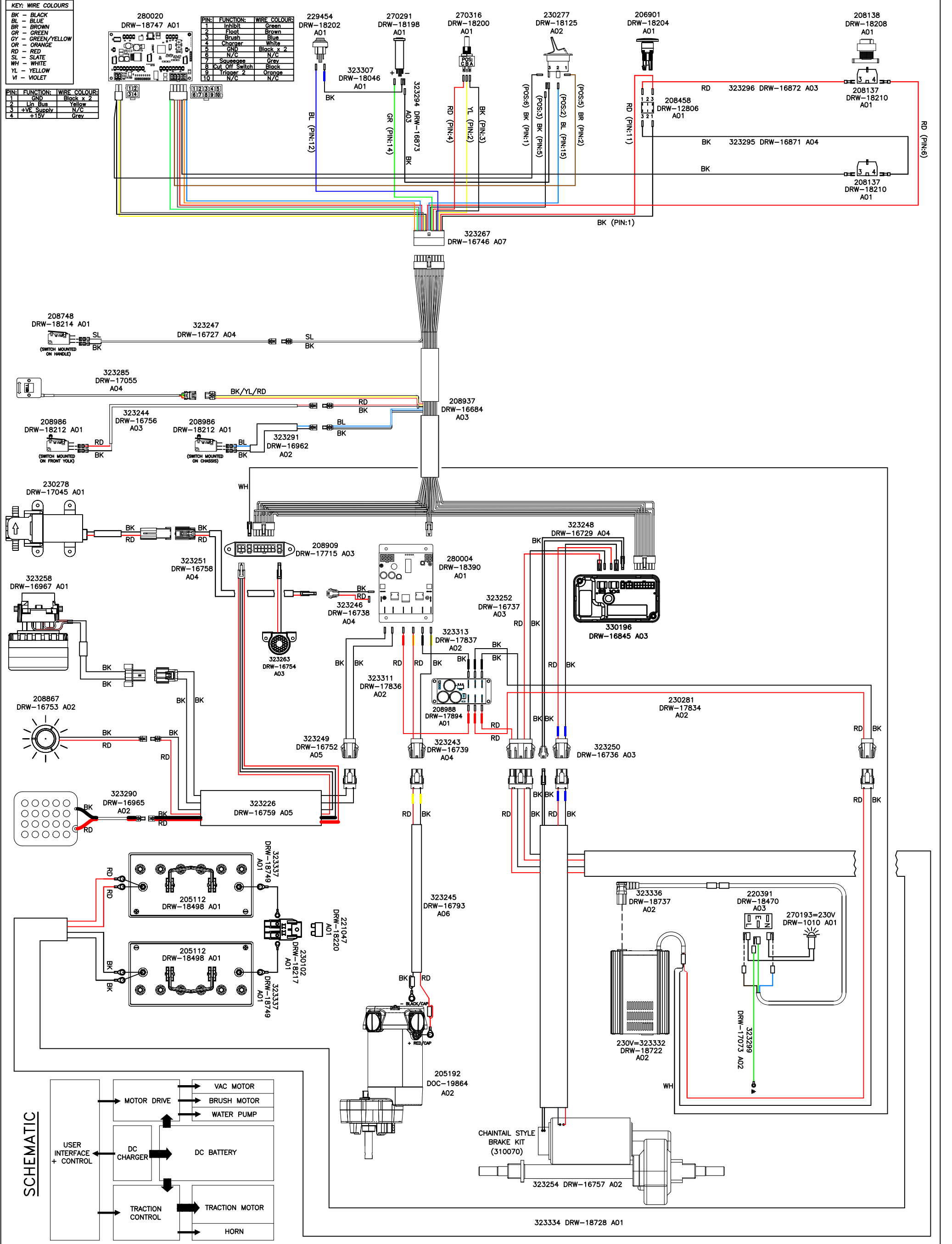
WIRING DIAGRAM

COMP. No
123463

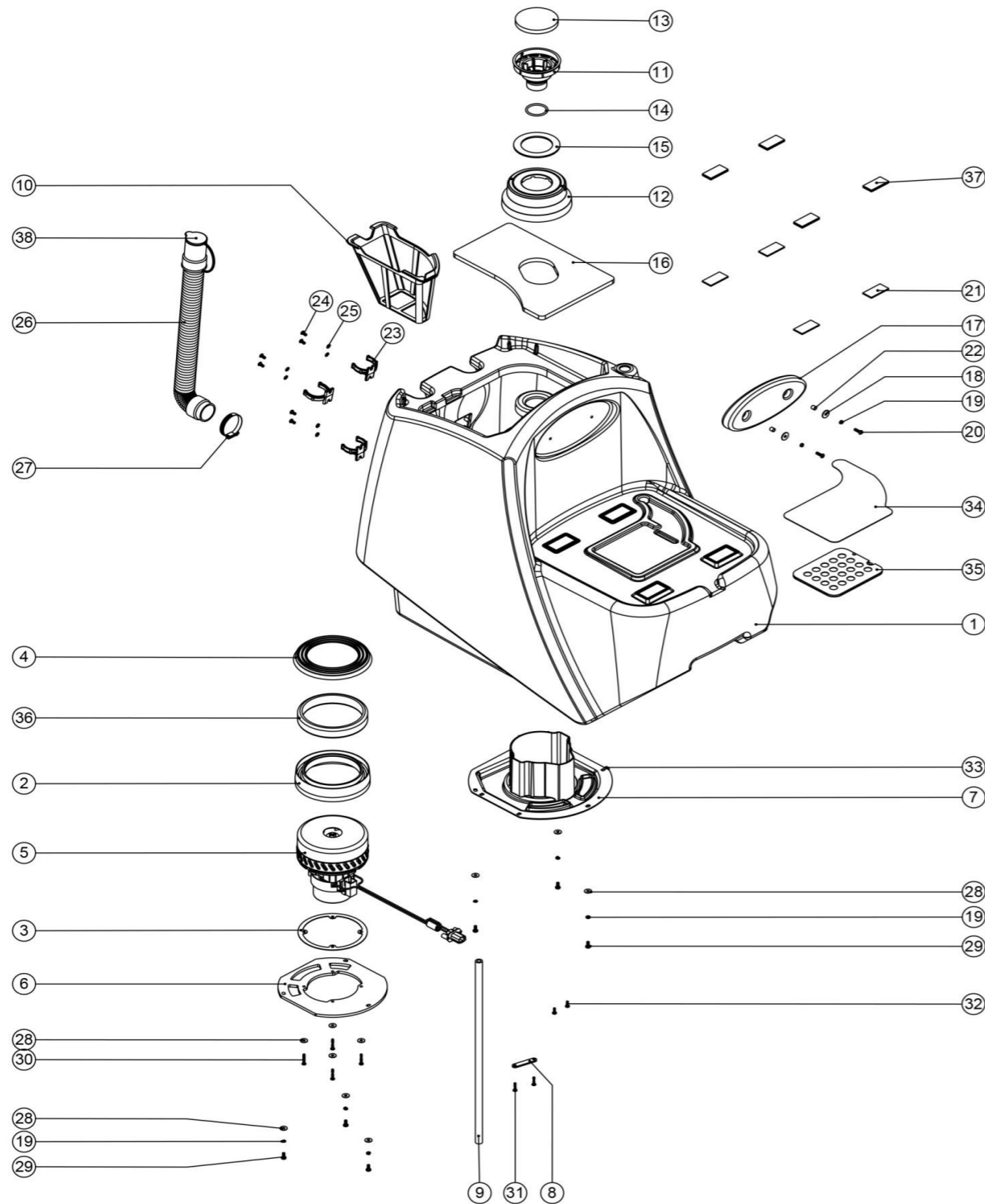
DRG. No
DRW-18748

WIRING DIAGRAM.TWINTEC.1S.3WCR.230.56.TD.PLG

ISSUE	REVISION	DRAWN	APPD.	DATE
A03	323267,323285,323251,323313,323311,323249,323245,323290 REVISIONS UPDATED TO EC016886. 208909 REVISION UPDATED TO EC016791.	AM	MC	21/01/2015



NB: FOR WIRING SEE DRAWING: N/A



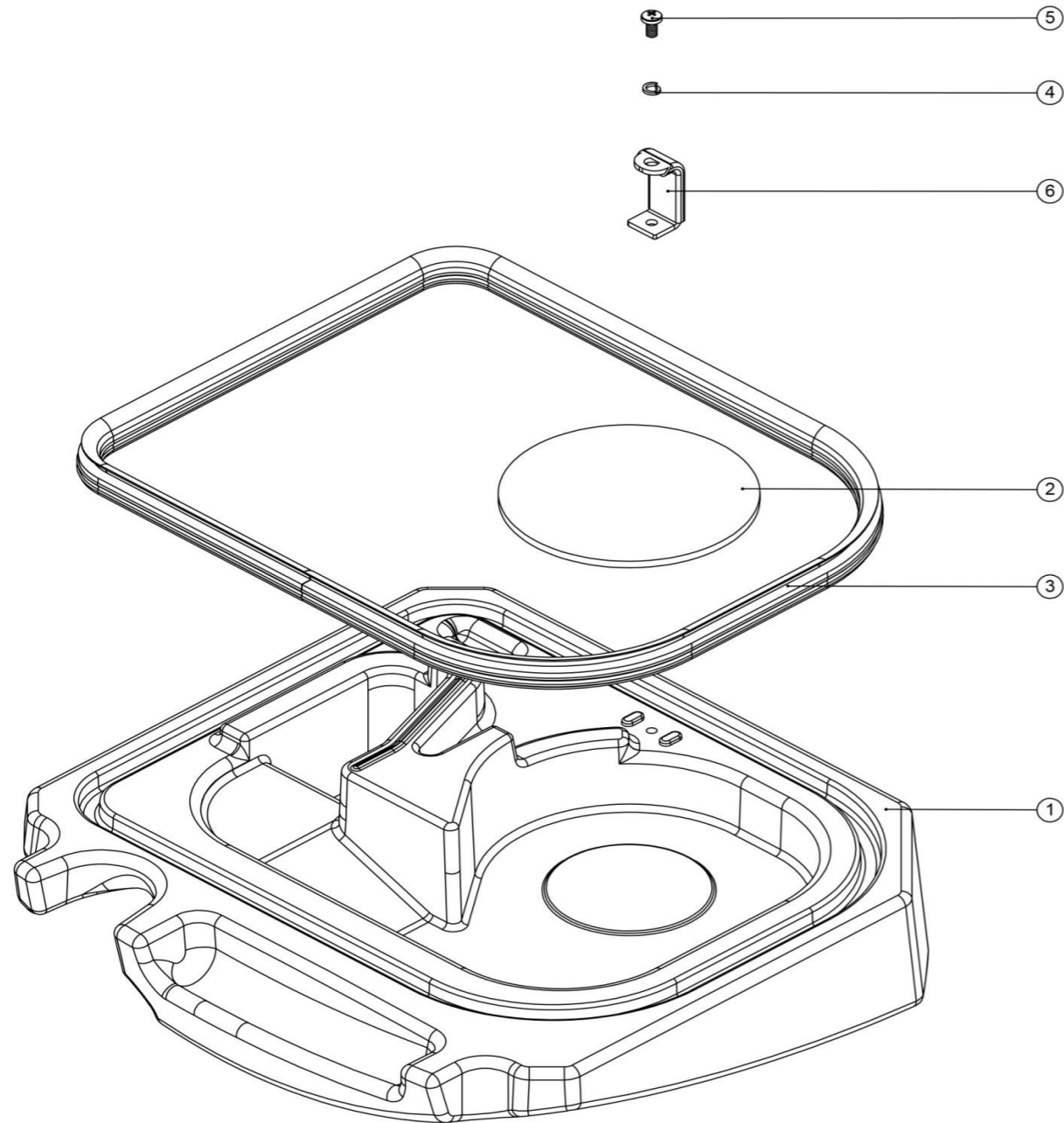
Pos.	Artikel - Nr.	Bezeichnung
1	237611	Schmutzwassertank CRO
2	202069	Motordichtung unten
3	202139	Motordichtung
4	202077	Motordichtung unten
5	323258	Saugmotor 24 V mit Ferritröllchen CRO8055
6	392374	Motormontage Platte CRO
7	237620	Motorhalterung für Saugmotor CRO
8	392496	Kabelhalter
9	391528	Ablaufschlauch CRO 500 mm
10	207000	Grobschmutzfilterkorb (neue Serie TT / TTB)
11	237618	Luftfiltergehäuse CRO
12	237619	Luftstrom Abschaltswimmer Gehäuse
13	208861	Luftfilter CRO
14	208860	O Ring 39 mm x 3.5 mm
15	208858	Dichtring Schwimmer CRO
16	208980	Schaumstoffpolster für Schwimmer CRO
17	208864	Rückenpolster CRO
18	291118	Karoseriescheibe M5 x 19 mm
19	219861	VA - Federring M 5
20	219785	VA-Schraube M5 x 16mm
21	208865	Klettstreifen Rücken 50 x 25
22	208475	Abstandhalter 8mm
23	237754	Schlauchclip 35 - 38 mm
24	291004	VA - Halbrundkopfschraube M 5 x 10 mit Innensechskant
25	291020	VA-Unterlegscheibe M 5
26	280017	Ablaufschlauch ausziehbar 35 mm x 380 mm, kurzer Anschluß CRO
27	219919	Schlauchschele 32-50mm TTV
28	219644	VA - U-Scheibe M 5 Form G (groß)
29	219740	VA - Kreuzschlitzschraube M 5 x 12
30	219369	VA - Schraube für Kunststoffe 8 x 1
31	219568	"VA - Schraube für Kunststoffe 8 x ¾"
32	219569	VA - Schraube für Kunststoffe 8 x ½
33	220007	Kabelbinder kurz
34	208983	Sitzschalter Membrane CRO
35	323290	Sitzpolster CRO
36	208981	Abstandhalter Saugmotor CRO
37	280003	Klettstreifen Vorne 50 x 25
38	900903	Schlauchverschluss für 35 - 38 mm Stretchschlauch

Baugruppe Separator

Zeichnungsnummer DRW-17590-A03 vom 15.05.2015

NB: FOR WIRING SEE DRAWING: N/A

Pos.	Artikel - Nr.	Bezeichnung
1	237614	Separatordeckel CRO
2	208899	Dichtungsscheibe Separator CRO
3	304503	Oberer Dichtungsring
4	219861	VA - Federring M 5
5	219668	VA - Schraube M 5 x 10
6	330200	Ablageklammer Separator CRO

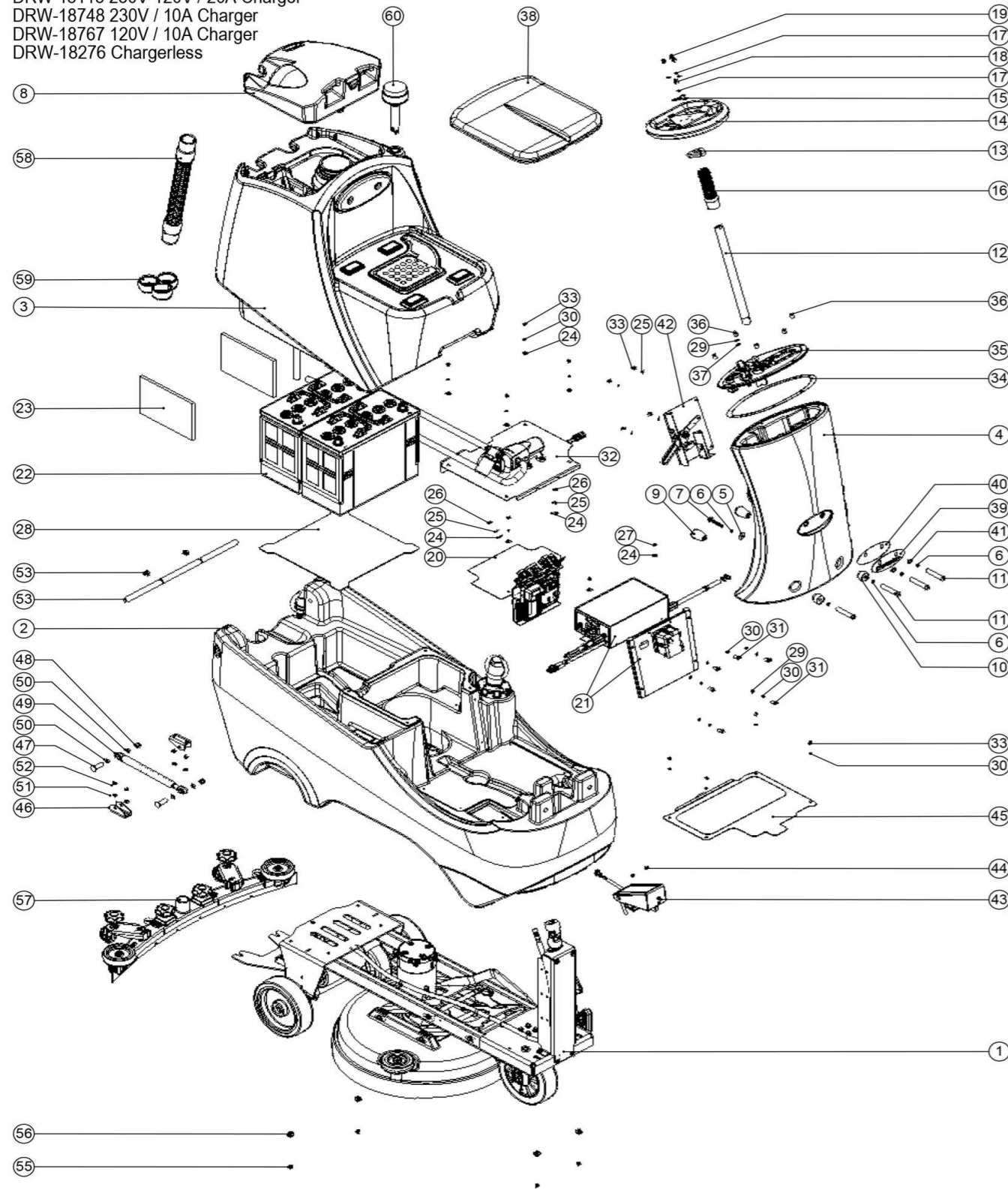


Übersicht CRO

Zeichnungsnummer DRW-15507-A06 vom 15.05.2015

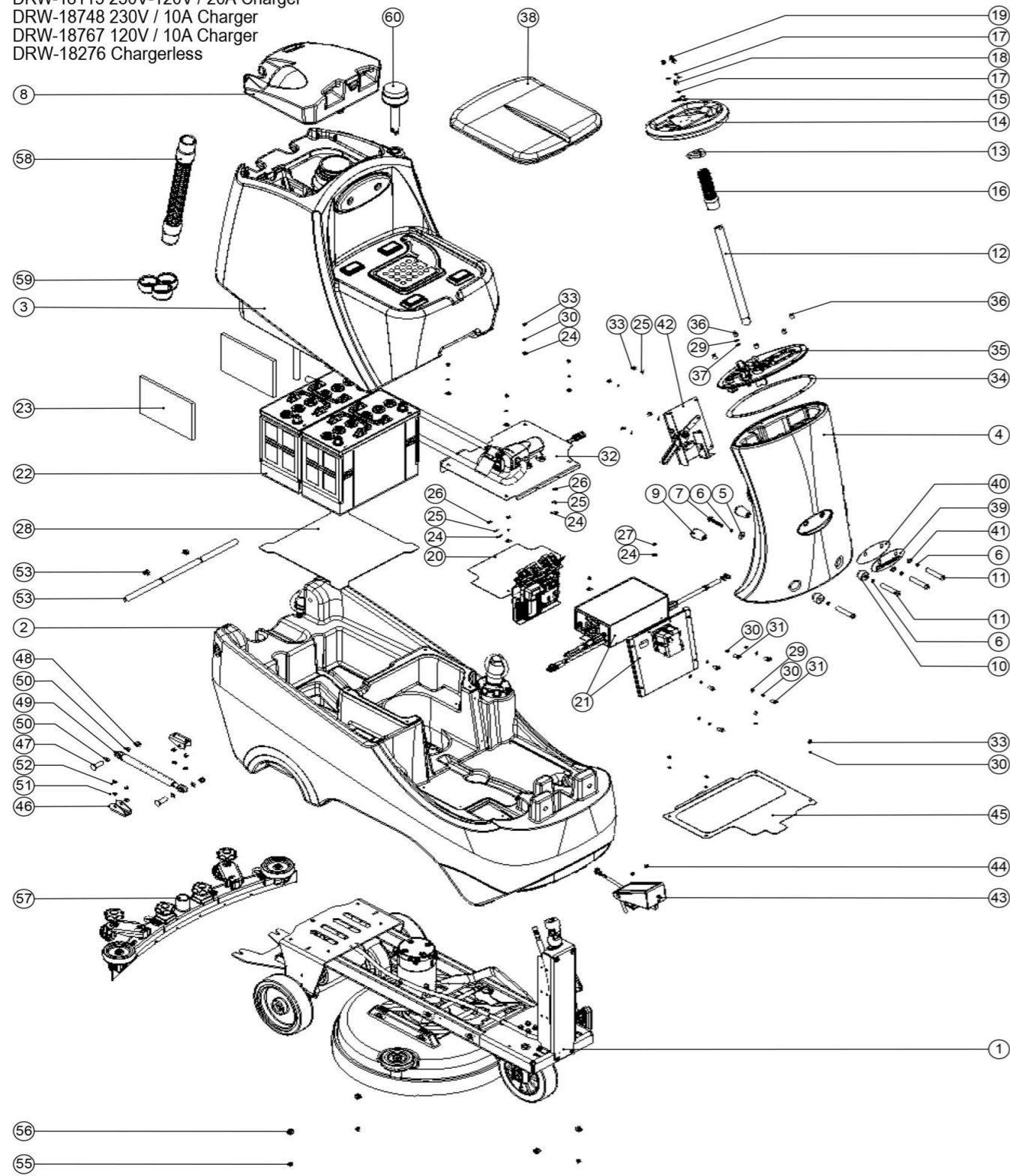
NB: FOR WIRING SEE DRAWING:

DRW-17042 230V / 35A Charger
DRW-18115 230V-120V / 20A Charger
DRW-18748 230V / 10A Charger
DRW-18767 120V / 10A Charger
DRW-18276 Chargerless



Pos.	Artikel - Nr.	Bezeichnung
1	599530	siehe DRW-15518
2	237682	Frischwassertank CRO
3	599464	Schmutzwassertank CRO
4	237683	Lenksäulenverkleidung CRO
5	219716	VA - Unterlegscheibe M 8 Form G
6	219898	VA - Federring M 8
7	219922	M8 x 50mm Edelstahlschraube
8	237614	Separatordeckel CRO
9	208903	Führungsbuchse Lang CRO
10	208904	Führungsbuchse Kurz CRO
11	291142	VA-Linsenkopfschraube M8 X 70MM
12	208901	Obere Lenksäule CRO
13	404214	Lenkradaufnahme CRO
14	208900	Lenkrad CRO
15	392500	Abdeckung Lenkrad CRO
16	380000	flexibler Lenksäulenschlauch 135 mm
17	219718	VA - Federring M 6
18	291144	VA-Schraube M6 X 20MM
19	291143	VA-Linsenkopfschraube M6 X 16MM
20	329428	siehe DRW-17539
21	330202	Trägerplatte für Ladestecker CRO
22	205112	Batterie 12V / 100 Ah für Scheuersaugmaschinen
23	208645	Abstandhalter Schaumstoff
24	219644	VA - U-Scheibe M 5 Form G (groß)
25	219861	VA - Federring M 5
26	219740	VA - Kreuzschlitzschraube M 5 x 12
27	219633	VA - Sicherungsmutter M 5
28	392501	Bodenplatte Batterie CRO
29	219355	VA - U-Scheibe M 5 Form A (klein)
30	291084	VA - Fächerscheibe M5
31	291168	VA-Schraube M5 X 20MM
32	N/A	siehe DRW-17506
33	291004	VA - Halbrundkopfschraube M 5 x 10 mit Innensechskant
34	203040	Aufnahme Display CRO
35	N/A	siehe DRW-17585
36	291160	VA-Schraube M5 X 12MM
37	219462	Gummischeibe, schwarz
38	208862	Sitzpolster CRO
39	392433	NUMATIC Platte CRO
40	392432	Typenschild schwarz
41	219578	VA - U-Scheibe M 8 Form A
42	-	siehe DRW-16175
43	330211	Gaspedal CRO (Komplett Set)
44	291135	VA - Schraube M5 x 10 mm
45	-	siehe DRW-17134
46	392455	Gasdruckfederhalterung CRO
47	291120	VA - M8 x 40 Schlossschraube
48	219639	VA - Sicherungsmutter M 8
49	208907	Gasdruckfeder CRO 100NM
50	291121	Kunststoffscheibe 8.2 mm x 12 mm x 5 mm
51	219870	VA - Unterlegscheibe M 6, Form A
52	219646	VA - Schraube M6 x 16 mm Pozi
53	208902	Drehachse Schmutzwassertank CRO

NB: FOR WIRING SEE DRAWING:
 DRW-17042 230V / 35A Charger
 DRW-18115 230V-120V / 20A Charger
 DRW-18748 230V / 10A Charger
 DRW-18767 120V / 10A Charger
 DRW-18276 Chargerless



53	208072	Plastik-Befestigungsring TTV
55	219642	VA - Sicherungsmutter M 6
56	219647	VA - U-Scheibe, groß M 6 Form G (6,4 x 25 mm)
57	500521	siehe DRW-17997
58	213061	Saugschlauch CRO 1,33 m (38 mm)
59	237718	Schlauchführung
60	-	siehe DRW-17381

Baugruppe Warnleuchte

Zeichnungsnummer DRW-17381-A03 vom 15.05.2015

Pos.	Artikel - Nr.	Bezeichnung
1	237681	Socket für Leuchte bei CRO
2	208984	Haltering Blinkleuchte CRO 32 mm x 22 mm x 7 mm
3	208867	Blinklicht CRO
4	219688	VA - Unterlegscheibe M 4 Form A
5	219687	VA - Sicherungsmutter M 4

