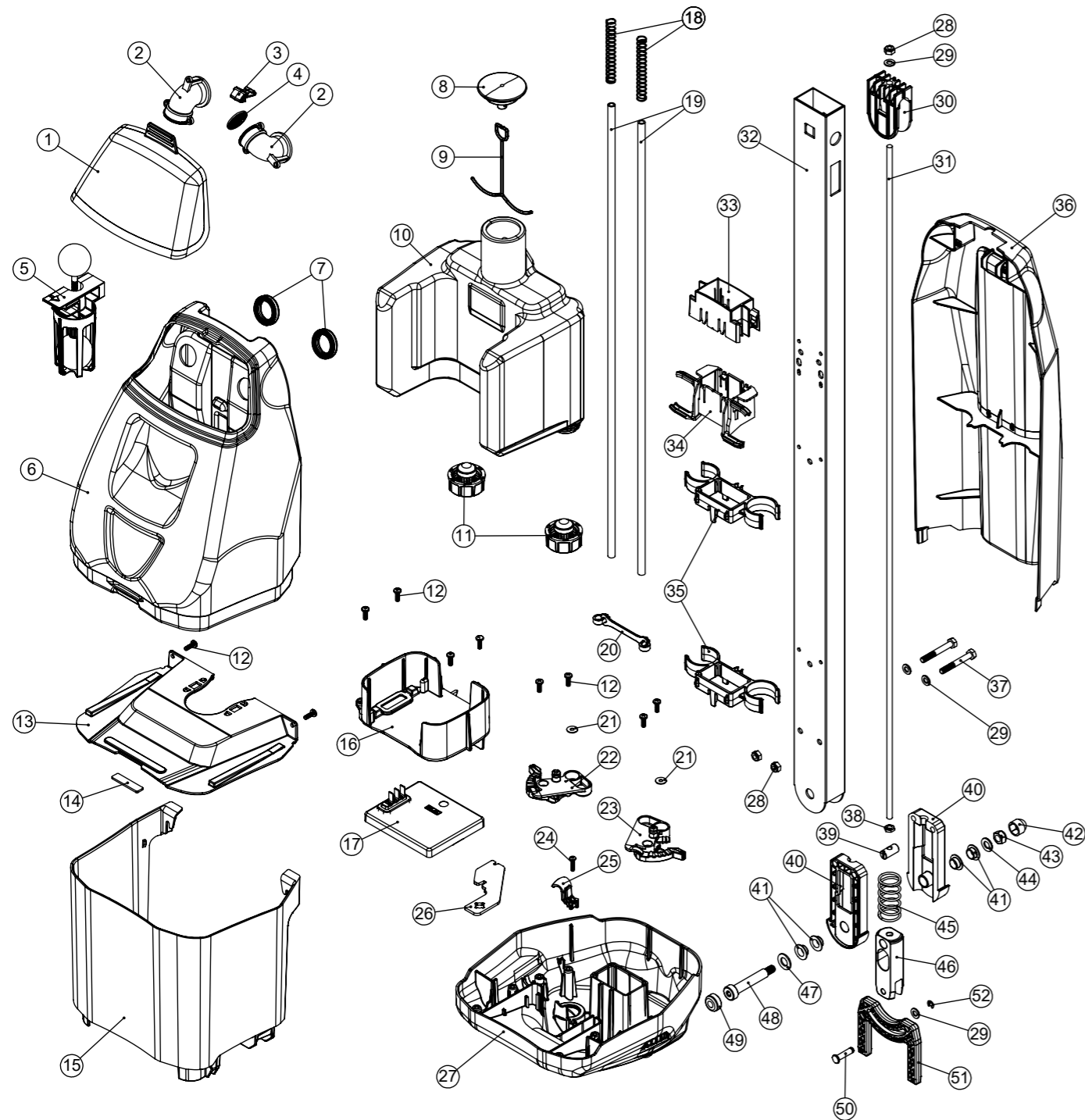


Numatic International Spare Parts

Model No: MID SECTION ASSEMBLY EXPLODED DRAWING

NB: FOR WIRING SEE DRAWING: DRW-32894

911919
DRAWING: DRW-31385 ISS:A09
11/03/2021



Numatic International Spare Parts

Model No: MID SECTION ASSEMBLY EXPLODED DRAWING

ITEM:	PART No:	Description	Comments	QTY.
1	911502	CSD P5 SEPARATOR MOULDING AND SEAL OVERMOULD		1
2	911284	SEPARATOR PORT MOULDING		2
3	911287	SPRING LATCH MOULDING		1
4	911286	PORT FILTER DISC		1
5	911798	BALL SHUT OFF ASSEMBLY		1
6	911499	WASTE TANK P5 SHELLLED WITH LUGS BLOW MOULDING		1
7	911282	GASKET SEAL RING MOULDING		2
8	911280	CAP BUNG WITH VENT HOLE MOULDING		1
9	911281	TETHER MOULDING		1
10	911500	CSD P5 CLEAN TANK BLOW MOULDING		1
11	911815	CHECK VALVE TANK COUPLING		2
12	219569	No8 X 1/2 INCH LONG POZI PAN STAINLESS STEEL PLASTITE SCREW	2.6Nm ± 0.1	10
13	911534	WT SHELF MOULDING		1
14	911786	FOAM PAD 40 X 10 X 2MM		1
15	913483	WT SUPPORT MOULDING PRINTED NUMATIC 244NX		1
16	911537	BATTERY SUPPORT MOULDING		1
17	910930	CSD CONTROL PCB ASSEMBLY		1
18	219327	80MM LG COMPRESSION SPRING		2
19	913691	CLEAR SILICONE TUBE 5MM ID X 8MM OD X 608MM LONG		2
20	913695	HOSE RETAINER		1
21	907391	M4 A2 S/ST FLAT WASHER DIN9021 (REF: WAWSFM400X500)		2
22	912597	FC VALVE LEFT		1
23	912596	FC VALVE RIGHT		1
24	219914	NO6.5/8 INCH LG.POZI-PAN.SCREW.STAINLESS STEEL.PLASTITE	1.6Nm ± 0.1	1
25	911272	WIRE CLAMP MOULDING		1
26	913062	RETAINER PLATE		1
27	913661	NUC HANDLE BASE MOULDING PRINTED WATER FLOW		1
28	219642	M6 STAINLESS STEEL NYLON INSERT NUT		3
29	219870	M6 FORM A WASHER STAINLESS STEEL		4
30	910730	HANDLE RELEASE SLIDER		1
31	910882	HANDLE LOCKING ROD		1
32	912443	HANDLE TUBE PAINTED SILVER		1
33	911266	TANK LOCK MOULDING		1
34	911267	HOSE END MOUNT MOULDING		1
35	911268	DUAL HOSE CLIP MOULDING		2
36	911811	REAR COVER ASSEMBLY		1
37	219896	M6 X 45MM LONG HEXAGONAL STAINLESS STEEL BOLT	8.5Nm ± 0.5	2
38	219099	M6 HALF NUT		1
39	911814	M6 X 20MM CROSS DOWEL BARREL NUT Z/PL		1
40	910715	HANDLE PIVOT MOULDING		2
41	208330	IGUS BEARING (GFM 101206)		4
42	903260	M8 BOLT AND NUT CAP		1
43	219639	M8 STAINLESS STEEL NYLON INSERT NUT		1
44	219578	M8 FORM A STAINLESS STEEL WASHER		1
45	208782	SPRING (C5517490)		1
46	910881	ROLL LATCH		1
47	219903	M10 FORM A STAINLESS STEEL WASHER		1
48	208333	M8 X 10 X 50MM LONG HEX SOCKET SHOULDER BOLT	20.0Nm ± 1.0	1
49	237632	SHOULDER BOLT COVER		1
50	912703	6MM X 22MM S/S CLEVIS PIN WITH E-CLIP GROOVE		1
51	910714	PITCH LATCH		1
52	912704	E-CLIP RSM0040 DIN 6799		1

Numatic International Spare Parts

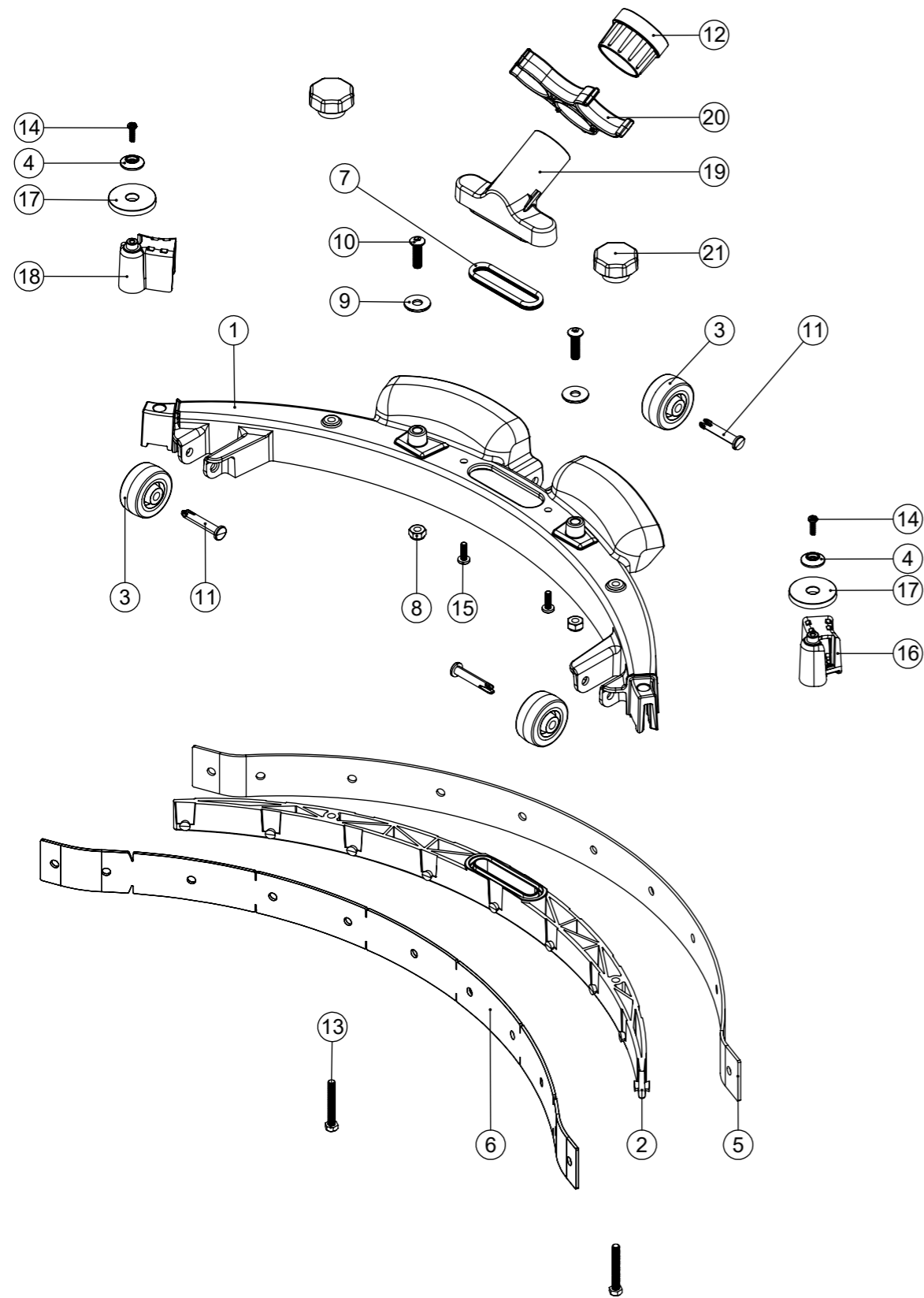
SQUEEGEE ASSEMBLY EXPLODED DRAWING

Model No:

911916

DRAWING: DRW-31959 ISS:A06

06/07/2021



Numatic International Spare Parts

SQUEEGEE ASSEMBLY EXPLODED DRAWING

Model No:

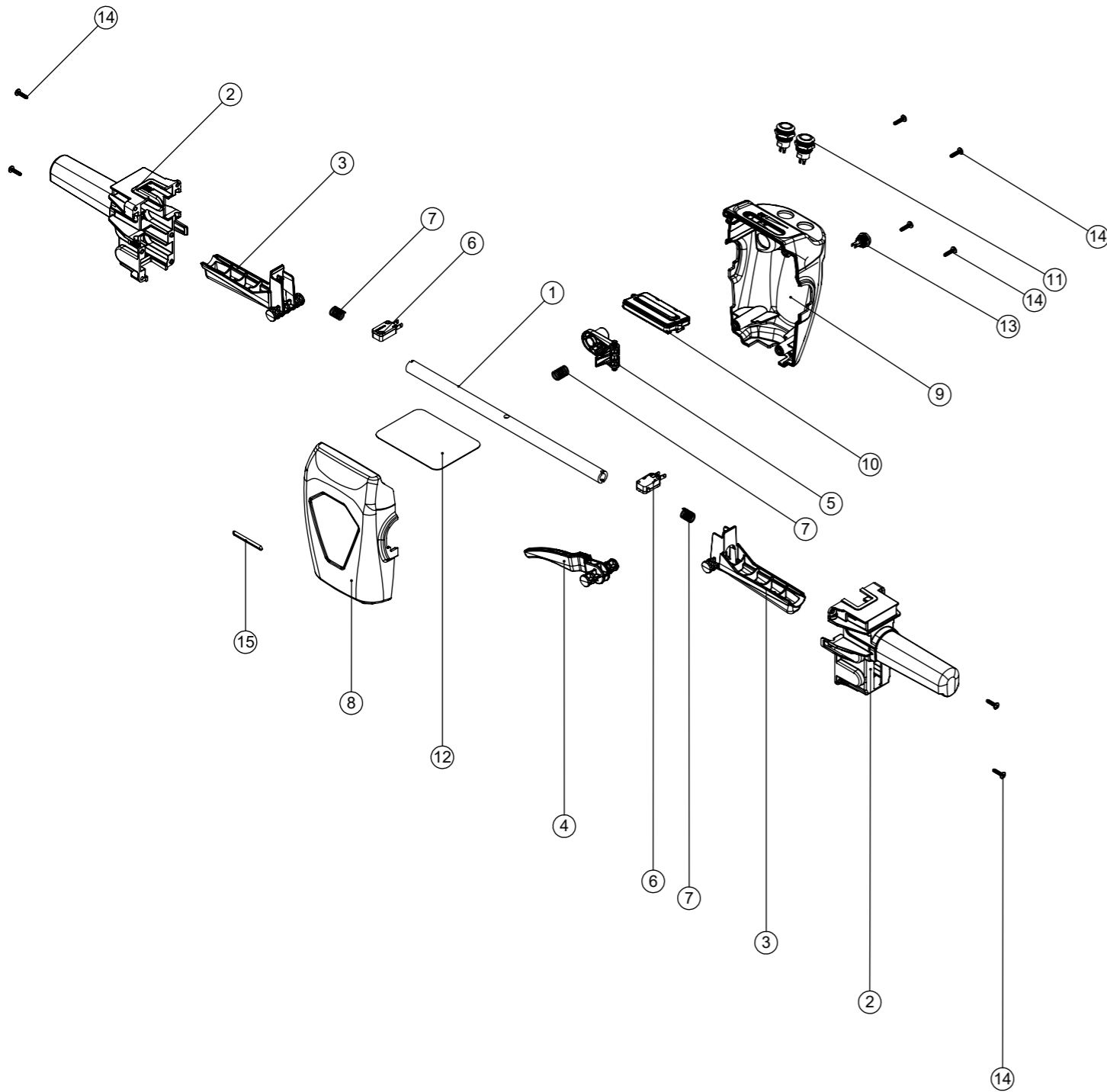
POS.	ITEM No.	DESCRIPTION	COMMENTS	QTY.
1	913895	SQUEEGEE OUTER DIE CASTING PAINTED SILVER		1
2	911516	CSD SQUEEGEE INNER MOULDING FOR DIE CASTING		1
3	208454	TTB 1840 SQUEEGEE WHEEL		3
4	208603	NYLON FINISHING WASHER (BLACK)		2
5	911519	CSD SQUEEGEE REAR BLADE		1
6	911518	CSD SQUEEGEE FRONT BLADE		1
7	209077	DOOR SEAL EXTRUSION		1
8	219642	M6 STAINLESS STEEL NYLON INSERT NUT		2
9	219647	M6 FORM G STAINLESS STEEL WASHER		2
10	905556	M6 X 20MM LONG SOCKET BUTTON HEAD ST/ST BOLT	8.5Nm ± 0.5	2
11	911517	SNAP LOCK PIN		3
12	910970	32MM HOSE CUFF		1
13	905554	M5 X 35MM LONG HEXAGONAL HEAD SCREW ST/ST	5.0Nm ± 0.5	2
14	291053	3.5 X 12MM POZI PAN PLASTITE SCREW S/S	1.6Nm ± 0.1	2
15	219569	No8 X 1/2 INCH LONG POZI PAN STAINLESS STEEL PLASTITE SCREW	2.6Nm ± 0.1	2
16	911511	LEFT HAND CSD420 FLOOR TOOL CLIP		1
17	237266	BUFFER WHEEL		2
18	911512	RIGHT HAND CSD420 FLOOR TOOL CLIP		1
19	912051	HOSE TRAP INLET		1
20	912052	HOSE TRAP CLIP		1
21	208455	TTB 1840 SQUEEGEE KNOB		2

Numatic International Spare Parts

Model No: HANDLE ASSEMBLY EXPLODED DRAWING

913337
DRAWING: DRW-35076 ISS:A03.01
02/03/2021

NB: FOR WIRING SEE DRAWING: DRW-34941



Numatic International Spare Parts

Model No: HANDLE ASSEMBLY EXPLODED DRAWING

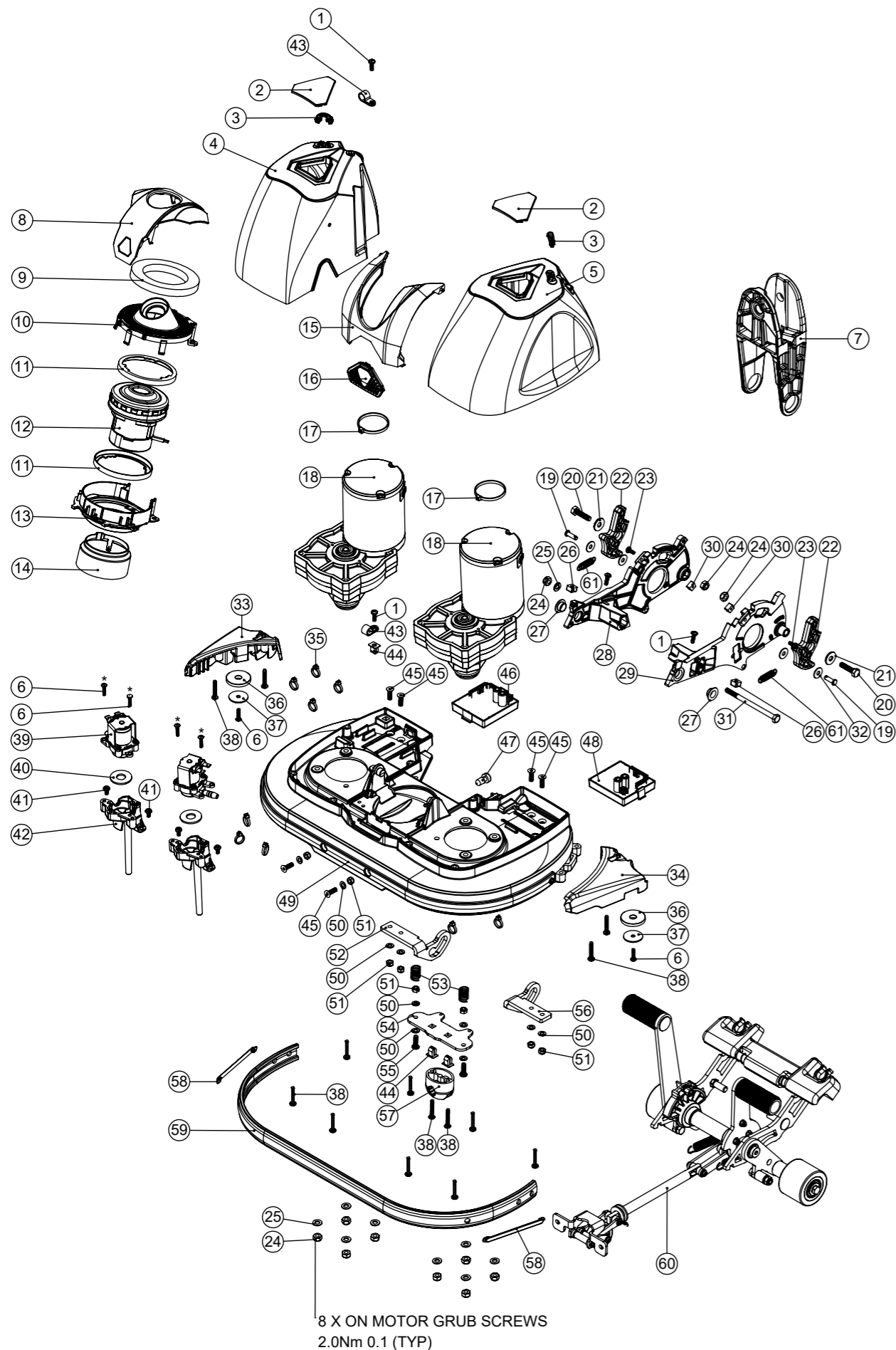
ITEM NO:	PART NO:	DESCRIPTION:	COMMENTS	QTY.
1	910887	HANDLE CROSS TUBE		1
2	910726	HANDLE GRIP		2
3	910727	HANDLE TRIGGER		2
4	910733	HANDLE RELEASE LEVER		1
5	910734	HANDLE LOCK BUTTON		1
6	229483	SNAP ACTION SWITCH		2
7	219803	TRIGGER COMPRESSION SPRING		3
8	910850	FRONT HANDLE COVER MOULDING		1
9	910851	REAR HANDLE COVER MOULDING		1
10	910616	CSD HANDLE PCB ENCLOSURE ASSEMBLY		1
11	910841	ILLUMINATED TOGGLE SWITCH 22MM DIA		2
12	912145	HANDLE WIRING PROTECTOR		1
13	913246	ISR3Z1AD500 - YELLOW 12MM SEALED PUSH BUTTON SWITCH		1
14	219370	No8 X 5/8 INCH LONG PLASTITE STAINLESS STEEL SCREW	TORQUE TO 2.6Nm	8
15	913456	SELF-ADHESIVE DOMED PROTECTIVE STRIP		1

Numatic International Spare Parts

Model No: BASE ASSEMBLY EXPLODED DRAWING

NB: FOR WIRING SEE DRAWING: DRW-34941

913432
DRAWING: DRW-35236 ISS:A11
22/10/2021



8 X ON MOTOR GRUB SCREWS
2.0Nm 0.1 (TYP)

Numatic International Spare Parts

Model No: BASE ASSEMBLY EXPLODED DRAWING

ITEM NO.	PART NO.	DESCRIPTION	COMMENTS	QTY.
1	219569	No8 X 1/2 INCH LONG POZI PAN STAINLESS STEEL PLASTITE SCREW	TORQUE TO 2.6Nm	4
2	911370	VENT CAP MOULDING		2
3	911800	TUBE CLIP MOULDING		2
4	911778	LEFT MOTOR COVER MOULDING		1
5	911779	RIGHT MOTOR COVER MOULDING		1
6	219914	NO6.5/8 INCH LG.POZI-PAN.SCREW.STAINLESS STEEL.PLASTITE	TORQUE TO 1.6Nm * 2.6Nm on Solenoid	6
7	913890	YOKE PAINTED SILVER		1
8	911101	VAC OUTER MOULDING		1
9	911687	FOAM PAD DISC		1
10	911328	VAC TOP SECTION MOULDING		1
11	911339	VAC GASKET		2
12	910622	CINDERSON B74-LS4015010K-021 100W VAC MOTOR		1
13	911330	VAC MIDDLE SECTION MOULDING		1
14	911329	VAC BOTTOM SECTION MOULDING		1
15	911777	CENTRE COVER MOULDING		1
16	911369	GRILL MOULDING		1
17	220138	BLACK CABLE TIE		2
18	911807	BRUSH MOTOR SUB ASSEMBLY		2
19	904922	CLEVIS PIN 3/16 x 5/8 STAINLESS STEEL		2
20	219925	M6 x 25MM LONG STAINLESS STEEL HEX SCREW	TORQUE TO 8.5Nm	2
21	219647	M6 FORM G STAINLESS STEEL WASHER		2
22	910717	FLOOR TOOL LATCH		2
23	291041	NO.6 3/8 INCH LG.POZI-PAN.SCREW.Z/PL/PLASTITE.BLACKODISED	TORQUE TO 1.6Nm	2
24	219642	M6 STAINLESS STEEL NYLON INSERT NUT		11
25	219870	M6 FORM A WASHER STAINLESS STEEL		9
26	911260	SCREW BLOCK		2
27	208330	IGUS BEARING (GFM 101206)		2
28	913894	LEFT DECK LINK ARM CASTING PROCESSED PAINTED SILVER		1
29	913893	RIGHT DECK LINK ARM CASTING PROCESSED PAINTED SILVER		1
30	913286	HANDLE POSITION STOP BLOCK		2
31	291021	M6 X 90MM LONG STAINLESS STEEL HEXAGONAL HEAD BOLT	TORQUE TO 8.5Nm	1
32	219644	M5 FORM G STAINLESS STEEL WASHER		4
33	911263	LEFT DECK WING MOULDING		1
34	911262	RIGHT DECK WING MOULDING		1
35	220844	WHITE CABLE TIE		9
36	237266	BUFFER WHEEL		2
37	219930	M5 X 25MM X 1.5MM THICK A4 STAINLESS STEEL PENNY WASHER		2
38	219369	No8 X 1 INCH LONG POZI PAN STAINLESS STEEL PLASTITE SCREW	TORQUE TO 2.6Nm	14
39	911208	FCD360B-DC24V MEISHUO SOLENOID VALVE		2
40	913408	2MM NEOPRENE CLOSED CELL DISC		2
41	219697	M4 X 8MM LONG POZI PAN STAINLESS STEEL SCREW		4
42	911523	SOLENOID CONNECTOR DOWNPIPE MOULDING		2
43	219393	P CLIP		2
44	900986	NYLON GROMMET NUT (PLASTIC INSERT TO SUIT No 8 PLASTITE SCREW)		3
45	913215	M5 X 16MM SOCKET COUNTERSUNK SCREW STAINLESS STEEL	TORQUE TO 3.5Nm	6
46	910361	36V BLDC MOTOR CONTROLLER (COUNTER CLOCKWISE)	(LEFT)	1
47	913206	BLIND GROMMET (G10-RB62-50-00S)		1
48	910280	36V BLDC MOTOR CONTROLLER (CLOCKWISE)	(RIGHT)	1
49	913889	DECK CASTING PROCESSED PAINTED SILVER		1
50	219355	M5 FORM A STAINLESS STEEL WASHER		10
51	219633	M5 STAINLESS STEEL NYLON INSERT NUT		8
52	913347	LATCH PLATE R/H		1
53	219803	TRIGGER COMPRESSION SPRING		2
54	913248	BEARING MOUNTING PLATE		1
55	219785	M5 X 16MM LONG BUTTON HEAD STAINLESS STEEL SCREW	TORQUE TO 3.5Nm	2
56	913348	LATCH PLATE L/H		1
57	913213	RJUMP-05-12 - IGUS - DRYLIN® RJUMP SPLIT HOUSING		1
58	913007	TRIM GLIDE MOULDING		2
59	911003	TRIM EXTRUSION		1
60	913365	SQUEEGEE AND LIFTING MECHANISM ASSEMBLY		1
61	914094	EXTENSION SPRING (32MM)		2