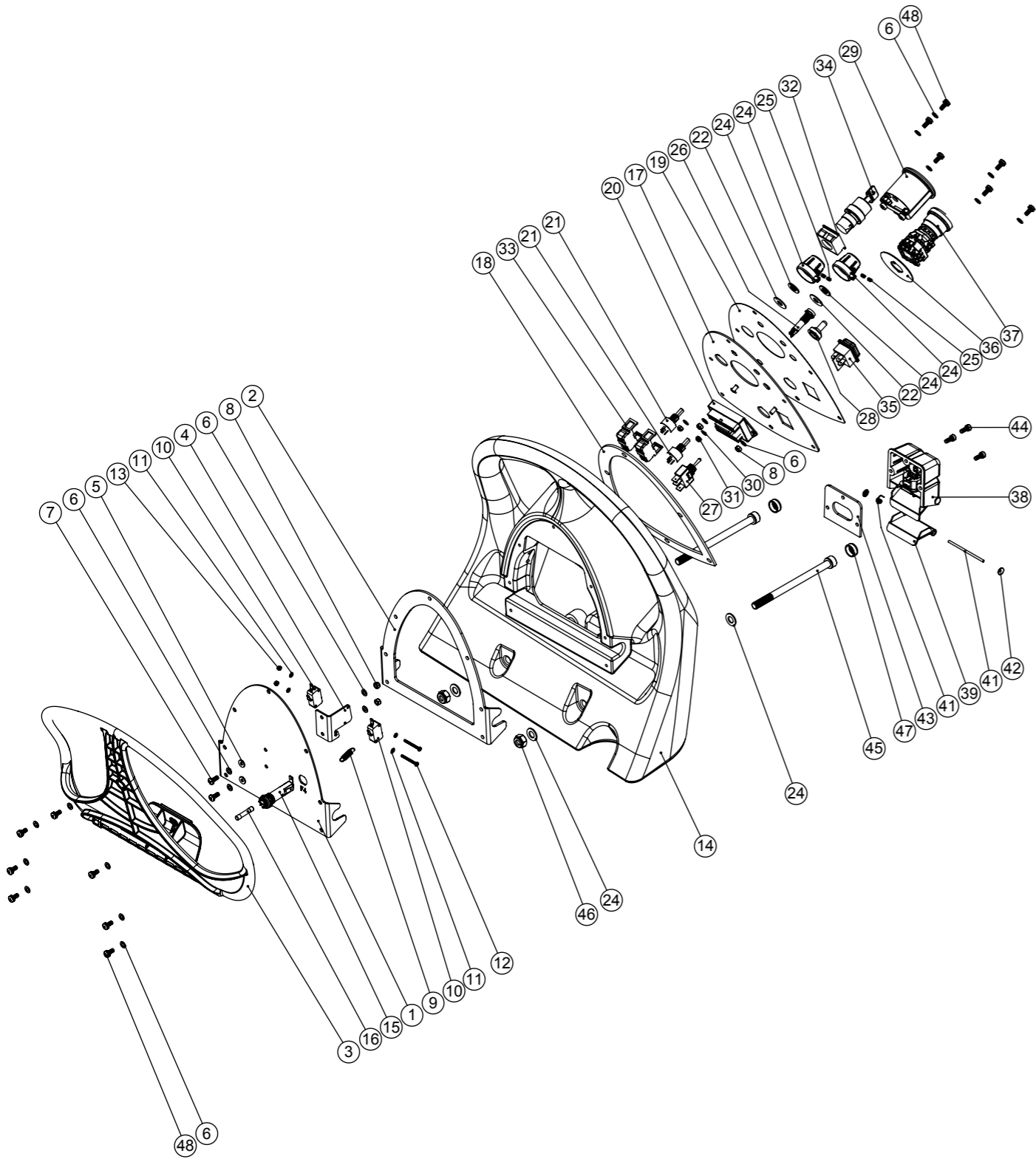


# Numatic International Spare Parts

**Model No:** TGB 8572 HANDLE ASSY

Internal Code: 905417, 906618  
 DRAWING: DRW-24712 ISS:A10  
 PRO 05/10/2017

NB: FOR WIRING SEE DRAWING: WD-0???



# Numatic International Spare Parts

**Model No:** TGB 8572 HANDLE ASSY

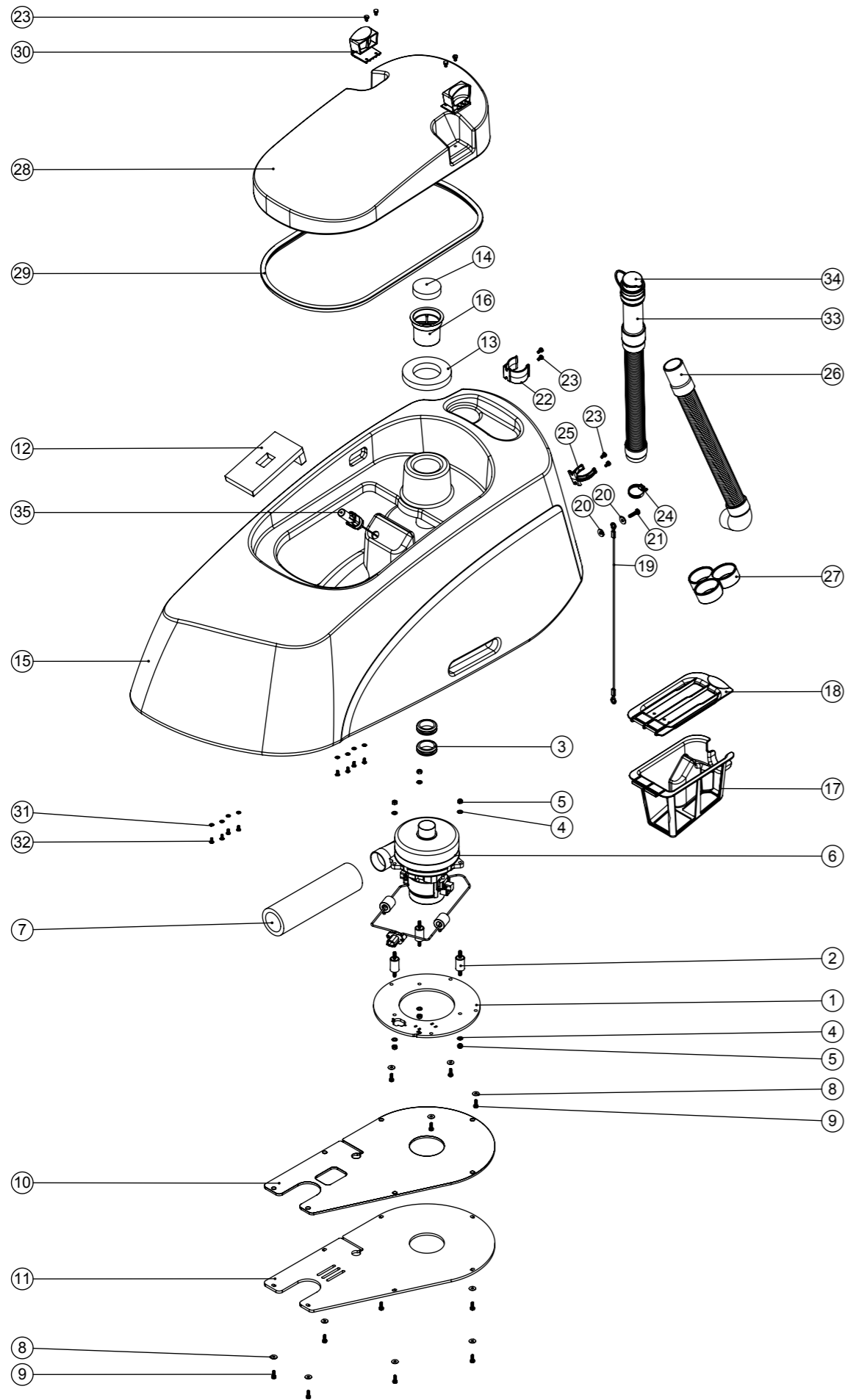
ITEM:	PART No:	DESCRIPTION	COMMENTS:	QTY.
1	902263	HANDLE BACK PLATE ETB6055 PAINTED SILVER		1
2	903062	HANDLE BACK PLATE GASKET		1
3	902325	RED HANDLE TRIGGER MOULDING		1
4	902251	HANDLE MICRO SWITCH BRACKET PAINTED SILVER		1
5	219462	RUBBER WASHER		2
6	219355	M5 FORM A STAINLESS STEEL WASHER		19
7	219740	M5 X 12MM LONG STAINLESS STEEL POZI PAN SCREW		2
8	219633	M5 STAINLESS STEEL NYLON INSERT NUT		4
9	208356	TRIGGER SPRING		1
10	208391	SNAP ACTION SWITCH		2
11	219501	M3 FORM A STAINLESS STEEL WASHER		4
12	291156	M3 X 30MM LONG POZI PAN SCREW STAINLESS STEEL		2
13	291154	M3 NYLON INSERT NUT STAINLESS STEEL		2
14	304442	PROCESSED TTV5565 GREY HANDLE MOULDING		1
15	903032	BULGIN PANEL MOUNT FUSEHOLDER		1
16	903066	FUSE 2.5A (6.3x32)		1
17	907128	TGB8572 CONTROL PANEL C/W STUDS (NEW KEY) PAINTED SILVER		1
18	208336	CONTROL PANEL PUNCHED GASKET		1
19	905361	TGB 8572 CONTROL PANEL PLATE OVERLAY		1
20	904179	Terminal Block Assembly		1
21	270316	POTENTIOMETER TYPE Pe30 22k OHMS 20% 3W (WITH PANEL SEAL) (ROUND SHAFT WITH FLAT / NO SLOT IN SHAFT END)		2
22	904094	SPEED CONTROL GASKET		2
24	219903	M10 FORM A STAINLESS STEEL WASHER		6
24	903498	SPEED ADJUSTMENT KNOB C/W INSERT (RED)		2
25	219744	M4 X 6MM LONG BLACKODISED GRUB SCREW		4
26	270291	GREEN LED INDICATOR 2V C/W 2.2K RESISTOR		1
27	206786	SWITCH		1
28	206785	SWITCH COVER C/W NUT		1
29	902532	BATTERY DISCHARGE INDICATOR + HOUR METER 24V	O-RING INCLUDED	1
30	219688	M4 FORM A STAINLESS STEEL WASHER		2
31	219687	M4 STAINLESS STEEL NYLON INSERT NUT		2
32	907150	FIXING ADAPTER (020G)		1
33	907151	TERMINAL BLOCK N.O. (020E10)		2
34	907149	KEY SWITCH SELECTOR (020SCA1)	907208 SPARE KEYS	1
35	902235	SWITCH DPST RED ILLUMINATED WITH MEMBRANE 24V		1
36	904086	EMERGENCY NAME PLATE (A02-U27Y)		1
37	904087	EMERGENCY STOP (A02ES-H)		1
38	904032	240V EMI FILTER WITH SOCKET COVER ASSEMBLY C/W FLAP		1
38	906495	120V EMI FILTER (10A) WITH SOCKET COVER ASSEMBLY C/W FLAP		1
39	227781	FLAP MOULDING		1
41	390979	72MM LONG X 3MM DIAMETER STAINLESS STEEL BAR		1
41	219819	TORSION SPRING		1
42	219832	3MM DIAMETER STARLOCK		2
43	202105	SOCKET COVER SEALING GASKET		1
44	291007	M5 X 12MM LONG STAINLESS STEEL SOCKET CAP SCREW		3
45	902351	M10 X 150MM LONG SOCKET CAP SCREW STAINLESS STEEL		2
46	219897	M10 STAINLESS STEEL NYLON INSERT NUT		2
47	237632	SHOULDER BOLT COVER		2
48	291131	M5 X 12MM LONG STAINLESS STEEL POZI PAN SEMS SCREW		13

# Numatic International Spare Parts

**Model No:** TGB 8572 TOP TANK ASSY

Internal Code: 905416  
 DRAWING: DRW-24711 ISS:A06  
 PRO 05/10/2017

NB: FOR WIRING SEE DRAWING: WD-0???



# Numatic International Spare Parts

**Model No:** TGB 8572 TOP TANK ASSY

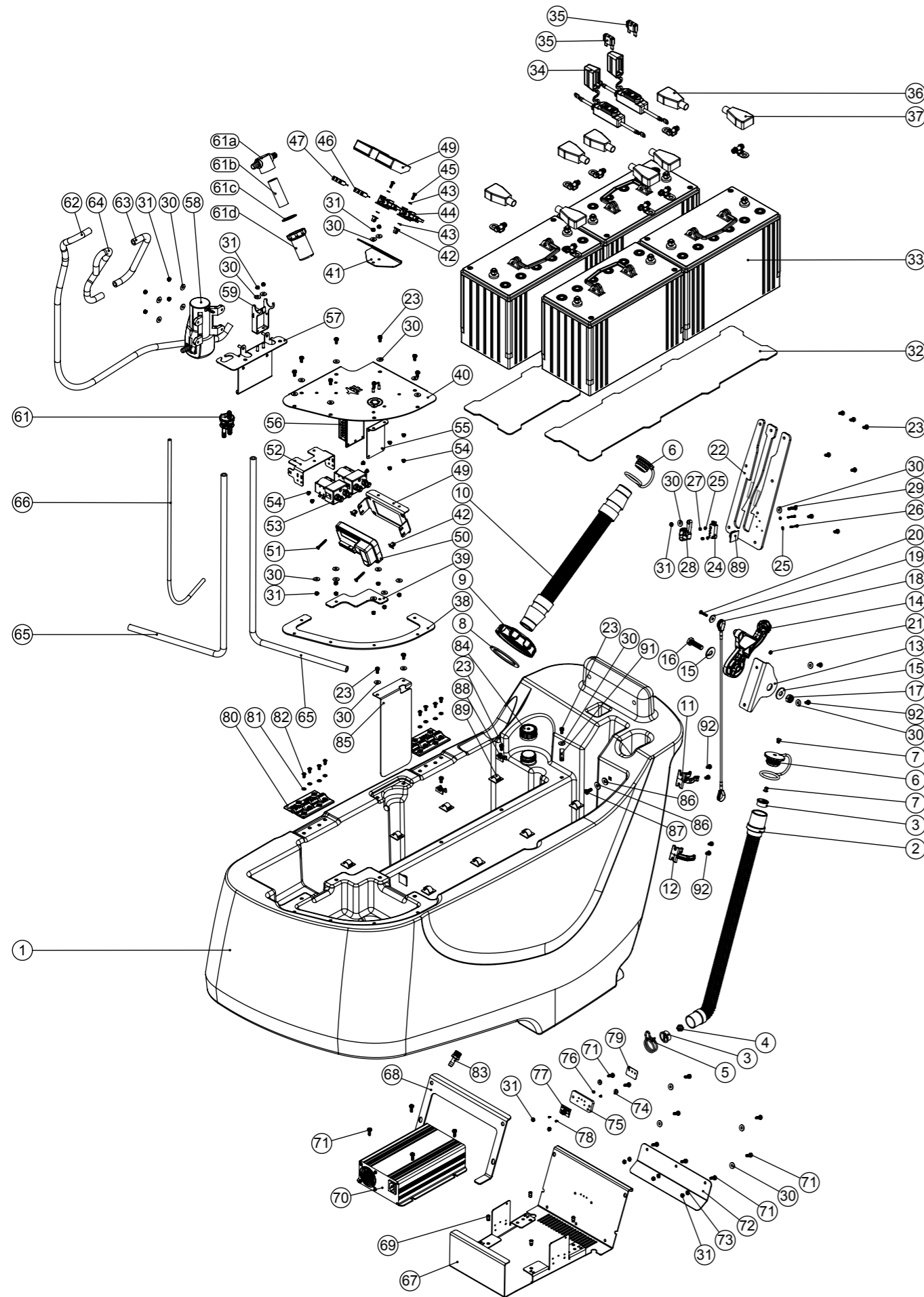
ITEM NO.	Item_No	DESCRIPTION	COMMENTS:	QTY.
1	905358	TANGENTIAL VAC MOTOR BRACKET (PP)		1
2	208334	30MM x 20MM ANTI VIBRATION MOUNT		3
3	208144	38MM GROMMET X 6MM PANEL THICKNESS		2
4	219560	M6 FORM B STAINLESS STEEL WASHER		6
5	219642	M6 STAINLESS STEEL NYLON INSERT NUT		6
6	906443	24V TANGENTIAL DISCHARGE 2-STAGE VAC MOTOR & PLUG ASSEMBLY		1
7	208306	SILENCER FOAM TUBE		1
8	219644	M5 FORM G STAINLESS STEEL WASHER		11
9	291132	M5 X 16MM LONG STAINLESS STEEL POZI PAN SEMS SCREW		11
10	905360	VAC MOTOR BOTTOM PLATE LINER		1
11	905359	VAC MOTOR BOTTOM PLATE		1
12	907225	FLOAT PAD ( FOR 85L TANK)		1
13	208947	INNER FOAM FILTER/OUTER FOAM FILTER		1
14		INNER FOAM FILTER/OUTER FOAM FILTER		
15	906135	TGB 8572 TOP TANK		1
16	237688	FOAM FILTER BODY		1
17	903283	FILTER BASKET (RED)		1
18	903284	PROCESSED FILTER BASKET LID (RED)		1
19	208204	495MM LONG LIFTING LINK WIRE		1
20	219647	M6 FORM G STAINLESS STEEL WASHER		2
21	902232	M6 X 25MM LONG POZI PAN SCREW STAINLESS STEEL		1
22	237382	ACETAL HOSE CLIP MOULDING		1
23	291135	M5 X 10MM LONG STAINLESS STEEL POZI PAN SEMS SCREW		8
24	206209	A.B.A HOSE CLIP		1
25	237754	35-38MM HOSE CLIP		1
26	280021	35MM X 1000MM LONG 3:1 STRETCH HOSE (SHORT & LONG CUFF)		1
27	237718	HOSE GUIDE		1
28	903043	GRAPHITE GREY SEPARATOR HOOD MOULDING		1
29	391319	SEPERATOR SEALING STRIP		1
30	902919	CLIP MOULDING (RED)		2
31	219355	M5 FORM A STAINLESS STEEL WASHER	TANK HINGE FASTENERS	8
32	291004	M5 X 10MM LONG STAINLESS STEEL BUTTON HEAD SCREW	TANK HINGE FASTENERS	8
33	901548	35MM X 250MM STRETCH HOSE (3:1) C/W ADJUSTABLE CUFF + CAP		1
34	900903	HOSE CLOSURE REPLACEMENT KIT	SPARE PART	1
35	902234	FLOAT SWITCH (N.C)	903038 SPARE END TIP	1

# Numatic International Spare Parts

Model No: TGB 8572 BOTTOM TANK ASSY

NB: FOR WIRING SEE DRAWING: WD-0???

Internal Code: 905422  
 DRAWING: DRW-24709 ISS:A09  
 PRO 05/10/2017



# Numatic International Spare Parts

Model No: TGB 8572 BOTTOM TANK ASSY

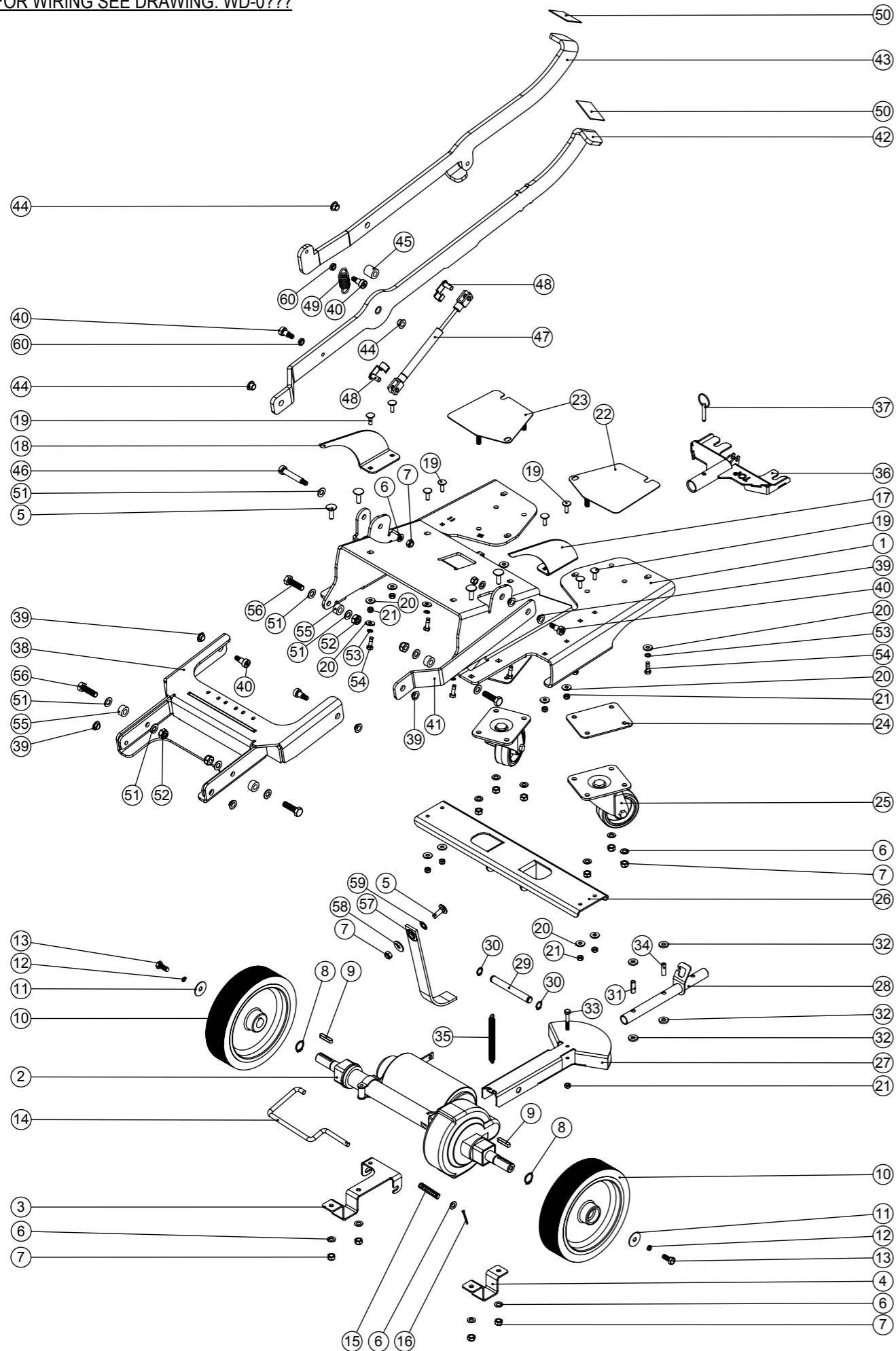
ITEM:	PART No:	DESCRIPTION	COMMENTS:	QTY.
1	905339	TGB 8572 BOTTOM TANK		1
2	213025	DUMP HOSE		1
3	904108	FLOAT STOP MOULDING		2
4	904109	FLOAT MOULDING		1
5	902133	SPRING WIRE CLAMP (YDNAC-Y8010356)		1
6	903341	32MM HOSE CAP RED (C/W 8MM HOLE)		2
7	904403	BARBED RIVET BLACK		2
8	208564	FILLER CAP SEALING RING		1
9	237174	FILLER CAP WITH FILLER HOSE HOLE		1
10	206842	420MM LONG BLACK STRETCH HOSE C/W CUFFS		1
11	901916	28mm HOSE CLIP		1
12	237754	35-38MM HOSE CLIP		1
13	903270	FLOOR TOOL HANDLE BRACKET Z/PL		1
14	902324	RED SQUEEGEE LIFT HANDLE		1
15	291124	M10 PENNY WASHER STAINLESS STEEL		2
16	219895	M10 X 35MM LONG HEXAGONAL STAINLESS STEEL SCREW		1
17	219897	M10 STAINLESS STEEL NYLON INSERT NUT		1
18	208989	LIFTING WIRE TTV5565		1
19	291118	M5 STAINLESS STEEL WASHER 19MM OD		1
20	219686	M4 X 20MM LONG STAINLESS STEEL POZI PAN MACHINE SCREW		1
21	219687	M4 STAINLESS STEEL NYLON INSERT NUT		1
22	404118	DECK LIFT GUIDE (ZINC PLATED)		1
23	291131	M5 X 12MM LONG STAINLESS STEEL POZI PAN SEMS SCREW		20
24	208748	IP RATED MICROSWITCH		1
25	219501	M3 FORM A STAINLESS STEEL WASHER		4
26	904052	M3 X 25MM LONG POZI PAN SCREW STAINLESS STEEL		2
27	291154	M3 NYLON INSERT NUT STAINLESS STEEL		2
28	227587	CENTRE SWITCH OPERATING LEVER MOULDING		1
29	219575	M5 X 25MM LONG POZI PAN STAINLESS STEEL SCREW		1
30	219644	M5 FORM G STAINLESS STEEL WASHER		34
31	219633	M5 STAINLESS STEEL NYLON INSERT NUT		21
32	905357	BATTERY PLATE (8572)		2
33	205112	100 AMP/HOUR REPLACEMENT BATTERY (C/W PACKING FOR 230138 BATTERY)		4
34	903175	WATERPROOF BATTERY FUSE HOLDER.210.RING.RING		2
35	221047	40 AMP MAXI FUSE		2
36	208936	BLACK BATTERY TERMINAL COVER (415N8V14)		4
37	208935	RED BATTERY TERMINAL COVER (415N8V02)		4
38	905330	ELECTRONICS PLATE GASKET L/H (8572)		1
39	905331	ELECTRONICS PLATE GASKET R/H (8572)		1
40	905329	ELECTRONICS PLATE C/W STUDS (8572)		1
41	902254	FUSE BRACKET PAINTED SILVER		1
42	900986	NYLON GROMMET NUT (PLASTIC INSERT TO SUIT No 8 PLASTITE SCREW)		4
43	291145	M4 SHAKEPROOF WASHER STAINLESS STEEL		4
44	230102	FUSE HOLDER RATED AT 60 AMPS		2
45	219569	NO8. 1/2 INCH. LG. POZI-PAN. SCREW. STAINLESS STEEL. PLASTITE		2
46	230104	30 AMP MAXI FUSE		1
47	221091	20 AMP MAXI FUSE		1
49	208802	MAXI-FUSE HOLDER COVER		2
49	904096	MOTOR CONTROLLER BRACKET PAINTED SILVER		1
50	904459	PROGRAMMED 70A MOTOR CONTROLLER (TGB)		1
51	219826	NO8 X 1 1/4 INCH LONG POZI DRIVE COUNTERSUNK HEAD SCREW		2
52	902253	CONTACTOR BRACKET PAINTED SILVER		1
53	230111	CONTACTOR		2
54	219566	M4 X 6MM LONG POZI PAN SCREW		8
55	905356	PUMP CONTROL UNIT PLATE (8572)		1
56	905341	KEMO PWM POWER CONTROL 10A M171		1
57	905332	PUMP PLATE C/W STUDS (8572)		1
58	206726	FLOJET PUMP 24V DC / 2 AMPS		1
59	304521	FILTER PLATE ASSEMBLY		1
61	208888	EXTENDED STRAINER		1
61a	208827	STRAINER BLACK TOP		
61b	208889	EXTENDED STRAINER 50 MESH SCREEN		
61c	208830	STRAINER GASKET		
61d	208890	68MM EXTENDED STRAINER CLEAR BOWL		
61	903445	FLOW DIVIDER ASSY		1
62	905385	TANK TO FILTER TUBE		1
63	905387	FILTER TO PUMP TUBE		1
64	905388	PUMP TO FLOW DIVIDER TUBE		1
65	905389	FLOW DIVIDER TO BRUSH TUBE		2
66	905390	VENT TUBE		1
67	905340	CHARGER PLATE (20A) PAINTED SILVER GREY		1
68	208337	CHARGER PLATE PUNCHED GASKET		1
69	219558	M5 STAINLESS STEEL NUTSERT		4
70	230261	NUMATIC 600W CHARGER		1
71	291132	M5 X 16MM LONG STAINLESS STEEL POZI PAN SEMS SCREW		13
72	902257	CHARGER SPLASH SKIRT PAINTED SILVER		1
73	291020	M5 STAINLESS STEEL EXTERNAL SHAKEPROOF LOCK WASHER		3
74	219462	RUBBER WASHER		2
75	902493	CHARGER LED PCB SPACER (5565/4555)		1
76	291115	M2 X 4.2MM LONG TAPPEX (071M2)		2
77	280002	CHARGER LED DISPLAY PCB		1
78	219978	M2 X 6MM LONG POZI PAN SCREW		2
79	208978	CHARGER LIGHTS OVERLAY		1
80	303954	PLASTIC HINGE ASSEMBLY		2
81	219355	M5 FORM A STAINLESS STEEL WASHER		8
82	291004	M5 X 10MM LONG STAINLESS STEEL BUTTON HEAD SCREW		8
83	219389	3/8 BSPP MALE C/W UNDERCUT & O RING TO 10.5MM HOSETAIL		1
84	208106	BOTTLE CAP		1
85	905336	RETAINER PLATE		1
86	219647	M6 FORM G STAINLESS STEEL WASHER		2
87	219646	M6 X 16MM LONG POZI PAN STAINLESS STEEL SCREW		1
88	220904	CABLE CLIP PLATFORM		2
89	220403	CABLE CLIP		10
90	902666	BATTERY CONNECTOR (M6 - M10)		8
91	219514	P-CLIP		1
92	291135	M5 X 10MM LONG STAINLESS STEEL POZI PAN SEMS SCREW		6

# Numatic International Spare Parts

Model No: TGB 8572 CHASSIS ASSY

NB: FOR WIRING SEE DRAWING: WD-0???

Internal Code: 905415  
 DRAWING: DRW-24707 ISS:A05  
 PRO 05/10/2017



# Numatic International Spare Parts

Model No: TGB 8572 CHASSIS ASSY

ITEM:	PART No:	DESCRIPTION	COMMENTS:	QTY.
1	905347	TGB 8572 CHASSIS WELD ASSY		1
2	206724	TRANSAXLE		1
3	392089	TRANSAXLE CLAMP AND BRAKE LEVER BRACKET		1
4	329497	TRANSAXLE MOUNTING BRACKET		1
5	902010	M8 X 25 COACH BOLT S/S		5
6	219578	M8 FORM A STAINLESS STEEL WASHER		13
7	219639	M8 STAINLESS STEEL NYLON INSERT NUT		15
8	219889	19MM HEAVY DUTY CIRCLIP		2
9	206744	6MM X 6MM X 32MM FEATHER KEY		2
10	204115	200MM X 50MM TRACTION WHEEL - GREY PU TREAD COMBED PROFILE		2
11	219877	M8 X 30 STAINLESS STEEL WASHER		2
12	219898	M8 SINGLE COIL STAINLESS STEEL WASHER		2
13	219717	M8 X 20MM LONG HEXAGONAL STAINLESS STEEL BOLT		2
14	303769	BRAKE LEVER		1
15	219326	50MM LONG COMPRESSION SPRING		1
16	219171	3.2MM X 28MM SPLIT COTTER PIN		1
17	905348	TGB 8572 WHEEL ARCH BRACKET LH		1
18	905349	TGB 8572 WHEEL ARCH BRACKET RH		1
19	905350	M6 X 20 COACH BOLT S/S		8
20	219647	M6 FORM G STAINLESS STEEL WASHER	BOTTOM TANK FASTENERS X8	16
21	219642	M6 STAINLESS STEEL NYLON INSERT NUT		9
22	303981	CASTOR PLATE (LEFTHAND SIDE)		1
23	303980	CASTOR PLATE (RIGHTHAND SIDE)		1
24	329581	CASTOR ADAPTOR SPACER		2
25	204116	HEAVY DUTY CASTOR. BLUE TYRE		2
26	905352	FLOOR TOOL LIFTING BRACKET SILVER GREY		1
27	303932	FLOOR TOOL LIFTING PLATE WELDED ASSEMBLY		1
28	303946	FLOOR TOOL LIFTING TUBE WELDED ASSEMBLY		1
29	206965	PIVOT AXLE		1
30	219151	13MM EXTERNAL CIRCLIP		2
31	206954	SPIRO SPACER		1
32	206964	SLIDE NYLON SPACER		4
33	291125	M6 X 40 LONG HEX BOLT STAINLESS STEEL		1
34	206963	VERTICAL NYLON SPACER		1
35	20695V	SPRING		1
36	304466	FLOOR TOOL BRACKET ASSEMBLY (TT/TTB4045/4055)		1
37	206953	DETENT PINS		1
38	905322	LINK ARM WELD ASSY		1
39	208330	IGUS BEARING (GFM 101206)		7
40	208313	M8 X 10 X 12MM LONG HEX SOCKET SHOULDER BOLT		5
41	905326	BRUSH DECK LIFTING LINK		1
42	905345	FOOT PEDAL LEVER ZINC PLATED		1
43	404120	EXTRA PRESSURE DECK ARM (ZINC PLATED) (PRESSURE OFF VERSION)		1
44	208331	IGUS BEARING (GFM 101209)		3
45	208350	NYLON SPACER I/D 10.2MM X O/D 20.0MM X LENGTH 21.0MM		1
46	208333	M8 X 10 X 50MM LONG HEX SOCKET SHOULDER BOLT		1
47	208325	TTV5565 GAS STRUT		1
48	208634	GAS RAM CLEVIS CLIP		2
49	208555	PRESSURE OFF SPRING		1
50	903064	FOOT PEDAL PAD (RED)		2
51	219903	M10 FORM A STAINLESS STEEL WASHER		9
52	219897	M10 STAINLESS STEEL NYLON INSERT NUT		4
53	902353	M6 EXTERNAL SHAKEPROOF WASHER STAINLESS STEEL	BOTTOM TANK FASTENERS	6
54	291144	M6 X 20MM LG HEX HEAD SCREW STAINLESS STEEL C/W THREADLOCK	BOTTOM TANK FASTENERS	8
55	905732	NYLON SPACER ID 10.2MM X OD 20MM X LENGTH 10MM		4
56	219895	M10 X 35MM LONG HEXAGONAL STAINLESS STEEL SCREW		4
57	903683	ANTI-STATIC STRAP (CUT TO LENGHT: 270MM LONG)		1
58	219716	M8 FORM G STAINLESS STEEL WASHER		1
59	291062	M10 INTERNAL LOCK WASHER STAINLESS STEEL		1
60	219751	M8 STAINLESS STEEL HALF NUT		2