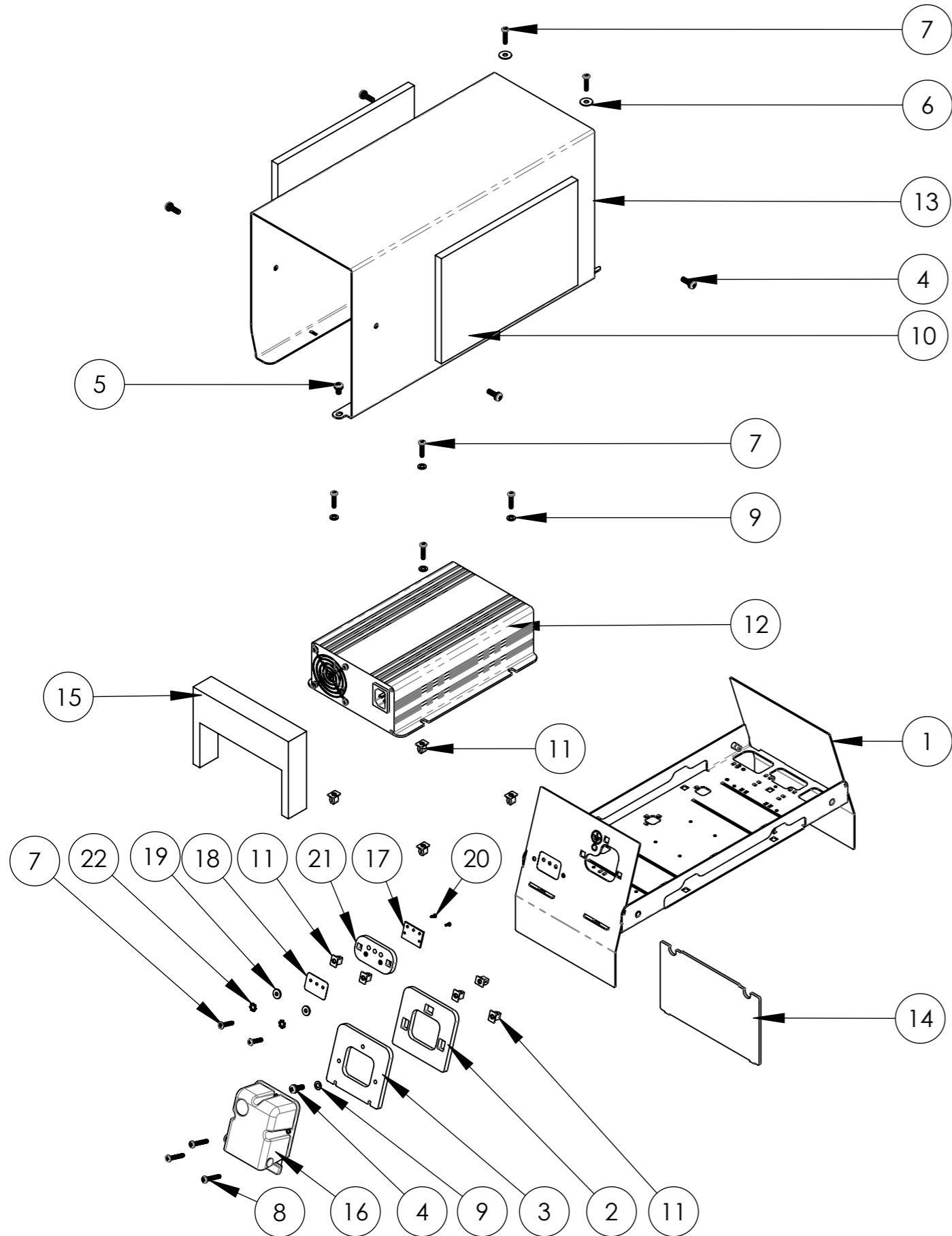


# Numatic International Spare Parts

Model No: 230V 20A CHARGER ASSEMBLY (TRG) EXPLODED DRAWING

Internal Code: 908737  
 DRAWING: DRW-27830 ISS:A11  
 MS5 14/03/2019

NB: FOR WIRING SEE DRAWING:  
 200T 230V : DRW-28869  
 300T 230V : DRW-29208



# Numatic International Spare Parts

Model No: 230V 20A CHARGER ASSEMBLY (TRG) EXPLODED DRAWING

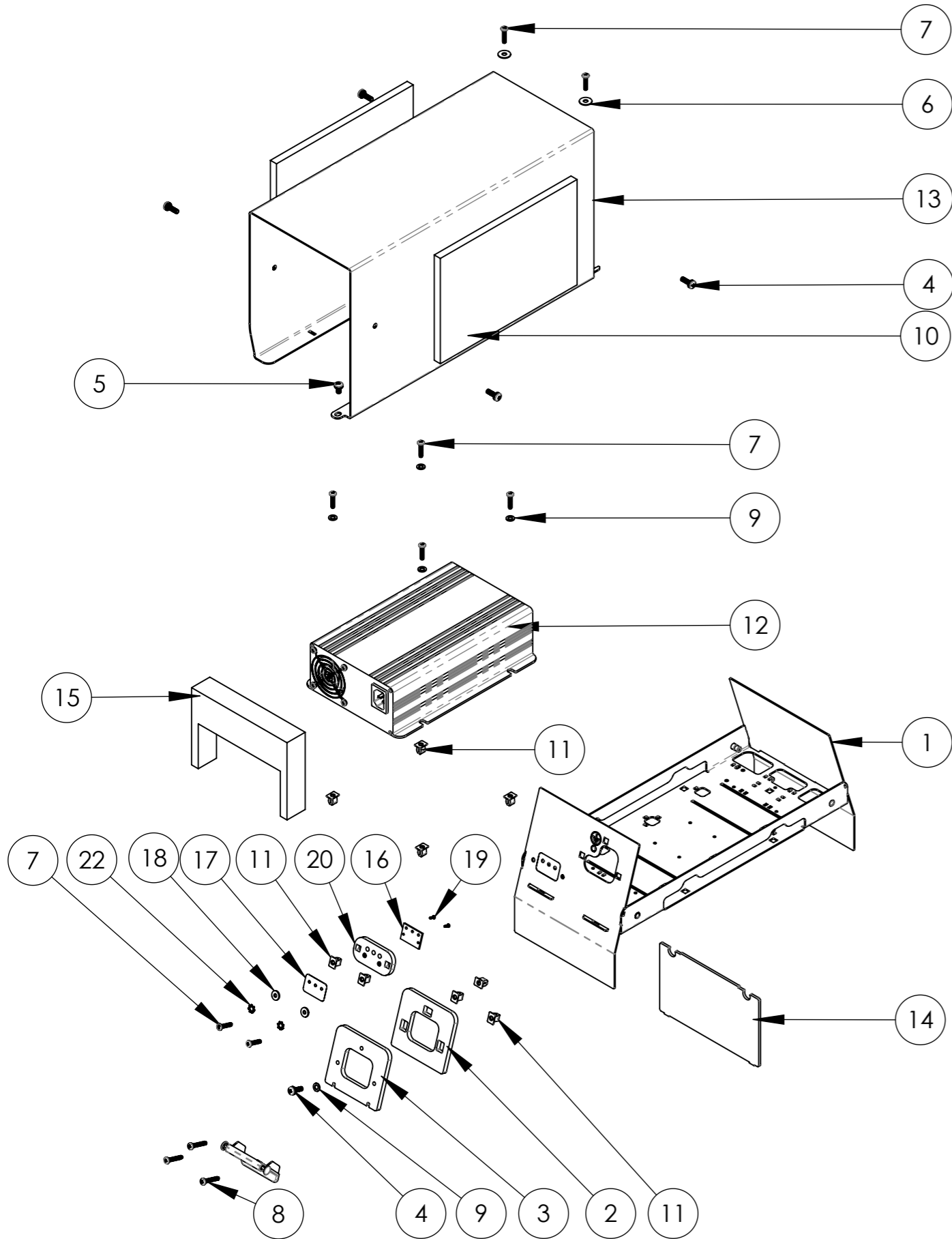
ITEM:	PART No:	DESCRIPTION	COMMENTS:	QTY
1	908733	CHARGER TRAY WELD ASSEMBLY (TRG) PAINTED SILVER		1
2	904505	IEC SOCKET SPACER PP		1
3	904504	IEC SOCKET SECONDARY SPACER PP		1
4	291132	M5 X 16MM LONG STAINLESS STEEL POZI PAN SEMS SCREW		5
5	291135	M5 X 10MM LONG STAINLESS STEEL POZI PAN SEMS SCREW		1
6	219644	M5 FORM G STAINLESS STEEL WASHER		2
7	219568	NO8.3/4 INCH LG.POZI-PAN.SCREW.STAINLESS STEEL.PLASTITE		8
8	219369	No8 X 1 INCH LONG POZI PAN STAINLESS STEEL PLASTITE SCREW		3
9	219355	M5 FORM A STAINLESS STEEL WASHER		5
10	208645	FOAM BATTERY SPACER		2
11	900986	NYLON GROMMET NUT (PLASTIC INSERT TO SUIT No 8 PLASTITE SCREW)		9
12	230261	NUMATIC 600W CHARGER		1
13	908731	CHARGER COVER (TRG) PAINTED SILVER		1
14	908734	CHARGER AIR DEFLECTOR (TRG) PP		1
15	904576	AIR SEPARATOR (20A CHARGER)		1
16	904032	240V EMI FILTER WITH SOCKET COVER ASSEMBLY C/W FLAP		1
17	280002	CHARGER LED DISPLAY PCB		1
18	208978	CHARGER LIGHTS OVERLAY		1
19	219462	RUBBER WASHER REF NO. 0380810		2
20	905565	M2 X 6MM LONG POZI PAN SCREW ST/ST		2
21	908735	CHARGER LED PCB SPACER C/W INSERTS (TRG) PP		1
22	291020	M5 STAINLESS STEEL EXTERNAL SHAKEPROOF LOCK WASHER		2

# Numatic International Spare Parts

**Model No:** 120V 20A CHARGER ASSEMBLY (TGB) EXPLODED DRAWING

Internal Code: 908738  
 DRAWING: DRW-27844 ISS:A09  
 MS5 14/03/2019

NB: FOR WIRING SEE DRAWING:  
 200T 120V : DRW-29205  
 300T 120V : DRW-29210



# Numatic International Spare Parts

**Model No:** 120V 20A CHARGER ASSEMBLY (TGB) EXPLODED DRAWING

ITEM:	PART No:	DESCRIPTION	COMMENTS:	QTY
1	908733	CHARGER TRAY WELD ASSEMBLY (TRG) PAINTED SILVER		1
2	904505	IEC SOCKET SPACER PP		1
3	904504	IEC SOCKET SECONDARY SPACER PP		1
4	291132	M5 X 16MM LONG STAINLESS STEEL POZI PAN SEMS SCREW		5
5	291135	M5 X 10MM LONG STAINLESS STEEL POZI PAN SEMS SCREW		1
6	219644	M5 FORM G STAINLESS STEEL WASHER		2
7	219568	NO8.3/4 INCH LG.POZI-PAN.SCREW.STAINLESS STEEL.PLASTITE		8
8	219369	No8 X 1 INCH LONG POZI PAN STAINLESS STEEL PLASTITE SCREW		3
9	219355	M5 FORM A STAINLESS STEEL WASHER		5
10	208645	FOAM BATTERY SPACER		2
11	900986	NYLON GROMMET NUT (PLASTIC INSERT TO SUIT No 8 PLASTITE SCREW)		9
12	230261	NUMATIC 600W CHARGER		1
13	908731	CHARGER COVER (TRG) PAINTED SILVER		1
14	908734	CHARGER AIR DEFLECTOR (TRG) PP		1
15	904576	AIR SEPARATOR (20A CHARGER)		1
16	280002	CHARGER LED DISPLAY PCB		1
17	208978	CHARGER LIGHTS OVERLAY		1
18	219462	RUBBER WASHER REF NO. 0380810		2
19	905565	M2 X 6MM LONG POZI PAN SCREW ST/ST		2
20	908735	CHARGER LED PCB SPACER C/W INSERTS (TRG) PP		1
21	906495	120V EMI FILTER (10A) WITH SOCKET COVER ASSEMBLY C/W FLAP		1
22	291020	M5 STAINLESS STEEL EXTERNAL SHAKEPROOF LOCK WASHER		2

**Numatic International Spare Parts**  
**VAC MOTOR ASSEMBLY (TRG) 2**  
**Model No: STAGE EXPLODED DRAWING**

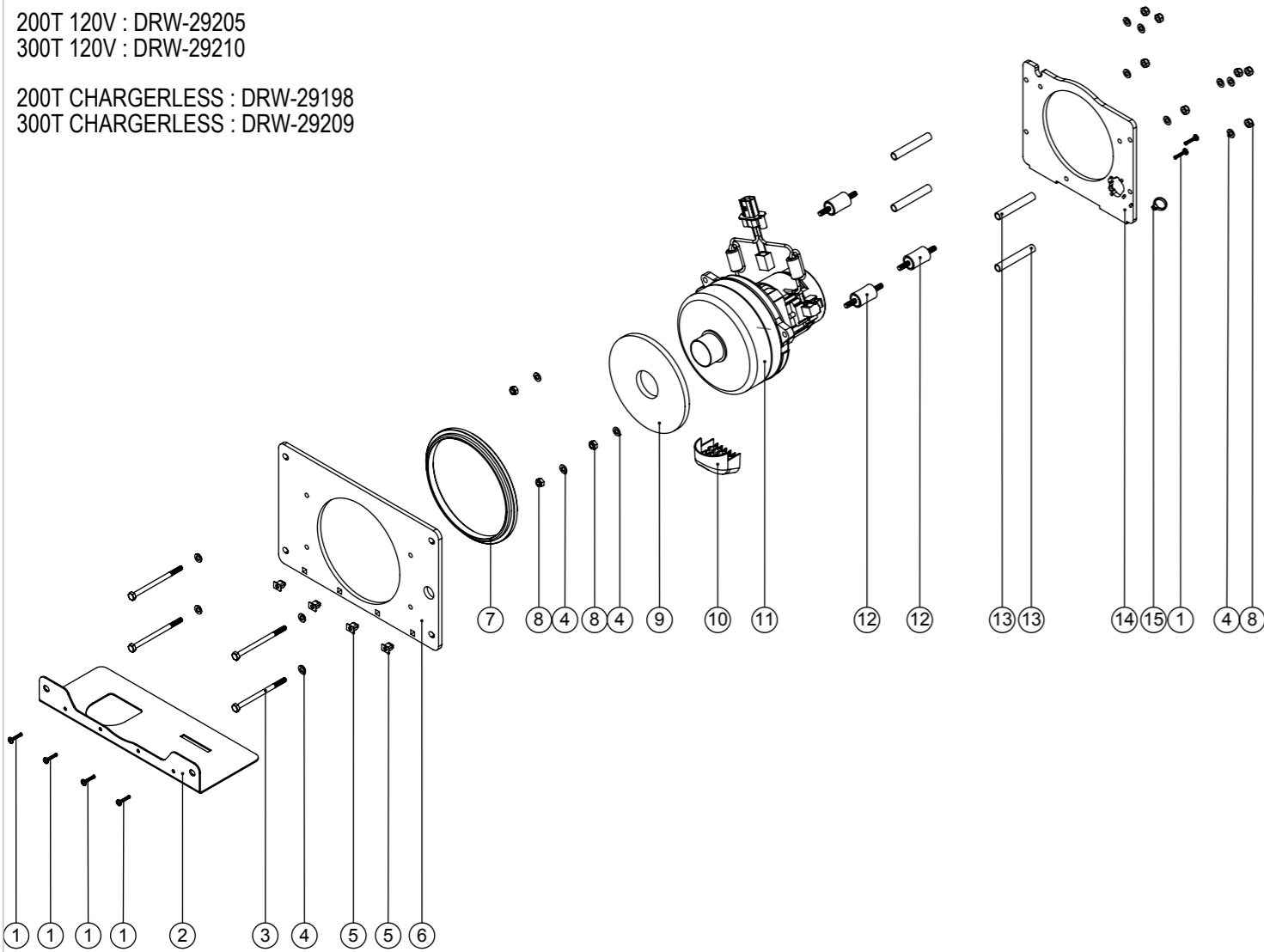
Internal Code: 908858  
 DRAWING: DRW-28717 ISS:A11  
 MS5 12/03/2019

NB: FOR WIRING SEE DRAWING:

200T 230V : DRW-28869  
 300T 230V : DRW-29208

200T 120V : DRW-29205  
 300T 120V : DRW-29210

200T CHARGERLESS : DRW-29198  
 300T CHARGERLESS : DRW-29209



**Numatic International Spare Parts**  
**Model No: VAC MOTOR ASSEMBLY (TRG) 2 STAGE EXPLODED DRAWING**

ITEM:	PART No:	Description	QTY.
1	219568	NO8.3/4 INCH LG.POZI-PAN.SCREW.STAINLESS STEEL.PLASTITE	6
2	908742	VAC MOTOR BOTTOM PLATE (TRG)	1
3	291021	M6 X 90MM LONG STAINLESS STEEL HEXAGONAL HEAD BOLT	4
4	219870	M6 FORM A WASHER STAINLESS STEEL	14
5	900986	NYLON GROMMET NUT (PLASTIC INSERT TO SUIT No 8 PLASTITE SCREW)	4
6	908740	VAC MOTOR REAR PLATE (TRG) PP	1
7	237032	>TPE< 3 STAGE MOTOR GASKET	1
8	219642	M6 STAINLESS STEEL NYLON INSERT NUT	10
9	208477	MOTOR PAD	1
10	237218	TTB 1840 VAC DIFFUSER	1
11	909389	24V TANGENTIAL DISCHARGE 2-STAGE VAC MOTOR AND PLUG ASSEMBLY EMC FIX	1
12	208334	30MM x 20MM ANTI VIBRATION MOUNT	3
13	391442	10MM O/D X 1MM WALL THICKNESS S/STEEL TUBE CUT TO LENGTH (0.065)	4
14	908744	VAC MOTOR MIDDLE PLATE (TRG) PP	1
15	220007	BLACK CABLE TIE	1

**Numatic International Spare Parts**  
**VAC MOTOR ASSEMBLY (TRG)**  
**Model No: 3 STAGE EXPLODED DRAWING**

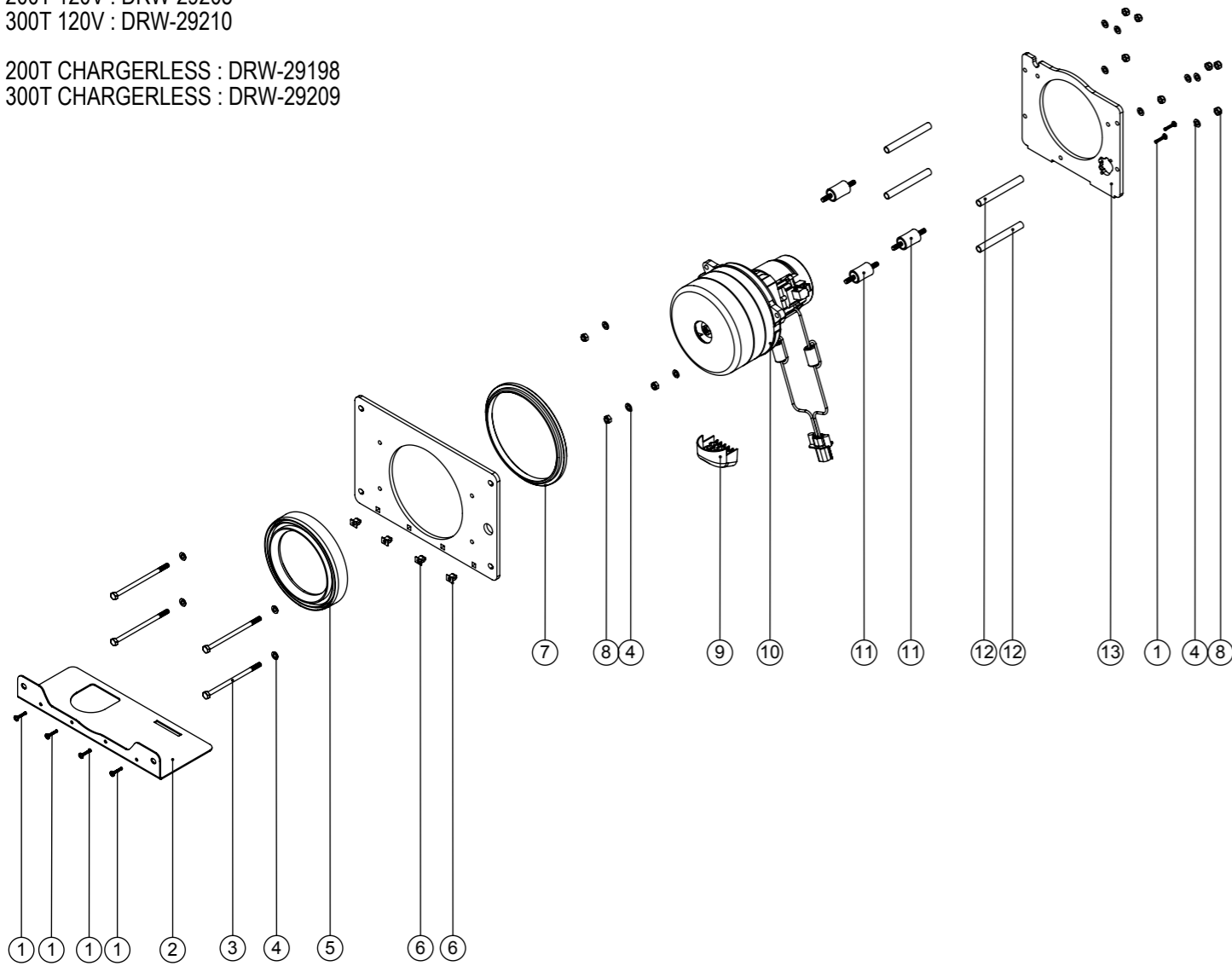
Internal Code: 908869  
 DRAWING: DRW-28724 ISS:A06  
 MS5 14/03/2019

NB: FOR WIRING SEE DRAWING:

200T 230V : DRW-28869  
 300T 230V : DRW-29208

200T 120V : DRW-29205  
 300T 120V : DRW-29210

200T CHARGERLESS : DRW-29198  
 300T CHARGERLESS : DRW-29209



**Numatic International Spare Parts**  
**Model No: VAC MOTOR ASSEMBLY (TRG) 3 STAGE EXPLODED DRAWING**

ITEM:	PART No:	Description	QTY.
1	219568	NO8.3/4 INCH LG.POZI-PAN.SCREW.STAINLESS STEEL.PLASTITE	6
2	908826	VAC MOTOR BOTTOM PLATE (TRG 3-STAGE) S/S	1
3	905559	M6 X 110MM LONG HEXAGONAL HEAD BOLT ST/ST	4
4	219870	M6 FORM A WASHER STAINLESS STEEL	14
5	202065	BOTTOM MOTOR GASKET	1
6	900986	NYLON GROMMET NUT (PLASTIC INSERT TO SUIT No 8 PLASTITE SCREW)	4
7	237032	>TPE< 3 STAGE MOTOR GASKET	1
8	219642	M6 STAINLESS STEEL NYLON INSERT NUT	10
9	237218	TTB 1840 VAC DIFFUSER	1
10	905403	3 STAGE VAC MOTOR ASSEMBLY C/W FERRITES & PANEL MOUNT PLUG	1
11	208334	30MM x 20MM ANTI VIBRATION MOUNT	3
12	391266	88.5MM LONG X 10MM DIAMETER X 1MM WALL STAINLESS STEEL TUBE	4
13	908744	VAC MOTOR MIDDLE PLATE (TRG) PP	1
14	908740	VAC MOTOR REAR PLATE (TRG) PP	1

# Numatic International Spare Parts

**Model No:** TOP TANK ASSEMBLY (TRG) EXPLODED DRAWING

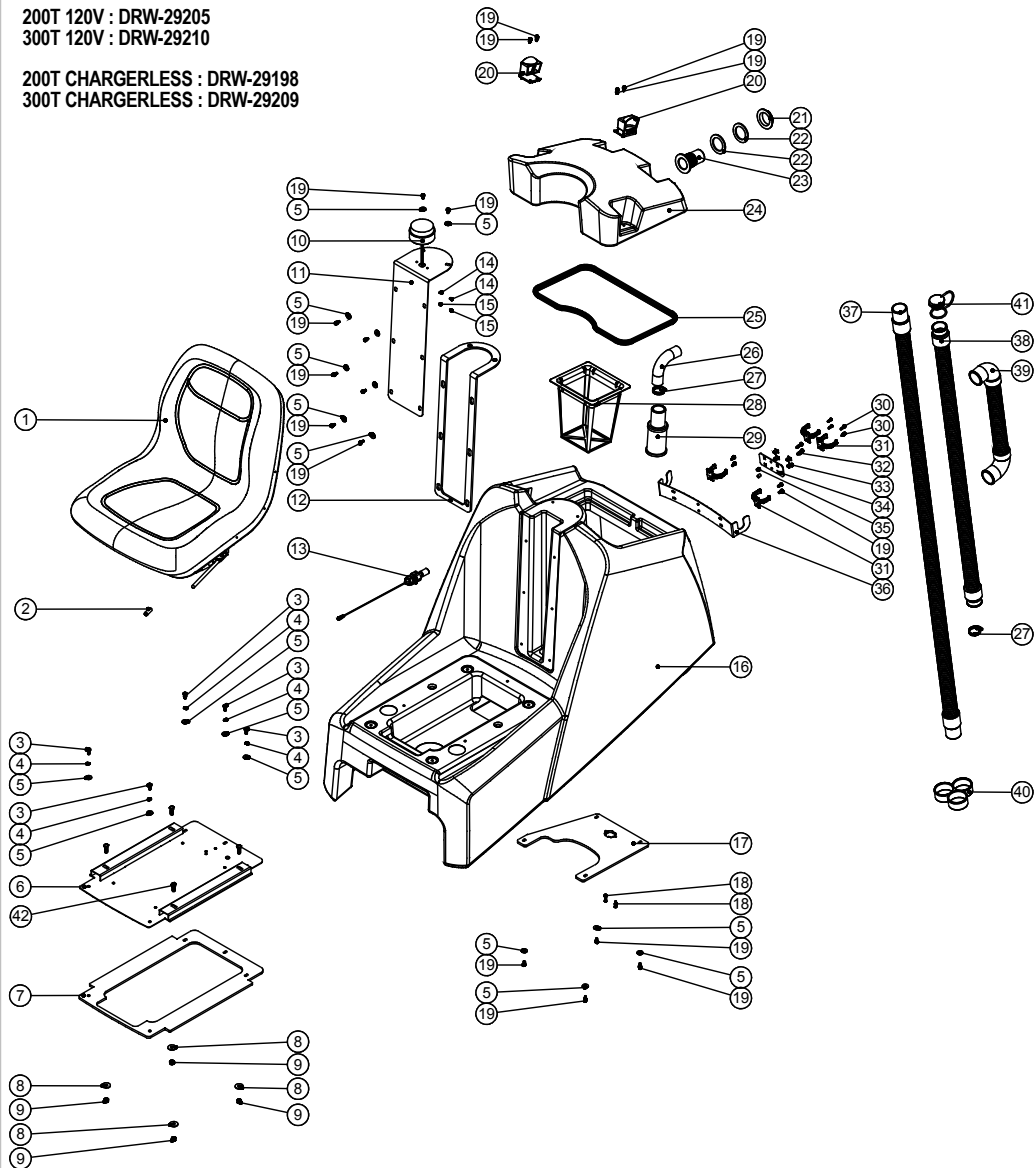
**NB:** FOR WIRING SEE DRAWING: WD-07???

**NB:** FOR WIRING SEE DRAWING:

200T 230V : DRW-28869  
300T 230V : DRW-29208

200T 120V : DRW-29205  
300T 120V : DRW-29210

200T CHARGERLESS : DRW-29198  
300T CHARGERLESS : DRW-29209



908971  
DRAWING: DRW-28731 ISS:A13  
23/07/2019

# Numatic International Spare Parts

**Model No:** TOP TANK ASSEMBLY (TRG) EXPLODED DRAWING

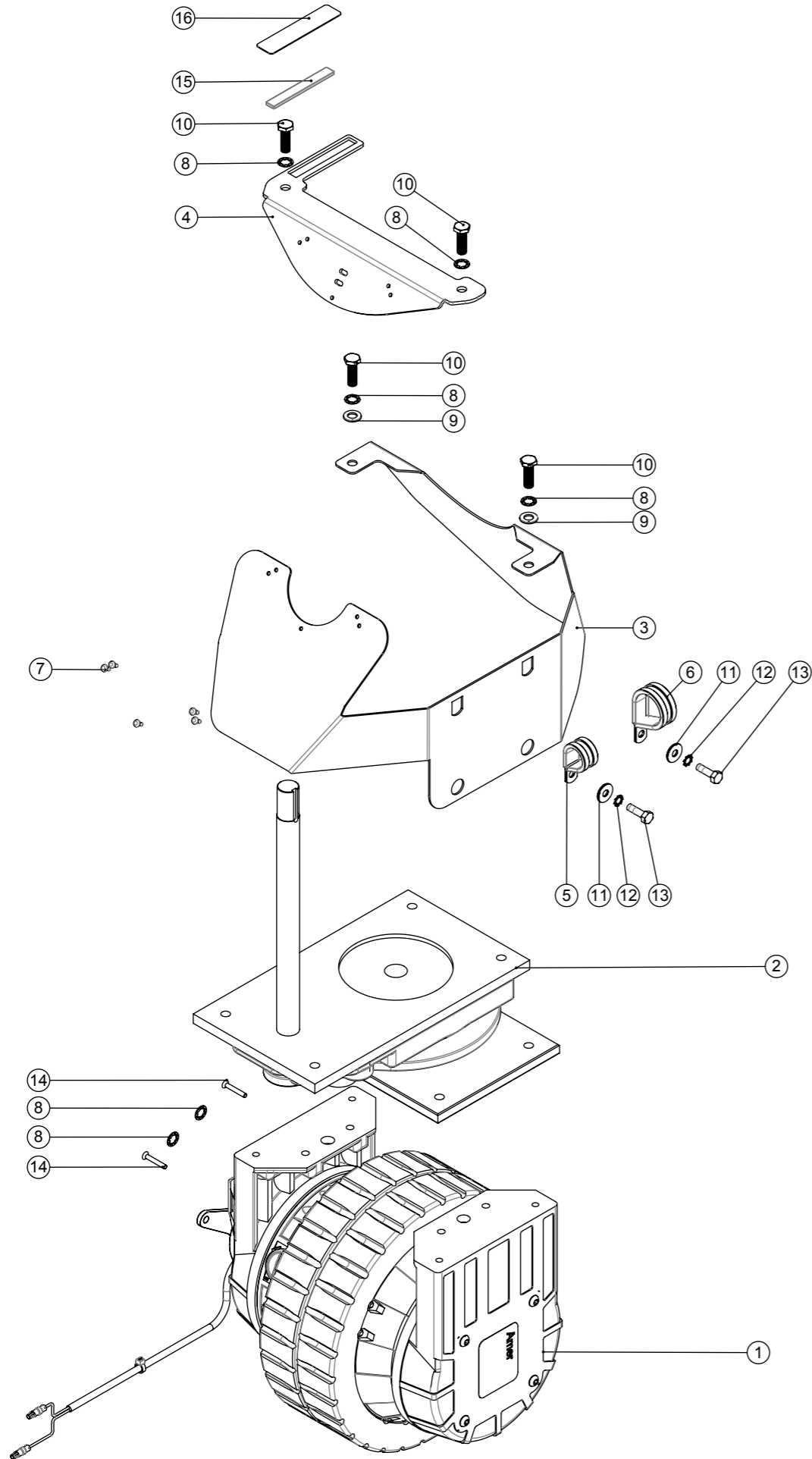
ITEM:	PART No:	Description	COMMENTS	QTY.
1	910522	MILSCO BACK SEAT XB 180		1
2	908574	RED ROD CAP (30MM)		1
3	219646	M6 X 16MM LONG POZI PAN STAINLESS STEEL SCREW		5
4	291060	WASHER M6 SHAKEPROOF STAINLESS STEEL		5
5	219647	M6 FORM G STAINLESS STEEL WASHER		17
6	908960	TRG SEAT PLATE WELD ASSEMBLY PAINTED SILVER		1
7	908760	SEAT PLATE GASKET		1
8	219716	M8 FORM G STAINLESS STEEL WASHER		4
9	219639	M8 STAINLESS STEEL NYLON INSERT NUT		4
10	208867	FLASHING XENON BEACON X80 SERIES		1
11	908817	BEACON BRACKET & COVER (TRG) M/S		1
12	908117	BEACON BRACKET & COVER GASKET		1
13	902234	FLOAT REED SWITCH ASSEMBLY		1
14	219688	M4 FORM A STAINLESS STEEL WASHER		2
15	219687	M4 STAINLESS STEEL NYLON INSERT NUT		2
16	237337	TTV TOP TANK MOULDING (GRAPHITE)		1
17	908814	TOP TANK CONNECTOR PLATE (TRG) P/P		1
18	219568	NO8.3/4 INCH LG.POZI-PAN.SCREW.STAINLESS STEEL.PLASTITE		2
19	291131	M5 X 12MM LONG STAINLESS STEEL POZI PAN SEMS SCREW		20
20	902919	CLIP MOULDING (RED)		2
21	206116	BLACK NUT		1
22	219310	RUBBER WASHER		2
23	237526	38MM RED DRAIN HOSE CONNECTOR		1
24	237336	TTV SEPARATOR MOULDING (GRAPHITE)		1
25	391209	1225MM LONG SEALING STRIP		1
26	909398	90° ISO BEND - (BS4825 PT2 LONG)		1
27	206209	A.B.A HOSE CLIP		2
28	908342	TANK FILTER (RED)		1
29	909396	FLOAT BASKET FILTER		1
30	219569	No8 X 1/2 INCH LONG POZI PAN STAINLESS STEEL PLASTITE SCREW		4
31	237754	35-38MM HOSE CLIP		4
32	291133	M5 X 20MM LONG STAINLESS STEEL POZI PAN SEMS SCREW		2
33	900986	NYLON GROMMET NUT (PLASTIC INSERT TO SUIT No 8 PLASTITE SCREW)		4
34	902516	HOSE CLIP BRACKET		1
35	208475	8MM SPACER		2
36	329904	RIDE-ON SQUEEGEE STORAGE BRACKET		1
37	908821	SUCTION HOSE 1700MM X Ø38MM		1
38	908990	DUMP HOSE 1100MM X Ø38MM		1
39	213060	VAC HOSE 1060MM X Ø38MM		1
40	237718	HOSE GUIDE		1
41	900901	RED HOSE CLOSURE (35MM-38MM)		1
42	219717	M8 X 20MM LONG HEXAGONAL STAINLESS STEEL BOLT		4

# Numatic International Spare Parts

**Model No:** DRIVE WHEEL ASSEMBLY (TRG) EXPLODED DRAWING

Internal Code: 908970  
 TBF DRAWING: DRW-28741 ISS:A03  
 21/09/2017

NB: FOR WIRING SEE DRAWING:N/A



# Numatic International Spare Parts

**Model No:** DRIVE WHEEL ASSEMBLY (TRG) EXPLODED DRAWING

ITEM:	PART No:	DESCRIPTION	COMMENTS:	QTY
1	904964	MOTOR WHEEL & MODIFIED BRAKE LEAD ASSEMBLY (MK2)		1
2	206928	STEERING SYSTEM		1
3	904917	DRIVE WHEEL MUD FLAP		1
4	908792	DRIVE WHEEL CABLE HOLDER (TRG) S/S		1
5	904920	P-CLIP (21) STAINLESS STEEL		1
6	904921	P-CLIP P34 STAINLESS STEEL		1
7	208963	SNAP BLACK RIVET (REF SR-3055B)		5
8	902520	M8 INTERNAL WASHER SHAKEPROOF STAINLESS STEEL		6
9	219578	M8 FORM A STAINLESS STEEL WASHER		2
10	906763	M8 X 25MM LG HEX HEAD SCREW STN STEEL C/W THREADLOCK (LOW HEAD)		4
11	219647	M6 FORM G STAINLESS STEEL WASHER		2
12	902353	M6 EXTERNAL SHAKEPROOF WASHER STAINLESS STEEL		2
13	291144	M6 X 20MM LG HEX HEAD SCREW STAINLESS STEEL C/W THREADLOCK		2
14	904946	M4 X 25MM LG. POZI CSK SCREW (STAINLESS STEEL)		2
15	908115	75 X 10 X 3MM THICK N42 NEODYMIUM MAGNET (F75103-2)		1
16	908793	MAGNET COVER (RED PP)		1

# Numatic International Spare Parts

Model No: STEERING COLUMN ASSEMBLY (TRG) EXPLODED DRAWING

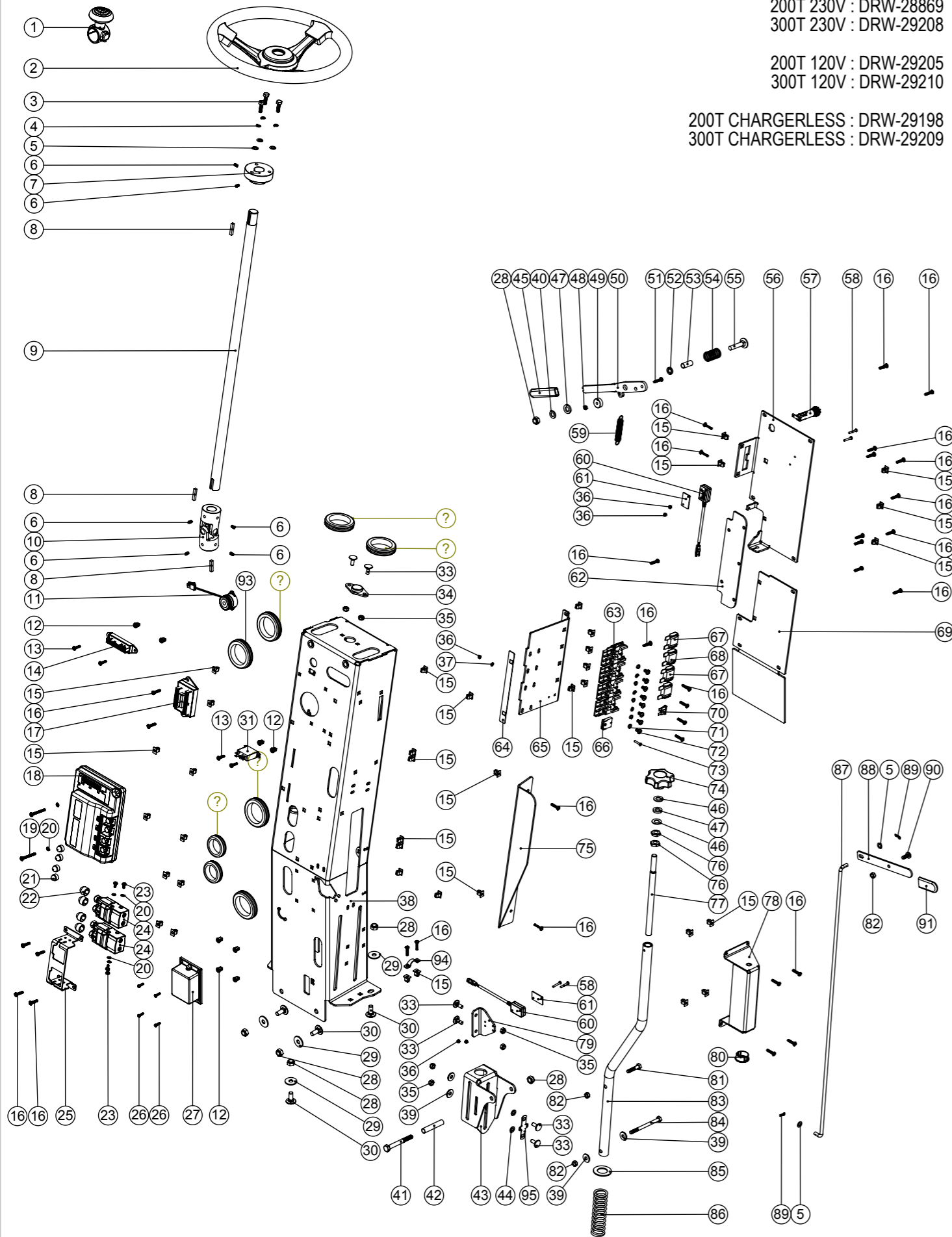
Internal Code: 908989,908975,908974  
 DRAWING: DRW-28750 ISS:A11  
 MS5 29/03/2019

NB: FOR WIRING SEE DRAWING:

200T 230V : DRW-28869  
 300T 230V : DRW-29208

200T 120V : DRW-29205  
 300T 120V : DRW-29210

200T CHARGERLESS : DRW-29198  
 300T CHARGERLESS : DRW-29209



# Numatic International Spare Parts

Model No: STEERING COLUMN ASSEMBLY (TRG) EXPLODED DRAWING

ITEM	PART No:	DESCRIPTION	COMMENTS	QTY.
1	208104	STEERING WHEEL KNOB		1
2	206961	300MM STEERING WHEEL C/W CENTRE CAP		1
3	219976	M6 X 20MM LONG HEXANGONAL HEAD SET SCREW		3
4	219549	M6 SINGLE COIL WASHER		3
5	219560	M6 FORM B STAINLESS STEEL WASHER		5
6	219784	M5 X 8MM LONG BLACKODISED GRUB SCREW		6
7	206960	RIDE-ON STEERING WHEEL ADAPTOR		1
8	905374	UNIVERSAL JOINT KEY	SPARES PART	3
9	206940	STEERING SHAFT		1
10	N/A	UNIVERSAL JOINT		1
11	906671	24V DC BUZZER C/W CONNECTOR		1
12	908769	NYLON GROMMET NUT (PLASTIC INSERT TO SUIT NO 6 PLASTITE SCREW)		8
13	N/A	NO6 X 5/8 INCH LONG POZI-PAN PLASTITE STAINLESS STEEL SCREW		4
14	208909	POTTED TERMINAL BLOCK ASSEMBLY		1
15	900986	NYLON GROMMET NUT (PLASTIC INSERT TO SUIT No 8 PLASTITE SCREW)		39
16	219568	NO8 3/4 INCH LG.POZI-PAN.SCREW.STAINLESS STEEL.PLASTITE		35
17	904179	TERMINAL BLOCK ASSEMBLY		1
18	908113	PROGRAMMED I140 24V DC MOTOR CONTROLLER (TRG)		1
19	219825	NO8 X 1 1/2 INCH LONG POZI PAN STAINLESS STEEL PLASTITE SCREW		2
20	291145	M4 SHAKEPROOF WASHER STAINLESS STEEL		6
21	907916	M6 BOLT AND NUT CAP		4
22	903260	M8 BOLT AND NUT CAP		4
23	219697	M4 X 8MM LONG POZI PAN STAINLESS STEEL SCREW		4
24	903736	24V ALBRIGHT CONTACTOR (SU60-2009)		2
25	908753	CONTACTOR BRACKET (TRG) M/S PAINTED SILVER		1
26	291053	3.5 X 12MM POZI PAN PLASTITE SCREW S/S		4
27	905341	KEMO PWM POWER CONTROL 10A M171		1
28	219639	M8 STAINLESS STEEL NYLON INSERT NUT		6
29	219716	M8 FORM G STAINLESS STEEL WASHER		4
30	291104	M8 X 20 COACH BOLT S/S		4
31	902270	24V RELAY (SPDT NON-LATCHING SURFACE MOUNT)		1
32	208029	GROMMET (32MM I/D)		2
33	291103	M6 X 16 COACH BOLT S/S		6
34	208110	IGUS (R) 2 BOLT PLAIN BEARING 20MM I/D		1
35	219642	M6 STAINLESS STEEL NYLON INSERT NUT		6
36	291154	M3 NYLON INSERT NUT STAINLESS STEEL		5
37	904219	M3 STAINLESS STEEL EXTERNAL SHAKEPROOF WASHER		1
38	908783	STEERING COLUMN WELD ASSEMBLY (TRG) M/S PAINTED SILVER		1
39	219647	M6 FORM G STAINLESS STEEL WASHER		4
40	219578	M8 FORM A STAINLESS STEEL WASHER		1
41	902517	M8 X 70MM LONG HEX BOLT STAINLESS STEEL		1
42	391199	54MM LONG X 10MM DIAMETER STAINLESS STEEL TUBE		1
43	908772	BRUSH PRESSURE ADJUSTMENT SLIDE (TRG) S/S		1
44	219493	M6 NYLON WASHER		2
45	903870	LEVER HANDLE MOULDING RED		1
46	219903	M10 FORM A STAINLESS STEEL WASHER		2
47	219964	NYLON WASHER (18MM O/D X 10.4MM I/D X 3MM THICK)		2
48	219687	M4 STAINLESS STEEL NYLON INSERT NUT		1
49	208382	MAGNET (19MM O/D)		1
50	908815	FLOOR TOOL LIFTING HANDLE (TRG) S/S		1
51	219686	M4 X 20MM LONG STAINLESS STEEL POZI PAN MACHINE SCREW		1
52	906640	CARRIAGE BOLT SPACER		1
53	391191	LEVER PIVOT SPACER (S/S 10MM O/D 8MM I/D X 24MM LONG)		1
54	219592	COMPRESSION SPRING		1
55	291120	M8 X 40 CARRIAGE BOLT S/S		1
56	909605	LEVER PIVOT/SELECTOR PLATE (TRG) Z/PL		1
57	903032	BULGIN PANEL MOUNT FUSEHOLDER		1
58	291155	M3 X 20MM LONG POZI PAN SCREW STAINLESS STEEL		4
59	206777	EXTENSION SPRING 65.3MM LONG		1
60	904501	REED SWITCH ASSEMBLY		2
61	906617	REED SWITCH WASHER PLATE		2
62	908781	FUSE PANEL VIEWING WINDOW (TRG) CLEAR PLEXIGLASS		1
63	230102	FUSE HOLDER RATED AT 60 AMPS	2 USED ON 720 / 4 USED ON 678	4
64	908747	SYMBOL BACKPLATE RED P/P		1
65	908779	FUSE HOLDER PLATE (TRG) M/S PAINTED SILVER		1
66	906564	ATO FUSE HOLDER (FKH SERIES)		1
67	221091	20 AMP MAXI FUSE	1 USED ON 720 / 0 USED ON 678	1
68	230104	30 AMP MAXI FUSE	1 USED ON 720 / 4 USED ON 678	1
69	908777	STEERING COLUMN COVER (TRG) M/S PAINTED SILVER		1
70	905570	4 AMP FUSE		1
71	219861	M5 SINGLE COIL STAINLESS STEEL WASHER		8
72	219864	M5 X 8MM LONG POZI-PAN SCREW Z/PL		8
73	902065	M3 X 16MM LONG POZI PAN SCREW STAINLESS STEEL		1
74	903281	M10 LOBE KNOB (RED)		1
75	329888	STEERING COLUMN SPLASH GAURD		1
76	219951	A4 (STAINLESS STEEL) M10 HEX LOCK NUT (HALF NUT)		2
77	905445	TRAPEZOIDAL THREADED S/S BAR TR12X6 - P3		1
78	329863	BRUSH PRESSURE ADJUSTMENT BRACKET		1
79	908780	REED SWITCH BRACKET (TRG) PAINTED SILVER		1
80	208021	19MM (3/4 INCH) SNAP BUSHING		1
81	291022	M6 X 30MM LONG STAINLESS STEEL HEXAGONAL HEAD BOLT		1
82	219983	M6 NYLOC STAINLESS STEEL FULL NUT		3
83	908824	BRUSH PRESSURE ADJUSTMENT TUBE WELD ASSY (TRG) S/S		1
84	219915	M6 X 80MM LONG STAINLESS STEEL HEXAGONAL HEAD BOLT		1
85	291162	M20 FORM B STAINLESS STEEL WASHER		1
86	208016	MANUAL BRUSH DECK ADJUSTMENT SPRING		1
87	391195	PEDAL LATCH RELEASE ROD		1
88	329850	RELEASE HANDLE		1
89	904923	MINI R-CLIP STAINLESS STEEL		2
90	219646	M6 X 16MM LONG POZI PAN STAINLESS STEEL SCREW		1
91	904191	50MM LONG DIP MOULDED HANDLE COVER (RED)		1
92	220007	BLACK CABLE TIE		17
93	220235	FLOAT GROMMET		6
94	909603	CABLE CLAMP PP		1
95	909601	CABLE CLAMP PP RED		1

# Numatic International Spare Parts

**Model No:** 720 BRUSH DECK ASSEMBLY (TRG) EXPLODED DRAWING

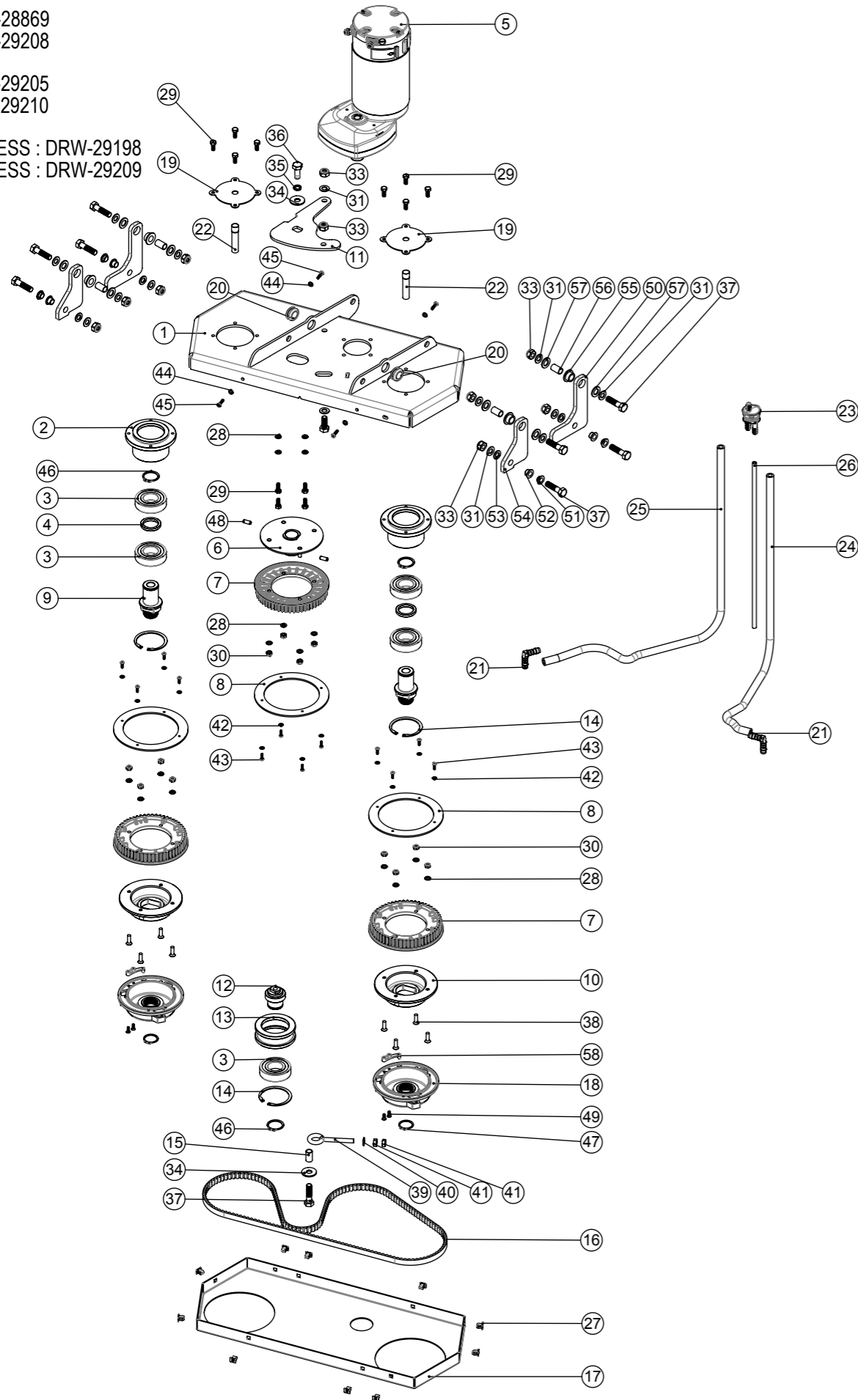
Internal Code: 908969  
 DRAWING: DRW-28759 ISS:A09  
 MS5 14/03/2019

NB: FOR WIRING SEE DRAWING:

200T 230V : DRW-28869  
 300T 230V : DRW-29208

200T 120V : DRW-29205  
 300T 120V : DRW-29210

200T CHARGERLESS : DRW-29198  
 300T CHARGERLESS : DRW-29209



# Numatic International Spare Parts

**Model No:** 720 BRUSH DECK ASSEMBLY (TRG) EXPLODED DRAWING

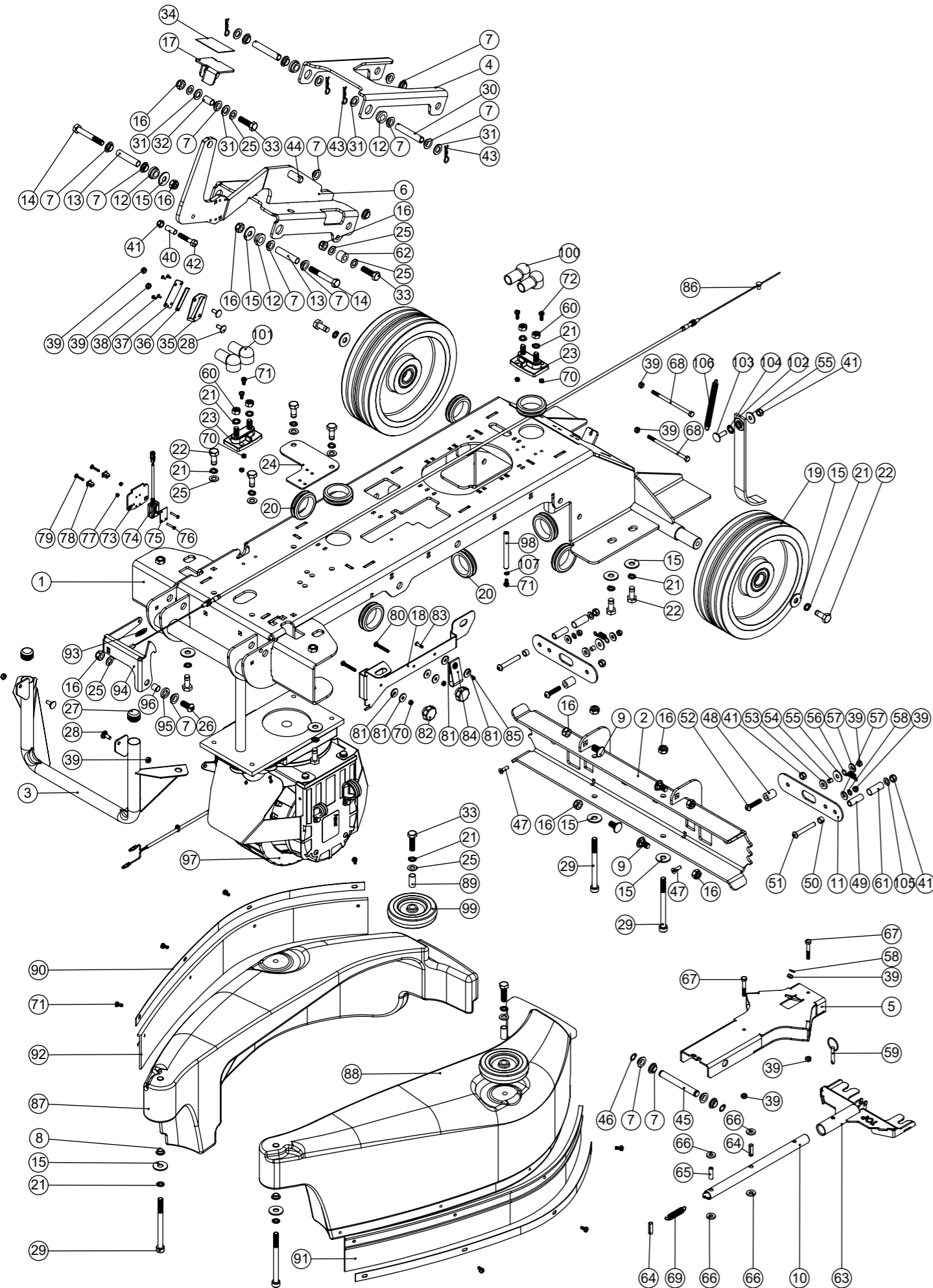
ITEM:	PART No:	DESCRIPTION	COMMENTS:	QTY
1	903617	TWIN BRUSH DECK WELD ASSY ZINC PLATED		1
2	903420	BEARING HOUSING		2
3	208878	BEARING I/D30MM O/D62MM		5
4	903439	SPACER O/D 40MM X I/D 30MM X 5MM		2
5	205192	MRP6 IP20 AMER MOTOR		1
6	904836	BRUSH MOTOR PULLEY PLATE WELD ASSY ZINC PLATED		1
7	237680	LARGE PULLEY 56TH		3
8	903423	PULLEY FLANGE PLATE		3
9	903421	BRUSH PULLEY SHAFT		2
10	903440	PULLEY MOUNTING ADAPTER		2
11	903619	TENSIONER PIVOT PLATE ZINC PLATED		1
12	903419	TENSIONER SHAFT		1
13	903424	IDLER		1
14	230200	62MM INTERNAL CIRCLIP		3
15	903429	1/2 INCH DIA X 18G S/S TUBE (0.022)		1
16	903438	BELT (GATES GT3 - 1440 - 8MGT - 12)		1
17	903428	TWIN BRUSH DECK - MAIN PLATE COVER		1
18	230285	MODIFIED CHUCK (CRO)		2
19	903432	TWIN BRUSH WATER FEED PLATE		2
20	208143	20MM GROMMET X 6MM PANEL THICKNESS		2
21	903641	10MM HOSETAIL ELBOW		2
22	903446	MOTOR SHAFT INSERT		2
23	903445	FLOW DIVIDER ASSY		1
24	391216	SILICON TUBE 8MM I/D X 3.2MM WALL SECTION (CUT 600MM)		1
25	391216	SILICON TUBE 8MM I/D X 3.2MM WALL SECTION (CUT 600MM)		1
26	903463	VENT TUBE		1
27	900986	NYLON GROMMET NUT (PLASTIC INSERT TO SUIT No 8 PLASTITE SCREW)		10
28	219870	M6 FORM A WASHER STAINLESS STEEL		16
29	219719	M6 X 16MM LONG HEXAGONAL STAINLESS STEEL HEAD BOLT		12
30	219642	M6 STAINLESS STEEL NYLON INSERT NUT		12
31	219903	M10 FORM A STAINLESS STEEL WASHER		14
32	219909	M10 X 25MM LONG HEXAGONAL STAINLESS STEEL SCREW		1
33	219897	M10 STAINLESS STEEL NYLON INSERT NUT		10
34	291124	M10 PENNY WASHER STAINLESS STEEL		2
35	219899	M10 SINGLE COIL STAINLESS STEEL WASHER		1
36	291141	M10 X 25MM LG HEX HEAD SCREW STAINLESS STEEL C/W THREADLOCK		1
37	906868	M10 X 40MM LONG HEX BOLT STAINLESS STEEL		9
38	903441	M6 X 20MM LONG STAINLESS STEEL COUNTERSUNK POZI SCREW		8
39	903422	M8 X 80MM EYE BOLT ZINC PLATED		1
40	219578	M8 FORM A STAINLESS STEEL WASHER		1
41	219079	M8 PLAIN NUT		2
42	219688	M4 FORM A STAINLESS STEEL WASHER		12
43	291061	No6 X 1/2 INCH LONG POZI PAN PLASTITE SCREW (STAINLESS STEEL)		12
44	219355	M5 FORM A STAINLESS STEEL WASHER		4
45	219568	NO8.3/4 INCH LG.POZI-PAN.SCREW.STAINLESS STEEL.PLASTITE		4
46	903435	30MM EXTERNAL CIRCLIP		3
47	230048	26MM EXTERNAL CIRCLIP		2
48	291139	6MM X 16MM STAINLESS STEEL ROLL PIN		2
49	219683	No6 X 3/8 INCH LONG POZI PAN BLACK COUNTERSUNK PLASTITE SCREW		4
50	908800	REAR LINK Z/PL		2
51	208330	IGUS BEARING (GFM 101206)		4
52	208331	IGUS BEARING (GFM 101209)		4
53	291163	NYLON WASHER 18MM O/D X 10.5MM I/D X 2MM		4
54	908802	FRONT LINK Z/PL		2
55	908830	SHOULDERED BUSH - Ø12.9MM I/D x Ø18MM O/D x 2.0MM FLANGE		4
56	303811	12.7MM DIAMETER X 18G X 20MM LONG STAINLESS STEEL TUBE		4
57	219911	PLASTIC WASHER		8
58	237730	SPRING CLIP		2



# Numatic International Spare Parts

Model No: CHASSIS ASSEMBLY (TRG) EXPLODED DRAWING

Internal Code: 908973  
DRAWING: DRW-28761 ISS:A17  
27/03/2019



# Numatic International Spare Parts

Model No: CHASSIS ASSEMBLY (TRG) EXPLODED DRAWING

ITEM:	PART No:	DESCRIPTION	COMMENTS:	QTY
1	908776	CHASSIS WELDED ASSEMBLY (TRG) PAINTED SILVER		1
2	908758	SIDE POD SLIDE PLATE ASSEMBLY (TRG) Z/PL		1
3	908759	BUMPER WELD ASSEMBLY (TRG) PAINTED SILVER		1
4	908798	BRUSH DECK REAR LINK (TRG) Z/PL		1
5	908752	SQUEEGEE LIFTING PLATE WELDED ASSEMBLY (TRG) Z/PL		1
6	908787	BRUSH DECK PEDAL ARM WELD ASSY (TRG) Z/PL		1
7	908803	IGUS BEARING (GFM-1315-06)		18
8	208330	IGUS BEARING (GFM 101206)		2
9	908846	M10 X 20MM LONG COACH BOLT STAINLESS STEEL		4
10	908836	PIVOT TUBE WELD ASSEMBLY (TRG)		1
11	908818	LATCH PLATE (TRG) C/W STUD		2
12	208058	SHOULDERED BUSH - Ø12.9MM I/D		4
13	391194	PIVOT TUBE A		2
14	904945	M10 X 70MM LONG HEX BOLT STAINLESS STEEL		2
15	291124	M10 PENNY WASHER STAINLESS STEEL		14
16	219897	M10 STAINLESS STEEL NYLON INSERT NUT		12
17	909547	TRG FOOT PEDAL HINGE BRACKET		1
18	904918	POWER PLUG BRACKET		1
19	206939	254MM DIAMETER WHEEL		2
20	908825	51MM GROMMET X 6MM PANEL THICKNESS		8
21	219899	M10 SINGLE COIL STAINLESS STEEL WASHER		20
22	291141	M10 X 25MM LG HEX HEAD SCREW STAINLESS STEEL C/W THREADLOCK		12
23	908111	POWERBAR DUAL BUSBAR - TWO 3/8"-16		2
24	908778	JUNCTION PLATE PAINTED SILVER		1
25	219903	M10 FORM A STAINLESS STEEL WASHER		13
26	219910	M10 X 25MM LONG SOCKET BUTTON HEAD STAINLESS STEEL SCREW		1
27	20637V	25.4MM TUBE END STOP		2
28	291103	M6 X 16 COACH BOLT S/S		4
29	908840	M10 X 120 SOCKET CAP SCREW STAINLESS STEEL		4
30	908834	DECK PIVOT TUBE (TRG)		2
31	219911	PLASTIC WASHER		6
32	303811	12.7MM DIAMETER X 18G X 20MM LONG STAINLESS STEEL TUBE		1
33	219895	M10 X 35MM LONG HEXAGONAL STAINLESS STEEL SCREW		5
34	909548	FOOT PEDAL GRIP PAD (65MM)		1
35	908790	MAGNET PLATE (TRG) PAINTED SILVER		1
36	906661	MAGNET (50 x 10 x 1.5mm)		1
37	906662	MAGNET COVER (CRG)		1
38	208963	SNAP BLACK RIVET (REF SR-3055B)		4
39	219642	M6 STAINLESS STEEL NYLON INSERT NUT		13
40	391191	LEVER PIVOT SPACER (S/S 10MM O/D 8MM I/D X 24MM LONG)		1
41	219639	M8 STAINLESS STEEL NYLON INSERT NUT		6
42	291112	M8 X 40 LONG HEX BOLT STAINLESS STEEL		1
43	291102	SMALL R PIN (S MASTERS 89100 SS)		4
44	391211	SILICON TUBE 30MM LONG X 8MM I/D X 3.2MM WALL SECTION		1
45	206965	PIVOT AXLE		1
46	905551	12MM EXTERNAL CIRCLIP ST/ST		2
47	908212	M6 X 20MM LONG COUNTERSUNK SOCKET SCREW STAINLESS STEEL		2
48	908804	NYLON SPACER I/D 8.2MM X O/D 16MM X 22MM LG		2
49	908811	NYLON SPACER I/D 8.2MM X O/D 12MM X 35MM LG		2
50	908813	NYLON SPACER I/D 8.2MM X O/D 12MM X 7.5MM LG		2
51	908843	M8 X 55MM LG SOCKET BUTTON HEAD BOLT STAINLESS STEEL		2
52	908842	M8 X 35MM LONG SOCKET BOLT STAINLESS STEEL		2
53	219959	M8 PLASTIC WASHER		2
54	208475	8MM SPACER		2
55	219716	M8 FORM G STAINLESS STEEL WASHER		3
56	208079	EXTENSION SPRING		2
57	219647	M6 FORM G STAINLESS STEEL WASHER		4
58	219560	M6 FORM B STAINLESS STEEL WASHER		3
59	206953	DETENT PINS		1
60	908881	3/8" - 16 NUT STAINLESS STEEL		4
61	908877	RED HANDLE COVER		2
62	905320	NYLON SPACER ID 10.2MM X OD 20MM X LENGTH 15MM		2
63	304466	FLOOR TOOL BRACKET ASSEMBLY (TT/TTB4045/4055)		1
64	206954	SPIRO SPACER		2
65	206963	VERTICAL NYLON SPACER		1
66	206964	SLIDE NYLON SPACER		4
67	291125	M6 X 40 LONG HEX BOLT STAINLESS STEEL		2
68	905559	M6 X 110MM LONG HEXAGONAL HEAD BOLT ST/ST		2
69	206955	RETURN SPRING		1
70	219633	M5 STAINLESS STEEL NYLON INSERT NUT		6
71	291131	M5 X 12MM LONG STAINLESS STEEL POZI PAN SEMS SCREW		11
72	291132	M5 X 16MM LONG STAINLESS STEEL POZI PAN SEMS SCREW		2
73	908791	REED SWITCH PLATE (SPEED CONTROL) S/S		1
74	904501	REED SWITCH ASSEMBLY		1
75	906617	REED SWITCH WASHER PLATE		1
76	291155	M3 X 20MM LONG POZI PAN SCREW STAINLESS STEEL		2
77	291154	M3 NYLON INSERT NUT STAINLESS STEEL		2
78	900986	NYLON GROMMET NUT (PLASTIC INSERT TO SUIT No 8 PLASTITE SCREW)		2
79	219568	NO8 3/4 INCH LG POZI-PAN SCREW STAINLESS STEEL PLASTITE		2
80	219661	M5 X 35MM LONG POZI PAN STAINLESS STEEL SCREW		2
81	291118	M5 STAINLESS STEEL WASHER 19MM OD		6
82	208455	TTB 1840 SQUEEGEE KNOB		2
83	904922	CLEVIS PIN 3/16 x 5/8 STAINLESS STEEL		1
84	N/A	RETAINING STRAP		1
85	904923	MINI R-CLIP STAINLESS STEEL		1
86	291099	CRO 8055 SQ. LIFT CABLE		1
87	N/A	RIGHT HAND SIDE POD MOULDING		1
88	N/A	LEFT HAND SIDE POD MOULDING		1
89	391224	1/2 INCH DIA X 18G S/S TUBE (0.026)		2
90	329843	VARIO SPLASH SKIRT FIXING STRIP		2
91	206947	SPLASH SKIRT		1
92	206947	RIDE-ON SPLASH SKIRT		1
93	208019	BRUSH PEDAL LATCH SPRING		1
94	329849	BRUSH DECK FOOT PEDAL LATCH		1
95	229346	SPACER		1
96	303810	12.7MM DIAMETER X 18G X 12.5MM LONG STAINLESS STEEL TUBE		1
97	908970	DRIVE WHEEL ASSEMBLY (TRG)	SEE DRW-28741	1
98	208804	87MM LONG ALUMINIUM SPACER		1
99	329187	100MM WHEEL (MODIFIED)		2
100	206862	BLACK PVC TERMINAL CAP		2
101	206861	RED PVC TERMINAL CAP		2
102	903683	ANTI-STATIC STRAP (CUT TO LENGTH: 270MM LONG)		1
103	902010	M8 X 25 COACH BOLT S/S		1
104	291062	M10 INTERNAL LOCK WASHER STAINLESS STEEL		1
105	219578	M8 FORM A STAINLESS STEEL WASHER		2
106	20695V	SPRING		1
107	291020	M5 STAINLESS STEEL EXTERNAL SHAKEPROOF LOCK WASHER		1

# Numatic International Spare Parts

Model No: BOTTOM TANK ASSEMBLY (TRG) EXPLODED DRAWING

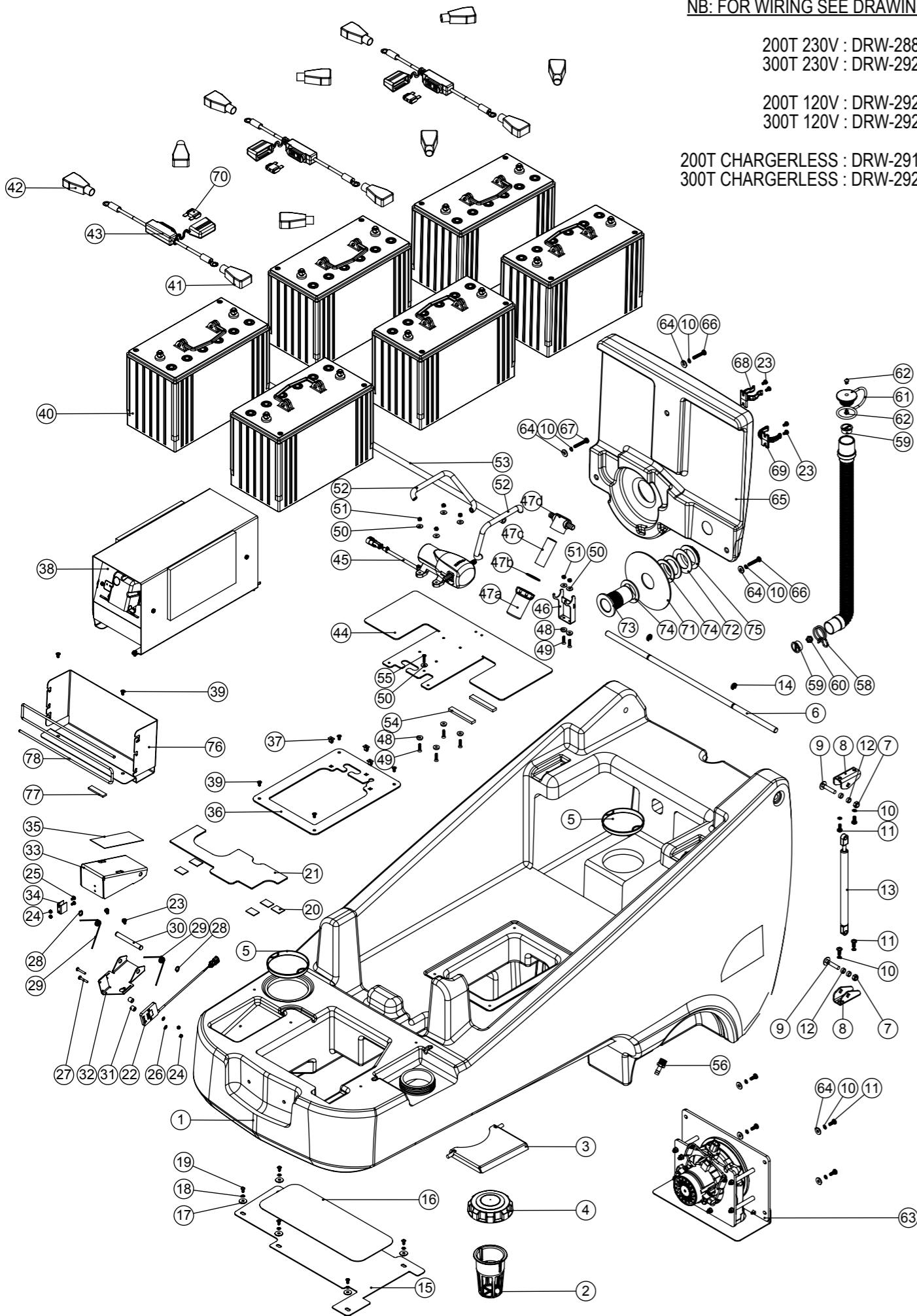
Internal Code: 908977,908978,908979,908980,908981,908982,908983,908984,908991,908985  
 MS5 DRAWING: DRW-28773 ISS:A07  
 12/09/2019

NB: FOR WIRING SEE DRAWING:

200T 230V : DRW-28869  
 300T 230V : DRW-29208

200T 120V : DRW-29205  
 300T 120V : DRW-29210

200T CHARGERLESS : DRW-29198  
 300T CHARGERLESS : DRW-29209



# Numatic International Spare Parts

Model No: BOTTOM TANK ASSEMBLY (TRG) EXPLODED DRAWING

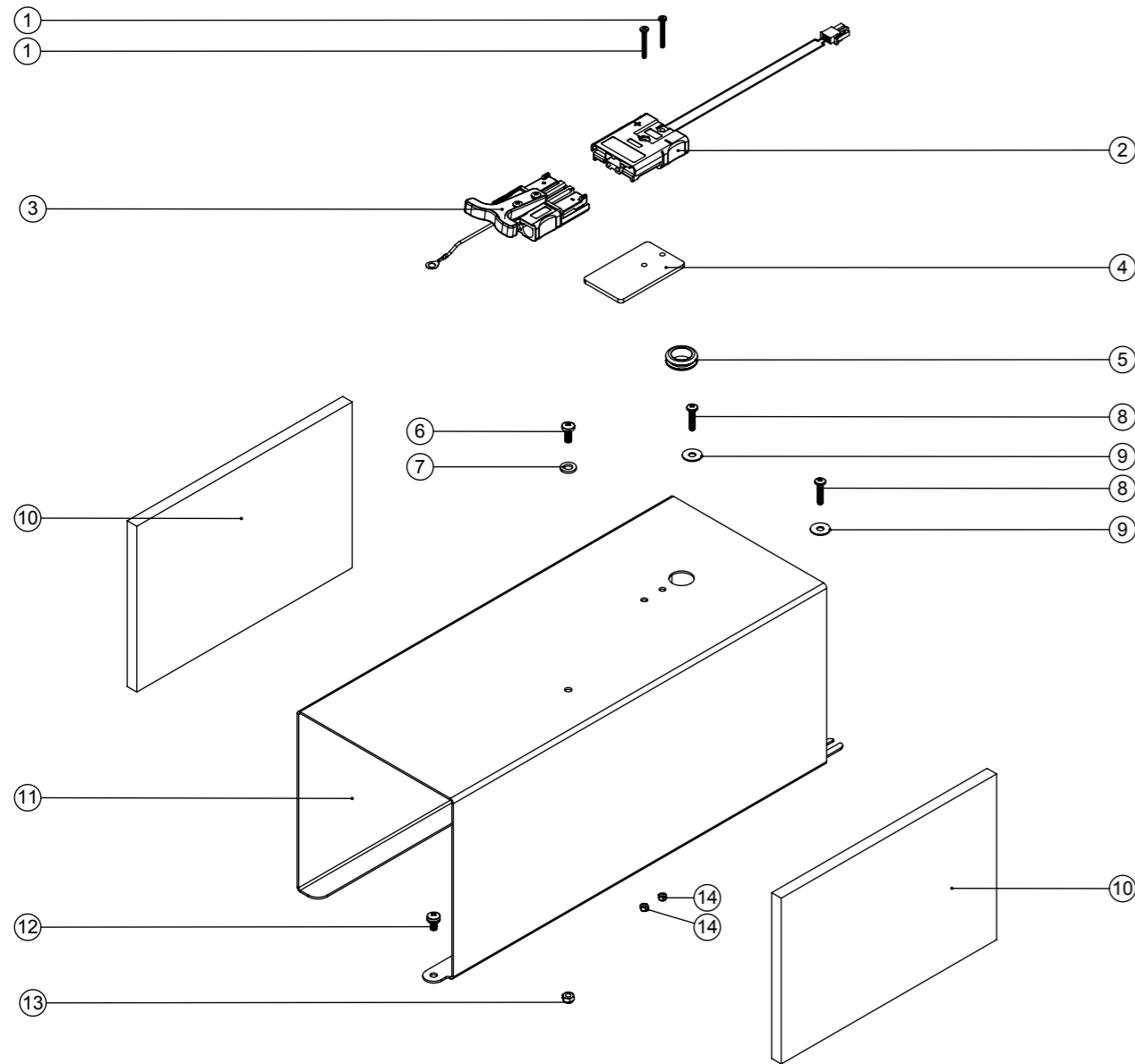
ITEM:	PART No:	DESCRIPTION	COMMENTS:	QTY
1	908838	TRG BOTTOM TANK MOULDING	WITH LOGO	1
	908972	TRG BOTTOM TANK MOULDING (EP)	WITHOUT LOGO	1
2	904197	BOTTOM TANK FILLING FILTER RED		1
3	908751	FILLER CAP COVER WELD ASSEMBLY		1
4	904198	RED FILLER CAP		1
5	219452	100MM DIAMETER HOLE PLUG		2
6	208071	TOP TANK PIVOT TUBE		1
7	219639	M8 STAINLESS STEEL NYLON INSERT NUT		2
8	392455	GAS STRUT BRACKET - CARRIAGE BOLT		2
9	291120	M8 X 40 CARRIAGE BOLT S/S		2
10	291060	WASHER M6 SHAKEPROOF STAINLESS STEEL		11
11	219646	M6 X 16MM LONG POZI PAN STAINLESS STEEL SCREW		8
12	291121	NYLON SPACER I/D 8.2MM X O/D 12MM X 5MM LG		4
13	208042	GAS STRUT		1
14	208072	PLASTIC FIXING RING		2
15	329839	FLOOR PLATE	ON-BOARD CHARGER	1
	392269	FLOOR PLATE FOR VARIO	CHARGERLESS ONLY	1
16	208998	ANTI-SLIP TREAD PAD (SELF ADHESIVE)		1
17	291118	M5 STAINLESS STEEL WASHER 19MM OD		5
18	291084	M5 SHAKEPROOF WASHER STAINLESS STEEL		5
19	291004	M5 X 10MM LONG STAINLESS STEEL BUTTON HEAD SCREW		5
20	280022	19MM X 27MM DOUBLE SIDED PAD		5
21	392463	TTV.678.3MM POLYPROPYLENE COVER		1
22	N/A	GILL SENSOR ASSEMBLY C/W EDAC 5 WAY PLUG		1
23	291135	M5 X 10MM LONG STAINLESS STEEL POZI PAN SEMS SCREW		6
24	219687	M4 STAINLESS STEEL NYLON INSERT NUT		4
25	219697	M4 X 8MM LONG POZI PAN STAINLESS STEEL SCREW		2
26	219688	M4 FORM A STAINLESS STEEL WASHER		2
27	291165	M4 X 25MM LONG POZI SCREW STAINLESS STEEL		2
28	219586	10MM EXTERNAL CIRCLIP		2
29	208047	TORSION SPRING (LEFT HAND)		2
30	208046	CIRCLIP BAR		1
31	219574	NYLON SPACER		2
32	329841	ACCELERATOR HINGE PLATE		1
33	329840	ACCELERATOR PEDAL COVER		1
34	329842	GILL SENSOR ACTIVATOR PLATE - PAINTED SILVER GREY		1
35	903855	ACCELERATOR GRIP PAD (RED)		1
36	908822	MID ADAPTOR PLATE (TRG) PP		1
37	900986	NYLON GROMMET NUT (PLASTIC INSERT TO SUIT No 8 PLASTITE SCREW)		3
38	908737	230V 20A CHARGER ASSEMBLY (TRG)	DRW-27830	1
	908738	120V 20A CHARGER ASSEMBLY (TGB)	DRW-27844	1
	908968	CHARGERLESS ENCLOSURE ASSEMBLY (TRG)	DRW-28774	1
39	291008	M5 X 10MM LONG POZI PAN COUNTERSUNK STAINLESS STEEL SCREW		6
40	205112	100 AMP/HOUR REPLACEMENT BATTERY (C/W PACKING FOR 230138 BATTERY)		6
41	907478	RED BATTERY TERMINAL COVER (Ø15.9)		6
42	907479	BLACK BATTERY TERMINAL COVER (Ø15.9)		6
43	907866	FUSE HOLDER LITTLE FUSE - MAHC0001ZXJ		3
44	908823	WATER PUMP PLATE (TRG) PP		1
45	909713	WATER PUMP ASSEMBLY		1
46	304521	FILTER PLATE ASSEMBLY		1
47	208888	EXTENDED STRAINER		1
47a	208890	EXTENDED STRAINER CLEAR BOWL	SPARE PART	1
47b	208830	STRAINER GASKET	SPARE PART	1
47c	208889	EXTENDED STRAINER 50 MESH SCREEN	SPARE PART	1
47d	208827	STRAINER BLACK TOP	SPARE PART	1
48	219573	SCREW INSULATOR		6
49	905558	M5 X 20MM LONG POZI PAN COUNTERSUNK SCREW ST/ST		6
50	219644	M5 FORM G STAINLESS STEEL WASHER		7
51	219633	M5 STAINLESS STEEL NYLON INSERT NUT		6
52	391494	SILICON TUBE 8MM I/D X 3.2MM WALL SECTION (CUT 370MM)		2
53	908857	SILICON TUBE 8MM I/D X 3.2MM WALL SECTION (CUT 850MM)		1
54	212267	12MM WIDE 6MM THICK INSEAL (80mm)		2
55	219568	NO8.3/4 INCH LG.POZI-PAN.SCREW.STAINLESS STEEL.PLASTITE		1
56	219389	3/8 BSPP MALE C/W UNDERCUT & O RING TO 10.5MM HOSETAIL		1
57	N/A	DUMP HOSE		1
58	902133	SPRING WIRE CLAMP (YDNAC-Y8010356)		1
59	904108	FLOAT STOP MOULDING		2
60	904109	FLOAT MOULDING		1
61	903341	32MM HOSE CAP RED (C/W 8MM HOLE)		1
62	904403	BARBED RIVET BLACK		2
63	908858	VAC MOTOR ASSEMBLY (TRG) 2 STAGE	DRW-28717	1
	908869	VAC MOTOR ASSEMBLY (TRG) 3 STAGE	DRW-28724	1
64	219647	M6 FORM G STAINLESS STEEL WASHER		7
65	237021	VARIO 3 STAGE BACK DOOR MOULDING		1
66	219643	M6 X 35MM LONG STAINLESS STEEL POZI PAN SCREW		2
67	219982	M6 X 40MM LONG POZI PAN STAINLESS STEEL SCREW		1
68	901916	28mm HOSE CLIP		1
69	237754	35-38MM HOSE CLIP		1
70	221047	40 AMP MAXI FUSE		3
71	908827	3-STAGE VAC MOTOR PLATE (TRG) PP	3-STAGE VAC MOTOR ONLY	1
72	908828	PLASTIC WASHER (64MM OD X 40MM ID X 1.5MM)	3-STAGE VAC MOTOR ONLY	1
73	237526	38MM RED DRAIN HOSE CONNECTOR	3-STAGE VAC MOTOR ONLY	1
74	219310	RUBBER WASHER	3-STAGE VAC MOTOR ONLY	3
75	206116	BLACK NUT	3-STAGE VAC MOTOR ONLY	1
76	304454	TTV678 POCKET PAINTED GREY - NUTSERTED	CHARGERLESS ONLY	1
77	212262	50mm LONG - 12MM X 4MM X 1500MM V6 OPEN CELL NATURAL SPONGE	CHARGERLESS ONLY	1
78	208598	TTV678 POCKET BUNGEE CORD	CHARGERLESS ONLY	1

# Numatic International Spare Parts

**Model No:** CHARGERLESS ENCLOSURE ASSEMBLY (TRG)  
EXPLODED DRAWING

Internal Code: 908968  
TBF DRAWING: DRW-28774 ISS:A01

NB: FOR WIRING SEE DRAWING: WD-0???



# Numatic International Spare Parts

**Model No:** CHARGERLESS ENCLOSURE ASSEMBLY (TRG)  
EXPLODED DRAWING

ITEM:	PART No:	Description	QTY.
1	904052	M3 X 25MM LONG POZI PAN SCREW STAINLESS STEEL	2
2	908964	LOOM ASSEMBLY.2CRT	1
3	905507	LOOM ASSEMBLY - 1 CIRCUIT	1
4	908967	SBS CONNECTOR SPACER PP	1
5	219631	19MM GROMMET	1
6	219740	M5 X 12MM LONG STAINLESS STEEL POZI PAN SCREW	1
7	219493	M6 NYLON WASHER	1
8	219568	NO8.3/4 INCH LG.POZI-PAN.SCREW.STAINLESS STEEL.PLASTITE	2
9	219644	M5 FORM G STAINLESS STEEL WASHER	2
10	208645	FOAM BATTERY SPACER	2
11	304497	NUTSERTED CHARGER SPACER BOX PAINTED SILVER GREY	1
12	291135	M5 X 10MM LONG STAINLESS STEEL POZI PAN SEMS SCREW	1
13	291035	M5 NYLON INSERT NUT (STAINLESS STEEL)	1
14	219070	M3 NYLON INSERT NUT	2

# Numatic International Spare Parts

**Model No:** TRG720 FRONT MOULDING ASSEMBLY (TRG) EXPLODED DRAWING

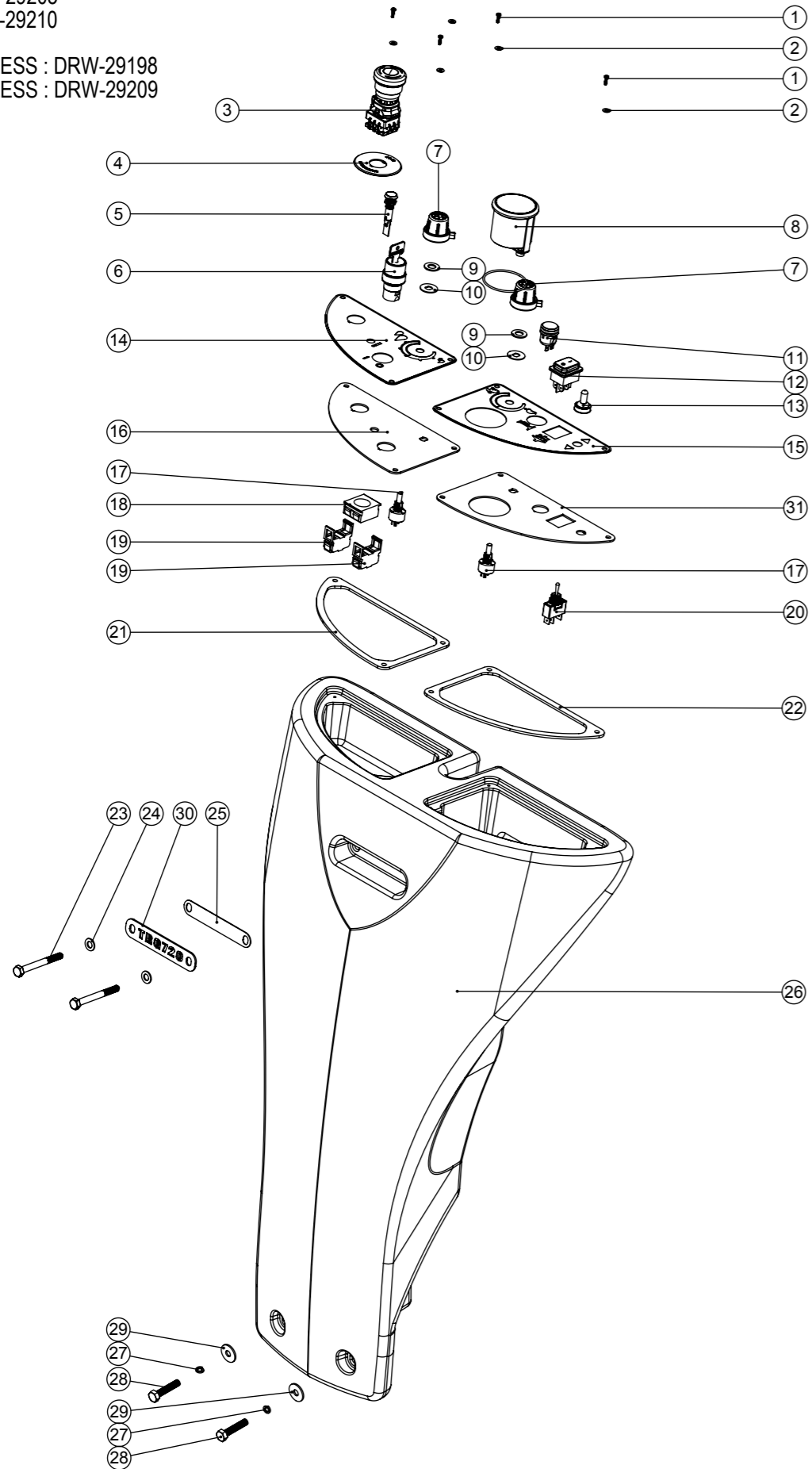
Internal Code: 908974,908975  
 MS5 DRAWING: DRW-28816 ISS:A05  
 27/03/2019

NB: FOR WIRING SEE DRAWING:

200T 230V : DRW-28869  
 300T 230V : DRW-29208

200T 120V : DRW-29205  
 300T 120V : DRW-29210

200T CHARGERLESS : DRW-29198  
 300T CHARGERLESS : DRW-29209



# Numatic International Spare Parts

**Model No:** TRG720 FRONT MOULDING ASSEMBLY (TRG) EXPLODED DRAWING

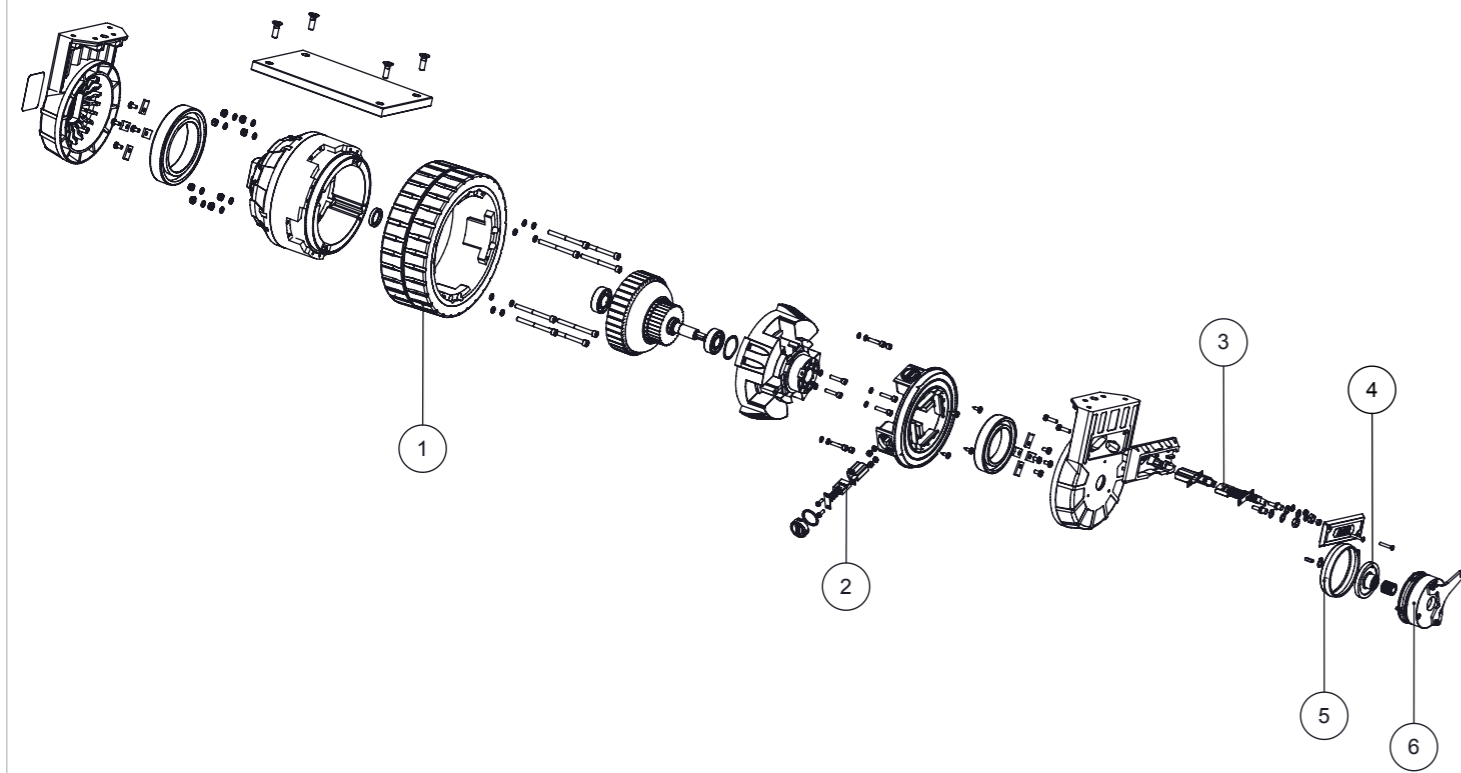
ITEM:	PART No:	DESCRIPTION	COMMENTS	QTY.
1	902534	M3 X 10MM LONG POZI PAN SCREW STAINLESS STEEL		6
2	219688	M4 FORM A STAINLESS STEEL WASHER		6
3	904087	EMERGENCY STOP (A02ES-H)		1
4	904086	EMERGENCY NAME PLATE (A02-U27Y)		1
5	907298	24V LED GREEN INDICATOR (H0275OSSG6)		1
6	907149	KEY SWITCH SELECTOR (020SCA1)	SPARE KEY : 907208	1
7	903485	SPEED ADJUSTMENT KNOB (RED)		2
8	902532	BATTERY DISCHARGE INDICATOR + HOUR METER 24V		1
9	219903	M10 FORM A STAINLESS STEEL WASHER		2
10	904094	SPEED CONTROL GASKET		2
11	906658	SEALED PUSHBUTTON SWITCH SINGLE POLE		1
12	902235	SWITCH DPST RED ILLUMINATED WITH MEMBRANE 24V		1
13	206785	SWITCH COVER C/W NUT		1
14	908132	TRG CONTROL PANEL OVERLAY (RIGHT)		1
15	908133	TRG CONTROL PANEL OVERLAY (LEFT)		1
16	908763	RIGHT CONTROL PANEL (TRG) M/S PAINTED SILVER		1
17	270316	POTENTIOMETER TYPE Pe30 22k OHMS 20% 3W (WITH PANEL SEAL) (ROUND SHAFT WITH FLAT / NO SLOT IN SHAFT END)		2
18	907150	FIXING ADAPTER (020G)		1
19	907151	TERMINAL BLOCK N.O. (020E10)		2
20	206786	SWITCH		1
21	208097	KEY PANEL GASKET		1
22	208096	PCB GASKET		1
23	291123	M8 X 75 LONG HEX HEAD BOLT STAINLESS STEEL		2
24	219578	M8 FORM A STAINLESS STEEL WASHER		2
25	908745	NAME PLATE SPACER RED P/P		1
26	908786	STEERING COLUMN MOULDING (TRG) PROCESSED		1
27	219898	M8 SINGLE COIL STAINLESS STEEL WASHER		2
28	291112	M8 X 40 LONG HEX BOLT STAINLESS STEEL		2
29	219716	M8 FORM G STAINLESS STEEL WASHER		2
30	908736	TRG720 NAME PLATE S/S		1
	908741	TGB3228 NAME PLATE S/S		1
31	908765	LEFT CONTROL PANEL (TRG) M/S PAINTED SILVER		1

# Numatic International Spare Parts

## Model No: TTV678 & TRO650 Motor Wheel & Brake Assembly

234604  
DRAWING: EXP-1032 ISS:A03  
28/03/2014

NB: FOR WIRING SEE DRAWING: WD-0359, DRW-15631, DRW-13416, DRW-14741



# Numatic International Spare Parts

## Model No: TTV678 & TRO650 Motor Wheel & Brake Assembly

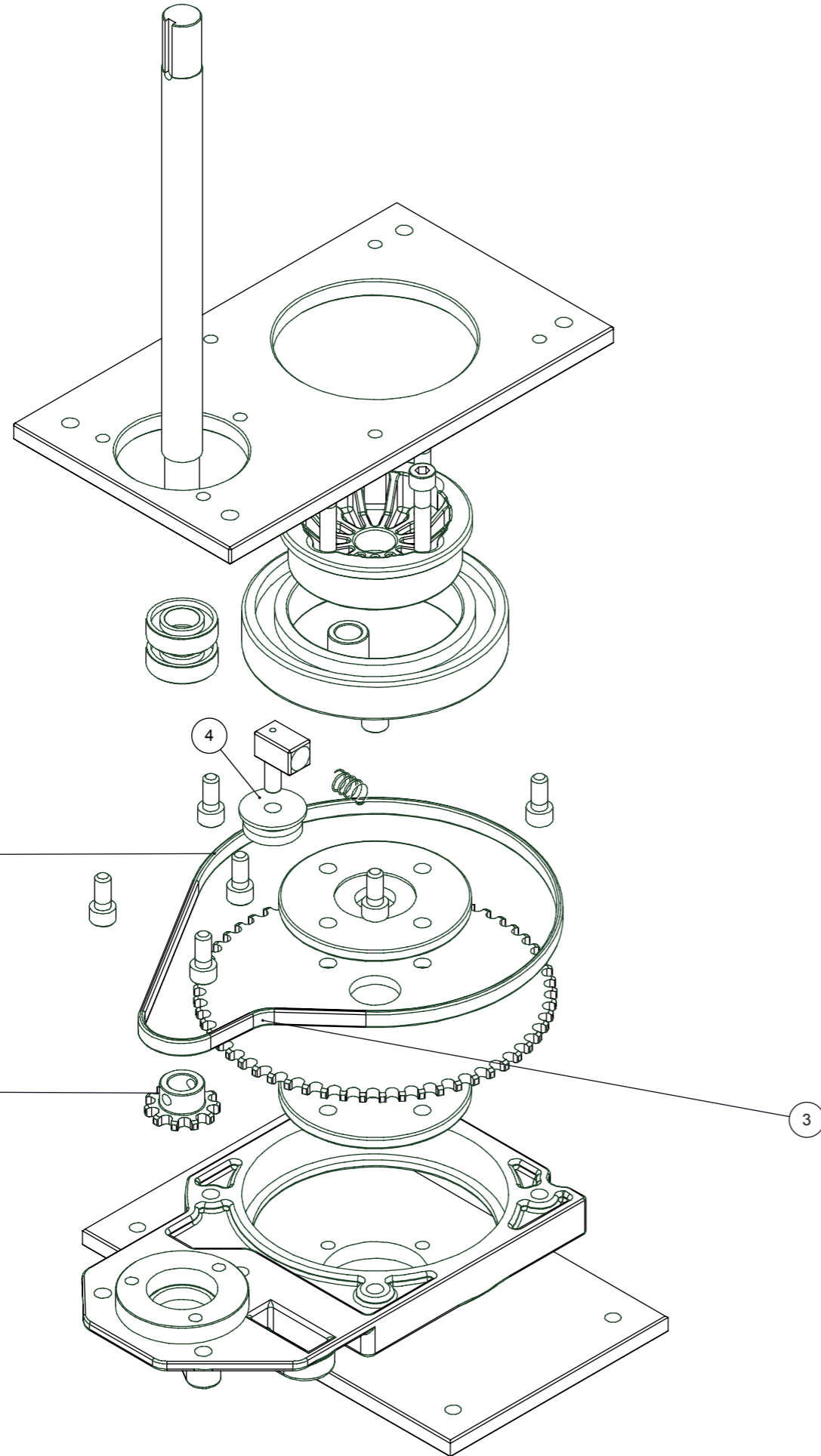
POS:	ITEM NO:	DESCRIPTION:	COMMENTS:
1	208145	WHEEL	
2	208146	ARMATURE BRUSH	
3	208147	MOTOR BRUSH	
4	208148	FRICTION DISC	
5	208149	RUBBER GASKET	
6	321506	MODIFIED ELECTRONICALLY RELEASED BRAKE C/W PINION & SCREWS	

# Numatic International Spare Parts

**Model No:** TTV678 & TRO650 MOTOR WHEEL GEARBOX ASSEMBLY

Internal Code: 234605  
PRO DRAWING: EXP-1033 ISS:A05

NB: FOR WIRING SEE DRAWING: WD-0359, DRW- 15631, DRW-13416, DRW-14741



# Numatic International Spare Parts

**Model No:** TTV678 & TRO650 MOTOR WHEEL GEARBOX ASSEMBLY EXPLODED DRAWING (EXP-1033)

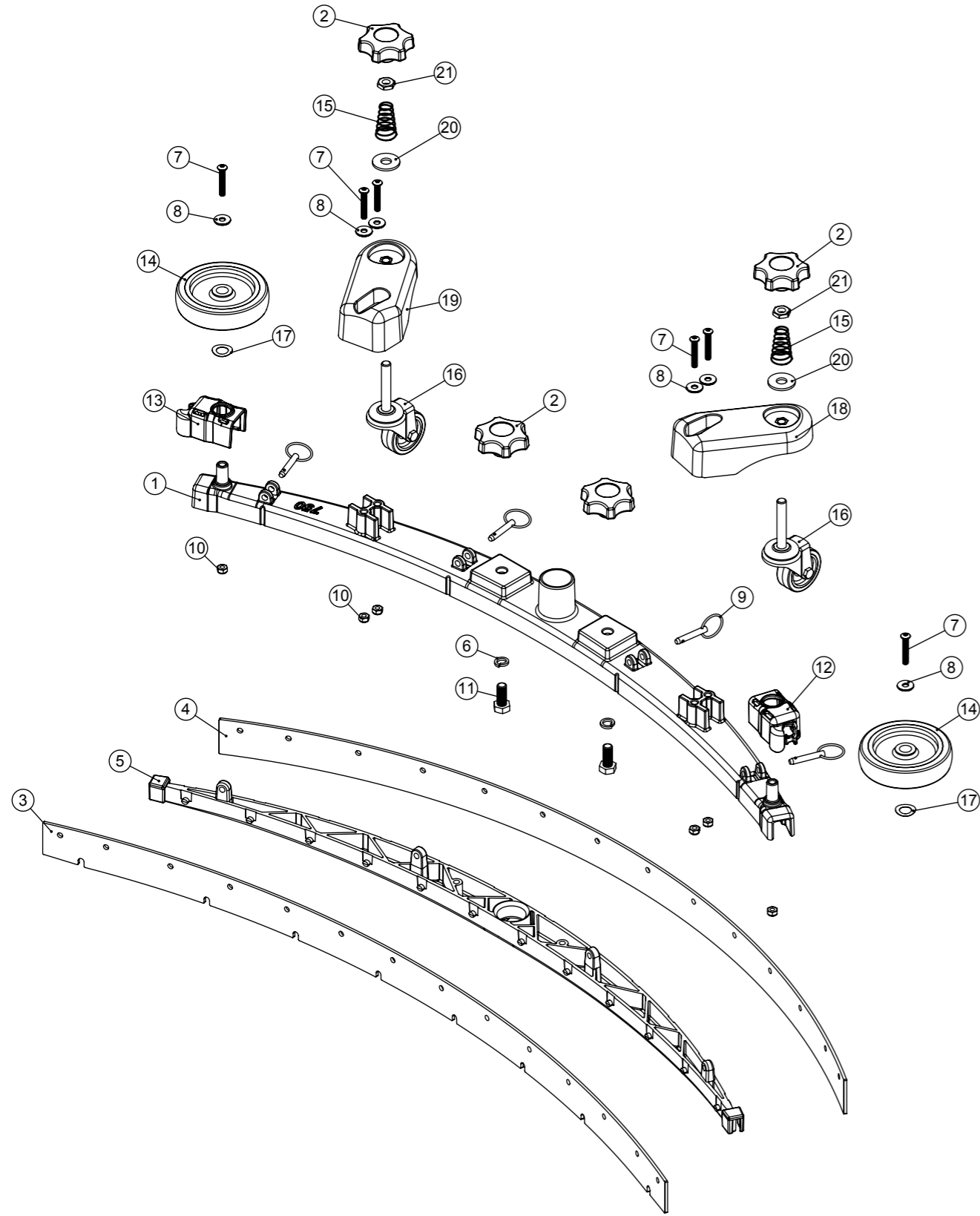
POS:	ITEM NO:	DESCRIPTION:	COMMENTS:
1	208151	PINION	
2	208152	STEERING CHAIN	
3	208153	STEERING CHAIN MASTER LINK	
4	901617	WHEEL TENSIONER	AVAILABLE SEPERATELY

# Numatic International Spare Parts

**Model No:** 750 TWINTEC ALUMINIUM FLOOR TOOL  
(38MM HOSE, RED TRIM, SERILOR BLADES)

Internal Code: 903853  
DRAWING: DRW-23157 ISS:A06  
PRO 27/03/2018

NB: FOR WIRING SEE DRAWING: WD-0???



# Numatic International Spare Parts

**Model No:** 750 TWINTEC ALUMINIUM FLOOR TOOL (38MM HOSE, RED TRIM, SERILOR BLADES)

ITEM:	PART No:	DESCRIPTION	QTY.
1	208637	(750MM SCRUB WIDTH) ALUMINIUM SQUEEGEE CASTING (38MM HOSE FITTING)	1
2	903281	M10 LOBE KNOB (RED)	4
3	208968	750MM SCRUB WIDTH REPLACEMENT FRONT BLADE (968MM LONG)	1
4	208971	750MM SCRUB WIDTH REPLACEMENT REAR BLADE (1000MM LONG)	1
5	903848	(750MM SCRUB WIDTH) RED BLADE HOLDER MOULDING (SLOPING PROFILE) (32MM & 38MM HOSE FITTING)	1
6	219899	M10 SINGLE COIL STAINLESS STEEL WASHER	2
7	219933	M6 X 35MM SOCKET BUTTON HEAD BOLT STAINLESS STEEL	6
8	219647	M6 FORM G STAINLESS STEEL WASHER	6
9	206953	DETENT PINS	4
10	219642	M6 STAINLESS STEEL NYLON INSERT NUT	6
11	219909	M10 X 25MM LONG HEXAGONAL STAINLESS STEEL SCREW	2
12	237322	RIGHT HAND FLOOR TOOL CLIP MOULDING	1
13	237323	LEFT HAND FLOOR TOOL CLIP MOULDING	1
14	208796	4 INCH WHEEL	2
15	229175	CONICAL SPRING	2
16	907759	50MM DIAMETER GREY TPR TYRED SWIVEL CASTOR C/W M10 X 60 SWAGED STEM.	2
17	219891	13MM WAVEY WASHER	2
18	906860	ADJUSTABLE FLOOR TOOL CASTOR PLASTIC PLATE LEFT	1
19	906859	ADJUSTABLE FLOOR TOOL CASTOR PLASTIC PLATE RIGHT	1
20	291124	M10 PENNY WASHER STAINLESS STEEL	2
21	219951	A4 (STAINLESS STEEL) M10 HEX LOCK NUT (HALF NUT)	2