

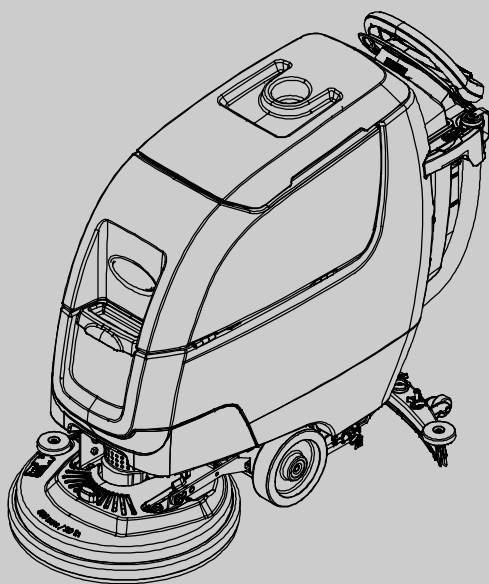
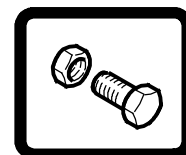


T300 T300e

AUTOMATIC FLOOR SCRUBBER

Machine Serial Number Range
(S/N 30000000- 40000000)

Parts Manual



Hygenic[®] Fully Cleanable Recovery Tank
TennantTrue[®] Parts
IRIS[®] a Tennant Technology



For the latest Parts manuals and other
language Operator manuals, visit:

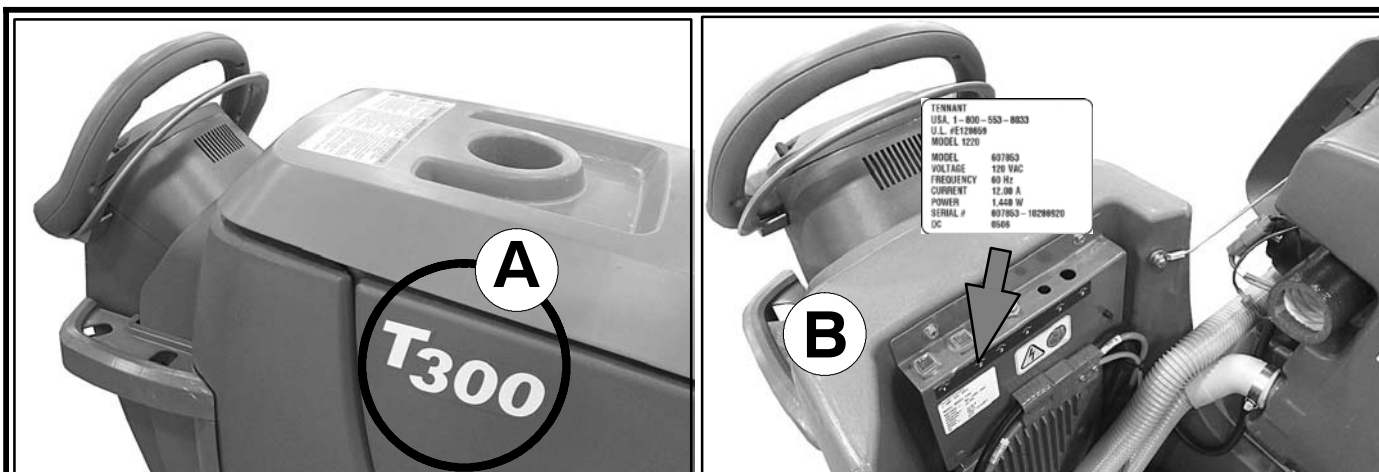
www.tennantco.com/manuals

China / International / Japan

www.tennantco.com

9014517
Rev. 00 (07-2015)





Ref	Part No.	Serial Number	Description	Qty.
1	82681	(000000-)	Bracket W/dt, Lpg Mount	1
∇ 2	63810	(000000-)	Latch Assy, Lpg Tank Mtg, W/Nut	4
▲ 3	51839	(000000-)	Nut Adjustable, Lpg Tank Mtg	2
4	49263	(000000-)	Tie, Cable	3
(D) 5	82556	(000000- 001039)	Bracket, Vaporizer	1
6	54930	(000000-)	Vaporizer, LPG	1

HOW TO ORDER PARTS - See diagram above

Only use TENNANT Company supplied or equivalent parts. Parts and supplies may be ordered online, by phone, by fax or by mail.

Follow the steps below to ensure prompt delivery.

1. (A) Identify the machine model.
2. (B) Identify the machine serial number from the data label.
3. (C) Ensure the proper serial number is used from the parts list.
4. Identify the part number and quantity.
Do not order by page or reference numbers.
5. Provide your name, company name, customer ID number, billing and shipping address, phone number and purchase order number.
6. Provide detail shipping instructions.

- (D) ∇ - identifies an assembly
▲ - identifies parts included in assembly

Please fill out at time of installation for future reference.

Model No. - _____
 Serial No. - _____
 Machine Options - _____
 Sales Rep. - _____
 Sales Rep. phone no. - _____
 Customer ID Number - _____
 Installation Date - _____

Tennant Company
 PO Box 1452
 Minneapolis, MN 55440 USA
 Phone: (800) 553- 8033 or
 (763) 513- 2850
 www.tennantco.com

TENNANT Cleaning Systems & Equipment Co., Ltd
 Building 1, No. 3777 Caoying Road
 Qingpu Shanghai, China 201712
 Phone: 86 21 6922 53333
 Fax: 86 21 69225151
 www.tennant.co.cn

TENNANT Company Japan
 9F Industry & Trade Center
 2 Yamashita- cho, Naka- ku
 Yokohama, Kanagawa 231- 0023
 Japan
 Phone: 81- 45- 640- 5630
 Fax: 81- 45- 640- 5604
 www.tennant.co.jp

Specifications and parts are subject to change without notice.

Copyright © 2015 TENNANT Company, Printed in China.

CN	<p>如何订购部件 - 参见下表</p> <p>仅使用 TENNANT 公司提供的或同等部件。部件和供应可以在线订购，通过电话、传真或邮件订购。请遵循下面的步骤确保及时交付。</p> <ol style="list-style-type: none"> 1. (A) 确定机器型号。 2. (B) 从数据标签确定机器序列号。 3. (C) 确保使用部件列表中的正确序列号。 4. 确定部件号和数量。 不要按页面或参考编号订购。 5. 提供您的姓名、公司名称、客户 ID 号、付帐和送货地址、电话号码和采购单编号。 6. 提供详细的送货说明。 <hr/> <p>(D) ▽ - 确定组件 ▲ - 确定组件中包含的组件</p>	<p>请在安装时填写供未来参考。</p> <p>型号 - _____</p> <p>序列号 - _____</p> <p>机器选项 - _____</p> <p>销售代表 - _____</p> <p>销售代表电话号码 - _____</p> <p>客户 ID 编号 - _____</p> <p>安装日期 - _____</p>
-----------	--	--

JP	<p>パーツの発注方法 ? 上記の図を参照してください</p> <p>TENNANT社製のパーツまたは同等品のみをお使いください。パーツやサプライ品のご注文は、オンライン、電話、FAX、または手紙でお願いいたします。確実にお届けできるように、以下の情報お知らせください。</p> <ol style="list-style-type: none"> 1. (A) 製品のモデル名をお知らせください。 2. (B) 製品のデータラベルに印刷されているシリアル番号をお知らせください。 3. (C) パーツリストを参照して、シリアル番号が正しいかご確認ください。 4. パーツ番号と数量をお知らせください。マニュアル/カタログのページ番号や参照番号でのご注文はご遠慮ください。 5. お客様のお名前、会社名、顧客ID番号、請求/発送先住所、電話番号、注文書番号をお知らせください。 6. 発送に関するご希望があれば、明記してください。 <hr/> <p>(D) ▽ - アセンブリを示します ▲ - アセンブリに含まれるパーツを示します</p>	<p>後日確認できるように、設置時に記入してください。</p> <p>モデルNo. - _____</p> <p>シリアルNo. - _____</p> <p>製品のオプション - _____</p> <p>販売代理店 - _____</p> <p>販売代理店の電話番号 - _____</p> <p>顧客ID番号 - _____</p> <p>設置日 - _____</p>
-----------	---	---

STANDARD PARTS

<p>GENERAL RECOMMENDED MAINTENANCE ITEMS 7</p> <p>BRUSHES AND PAD DRIVER GROUP, 43CM DISK 3- LUG HUB 10</p> <p>BRUSHES AND PAD DRIVER GROUP, 43CM DISK MAGNETIC HUB 12</p> <p>BRUSHES AND PAD DRIVER GROUP, 50CM DISK 3- LUG HUB 14</p> <p>BRUSHES AND PAD DRIVER GROUP, 50CM DISK MAGNETIC HUB 16</p> <p>BRUSHES AND PAD DRIVER GROUP, 60CM DUAL DISK 3- LUG HUB 18</p> <p>BRUSHES AND PAD DRIVER GROUP, 60CM DUAL DISK MAGNETIC HUB 20</p> <p>BRUSHES GROUP, 50CM CYLINDRICAL 22</p> <p>PAD GROUP, 50CM ORBITAL 23</p> <p>SCRUB HEAD GROUP, 43CM DISK, 3- LUG HUB 24</p> <p>SCRUB HEAD GROUP, 43CM DISK, MAGNETIC HUB 26</p> <p>SCRUB HEAD GROUP, 50CM DISK, 3- LUG HUB 28</p> <p>SCRUB HEAD GROUP, 50CM DISK, MAGNETIC HUB 30</p> <p>SCRUB HEAD GROUP, 60CM DUAL DISK, 3- LUG HUB 32</p> <p>SCRUB HEAD GROUP, 60CM DUAL DISK, MAGNETIC HUB 36</p> <p>SCRUB HEAD GROUP, 50CM CYLINDRICAL ... 40</p> <p>SCRUB HEAD GROUP, 50CM ORBITAL 44</p> <p>RECOVERY TANK GROUP, T300e MODEL 46</p> <p>RECOVERY TANK GROUP, T300 MODEL 48</p> <p>RECOVERY TANK FILTER AND HOSE GROUP, SCREW CAP 50</p> <p>RECOVERY TANK FILTER AND HOSE GROUP, CONTROL VALVE 52</p> <p>SOLUTION TANK GROUP 54</p> <p>FRAME GROUP, PROPEL MODEL 56</p> <p>FRAME GROUP, PUSH MODEL 58</p> <p>ACTUATED DOWN PRESSURE GROUP 60</p> <p>MANUAL DUAL DOWN PRESSURE GROUP ... 62</p> <p>SINGLE DOWN PRESSURE GROUP 64</p>	<p>SOLUTION GROUP, T300e MODEL 66</p> <p>SOLUTION GROUP, T300 MODEL 68</p> <p>SOLUTION GROUP, T300e MODEL ec- H2O ... 70</p> <p>SOLUTION GROUP, T300 MODEL ec- H2O 72</p> <p>SOLUTION GROUP, T300 MODEL ec- H2O & SEVERE ENVIRONMENT 74</p> <p>ELECTRICAL COMPONENTS GROUP, T300e MODEL 78</p> <p>ELECTRICAL COMPONENTS GROUP, T300 MODEL 80</p> <p>LOWER CONSOLE GROUP, ON- BOARD CHARGER 82</p> <p>LOWER CONSOLE GROUP, OFF- BOARD CHARGER 84</p> <p>HANDLE GROUP, T300e PROPEL MODEL 86</p> <p>HANDLE GROUP, T300e PUSH MODEL 88</p> <p>HANDLE GROUP, T300 MEMBRANE PROPEL MODEL 90</p> <p>HANDLE GROUP, T300 MEMBRANE PUSH MODEL 92</p> <p>HANDLE GROUP, T300 PRO- PANEL (LCD) PROPEL MODEL 94</p> <p>HANDLE GROUP, T300 PRO- PANEL (LCD) PUSH MODEL 96</p> <p>SHROUD GROUP, DISK AND ORBITAL HEAD . 98</p> <p>SHROUD GROUP, CYLINDRICAL HEAD 100</p> <p>SCRUB HEAD LIFT GROUP, 43CM DISK MODEL 102</p> <p>SCRUB HEAD LIFT GROUP, 50CM DISK MODEL 104</p> <p>SCRUB HEAD LIFT GROUP, 60CM DUAL DISK MODEL 106</p> <p>SCRUB HEAD LIFT GROUP, 50CM CYLINDRICAL MODEL 108</p> <p>SCRUB HEAD LIFT GROUP, 50CM ORBITAL MODEL 110</p> <p>SQUEEGEE GROUP 112</p> <p>BATTERY GROUP, 105AH C20 WET 114</p> <p>BATTERY GROUP, 130AH C20 WET 116</p> <p>BATTERY GROUP, 155AH C20 WET 118</p> <p>BATTERY GROUP, 140AH C20 AGM 120</p> <p>LABEL GROUP 122</p>
--	---

TABLE OF CONTENTS

STANDARD PARTS - Cont'd

ELECTRICAL DIAGRAM, PROPEL MEMBRANE T300 MODEL	126
ELECTRICAL DIAGRAM, PUSH MEMBRANE T300 MODEL	130
ELECTRICAL DIAGRAM, PROPEL PRO- PANEL (LCD) T300 MODEL	134
ELECTRICAL DIAGRAM, PUSH PRO- PANEL (LCD) T300 MODEL	138
ELECTRICAL DIAGRAM, PROPEL T300e MODEL	142
ELECTRICAL DIAGRAM, PUSH T300e MODEL	145
ELECTRICAL HARNESS, MAIN PROPEL T300 MODEL	148
ELECTRICAL HARNESS, MAIN PUSH T300 MODEL	152
ELECTRICAL HARNESS, MAIN PROPEL T300e MODEL	156
ELECTRICAL HARNESS, MAIN PUSH T300e MODEL	160
ELECTRICAL HARNESS, OPTIONS PROPEL ..	164
ELECTRICAL HARNESS, OPTIONS PUSH	165
ELECTRICAL HARNESS, BAIL SWITCH	166

OPTIONS

BATTERY LIFT OUT BOX KIT	168
HYDROLINK® BATTERY WATERING SYSTEM KIT	170

BREAKDOWNS

ec- H2O NANOCLEAN MODULE BREAKDOWN	172
ORBITAL HEAD ECCENTRIC DRIVE BREAKDOWN	174

RECOMMENDED MAINTENANCE ITEMS

GENERAL RECOMMENDED MAINTENANCE ITEMS

	Part No.	Serial Number	Description	Qty.
	1016763	(30000000- 40000000)	Brush Assy, Disk, Scb, 17.0d, Abr (3- Lug)	1
	1016764	(30000000- 40000000)	Brush Assy, Disk, Scb, 17.0d, Nyl (3- Lug)	1
	1016765	(30000000- 40000000)	Brush Assy, Disk, Scb, 17.0d, Pyp (3- Lug)	1
▽	1212965	(30000000- 40000000)	Driver Assy, Pad, 43cm, Brush, 3 Lug	1
▲	32506	(30000000- 40000000)	Device, Centering, Rh Pad Retainer	1
▲	32505	(30000000- 40000000)	Washer, Flat, 92b 156d 2.6l, Pad Driver	1
	1213034	(30000000- 40000000)	Brush Assy, Disk, Scb, 43cm, Mag, Nyl	1
	1213035	(30000000- 40000000)	Brush Assy, Disk, Scb, 43cm, Mag, Pyp	1
	1213037	(30000000- 40000000)	Brush Assy, Disk, Scb, 43cm, Mag, Ab	1
▽	1211869	(30000000- 40000000)	Driver Assy, Pad, 43cm, Brush, Magnetic	1
▲	32506	(30000000- 40000000)	Device, Centering, Rh Pad Retainer	1
▲	32505	(30000000- 40000000)	Washer, Flat, 92b 156d 2.6l, Pad Driver	1
	1050273	(30000000- 40000000)	Pad, Polish, 17.0d, White [1pick=1pad]	1
	1050271	(30000000- 40000000)	Pad, Buff, 17.0d, Red [1pick=1pad]	1
	1050270	(30000000- 40000000)	Pad, Scb, 17.0d, Blue [1pick=1pad]	1
	1050267	(30000000- 40000000)	Pad, Stripping, 17.0d, Brown[1pick=1pad]	1
	1050262	(30000000- 40000000)	Pad, Stripping, 17.0d[Hi Pro,1pick=1pad]	1
	1051028	(30000000- 40000000)	Pad, Surf Prep, 17.0d [Mar, 1pick=1pad]	1
	1016805	(30000000- 40000000)	Brush Assy, Disk, Scb, 20.0d, Abr (3- Lug)	1
	1016810	(30000000- 40000000)	Brush Assy, Disk, Scb, 20.0d, Nyl (3- Lug)	1
	1016811	(30000000- 40000000)	Brush Assy, Disk, Scb, 20.0d, Pyp (3- Lug)	1
▽	1212960	(30000000- 40000000)	Driver Assy, Pad, 50cm, Brush, 3 Lug	1
▲	32506	(30000000- 40000000)	Device, Centering, Rh Pad Retainer	1
▲	32505	(30000000- 40000000)	Washer, Flat, 92b 156d 2.6l, Pad Driver	1
	1210386	(30000000- 40000000)	Brush Assy, Disk, Scb, 50cm, Mag, Nyl	1
	1213032	(30000000- 40000000)	Brush Assy, Disk, Scb, 50cm, Mag, Pyp	1
	1213033	(30000000- 40000000)	Brush Assy, Disk, Scb, 50cm, Mag, Ab	1
▽	1209197	(30000000- 40000000)	Driver Assy, Pad, 50cm, Brush, Magnetic	1
▲	32506	(30000000- 40000000)	Device, Centering, Rh Pad Retainer	1
▲	32505	(30000000- 40000000)	Washer, Flat, 92b 156d 2.6l, Pad Driver	1
	17260	(30000000- 40000000)	Pad, Polish, 20.0d, White [1pick=1pad]	1
	17261	(30000000- 40000000)	Pad, Buff, 20.0d, Red [1pick=1pad]	1
	17262	(30000000- 40000000)	Pad, Scb, 20.0d, Blu [1pick=1pad]	1
	17263	(30000000- 40000000)	Pad, Stripping, 20.0d, Brown[1pick=1pad]	1
	370094	(30000000- 40000000)	Pad, Stripping, 20.0d[Hi Prod,1pick=1pad]	1
	1051030	(30000000- 40000000)	Pad, Surf Prep, 20.0d [Mar, 1pick=1pad]	1
	1056306	(30000000- 40000000)	Brush Assy, Disk, Scb, 12.0d, 3- Lug, Nyl	2
	1056313	(30000000- 40000000)	Brush Assy, Disk, Scb, 12.0d, 3- Lug, Pyp	2
	1063297	(30000000- 40000000)	Brush Assy, Disk, Scb, 12.0d, 3- Lug, Abr	2
▽	1213038	(30000000- 40000000)	Driver Assy, Pad, 30cm, Brush, 3 Lug	2
▲	370095	(30000000- 40000000)	Device, Centering, Clip On, TI [Gf Pp]	1
	1210136	(30000000- 40000000)	Brush Assy, Disk, Scb, 30cm, Mag, Nyl	2
	1213040	(30000000- 40000000)	Brush Assy, Disk, Scb, 30cm, Mag, Pyp	2
	1213041	(30000000- 40000000)	Brush Assy, Disk, Scb, 30cm, Mag, Ab	2
▽	1209160	(30000000- 40000000)	Driver Assy, Pad, 30cm, [Magnetic]	2
▲	370095	(30000000- 40000000)	Device, Centering, Clip On, TI [Gf Pp]	1
	385940	(30000000- 40000000)	Pad, Polish, 12.0d, White [1pick=1pad]	2
	385941	(30000000- 40000000)	Pad, Buff, 12.0d, Red [1pick=1pad]	2
	385942	(30000000- 40000000)	Pad, Scb, 12.0d, Blu [1pick=1pad]	2
	385943	(30000000- 40000000)	Pad, Stripping, 12.0d, Brown[1pick=1pad]	2
	1063334	(30000000- 40000000)	Pad, Stripping, 12.0d [Hi- Prod] Blk	2
	1051020	(30000000- 40000000)	Pad, Surf Prep, 12.0d [Mar, 1pick=1pad]	2

RECOMMENDED MAINTENANCE ITEMS

GENERAL RECOMMENDED MAINTENANCE ITEMS

Part No.	Serial Number	Description	Qty.
1209188	(30000000- 40000000)	Brush, Scb, 21l, 20sr, Nyl (Cylindrical Model)	2
1212762	(30000000- 40000000)	Brush, Scb, 21l, 20sr, Pyp (Cylindrical Model)	2
1205512	(30000000- 40000000)	Pad, Polish, 20 X 14, White [1pick=1pc] (Orbital Model)	1
1205513	(30000000- 40000000)	Pad, Buff, 20 X 14, Red [1pick=1pc] (Orbital Model)	1
1205514	(30000000- 40000000)	Pad, Scb, 20 X 14, Blu [1pick=1pc] (Orbital Model)	1
1205515	(30000000- 40000000)	Pad, Surf Prep, 20 X 14[Mar, 1pick=1pad] (Orbital Model)	1
1217830	(30000000- 40000000)	Pad, Backer, 20 X 14 (Orbital Model)	1
▽ 9014172	(30000000- 40000000)	Squeegee Kit, Linatex, Am [T300/E/Ss300]	1
▲ 1203954	(30000000- 40000000)	Blade, Sqge, Front, 788l, Linatex[500mm] (Standard)	1
1215611	(30000000- 40000000)	Blade, Sqge, Front, 788l, Urethane[500mm] (Option)	1
1215612	(30000000- 40000000)	Blade, Sqge, Front, 788l, Gum[500mm] (Option)	1
▲ 1203953	(30000000- 40000000)	Blade, Sqge, Rear, 836l, Linatex[500mm] (Standard)	1
1215609	(30000000- 40000000)	Blade, Sqge, Rear, 836l, Urethane[500mm] (Option)	1
1215610	(30000000- 40000000)	Blade, Sqge, Rear, 836l, Gum[500mm] (Option)	1
▲ 1010560	(30000000- 40000000)	Wheel, Bmpr, 80d X 25w, Non- Marking	2
▲ 630477	(30000000- 40000000)	Wheel, Pyu, 02.0d 0.38w, Gray	2
1055019	(30000000- 40000000)	Bumper, Head, 43cm, W/ Bristle Skirt, Im	1
1055025	(30000000- 40000000)	Bumper, Head, 50cm, W/ Bristle Skirt, Im	1
1072656	(30000000- 40000000)	Bumper, Head, 60cm, Bristle Skirt	1
1010560	(30000000- 40000000)	Wheel, Bmpr, 80d X 25w, Non- Marking (Disk Heads)	1
9011810	(30000000- 40000000)	Module Kit, Replmt [Ec- H2o, B 02] (See Breakdowns)	1
9013646	(30000000- 40000000)	Cartridge, Ec- H2o Nanoclean Wcm, 270ml	1
▽ 1210703	(30000000- 40000000)	Motor, Ele, 24vdc 0200rpm 1.00hp, 17mm (43CM & 50CM Disk Head)	1
▲ 1014328	(30000000- 40000000)	Key, Sq, 05mm X 05mm, 25mml (43CM & 50CM Disk Head)	1
▲ 222606	(30000000- 40000000)	Vr, Brush Kit, Motor, Ele [lp] (4Pc) (43CM & 50CM Disk Head)	1
▽ 1210212	(30000000- 40000000)	Motor, 24vdc, 2000rpm, 7/8hp, Us (60CM Disk Head)	1
▲ 1217769	(30000000- 40000000)	Key, Sq, 04mm X 04mm, 15mml (60CM Disk Head)	1
▲ 1059370	(30000000- 40000000)	Brush, Motor, Replmt [Bag Of 4] (60CM Disk Head)	2
▽ 1210202	(30000000- 40000000)	Motor, Ele, 24vdc [Vw Cyl] (Cylindrical Head)	1
▲ 1217769	(30000000- 40000000)	Key, Sq, 04mm X 04mm, 15mml (Cylindrical Head)	1
▲ 1039817	(30000000- 40000000)	Vr, Brush Kit, Motor, Ele (1 Pkg = 4 Pcs) (Cylindrical Head)	1
▽ 1212669	(30000000- 40000000)	Motor, Ele, 24vdc, 2200rpm, .6hp, 22mm (Orbital Head)	1
▲ 1059370	(30000000- 40000000)	Brush, Motor, Replmt [Bag Of 4] (Orbital Head)	1
▲ 1014328	(30000000- 40000000)	Key, Sq, 05mm X 05mm, 25mml (Orbital Head)	1
9014166	(30000000- 40000000)	Kit, Belt, Motor (Includes Installation Tool - Not Shown) (Cylindrical Head)	1
1209594	(30000000- 40000000)	Cover, Belt (Cylindrical Head)	1
1215666	(30000000- 40000000)	Skirt, Side, Cyl, Floating (Cylindrical Head)	2
1216689	(30000000- 40000000)	Cover, Skirt, Cyl Door (Cylindrical Head)	1
1216728	(30000000- 40000000)	Cover, Skirt, Cyl Head (Cylindrical Head)	1
630477	(30000000- 40000000)	Wheel, Pyu, 02.0d 0.38w, Gray (Cylindrical Head)	4
▽ 1210304	(30000000- 40000000)	Fan, Vacuum, 5.7d, 024vdc, 2 Stage (T300e Model)	1
▲ 372883	(30000000- 40000000)	Vr, Brush Kit, Motor, Ele (1 Pkg = 2 Pcs)	1
▽ 1202880	(30000000- 40000000)	Fan, Vacuum, 6.6d, 024vdc, 2 Stage (T300 Model)	1
▲ 1206774	(30000000- 40000000)	Vr, Brush Kit, Motor, Fan (1 Pkg = 2 Pcs)	1
1207357	(30000000- 40000000)	Tray, Debris, Tank, Recvy [T300]	1
630052	(30000000- 40000000)	Float, Shut- Off, (2)Ball, 1.75d	1

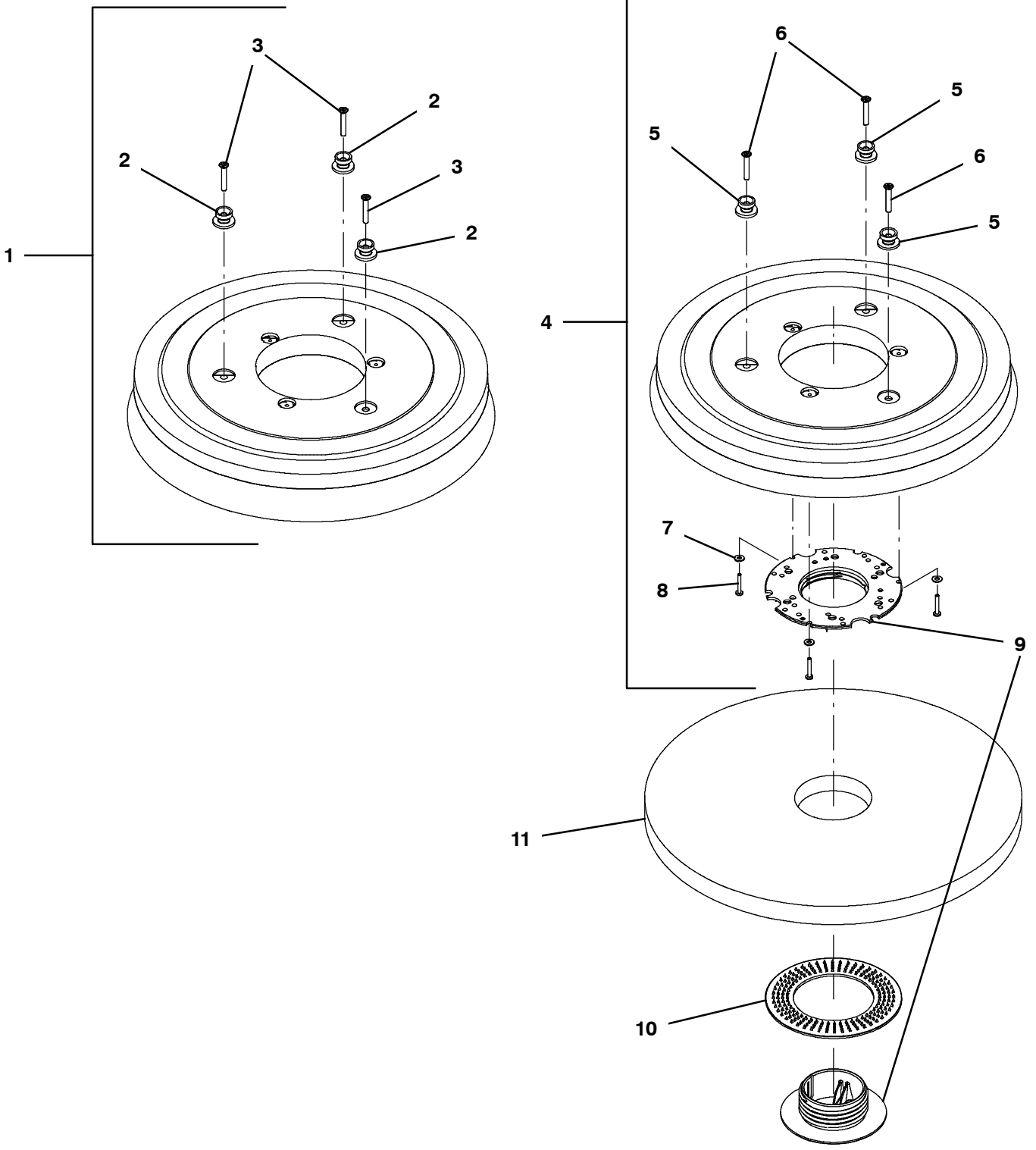
RECOMMENDED MAINTENANCE ITEMS

GENERAL RECOMMENDED MAINTENANCE ITEMS

Ref.	Part No.	Serial Number	Description	Qty.
▽	1213008	(30000000- 40000000)	Hose Assy, Drain, 1.5d 025l 1.5/Cap [Pu]	1
▲	1219134	(30000000- 40000000)	Cap, Drain Assy [Gray]	1
▽	1213010	(30000000- 40000000)	Hose Assy, Drain, 1.5d 017l 1.5/Cap[Pvc]	1
▲	1218955	(30000000- 40000000)	Cap, Drain Assy [Black]	1
	1204663	(30000000- 40000000)	Hose Assy, W/2cuff,1.5d 026l 1.5/1.5[Pu]	1
	1211220	(30000000- 40000000)	Hose Assy,W/2cuff,1.5d 022l 1.5/1.5[Pvc]	1
▽	9014171	(30000000- 40000000)	Hose Assy, With Valve	1
▲	1051986	(30000000- 40000000)	Valve, Ball, 2way, 1.0id Pvc, W/Handle	1
▲	1204663	(30000000- 40000000)	Hose Assy, W/2cuff,1.5d 026l 1.5/1.5[Pu]	1
	1210472	(30000000- 40000000)	Seal, Afmkt, Bulb, 0.50d .13grip, 05ft (Rec Tank Lid)	1
	9014158	(30000000- 40000000)	Kit, Cover, Fill, Front, W/ Ech20 [Na/Ce	1
	1046428	(30000000- 40000000)	Seal, Afmkt, Rbr, Clsd, Adh, 02ft (Front Fill Cover)	1
▽	1209779	(30000000- 40000000)	Transaxle, Ele, 24vdc, 112rpm [Asi]	1
▲▽	1216386	(30000000- 40000000)	Motor, Transaxle, 24vdc, Replmt [Ul, Ce]	1
▲▲	1212351	(30000000- 40000000)	Brush Kit, Carbon, Transaxle, Ul (1 Kit = 4 Pcs)	1
▲	1021167	(30000000- 40000000)	Key, Woodruff, 5mm	2
	1214595	(30000000- 40000000)	Wheel, Scrbr, 8.00d, W/ Taper [Hi Trac] (Propel Model)	2
	1214586	(30000000- 40000000)	Wheel, Scrbr, 8.00d, W/ Brg [Hi Trac] (Push Model)	2
	1212422	(30000000- 40000000)	Caster, Swivel [Wicke 224051]	1
▽	1211537	(30000000- 40000000)	Filter, In- Line, Pf06/Pf06 080m 2.6l Epd	1
▲	1218885	(30000000- 40000000)	Gasket [Epdm, F/1211537]	1
▲	1218883	(30000000- 40000000)	Screen, Fltr, 80 Mesh, Ss [W/ Cage]	1
▲	1211537	(30000000- 40000000)	Filter, In- Line, Pf06/Pf06 080m 2.6l Epd	1
	1214249	(30000000- 40000000)	Tray, Accssry, Rh, 16mm Screw	1
▽	9014251	(30000000- 40000000)	Clip Kit, Rail, Di [T300/T300e/Ss300]	1
▲	1214292	(30000000- 40000000)	Bracket, Hanger, Rail, Lrg	1
▲	1214291	(30000000- 40000000)	Bracket, Hanger, Rail, Small	2

BRUSHES AND PAD DRIVER GROUP, 43CM DISK 3-LUG HUB

355330



BRUSHES AND PAD DRIVER GROUP, 43CM DISK 3- LUG HUB

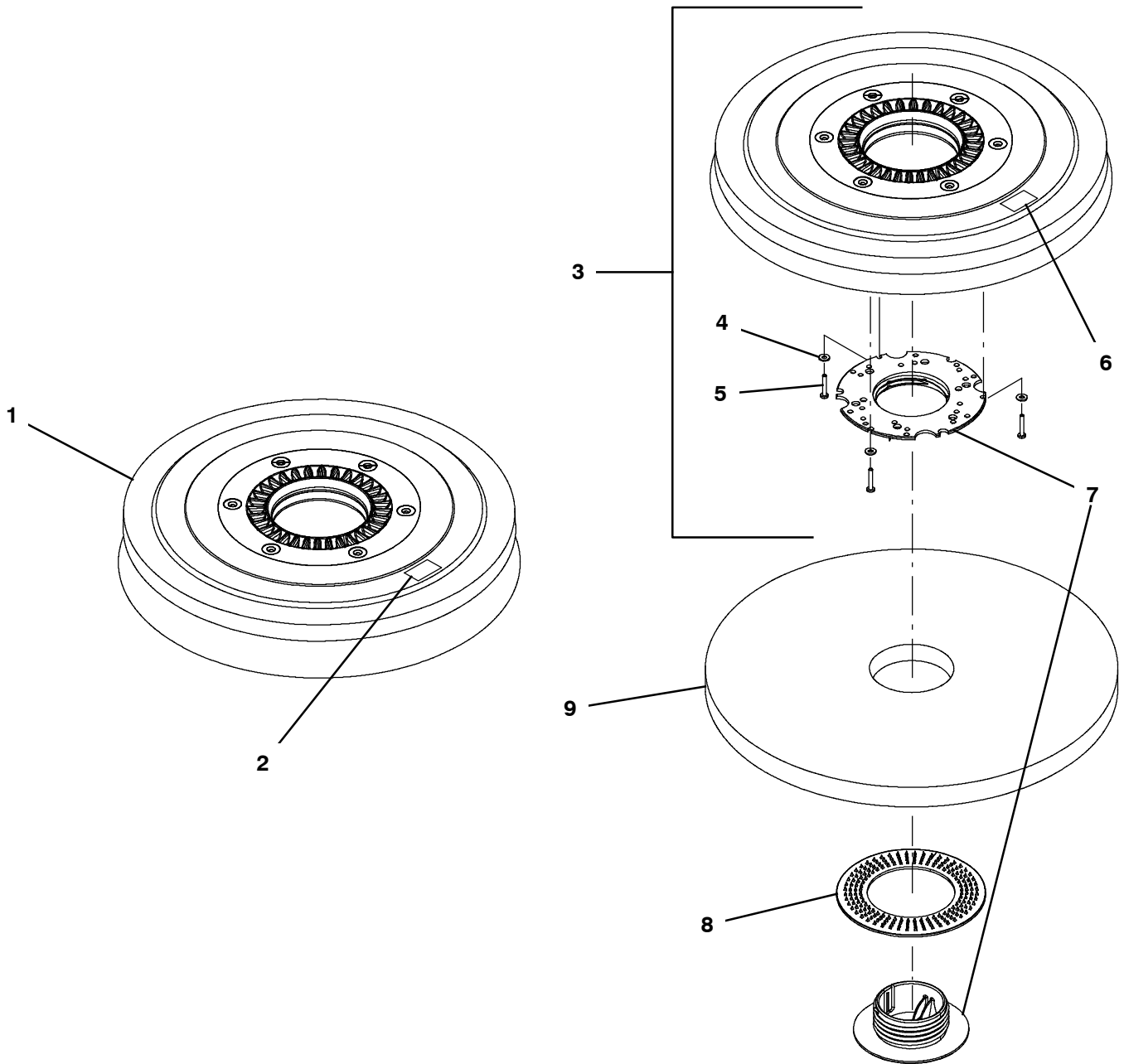
Ref.	Part No.	Serial Number	Description	Qty.
▽	1	1016763	(30000000- 40000000) Brush Assy, Disk, Scb, 17.0d, Abr	1
▽	1	1016764	(30000000- 40000000) Brush Assy, Disk, Scb, 17.0d, Nyl	1
▽	1	1016765	(30000000- 40000000) Brush Assy, Disk, Scb, 17.0d, Pyp	1
▲	2	1013018	(30000000- 40000000) Stud, Drive, Brush Pad	3
▲	3	1021316	(30000000- 40000000) Screw, Flt, Phl, M6 X 1.00 X 35, Ss	3
▽	4	1212965	(30000000- 40000000) Driver Assy, Pad, 43cm, Brush, 3 Lug	1
▲	5	1013018	(30000000- 40000000) Stud, Drive, Brush Pad	3
▲	6	1021316	(30000000- 40000000) Screw, Flt, Phl, M6 X 1.00 X 35, Ss	3
▲	7	41579	(30000000- 40000000) Washer, Flat, 08, Ss	3
▲	8	04403	(30000000- 40000000) Screw, Pan, Phl, M4 X 0.70 X 25, NI, Ss	3
▲	9	32506	(30000000- 40000000) Device, Centering, Rh Pad Retainer	1
▲	10	32505	(30000000- 40000000) Washer, Flat, 92b 156d 2.6l, Pad Driver	1
	11	1050273	(30000000- 40000000) Pad, Polish, 17.0d, White [1pick=1pad]	1
	11	1050271	(30000000- 40000000) Pad, Buff, 17.0d, Red [1pick=1pad]	1
	11	1050270	(30000000- 40000000) Pad, Scb, 17.0d, Blue [1pick=1pad]	1
	11	1050267	(30000000- 40000000) Pad, Stripping, 17.0d, Brown[1pick=1pad]	1
	11	1050262	(30000000- 40000000) Pad, Stripping, 17.0d[Hi Pro,1pick=1pad]	1
	11	1051028	(30000000- 40000000) Pad, Surf Prep, 17.0d [Mar, 1pick=1pad]	1

▽ ASSEMBLY

▲ INCLUDED IN ASSEMBLY

BRUSHES AND PAD DRIVER GROUP, 43CM DISK MAGNETIC HUB

355338



BRUSHES AND PAD DRIVER GROUP, 43CM DISK MAGNETIC HUB

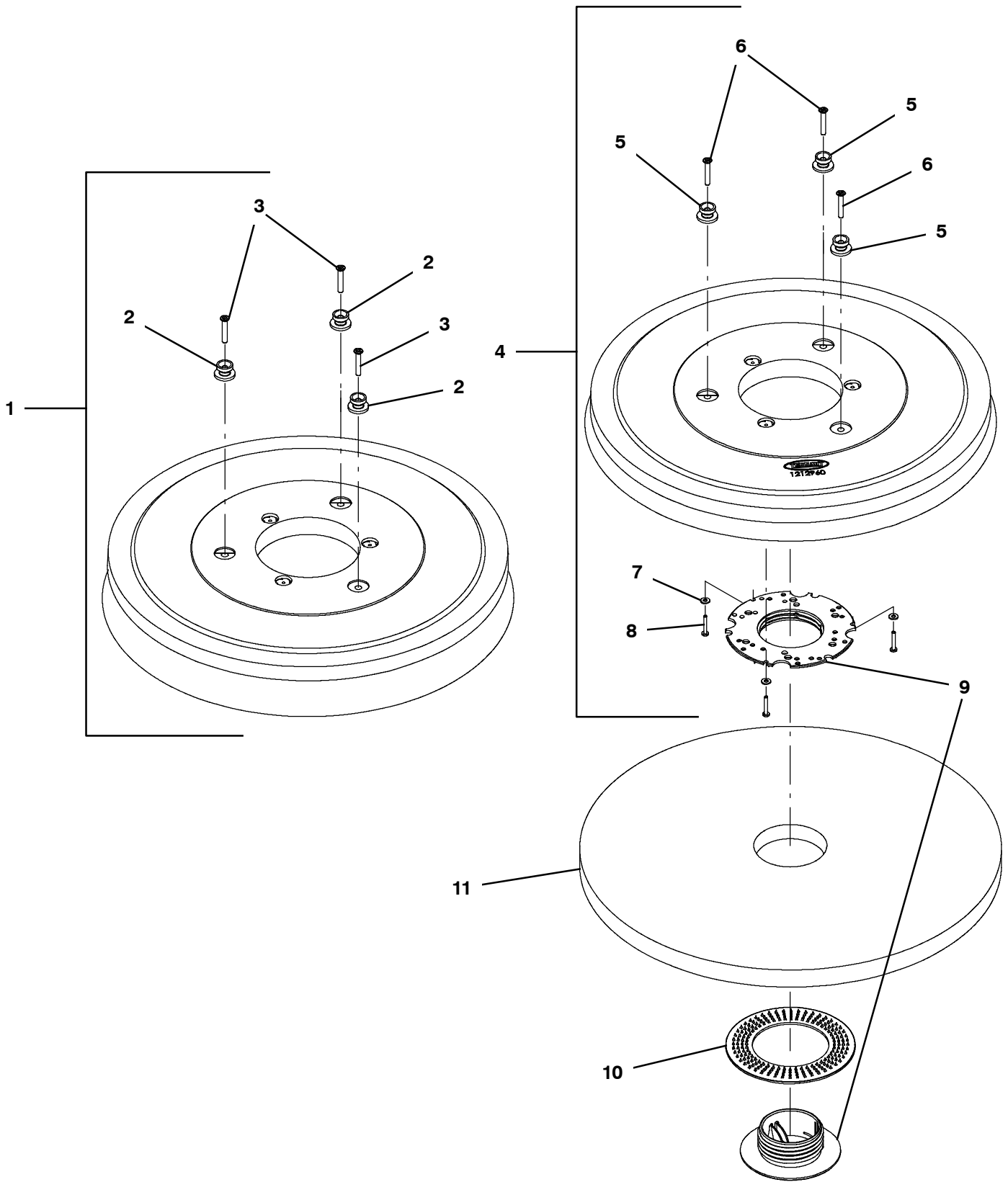
Ref.	Part No.	Serial Number	Description	Qty.
▽	1	1213034	(30000000- 40000000) Brush Assy, Disk, Scb, 43cm, Mag, Nyl	1
▽	1	1213035	(30000000- 40000000) Brush Assy, Disk, Scb, 43cm, Mag, Pyp	1
▽	1	1213037	(30000000- 40000000) Brush Assy, Disk, Scb, 43cm, Mag, Ab	1
▲	2	1218392	(30000000- 40000000) Label, Safety, Magnet, Med	1
▽	3	1211869	(30000000- 40000000) Driver Assy, Pad, 43cm, Brush, Magnetic	1
▲	4	41579	(30000000- 40000000) Washer, Flat, 08, Ss	3
▲	5	1212542	(30000000- 40000000) Screw, Pan, Phl, M4 X 0.70 X 12, Nl, Ss	3
▲	6	1218392	(30000000- 40000000) Label, Safety, Magnet, Med	1
▲	7	32506	(30000000- 40000000) Device, Centering, Rh Pad Retainer	1
▲	8	32505	(30000000- 40000000) Washer, Flat, 92b 156d 2.6l, Pad Driver	1
	9	1050273	(30000000- 40000000) Pad, Polish, 17.0d, White [1pick=1pad]	1
	9	1050271	(30000000- 40000000) Pad, Buff, 17.0d, Red [1pick=1pad]	1
	9	1050270	(30000000- 40000000) Pad, Scb, 17.0d, Blue [1pick=1pad]	1
	9	1050267	(30000000- 40000000) Pad, Stripping, 17.0d, Brown[1pick=1pad]	1
	9	1050262	(30000000- 40000000) Pad, Stripping, 17.0d[Hi Pro,1pick=1pad]	1
	9	1051028	(30000000- 40000000) Pad, Surf Prep, 17.0d [Mar, 1pick=1pad]	1

▽ ASSEMBLY

▲ INCLUDED IN ASSEMBLY

BRUSHES AND PAD DRIVER GROUP, 50CM DISK 3-LUG HUB

355331



BRUSHES AND PAD DRIVER GROUP, 50CM DISK 3- LUG HUB

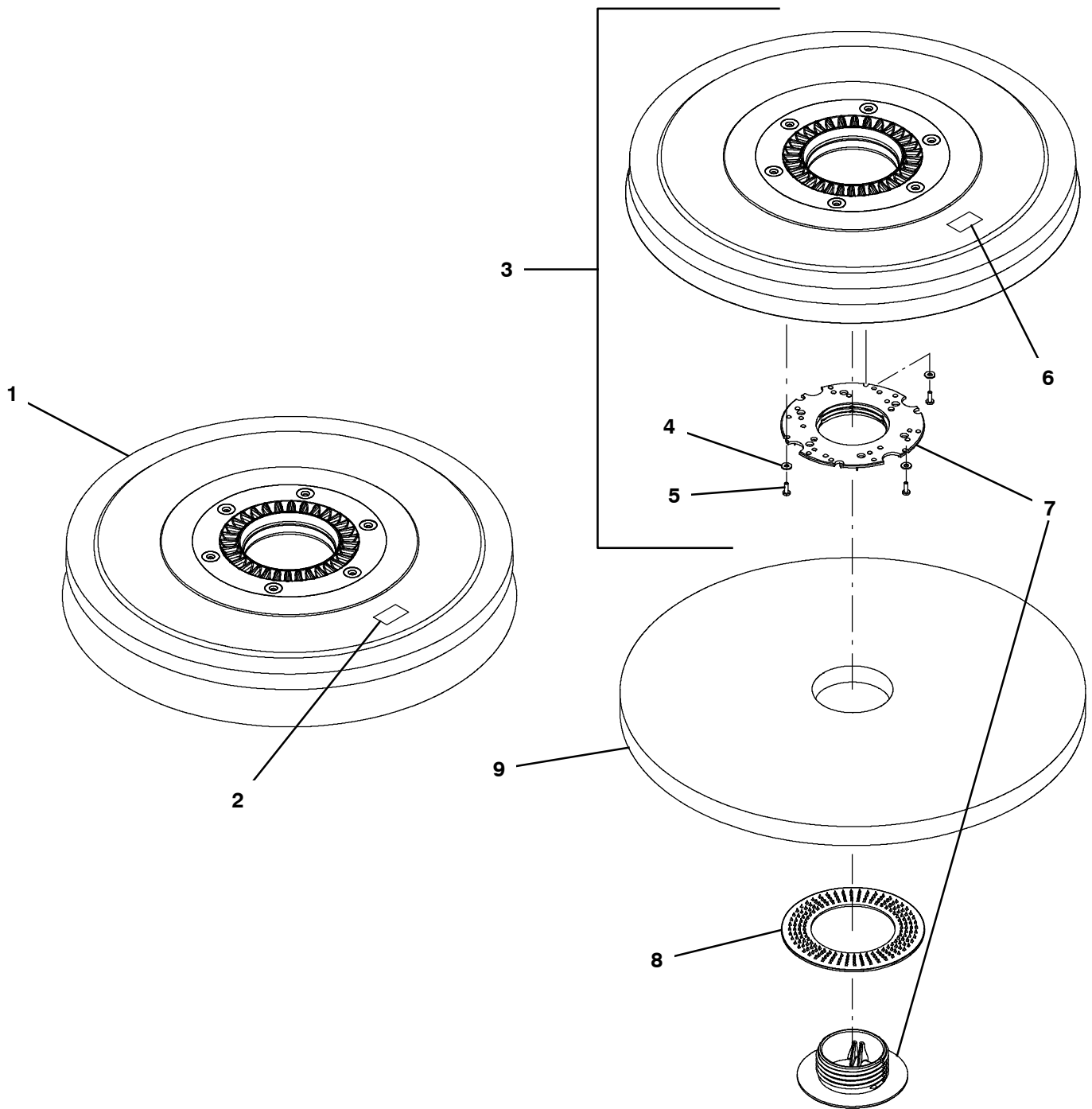
Ref.	Part No.	Serial Number	Description	Qty.
▽	1	1016805	(30000000- 40000000) Brush Assy, Disk, Scb, 20.0d, Abr	1
▽	1	1016810	(30000000- 40000000) Brush Assy, Disk, Scb, 20.0d, Nyl	1
▽	1	1016811	(30000000- 40000000) Brush Assy, Disk, Scb, 20.0d, Pyp	1
▲	2	1013018	(30000000- 40000000) Stud, Drive, Brush Pad	3
▲	3	1021316	(30000000- 40000000) Screw, Flt, Phl, M6 X 1.00 X 35, Ss	3
▽	4	1212960	(30000000- 40000000) Driver Assy, Pad, 50cm, Brush, 3 Lug	1
▲	5	1013018	(30000000- 40000000) Stud, Drive, Brush Pad	3
▲	6	1021316	(30000000- 40000000) Screw, Flt, Phl, M6 X 1.00 X 35, Ss	3
▲	7	41579	(30000000- 40000000) Washer, Flat, 08, Ss	3
▲	8	04403	(30000000- 40000000) Screw, Pan, Phl, M4 X 0.70 X 25, NI, Ss	3
▲	9	32506	(30000000- 40000000) Device, Centering, Rh Pad Retainer	1
▲	10	32505	(30000000- 40000000) Washer, Flat, 92b 156d 2.6l, Pad Driver	1
	11	17260	(30000000- 40000000) Pad, Polish, 20.0d, White [1pick=1pad]	1
	11	17261	(30000000- 40000000) Pad, Buff, 20.0d, Red [1pick=1pad]	1
	11	17262	(30000000- 40000000) Pad, Scb, 20.0d, Blu [1pick=1pad]	1
	11	17263	(30000000- 40000000) Pad, Stripping, 20.0d, Brown[1pick=1pad]	1
	11	370094	(30000000- 40000000) Pad, Stripping, 20.0d[Hi Prod,1pick=1pad]	1
	11	1051030	(30000000- 40000000) Pad, Surf Prep, 20.0d [Mar, 1pick=1pad]	1

▽ ASSEMBLY

▲ INCLUDED IN ASSEMBLY

BRUSHES AND PAD DRIVER GROUP, 50CM DISK MAGNETIC HUB

355339



BRUSHES AND PAD DRIVER GROUP, 50CM DISK MAGNETIC HUB

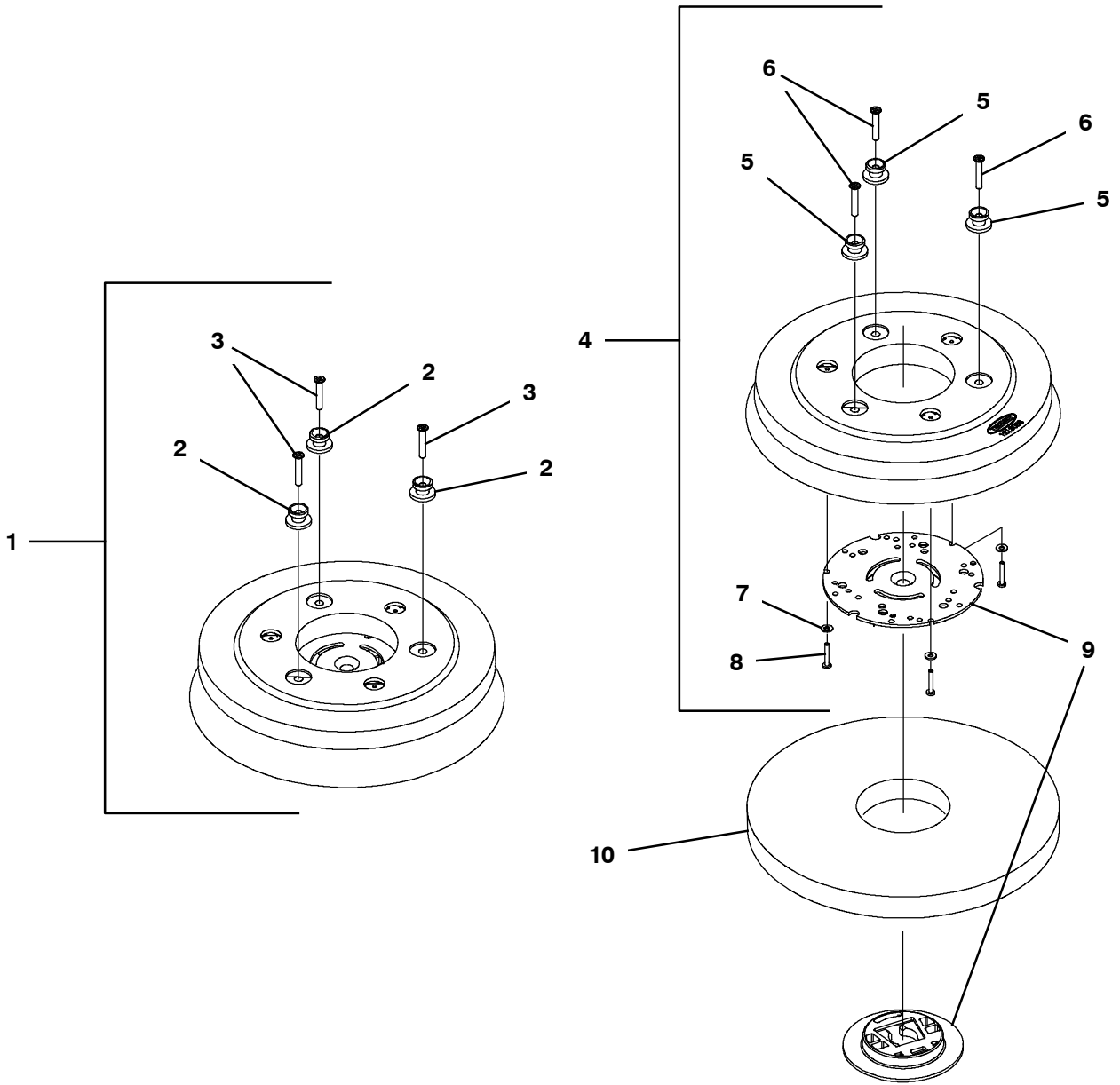
Ref.	Part No.	Serial Number	Description	Qty.
▽	1	1210386	(30000000- 40000000) Brush Assy, Disk, Scb, 50cm, Mag, Nyl	1
▽	1	1213032	(30000000- 40000000) Brush Assy, Disk, Scb, 50cm, Mag, Pyp	1
▽	1	1213033	(30000000- 40000000) Brush Assy, Disk, Scb, 50cm, Mag, Ab	1
▲	2	1218392	(30000000- 40000000) Label, Safety, Magnet, Med	1
▽	3	1209197	(30000000- 40000000) Driver Assy, Pad, 50cm, Brush, Magnetic	1
▲	4	41579	(30000000- 40000000) Washer, Flat, 08, Ss	3
▲	5	1212542	(30000000- 40000000) Screw, Pan, Phl, M4 X 0.70 X 12, Nl, Ss	3
▲	6	1218392	(30000000- 40000000) Label, Safety, Magnet, Med	1
▲	7	32506	(30000000- 40000000) Device, Centering, Rh Pad Retainer	1
▲	8	32505	(30000000- 40000000) Washer, Flat, 92b 156d 2.6l, Pad Driver	1
	9	17260	(30000000- 40000000) Pad, Polish, 20.0d, White [1pick=1pad]	1
	9	17261	(30000000- 40000000) Pad, Buff, 20.0d, Red [1pick=1pad]	1
	9	17262	(30000000- 40000000) Pad, Scb, 20.0d, Blu [1pick=1pad]	1
	9	17263	(30000000- 40000000) Pad, Stripping, 20.0d, Brown[1pick=1pad]	1
	9	370094	(30000000- 40000000) Pad, Stripping, 20.0d[Hi Prod,1pick=1pad]	1
	9	1051030	(30000000- 40000000) Pad, Surf Prep, 20.0d [Mar, 1pick=1pad]	1

▽ ASSEMBLY

▲ INCLUDED IN ASSEMBLY

BRUSHES AND PAD DRIVER GROUP, 60CM DUAL DISK 3-LUG HUB

355332



BRUSHES AND PAD DRIVER GROUP, 60CM DUAL DISK 3-LUG HUB

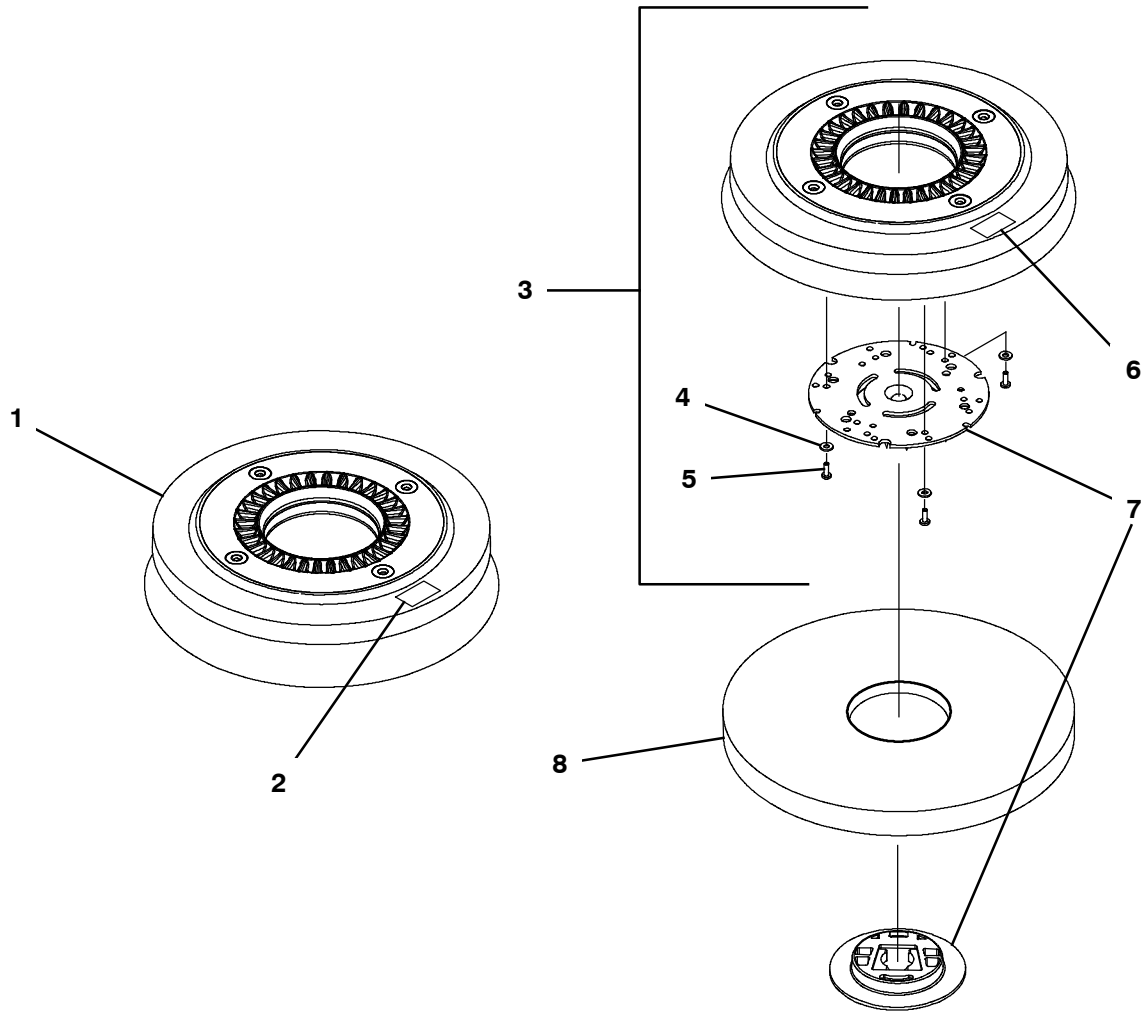
Ref.	Part No.	Serial Number	Description	Qty.
▽	1	1056306	(30000000- 40000000) Brush Assy, Disk, Scb, 12.0d, 3- Lug, Nyl	2
▽	1	1056313	(30000000- 40000000) Brush Assy, Disk, Scb, 12.0d, 3- Lug, Pyp	2
▽	1	1063297	(30000000- 40000000) Brush Assy, Disk, Scb, 12.0d, 3- Lug, Abr	2
▲	2	1055558	(30000000- 40000000) Mount, Lug, Pad- Driver [T3]	3
▲	3	1021316	(30000000- 40000000) Screw, Flt, Phl, M6 X 1.00 X 35, Ss	3
▽	4	1213038	(30000000- 40000000) Driver Assy, Pad, 30cm, Brush, 3 Lug	2
▲	5	1055558	(30000000- 40000000) Mount, Lug, Pad- Driver [T3]	3
▲	6	1021316	(30000000- 40000000) Screw, Flt, Phl, M6 X 1.00 X 35, Ss	3
▲	7	41579	(30000000- 40000000) Washer, Flat, 08, Ss	3
▲	8	04403	(30000000- 40000000) Screw, Pan, Phl, M4 X 0.70 X 25, NI, Ss	3
▲	9	370095	(30000000- 40000000) Device, Centering, Clip On, TI [Gf Pp]	1
	10	385940	(30000000- 40000000) Pad, Polish, 12.0d, White [1pick=1pad]	2
	10	385941	(30000000- 40000000) Pad, Buff, 12.0d, Red [1pick=1pad]	2
	10	385942	(30000000- 40000000) Pad, Scb, 12.0d, Blu [1pick=1pad]	2
	10	385943	(30000000- 40000000) Pad, Stripping, 12.0d, Brown[1pick=1pad]	2
	10	1063334	(30000000- 40000000) Pad, Stripping, 12.0d [Hi- Prod] Blk	2
	10	1051020	(30000000- 40000000) Pad, Surf Prep, 12.0d [Mar, 1pick=1pad]	2

▽ ASSEMBLY

▲ INCLUDED IN ASSEMBLY

BRUSHES AND PAD DRIVER GROUP, 60CM DUAL DISK MAGNETIC HUB

355340



BRUSHES AND PAD DRIVER GROUP, 60CM DUAL DISK MAGNETIC HUB

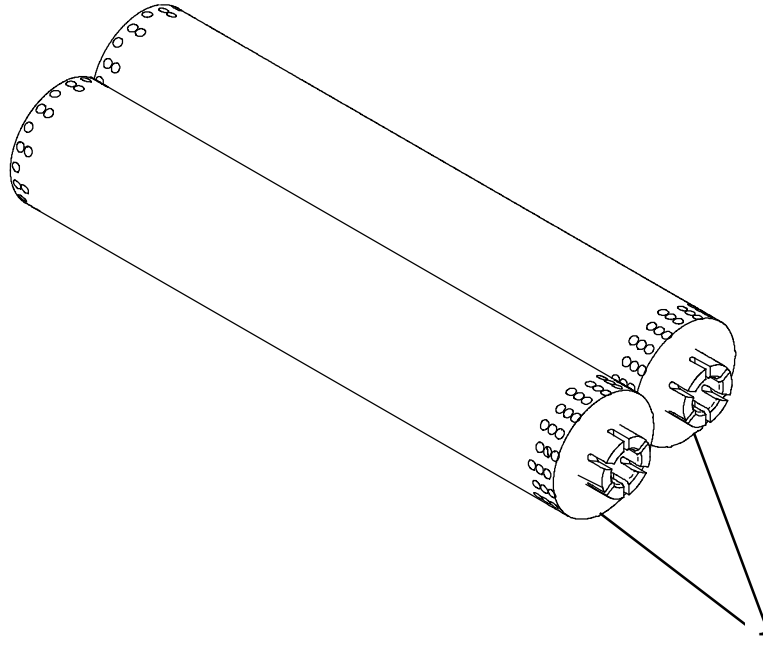
Ref.	Part No.	Serial Number	Description	Qty.
▽	1	1210136	(30000000- 40000000) Brush Assy, Disk, Scb, 30cm, Mag, Nyl	2
▽	1	1213040	(30000000- 40000000) Brush Assy, Disk, Scb, 30cm, Mag, Pyp	2
▽	1	1213041	(30000000- 40000000) Brush Assy, Disk, Scb, 30cm, Mag, Ab	2
▲	2	1218392	(30000000- 40000000) Label, Safety, Magnet, Med	1
▽	3	1209160	(30000000- 40000000) Driver Assy, Pad, 30cm, [Magnetic]	2
▲	4	41579	(30000000- 40000000) Washer, Flat, 08, Ss	3
▲	5	1212542	(30000000- 40000000) Screw, Pan, Phl, M4 X 0.70 X 12, NI, Ss	3
▲	6	1218392	(30000000- 40000000) Label, Safety, Magnet, Med	1
▲	7	370095	(30000000- 40000000) Device, Centering, Clip On, TI [Gf Pp]	1
	8	385940	(30000000- 40000000) Pad, Polish, 12.0d, White [1pick=1pad]	2
	8	385941	(30000000- 40000000) Pad, Buff, 12.0d, Red [1pick=1pad]	2
	8	385942	(30000000- 40000000) Pad, Scb, 12.0d, Blu [1pick=1pad]	2
	8	385943	(30000000- 40000000) Pad, Stripping, 12.0d, Brown[1pick=1pad]	2
	8	1063334	(30000000- 40000000) Pad, Stripping, 12.0d [Hi- Prod] Blk	2
	8	1051020	(30000000- 40000000) Pad, Surf Prep, 12.0d [Mar, 1pick=1pad]	2

▽ ASSEMBLY

▲ INCLUDED IN ASSEMBLY

BRUSHES GROUP, 50CM CYLINDRICAL

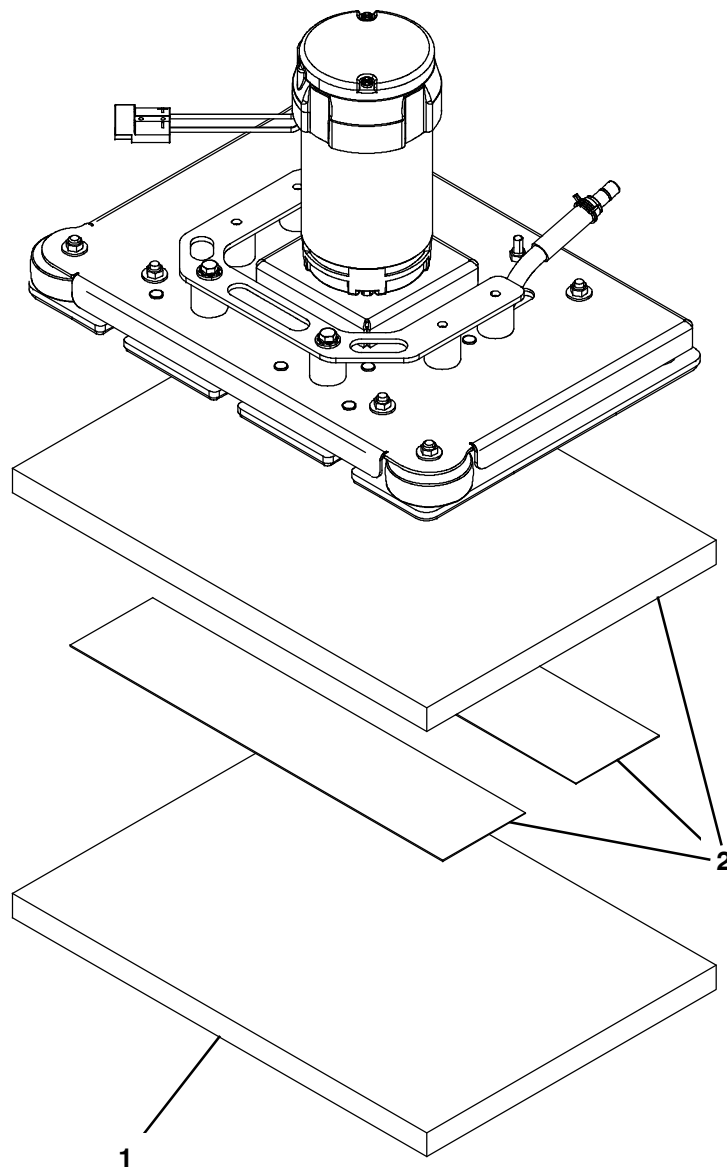
355333



Ref.	Part No.	Serial Number	Description	Qty.
1	1209188	(30000000- 40000000)	Brush, Scb, 21l, 20sr, Nyl	2
1	1212762	(30000000- 40000000)	Brush, Scb, 21l, 20sr, Pyp	2

PAD GROUP, 50CM ORBITAL

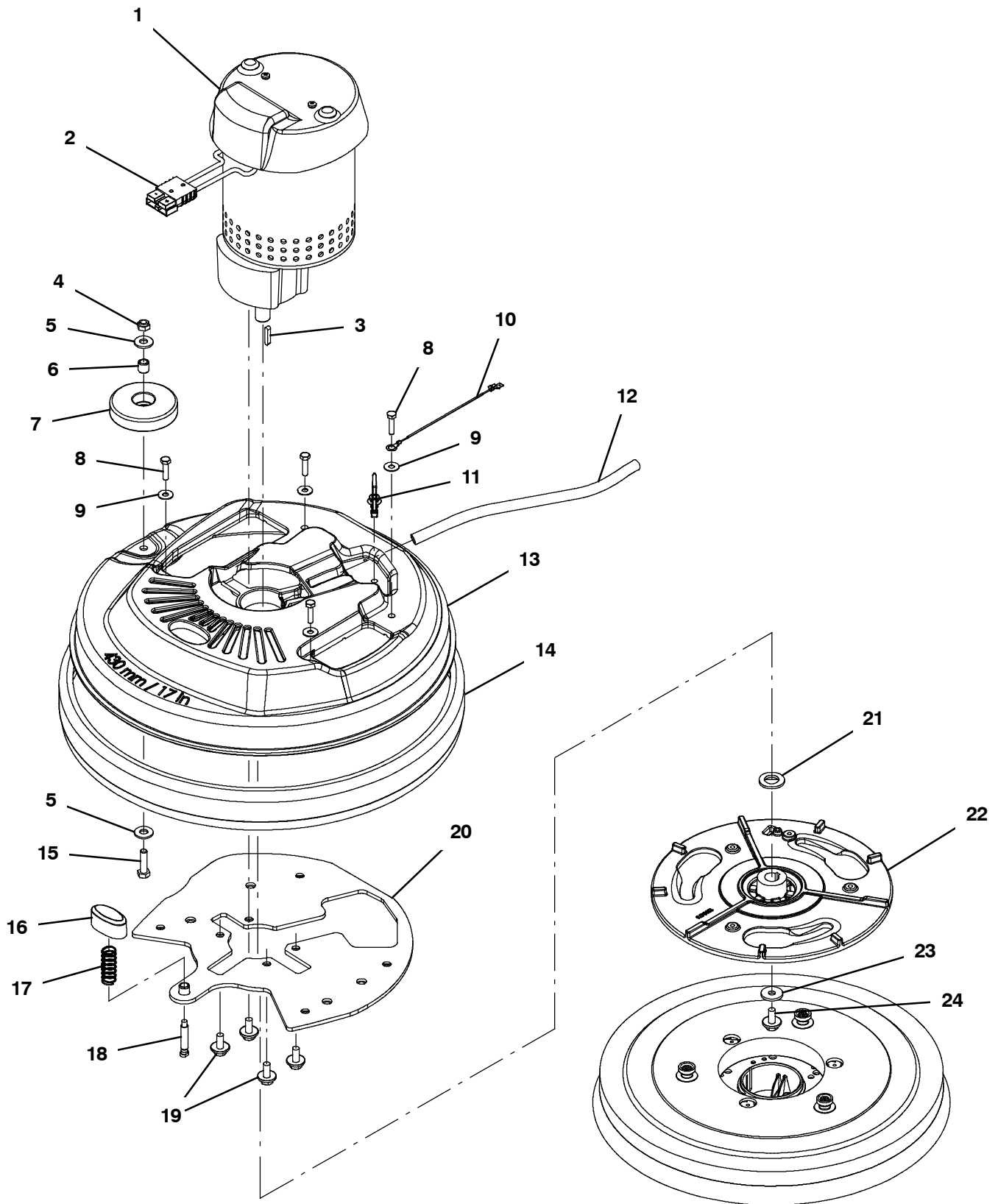
355334



Ref.	Part No.	Serial Number	Description	Qty.
1	1205512	(30000000- 40000000)	Pad, Polish, 20 X 14, White [1pick=1pc]	1
1	1205513	(30000000- 40000000)	Pad, Buff, 20 X 14, Red [1pick=1pc]	1
1	1205514	(30000000- 40000000)	Pad, Scb, 20 X 14, Blu [1pick=1pc]	1
1	1205515	(30000000- 40000000)	Pad, Surf Prep, 20 X 14[Mar, 1pick=1pad]	1
2	1217830	(30000000- 40000000)	Pad, Backer, 20 X 14	1

SCRUB HEAD GROUP, 43CM DISK, 3-LUG HUB

355290



SCRUB HEAD GROUP, 43CM DISK, 3-LUG HUB

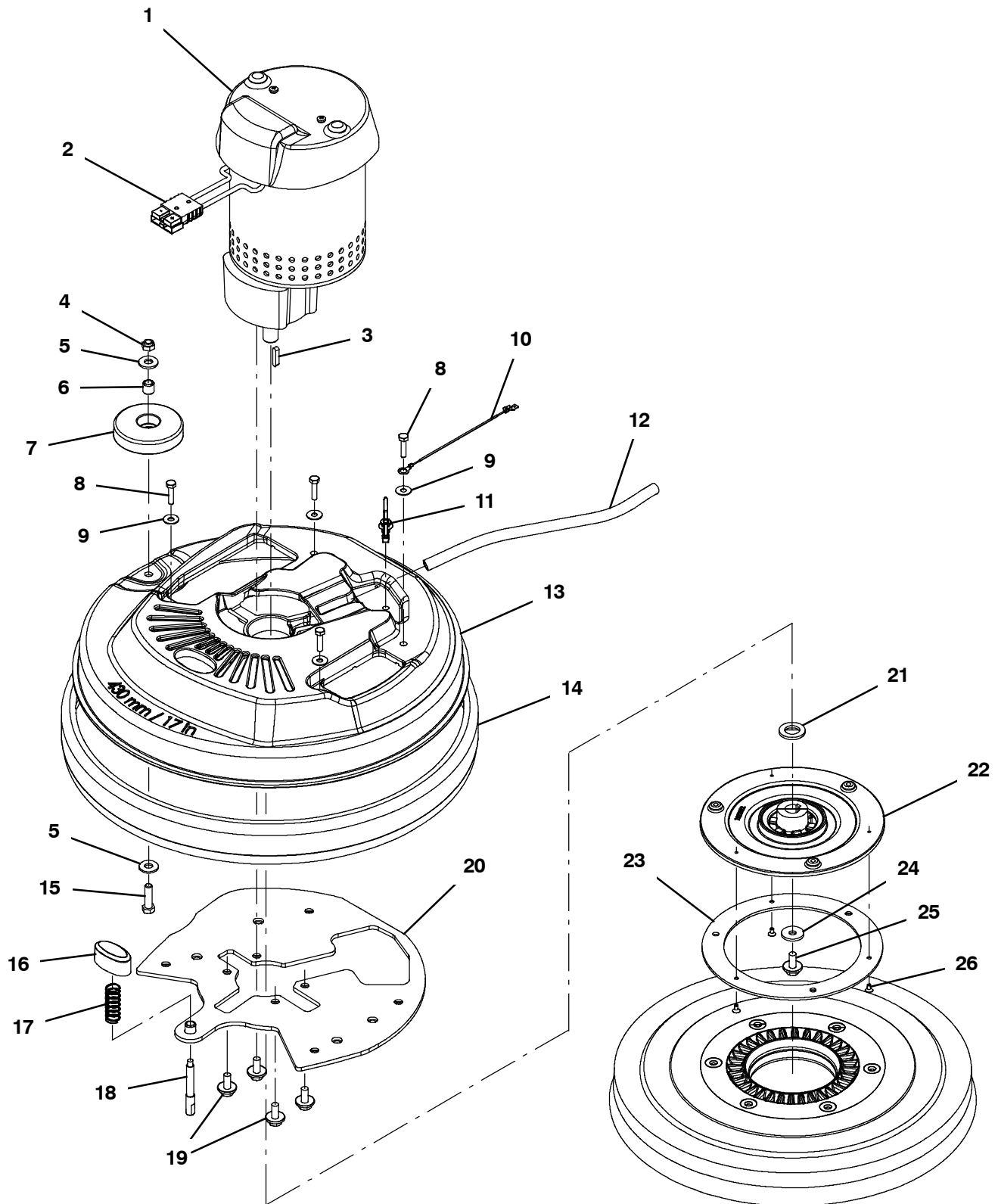
Ref.	Part No.	Serial Number	Description	Qty.
▽	1	1210703	(30000000- 40000000) Motor, Ele, 24vdc 0200rpm 1.00hp, 17mm	1
▲		222606	(30000000- 40000000) Vr, Brush Kit, Motor, Ele [Ip] (4Pc)	1
▲	2	49548	(30000000- 40000000) Connector, Anderson, 050a, Red	1
▲	3	1014328	(30000000- 40000000) Key, Sq, 05mm X 05mm, 25mm	1
	4	08713	(30000000- 40000000) Nut, Hex, Lock, M8 X 1.25, NI, Ss	1
	5	01685	(30000000- 40000000) Washer, Flat, 0.38b 0.88d .08, Ss	2
	6	222460	(30000000- 40000000) Sleeve, P/M, 0.32b 0.50d 0.5l [430ss]	1
	7	1010560	(30000000- 40000000) Wheel, Bmpr, 80d X 25w, Non- Marking	1
	8	1016005	(30000000- 40000000) Screw, Hex, M6 X 1.00 X 25, NI, FI, Ss	4
	9	01684	(30000000- 40000000) Washer, Flat, 0.27b 0.69d .05, Ss	4
	10	1074344	(30000000- 40000000) Harness, Ele [Ring With .250m Tail]	1
	11	1210807	(30000000- 40000000) Wire, Tie [W/.25" Fir Tree Clip]	1
	12	9014145	(30000000- 40000000) Hose, Afrmkt, Pe, .375id .50od, 05ft	1
	13	1212324	(30000000- 40000000) Housing, Head, 43cm	1
	14	1055019	(30000000- 40000000) Bumper, Head, 43cm, W/ Bristle Skirt, Im	1
	15	1016399	(30000000- 40000000) Screw, Hex, M8 X 1.25 X 30, NI, Ss	1
	16	1211242	(30000000- 40000000) Button, Plunger, Pad	1
	17	1212785	(30000000- 40000000) Spring, Cmpr, .66od, .05wir, 1.75l, Ss	1
	18	1211907	(30000000- 40000000) Pin, Stop, Short	1
	19	1020341	(30000000- 40000000) Screw, Hex, M8 X 1.25 X 20, Ss, Sems	4
	20	1210590	(30000000- 40000000) Plate Wldt, Head, Weighted	1
	21	1022549	(30000000- 40000000) Spacer, Shaft, 17.15b 30.0d 3.0l, Ss	1
	22	1210676	(30000000- 40000000) Hub, Drive, 3 Lug [Machined]	1
	23	1017218	(30000000- 40000000) Washer, Flat, 0.32b 1.00d .12, Ss	1
	24	1020341	(30000000- 40000000) Screw, Hex, M8 X 1.25 X 20, Ss, Sems	1

▽ ASSEMBLY

▲ INCLUDED IN ASSEMBLY

SCRUB HEAD GROUP, 43CM DISK, MAGNETIC HUB

355294



SCRUB HEAD GROUP, 43CM DISK, MAGNETIC HUB

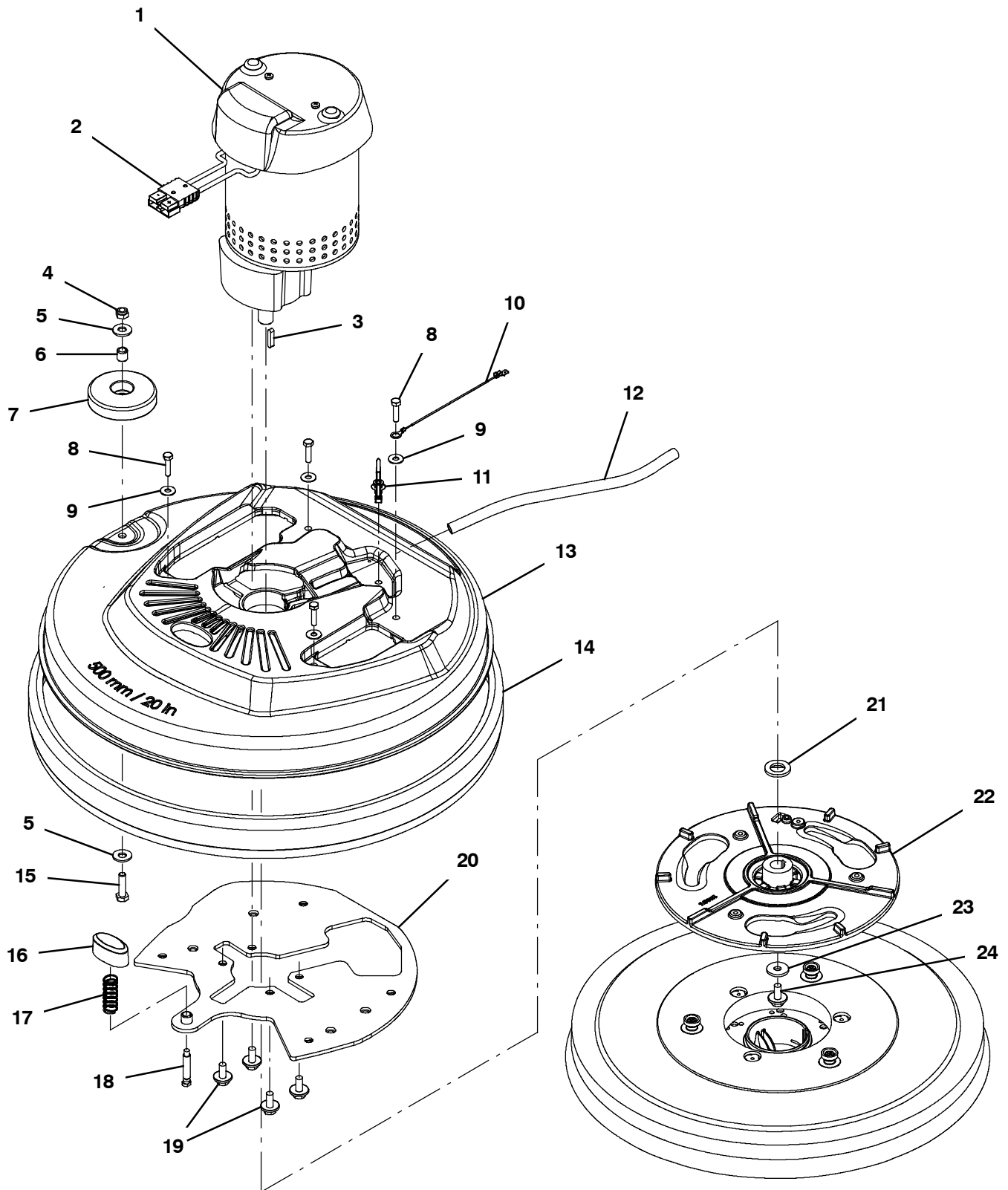
Ref.	Part No.	Serial Number	Description	Qty.
▽	1	1210703	(30000000- 40000000) Motor, Ele, 24vdc 0200rpm 1.00hp, 17mm	1
▲		222606	(30000000- 40000000) Vr, Brush Kit, Motor, Ele [Ip] (4Pc)	1
▲	2	49548	(30000000- 40000000) Connector, Anderson, 050a, Red	1
▲	3	1014328	(30000000- 40000000) Key, Sq, 05mm X 05mm, 25mm	1
	4	08713	(30000000- 40000000) Nut, Hex, Lock, M8 X 1.25, NI, Ss	1
	5	01685	(30000000- 40000000) Washer, Flat, 0.38b 0.88d .08, Ss	2
	6	222460	(30000000- 40000000) Sleeve, P/M, 0.32b 0.50d 0.5l [430ss]	1
	7	1010560	(30000000- 40000000) Wheel, Bmpr, 80d X 25w, Non- Marking	1
	8	1016005	(30000000- 40000000) Screw, Hex, M6 X 1.00 X 25, NI, FI, Ss	4
	9	01684	(30000000- 40000000) Washer, Flat, 0.27b 0.69d .05, Ss	4
	10	1074344	(30000000- 40000000) Harness, Ele [Ring With .250m Tail]	1
	11	1210807	(30000000- 40000000) Wire, Tie [W/.25" Fir Tree Clip]	1
	12	9014145	(30000000- 40000000) Hose, Afrmkt, Pe, .375id .50od, 05ft	1
	13	1212324	(30000000- 40000000) Housing, Head, 43cm	1
	14	1055019	(30000000- 40000000) Bumper, Head, 43cm, W/ Bristle Skirt, Im	1
	15	1016399	(30000000- 40000000) Screw, Hex, M8 X 1.25 X 30, NI, Ss	1
	16	1211242	(30000000- 40000000) Button, Plunger, Pad	1
	17	1212785	(30000000- 40000000) Spring, Cmpr, .66od, .05wir, 1.75l, Ss	1
	18	1211256	(30000000- 40000000) Pin, Stop, Long	1
	19	1020341	(30000000- 40000000) Screw, Hex, M8 X 1.25 X 20, Ss, Sems	4
	20	1210590	(30000000- 40000000) Plate Wldt, Head, Weighted	1
	21	1022549	(30000000- 40000000) Spacer, Shaft, 17.15b 30.0d 3.0l, Ss	1
	22	1212312	(30000000- 40000000) Hub, Drive, Magnetic [Machined]	1
	23	1205043	(30000000- 40000000) Ring, Hub, Magnetic	1
	24	1017218	(30000000- 40000000) Washer, Flat, 0.32b 1.00d .12, Ss	1
	25	1020341	(30000000- 40000000) Screw, Hex, M8 X 1.25 X 20, Ss, Sems	1
	26	630114	(30000000- 40000000) Screw, Flt, Phl, M4 X 0.70 X 8, 4.8	3

▽ ASSEMBLY

▲ INCLUDED IN ASSEMBLY

SCRUB HEAD GROUP, 50CM DISK, 3-LUG HUB

355291



SCRUB HEAD GROUP, 50CM DISK, 3-LUG HUB

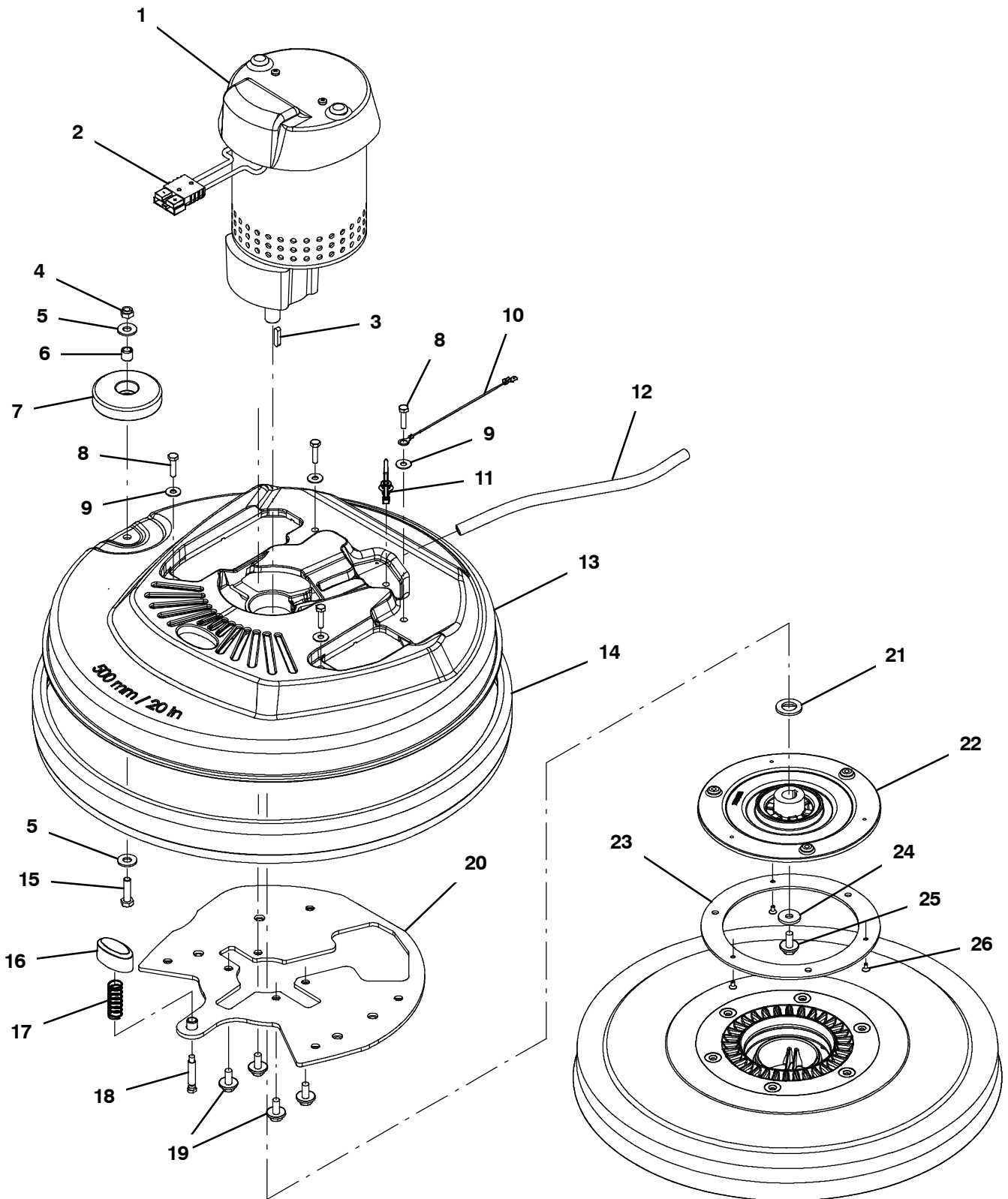
Ref.	Part No.	Serial Number	Description	Qty.
▽	1	1210703	(30000000- 40000000) Motor, Ele, 24vdc 0200rpm 1.00hp, 17mm	1
▲		222606	(30000000- 40000000) Vr, Brush Kit, Motor, Ele [lp] (4Pc)	1
▲	2	49548	(30000000- 40000000) Connector, Anderson, 050a, Red	1
▲	3	1014328	(30000000- 40000000) Key, Sq, 05mm X 05mm, 25mm	1
	4	08713	(30000000- 40000000) Nut, Hex, Lock, M8 X 1.25, NI, Ss	1
	5	01685	(30000000- 40000000) Washer, Flat, 0.38b 0.88d .08, Ss	2
	6	222460	(30000000- 40000000) Sleeve, P/M, 0.32b 0.50d 0.5l [430ss]	1
	7	1010560	(30000000- 40000000) Wheel, Bmpr, 80d X 25w, Non- Marking	1
	8	1016005	(30000000- 40000000) Screw, Hex, M6 X 1.00 X 25, NI, FI, Ss	4
	9	01684	(30000000- 40000000) Washer, Flat, 0.27b 0.69d .05, Ss	4
	10	1074344	(30000000- 40000000) Harness, Ele [Ring With .250m Tail]	1
	11	1210807	(30000000- 40000000) Wire, Tie [W/.25" Fir Tree Clip]	1
	12	9014145	(30000000- 40000000) Hose, Afrmkt, Pe, .375id .50od, 05ft	1
	13	1208041	(30000000- 40000000) Housing, Head, 50cm	1
	14	1055025	(30000000- 40000000) Bumper, Head, 50cm, W/ Bristle Skirt, Im	1
	15	1016399	(30000000- 40000000) Screw, Hex, M8 X 1.25 X 30, NI, Ss	1
	16	1211242	(30000000- 40000000) Button, Plunger, Pad	1
	17	1212785	(30000000- 40000000) Spring, Cmpr, .66od, .05wir, 1.75l, Ss	1
	18	1211907	(30000000- 40000000) Pin, Stop, Short	1
	19	1020341	(30000000- 40000000) Screw, Hex, M8 X 1.25 X 20, Ss, Sems	4
	20	1210590	(30000000- 40000000) Plate Wldt, Head, Weighted	1
	21	1022549	(30000000- 40000000) Spacer, Shaft, 17.15b 30.0d 3.0l, Ss	1
	22	1210676	(30000000- 40000000) Hub, Drive, 3 Lug [Machined]	1
	23	1017218	(30000000- 40000000) Washer, Flat, 0.32b 1.00d .12, Ss	1
	24	1020341	(30000000- 40000000) Screw, Hex, M8 X 1.25 X 20, Ss, Sems	1

▽ ASSEMBLY

▲ INCLUDED IN ASSEMBLY

SCRUB HEAD GROUP, 50CM DISK, MAGNETIC HUB

355295



SCRUB HEAD GROUP, 50CM DISK, MAGNETIC HUB

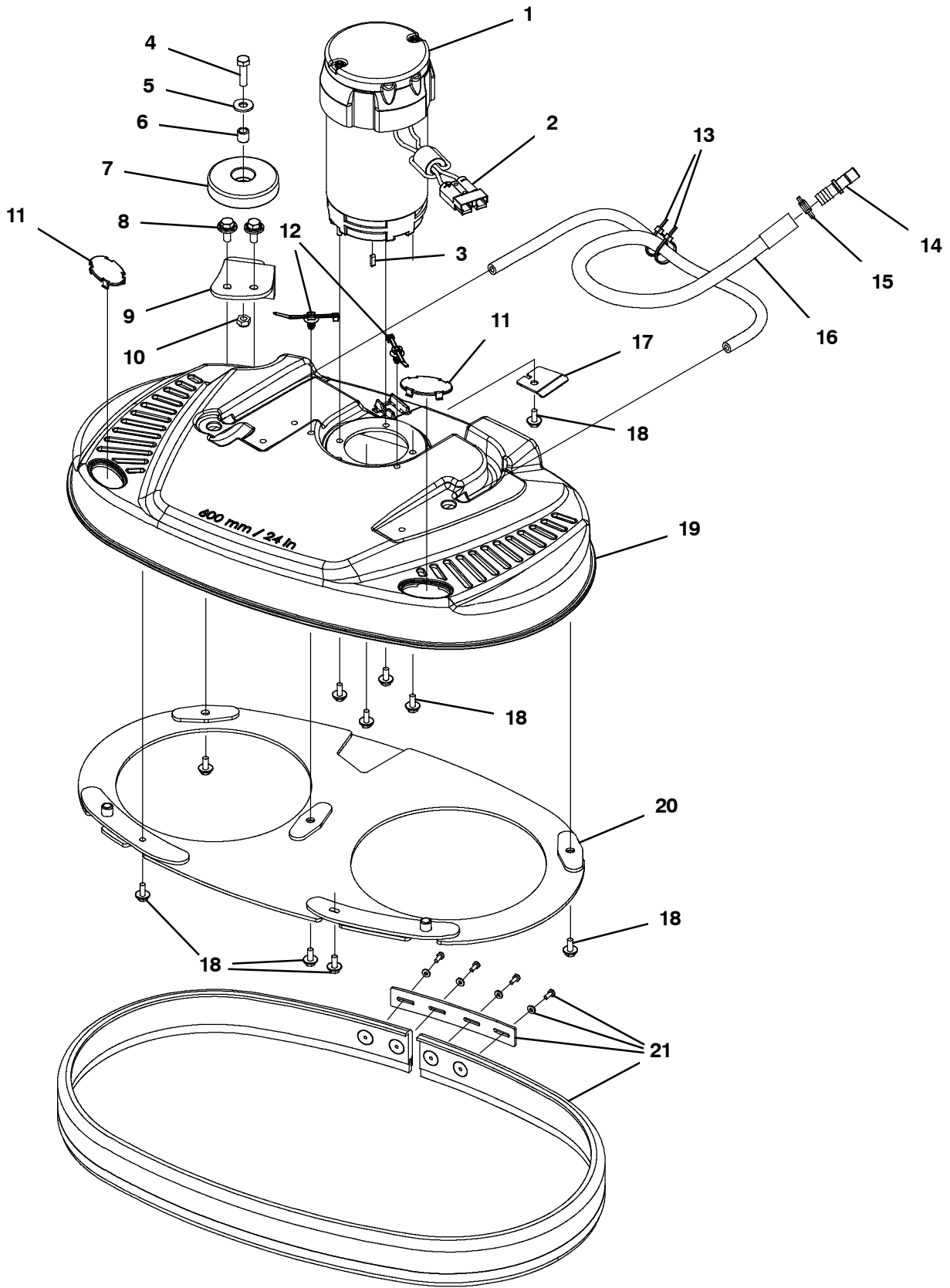
Ref.	Part No.	Serial Number	Description	Qty.
▽	1	1210703	(30000000- 40000000) Motor, Ele, 24vdc 0200rpm 1.00hp, 17mm	1
▲		222605	(30000000- 40000000) Vr, Brush Kit, Motor, Ele [Ip] (4Pc)	1
▲	2	49548	(30000000- 40000000) Connector, Anderson, 050a, Red	1
▲	3	1014328	(30000000- 40000000) Key, Sq, 05mm X 05mm, 25mm l	1
	4	08713	(30000000- 40000000) Nut, Hex, Lock, M8 X 1.25, NI, Ss	1
	5	01685	(30000000- 40000000) Washer, Flat, 0.38b 0.88d .08, Ss	2
	6	222460	(30000000- 40000000) Sleeve, P/M, 0.32b 0.50d 0.5l [430ss]	1
	7	1010560	(30000000- 40000000) Wheel, Bmpr, 80d X 25w, Non- Marking	1
	8	1016005	(30000000- 40000000) Screw, Hex, M6 X 1.00 X 25, NI, FI, Ss	4
	9	01684	(30000000- 40000000) Washer, Flat, 0.27b 0.69d .05, Ss	4
	10	1074344	(30000000- 40000000) Harness, Ele [Ring With .250m Tail]	1
	11	1210807	(30000000- 40000000) Wire, Tie [W/.25" Fir Tree Clip]	1
	12	9014145	(30000000- 40000000) Hose, Afrmkt, Pe, .375id .50od, 05ft	1
	13	1208041	(30000000- 40000000) Housing, Head, 50cm	1
	14	1055025	(30000000- 40000000) Bumper, Head, 50cm, W/ Bristle Skirt, Im	1
	15	1016399	(30000000- 40000000) Screw, Hex, M8 X 1.25 X 30, NI, Ss	1
	16	1211242	(30000000- 40000000) Button, Plunger, Pad	1
	17	1212785	(30000000- 40000000) Spring, Cmpr, .66od, .05wir, 1.75l, Ss	1
	18	1211256	(30000000- 40000000) Pin, Stop, Long	1
	19	1020341	(30000000- 40000000) Screw, Hex, M8 X 1.25 X 20, Ss, Sems	4
	20	1210590	(30000000- 40000000) Plate Wldt, Head, Weighted	1
	21	1022549	(30000000- 40000000) Spacer, Shaft, 17.15b 30.0d 3.0l, Ss	1
	22	1212312	(30000000- 40000000) Hub, Drive, Magnetic [Machined]	1
	23	1205043	(30000000- 40000000) Ring, Hub, Magnetic	1
	24	1017218	(30000000- 40000000) Washer, Flat, 0.32b 1.00d .12, Ss	1
	25	1020341	(30000000- 40000000) Screw, Hex, M8 X 1.25 X 20, Ss, Sems	1
	26	630114	(30000000- 40000000) Screw, Flt, Phl, M4 X 0.70 X 8, 4.8	3

▽ ASSEMBLY

▲ INCLUDED IN ASSEMBLY

SCRUB HEAD GROUP, 60CM DUAL DISK, 3-LUG HUB

355292



SCRUB HEAD GROUP, 60CM DUAL DISK, 3- LUG HUB

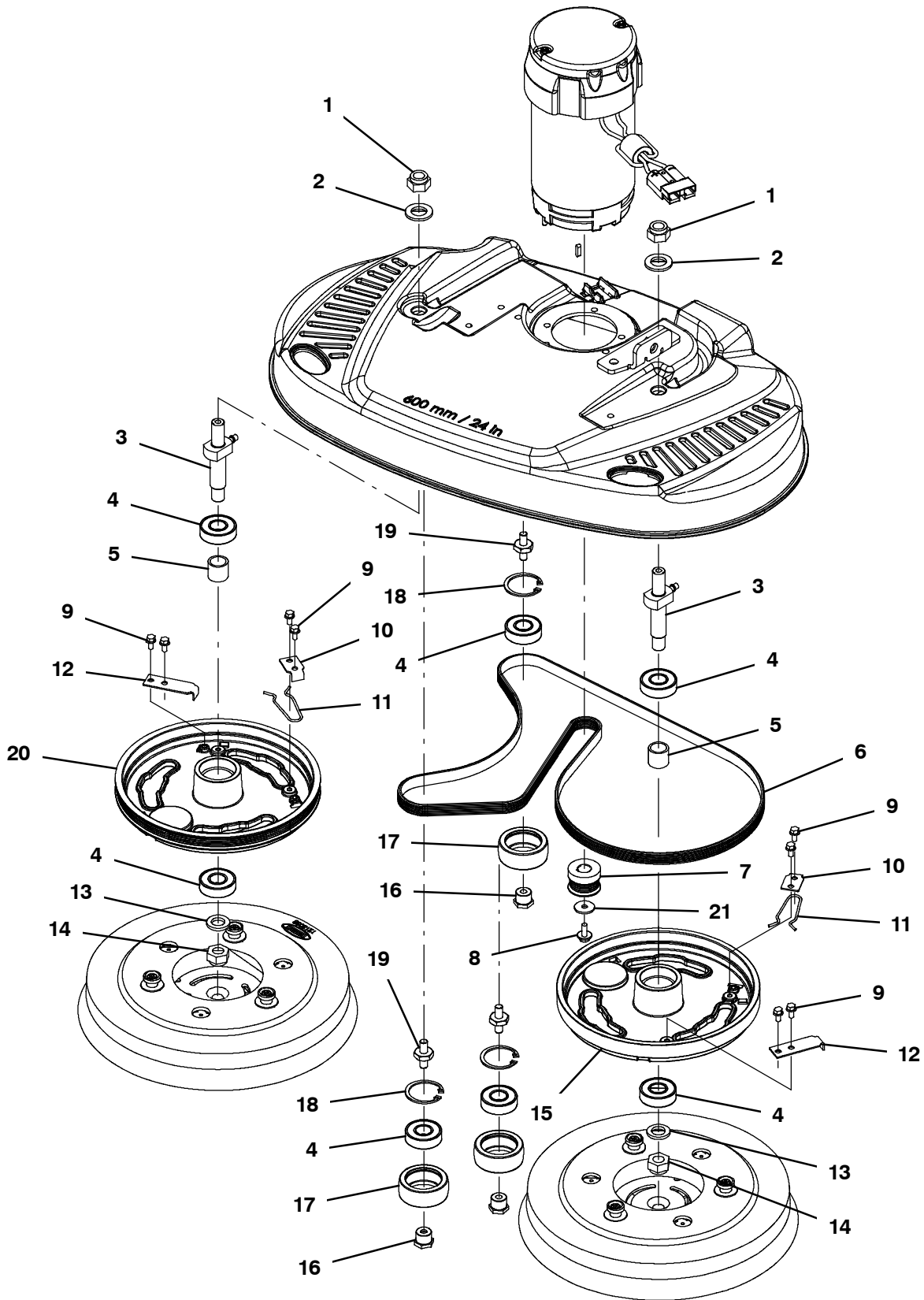
Ref.	Part No.	Serial Number	Description	Qty.
▽	1	1210212	(30000000- 40000000) Motor, 24vdc, 2000rpm, 7/8hp, Us	1
▲		1059370	(30000000- 40000000) Brush, Motor, Replmt [Bag Of 4]	1
▲	2	49548	(30000000- 40000000) Connector, Anderson, 050a, Red	1
▲	3	1217769	(30000000- 40000000) Key, Sq, 04mm X 04mm, 15mml	1
	4	09011	(30000000- 40000000) Screw, Hex, M8 X 1.25 X 30, Ss	1
	5	01685	(30000000- 40000000) Washer, Flat, 0.38b 0.88d .08, Ss	1
	6	222460	(30000000- 40000000) Sleeve, P/M, 0.32b 0.50d 0.5l [430ss]	1
	7	1010560	(30000000- 40000000) Wheel, Bmpr, 80d X 25w, Non- Marking	1
	8	1020341	(30000000- 40000000) Screw, Hex, M8 X 1.25 X 20, Ss, Sems	2
	9	1211506	(30000000- 40000000) Bracket, Rlr, Wall, Scb Head	1
	10	08713	(30000000- 40000000) Nut, Hex, Lock, M8 X 1.25, Ni, Ss	1
	11	1212288	(30000000- 40000000) Cover, Hole, Plunger	2
	12	1210807	(30000000- 40000000) Wire, Tie [W/.25" Fir Tree Clip]	2
	13	130773	(30000000- 40000000) Tie, Cable, Nyl, 11.0l, .14w, 3.0 Max. D	2
	14	1212807	(30000000- 40000000) Fitting, Plstc, Str, Qm08/Bm08	1
	15	607776	(30000000- 40000000) Clamp, Hose, Wir, .73 - .77, Silver	1
	16	1216084	(30000000- 40000000) Manifold, Distribution, Water, 60dd [Vw]	1
	17	1217752	(30000000- 40000000) Bracket, Belt Guide	1
	18	1034731	(30000000- 40000000) Screw, Hex, M6 X 1.00 X 16, Sems, Ss	10
	19	1211027	(30000000- 40000000) Housing, Head, 60cm [Machined]	1
	20	1216346	(30000000- 40000000) Bracket Wldt, Guard, Splash, 60cm	1
	21	1072656	(30000000- 40000000) Bumper, Head, 60cm, Bristle Skirt	1

▽ ASSEMBLY

▲ INCLUDED IN ASSEMBLY

SCRUB HEAD GROUP, 60CM DUAL DISK, 3-LUG HUB - CONT'D

355335

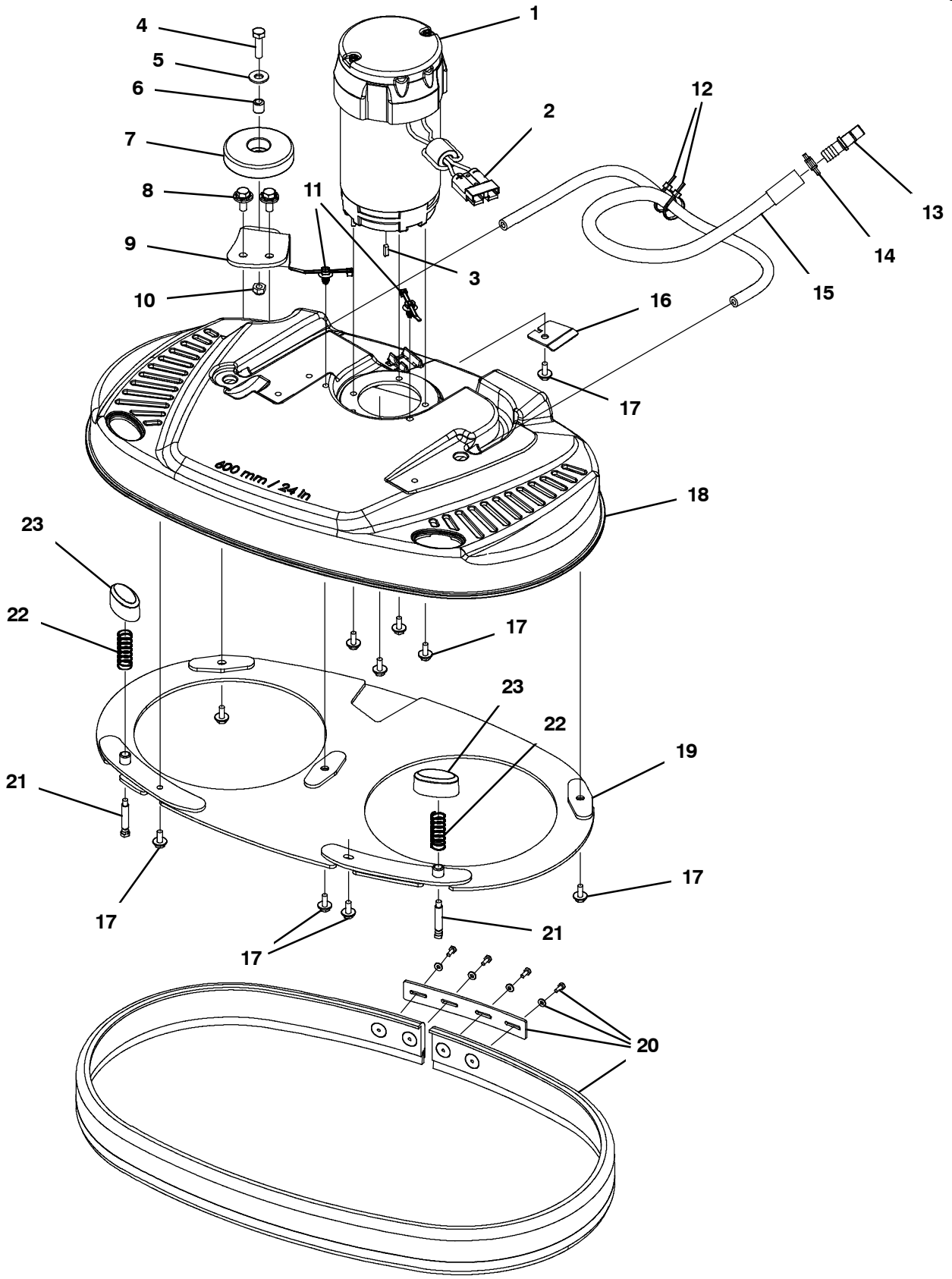


SCRUB HEAD GROUP, 60CM DUAL DISK, 3-LUG HUB - CONT'D

Ref.	Part No.	Serial Number	Description	Qty.
1	41517	(30000000- 40000000)	Nut, Hex, Lock, M14 X 2.00, NI	2
2	1022549	(30000000- 40000000)	Spacer, Shaft, 17.15b 30.0d 3.0l, Ss	2
3	1214206	(30000000- 40000000)	Shaft Wldt, Mtg, Pulley	2
4	1211187	(30000000- 40000000)	Bearing, Ball, 0.67b 1.57d 0.47w [6203]	7
5	1011041	(30000000- 40000000)	Tube, 0.69id 0.87od 00.8l, Stl, Pl	2
6	1055305	(30000000- 40000000)	Belt, Drive, 6pj, Ej139 [T3]	1
7	1213927	(30000000- 40000000)	Sheave, 06grv, 1.25pd 0.54b, Ss [Keyed]	1
8	1034731	(30000000- 40000000)	Screw, Hex, M6 X 1.00 X 16, Sems, Ss	1
9	223198	(30000000- 40000000)	Screw, Hex, M5 X 0.80 X 10, Fmg	8
10	1011201	(30000000- 40000000)	Plate, Drive Hub, Release Clip [T3]	2
11	1013188	(30000000- 40000000)	Clip, Spring, Drive Hub, Release [T3]	2
12	1013592	(30000000- 40000000)	Plate, Drive Hub, Release Stop [T3 Dd]	2
13	382534	(30000000- 40000000)	Washer, Flat, 0.59b 1.00d .12, Ss [409]	2
14	41517	(30000000- 40000000)	Nut, Hex, Lock, M14 X 2.00, NI	2
15	1059205	(30000000- 40000000)	Hub, Drive, 3lug, Alm, 2disk, Flt	1
16	1011008	(30000000- 40000000)	Spacer, Brg, Idler	3
17	1058514	(30000000- 40000000)	Pulley, Idler, 55d X 21w[60cm Dual Disk]	3
18	1013884	(30000000- 40000000)	Ring, Retaining, Int, 40mm, Ss	3
19	1211624	(30000000- 40000000)	Stud, M8 X 1.25, Dbl End W/Hex, Ss	3
20	1059206	(30000000- 40000000)	Hub, Drive, 3lug, Alm, 2disk, 6grv	1
21	019680127	(30000000- 40000000)	Washer, Flat, 6.2mm Id X 22.0mm Od X 1.9	1

SCRUB HEAD GROUP, 60CM DUAL DISK, MAGNETIC HUB

355296



SCRUB HEAD GROUP, 60CM DUAL DISK, MAGNETIC HUB

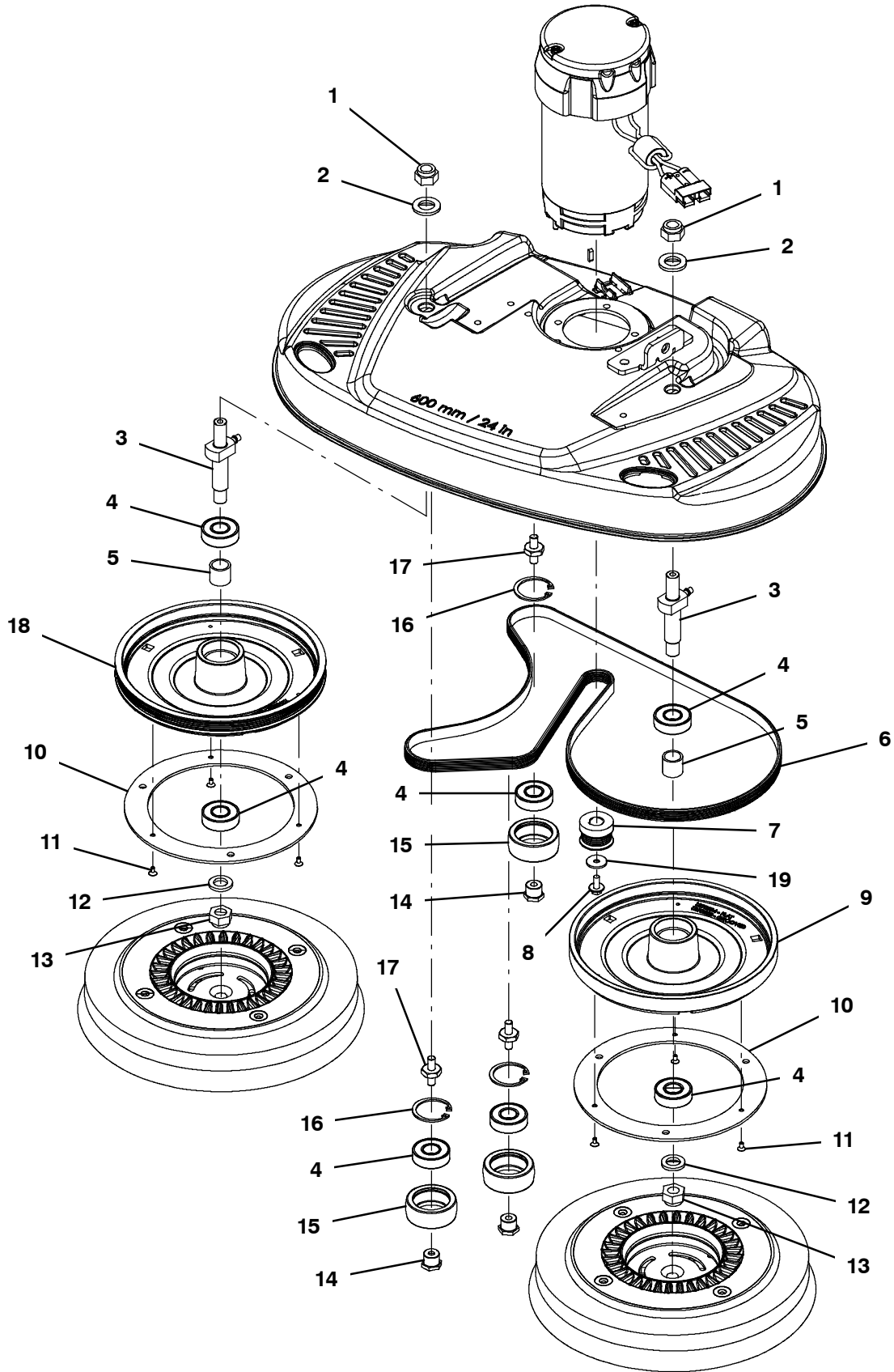
Ref.	Part No.	Serial Number	Description	Qty.
▽	1	1210212	(30000000- 40000000) Motor, 24vdc, 2000rpm, 7/8hp, Us	1
▲		1059370	(30000000- 40000000) Brush, Motor, Replmt [Bag Of 4]	1
▲	2	49548	(30000000- 40000000) Connector, Anderson, 050a, Red	1
▲	3	1217769	(30000000- 40000000) Key, Sq, 04mm X 04mm, 15mml	1
	4	09011	(30000000- 40000000) Screw, Hex, M8 X 1.25 X 30, Ss	1
	5	01685	(30000000- 40000000) Washer, Flat, 0.38b 0.88d .08, Ss	1
	6	222460	(30000000- 40000000) Sleeve, P/M, 0.32b 0.50d 0.5l [430ss]	1
	7	1010560	(30000000- 40000000) Wheel, Bmpr, 80d X 25w, Non- Marking	1
	8	1020341	(30000000- 40000000) Screw, Hex, M8 X 1.25 X 20, Ss, Sems	2
	9	1211506	(30000000- 40000000) Bracket, Rlr, Wall, Scb Head	1
	10	08713	(30000000- 40000000) Nut, Hex, Lock, M8 X 1.25, Ni, Ss	1
	11	1210807	(30000000- 40000000) Wire, Tie [W/.25" Fir Tree Clip]	2
	12	130773	(30000000- 40000000) Tie, Cable, Nyl, 11.0l, .14w, 3.0 Max. D	2
	13	1212807	(30000000- 40000000) Fitting, Plstc, Str, Qm08/Bm08	1
	14	607776	(30000000- 40000000) Clamp, Hose, Wir, .73 - .77, Silver	1
	15	1216084	(30000000- 40000000) Manifold, Distribution, Water, 60dd [Vw]	1
	16	1217752	(30000000- 40000000) Bracket, Belt Guide	1
	17	1034731	(30000000- 40000000) Screw, Hex, M6 X 1.00 X 16, Sems, Ss	10
	18	1211027	(30000000- 40000000) Housing, Head, 60cm [Machined]	1
	19	1216346	(30000000- 40000000) Bracket Wldt, Guard, Splash, 60cm	1
	20	1072656	(30000000- 40000000) Bumper, Head, 60cm, Bristle Skirt	1
	21	1211907	(30000000- 40000000) Pin, Stop, Short	2
	22	1212785	(30000000- 40000000) Spring, Cmpr, .66od, .05wir, 1.75l, Ss	2
	23	1211242	(30000000- 40000000) Button, Plunger, Pad	2

▽ ASSEMBLY

▲ INCLUDED IN ASSEMBLY

SCRUB HEAD GROUP, 60CM DUAL DISK, MAGNETIC HUB - CONT'D

355336

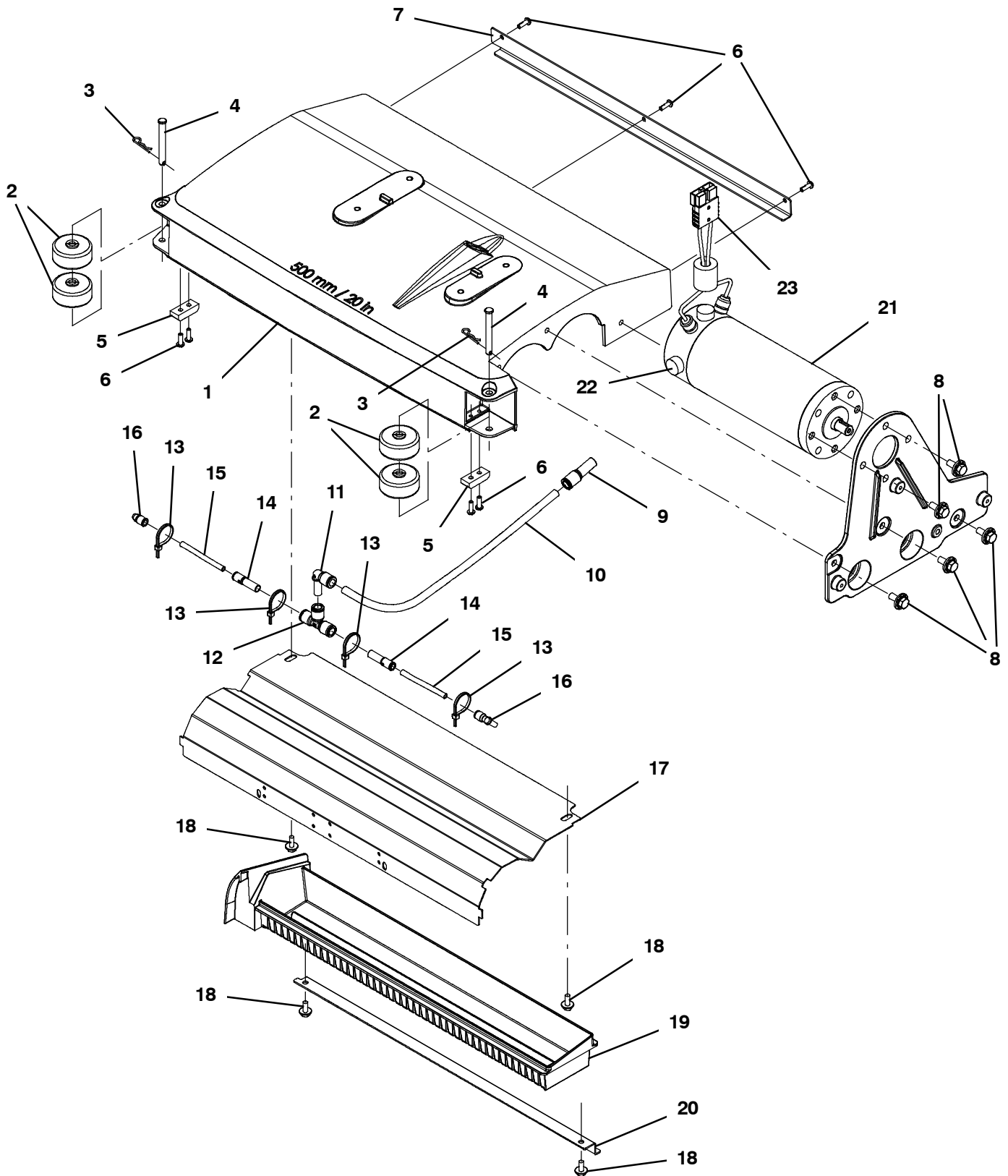


SCRUB HEAD GROUP, 60CM DUAL DISK, MAGNETIC HUB - CONT'D

Ref.	Part No.	Serial Number	Description	Qty.
1	41517	(30000000- 40000000)	Nut, Hex, Lock, M14 X 2.00, NI	2
2	1022549	(30000000- 40000000)	Spacer, Shaft, 17.15b 30.0d 3.0l, Ss	2
3	1214206	(30000000- 40000000)	Shaft Wldt, Mtg, Pulley	2
4	1211187	(30000000- 40000000)	Bearing, Ball, 0.67b 1.57d 0.47w [6203]	7
5	1011041	(30000000- 40000000)	Tube, 0.69id 0.87od 00.8l, Stl, PI	2
6	1055305	(30000000- 40000000)	Belt, Drive, 6pj, Ej139 [T3]	1
7	1213927	(30000000- 40000000)	Sheave, 06grv, 1.25pd 0.54b, Ss [Keyed]	1
8	1034731	(30000000- 40000000)	Screw, Hex, M6 X 1.00 X 16, Sems, Ss	1
9	1210504	(30000000- 40000000)	Hub, Drive, Magnetic, Flat, 60cm Dd	1
10	1205043	(30000000- 40000000)	Ring, Hub, Magnetic	2
11	630114	(30000000- 40000000)	Screw, Flt, Phl, M4 X 0.70 X 8, 4.8	6
12	382534	(30000000- 40000000)	Washer, Flat, 0.59b 1.00d .12, Ss [409]	2
13	41517	(30000000- 40000000)	Nut, Hex, Lock, M14 X 2.00, NI	2
14	1011008	(30000000- 40000000)	Spacer, Brg, Idler	3
15	1058514	(30000000- 40000000)	Pulley, Idler, 55d X 21w[60cm Dual Disk]	3
16	1013884	(30000000- 40000000)	Ring, Retaining, Int, 40mm, Ss	3
17	1211624	(30000000- 40000000)	Stud, M8 X 1.25, Dbl End W/Hex, Ss	3
18	1210503	(30000000- 40000000)	Hub, Drive, Magnetic, Grooved, 60cm Dd	1
19	019680127	(30000000- 40000000)	Washer, Flat, 6.2mm Id X 22.0mm Od X 1.9	1

SCRUB HEAD GROUP, 50CM CYLINDRICAL

355297



SCRUB HEAD GROUP, 50CM CYLINDRICAL

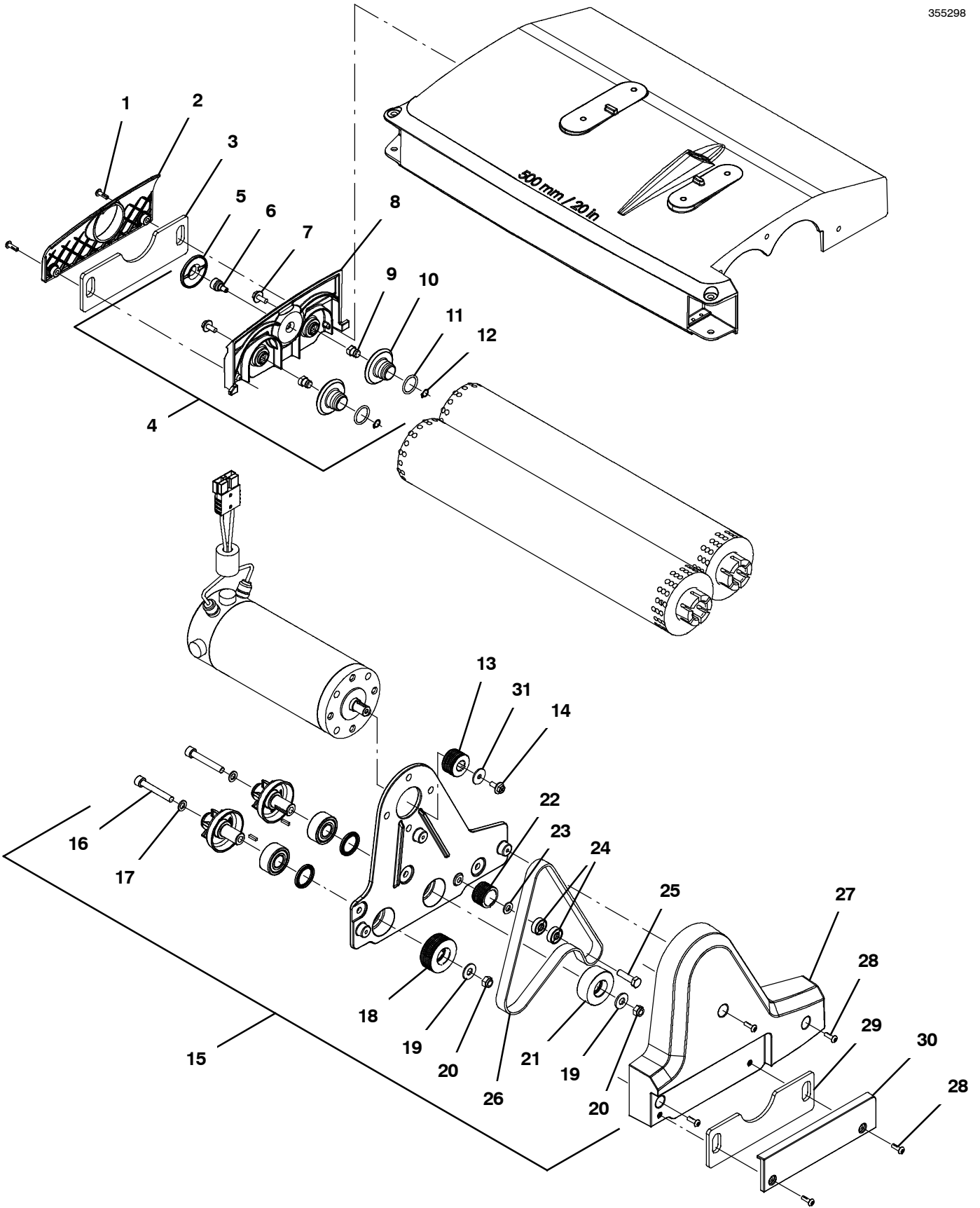
Ref.	Part No.	Serial Number	Description	Qty.	
1	1212265	(30000000- 40000000)	Housing, Brush, Dbl 50cm [Machined]	1	
2	630477	(30000000- 40000000)	Wheel, Pyu, 02.0d 0.38w, Gray	4	
3	1216647	(30000000- 40000000)	Pin, Cotter, Hair, 0.38d .054 Wir	2	
4	391179	(30000000- 40000000)	Pin, Clevis, 0.37d X 2.62l	2	
5	1215675	(30000000- 40000000)	Skid, Brush Housing	2	
6	1205799	(30000000- 40000000)	Screw, Btn, M5 X 0.8 X 16, 8.8, NI, Torx	7	
7	1213708	(30000000- 40000000)	Bracket, Tray, Debris	1	
8	1020341	(30000000- 40000000)	Screw, Hex, M8 X 1.25 X 20, Ss, Sems	7	
9	1215218	(30000000- 40000000)	Fitting, Plstc, Str, Qf06/Qm08	1	
10	1014986	(30000000- 40000000)	Hose, Afrmkt, Pvc, Clr, 0.25id, 02ft	1	
11	1215186	(30000000- 40000000)	Fitting, Plstc, E90, Qf06/Qm06	1	
12	1212573	(30000000- 40000000)	Fitting, Plstc, Tee, Qf06/Qf06/Qf06	1	
13	130773	(30000000- 40000000)	Tie, Cable, Nyl, 11.0l, .14w, 3.0 Max. D	4	
14	1212934	(30000000- 40000000)	Fitting, Plstc, Str, Qf04/Qm06	2	
15	160827	(30000000- 40000000)	Hose, Pvc, Clr, 0.12id 0.25od 010.5l	1	
16	1214339	(30000000- 40000000)	Fitting, Plstc, E90, Qfo4/Qm04	2	
17	1210279	(30000000- 40000000)	Panel, Wrap, Brush	1	
18	1034731	(30000000- 40000000)	Screw, Hex, M6 X 1.00 X 16, Sems, Ss	4	
19	1213706	(30000000- 40000000)	Tray, Debris, 500mm [Im]	1	
20	1213707	(30000000- 40000000)	Bracket, Tray, Debris	1	
▽	21	1210202	(30000000- 40000000)	Motor, Ele, 24vdc [Vw Cyl]	1
▲		1217769	(30000000- 40000000)	Key, Sq, 04mm X 04mm, 15mml	1
▲	22	1039817	(30000000- 40000000)	Vr, Brush Kit, Motor, Ele (1 Pkg = 4 Pcs)	1
▲	23	49548	(30000000- 40000000)	Connector, Anderson, 050a, Red	1

▽ ASSEMBLY

▲ INCLUDED IN ASSEMBLY

SCRUB HEAD GROUP, 50CM CYLINDRICAL - CONT'D

355298



SCRUB HEAD GROUP, 50CM CYLINDRICAL - CONT'D

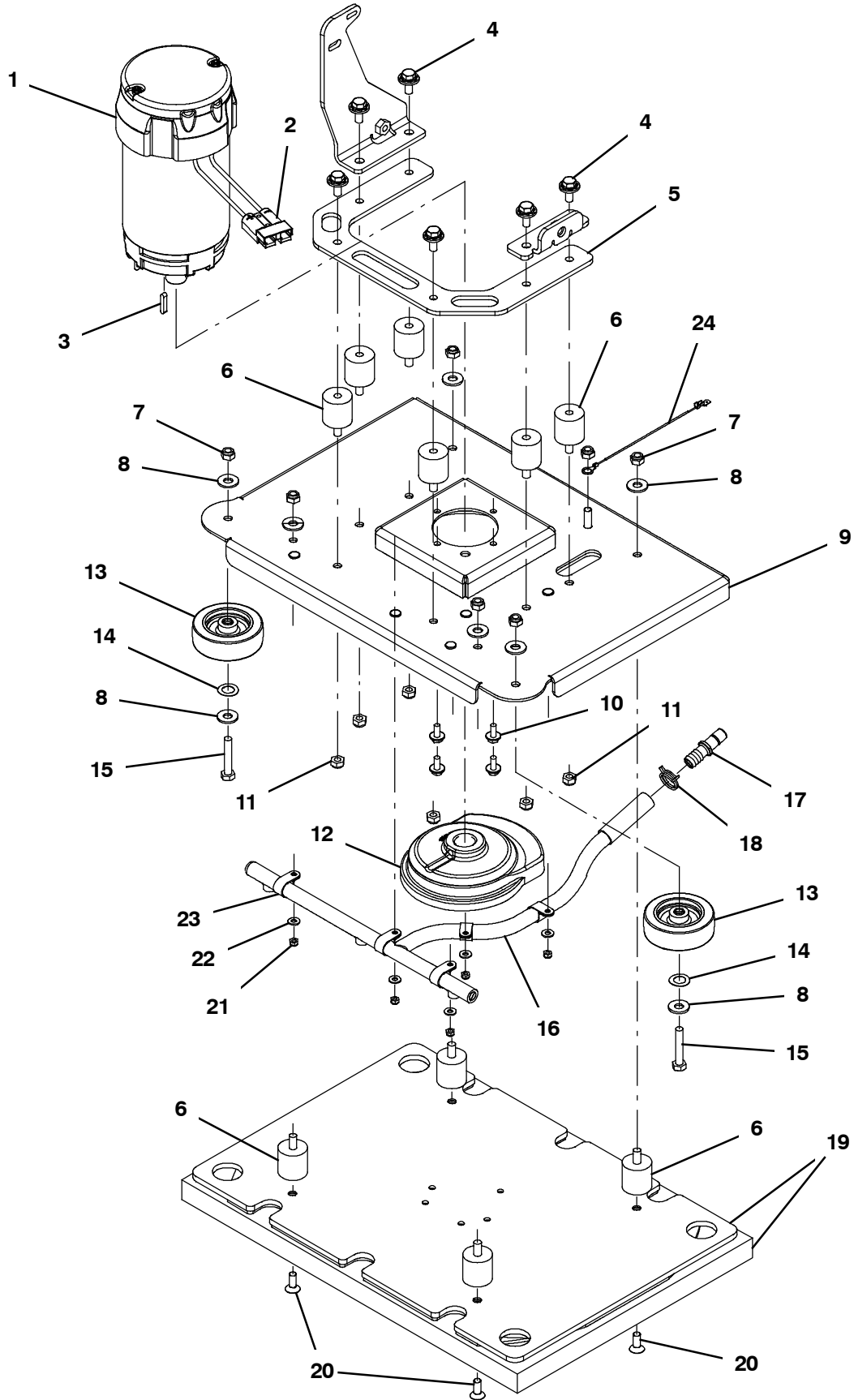
Ref.	Part No.	Serial Number	Description	Qty.	
1	1205799	(30000000- 40000000)	Screw, Btn, M5 X 0.8 X 16, 8.8, NI, Torx	2	
2	1216689	(30000000- 40000000)	Cover, Skirt, Cyl Door	1	
3	1215666	(30000000- 40000000)	Skirt, Side, Cyl, Floating	1	
▽	4	9014168	(30000000- 40000000)	Door Assy, Brush	1
▲	5	1215581	(30000000- 40000000)	Cap, Screw	1
▲	6	1062149	(30000000- 40000000)	Knob, Rnd, 0.58d 0.50l, .25- 20x.50l Stud	1
▲	7	1034731	(30000000- 40000000)	Screw, Hex, M6 X 1.00 X 16, Sems, Ss	2
▲	8	1212250	(30000000- 40000000)	Door, Brush [Machined]	1
▲	9	1030682	(30000000- 40000000)	Shaft, Idler Plug	2
▲	10	1030680	(30000000- 40000000)	Hub, Idler, Brush	2
▲	11	1042312	(30000000- 40000000)	Seal, Org, .103 X .862 Id, 118	2
▲	12	01543	(30000000- 40000000)	Ring, Retaining, Ext, 0.39d, Basic	2
	13	1210116	(30000000- 40000000)	Sheave, Motor, 07grv 1.3pd 0.50b [Pj]	1
	14	1034731	(30000000- 40000000)	Screw, Hex, M6 X 1.00 X 16, Sems, Ss	1
▽	15	9014167	(30000000- 40000000)	Brkt Assy, Motor, Sgl Mount	1
▲	16	1057476	(30000000- 40000000)	Screw, Soc, M8 X 1.25 X 55, Ss	2
▲	17	1057482	(30000000- 40000000)	Washer, Flat, 0.33b 0.57d 0.06, Ss	2
▲	18	1210204	(30000000- 40000000)	Sheave, Drive, Grvd 07grv, 2.0pd 0.67b [1
▲	19	01685	(30000000- 40000000)	Washer, Flat, 0.38b 0.88d .08, Ss	2
▲	20	08713	(30000000- 40000000)	Nut, Hex, Lock, M8 X 1.25, NI, Ss	2
▲	21	1210232	(30000000- 40000000)	Sheave, Drive, Smooth 2.0pd 0.67b	1
▲	22	1210233	(30000000- 40000000)	Sheave, Idler, 07grv 1.2pd 0.87b [Pj]	1
▲	23	1216289	(30000000- 40000000)	Spacer, Pulley, 2cyl, Pm [Vw]	1
▲	24	1027651	(30000000- 40000000)	Bearing, Ball, 8mmb X 22mmd X 7mmw	2
▲	25	1016399	(30000000- 40000000)	Screw, Hex, M8 X 1.25 X 30, NI, Ss	1
▲	26	9014166	(30000000- 40000000)	Kit, Belt, Motor (Includes Installation Tool - Not Shown)	1
	27	1209594	(30000000- 40000000)	Cover, Belt	1
	28	1205799	(30000000- 40000000)	Screw, Btn, M5 X 0.8 X 16, 8.8, NI, Torx	5
	29	1215666	(30000000- 40000000)	Skirt, Side, Cyl, Floating	1
	30	1216728	(30000000- 40000000)	Cover, Skirt, Cyl Head	1
	31	019680127	(30000000- 40000000)	Washer, Flat, 6.2mm Id X 22.0mm Od X 1.9	1

▽ ASSEMBLY

▲ INCLUDED IN ASSEMBLY

SCRUB HEAD GROUP, 50CM ORBITAL

355293



SCRUB HEAD GROUP, 50CM ORBITAL

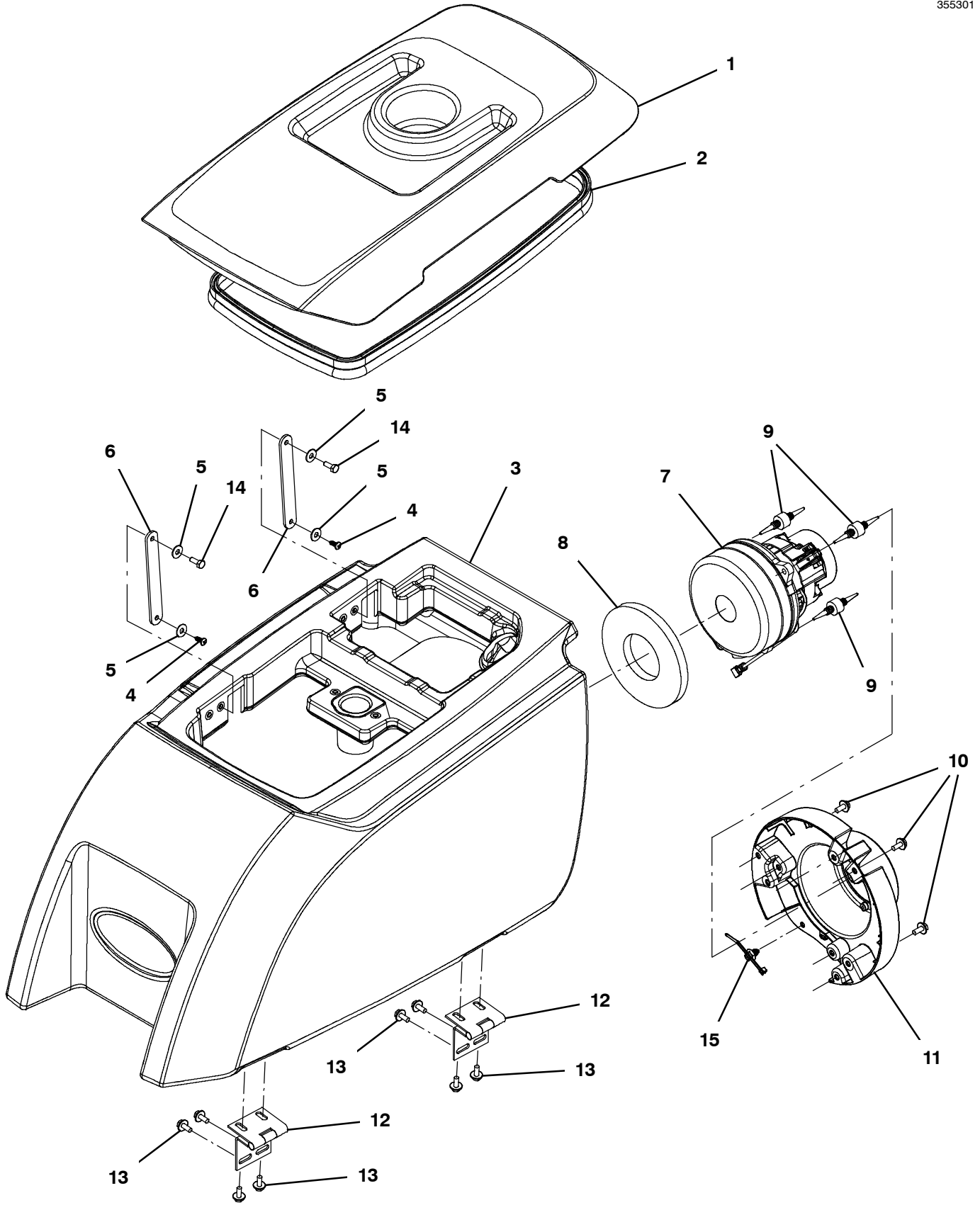
Ref.	Part No.	Serial Number	Description	Qty.
▽	1	1212669	(30000000- 40000000) Motor, Ele, 24vdc, 2200rpm, .6hp, 22mm	1
▲		1059370	(30000000- 40000000) Brush, Motor, Replmt [Bag Of 4]	1
▲	2	49548	(30000000- 40000000) Connector, Anderson, 050a, Red	1
▲	3	1014328	(30000000- 40000000) Key, Sq, 05mm X 05mm, 25mml	1
	4	1020341	(30000000- 40000000) Screw, Hex, M8 X 1.25 X 20, Ss, Sems	6
	5	1209745	(30000000- 40000000) Plate, Mtg, Head [50cm Orb]	1
	6	1212543	(30000000- 40000000) Isolator, Neoprene, 1.25" X 1.25", M8	10
	7	08713	(30000000- 40000000) Nut, Hex, Lock, M8 X 1.25, NI, Ss	2
	8	01685	(30000000- 40000000) Washer, Flat, 0.38b 0.88d .08, Ss	8
	9	1212527	(30000000- 40000000) Deck Wldt, Scrbr [Volga Wet]	1
	10	1034731	(30000000- 40000000) Screw, Hex, M6 X 1.00 X 16, Sems, Ss	4
	11	08713	(30000000- 40000000) Nut, Hex, Lock, M8 X 1.25, NI, Ss	6
	12	9014175	(30000000- 40000000) Kit, Eccentric Assy, [T300] (See Breakdowns)	1
	13	1014918	(30000000- 40000000) Wheel, 03.0d 0.88w 0.31b, W/ Bshg, Rbr	2
	14	1210221	(30000000- 40000000) Washer, Wave, .515b, .875d, .013, Ss	2
	15	222505	(30000000- 40000000) Screw, Hex, M8 X 1.25 X 45, Ss	2
	16	1212468	(30000000- 40000000) Manifold, Distribution, Water, Orb [Vw]	1
	17	1212807	(30000000- 40000000) Fitting, Plstc, Str, Qm08/Bm08	1
	18	607776	(30000000- 40000000) Clamp, Hose, Wir, .73 - .77, Silver	1
	19	9014189	(30000000- 40000000) Kit, Afrmkt, Pad Driver [T300]	1
	20	1218926	(30000000- 40000000) Screw, Flt, Soc, M8 X 1.25 X 14, Ss	4
	21	09739	(30000000- 40000000) Nut, Hex, Lock, M5 X 0.80, NI, Ss	5
	22	01683	(30000000- 40000000) Washer, Flat, 10, Ss	5
	23	140916	(30000000- 40000000) Clamp, Cable, Nyl, 0.62d, Nat	5
	24	1074344	(30000000- 40000000) Harness, Ele [Ring With .250m Tail]	1

▽ ASSEMBLY

▲ INCLUDED IN ASSEMBLY

RECOVERY TANK GROUP, T300e MODEL

355301



RECOVERY TANK GROUP, T300e MODEL

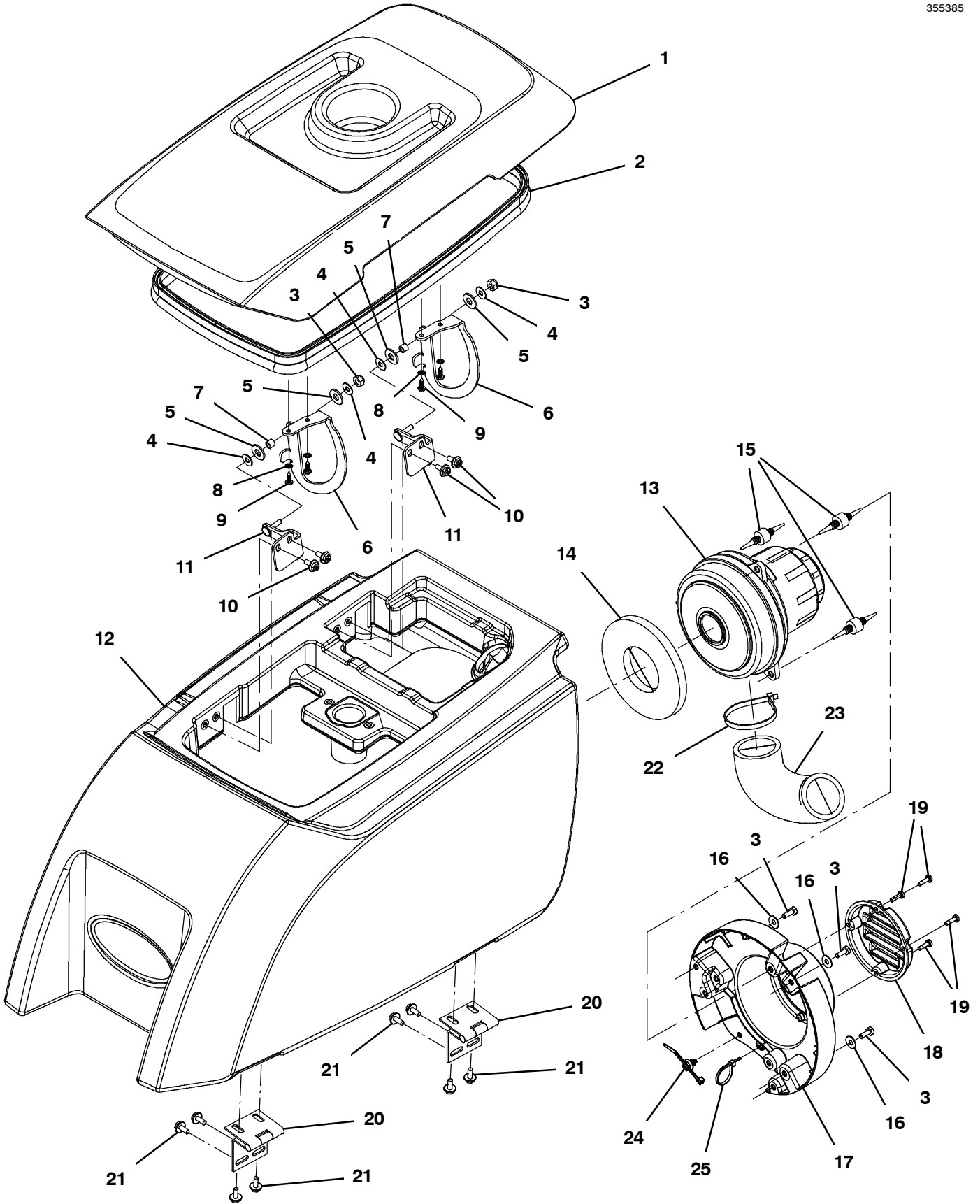
Ref.	Part No.	Serial Number	Description	Qty.	
1	9014154	(30000000- 40000000)	Kit, Cover, Recvy, Ci [Ce]	1	
2	1210472	(30000000- 40000000)	Seal, Afrmkt, Bulb, 0.50d .13grip, 05ft	1	
3	9014151	(30000000- 40000000)	Kit, Tank, Recvy, W/Labels [T300e]	1	
4	1018155	(30000000- 40000000)	Screw, Pan, Phl, M5 X 0.80 X 16, Tcut,Ss	2	
5	01684	(30000000- 40000000)	Washer, Flat, 0.27b 0.69d .05, Ss	4	
6	1212553	(30000000- 40000000)	Strap, Retaining, Cover, 125.0l	2	
▽	7	1210304	(30000000- 40000000)	Fan, Vacuum, 5.7d, 024vdc, 2 Stage	1
▲		372883	(30000000- 40000000)	Vr, Brush Kit, Motor, Ele (1 Pkg = 2 Pcs)	1
8	100038	(30000000- 40000000)	Gasket, .50, 02.63id 05.75od, Adh [Epdm]	1	
9	1062016	(30000000- 40000000)	Isolator, Vib, .75d	3	
10	1034731	(30000000- 40000000)	Screw, Hex, M6 X 1.00 X 16, Sems, Ss	3	
11	1207368	(30000000- 40000000)	Mount, Vacfan, 5.7/6.6	1	
12	1209466	(30000000- 40000000)	Hinge, 6mm Pin 2.5 73.5mmw 60.0mml, Bent	2	
13	1034731	(30000000- 40000000)	Screw, Hex, M6 X 1.00 X 16, Sems, Ss	8	
14	11329	(30000000- 40000000)	Screw, Hex, M6 X 1.00 X 16, NI, Ss	2	
15	1210807	(30000000- 40000000)	Wire, Tie [W/.25" Fir Tree Clip]	1	

▽ ASSEMBLY

▲ INCLUDED IN ASSEMBLY

RECOVERY TANK GROUP, T300 MODEL

355385



RECOVERY TANK GROUP, T300 MODEL

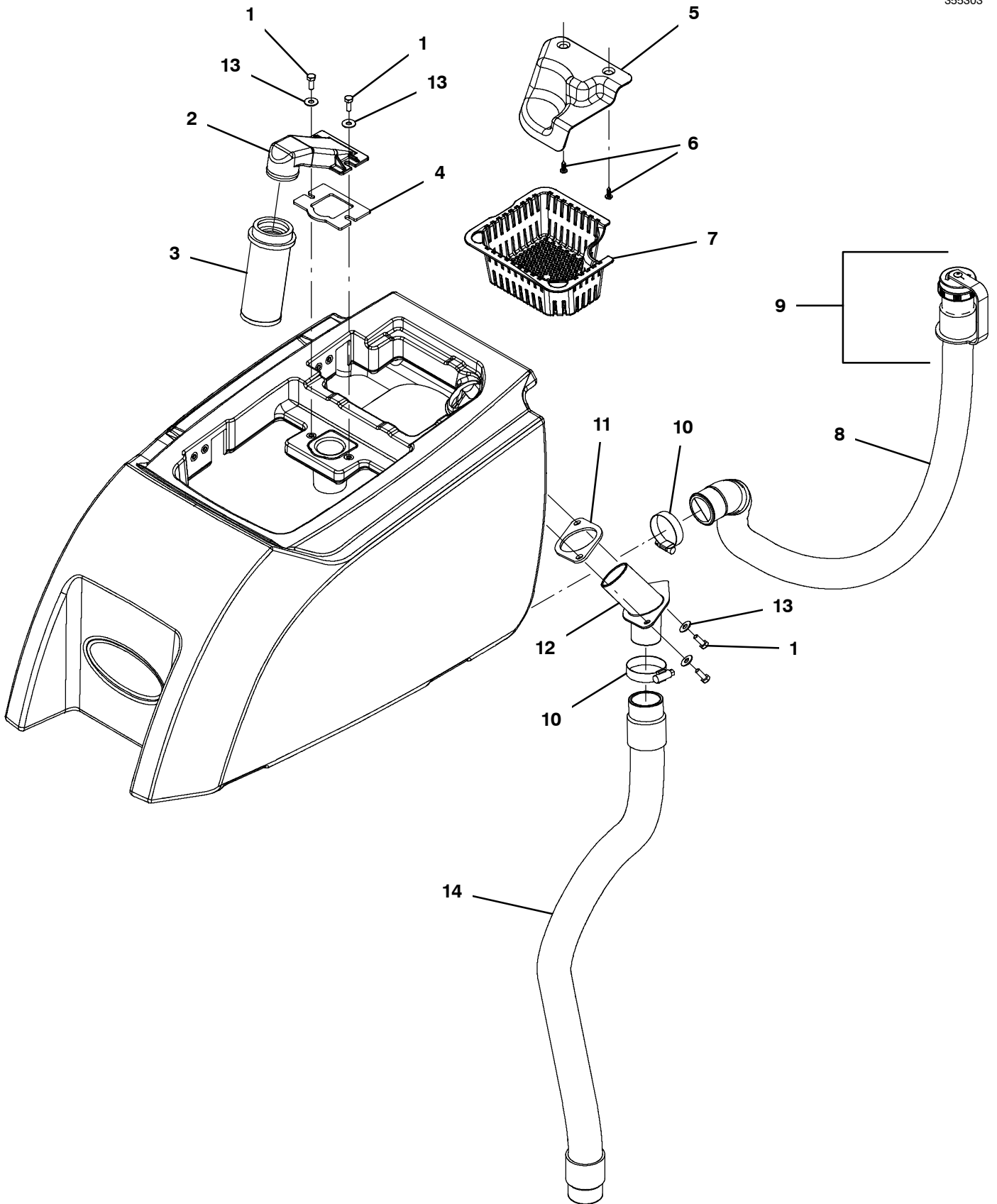
Ref.	Part No.	Serial Number	Description	Qty.	
1	9014154	(30000000- 40000000)	Kit, Cover, Recvy, Ci [Ce]	1	
2	1210472	(30000000- 40000000)	Seal, Afmkt, Bulb, 0.50d .13grip, 05ft	1	
3	08712	(30000000- 40000000)	Nut, Hex, Lock, M6 X 1.00, NI, Ss	2	
4	01684	(30000000- 40000000)	Washer, Flat, 0.27b 0.69d .05, Ss	4	
5	01685	(30000000- 40000000)	Washer, Flat, 0.38b 0.88d .08, Ss	4	
6	1219440	(30000000- 40000000)	Hinge, Goose Neck	2	
7	140154	(30000000- 40000000)	Sleeve, P/M, 0.25b 0.38d 0.3l, PI	2	
8	07514	(30000000- 40000000)	Washer, Lock, Int, 10, Ss	4	
9	1018155	(30000000- 40000000)	Screw, Pan, Phl, M5 X 0.80 X 16, Tcut,Ss	4	
10	1034731	(30000000- 40000000)	Screw, Hex, M6 X 1.00 X 16, Sems, Ss	4	
11	1219473	(30000000- 40000000)	Hinge, Mount, Wldt	2	
12	9014150	(30000000- 40000000)	Kit, Tank, Recvy, W/Labels [T300]	1	
▽	13	1202880	(30000000- 40000000)	Fan, Vacuum, 6.6d, 024vdc, 2 Stage	1
▲	1206774	(30000000- 40000000)	Vr, Brush Kit, Motor, Fan (1 Pkg = 2 Pcs)	1	
14	100038	(30000000- 40000000)	Gasket, .50, 02.63id 05.75od, Adh [Epdm]	1	
15	1062016	(30000000- 40000000)	Isolator, Vib, .75d	3	
16	01684	(30000000- 40000000)	Washer, Flat, 0.27b 0.69d .05, Ss	3	
17	1207368	(30000000- 40000000)	Mount, Vacfan, 5.7/6.6	1	
18	1209342	(30000000- 40000000)	Cover, Inlet, Vac, Vented (Sound Kit Option)	1	
19	1043573	(30000000- 40000000)	Screw, #10- 14 X 0.675, Spl[Shcs,Selftap] (Sound Kit Option)	4	
20	1209466	(30000000- 40000000)	Hinge, 6mm Pin 2.5 73.5mmw 60.0mml, Bent	2	
21	1034731	(30000000- 40000000)	Screw, Hex, M6 X 1.00 X 16, Sems, Ss	8	
22	130773	(30000000- 40000000)	Tie, Cable, Nyl, 11.0l, .14w, 3.0 Max. D	2	
23	1068577	(30000000- 40000000)	Muffler, Exhaust, Vacfan, 150mml [T2/T3]	1	
24	1210807	(30000000- 40000000)	Wire, Tie [W/.25" Fir Tree Clip]	1	
25	130773	(30000000- 40000000)	Tie, Cable, Nyl, 11.0l, .14w, 3.0 Max. D	1	

▽ ASSEMBLY

▲ INCLUDED IN ASSEMBLY

RECOVERY TANK FILTER AND HOSE GROUP, SCREW CAP

355303



RECOVERY TANK FILTER AND HOSE GROUP, SCREW CAP

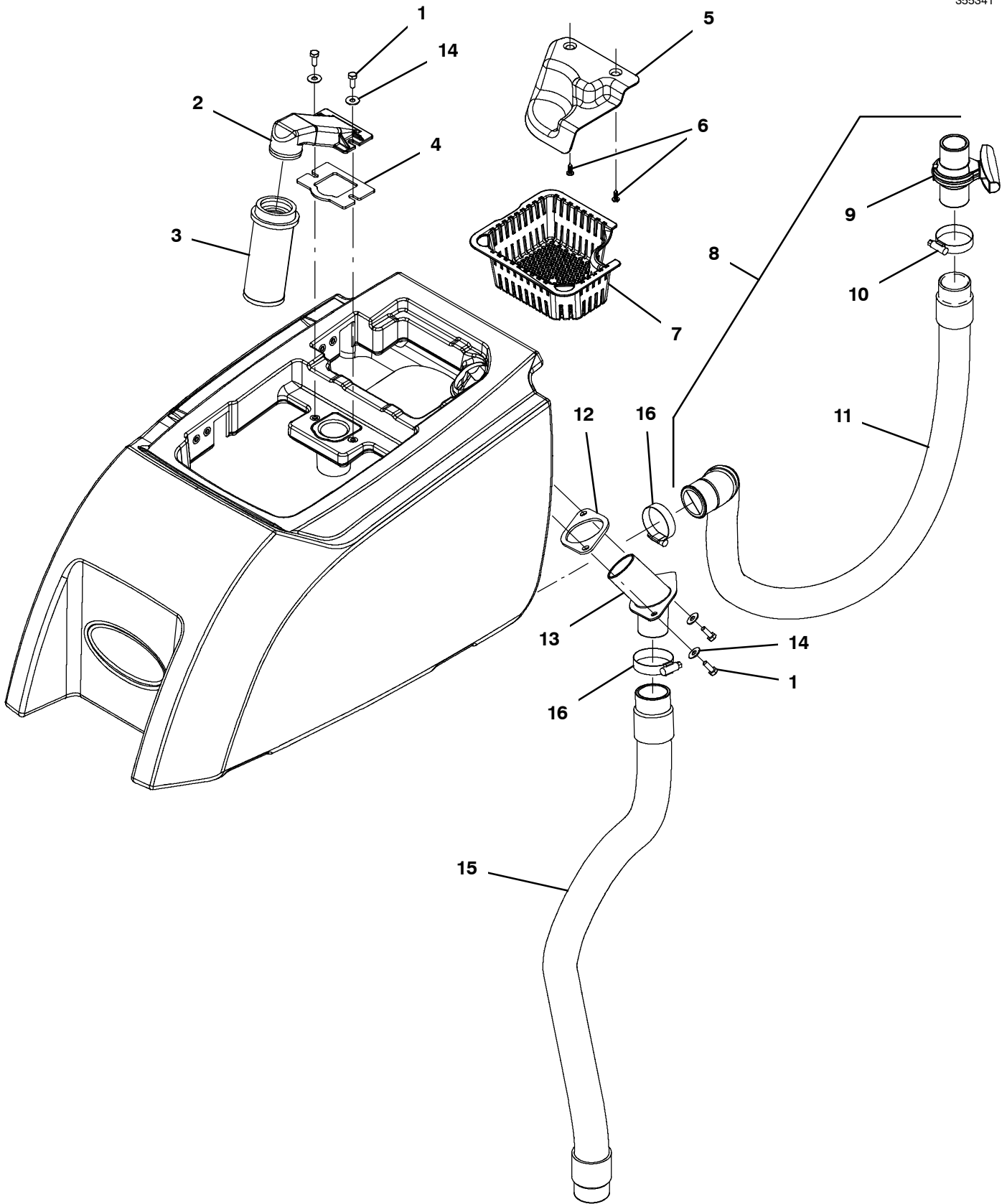
Ref.	Part No.	Serial Number	Description	Qty.	
1	11329	(30000000- 40000000)	Screw, Hex, M6 X 1.00 X 16, NI, Ss	4	
2	1011777	(30000000- 40000000)	Mount, Float, Mold	1	
3	630052	(30000000- 40000000)	Float, Shut- Off, (2)Ball, 1.75d	1	
4	1013628	(30000000- 40000000)	Gasket, Mtg, Float, .125th, Neo, Adh	1	
5	1210214	(30000000- 40000000)	Deflector, Water, Recvy	1	
6	1018155	(30000000- 40000000)	Screw, Pan, Phl, M5 X 0.80 X 16, Tcut,Ss	2	
7	1207357	(30000000- 40000000)	Tray, Debris, Tank, Recvy [T300]	1	
▽	8	1213008	(30000000- 40000000)	Hose Assy, Drain, 1.5d 025l 1.5/Cap [Pu]	1
▲	9	1219134	(30000000- 40000000)	Cap, Drain Assy [Gray]	1
▽	8	1213010	(30000000- 40000000)	Hose Assy, Drain, 1.5d 017l 1.5/Cap[Pvc]	1
▲	9	1218955	(30000000- 40000000)	Cap, Drain Assy [Black]	1
10	11531	(30000000- 40000000)	Clamp, Hose, Wormdrive, 1.06- 2.00d, .56w	2	
11	1037106	(30000000- 40000000)	Gasket, Adapter, Hose .13, Neo	1	
12	1207196	(30000000- 40000000)	Tube, Hose, Adapter, 1.5d [T300]	1	
13	01684	(30000000- 40000000)	Washer, Flat, 0.27b 0.69d .05, Ss	4	
14	1204663	(30000000- 40000000)	Hose Assy, W/2cuff,1.5d 026l 1.5/1.5[Pu]	1	
14	1211220	(30000000- 40000000)	Hose Assy,W/2cuff,1.5d 022l 1.5/1.5[Pvc]	1	

▽ ASSEMBLY

▲ INCLUDED IN ASSEMBLY

RECOVERY TANK FILTER AND HOSE GROUP, CONTROL VALVE

355341



RECOVERY TANK FILTER AND HOSE GROUP, CONTROL VALVE

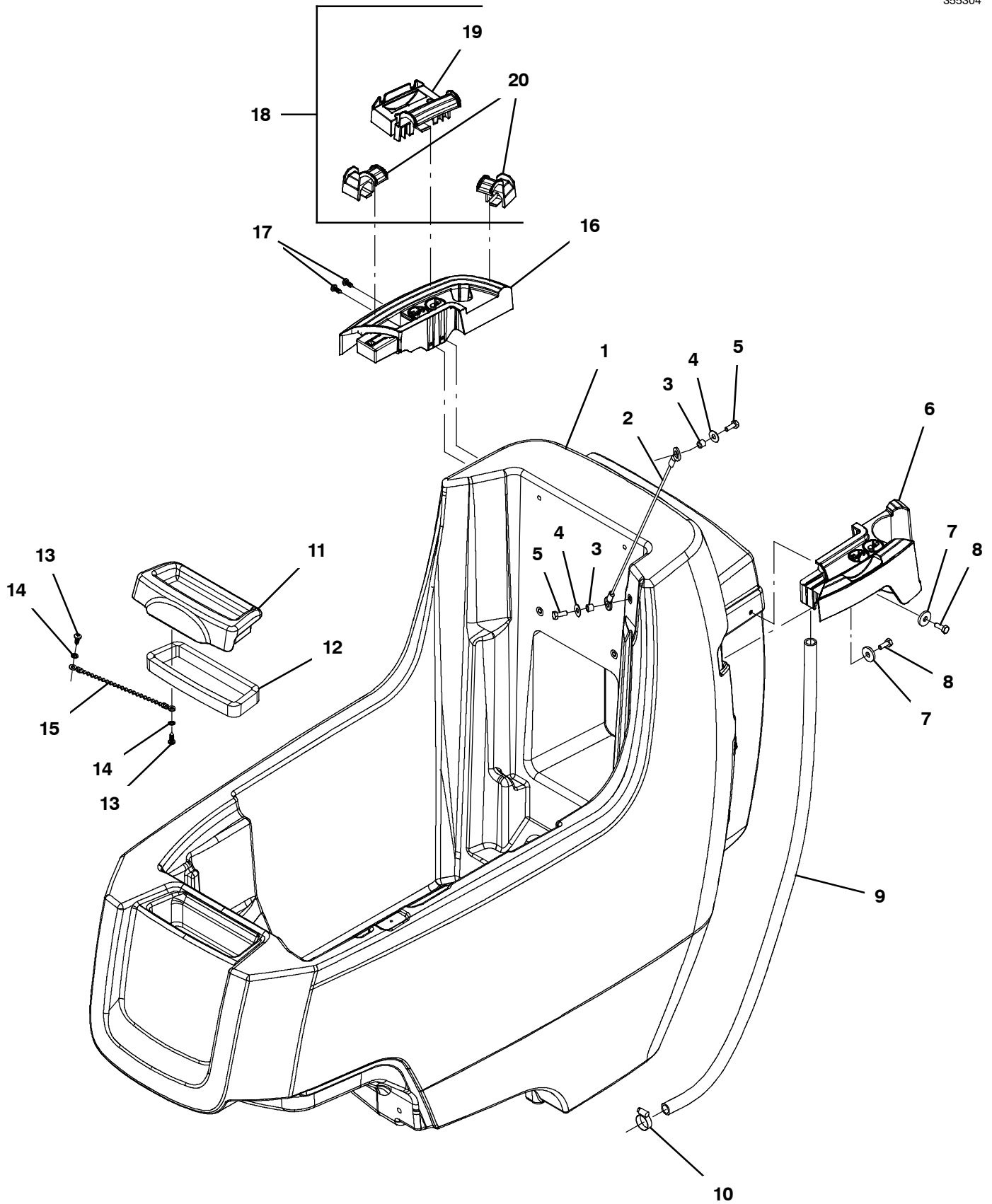
Ref.	Part No.	Serial Number	Description	Qty.	
1	11329	(30000000- 40000000)	Screw, Hex, M6 X 1.00 X 16, NI, Ss	4	
2	1011777	(30000000- 40000000)	Mount, Float, Mold	1	
3	630052	(30000000- 40000000)	Float, Shut- Off, (2)Ball, 1.75d	1	
4	1013628	(30000000- 40000000)	Gasket, Mtg, Float, .125th, Neo, Adh	1	
5	1210214	(30000000- 40000000)	Deflector, Water, Recvy	1	
6	1018155	(30000000- 40000000)	Screw, Pan, Phl, M5 X 0.80 X 16, Tcut,Ss	2	
7	1207357	(30000000- 40000000)	Tray, Debris, Tank, Recvy [T300]	1	
▽	8	9014171	(30000000- 40000000)	Hose Assy, With Valve	1
▲	9	1051986	(30000000- 40000000)	Valve, Ball, 2way, 1.0id Pvc, W/Handle	1
▲	10	11531	(30000000- 40000000)	Clamp, Hose, Wormdrive, 1.06- 2.00d, .56w	1
▲	11	1204663	(30000000- 40000000)	Hose Assy, W/2cuff,1.5d 026l 1.5/1.5[Pu]	1
	12	1037106	(30000000- 40000000)	Gasket, Adapter, Hose .13, Neo	1
	13	1207196	(30000000- 40000000)	Tube, Hose, Adapter, 1.5d [T300]	1
	14	01684	(30000000- 40000000)	Washer, Flat, 0.27b 0.69d .05, Ss	4
	15	1204663	(30000000- 40000000)	Hose Assy, W/2cuff,1.5d 026l 1.5/1.5[Pu]	1
	16	11531	(30000000- 40000000)	Clamp, Hose, Wormdrive, 1.06- 2.00d, .56w	2

▽ ASSEMBLY

▲ INCLUDED IN ASSEMBLY

SOLUTION TANK GROUP

355304



SOLUTION TANK GROUP

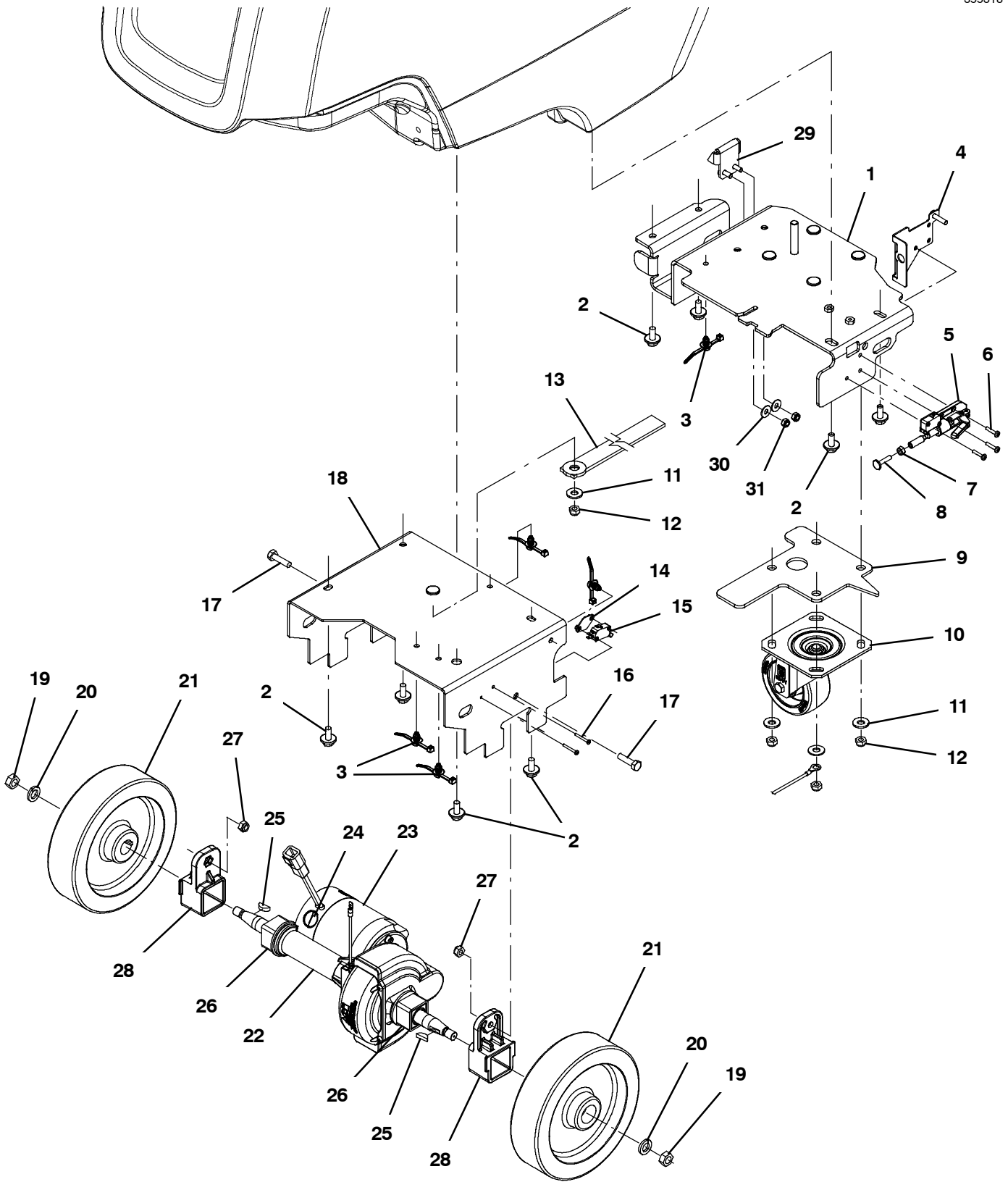
Ref.	Part No.	Serial Number	Description	Qty.	
1	9014156	(30000000- 40000000)	Kit, Tank, Soltn, [T300/T300e]	1	
2	391368	(30000000- 40000000)	Cable, Glv .09d 016.5l .38eye /.38eye	1	
3	140154	(30000000- 40000000)	Sleeve, P/M, 0.25b 0.38d 0.3l, Pl	2	
4	01684	(30000000- 40000000)	Washer, Flat, 0.27b 0.69d .05, Ss	2	
5	11329	(30000000- 40000000)	Screw, Hex, M6 X 1.00 X 16, NI, Ss	2	
6	1214264	(30000000- 40000000)	Tray, Accssry, Lh, 16mm Screw	1	
7	140053	(30000000- 40000000)	Washer, Flat, 0.28b 0.88d .12, Ss	2	
8	11329	(30000000- 40000000)	Screw, Hex, M6 X 1.00 X 16, NI, Ss	2	
9	20778	(30000000- 40000000)	Hose, Pvc, Clr, 0.50id 0.69od 030.0l	1	
10	54333	(30000000- 40000000)	Clamp, Hose, Wormdrive, 0.31- 0.88d, .31w	1	
11	9014158	(30000000- 40000000)	Kit, Cover, Fill, Front, W/ Ech20 [Na/Ce	1	
12	1046428	(30000000- 40000000)	Seal, Afrmkt, Rbr, Clsd, Adh, 02ft	1	
13	1018155	(30000000- 40000000)	Screw, Pan, Phl, M5 X 0.80 X 16, Tcut,Ss	2	
14	07514	(30000000- 40000000)	Washer, Lock, Int, 10, Ss	2	
15	621443	(30000000- 40000000)	Chain, Ball, 10, 0157mml, Ss	1	
16	1214249	(30000000- 40000000)	Tray, Accssry, Rh, 16mm Screw	1	
17	1018155	(30000000- 40000000)	Screw, Pan, Phl, M5 X 0.80 X 16, Tcut,Ss	2	
▽	18	9014251	(30000000- 40000000)	Clip Kit, Rail, Di [T300/T300e/Ss300]	1
▲	19	1214292	(30000000- 40000000)	Bracket, Hanger, Rail, Lrg	1
▲	20	1214291	(30000000- 40000000)	Bracket, Hanger, Rail, Small	2

▽ ASSEMBLY

▲ INCLUDED IN ASSEMBLY

FRAME GROUP, PROPEL MODEL

355318



FRAME GROUP, PROPEL MODEL

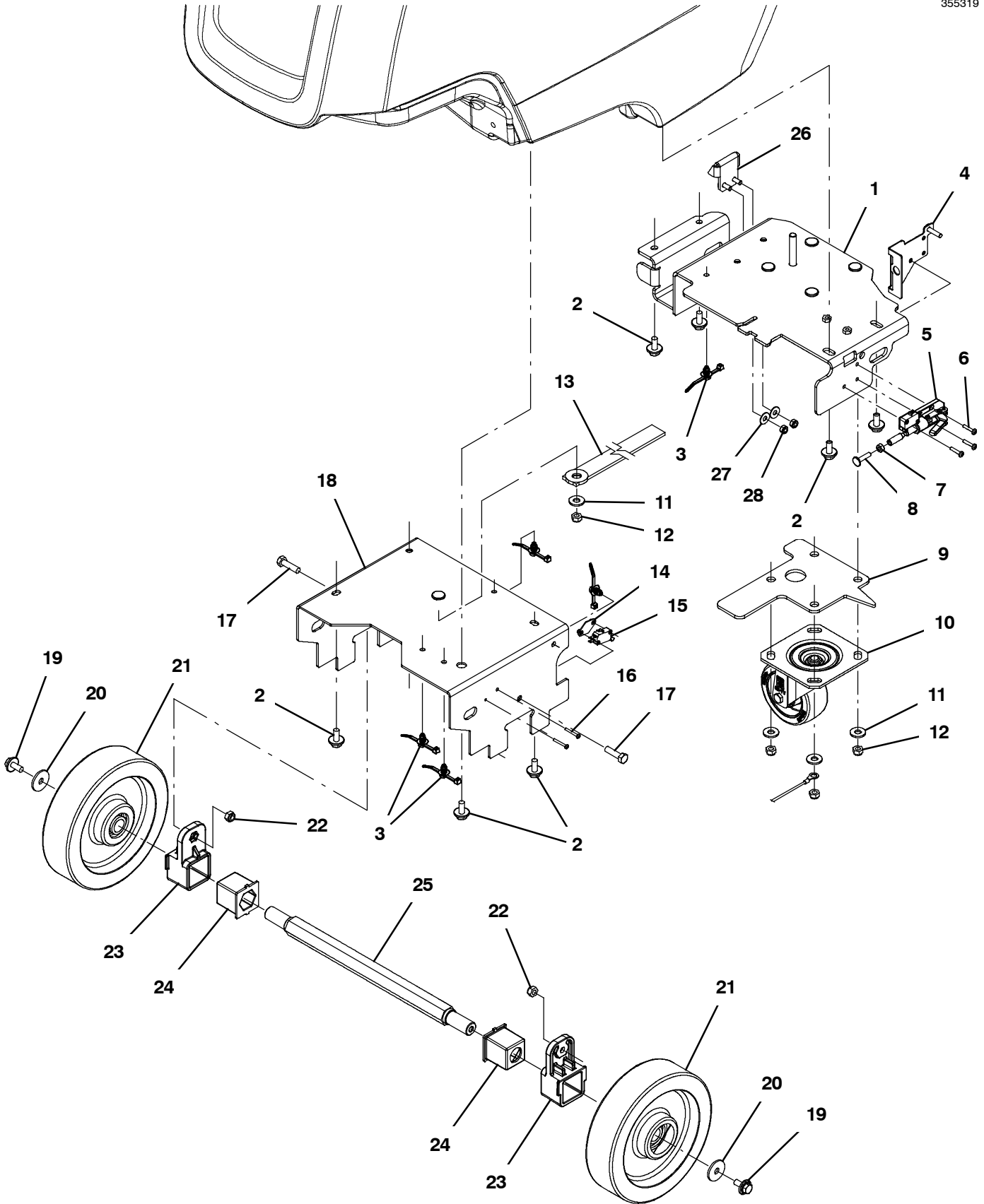
Ref.	Part No.	Serial Number	Description	Qty.	
1	1208498	(30000000- 40000000)	Frame Wldt, Rear	1	
2	1020341	(30000000- 40000000)	Screw, Hex, M8 X 1.25 X 20, Ss, Sems	8	
3	1210807	(30000000- 40000000)	Wire, Tie [W/.25" Fir Tree Clip]	5	
4	1211230	(30000000- 40000000)	Plate Wldt, Brake	1	
5	1209983	(30000000- 40000000)	Clamp, Brake, Parking	1	
6	12323	(30000000- 40000000)	Screw, Pan, Phl, M4 X 0.70 X 20, Ss	3	
7	07785	(30000000- 40000000)	Nut, Hex, Std, M6 X 1.00, Ss	1	
8	1017416	(30000000- 40000000)	Screw, Weld, M6 X 1.00 X 25, Thru, Ss	1	
9	1215093	(30000000- 40000000)	Spacer, Caster	1	
10	1212422	(30000000- 40000000)	Caster, Swivel [Wicke 224051]	1	
11	01685	(30000000- 40000000)	Washer, Flat, 0.38b 0.88d .08, Ss	5	
12	08713	(30000000- 40000000)	Nut, Hex, Lock, M8 X 1.25, NI, Ss	5	
13	71579	(30000000- 40000000)	Strap, Static, W/Grommet, .19 1.1w 25.0l	1	
14	1013705	(30000000- 40000000)	Plate, Thread, Switch, M3 Nut, 96hr PI	1	
15	1215716	(30000000- 40000000)	Switch, 0.1a, Spdt[Micro, Gold Contacts]	1	
16	33933	(30000000- 40000000)	Screw, Pan, Phl, M3 X 0.50 X 25, Ss	2	
17	09011	(30000000- 40000000)	Screw, Hex, M8 X 1.25 X 30, Ss	2	
18	1211968	(30000000- 40000000)	Frame Wldt, Front	1	
19	09741	(30000000- 40000000)	Nut, Hex, Lock, M12 X 1.75, NI, Ss	2	
20	140058	(30000000- 40000000)	Washer, Flat, 0.54b 0.88d .06, Ss [Wand]	2	
21	1214595	(30000000- 40000000)	Wheel, Scrbr, 8.00d, W/ Taper [Hi Trac]	2	
▽	22	1209779	(30000000- 40000000)	Transaxle, Ele, 24vdc, 112rpm [Asi]	1
▲		1017782	(30000000- 40000000)	Coupling Kit, Transaxle, Replmt [11057]	1
▲▽	23	1216386	(30000000- 40000000)	Motor, Transaxle, 24vdc, Replmt [UI, Ce]	1
▲▲	24	1212351	(30000000- 40000000)	Brush Kit, Carbon, Transaxle, UI (1 Kit = 4 Pcs)	1
▲	25	1021167	(30000000- 40000000)	Key, Woodruff, 5mm	2
▲	26	612880	(30000000- 40000000)	Joint, Transaxle, Replmt	2
	27	08713	(30000000- 40000000)	Nut, Hex, Lock, M8 X 1.25, NI, Ss	2
	28	1028292	(30000000- 40000000)	Adapter, Mtg, Axle, Alm [T3]	2
	29	1013946	(30000000- 40000000)	Bracket, Locking, Pedal, Foot	1
	30	01684	(30000000- 40000000)	Washer, Flat, 0.27b 0.69d .05, Ss	2
	31	08712	(30000000- 40000000)	Nut, Hex, Lock, M6 X 1.00, NI, Ss	2
	N/S	1073678	(30000000- 40000000)	Harness, Main, Ele [Vw, Premium, Propel]	1
	N/S	1073592	(30000000- 40000000)	Harness, Ele [Vw, Op.Sta, Propel]	1

▽ ASSEMBLY

▲ INCLUDED IN ASSEMBLY

FRAME GROUP, PUSH MODEL

355319

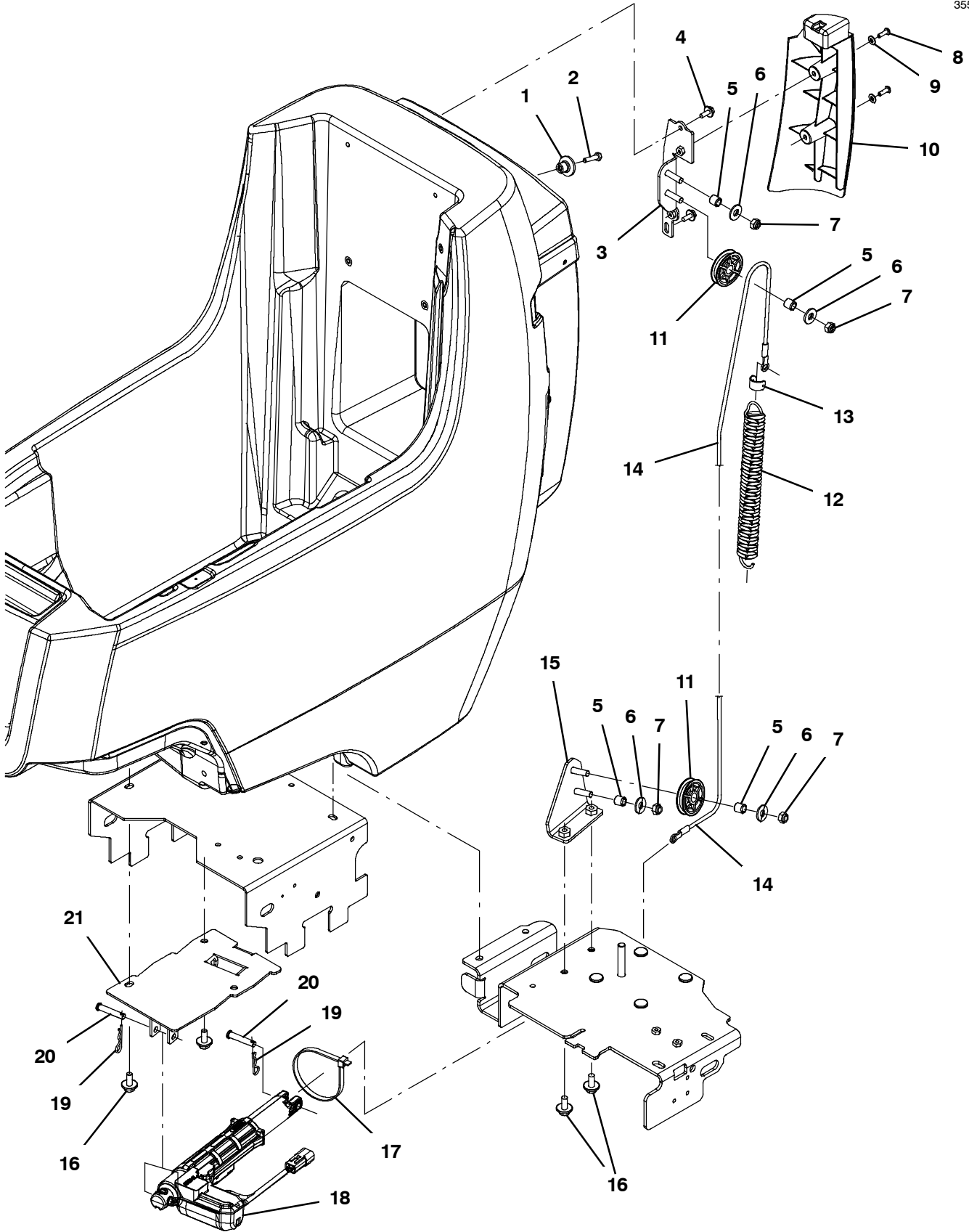


FRAME GROUP, PUSH MODEL

Ref.	Part No.	Serial Number	Description	Qty.
1	1208498	(30000000- 40000000)	Frame Wldt, Rear	1
2	1020341	(30000000- 40000000)	Screw, Hex, M8 X 1.25 X 20, Ss, Sems	8
3	1210807	(30000000- 40000000)	Wire, Tie [W/.25" Fir Tree Clip]	5
4	1211230	(30000000- 40000000)	Plate Wldt, Brake (Brake Option)	1
5	1209983	(30000000- 40000000)	Clamp, Brake, Parking (Brake Option)	1
6	12323	(30000000- 40000000)	Screw, Pan, Phl, M4 X 0.70 X 20, Ss (Brake Option)	3
7	07785	(30000000- 40000000)	Nut, Hex, Std, M6 X 1.00, Ss (Brake Option)	1
8	1017416	(30000000- 40000000)	Screw, Weld, M6 X 1.00 X 25, Thru, Ss (Brake Option)	1
9	1215093	(30000000- 40000000)	Spacer, Caster	1
10	1212422	(30000000- 40000000)	Caster, Swivel [Wicke 224051]	1
11	01685	(30000000- 40000000)	Washer, Flat, 0.38b 0.88d .08, Ss	5
12	08713	(30000000- 40000000)	Nut, Hex, Lock, M8 X 1.25, NI, Ss	5
13	71579	(30000000- 40000000)	Strap, Static, W/Grommet, .19 1.1w 25.0l	1
14	1013705	(30000000- 40000000)	Plate, Thread, Switch, M3 Nut, 96hr PI	1
15	1215716	(30000000- 40000000)	Switch, 0.1a, Spdt[Micro, Gold Contacts]	1
16	33933	(30000000- 40000000)	Screw, Pan, Phl, M3 X 0.50 X 25, Ss	2
17	09011	(30000000- 40000000)	Screw, Hex, M8 X 1.25 X 30, Ss	2
18	1211968	(30000000- 40000000)	Frame Wldt, Front	1
19	1020341	(30000000- 40000000)	Screw, Hex, M8 X 1.25 X 20, Ss, Sems	2
20	1016331	(30000000- 40000000)	Washer, Flat, 0.34b 1.25d .11, Ss	2
21	1214586	(30000000- 40000000)	Wheel, Scrbr, 8.00d, W/ Brg [Hi Trac]	2
22	08713	(30000000- 40000000)	Nut, Hex, Lock, M8 X 1.25, NI, Ss	2
23	1028292	(30000000- 40000000)	Adapter, Mtg, Axle, Alm [T3]	2
24	1028381	(30000000- 40000000)	Grommet, Axle [Tpu, T3 Push]	2
25	1028382	(30000000- 40000000)	Axle, Wheel, Hex, Clr Zn [T3 Push]	1
26	1013946	(30000000- 40000000)	Bracket, Locking, Pedal, Foot	1
27	01684	(30000000- 40000000)	Washer, Flat, 0.27b 0.69d .05, Ss	2
28	08712	(30000000- 40000000)	Nut, Hex, Lock, M6 X 1.00, NI, Ss	2
N/S	1073677	(30000000- 40000000)	Harness, Main, Ele [Vw, Base, Push]	1
N/S	1073593	(30000000- 40000000)	Harness, Ele [Vw, Op.Stat, Push]	1

ACTUATED DOWN PRESSURE GROUP

355282

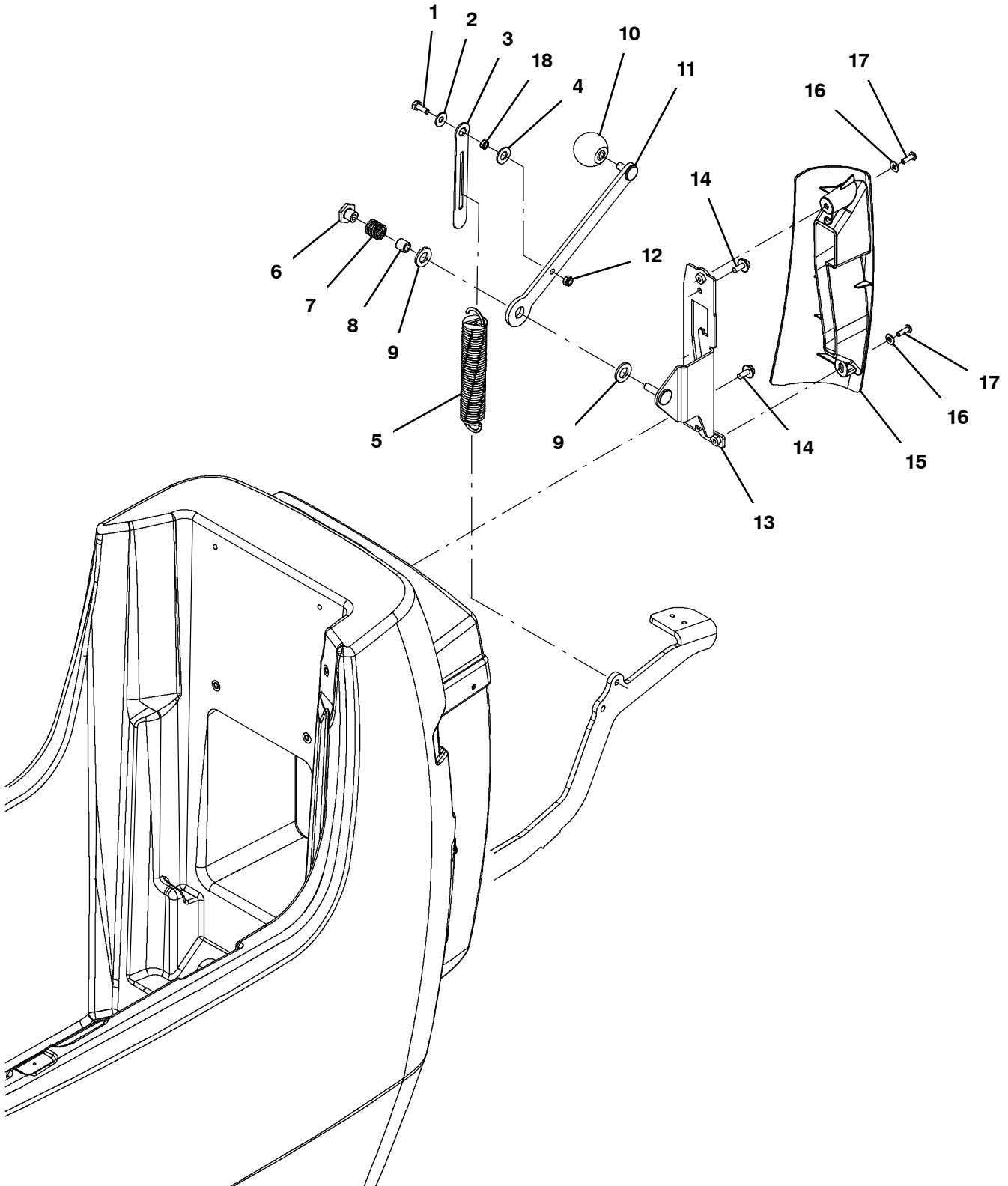


ACTUATED DOWN PRESSURE GROUP

Ref.	Part No.	Serial Number	Description	Qty.
1	1214283	(30000000- 40000000)	Guide, Cable	1
2	1016005	(30000000- 40000000)	Screw, Hex, M6 X 1.00 X 25, NI, FI, Ss	1
3	1213998	(30000000- 40000000)	Bracket Wldt, Mtg, Pulley, Down Press	1
4	1034731	(30000000- 40000000)	Screw, Hex, M6 X 1.00 X 16, Sems, Ss	2
5	222460	(30000000- 40000000)	Sleeve, P/M, 0.32b 0.50d 0.5l [430ss]	4
6	01685	(30000000- 40000000)	Washer, Flat, 0.38b 0.88d .08, Ss	4
7	08713	(30000000- 40000000)	Nut, Hex, Lock, M8 X 1.25, NI, Ss	4
8	1205799	(30000000- 40000000)	Screw, Btn, M5 X 0.8 X 16, 8.8, NI, Torx	2
9	01683	(30000000- 40000000)	Washer, Flat, 10, Ss	2
10	1212336	(30000000- 40000000)	Cover, Pulley Assy, Down- Press	1
11	369781	(30000000- 40000000)	Pulley, Cable, 1.5d Nyl	2
12	1216611	(30000000- 40000000)	Spring, Extn, 1.14od, 0.13wir, 6.5l (Disk & Orbital Models)	1
12	1216677	(30000000- 40000000)	Spring, Extn, 1.08od, 0.09wir, 6.5l (Cylindrical Model)	1
13	1218891	(30000000- 40000000)	Retainer, Strip, Rubber	1
14	1214005	(30000000- 40000000)	Cable, Down Press	1
15	1213986	(30000000- 40000000)	Bracket Wldt, Mtg, Pulley, Down Press	1
16	1020341	(30000000- 40000000)	Screw, Hex, M8 X 1.25 X 20, Ss, Sems	4
17	130773	(30000000- 40000000)	Tie, Cable, Nyl, 11.0l, .14w, 3.0 Max. D	1
18	1213982	(30000000- 40000000)	Actuator, 24vdc, 76.2 Strk, 500n	1
19	44906	(30000000- 40000000)	Pin, Cotter, Hair, 0.38d .093 Wir	2
20	397249	(30000000- 40000000)	Pin, Clevis, 0.31d X 1.62l	2
21	1214971	(30000000- 40000000)	Actuator Wldt, Mtg	1

MANUAL DUAL DOWN PRESSURE GROUP

355283

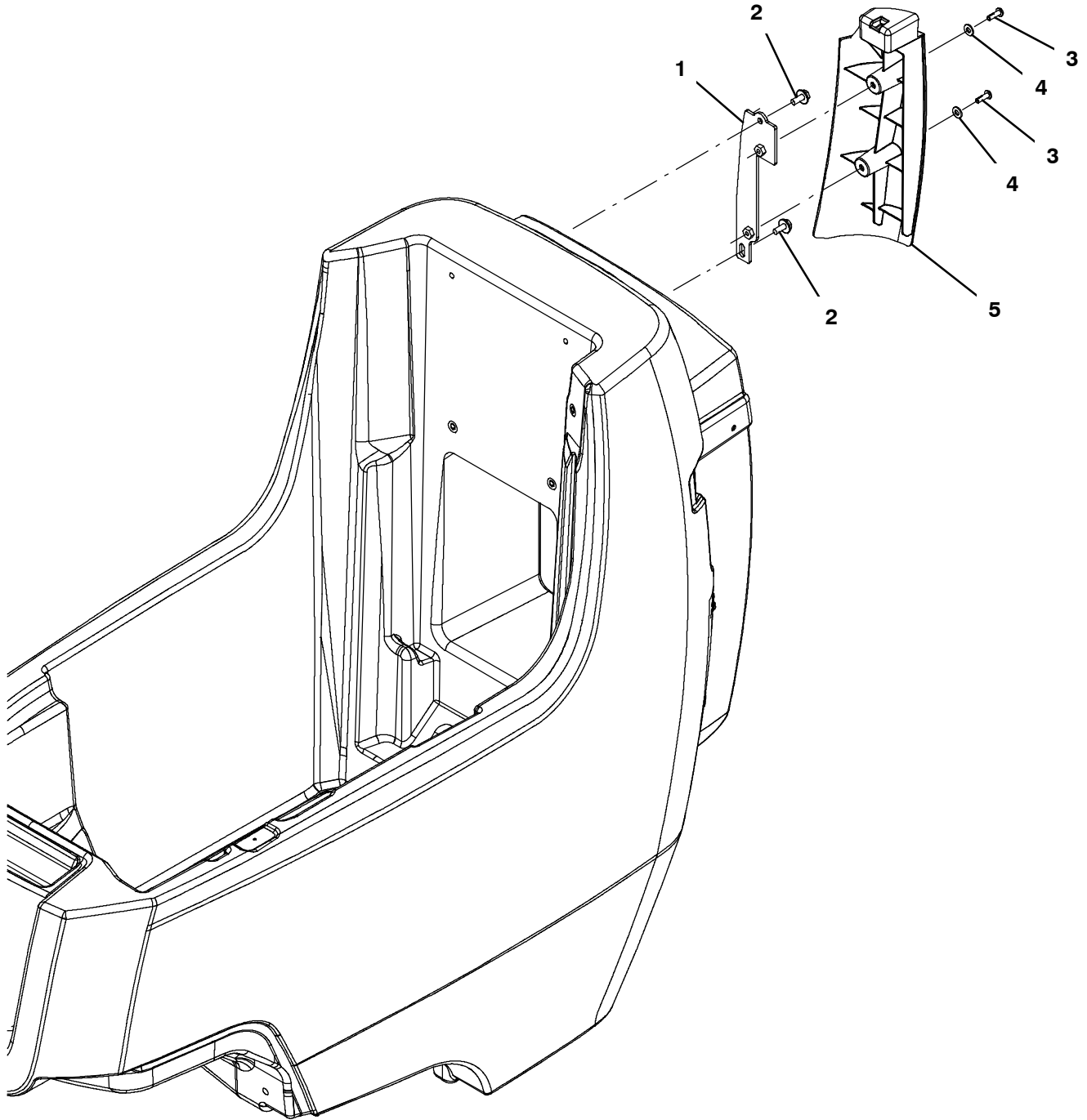


MANUAL DUAL DOWN PRESSURE GROUP

Ref.	Part No.	Serial Number	Description	Qty.
1	11329	(30000000- 40000000)	Screw, Hex, M6 X 1.00 X 16, NI, Ss	1
2	01684	(30000000- 40000000)	Washer, Flat, 0.27b 0.69d .05, Ss	1
3	1213745	(30000000- 40000000)	Plate, Link	1
4	20536	(30000000- 40000000)	Washer, Flat, 0.45b 1.19d .06, Nyl	1
5	1216611	(30000000- 40000000)	Spring, Extn, 1.14od, 0.13wir, 6.5l (Disk & Orbital Models)	1
5	1216677	(30000000- 40000000)	Spring, Extn, 1.08od, 0.09wir, 6.5l (Cylindrical Model)	1
6	1018181	(30000000- 40000000)	Nut, T, M8 X 1.25 X 0.50od X 0.4l	1
7	1018756	(30000000- 40000000)	Spring, Cmpr, 0.70od .08wir 00.7l, Pl,Mw	1
8	222460	(30000000- 40000000)	Sleeve, P/M, 0.32b 0.50d 0.5l [430ss]	1
9	1013936	(30000000- 40000000)	Washer, Flat, 0.51b 0.94d .10, Nyl	2
10	1017156	(30000000- 40000000)	Knob, Ball, M8 Insert, 40mmd, Plstc	1
11	1210591	(30000000- 40000000)	Lever Wldt, Down Pressure, Mnl	1
12	08712	(30000000- 40000000)	Nut, Hex, Lock, M6 X 1.00, NI, Ss	1
13	1210597	(30000000- 40000000)	Bracket Wldt, Down Press, Mnl	1
14	1034731	(30000000- 40000000)	Screw, Hex, M6 X 1.00 X 16, Sems, Ss	2
15	1209371	(30000000- 40000000)	Cover, Lever Assy, Down- Press	1
16	01683	(30000000- 40000000)	Washer, Flat, 10, Ss	2
17	1205799	(30000000- 40000000)	Screw, Btn, M5 X 0.8 X 16, 8.8, NI, Torx	2
18	80491	(30000000- 40000000)	Sleeve, P/M, 0.25b 0.38d 0.2l [430ss]	1

SINGLE DOWN PRESSURE GROUP

355284

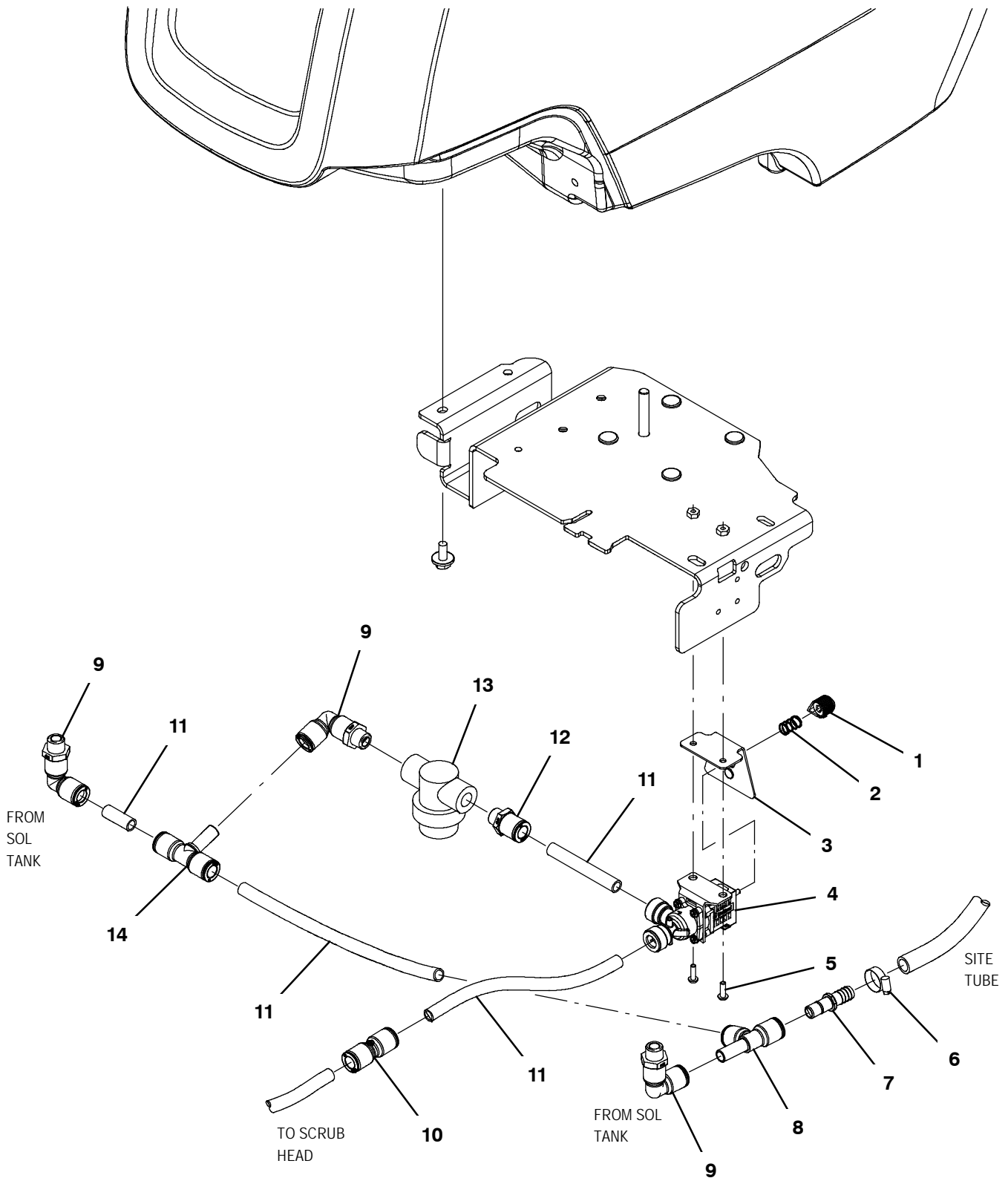


SINGLE DOWN PRESSURE GROUP

Ref.	Part No.	Serial Number	Description	Qty.
1	1214330	(30000000- 40000000)	Bracket Wldt, Mtg, Cover	1
2	1034731	(30000000- 40000000)	Screw, Hex, M6 X 1.00 X 16, Sems, Ss	2
3	1205799	(30000000- 40000000)	Screw, Btn, M5 X 0.8 X 16, 8.8, NI, Torx	2
4	01683	(30000000- 40000000)	Washer, Flat, 10, Ss	2
5	1212336	(30000000- 40000000)	Cover, Pulley Assy, Down- Press	1

SOLUTION GROUP, T300e MODEL

355307



SOLUTION GROUP, T300e MODEL

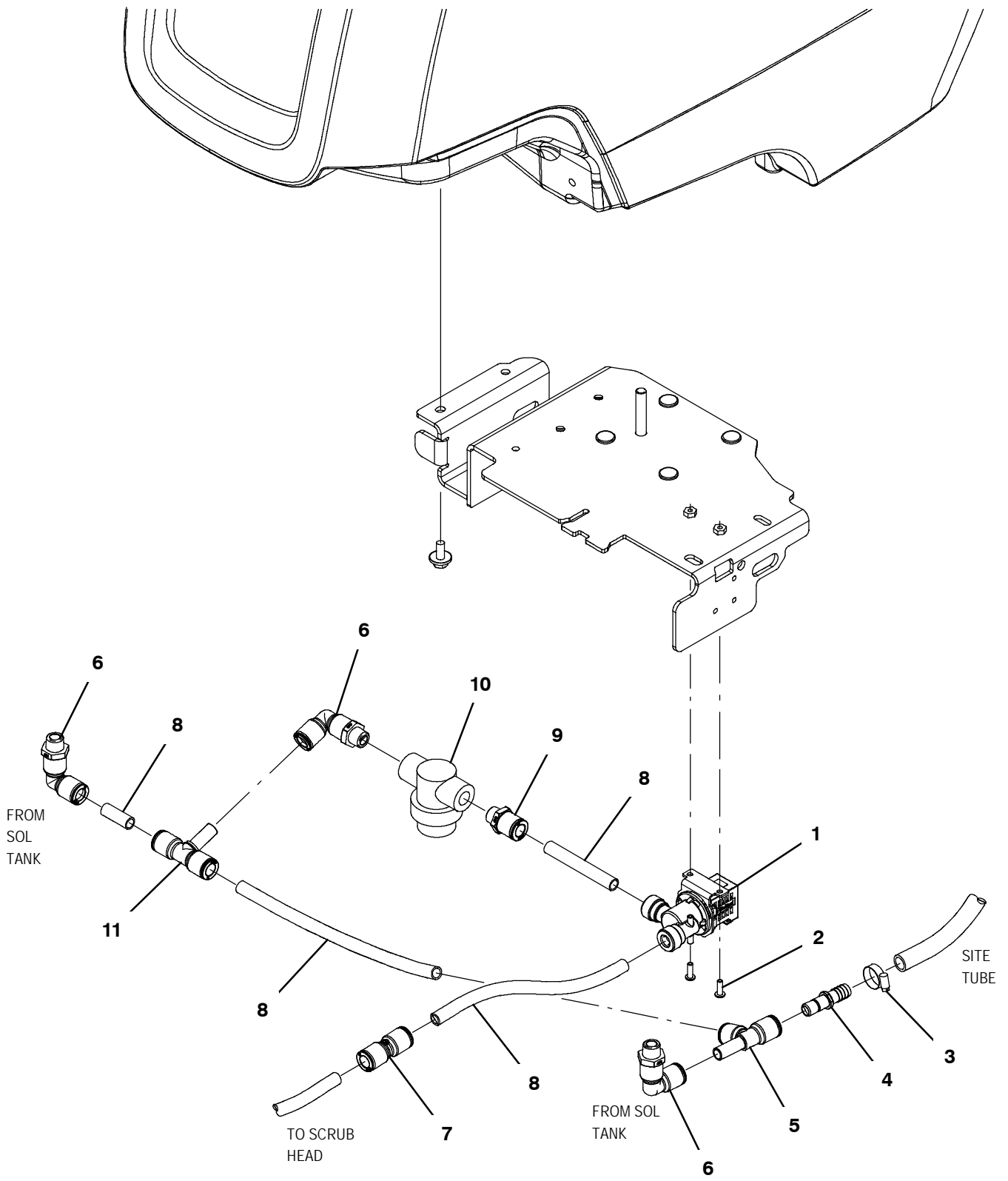
Ref.	Part No.	Serial Number	Description	Qty.	
1	1013442	(30000000- 40000000)	Knob, Valve, 0.70d 0.61l, 0.21b	1	
2	1017091	(30000000- 40000000)	Spring, Cmpr, 0.50od .04wir 00.8l	1	
3	1210041	(30000000- 40000000)	Bracket Wldt, Mtg, Valve, Soltn	1	
4	1211423	(30000000- 40000000)	Valve, Water, Solenoid, 24vdc Qf08/Qf08	1	
5	1205799	(30000000- 40000000)	Screw, Btn, M5 X 0.8 X 16, 8.8, NI, Torx	2	
6	54333	(30000000- 40000000)	Clamp, Hose, Wormdrive, 0.31- 0.88d, .31w	1	
7	1212807	(30000000- 40000000)	Fitting, Plstc, Str, Qm08/Bm08	1	
8	1212806	(30000000- 40000000)	Fitting, Plstc, Tee, Qf08/Qf08/Qm08	1	
9	1212987	(30000000- 40000000)	Fitting, Plstc, E90, Qf08/Pm06, Swivel	3	
10	1212859	(30000000- 40000000)	Fitting, Plstc, Str, Qf08/Qf08	1	
11	9014145	(30000000- 40000000)	Hose, Afrmkt, Pe, .375id .50od, 05ft	1	
12	1212813	(30000000- 40000000)	Fitting, Plstc, Str, Qf08/Pm06	1	
▽	13	1211537	(30000000- 40000000)	Filter, In- Line, Pf06/Pf06 080m 2.6l Epd	1
▲		1218885	(30000000- 40000000)	Gasket [Epdm, F/1211537]	1
▲		1218883	(30000000- 40000000)	Screen, Fltr, 80 Mesh, Ss [W/ Cage]	1
▲		1211537	(30000000- 40000000)	Filter, In- Line, Pf06/Pf06 080m 2.6l Epd	1
14	1212810	(30000000- 40000000)	Fitting, Plstc, Tee, Qm08/Qf08/Qf08	1	

▽ ASSEMBLY

▲ INCLUDED IN ASSEMBLY

SOLUTION GROUP, T300 MODEL

355308



SOLUTION GROUP, T300 MODEL

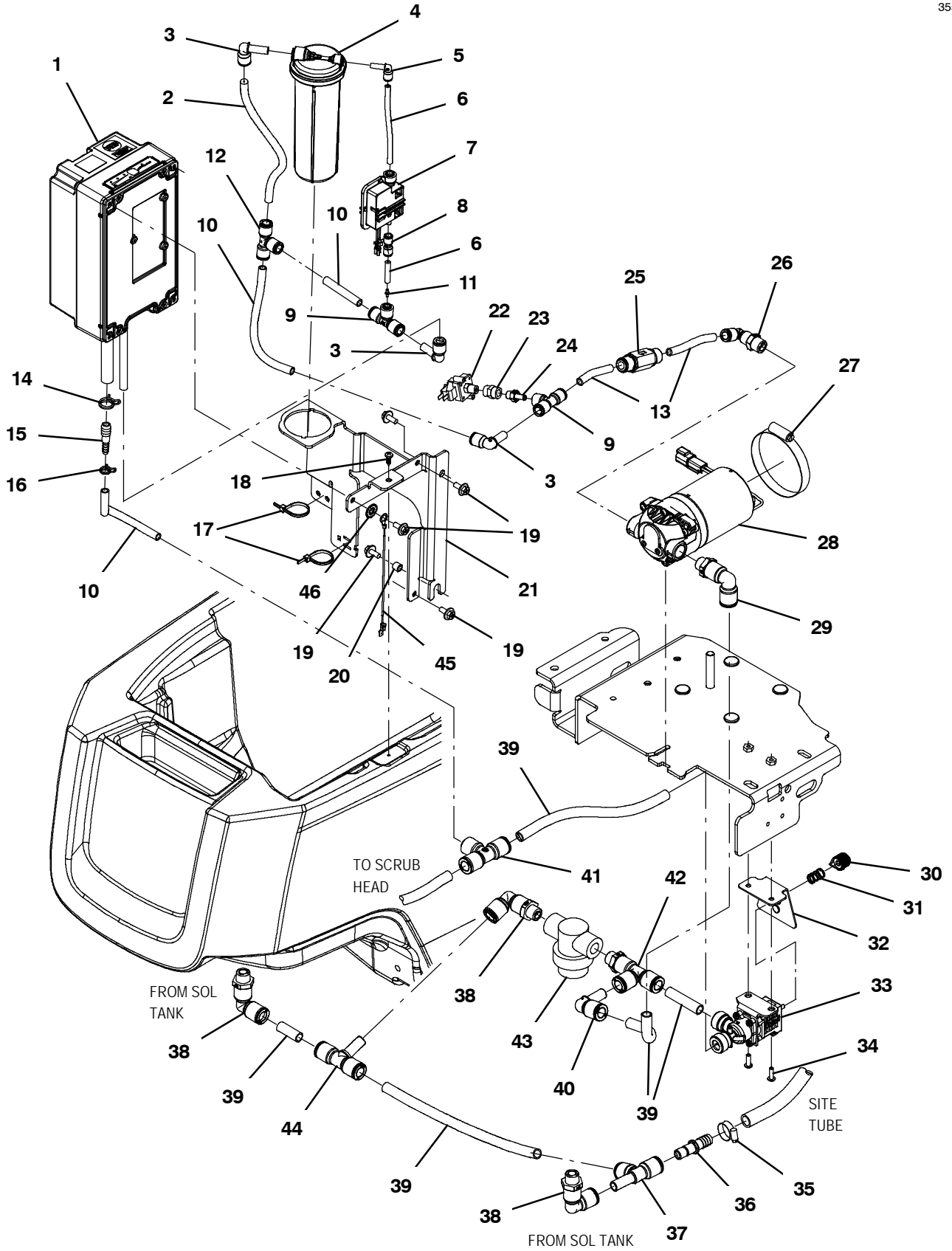
Ref.	Part No.	Serial Number	Description	Qty.	
1	1211424	(30000000- 40000000)	Valve, Water, Solenoid, 24vdc Qf08/Qf08	1	
2	1205799	(30000000- 40000000)	Screw, Btn, M5 X 0.8 X 16, 8.8, NI, Torx	2	
3	1212807	(30000000- 40000000)	Fitting, Plstc, Str, Qm08/Bm08	1	
4	54333	(30000000- 40000000)	Clamp, Hose, Wormdrive, 0.31- 0.88d, .31w	1	
5	1212806	(30000000- 40000000)	Fitting, Plstc, Tee, Qf08/Qf08/Qm08	1	
6	1212987	(30000000- 40000000)	Fitting, Plstc, E90, Qf08/Pm06, Swivel	3	
7	1212859	(30000000- 40000000)	Fitting, Plstc, Str, Qf08/Qf08	1	
8	9014145	(30000000- 40000000)	Hose, Afrmkt, Pe, .375id .50od, 05ft	1	
9	1212813	(30000000- 40000000)	Fitting, Plstc, Str, Qf08/Pm06	1	
▽	10	1211537	(30000000- 40000000)	Filter, In- Line, Pf06/Pf06 080m 2.6l Epd	1
▲	1218885	(30000000- 40000000)	Gasket [Epdm, F/1211537]	1	
▲	1218883	(30000000- 40000000)	Screen, Fltr, 80 Mesh, Ss [W/ Cage]	1	
▲	1211537	(30000000- 40000000)	Filter, In- Line, Pf06/Pf06 080m 2.6l Epd	1	
11	1212810	(30000000- 40000000)	Fitting, Plstc, Tee, Qm08/Qf08/Qf08	1	

▽ ASSEMBLY

▲ INCLUDED IN ASSEMBLY

SOLUTION GROUP, T300e MODEL ec-H2O

355309



SOLUTION GROUP, T300e MODEL ec- H2O

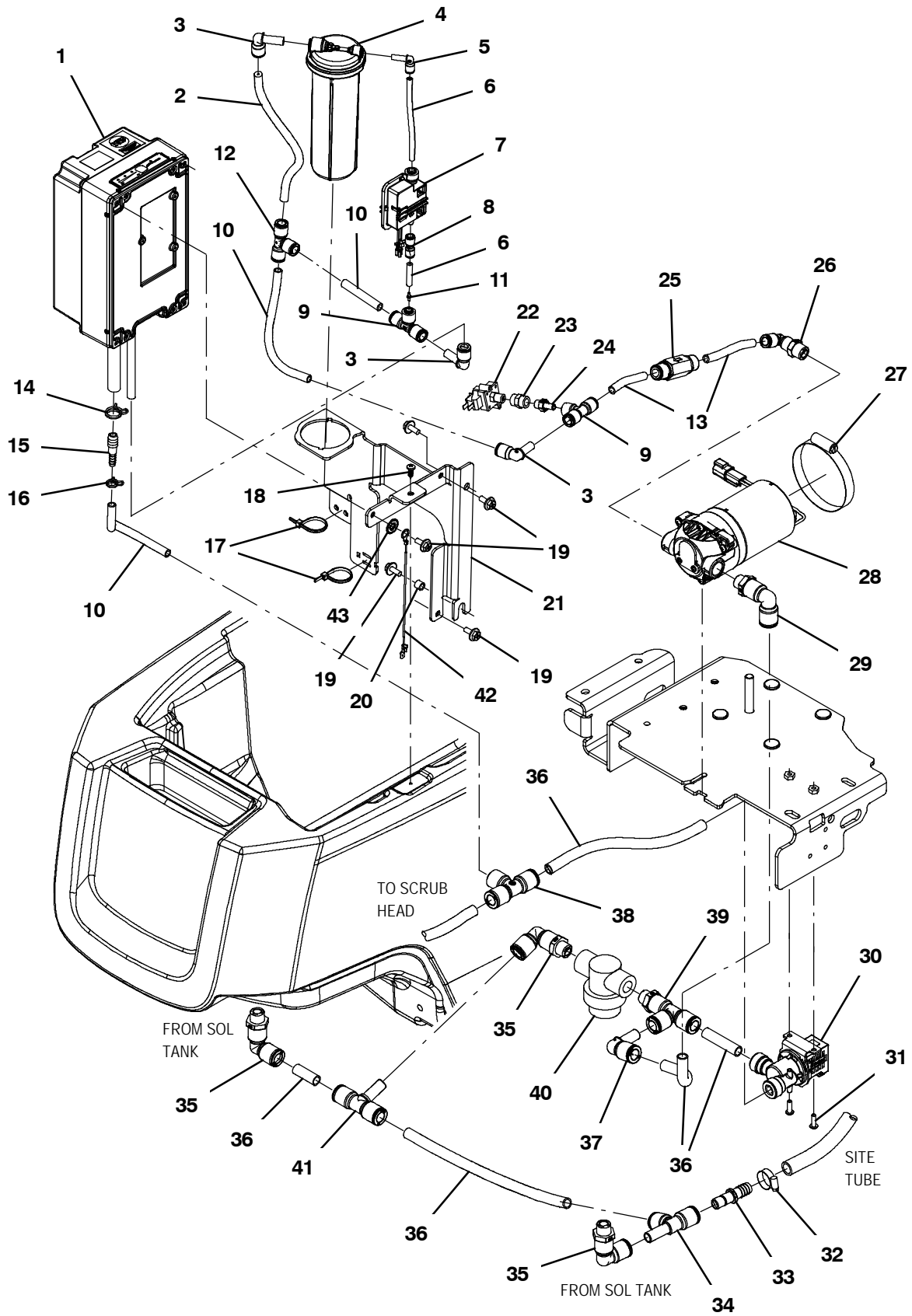
Ref.	Part No.	Serial Number	Description	Qty.	
1	9011810	(30000000- 40000000)	Module Kit, Replmt [Ec- H2o, B 02] (See Breakdowns)	1	
2	9014146	(30000000- 40000000)	Hose, Afrmkt, Pvc, 0.06id .38od, 05ft	1	
3	1215186	(30000000- 40000000)	Fitting, Plstc, E90, Qf06/Qm06	1	
4	9013646	(30000000- 40000000)	Cartridge, Ec- H2o Nanoclean Wcm, 270ml	1	
5	1214339	(30000000- 40000000)	Fitting, Plstc, E90, Qfo4/Qm04	1	
6	9014147	(30000000- 40000000)	Hose, Afrmkt, Pvc, 0.06id .25od, 05ft	1	
7	1216973	(30000000- 40000000)	Pump Assy, Dispenser	1	
8	1218192	(30000000- 40000000)	Fitting, Plstc, Str, Qf04/Qf04	1	
9	1212855	(30000000- 40000000)	Fitting, Plstc, Tee, Qf04/Qf06/Qf06	2	
10	1006415	(30000000- 40000000)	Hose, Afrmkt, Pvc, Clr, 0.25id, 03ft	1	
11	1214972	(30000000- 40000000)	Fitting, Orifice, Str, Bm01/Bm01	1	
12	1212573	(30000000- 40000000)	Fitting, Plstc, Tee, Qf06/Qf06/Qf06	1	
13	9014148	(30000000- 40000000)	Hose, Afrmkt, Pe, .125id .25od, 06ft	1	
14	607775	(30000000- 40000000)	Clamp, Hose, Wir, .63 - .66, Blk	1	
15	1039557	(30000000- 40000000)	Fitting, Plstc, Str, Bm04/Bm06	1	
16	613735	(30000000- 40000000)	Clamp, Hose, Wir, .40 - .42, Yel	1	
17	130773	(30000000- 40000000)	Tie, Cable, Nyl, 11.0l, .14w, 3.0 Max. D	2	
18	1018155	(30000000- 40000000)	Screw, Pan, Phl, M5 X 0.80 X 16, Tcut, Ss	1	
19	1034731	(30000000- 40000000)	Screw, Hex, M6 X 1.00 X 16, Sems, Ss	5	
20	140154	(30000000- 40000000)	Sleeve, P/M, 0.25b 0.38d 0.3l, PI	1	
21	1209249	(30000000- 40000000)	Bracket, Mtg, Ec- H2O Module [T300]	1	
22	1044335	(30000000- 40000000)	Switch, Press, 6psi, Pm02	1	
23	150307	(30000000- 40000000)	Fitting, Brs, Str, Pf02/Pf02, Cplg	1	
24	1216185	(30000000- 40000000)	Fitting, Plstc, Str, Qm04/Pm02	1	
25	1215527	(30000000- 40000000)	Valve, Check, 1.0 Psi Qf06/Qf06	1	
26	1212812	(30000000- 40000000)	Fitting, Plstc, E90, Qf06/Pm06, Swivel	1	
27	43555	(30000000- 40000000)	Clamp, Hose, Wormdrive, 2.62- 3.50d	1	
28	1210517	(30000000- 40000000)	Pump, Soltn, Ele, 24vdc, 35 Psi	1	
29	1212987	(30000000- 40000000)	Fitting, Plstc, E90, Qf08/Pm06, Swivel	1	
30	1013442	(30000000- 40000000)	Knob, Valve, 0.70d 0.61l, 0.21b	1	
31	1017091	(30000000- 40000000)	Spring, Cmpr, 0.50od .04wir 00.8l	1	
32	1210041	(30000000- 40000000)	Bracket Wldt, Mtg, Valve, Soltn	1	
33	1211423	(30000000- 40000000)	Valve, Water, Solenoid, 24vdc Qf08/Qf08	1	
34	1205799	(30000000- 40000000)	Screw, Btn, M5 X 0.8 X 16, 8.8, NI, Torx	2	
35	54333	(30000000- 40000000)	Clamp, Hose, Wormdrive, 0.31- 0.88d, .31w	1	
36	1212807	(30000000- 40000000)	Fitting, Plstc, Str, Qm08/Bm08	1	
37	1212806	(30000000- 40000000)	Fitting, Plstc, Tee, Qf08/Qf08/Qm08	1	
38	1212987	(30000000- 40000000)	Fitting, Plstc, E90, Qf08/Pm06, Swivel	3	
39	9014145	(30000000- 40000000)	Hose, Afrmkt, Pe, .375id .50od, 05ft	1	
40	1212809	(30000000- 40000000)	Fitting, Plstc, E90, Qf08/Qm08	1	
41	1212875	(30000000- 40000000)	Fitting, Plstc, Tee, Qf06/Qf08/Qf08	1	
42	1212808	(30000000- 40000000)	Fitting, Plstc, Tee, Qf08/Qf08/Pm06	1	
▽	43	1211537	(30000000- 40000000)	Filter, In- Line, Pf06/Pf06 080m 2.6l Epd	1
▲		1218885	(30000000- 40000000)	Gasket [Epdm, F/1211537]	1
▲		1218883	(30000000- 40000000)	Screen, Fltr, 80 Mesh, Ss [W/ Cage]	1
▲		1211537	(30000000- 40000000)	Filter, In- Line, Pf06/Pf06 080m 2.6l Epd	1
	44	1212810	(30000000- 40000000)	Fitting, Plstc, Tee, Qm08/Qf08/Qf08	1
	45	1074344	(30000000- 40000000)	Harness, Ele [Ring With .250m Tail]	1
	46	41140	(30000000- 40000000)	Washer, Lock, Int- Ext, 0.25	1

▽ ASSEMBLY

▲ INCLUDED IN ASSEMBLY

SOLUTION GROUP, T300 MODEL ec-H2O

355310



SOLUTION GROUP, T300 MODEL ec- H2O

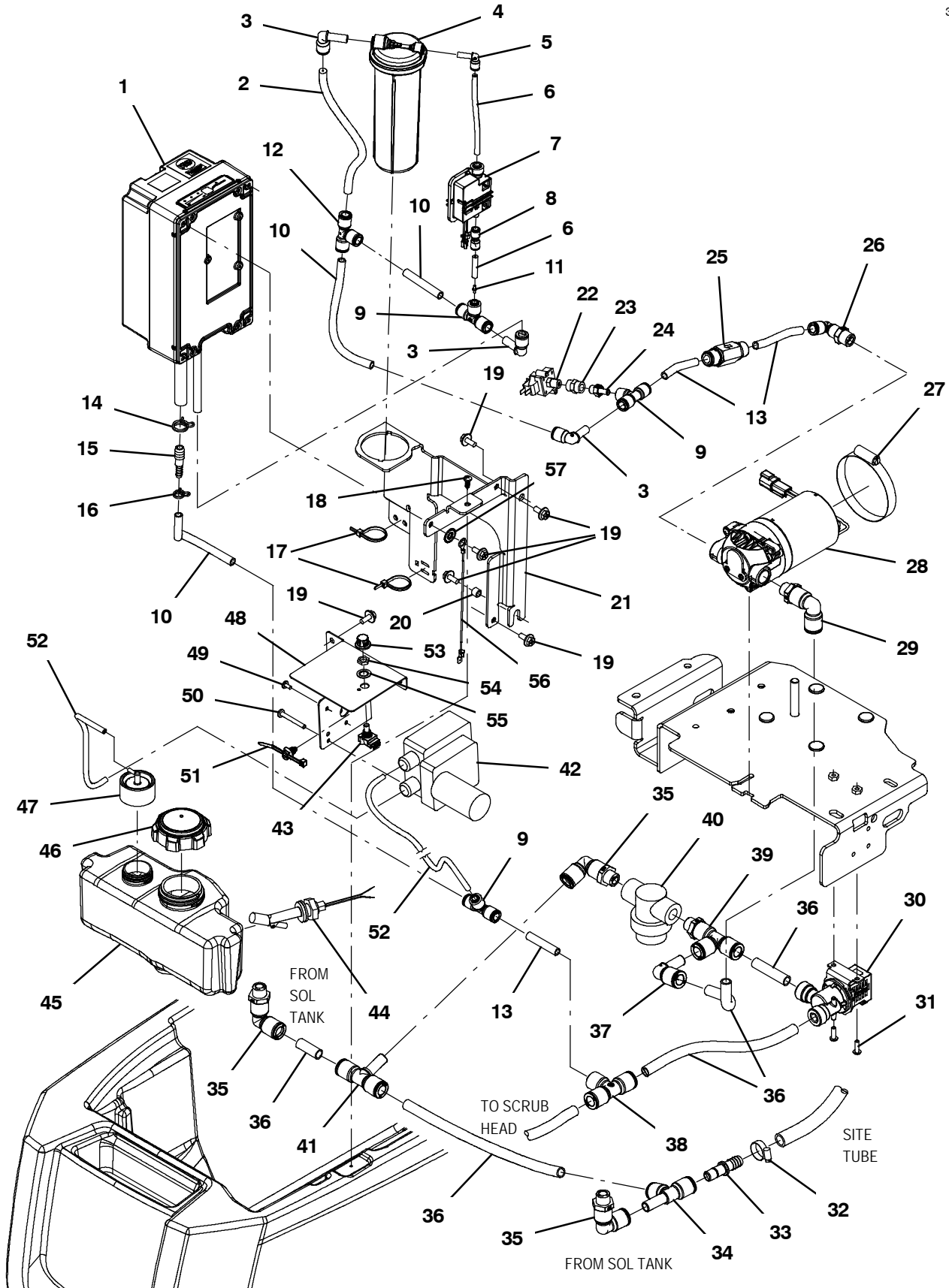
Ref.	Part No.	Serial Number	Description	Qty.	
1	9011810	(30000000- 40000000)	Module Kit, Replmt [Ec- H2o, B 02] (See Breakdowns)	1	
2	9014146	(30000000- 40000000)	Hose, Afrmkt, Pvc, 0.06id .38od, 05ft	1	
3	1215186	(30000000- 40000000)	Fitting, Plstc, E90, Qf06/Qm06	1	
4	9013646	(30000000- 40000000)	Cartridge, Ec- H2o Nanoclean Wcm, 270ml	1	
5	1214339	(30000000- 40000000)	Fitting, Plstc, E90, Qfo4/Qm04	1	
6	9014147	(30000000- 40000000)	Hose, Afrmkt, Pvc, 0.06id .25od, 05ft	1	
7	1216973	(30000000- 40000000)	Pump Assy, Dispenser	1	
8	1218192	(30000000- 40000000)	Fitting, Plstc, Str, Qf04/Qf04	1	
9	1212855	(30000000- 40000000)	Fitting, Plstc, Tee, Qf04/Qf06/Qf06	2	
10	1006415	(30000000- 40000000)	Hose, Afrmkt, Pvc, Clr, 0.25id, 03ft	1	
11	1214972	(30000000- 40000000)	Fitting, Orifice, Str, Bm01/Bm01	1	
12	1212573	(30000000- 40000000)	Fitting, Plstc, Tee, Qf06/Qf06/Qf06	1	
13	9014148	(30000000- 40000000)	Hose, Afrmkt, Pe, .125id .25od, 06ft	1	
14	607775	(30000000- 40000000)	Clamp, Hose, Wir, .63 - .66, Blk	1	
15	1039557	(30000000- 40000000)	Fitting, Plstc, Str, Bm04/Bm06	1	
16	613735	(30000000- 40000000)	Clamp, Hose, Wir, .40 - .42, Yel	1	
17	130773	(30000000- 40000000)	Tie, Cable, Nyl, 11.0l, .14w, 3.0 Max. D	2	
18	1018155	(30000000- 40000000)	Screw, Pan, Phl, M5 X 0.80 X 16, Tcut, Ss	1	
19	1034731	(30000000- 40000000)	Screw, Hex, M6 X 1.00 X 16, Sems, Ss	5	
20	140154	(30000000- 40000000)	Sleeve, P/M, 0.25b 0.38d 0.3l, PI	1	
21	1209249	(30000000- 40000000)	Bracket, Mtg, Ec- H20 Module [T300]	1	
22	1044335	(30000000- 40000000)	Switch, Press, 6psi, Pm02	1	
23	150307	(30000000- 40000000)	Fitting, Brs, Str, Pf02/Pf02, Cplg	1	
24	1216185	(30000000- 40000000)	Fitting, Plstc, Str, Qm04/Pm02	1	
25	1215527	(30000000- 40000000)	Valve, Check, 1.0 Psi Qf06/Qf06	1	
26	1212812	(30000000- 40000000)	Fitting, Plstc, E90, Qf06/Pm06, Swivel	1	
27	43555	(30000000- 40000000)	Clamp, Hose, Wormdrive, 2.62- 3.50d	1	
28	1210517	(30000000- 40000000)	Pump, Soltn, Ele, 24vdc, 35 Psi	1	
29	1212987	(30000000- 40000000)	Fitting, Plstc, E90, Qf08/Pm06, Swivel	1	
30	1211424	(30000000- 40000000)	Valve, Water, Solenoid, 24vdc Qf08/Qf08	1	
31	1205799	(30000000- 40000000)	Screw, Btn, M5 X 0.8 X 16, 8.8, NI, Torx	2	
32	54333	(30000000- 40000000)	Clamp, Hose, Wormdrive, 0.31- 0.88d, .31w	1	
33	1212807	(30000000- 40000000)	Fitting, Plstc, Str, Qm08/Bm08	1	
34	1212806	(30000000- 40000000)	Fitting, Plstc, Tee, Qf08/Qf08/Qm08	1	
35	1212987	(30000000- 40000000)	Fitting, Plstc, E90, Qf08/Pm06, Swivel	3	
36	9014145	(30000000- 40000000)	Hose, Afrmkt, Pe, .375id .50od, 05ft	1	
37	1212809	(30000000- 40000000)	Fitting, Plstc, E90, Qf08/Qm08	1	
38	1212875	(30000000- 40000000)	Fitting, Plstc, Tee, Qf06/Qf08/Qf08	1	
39	1212808	(30000000- 40000000)	Fitting, Plstc, Tee, Qf08/Qf08/Pm06	1	
▽	40	1211537	(30000000- 40000000)	Filter, In- Line, Pf06/Pf06 080m 2.6l Epd	1
▲		1218885	(30000000- 40000000)	Gasket [Epdm, F/1211537]	1
▲		1218883	(30000000- 40000000)	Screen, Fltr, 80 Mesh, Ss [W/ Cage]	1
▲		1211537	(30000000- 40000000)	Filter, In- Line, Pf06/Pf06 080m 2.6l Epd	1
	41	1212810	(30000000- 40000000)	Fitting, Plstc, Tee, Qm08/Qf08/Qf08	1
	42	1074344	(30000000- 40000000)	Harness, Ele [Ring With .250m Tail]	1
	43	41140	(30000000- 40000000)	Washer, Lock, Int- Ext, 0.25	1

▽ ASSEMBLY

▲ INCLUDED IN ASSEMBLY

SOLUTION GROUP, T300 MODEL ec-H2O & SEVERE ENVIRONMENT

355311



SOLUTION GROUP, T300 MODEL ec- H2O & SEVERE ENVIRONMENT

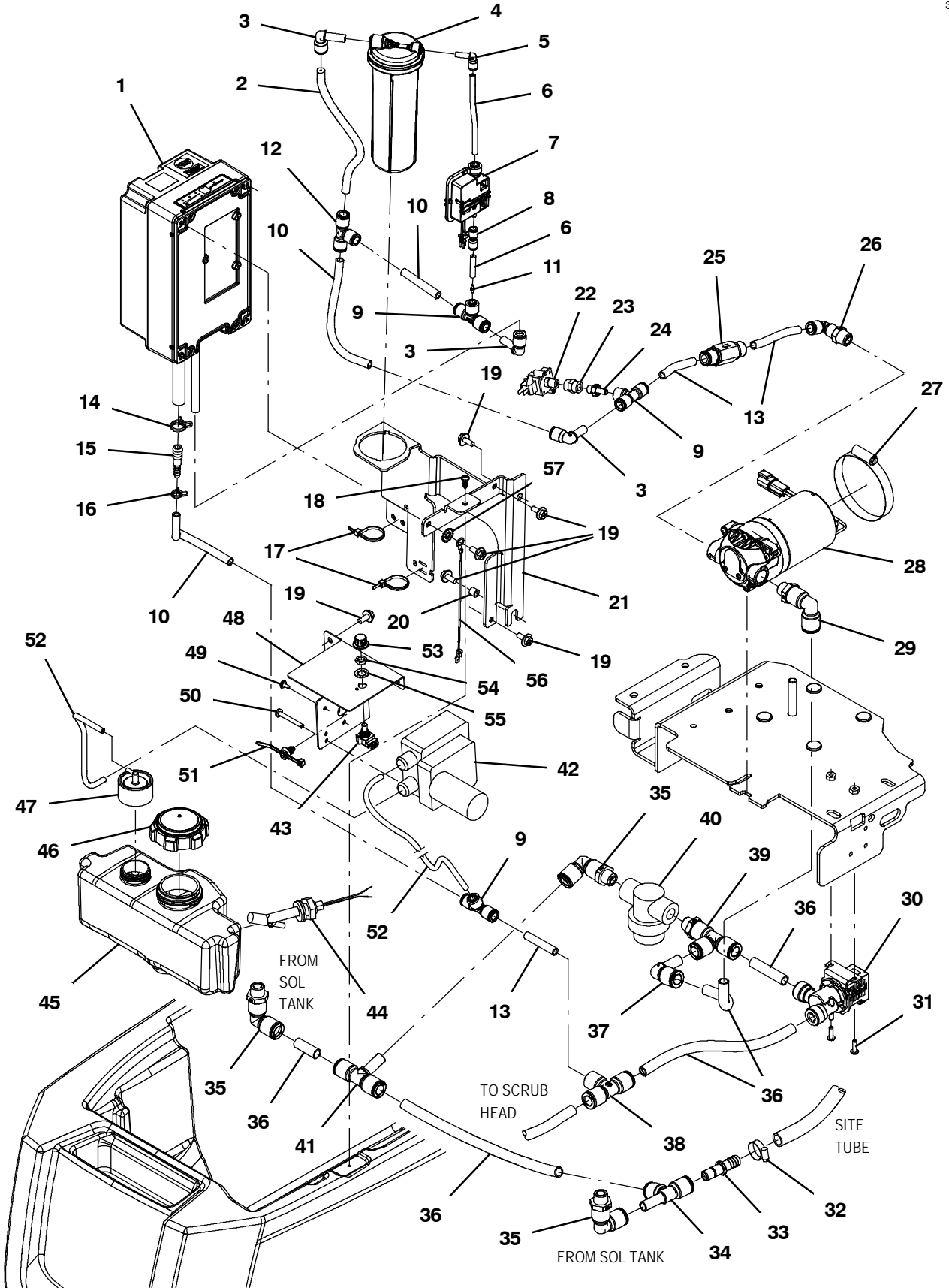
Ref.	Part No.	Serial Number	Description	Qty.	
1	9011810	(30000000- 40000000)	Module Kit, Replmt [Ec- H2o, B 02] (See Breakdowns)	1	
2	9014146	(30000000- 40000000)	Hose, Afrmkt, Pvc, 0.06id .38od, 05ft	1	
3	1215186	(30000000- 40000000)	Fitting, Plstc, E90, Qf06/Qm06	1	
4	9013646	(30000000- 40000000)	Cartridge, Ec- H2o Nanoclean Wcm, 270ml	1	
5	1214339	(30000000- 40000000)	Fitting, Plstc, E90, Qfo4/Qm04	1	
6	9014147	(30000000- 40000000)	Hose, Afrmkt, Pvc, 0.06id .25od, 05ft	1	
7	1216973	(30000000- 40000000)	Pump Assy, Dispenser	1	
8	1218192	(30000000- 40000000)	Fitting, Plstc, Str, Qf04/Qf04	1	
9	1212855	(30000000- 40000000)	Fitting, Plstc, Tee, Qf04/Qf06/Qf06	3	
10	1006415	(30000000- 40000000)	Hose, Afrmkt, Pvc, Clr, 0.25id, 03ft	1	
11	1214972	(30000000- 40000000)	Fitting, Orifice, Str, Bm01/Bm01	1	
12	1212573	(30000000- 40000000)	Fitting, Plstc, Tee, Qf06/Qf06/Qf06	1	
13	9014148	(30000000- 40000000)	Hose, Afrmkt, Pe, .125id .25od, 06ft	1	
14	607775	(30000000- 40000000)	Clamp, Hose, Wir, .63 - .66, Blk	1	
15	1039557	(30000000- 40000000)	Fitting, Plstc, Str, Bm04/Bm06	1	
16	613735	(30000000- 40000000)	Clamp, Hose, Wir, .40 - .42, Yel	1	
17	130773	(30000000- 40000000)	Tie, Cable, Nyl, 11.0l, .14w, 3.0 Max. D	2	
18	1018155	(30000000- 40000000)	Screw, Pan, Phl, M5 X 0.80 X 16, Tcut,Ss	1	
19	1034731	(30000000- 40000000)	Screw, Hex, M6 X 1.00 X 16, Sems, Ss	7	
20	140154	(30000000- 40000000)	Sleeve, P/M, 0.25b 0.38d 0.3l, PI	1	
21	1209249	(30000000- 40000000)	Bracket, Mtg, Ec- H20 Module [T300]	1	
22	1044335	(30000000- 40000000)	Switch, Press, 6psi, Pm02	1	
23	150307	(30000000- 40000000)	Fitting, Brs, Str, Pf02/Pf02, Cplg	1	
24	1216185	(30000000- 40000000)	Fitting, Plstc, Str, Qm04/Pm02	1	
25	1215527	(30000000- 40000000)	Valve, Check, 1.0 Psi Qf06/Qf06	1	
26	1212812	(30000000- 40000000)	Fitting, Plstc, E90, Qf06/Pm06, Swivel	1	
27	43555	(30000000- 40000000)	Clamp, Hose, Wormdrive, 2.62- 3.50d	1	
28	1210517	(30000000- 40000000)	Pump, Soltn, Ele, 24vdc, 35 Psi	1	
29	1212987	(30000000- 40000000)	Fitting, Plstc, E90, Qf08/Pm06, Swivel	1	
30	1211424	(30000000- 40000000)	Valve, Water, Solenoid, 24vdc Qf08/Qf08	1	
31	1205799	(30000000- 40000000)	Screw, Btn, M5 X 0.8 X 16, 8.8, NI, Torx	2	
32	54333	(30000000- 40000000)	Clamp, Hose, Wormdrive, 0.31- 0.88d, .31w	1	
33	1212807	(30000000- 40000000)	Fitting, Plstc, Str, Qm08/Bm08	1	
34	1212806	(30000000- 40000000)	Fitting, Plstc, Tee, Qf08/Qf08/Qm08	1	
35	1212987	(30000000- 40000000)	Fitting, Plstc, E90, Qf08/Pm06, Swivel	3	
36	9014145	(30000000- 40000000)	Hose, Afrmkt, Pe, .375id .50od, 05ft	1	
37	1212809	(30000000- 40000000)	Fitting, Plstc, E90, Qf08/Qm08	1	
38	1212875	(30000000- 40000000)	Fitting, Plstc, Tee, Qf06/Qf08/Qf08	1	
39	1212808	(30000000- 40000000)	Fitting, Plstc, Tee, Qf08/Qf08/Pm06	1	
▽	40	1211537	(30000000- 40000000)	Filter, In- Line, Pf06/Pf06 080m 2.6l Epd	1
▲	1218885	(30000000- 40000000)	Gasket [Epdm, F/1211537]	1	
▲	1218883	(30000000- 40000000)	Screen, Fltr, 80 Mesh, Ss [W/ Cage]	1	
▲	1211537	(30000000- 40000000)	Filter, In- Line, Pf06/Pf06 080m 2.6l Epd	1	

▽ ASSEMBLY

▲ INCLUDED IN ASSEMBLY

SOLUTION GROUP, T300 MODEL ec-H2O & SEVERE ENVIRONMENT - CONT'D

355311



SOLUTION GROUP, T300 MODEL ec-H2O & SEVERE ENVIRONMENT - CONT'D

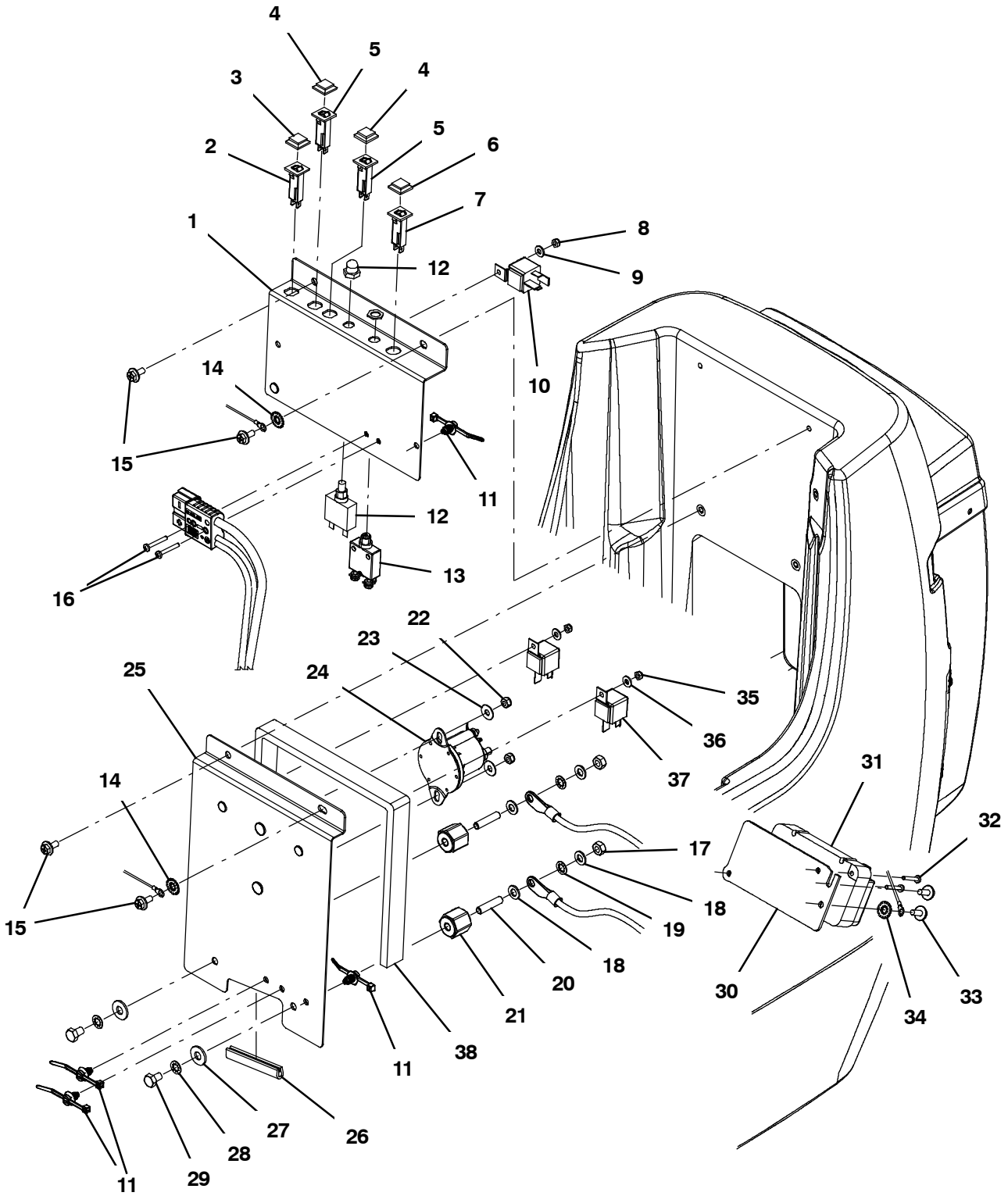
Ref.	Part No.	Serial Number	Description	Qty.
	41	1212810	(30000000- 40000000) Fitting, Plstc, Tee, Qm08/Qf08/Qf08	1
▽	42	1215698	(30000000- 40000000) Pump Assy, Detgt, 24 Vdc [T300]	1
▲		1208721	(30000000- 40000000) Pump, Detgt, 24vdc, 120rpm	1
▲		1219077	(30000000- 40000000) Hose Kit, Detgt [0.5cc]	1
▲	43	1211775	(30000000- 40000000) Potentiometer [5k, W/Leads And Conn.]	1
	44	1212430	(30000000- 40000000) Sensor, Level, Liq, 30watt, Spst	1
	45	1208289	(30000000- 40000000) Tank [1.5 Liter]	1
	46	1210442	(30000000- 40000000) Cap, Tank, 2.25 [Vented]	1
	47	1210437	(30000000- 40000000) Cap, Plstc, 38mm, Elbow Ftg	1
	48	1209151	(30000000- 40000000) Bracket, Mtg, Pump, Detgt	1
	49	609980	(30000000- 40000000) Screw, Trs, Phl, 08- 32 X 0.38, Sems	4
	50	17185	(30000000- 40000000) Screw, Pan, Phl, M5 X 0.80 X 40, Ss	2
	51	1210807	(30000000- 40000000) Wire, Tie [W/.25" Fir Tree Clip]	1
	52	613465	(30000000- 40000000) Hose, Pvc, Clr, 0.12id 0.25od 026.0l	1
	53	630265	(30000000- 40000000) Knob, Rnd, 0.75d 0.50l 0.25b, Plstc	1
	54	222607	(30000000- 40000000) Nut, Hex, Thin, .38- 32	1
	55	43953	(30000000- 40000000) Washer, Lock, Int, 0.38, Ss	1
	56	1074344	(30000000- 40000000) Harness, Ele [Ring With .250m Tail]	1
	57	41140	(30000000- 40000000) Washer, Lock, Int- Ext, 0.25	1

▽ ASSEMBLY

▲ INCLUDED IN ASSEMBLY

ELECTRICAL COMPONENTS GROUP, T300e MODEL

355320

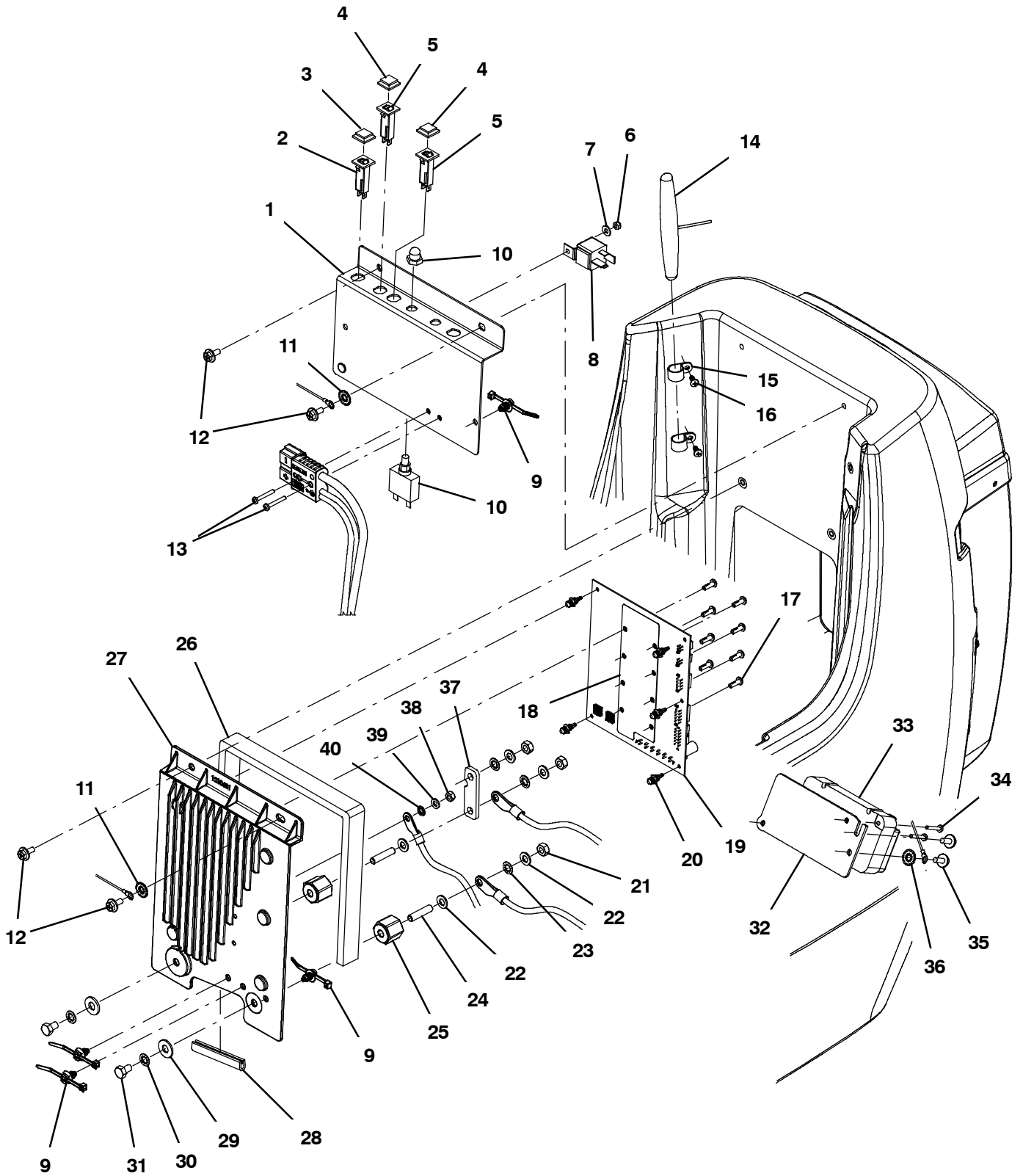


ELECTRICAL COMPONENTS GROUP, T300e MODEL

Ref.	Part No.	Serial Number	Description	Qty.
1	9014188	(30000000- 40000000)	Bracket Wldt, Afmkt, Mtg [Circuitbrkrs]	1
2	1208816	(30000000- 40000000)	Circuitbreaker, 04.0a, Resetable	1
3	1064191	(30000000- 40000000)	Boot, Circuitbreaker	1
4	1064191	(30000000- 40000000)	Boot, Circuitbreaker (ec- H2O Option)	2
5	1208816	(30000000- 40000000)	Circuitbreaker, 04.0a, Resetable (ec- H2O Option)	2
6	1064191	(30000000- 40000000)	Boot, Circuitbreaker	1
7	1064189	(30000000- 40000000)	Circuitbreaker, 20.0a, Resetable	1
8	09739	(30000000- 40000000)	Nut, Hex, Lock, M5 X 0.80, NI, Ss (ec- H2O Option)	1
9	01683	(30000000- 40000000)	Washer, Flat, 10, Ss (ec- H2O Option)	1
10	1012216	(30000000- 40000000)	Relay, 24vdc, 070a, Spst No, Plug- In (ec- H2O Option)	1
11	1210807	(30000000- 40000000)	Wire, Tie [W/.25" Fir Tree Clip]	4
12	383725	(30000000- 40000000)	Circuitbreaker, 30.0a, Resetable (Propel Model)	1
13	1074526	(30000000- 40000000)	Circuitbreaker, 37.0a	1
14	41140	(30000000- 40000000)	Washer, Lock, Int- Ext, 0.25	2
15	1034731	(30000000- 40000000)	Screw, Hex, M6 X 1.00 X 16, Sems, Ss	4
16	33931	(30000000- 40000000)	Screw, Pan, Phl, M4 X 0.70 X 30, Ss	2
17	41361	(30000000- 40000000)	Nut, Hex, Std, M8 X 1.25, Brs	2
18	1209373	(30000000- 40000000)	Washer, Flat, M8.4b X 16d X 1.6, Brs	4
19	43952	(30000000- 40000000)	Washer, Lock, Int, 0.31, Ss	2
20	607461	(30000000- 40000000)	Screw, Set, M8 X 1.25 X 35, NI	2
21	1205345	(30000000- 40000000)	Stand- Off, Wir, M8, Insulator, Panel	2
22	09739	(30000000- 40000000)	Nut, Hex, Lock, M5 X 0.80, NI, Ss	2
23	01684	(30000000- 40000000)	Washer, Flat, 0.27b 0.69d .05, Ss	2
24	1066409	(30000000- 40000000)	Relay, 24vdc, 150a, No [Trombetta]	1
25	1208619	(30000000- 40000000)	Bracket Wldt, Mtg, Ele	1
26	1020174	(30000000- 40000000)	Molding, Afmkt, Trim, Pvc, .08 .11, 03ft	1
27	01685	(30000000- 40000000)	Washer, Flat, 0.38b 0.88d .08, Ss	2
28	32984	(30000000- 40000000)	Washer, Lock, Int, 0.31	2
29	386868	(30000000- 40000000)	Screw, Hex, M8 X 1.25 X 12, Ss	2
30	1210078	(30000000- 40000000)	Bracket Wldt, Drive (Propel Model)	1
31	1210795	(30000000- 40000000)	Controller, Propel, 24vdc [I- Drive] (Propel Model)	1
32	04403	(30000000- 40000000)	Screw, Pan, Phl, M4 X 0.70 X 25, NI, Ss (Propel Model)	2
33	1034731	(30000000- 40000000)	Screw, Hex, M6 X 1.00 X 16, Sems, Ss (Propel Model)	2
34	41140	(30000000- 40000000)	Washer, Lock, Int- Ext, 0.25 (Propel Model)	1
35	09739	(30000000- 40000000)	Nut, Hex, Lock, M5 X 0.80, NI, Ss	2
36	01683	(30000000- 40000000)	Washer, Flat, 10, Ss	2
37	1012216	(30000000- 40000000)	Relay, 24vdc, 070a, Spst No, Plug- In	2
38	1208628	(30000000- 40000000)	Gasket, Cover, Circuitboard	1

ELECTRICAL COMPONENTS GROUP, T300 MODEL

355321

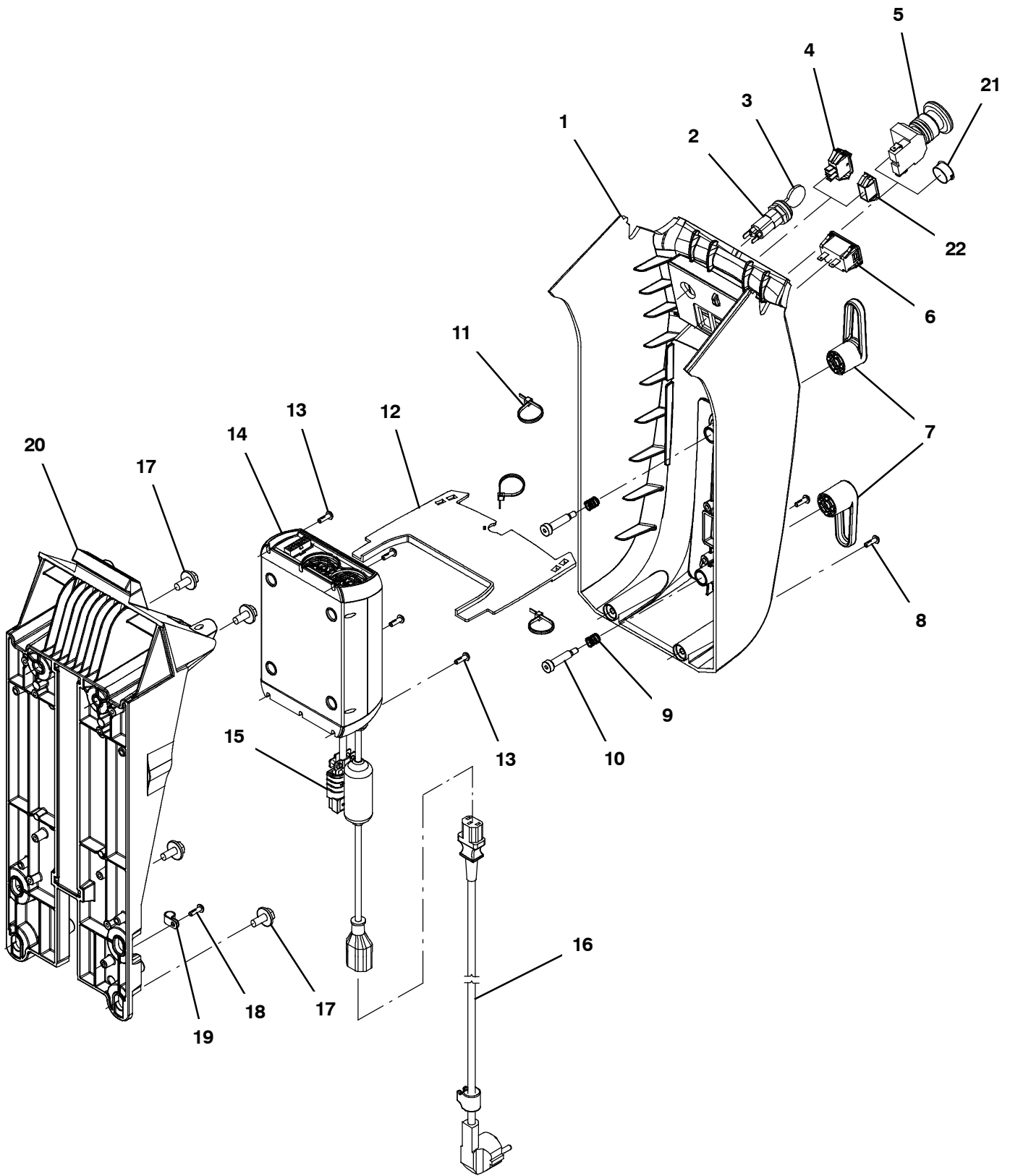


ELECTRICAL COMPONENTS GROUP, T300 MODEL

Ref.	Part No.	Serial Number	Description	Qty.
1	9014188	(30000000- 40000000)	Bracket Wldt, Afmkt, Mtg [Circuitbrkrs]	1
2	1208816	(30000000- 40000000)	Circuitbreaker, 04.0a, Resetable	1
3	1064191	(30000000- 40000000)	Boot, Circuitbreaker	1
4	1064191	(30000000- 40000000)	Boot, Circuitbreaker (ec- H2O Option)	2
5	1208816	(30000000- 40000000)	Circuitbreaker, 04.0a, Resetable (ec- H2O Option)	2
6	09739	(30000000- 40000000)	Nut, Hex, Lock, M5 X 0.80, NI, Ss (ec- H2O Option)	1
7	01683	(30000000- 40000000)	Washer, Flat, 10, Ss (ec- H2O Option)	1
8	1012216	(30000000- 40000000)	Relay, 24vdc, 070a, Spst No, Plug- In (ec- H2O Option)	1
9	1210807	(30000000- 40000000)	Wire, Tie [W/.25" Fir Tree Clip]	4
10	383725	(30000000- 40000000)	Circuitbreaker, 30.0a, Resetable (Propel Model)	1
11	41140	(30000000- 40000000)	Washer, Lock, Int- Ext, 0.25	2
12	1034731	(30000000- 40000000)	Screw, Hex, M6 X 1.00 X 16, Sems, Ss	4
13	33931	(30000000- 40000000)	Screw, Pan, Phl, M4 X 0.70 X 30, Ss	2
14	315724	(30000000- 40000000)	Cs, Antenna, Telem, 18.0 In [Gprs] (Iris Option)	1
	768531	(30000000- 40000000)	Sleeve, Heatshrink, 0.38id, 06.0l (Iris Option)	1
15	140916	(30000000- 40000000)	Clamp, Cable, Nyl, 0.62d, Nat (Iris Option)	2
16	1018155	(30000000- 40000000)	Screw, Pan, Phl, M5 X 0.80 X 16, Tcut,Ss (Iris Option)	2
17	1205799	(30000000- 40000000)	Screw, Btn, M5 X 0.8 X 16, 8.8, NI, Torx	8
18	1210381	(30000000- 40000000)	Circuitboard, Silpad [Vw, Lower]	1
19	1210736	(30000000- 40000000)	Circuitboard, Assy [Vw, Controller]	1
19	1215340	(30000000- 40000000)	Circuitboard, Assy [Vw, Cntrl, Telem] (Iris Option)	1
20	1209448	(30000000- 40000000)	Standoff, Circuitboard, .25	5
21	41361	(30000000- 40000000)	Nut, Hex, Std, M8 X 1.25, Brs	3
22	1209373	(30000000- 40000000)	Washer, Flat, M8.4b X 16d X 1.6, Brs	5
23	43952	(30000000- 40000000)	Washer, Lock, Int, 0.31, Ss	3
24	607461	(30000000- 40000000)	Screw, Set, M8 X 1.25 X 35, NI	2
25	1205345	(30000000- 40000000)	Stand- Off, Wir, M8, Insulator, Panel	2
26	1208628	(30000000- 40000000)	Gasket, Cover, Circuitboard	1
27	1210631	(30000000- 40000000)	Heatsink, Mtg, Circuitboard, 12.1 X 08.6	1
28	1020174	(30000000- 40000000)	Molding, Afmkt, Trim, Pvc, .08 .11, 03ft	1
29	01685	(30000000- 40000000)	Washer, Flat, 0.38b 0.88d .08, Ss	2
30	32984	(30000000- 40000000)	Washer, Lock, Int, 0.31	2
31	386868	(30000000- 40000000)	Screw, Hex, M8 X 1.25 X 12, Ss	2
32	1210078	(30000000- 40000000)	Bracket Wldt, Drive (Propel Model)	1
33	1210795	(30000000- 40000000)	Controller, Propel, 24vdc [I- Drive] (Propel Model)	1
34	04403	(30000000- 40000000)	Screw, Pan, Phl, M4 X 0.70 X 25, NI, Ss (Propel Model)	2
35	1034731	(30000000- 40000000)	Screw, Hex, M6 X 1.00 X 16, Sems, Ss (Propel Model)	2
36	41140	(30000000- 40000000)	Washer, Lock, Int- Ext, 0.25 (Propel Model)	1
37	1212780	(30000000- 40000000)	Busbar, 125a 0.188 0.750w 2.638l	1
38	1061910	(30000000- 40000000)	Nut, Hex, Std, M6 X 1.00, Brs	1
39	1061918	(30000000- 40000000)	Washer, Flat, 0.25b 0.47d .06, Brs	1
40	07515	(30000000- 40000000)	Washer, Lock, Int, 0.25, Ss	1

LOWER CONSOLE GROUP, ON-BOARD CHARGER

355377



LOWER CONSOLE GROUP, ON-BOARD CHARGER

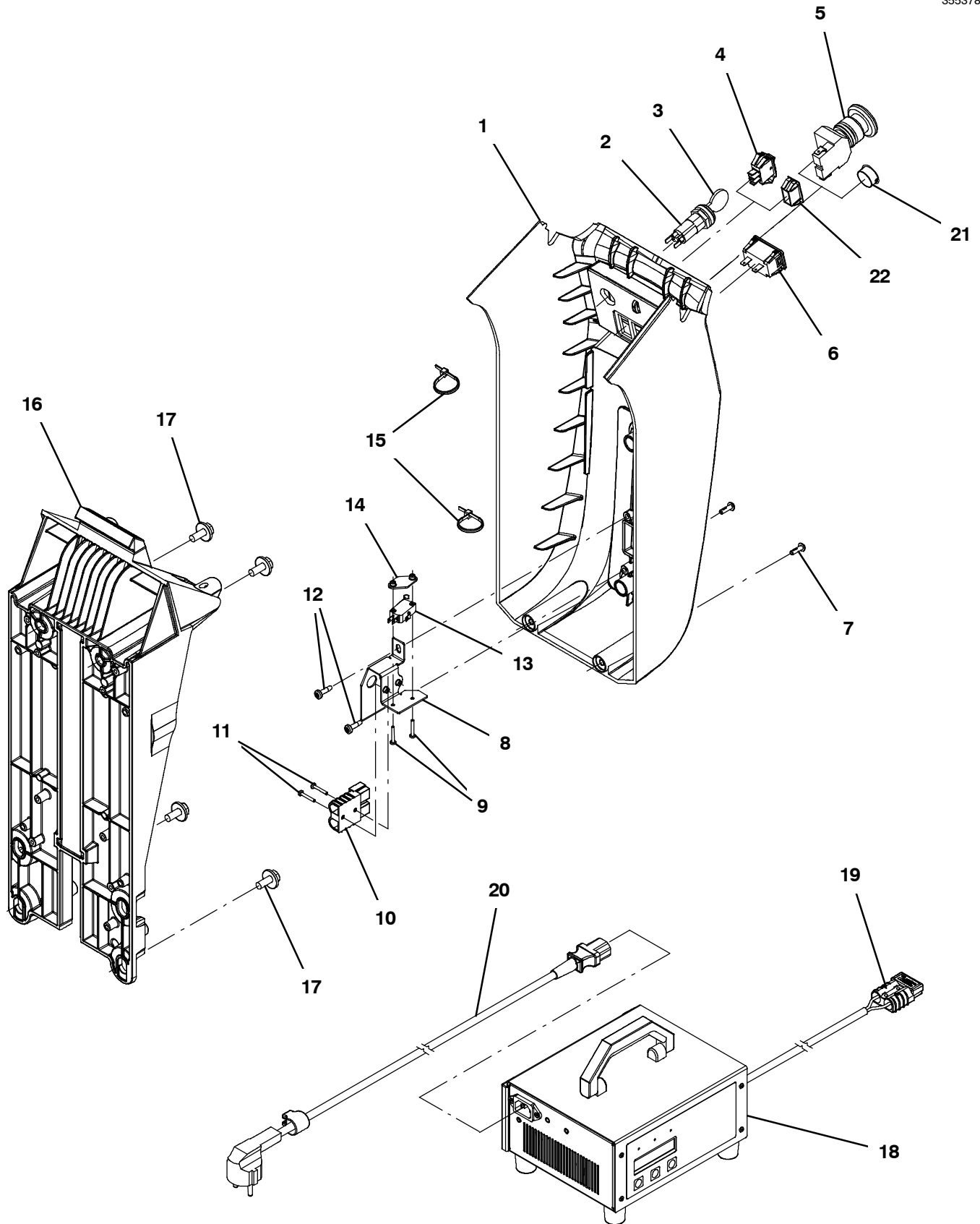
Ref.	Part No.	Serial Number	Description	Qty.
	1	1203802	(30000000- 40000000) Cover, Column, Cntrl	1
▽	2	1011402	(30000000- 40000000) Switch, Key	1
▲	3	1017696	(30000000- 40000000) Key Set, Replmt [F/ Keyswitch 1011402]	1
	4	1044393	(30000000- 40000000) Switch, Rocker, Spst Mom (ec- H2O Option)	1
	5	1011735	(30000000- 40000000) Switch, Safety, Shutoff (Propel Model)	1
	6	1064038	(30000000- 40000000) Gauge, Hourmeter, 05- 277 Volt, Ac / Dc	1
	7	1205496	(30000000- 40000000) Hook, Cord	2
	8	1205799	(30000000- 40000000) Screw, Btn, M5 X 0.8 X 16, 8.8, NI, Torx	2
	9	611311	(30000000- 40000000) Spring, Cmpr, 0.40od .05wir 00.5l, Pl,Mw	2
	10	1024965	(30000000- 40000000) Bolt, Shld, 08mmd X 030mm, M06 X 1.0	2
	11	130773	(30000000- 40000000) Tie, Cable, Nyl, 11.0l, .14w, 3.0 Max. D	3
	12	1211582	(30000000- 40000000) Cover, Chrgr [Small Spe]	1
	13	1205799	(30000000- 40000000) Screw, Btn, M5 X 0.8 X 16, 8.8, NI, Torx	4
▽	14	1219737	(30000000- 40000000) Charger, Ce, 24vdc 13a 100- 240vac[On Bd]	1
▲	15	605387	(30000000- 40000000) Connector, Anderson, 050a, Red [W/O Con]	1
	16	1032849	(30000000- 40000000) Cord, Power, Blk [4.5meter, Ce]	1
		1047197	(30000000- 40000000) Plug, Converter, Eu- Uk (UK Only Use w/Cord #1032849)	1
	16	1019426	(30000000- 40000000) Cord, Chrgr, Ele, Tj (Japan)	1
	16	1026330	(30000000- 40000000) Cord, Power, 1.0mm2 [2.5meter] (China)	1
	16	1026325	(30000000- 40000000) Cord, Power, 1.0mm2/3 Blk[2.5meter, Aus]	1
	16	1048304	(30000000- 40000000) Cord, Power [4.5meter, India, S.Africa]	1
	17	1020341	(30000000- 40000000) Screw, Hex, M8 X 1.25 X 20, Ss, Sems	4
	18	1205799	(30000000- 40000000) Screw, Btn, M5 X 0.8 X 16, 8.8, NI, Torx	1
	19	26395- 2	(30000000- 40000000) Clamp, Cable, Stl, 0.38d X 0.38w, 1hole	1
	20	1216531	(30000000- 40000000) Frame, Column, Cntrl [Revised Machined]	1
	21	130161	(30000000- 40000000) Plug, Hole, Rnd, 0.88d, Blk (Push Model)	1
	22	582150	(30000000- 40000000) Plug, Hole, Rt, 1.23 X 1.12, Nyl (Standard Model)	1

▽ ASSEMBLY

▲ INCLUDED IN ASSEMBLY

LOWER CONSOLE GROUP, OFF-BOARD CHARGER

355378



LOWER CONSOLE GROUP, OFF- BOARD CHARGER

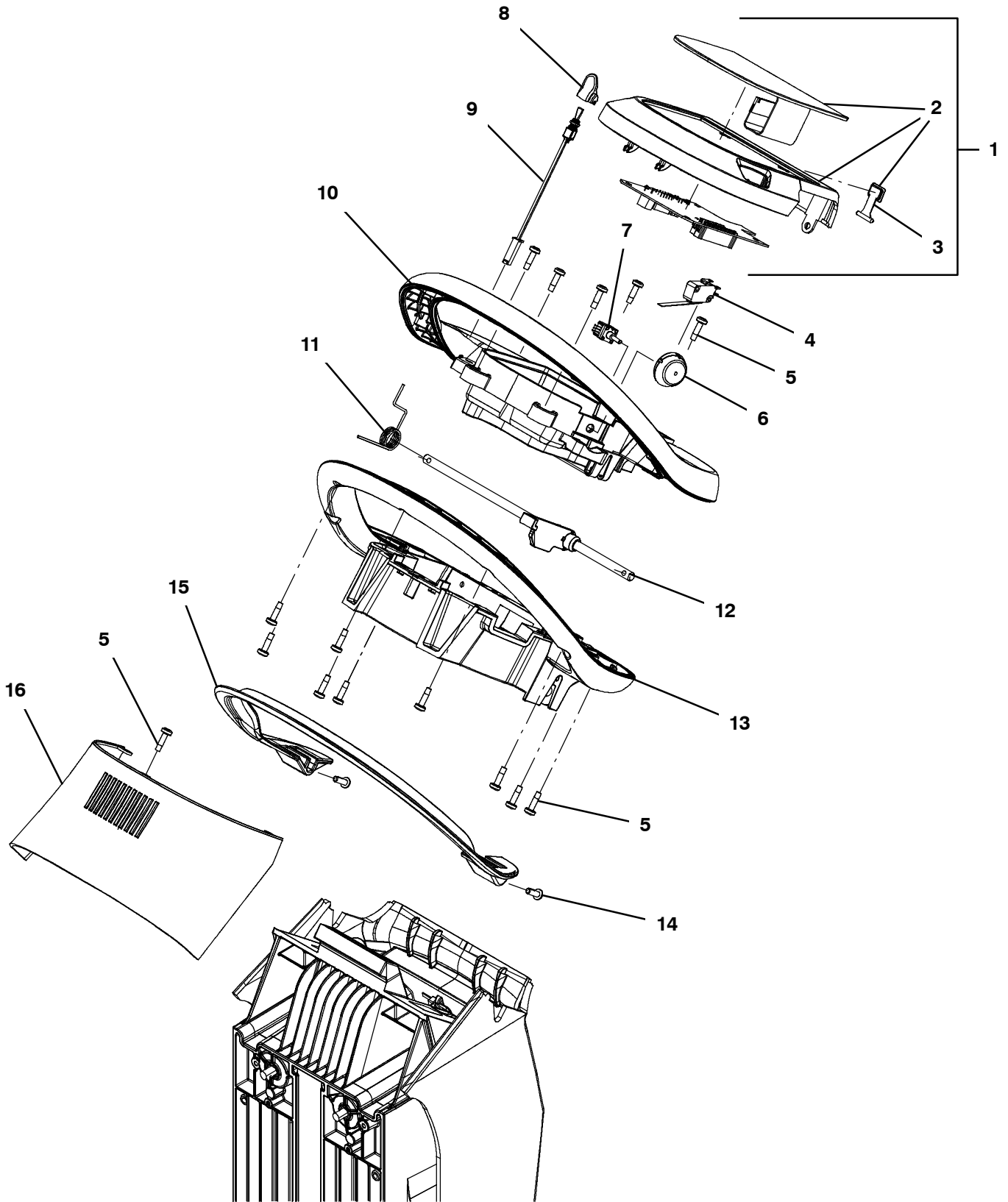
Ref.	Part No.	Serial Number	Description	Qty.
	1	1203802	(30000000- 40000000) Cover, Column, Cntrl	1
▽	2	1011402	(30000000- 40000000) Switch, Key	1
▲	3	1017696	(30000000- 40000000) Key Set, Replmt [F/ Keyswitch 1011402]	1
	4	1044393	(30000000- 40000000) Switch, Rocker, Spst Mom (ec- H2O Option)	1
	5	1011735	(30000000- 40000000) Switch, Safety, Shutoff (Propel Model)	1
	6	1064038	(30000000- 40000000) Gauge, Hourmeter, 05- 277 Volt, Ac / Dc	1
	7	1205799	(30000000- 40000000) Screw, Btn, M5 X 0.8 X 16, 8.8, NI, Torx	2
	8	1208599	(30000000- 40000000) Bracket Assy, Plug, Charger	1
	9	06922	(30000000- 40000000) Screw, Pan, Phl, M3 X 0.50 X 20, 4.8	2
	10	605387	(30000000- 40000000) Connector, Anderson, 050a, Red [W/O Con]	1
	11	06922	(30000000- 40000000) Screw, Pan, Phl, M3 X 0.50 X 20, 4.8	2
	12	1043573	(30000000- 40000000) Screw, #10- 14 X 0.675, Spl[Shcs,Selftap]	2
	13	1215716	(30000000- 40000000) Switch, 0.1a, Spdt[Micro, Gold Contacts]	1
	14	1013705	(30000000- 40000000) Plate, Thread, Switch, M3 Nut, 96hr PI	1
	15	130773	(30000000- 40000000) Tie, Cable, Nyl, 11.0l, .14w, 3.0 Max. D	2
	16	1216531	(30000000- 40000000) Frame, Column, Cntrl [Revised Machined]	1
	17	1020341	(30000000- 40000000) Screw, Hex, M8 X 1.25 X 20, Ss, Sems	4
▽	18	1212837	(30000000- 40000000) Charger, 24vdc, 13a 85- 265vac [Offboard]	1
▲	19	605387	(30000000- 40000000) Connector, Anderson, 050a, Red [W/O Con]	1
	20	1032849	(30000000- 40000000) Cord, Power, Blk [4.5meter, Ce]	1
		1047197	(30000000- 40000000) Plug, Converter, Eu- Uk (UK Only Use w/Cord #1032849)	1
	20	1019426	(30000000- 40000000) Cord, Chrgr, Ele, Tj (Japan)	1
	20	1026330	(30000000- 40000000) Cord, Power, 1.0mm2 [2.5meter] (China)	1
	20	1026325	(30000000- 40000000) Cord, Power, 1.0mm2/3 Blk[2.5meter, Aus]	1
	20	1048304	(30000000- 40000000) Cord, Power [4.5meter, India, S.Africa]	1
	21	130161	(30000000- 40000000) Plug, Hole, Rnd, 0.88d, Blk (Push Model)	1
	22	582150	(30000000- 40000000) Plug, Hole, Rt, 1.23 X 1.12, Nyl (Standard Model)	1

▽ ASSEMBLY

▲ INCLUDED IN ASSEMBLY

HANDLE GROUP, T300e PROPEL MODEL

355326



HANDLE GROUP, T300e PROPEL MODEL

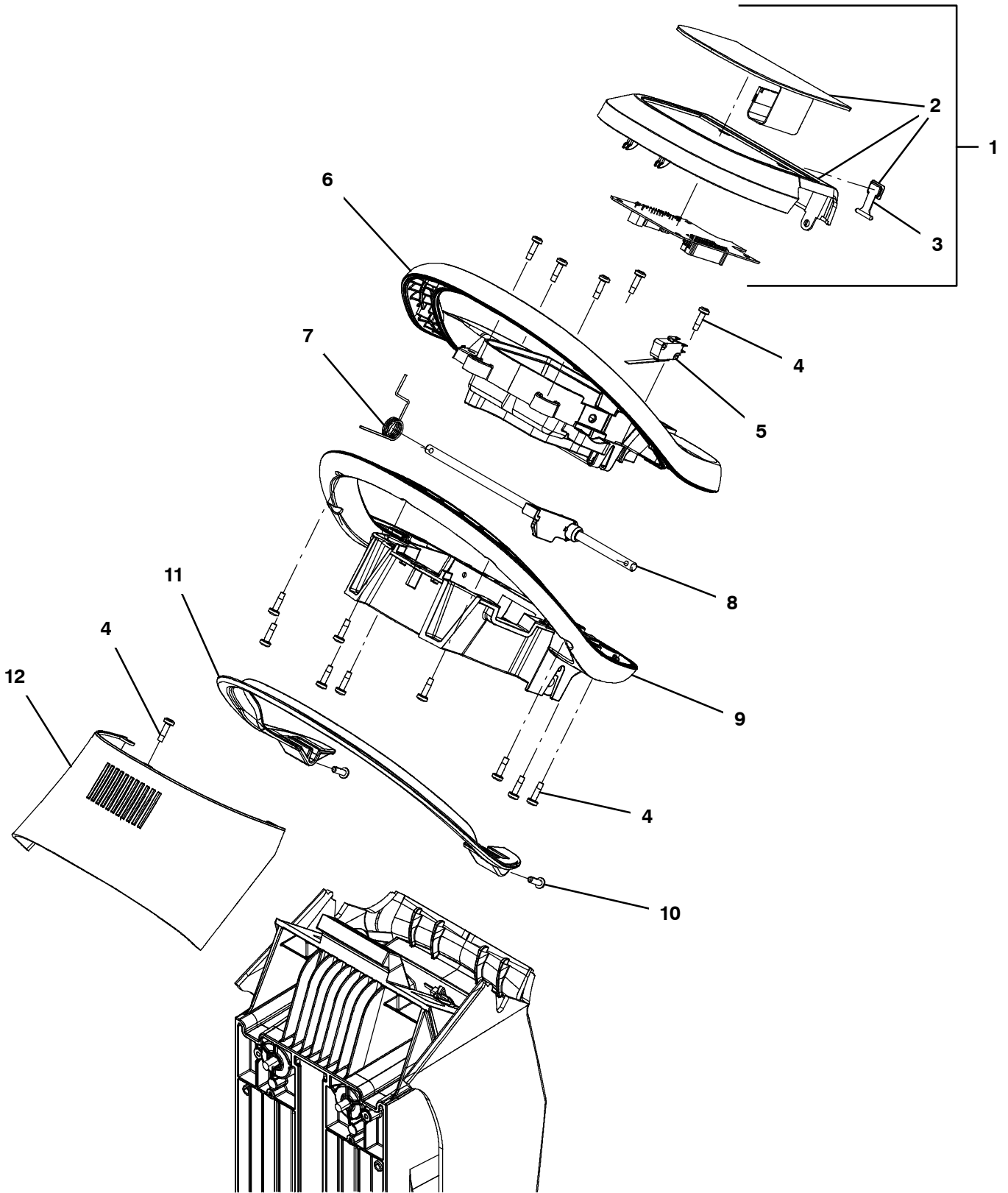
Ref.	Part No.	Serial Number	Description	Qty.
▽	1	9014131	(30000000- 40000000) Bezel Kit, Propel, Membrane, Ci [T300e/S	1
▲▽	2	9014137	(30000000- 40000000) Screen Kit, Propel, Memb., Ci [T300e/Ss]	1
▲▲	3	1205618	(30000000- 40000000) Cap, Usb	1
	4	1205323	(30000000- 40000000) Switch, 0.1a, Spdt [Micro, Straight]	1
	5	1043573	(30000000- 40000000) Screw, #10- 14 X 0.675, Spl[Shcs,Selftap]	15
	6	1206586	(30000000- 40000000) Dial, Range, Speed	1
	7	1204930	(30000000- 40000000) Potentiometer [100k, 1 Turn, B5/B7]	1
	8	1209730	(30000000- 40000000) Cap, Toggle, Direction	1
	9	1209673	(30000000- 40000000) Switch Assy, Toggle, Direction	1
	10	1203787	(30000000- 40000000) Housing, Handle, Cntrl, Top	1
	11	1205781	(30000000- 40000000) Spring, Return, Bail	1
	12	1205143	(30000000- 40000000) Shaft Assy, Bail, Handle	1
	13	1203795	(30000000- 40000000) Housing, Handle, Cntrl, Bottom	1
	14	1205799	(30000000- 40000000) Screw, Btn, M5 X 0.8 X 16, 8.8, NI, Torx	2
	15	1205778	(30000000- 40000000) Handle, Bail [Machined]	1
	16	1207004	(30000000- 40000000) Cover, Handle, Cntrl	1
	N/S	1072524	(30000000- 40000000) Harness, Ele [Bail Switch]	1

▽ ASSEMBLY

▲ INCLUDED IN ASSEMBLY

HANDLE GROUP, T300e PUSH MODEL

355327



HANDLE GROUP, T300e PUSH MODEL

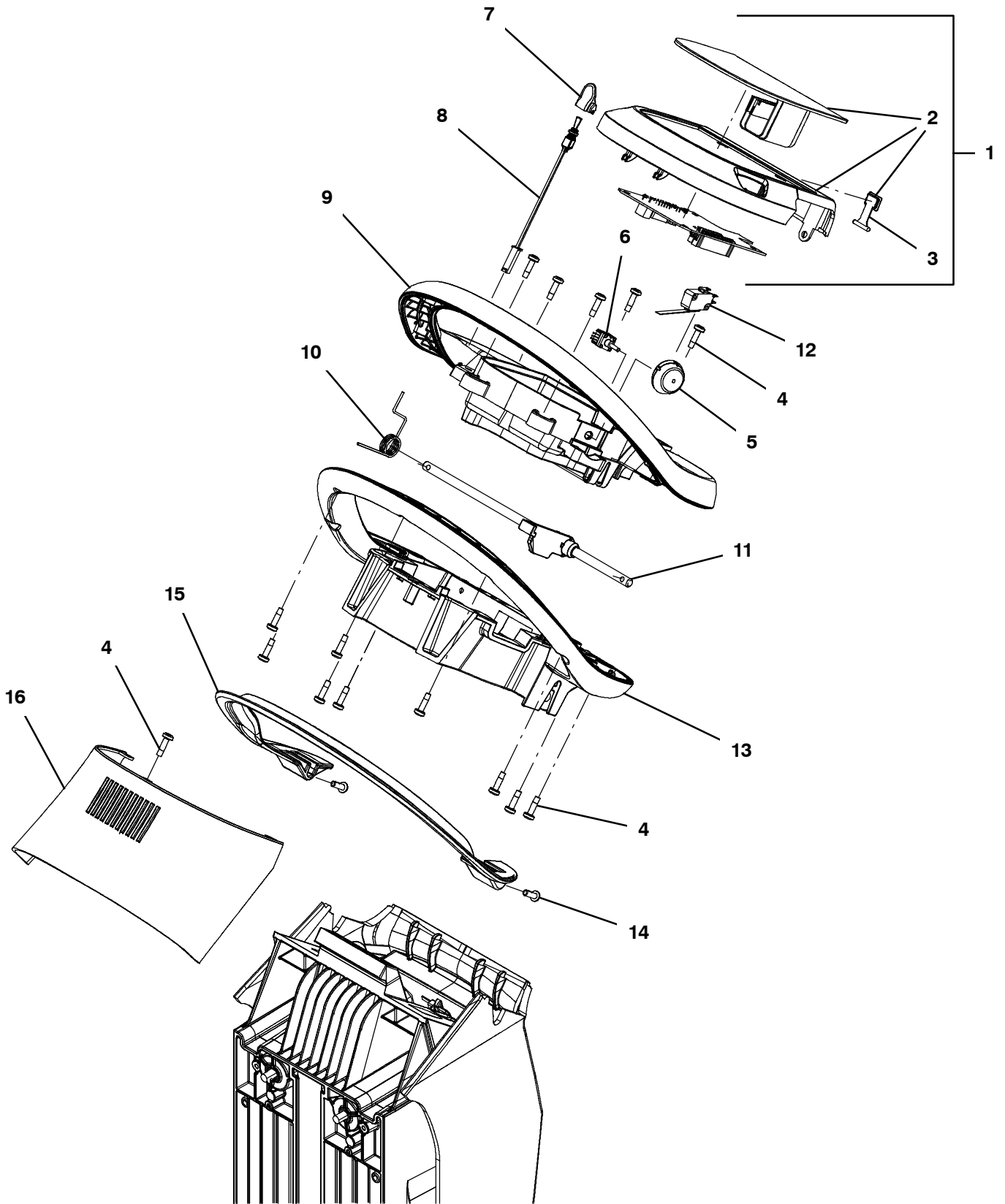
Ref.	Part No.	Serial Number	Description	Qty.
▽	1	9014130	(30000000- 40000000) Bezel Kit, Push, Membrane, Ci [T300e/Ss]	1
▲▽	2	9014136	(30000000- 40000000) Screen Kit, Push, Memb., Ci [T300e/Ss]	1
▲▲	3	1205618	(30000000- 40000000) Cap, Usb	1
	4	1043573	(30000000- 40000000) Screw, #10- 14 X 0.675, Spl[Shcs,Selftap]	15
	5	1205323	(30000000- 40000000) Switch, 0.1a, Spdt [Micro, Straight]	1
	6	1203787	(30000000- 40000000) Housing, Handle, Cntrl, Top	1
	7	1205781	(30000000- 40000000) Spring, Return, Bail	1
	8	1205143	(30000000- 40000000) Shaft Assy, Bail, Handle	1
	9	1203795	(30000000- 40000000) Housing, Handle, Cntrl, Bottom	1
	10	1205799	(30000000- 40000000) Screw, Btn, M5 X 0.8 X 16, 8.8, NI, Torx	2
	11	1205778	(30000000- 40000000) Handle, Bail [Machined]	1
	12	1207004	(30000000- 40000000) Cover, Handle, Cntrl	1
	N/S	1072524	(30000000- 40000000) Harness, Ele [Bail Switch]	1

▽ ASSEMBLY

▲ INCLUDED IN ASSEMBLY

HANDLE GROUP, T300 MEMBRANE PROPEL MODEL

355324



HANDLE GROUP, T300 MEMBRANE PROPEL MODEL

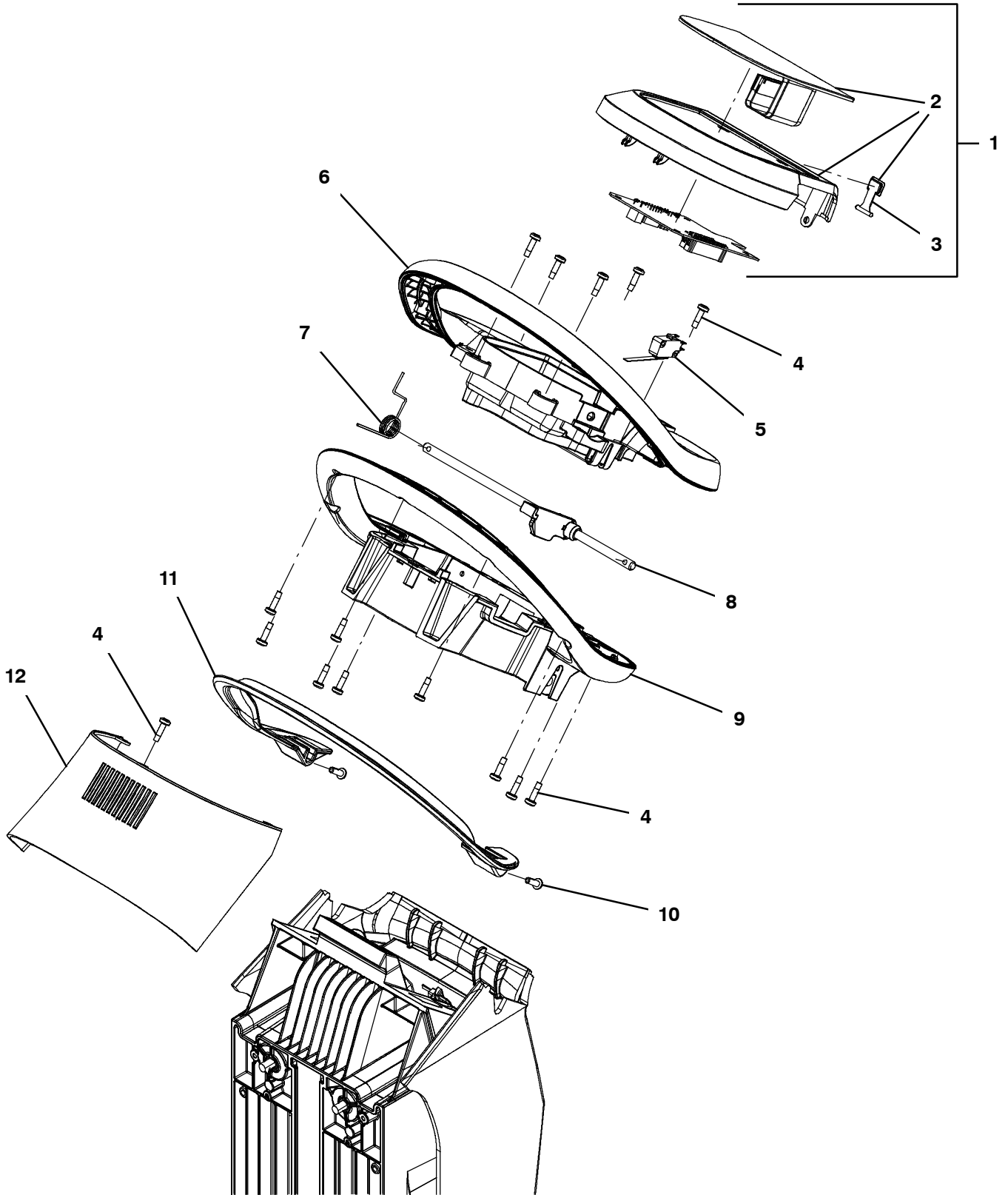
Ref.	Part No.	Serial Number	Description	Qty.
▽	1	9014133	(30000000- 40000000) Bezel Kit, Propel, Membrane, Ci [T300]	1
▲▽	2	9014139	(30000000- 40000000) Screen Kit, Propel, Membrane, Ci [T300]	1
▲▲	3	1205618	(30000000- 40000000) Cap, Usb	1
	4	1043573	(30000000- 40000000) Screw, #10- 14 X 0.675, Spl[Shcs,Selftap]	15
	5	1206586	(30000000- 40000000) Dial, Range, Speed	1
	6	1204930	(30000000- 40000000) Potentiometer [100k, 1 Turn, B5/B7]	1
	7	1209730	(30000000- 40000000) Cap, Toggle, Direction	1
	8	1209673	(30000000- 40000000) Switch Assy, Toggle, Direction	1
	9	1203787	(30000000- 40000000) Housing, Handle, Cntrl, Top	1
	10	1205781	(30000000- 40000000) Spring, Return, Bail	1
	11	1205143	(30000000- 40000000) Shaft Assy, Bail, Handle	1
	12	1205323	(30000000- 40000000) Switch, 0.1a, Spdt [Micro, Straight]	1
	13	1203795	(30000000- 40000000) Housing, Handle, Cntrl, Bottom	1
	14	1205799	(30000000- 40000000) Screw, Btn, M5 X 0.8 X 16, 8.8, NI, Torx	2
	15	1205778	(30000000- 40000000) Handle, Bail [Machined]	1
	16	1207004	(30000000- 40000000) Cover, Handle, Cntrl	1
	N/S	1072524	(30000000- 40000000) Harness, Ele [Bail Switch]	1

▽ ASSEMBLY

▲ INCLUDED IN ASSEMBLY

HANDLE GROUP, T300 MEMBRANE PUSH MODEL

355325



HANDLE GROUP, T300 MEMBRANE PUSH MODEL

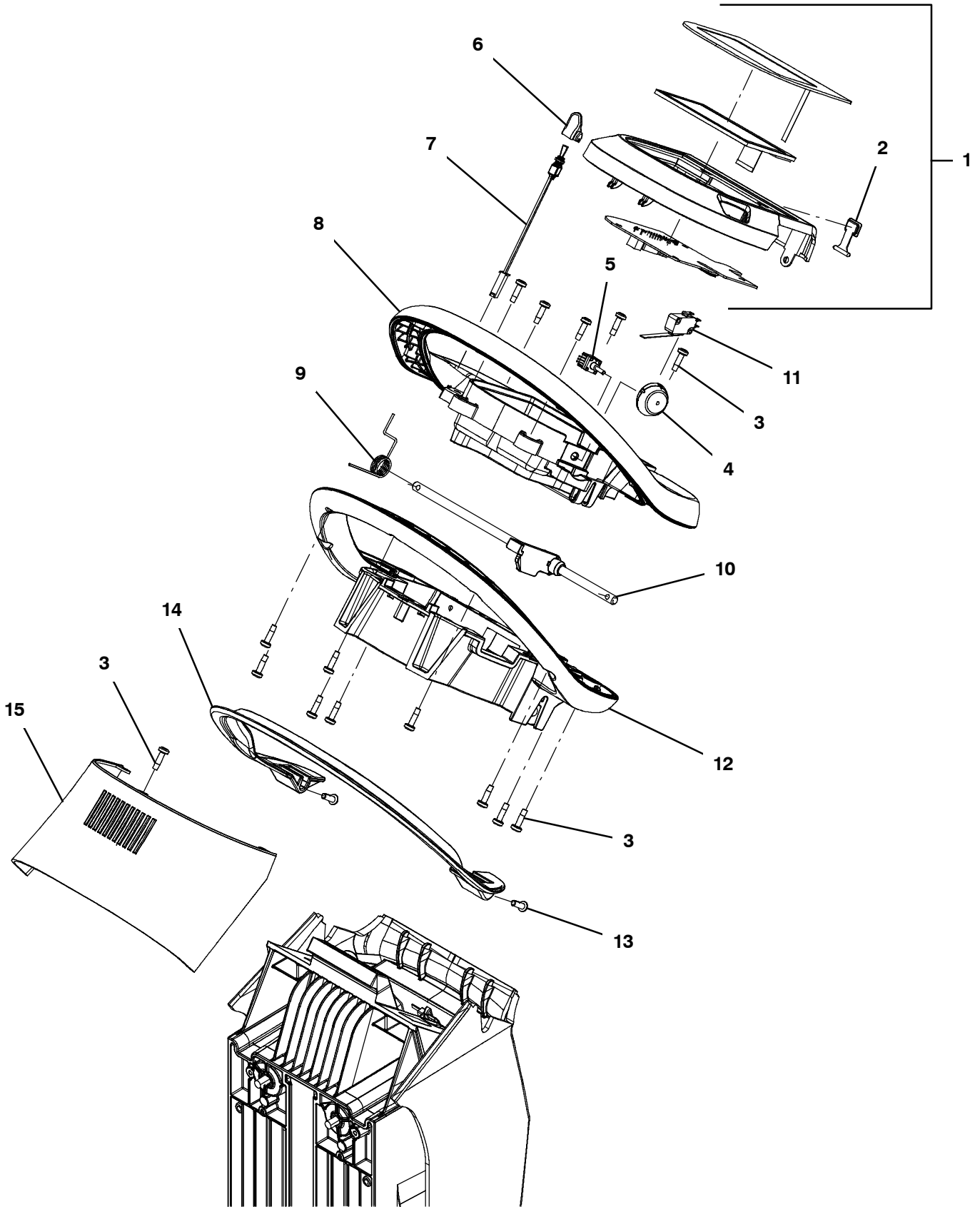
Ref.	Part No.	Serial Number	Description	Qty.
▽	1	9014132	(30000000- 40000000) Bezel Kit, Push, Membrane, Ci [T300]	1
▲▽	2	9014138	(30000000- 40000000) Screen Kit, Push, Membrane, Ci [T300]	1
▲▲	3	1205618	(30000000- 40000000) Cap, Usb	1
	4	1043573	(30000000- 40000000) Screw, #10- 14 X 0.675, Spl[Shcs,Selftap]	15
	5	1205323	(30000000- 40000000) Switch, 0.1a, Spdt [Micro, Straight]	1
	6	1203787	(30000000- 40000000) Housing, Handle, Cntrl, Top	1
	7	1205781	(30000000- 40000000) Spring, Return, Bail	1
	8	1205143	(30000000- 40000000) Shaft Assy, Bail, Handle	1
	9	1203795	(30000000- 40000000) Housing, Handle, Cntrl, Bottom	1
	10	1205799	(30000000- 40000000) Screw, Btn, M5 X 0.8 X 16, 8.8, NI, Torx	2
	11	1205778	(30000000- 40000000) Handle, Bail [Machined]	1
	12	1207004	(30000000- 40000000) Cover, Handle, Cntrl	1
	N/S	1072524	(30000000- 40000000) Harness, Ele [Bail Switch]	1

▽ ASSEMBLY

▲ INCLUDED IN ASSEMBLY

HANDLE GROUP, T300 PRO- PANEL (LCD) PROPEL MODEL

355322



HANDLE GROUP, T300 PRO- PANEL (LCD) PROPEL MODEL

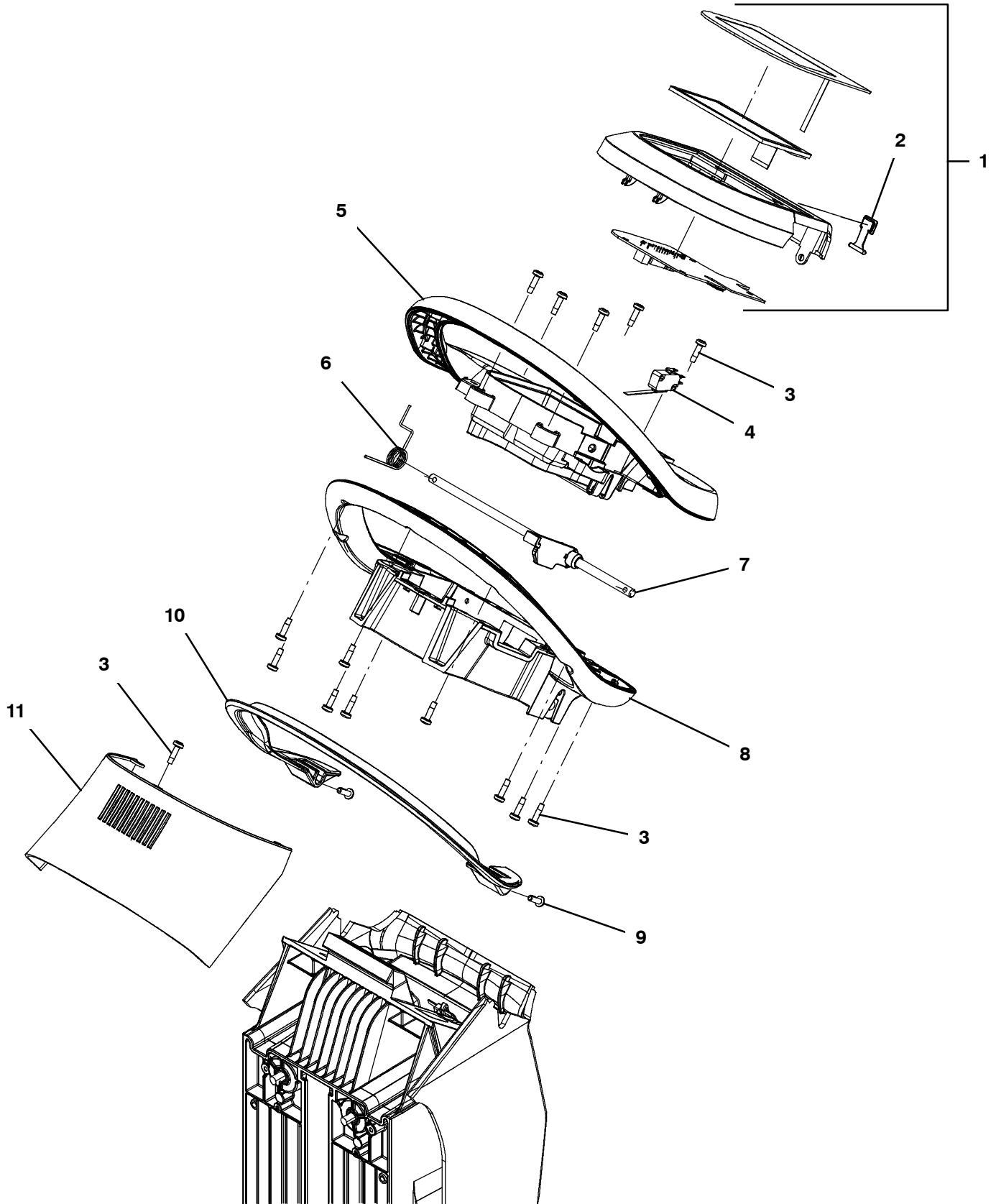
Ref.	Part No.	Serial Number	Description	Qty.
▽	1	9014135	(30000000- 40000000) Bezel Kit, Propel, Lcd, Ci [T300]	1
▲	2	1205618	(30000000- 40000000) Cap, Usb	1
	3	1043573	(30000000- 40000000) Screw, #10- 14 X 0.675, Spl[Shcs,Selftap]	15
	4	1206586	(30000000- 40000000) Dial, Range, Speed	1
	5	1204930	(30000000- 40000000) Potentiometer [100k, 1 Turn, B5/B7]	1
	6	1209730	(30000000- 40000000) Cap, Toggle, Direction	1
	7	1209673	(30000000- 40000000) Switch Assy, Toggle, Direction	1
	8	1203787	(30000000- 40000000) Housing, Handle, Cntrl, Top	1
	9	1205781	(30000000- 40000000) Spring, Return, Bail	1
	10	1205143	(30000000- 40000000) Shaft Assy, Bail, Handle	1
	11	1205323	(30000000- 40000000) Switch, 0.1a, Spdt [Micro, Straight]	1
	12	1203795	(30000000- 40000000) Housing, Handle, Cntrl, Bottom	1
	13	1205799	(30000000- 40000000) Screw, Btn, M5 X 0.8 X 16, 8.8, NI, Torx	2
	14	1205778	(30000000- 40000000) Handle, Bail [Machined]	1
	15	1207004	(30000000- 40000000) Cover, Handle, Cntrl	1
	N/S	1072524	(30000000- 40000000) Harness, Ele [Bail Switch]	1

▽ ASSEMBLY

▲ INCLUDED IN ASSEMBLY

HANDLE GROUP, T300 PRO-PANEL (LCD) PUSH MODEL

355323



HANDLE GROUP, T300 PRO- PANEL (LCD) PUSH MODEL

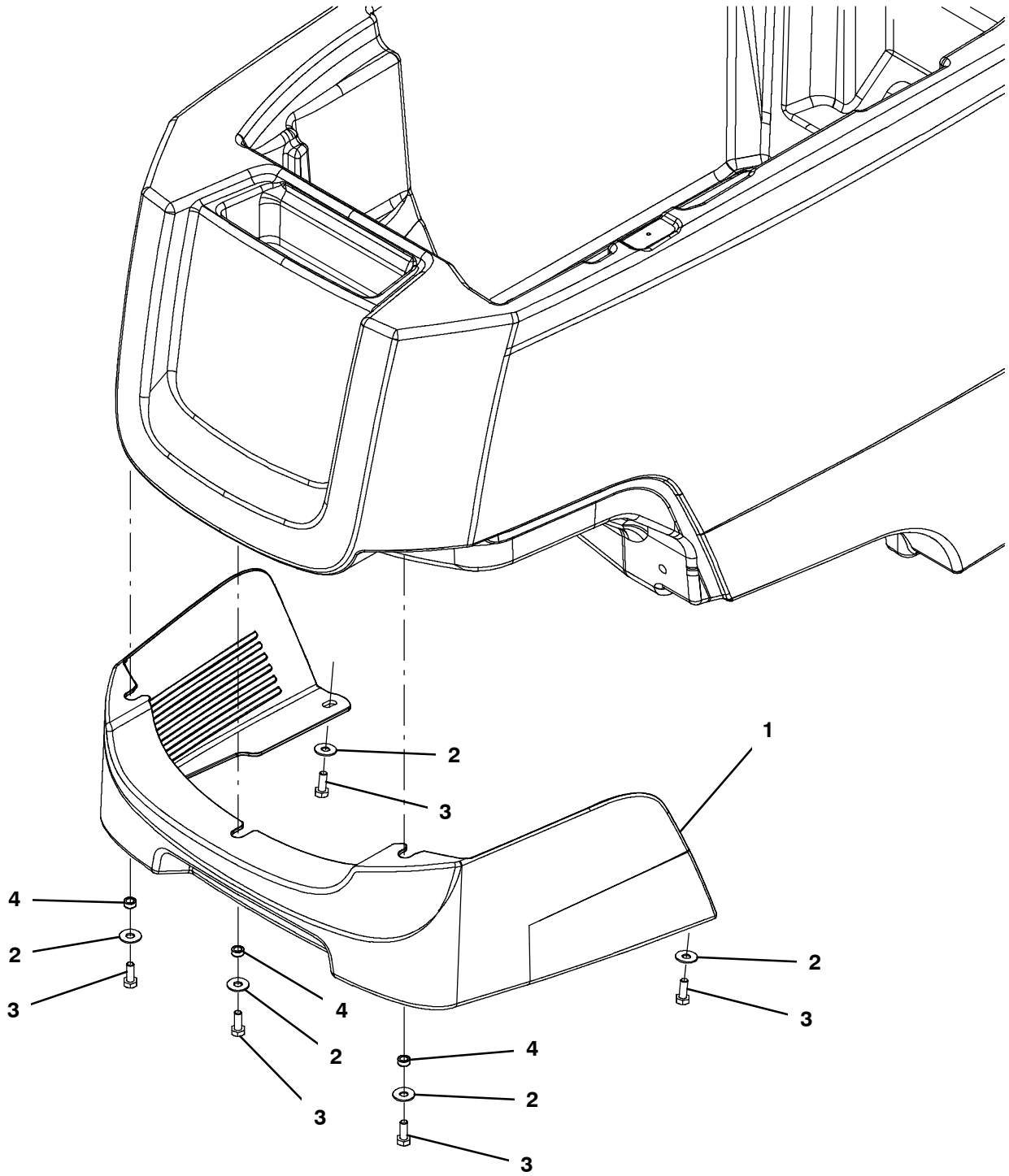
Ref.	Part No.	Serial Number	Description	Qty.
▽	1	9014134	(30000000- 40000000) Bezel Kit, Push, Lcd, Ci [T300]	1
▲	2	1205618	(30000000- 40000000) Cap, Usb	1
	3	1043573	(30000000- 40000000) Screw, #10- 14 X 0.675, Spl[Shcs,Selftap]	15
	4	1205323	(30000000- 40000000) Switch, 0.1a, Spdt [Micro, Straight]	1
	5	1203787	(30000000- 40000000) Housing, Handle, Cntrl, Top	1
	6	1205781	(30000000- 40000000) Spring, Return, Bail	1
	7	1205143	(30000000- 40000000) Shaft Assy, Bail, Handle	1
	8	1203795	(30000000- 40000000) Housing, Handle, Cntrl, Bottom	1
	9	1205799	(30000000- 40000000) Screw, Btn, M5 X 0.8 X 16, 8.8, NI, Torx	2
	10	1205778	(30000000- 40000000) Handle, Bail [Machined]	1
	11	1207004	(30000000- 40000000) Cover, Handle, Cntrl	1
	N/S	1072524	(30000000- 40000000) Harness, Ele [Bail Switch]	1

▽ ASSEMBLY

▲ INCLUDED IN ASSEMBLY

SHROUD GROUP, DISK AND ORBITAL HEAD

355299

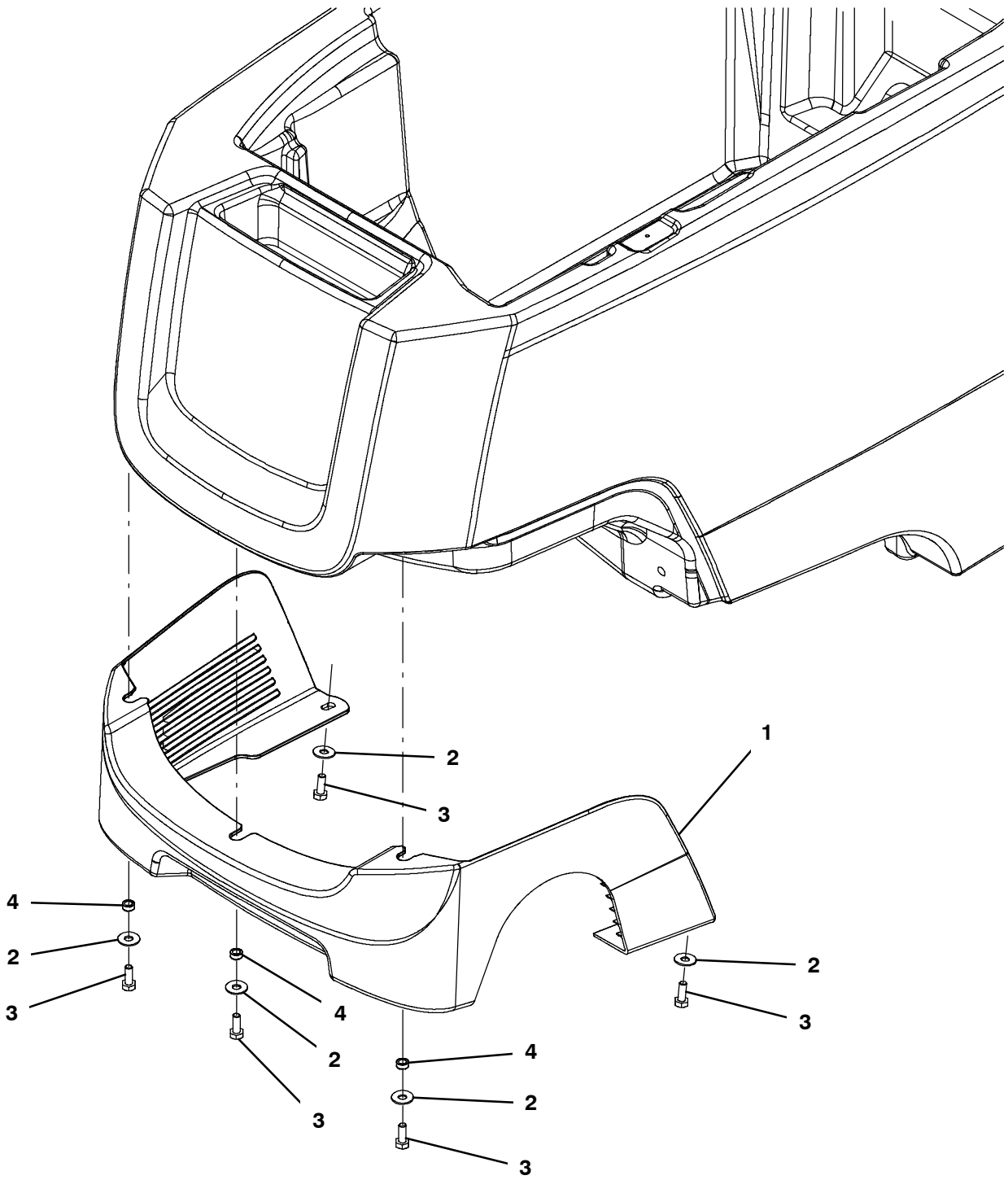


SHROUD GROUP, DISK AND ORBITAL HEAD

Ref.	Part No.	Serial Number	Description	Qty.
1	1210029	(30000000- 40000000)	Cover, Head, Disk, Im-Hg [T300]	1
2	01684	(30000000- 40000000)	Washer, Flat, 0.27b 0.69d .05, Ss	5
3	11329	(30000000- 40000000)	Screw, Hex, M6 X 1.00 X 16, NI, Ss	5
4	80491	(30000000- 40000000)	Sleeve, P/M, 0.25b 0.38d 0.2l [430ss]	3

SHROUD GROUP, CYLINDRICAL HEAD

355300

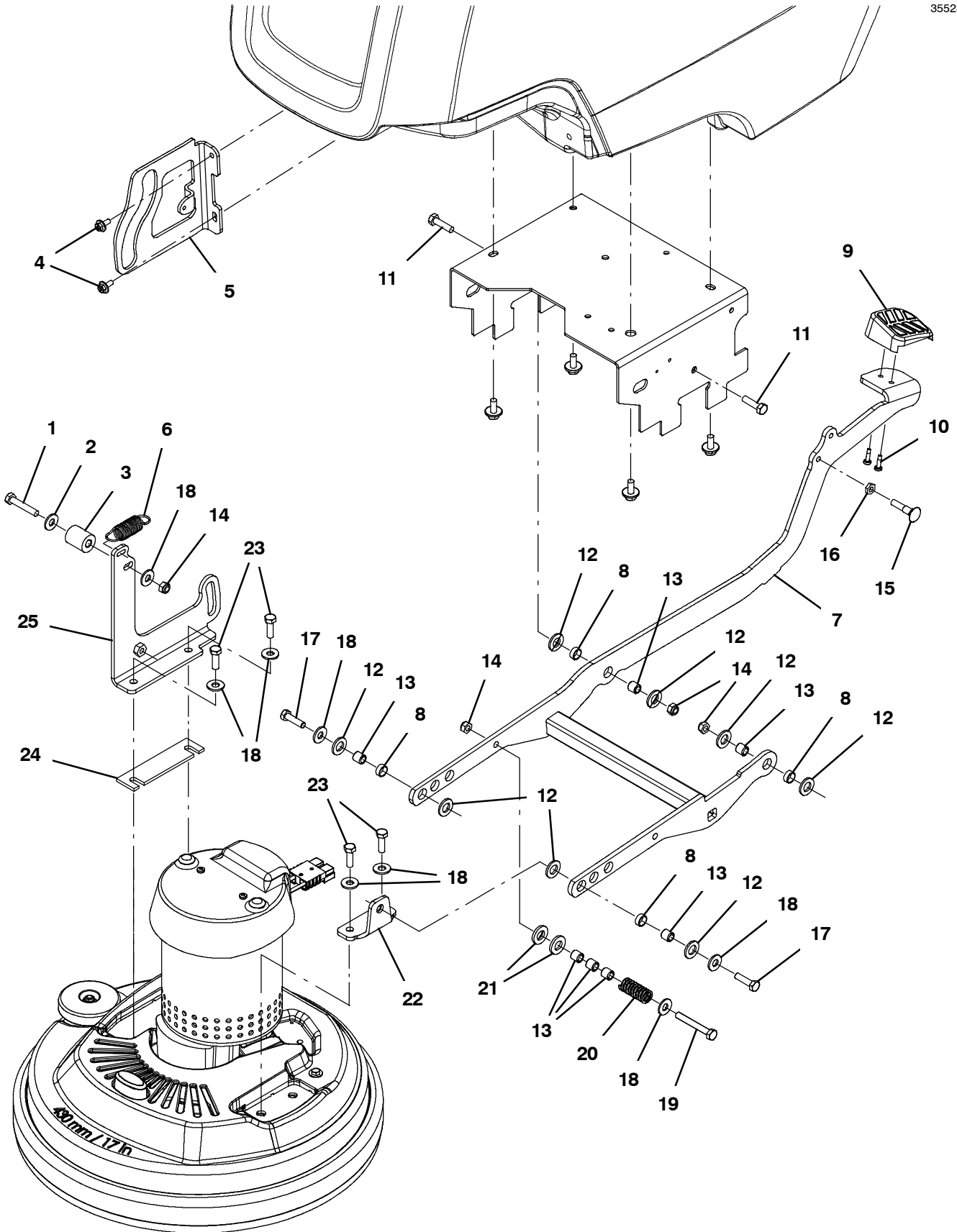


SHROUD GROUP, CYLINDRICAL HEAD

Ref.	Part No.	Serial Number	Description	Qty.
1	1213570	(30000000- 40000000)	Cover, Head, Cylrcl, Im- Hg [T300]	1
2	01684	(30000000- 40000000)	Washer, Flat, 0.27b 0.69d .05, Ss	5
3	11329	(30000000- 40000000)	Screw, Hex, M6 X 1.00 X 16, NI, Ss	5
4	80491	(30000000- 40000000)	Sleeve, P/M, 0.25b 0.38d 0.2l [430ss]	3

SCRUB HEAD LIFT GROUP, 43CM DISK MODEL

355285



SCRUB HEAD LIFT GROUP, 43CM DISK MODEL

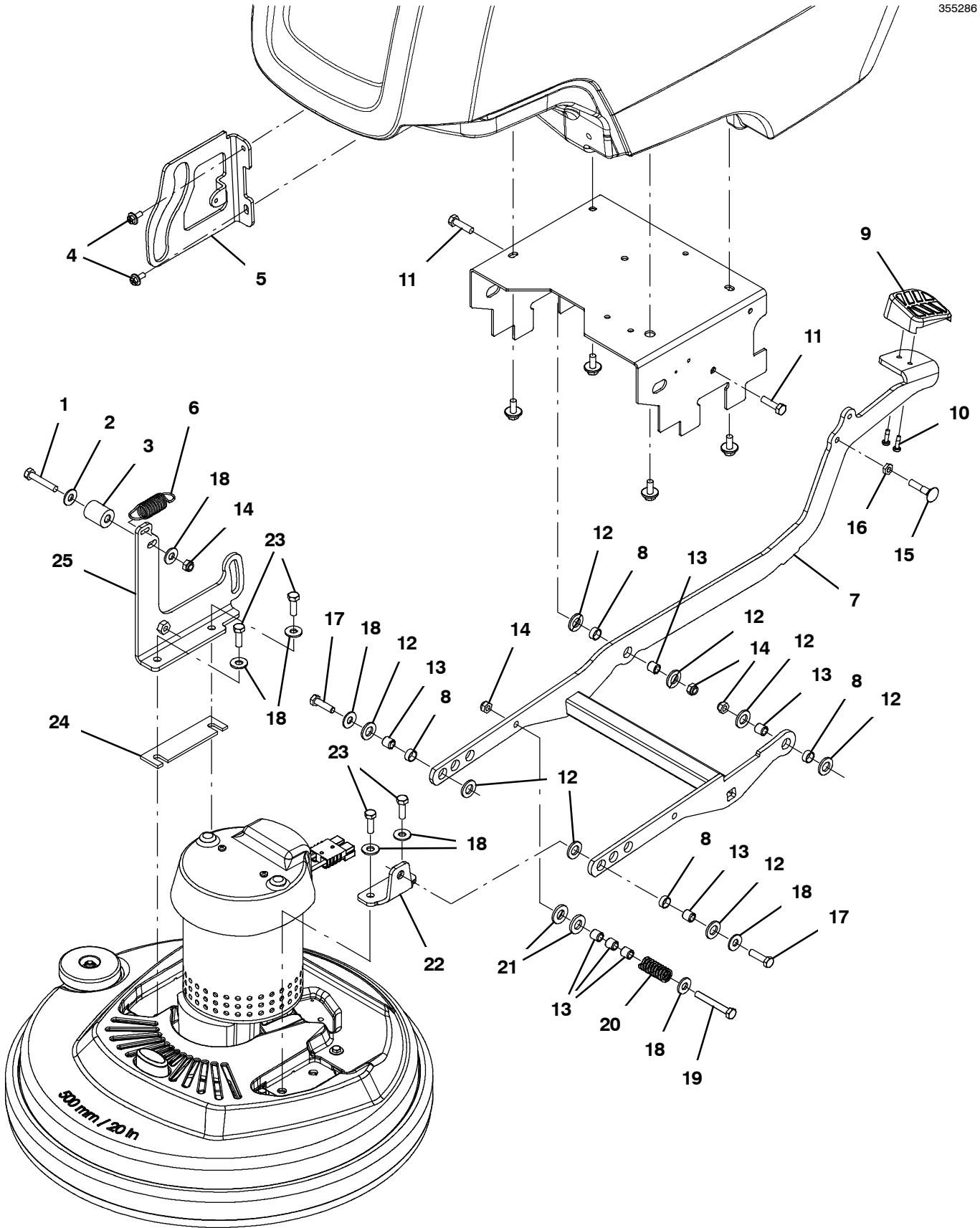
Ref.	Part No.	Serial Number	Description	Qty.	
1	49694	(30000000- 40000000)	Screw, Hex, M8 X 1.25 X 50, Ss	1	
2	01685	(30000000- 40000000)	Washer, Flat, 0.38b 0.88d .08, Ss	1	
3	1214039	(30000000- 40000000)	Roller, Lift, Head	1	
4	1034731	(30000000- 40000000)	Screw, Hex, M6 X 1.00 X 16, Sems, Ss	2	
5	1213063	(30000000- 40000000)	Bracket, Guide, Head [Vw]	1	
6	1032420	(30000000- 40000000)	Spring, Extn, 0.85od 0.09wir 02.9l	1	
▽	7	9014170	(30000000- 40000000)	Kit, Lift, Head[T300/T300e/Ss300]	1
▲	8	630188	(30000000- 40000000)	Bearing, Journal, .50id X .25l	8
9	1209093	(30000000- 40000000)	Cover, Pedal	1	
10	1043573	(30000000- 40000000)	Screw, #10- 14 X 0.675, Spl[Shcs,Selftap]	2	
11	09011	(30000000- 40000000)	Screw, Hex, M8 X 1.25 X 30, Ss	2	
12	1013936	(30000000- 40000000)	Washer, Flat, 0.51b 0.94d .10, Nyl	8	
13	222460	(30000000- 40000000)	Sleeve, P/M, 0.32b 0.50d 0.5l [430ss]	7	
14	08713	(30000000- 40000000)	Nut, Hex, Lock, M8 X 1.25, NI, Ss	4	
15	69915	(30000000- 40000000)	Bolt, Carriage, M8 X 1.25 X 40	1	
16	200101017	(30000000- 40000000)	Nut, Hex, Jam, M8 X 1.25	1	
17	1016399	(30000000- 40000000)	Screw, Hex, M8 X 1.25 X 30, NI, Ss	2	
18	01685	(30000000- 40000000)	Washer, Flat, 0.38b 0.88d .08, Ss	8	
19	1014163	(30000000- 40000000)	Screw, Hex, M8 X 1.25 X 60, Fl, Ss	1	
20	140430	(30000000- 40000000)	Spring, Cmpr, 0.70od .10wir 01.7l	1	
21	140127	(30000000- 40000000)	Washer, Thrust, 0.51b 1.00d 0.12w, Brz	2	
22	1210258	(30000000- 40000000)	Bracket Wldt, Head Mtg, 43d/50d, Short	1	
23	12333	(30000000- 40000000)	Screw, Hex, M8 X 1.25 X 25, Ss, NI	4	
24	1032791	(30000000- 40000000)	Spacer, Head, 4mm [Ss3] (Push Model)	1	
25	1210256	(30000000- 40000000)	Bracket Wldt, Mtg, Head, 50d, Tall [Vw]	1	

▽ ASSEMBLY

▲ INCLUDED IN ASSEMBLY

SCRUB HEAD LIFT GROUP, 50CM DISK MODEL

355286



SCRUB HEAD LIFT GROUP, 50CM DISK MODEL

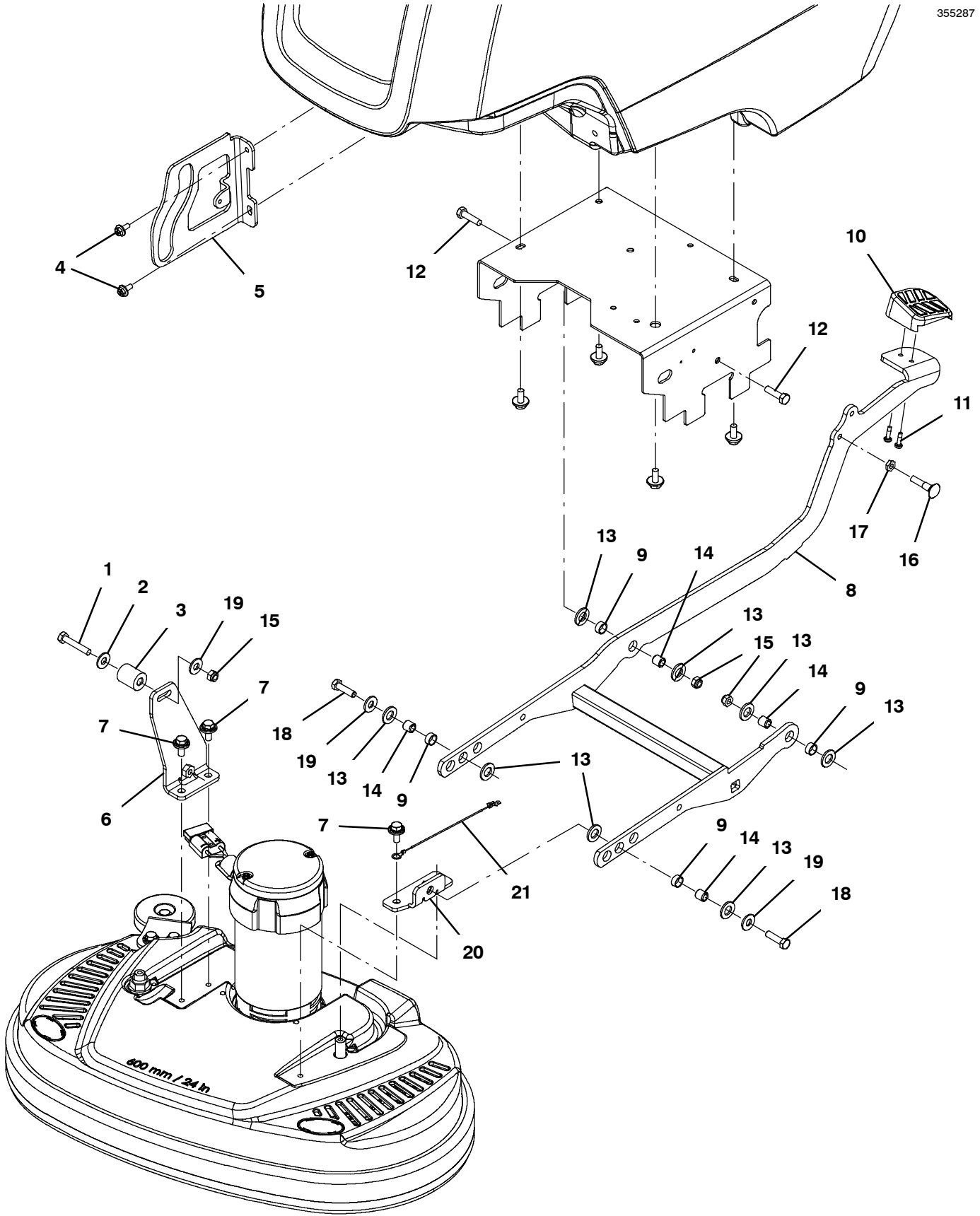
Ref.	Part No.	Serial Number	Description	Qty.	
1	49694	(30000000- 40000000)	Screw, Hex, M8 X 1.25 X 50, Ss	1	
2	01685	(30000000- 40000000)	Washer, Flat, 0.38b 0.88d .08, Ss	1	
3	1214039	(30000000- 40000000)	Roller, Lift, Head	1	
4	1034731	(30000000- 40000000)	Screw, Hex, M6 X 1.00 X 16, Sems, Ss	2	
5	1213063	(30000000- 40000000)	Bracket, Guide, Head [Vw]	1	
6	1032420	(30000000- 40000000)	Spring, Extn, 0.85od 0.09wir 02.9l	1	
▽	7	9014170	(30000000- 40000000)	Kit, Lift, Head[T300/T300e/Ss300]	1
▲	8	630188	(30000000- 40000000)	Bearing, Journal, .50id X .25l	8
9	1209093	(30000000- 40000000)	Cover, Pedal	1	
10	1043573	(30000000- 40000000)	Screw, #10- 14 X 0.675, Spl[Shcs,Selftap]	2	
11	09011	(30000000- 40000000)	Screw, Hex, M8 X 1.25 X 30, Ss	2	
12	1013936	(30000000- 40000000)	Washer, Flat, 0.51b 0.94d .10, Nyl	8	
13	222460	(30000000- 40000000)	Sleeve, P/M, 0.32b 0.50d 0.5l [430ss]	7	
14	08713	(30000000- 40000000)	Nut, Hex, Lock, M8 X 1.25, NI, Ss	4	
15	69915	(30000000- 40000000)	Bolt, Carriage, M8 X 1.25 X 40	1	
16	200101017	(30000000- 40000000)	Nut, Hex, Jam, M8 X 1.25	1	
17	1016399	(30000000- 40000000)	Screw, Hex, M8 X 1.25 X 30, NI, Ss	2	
18	01685	(30000000- 40000000)	Washer, Flat, 0.38b 0.88d .08, Ss	8	
19	1014163	(30000000- 40000000)	Screw, Hex, M8 X 1.25 X 60, Fl, Ss	1	
20	140430	(30000000- 40000000)	Spring, Cmpr, 0.70od .10wir 01.7l	1	
21	140127	(30000000- 40000000)	Washer, Thrust, 0.51b 1.00d 0.12w, Brz	2	
22	1210258	(30000000- 40000000)	Bracket Wldt, Head Mtg, 43d/50d, Short	1	
23	12333	(30000000- 40000000)	Screw, Hex, M8 X 1.25 X 25, Ss, NI	4	
24	1032791	(30000000- 40000000)	Spacer, Head, 4mm [Ss3] (Push Model)	1	
25	1210256	(30000000- 40000000)	Bracket Wldt, Mtg, Head, 50d, Tall [Vw]	1	

▽ ASSEMBLY

▲ INCLUDED IN ASSEMBLY

SCRUB HEAD LIFT GROUP, 60CM DUAL DISK MODEL

355287



SCRUB HEAD LIFT GROUP, 60CM DUAL DISK MODEL

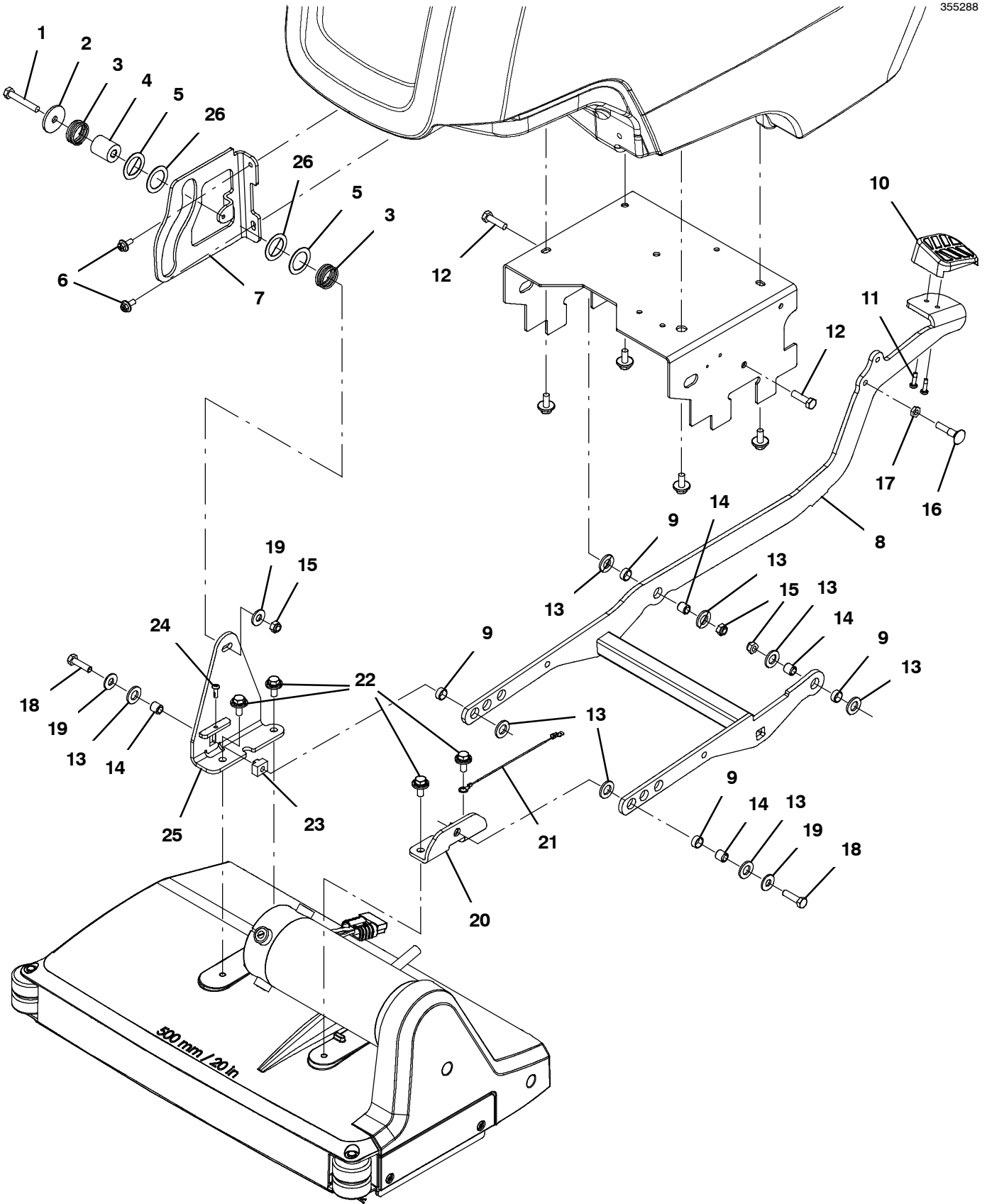
Ref.	Part No.	Serial Number	Description	Qty.	
1	49694	(30000000- 40000000)	Screw, Hex, M8 X 1.25 X 50, Ss	1	
2	01685	(30000000- 40000000)	Washer, Flat, 0.38b 0.88d .08, Ss	1	
3	1214039	(30000000- 40000000)	Roller, Lift, Head	1	
4	1034731	(30000000- 40000000)	Screw, Hex, M6 X 1.00 X 16, Sems, Ss	2	
5	1213063	(30000000- 40000000)	Bracket, Guide, Head [Vw]	1	
6	1213220	(30000000- 40000000)	Bracket Wldt, Mtg, Head, 60dd, Tail [Vw]	1	
7	1020341	(30000000- 40000000)	Screw, Hex, M8 X 1.25 X 20, Ss, Sems	3	
▽	8	9014170	(30000000- 40000000)	Kit, Lift, Head[T300/T300e/Ss300]	1
▲	9	630188	(30000000- 40000000)	Bearing, Journal, .50id X .25l	8
10	1209093	(30000000- 40000000)	Cover, Pedal	1	
11	1043573	(30000000- 40000000)	Screw, #10- 14 X 0.675, Spl[Shcs,Selftap]	2	
12	09011	(30000000- 40000000)	Screw, Hex, M8 X 1.25 X 30, Ss	2	
13	1013936	(30000000- 40000000)	Washer, Flat, 0.51b 0.94d .10, Nyl	8	
14	222460	(30000000- 40000000)	Sleeve, P/M, 0.32b 0.50d 0.5l [430ss]	4	
15	08713	(30000000- 40000000)	Nut, Hex, Lock, M8 X 1.25, NI, Ss	3	
16	69915	(30000000- 40000000)	Bolt, Carriage, M8 X 1.25 X 40	1	
17	200101017	(30000000- 40000000)	Nut, Hex, Jam, M8 X 1.25	1	
18	1016399	(30000000- 40000000)	Screw, Hex, M8 X 1.25 X 30, NI, Ss	2	
19	01685	(30000000- 40000000)	Washer, Flat, 0.38b 0.88d .08, Ss	3	
20	1213224	(30000000- 40000000)	Bracket Wldt, Mtg, Head, 60dd, Short[Vw]	1	
21	1074344	(30000000- 40000000)	Harness, Ele [Ring With .250m Tail]	1	

▽ ASSEMBLY

▲ INCLUDED IN ASSEMBLY

SCRUB HEAD LIFT GROUP, 50CM CYLINDRICAL MODEL

355288



SCRUB HEAD LIFT GROUP, 50CM CYLINDRICAL MODEL

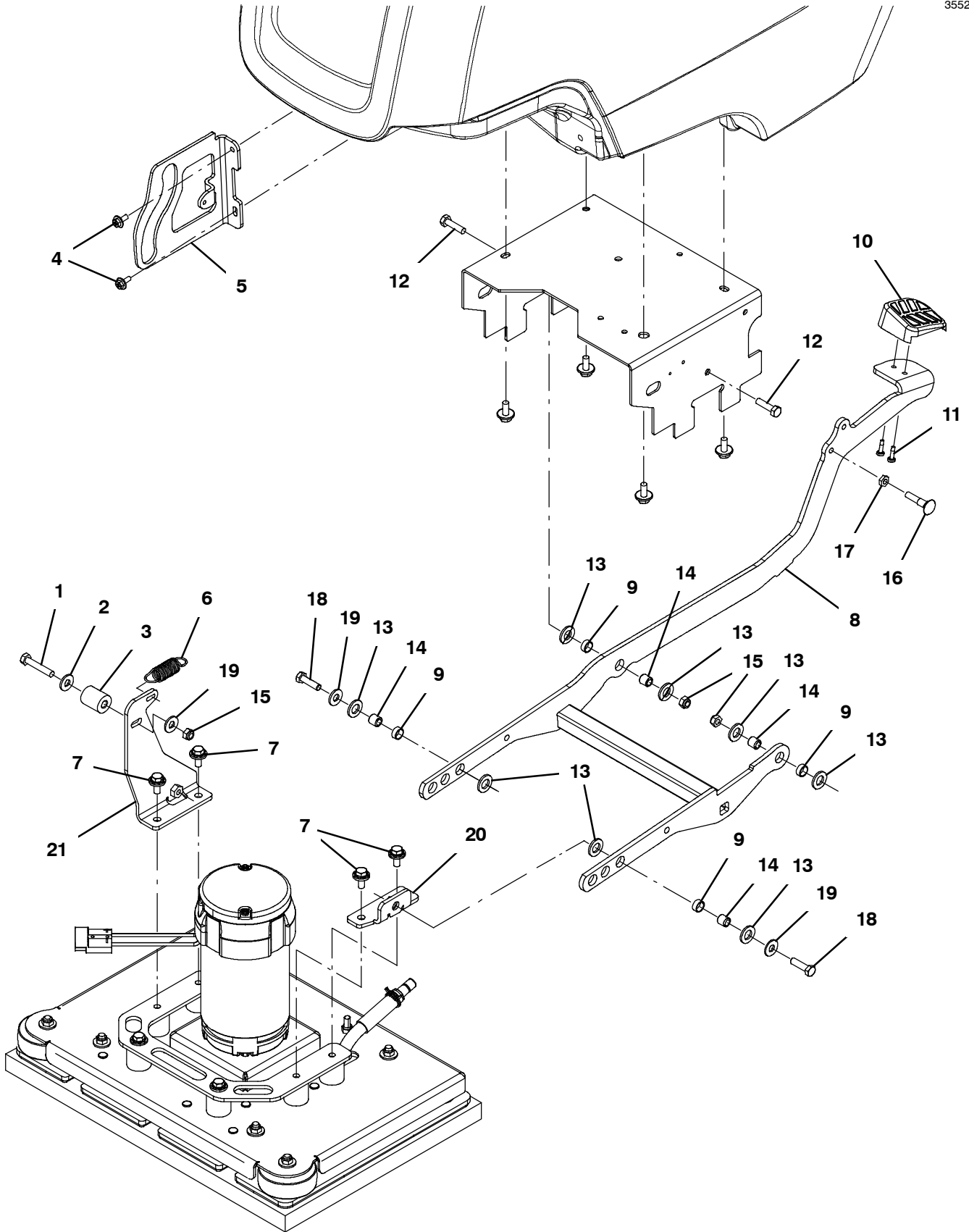
Ref.	Part No.	Serial Number	Description	Qty.	
1	49694	(30000000- 40000000)	Screw, Hex, M8 X 1.25 X 50, Ss	1	
2	379829	(30000000- 40000000)	Washer, Flat, 0.34b 1.50d .12, Stl, Pl	1	
3	1210103	(30000000- 40000000)	Spring, Cmpr, 1.23od 0.085wir 0.88l	2	
4	1214039	(30000000- 40000000)	Roller, Lift, Head	1	
5	20955	(30000000- 40000000)	Washer, Flat, 1.03b 1.50d .04, Stl, Pl	2	
6	1034731	(30000000- 40000000)	Screw, Hex, M6 X 1.00 X 16, Sems, Ss	2	
7	1213063	(30000000- 40000000)	Bracket, Guide, Head [Vw]	1	
▽	8	9014170	(30000000- 40000000)	Kit, Lift, Head[T300/T300e/Ss300]	1
▲	9	630188	(30000000- 40000000)	Bearing, Journal, .50id X .25l	8
10	1209093	(30000000- 40000000)	Cover, Pedal	1	
11	1043573	(30000000- 40000000)	Screw, #10- 14 X 0.675, Spl[Shcs,Selftap]	2	
12	09011	(30000000- 40000000)	Screw, Hex, M8 X 1.25 X 30, Ss	2	
13	1013936	(30000000- 40000000)	Washer, Flat, 0.51b 0.94d .10, Nyl	8	
14	222460	(30000000- 40000000)	Sleeve, P/M, 0.32b 0.50d 0.5l [430ss]	4	
15	08713	(30000000- 40000000)	Nut, Hex, Lock, M8 X 1.25, NI, Ss	3	
16	69915	(30000000- 40000000)	Bolt, Carriage, M8 X 1.25 X 40	1	
17	200101017	(30000000- 40000000)	Nut, Hex, Jam, M8 X 1.25	1	
18	1016399	(30000000- 40000000)	Screw, Hex, M8 X 1.25 X 30, NI, Ss	2	
19	01685	(30000000- 40000000)	Washer, Flat, 0.38b 0.88d .08, Ss	3	
20	1213226	(30000000- 40000000)	Bracket Wldt, Mtg, Head, 50cyl [Short]	1	
21	1074344	(30000000- 40000000)	Harness, Ele [Ring With .250m Tail]	1	
22	1020341	(30000000- 40000000)	Screw, Hex, M8 X 1.25 X 20, Ss, Sems	4	
23	1208531	(30000000- 40000000)	Nut, T, M8 X 1.25	1	
24	1205799	(30000000- 40000000)	Screw, Btn, M5 X 0.8 X 16, 8.8, NI, Torx	1	
25	1216222	(30000000- 40000000)	Bracket Wldt, Mtg, Head	1	
26	1210112	(30000000- 40000000)	Washer, Flat, 1.03b 1.50d .03, Nylon	2	

▽ ASSEMBLY

▲ INCLUDED IN ASSEMBLY

SCRUB HEAD LIFT GROUP, 50CM ORBITAL MODEL

355289



SCRUB HEAD LIFT GROUP, 50CM ORBITAL MODEL

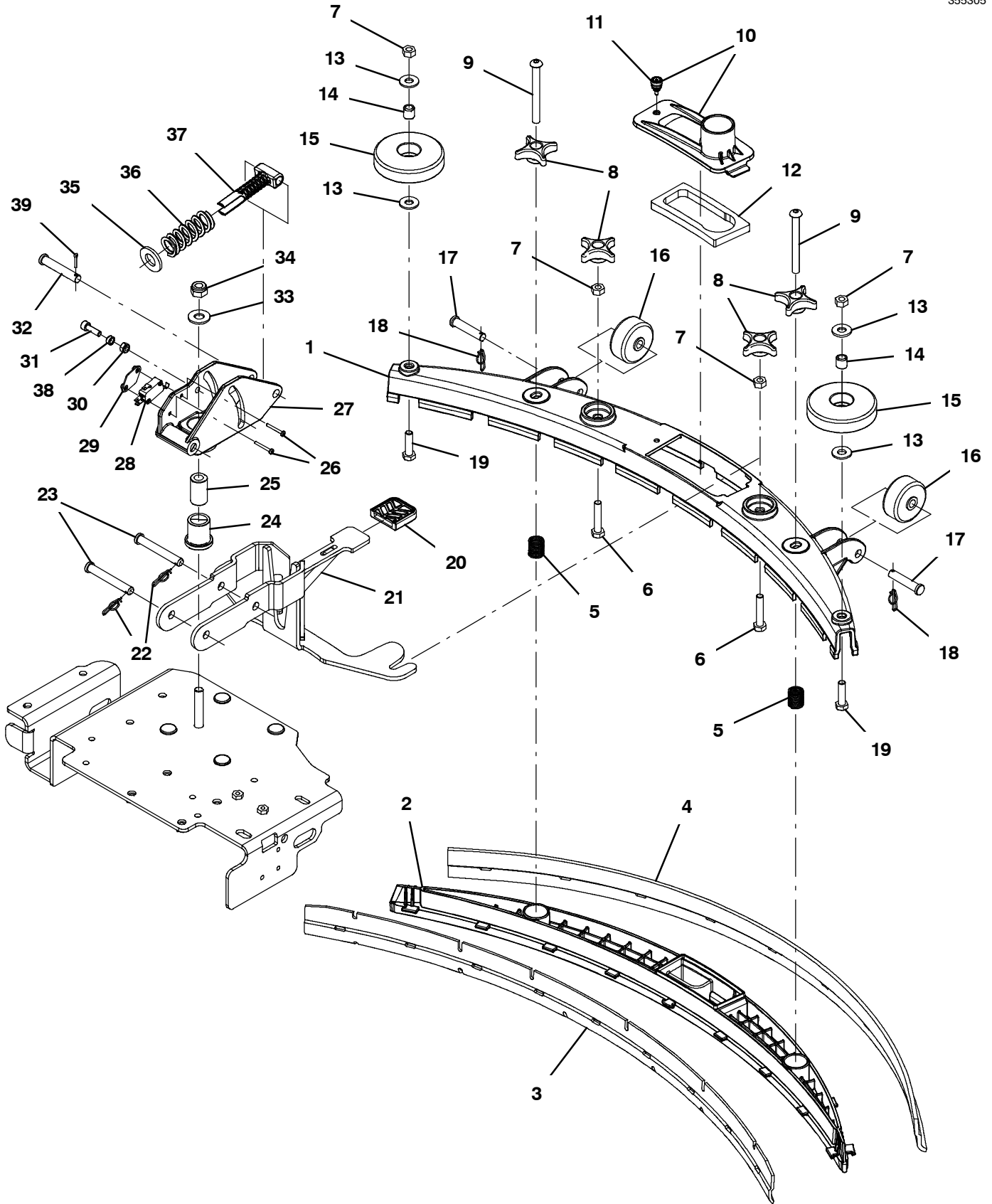
Ref.	Part No.	Serial Number	Description	Qty.	
1	49694	(30000000- 40000000)	Screw, Hex, M8 X 1.25 X 50, Ss	1	
2	01685	(30000000- 40000000)	Washer, Flat, 0.38b 0.88d .08, Ss	1	
3	1214039	(30000000- 40000000)	Roller, Lift, Head	1	
4	1034731	(30000000- 40000000)	Screw, Hex, M6 X 1.00 X 16, Sems, Ss	2	
5	1213063	(30000000- 40000000)	Bracket, Guide, Head [Vw]	1	
6	1032420	(30000000- 40000000)	Spring, Extn, 0.85od 0.09wir 02.9l	1	
7	1020341	(30000000- 40000000)	Screw, Hex, M8 X 1.25 X 20, Ss, Sems	4	
▽	8	9014170	(30000000- 40000000)	Kit, Lift, Head[T300/T300e/Ss300]	1
▲	9	630188	(30000000- 40000000)	Bearing, Journal, .50id X .25l	8
10	1209093	(30000000- 40000000)	Cover, Pedal	1	
11	1043573	(30000000- 40000000)	Screw, #10- 14 X 0.675, Spl[Shcs,Selftap]	2	
12	09011	(30000000- 40000000)	Screw, Hex, M8 X 1.25 X 30, Ss	2	
13	1013936	(30000000- 40000000)	Washer, Flat, 0.51b 0.94d .10, Nyl	8	
14	222460	(30000000- 40000000)	Sleeve, P/M, 0.32b 0.50d 0.5l [430ss]	4	
15	08713	(30000000- 40000000)	Nut, Hex, Lock, M8 X 1.25, NI, Ss	3	
16	69915	(30000000- 40000000)	Bolt, Carriage, M8 X 1.25 X 40	1	
17	200101017	(30000000- 40000000)	Nut, Hex, Jam, M8 X 1.25	1	
18	1016399	(30000000- 40000000)	Screw, Hex, M8 X 1.25 X 30, NI, Ss	2	
19	01685	(30000000- 40000000)	Washer, Flat, 0.38b 0.88d .08, Ss	3	
20	1212572	(30000000- 40000000)	Bracket Wldt, Mtg, Head, Orb, Short [Vw]	1	
21	1213223	(30000000- 40000000)	Bracket Wldt, Mtg, Head, Orb, Tall [Vw]	1	

▽ ASSEMBLY

▲ INCLUDED IN ASSEMBLY

SQUEEGEE GROUP

355305



SQUEEGEE GROUP

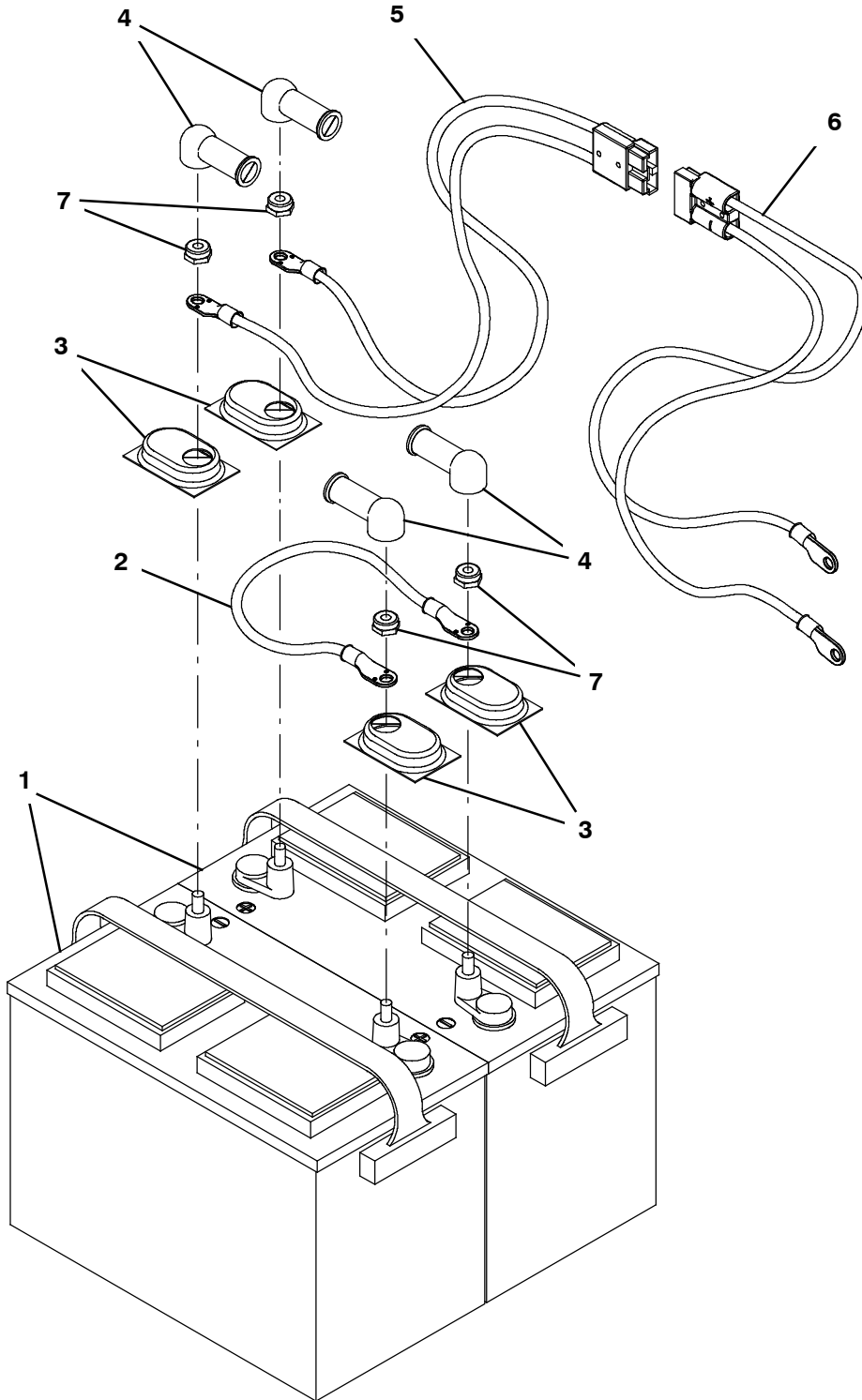
Ref.	Part No.	Serial Number	Description	Qty.
▽	9014172	(30000000- 40000000)	Squeegee Kit, Linatex, Am [T300/E/Ss300]	1
▲	1 1215681	(30000000- 40000000)	Frame, Sqge, 50cm, Mach [T300]	1
▲	2 1203638	(30000000- 40000000)	Retainer, Sqge [T300]	1
▲	3 1203954	(30000000- 40000000)	Blade, Sqge, Front, 788l, Linatex[500mm] (Standard)	1
	3 1215611	(30000000- 40000000)	Blade, Sqge, Front, 788l, Urethane[500mm] (Option)	1
	3 1215612	(30000000- 40000000)	Blade, Sqge, Front, 788l, Gum[500mm] (Option)	1
▲	4 1203953	(30000000- 40000000)	Blade, Sqge, Rear, 836l, Linatex[500mm] (Standard)	1
	4 1215609	(30000000- 40000000)	Blade, Sqge, Rear, 836l, Urethane[500mm] (Option)	1
	4 1215610	(30000000- 40000000)	Blade, Sqge, Rear, 836l, Gum[500mm] (Option)	1
▲	5 22290	(30000000- 40000000)	Spring, Cmpr, 0.72od .06wir 02.3l	2
▲	6 09023	(30000000- 40000000)	Screw, Hex, M8 X 1.25 X 35, Fl, Ss	2
▲	7 07786	(30000000- 40000000)	Nut, Hex, Std, M8 X 1.25, Ss	4
▲	8 1213677	(30000000- 40000000)	Knob, Star, 2.00od 4ear M8x1.25 [Yel]	4
▲	9 1212755	(30000000- 40000000)	Screw, Btn, Soc, M8x1.25x80, Ss	2
▲▽	10 1209631	(30000000- 40000000)	Cover, Trap, Water, Sqge	1
▲▲	11 1212683	(30000000- 40000000)	Screw, Captive, M5, Knurled [Snap In]	1
▲	12 1210756	(30000000- 40000000)	Gasket, Trap, Water, Sqge	1
▲	13 140027	(30000000- 40000000)	Washer, Flat, 0.35b 0.75d .04, Ss	4
▲	14 222460	(30000000- 40000000)	Sleeve, P/M, 0.32b 0.50d 0.5l [430ss]	2
▲	15 1010560	(30000000- 40000000)	Wheel, Bmpr, 80d X 25w, Non- Marking	2
▲	16 630477	(30000000- 40000000)	Wheel, Pyu, 02.0d 0.38w, Gray	2
▲	17 17461	(30000000- 40000000)	Pin, Clevis, 0.37d X 1.75l	2
▲	18 1216647	(30000000- 40000000)	Pin, Cotter, Hair, 0.38d .054 Wir	2
▲	19 1016399	(30000000- 40000000)	Screw, Hex, M8 X 1.25 X 30, NI, Ss	2
	20 1212533	(30000000- 40000000)	Cover, Pedal, Lift	1
	21 1209112	(30000000- 40000000)	Bracket Wldt, Mtg, Sqge [T300]	1
	22 1216647	(30000000- 40000000)	Pin, Cotter, Hair, 0.38d .054 Wir	2
	23 391179	(30000000- 40000000)	Pin, Clevis, 0.37d X 2.62l	2
	24 1214466	(30000000- 40000000)	Bushing, Flng, 0.75b 1.00d 1.25l, Bnz	1
	25 1214467	(30000000- 40000000)	Sleeve, P/M, 0.41b 0.75d 1.3l [430ss]	1
	26 33933	(30000000- 40000000)	Screw, Pan, Phl, M3 X 0.50 X 25, Ss	1
	27 1210254	(30000000- 40000000)	Bracket, Lift, Sqge, Alm, Mach [T300]	1
	28 1215716	(30000000- 40000000)	Switch, 0.1a, Spdt[Micro, Gold Contacts]	1
	29 1013705	(30000000- 40000000)	Plate, Thread, Switch, M3 Nut, 96hr PI	1
	30 08712	(30000000- 40000000)	Nut, Hex, Lock, M6 X 1.00, NI, Ss	1
	31 33951	(30000000- 40000000)	Screw, Soc, M6 X 1.00 X 20, 12.9	1
	32 51813	(30000000- 40000000)	Pin, Clevis, 0.37d X 2.12l	1
	33 01686	(30000000- 40000000)	Washer, Flat, 0.44b 1.00d .08, Ss	1
	34 08714	(30000000- 40000000)	Nut, Hex, Lock, M10 X 1.5, NI, Ss	1
	35 69954	(30000000- 40000000)	Washer, Thrust, 0.63b 1.25d 0.13w	1
	36 1215756	(30000000- 40000000)	Spring, Cmpr, 0.98od .146wir 02.5l	1
	37 1209782	(30000000- 40000000)	Pin, Guide, Spring	1
	38 80491	(30000000- 40000000)	Sleeve, P/M, 0.25b 0.38d 0.2l [430ss]	1
	39 08182	(30000000- 40000000)	Pin, Cotter, .125 X 1.00	1

▽ ASSEMBLY

▲ INCLUDED IN ASSEMBLY

BATTERY GROUP, 105AH C20 WET

355359

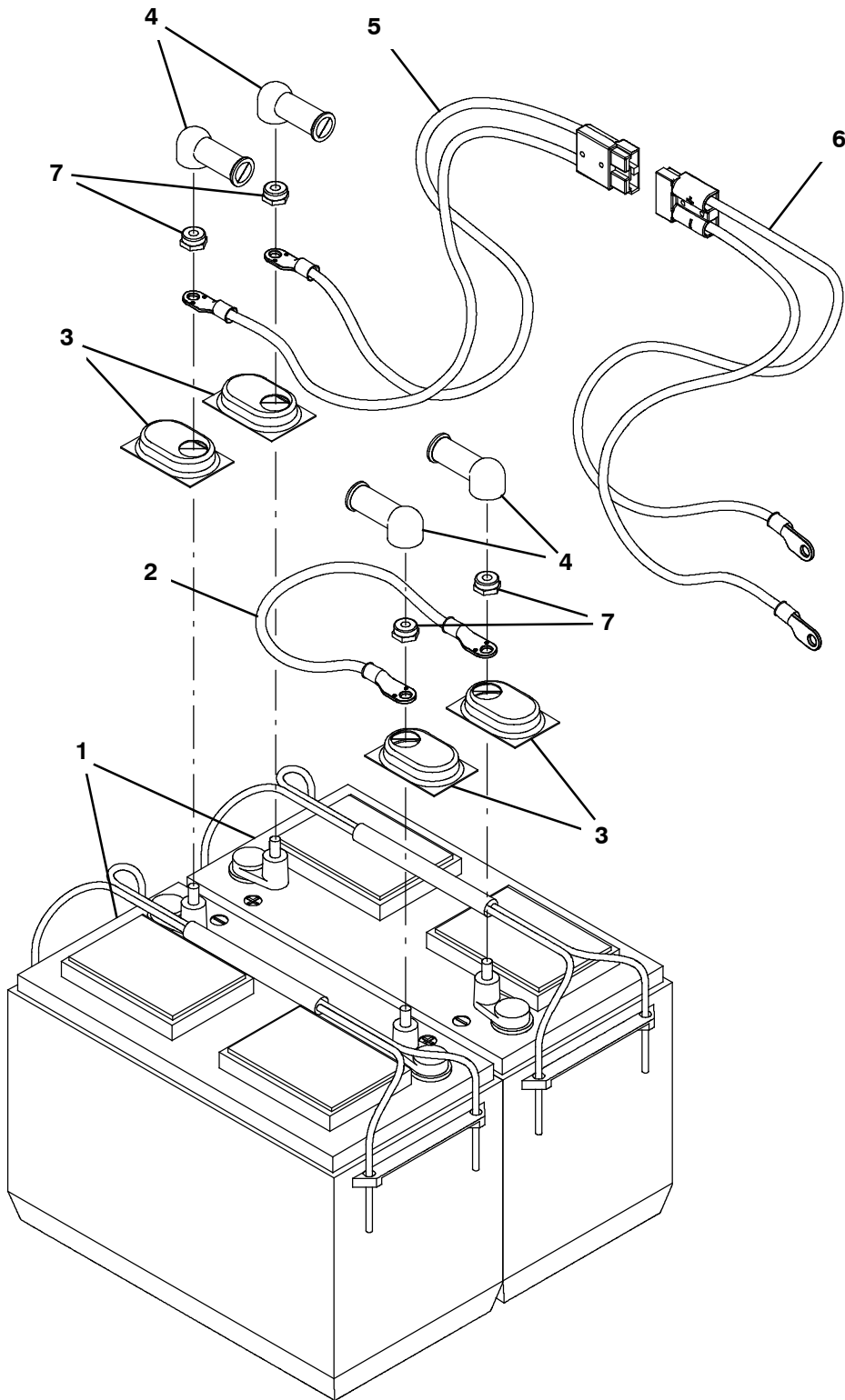


BATTERY GROUP, 105AH C20 WET

Ref.	Part No.	Serial Number	Description	Qty.
1	578426	(30000000- 40000000)	Battery, Wet, 12vdc 0105ah [S8, 27tmx]	2
2	1073680	(30000000- 40000000)	Cable, 04ga 15.0l Blk [M8 Ring/M8 Ring]	1
3	45962	(30000000- 40000000)	Cap, Battery, White [For 105ah & 130ah]	4
4	611221	(30000000- 40000000)	Boot, Terminal, Battery, 25.4mm, Blk	4
5	1073628	(30000000- 40000000)	Cable, Battery, 4ga [M8 Ring/M8 Ring]	1
6	1073629	(30000000- 40000000)	Cable, Battery, 4ga [M8 Ring/M8 Ring] (T300e Model)	1
6	1073996	(30000000- 40000000)	Cable, Battery, Fuse [Sb120, 70a] (T300 Model)	1
7	87435	(30000000- 40000000)	Nut, Hex, Flexlock, .31- 18	4

BATTERY GROUP, 130AH C20 WET

355360

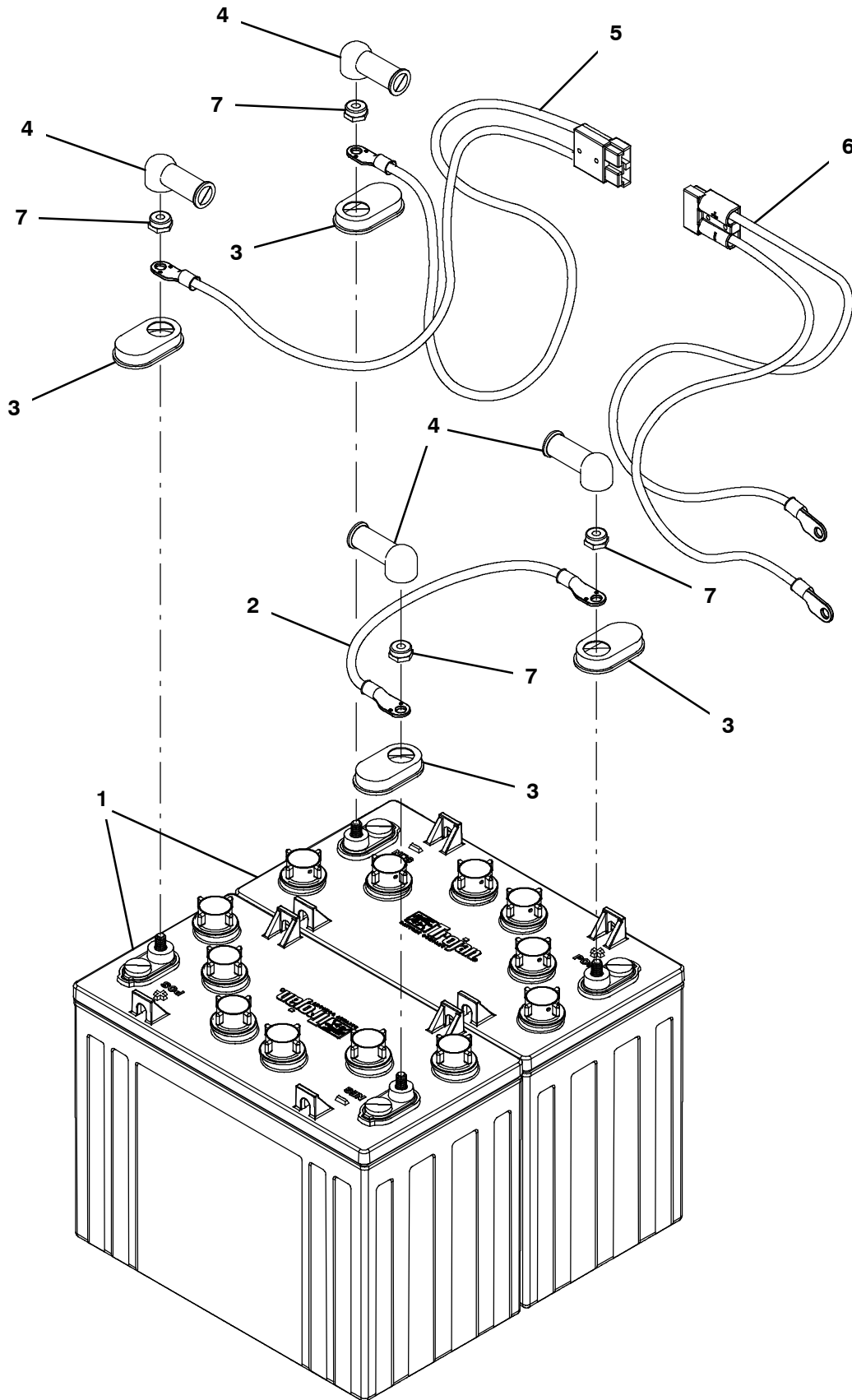


BATTERY GROUP, 130AH C20 WET

Ref.	Part No.	Serial Number	Description	Qty.
1	130869	(30000000- 40000000)	Battery, Wet, 12vdc 0130ah [30xhs- Wnt]	2
2	1073680	(30000000- 40000000)	Cable, 04ga 15.0l Blk [M8 Ring/M8 Ring]	1
3	45962	(30000000- 40000000)	Cap, Battery, White [For 105ah & 130ah]	4
4	611221	(30000000- 40000000)	Boot, Terminal, Battery, 25.4mm, Blk	4
5	1073628	(30000000- 40000000)	Cable, Battery, 4ga [M8 Ring/M8 Ring]	1
6	1073629	(30000000- 40000000)	Cable, Battery, 4ga [M8 Ring/M8 Ring] (T300e Model)	1
6	1073996	(30000000- 40000000)	Cable, Battery, Fuse [Sb120, 70a] (T300 Model)	1
7	87435	(30000000- 40000000)	Nut, Hex, Flexlock, .31- 18	4

BATTERY GROUP, 155AH C20 WET

355361

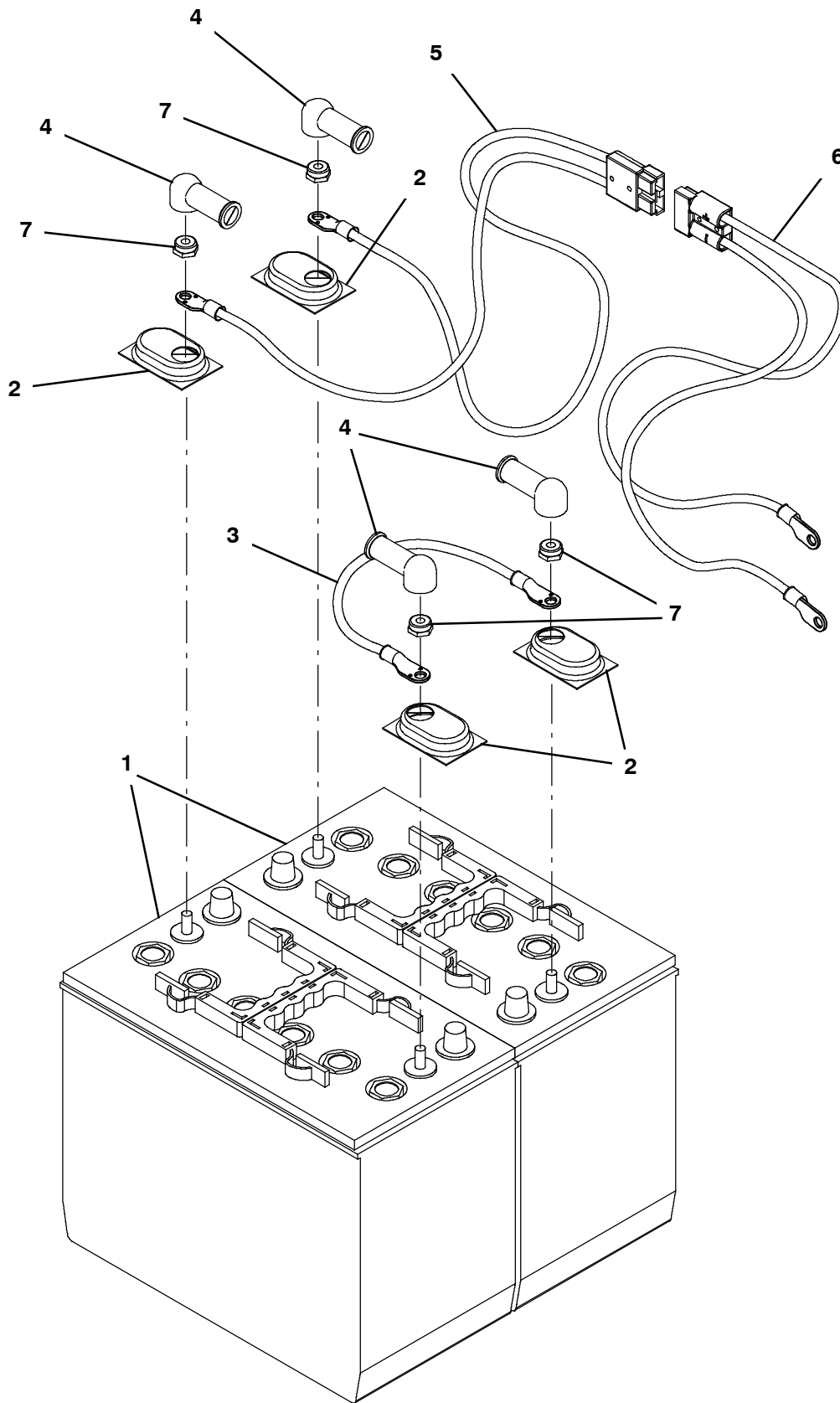


BATTERY GROUP, 155AH C20 WET

Ref.	Part No.	Serial Number	Description	Qty.
1	1015046	(30000000- 40000000)	Battery, Wet, 12vdc 0155ah	2
2	1073680	(30000000- 40000000)	Cable, 04ga 15.0l Blk [M8 Ring/M8 Ring]	1
3	1041030	(30000000- 40000000)	Cap, Battery, Black [For 155ah]	4
4	611221	(30000000- 40000000)	Boot, Terminal, Battery, 25.4mm, Blk	4
5	1073628	(30000000- 40000000)	Cable, Battery, 4ga [M8 Ring/M8 Ring]	1
6	1073629	(30000000- 40000000)	Cable, Battery, 4ga [M8 Ring/M8 Ring] (T300e Model)	1
6	1073996	(30000000- 40000000)	Cable, Battery, Fuse [Sb120, 70a] (T300 Model)	1
7	87435	(30000000- 40000000)	Nut, Hex, Flexlock, .31- 18	4

BATTERY GROUP, 140AH C20 AGM

355362



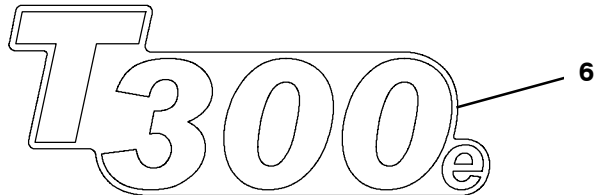
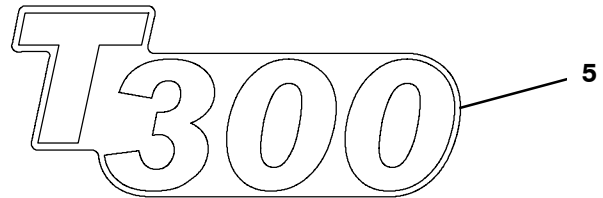
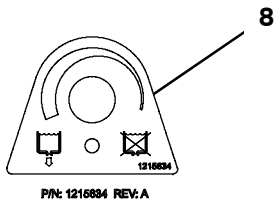
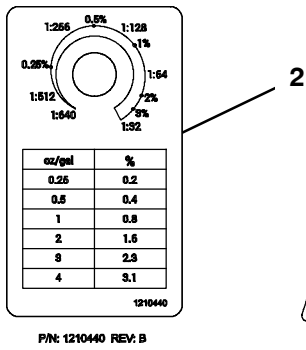
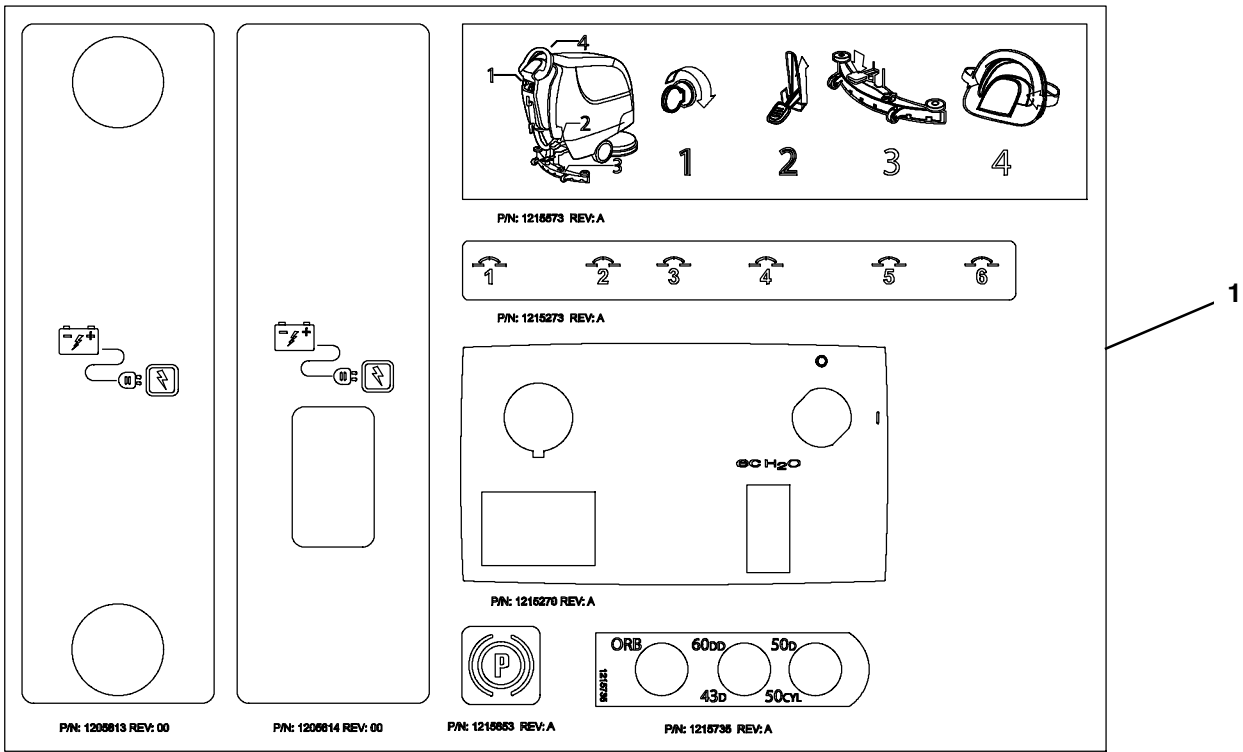
BATTERY GROUP, 140AH C20 AGM

Ref.	Part No.	Serial Number	Description	Qty.
▽	1	1053408	(30000000- 40000000) Battery, 12vdc 0140ah [Agm]	2
▲	2	45962	(30000000- 40000000) Cap, Battery, White [For 105ah & 130ah]	4
	3	1073680	(30000000- 40000000) Cable, 04ga 15.0l Blk [M8 Ring/M8 Ring]	1
	4	611221	(30000000- 40000000) Boot, Terminal, Battery, 25.4mm, Blk	4
	5	1073628	(30000000- 40000000) Cable, Battery, 4ga [M8 Ring/M8 Ring]	1
	6	1073629	(30000000- 40000000) Cable, Battery, 4ga [M8 Ring/M8 Ring] (T300e Model)	1
	6	1073996	(30000000- 40000000) Cable, Battery, Fuse [Sb120, 70a] (T300 Model)	1
	7	87435	(30000000- 40000000) Nut, Hex, Flexlock, .31- 18	4

▽ ASSEMBLY

▲ INCLUDED IN ASSEMBLY

LABEL GROUP



500 x 355 mm / 20 x 14 in

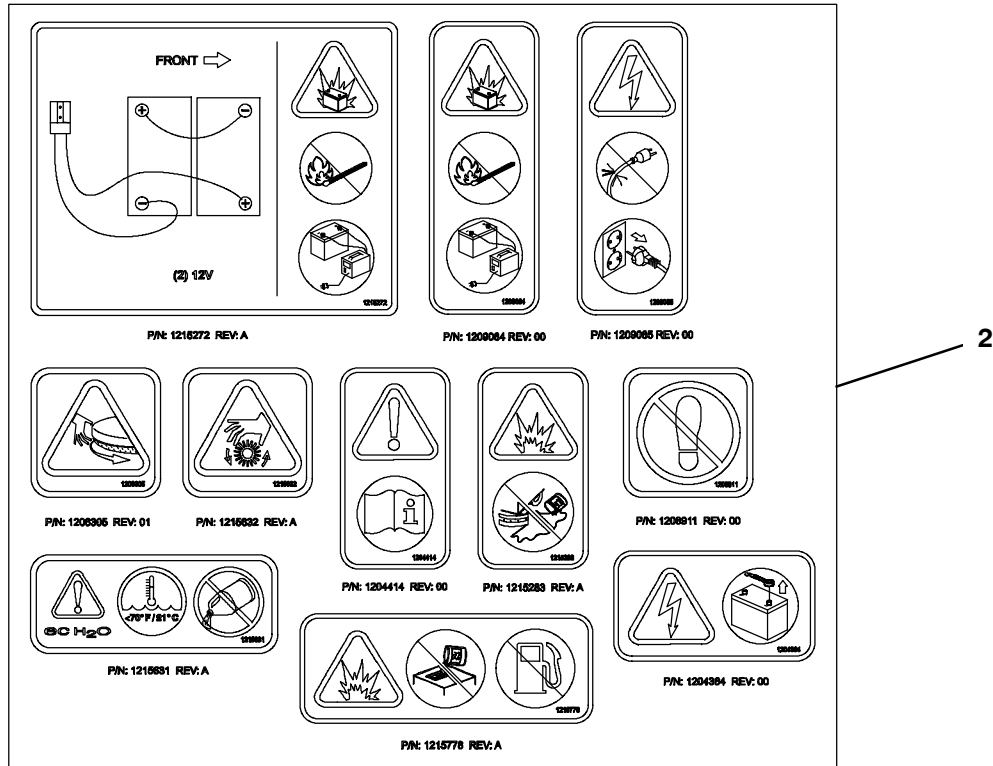
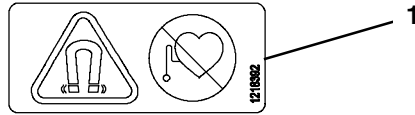


LABEL GROUP

Ref.	Part No.	Serial Number	Description	Qty.
1	1215777	(30000000- 40000000)	Label Sheet, Operational	1
2	1210440	(30000000- 40000000)	Label, Opertnl, Detergent Metering (Severe Environment)	1
3	1214279	(30000000- 40000000)	Label, Orbital, Size, 50cm (Orbital Head)	1
4	1205477	(30000000- 40000000)	Nameplate, Tennant, Dome, 5.5in (T300 Model)	1
4	1213114	(30000000- 40000000)	Label, Logo, 05.5l, Blk/Sil [Tennant] (T300e Model)	1
5	1215262	(30000000- 40000000)	Label, T300	2
6	1215263	(30000000- 40000000)	Label, T300e	2
7	1216520	(30000000- 40000000)	Label, Logo [Ech2o Nano] (ec- H2O Model)	2
8	1215634	(30000000- 40000000)	Label, Opertnl, Solution Knob Adj (T300e Model)	1

LABEL GROUP - CONT'D

355386



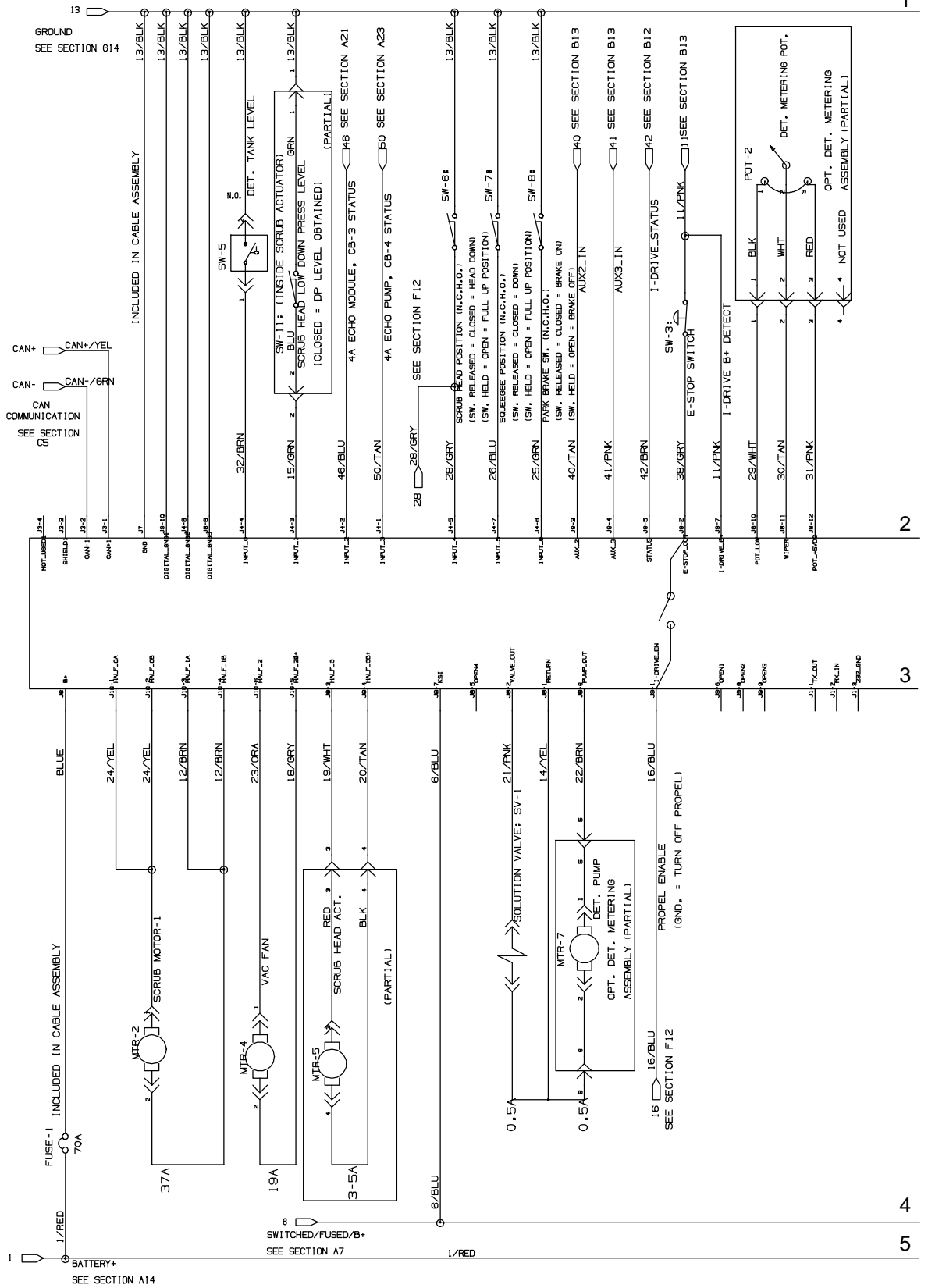
LABEL GROUP - CONT'D

Ref.	Part No.	Serial Number	Description	Qty.
1	1218392	(30000000- 40000000)	Label, Safety, Magnet, Med (Magnetic Heads)	1
2	1215776	(30000000- 40000000)	Label Sheet, Info/Hzrd [Ce] (China)	1

ELECTRICAL DIAGRAM, PROPEL MEMBRANE T300 MODEL (PAGE 3 OF 4)

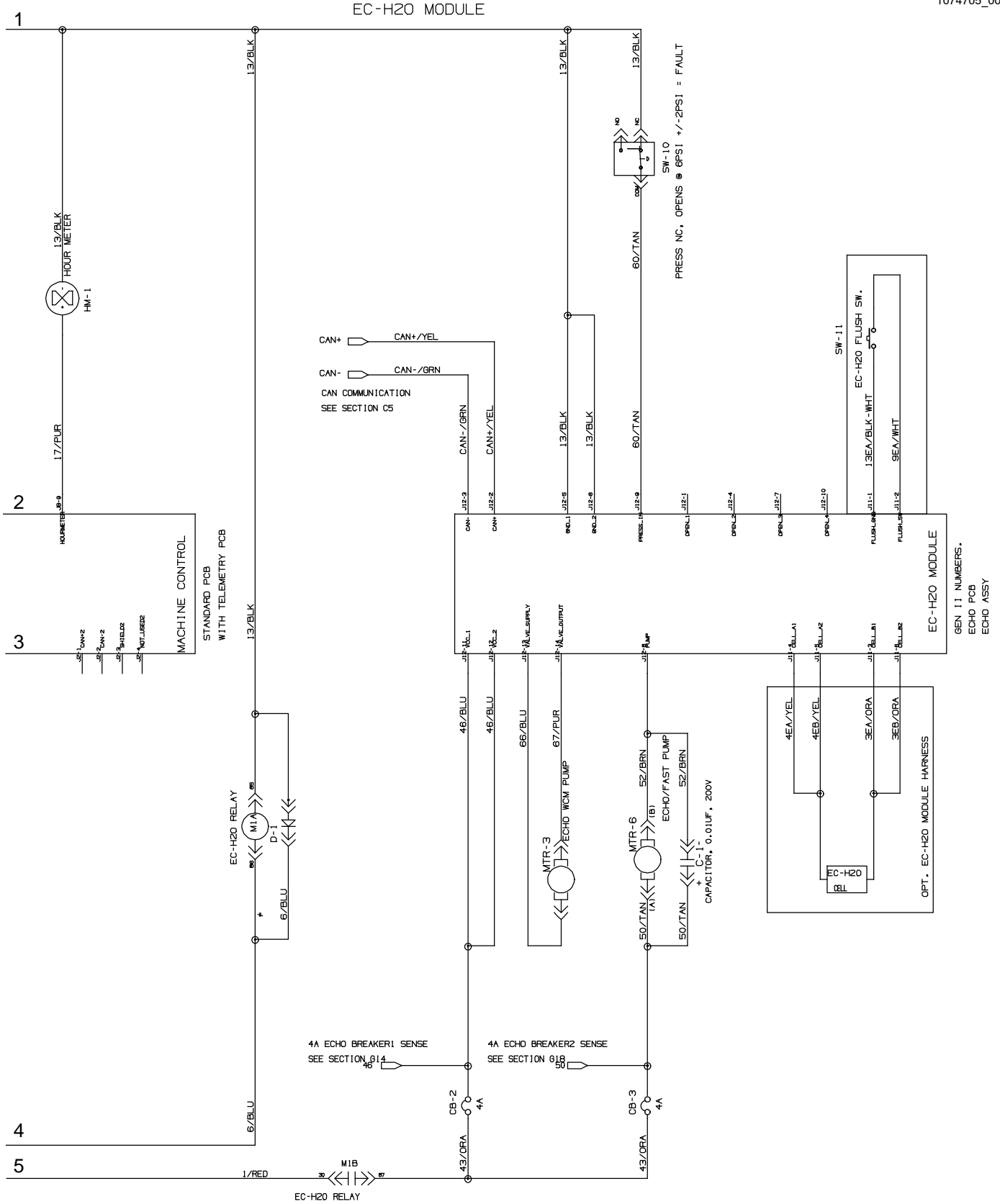
PREMIUM CONTROLLER

1074705_00



ELECTRICAL DIAGRAM, PROPEL MEMBRANE T300 MODEL (PAGE 4 OF 4)

1074705_00



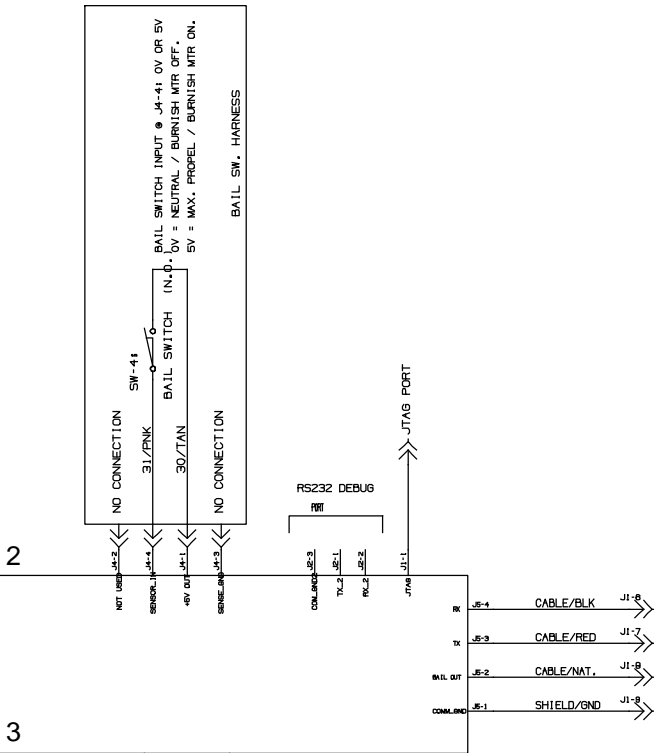
ELECTRICAL DIAGRAM, PUSH MEMBRANE T300 MODEL (PAGE 2 OF 4)

1074706_00

PROPEL SYSTEM

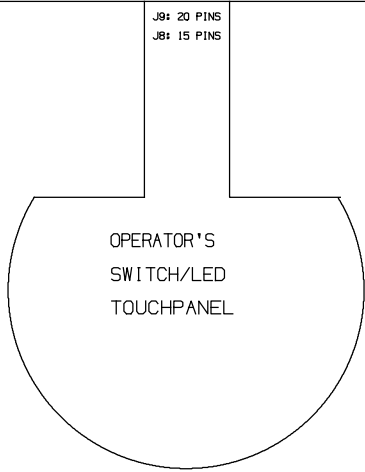
1

13/BLK
BATTERY+
SEE SECTION
015



2

3



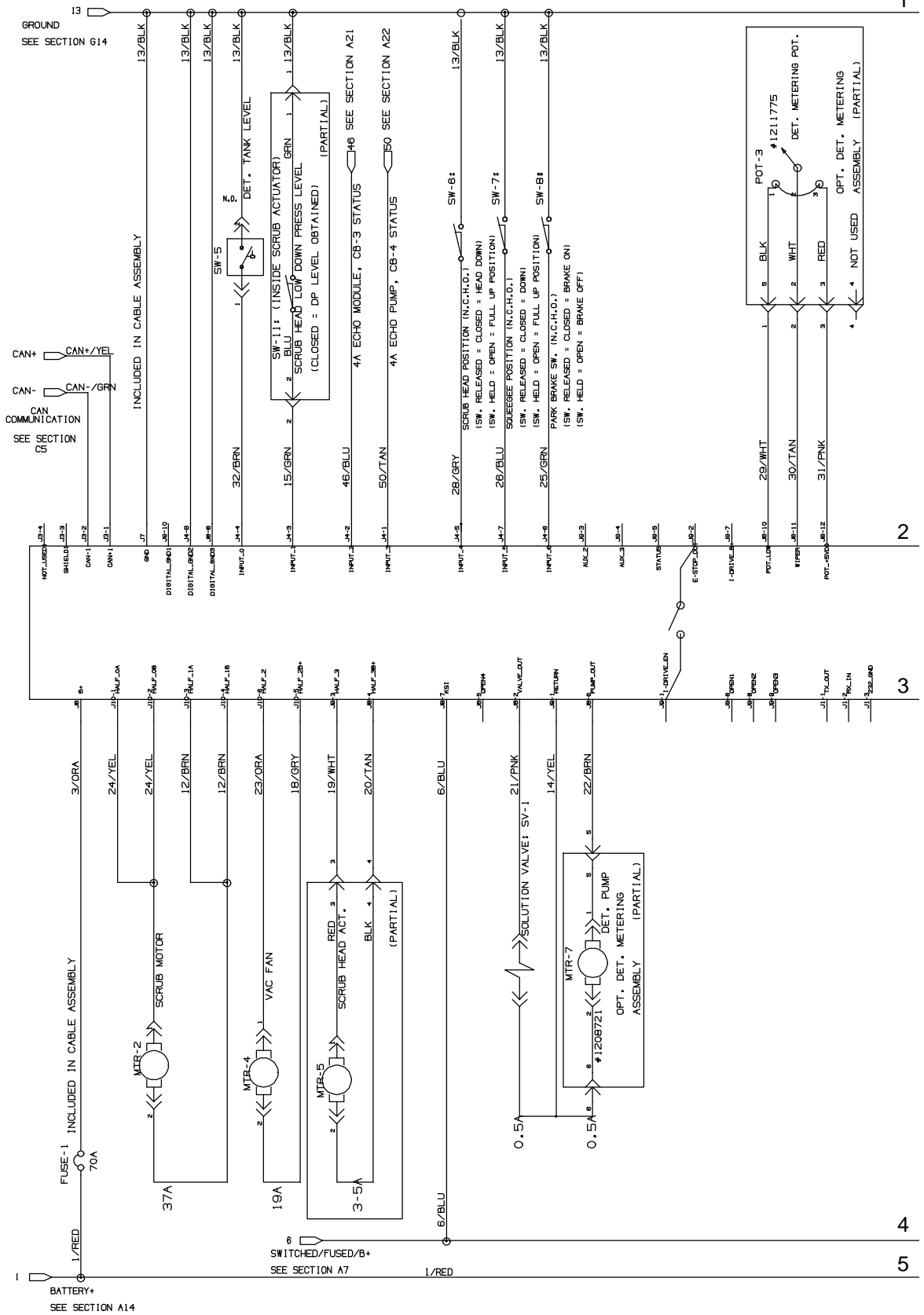
4



ELECTRICAL DIAGRAM, PUSH MEMBRANE T300 MODEL (PAGE 3 OF 4)

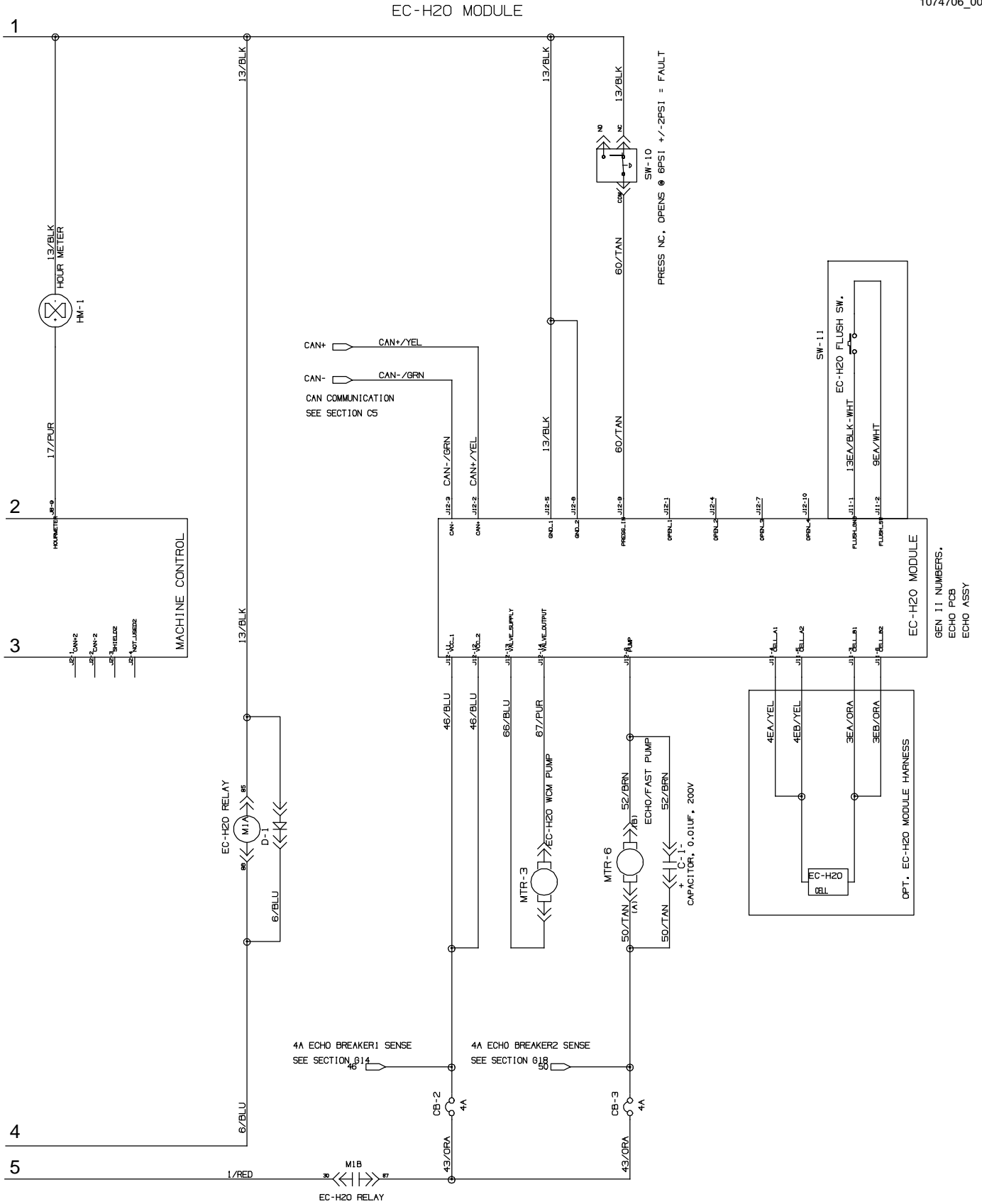
PREMIUM CONTROLLER

1074706_00



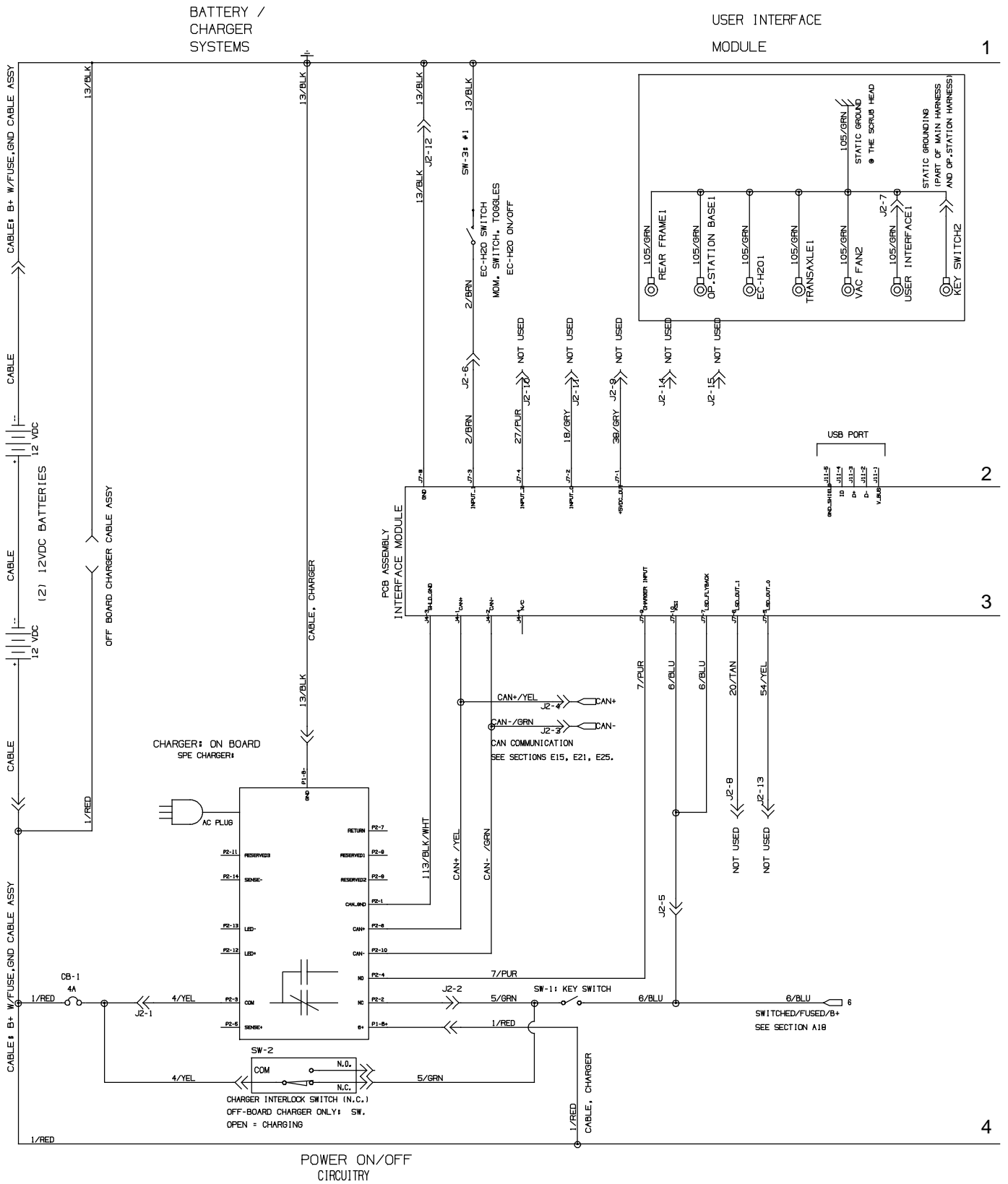
ELECTRICAL DIAGRAM, PUSH MEMBRANE T300 MODEL (PAGE 4 OF 4)

1074706_00



ELECTRICAL DIAGRAM, PROPEL PRO-PANEL (LCD) T300 MODEL (PAGE 1 OF 4)

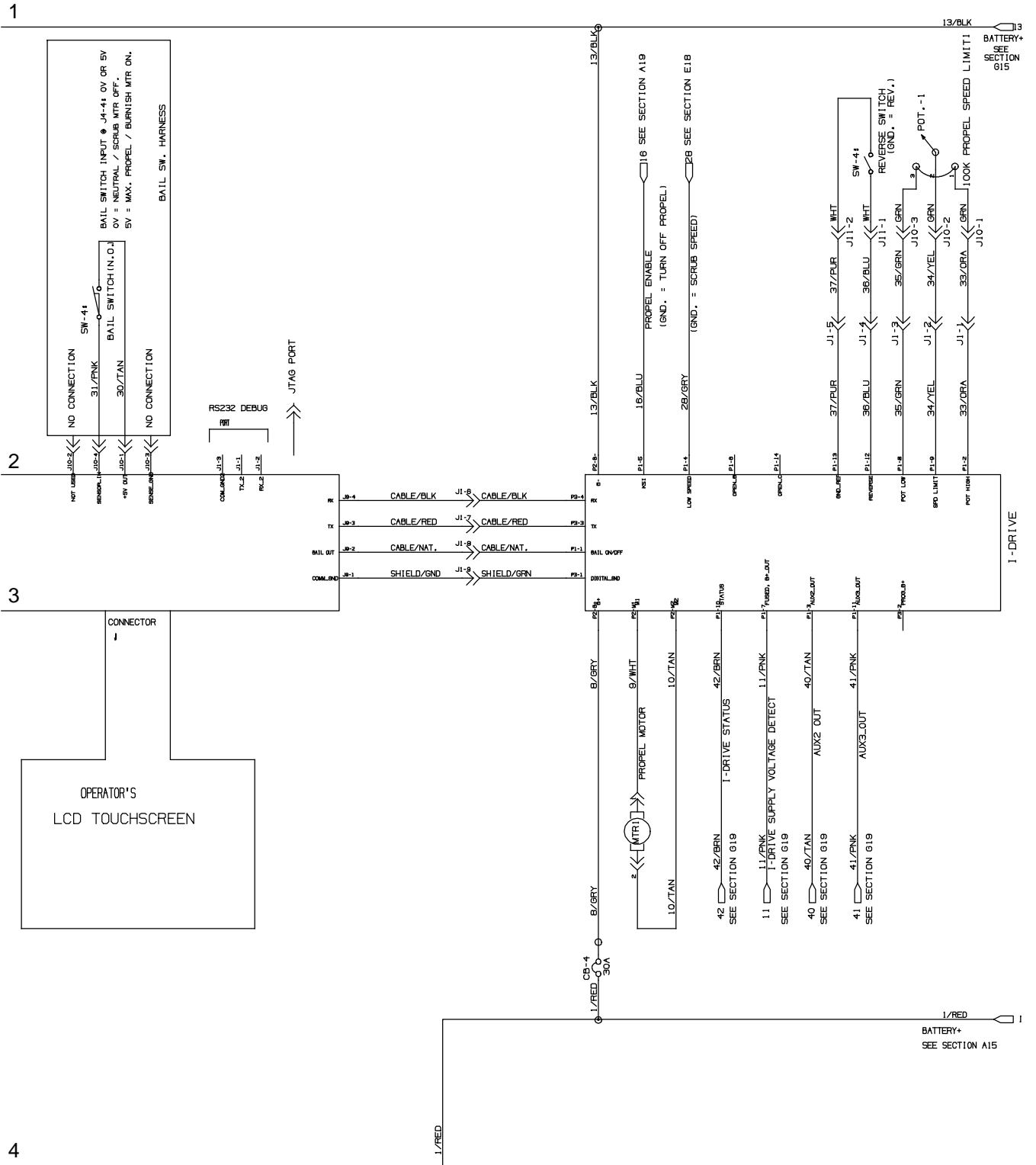
1074705_00



ELECTRICAL DIAGRAM, PROPEL PRO-PANEL (LCD) T300 MODEL (PAGE 2 OF 4)

1074705_00

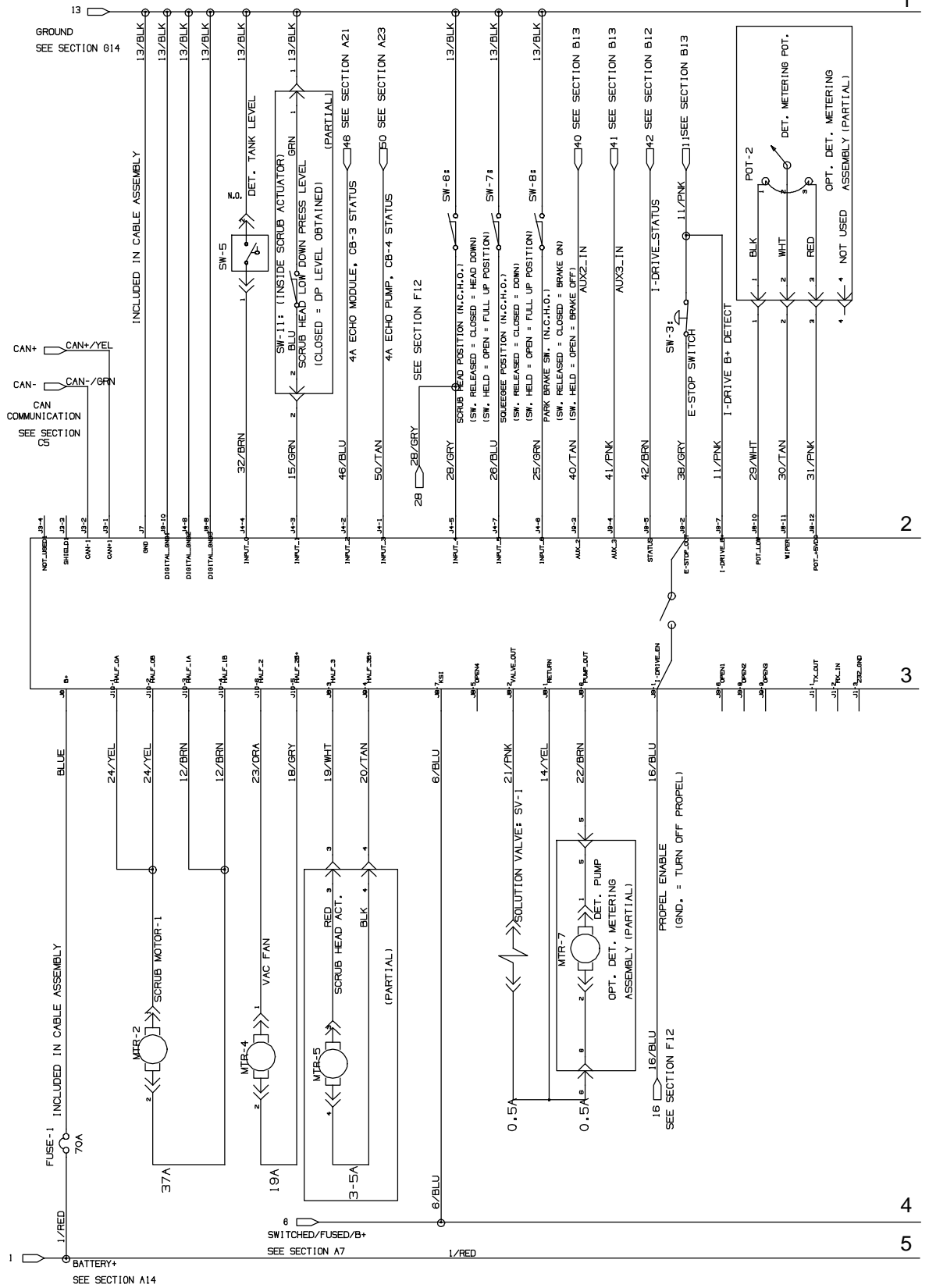
PROPEL SYSTEM



ELECTRICAL DIAGRAM, PROPEL PRO-PANEL (LCD) T300 MODEL (PAGE 3 OF 4)

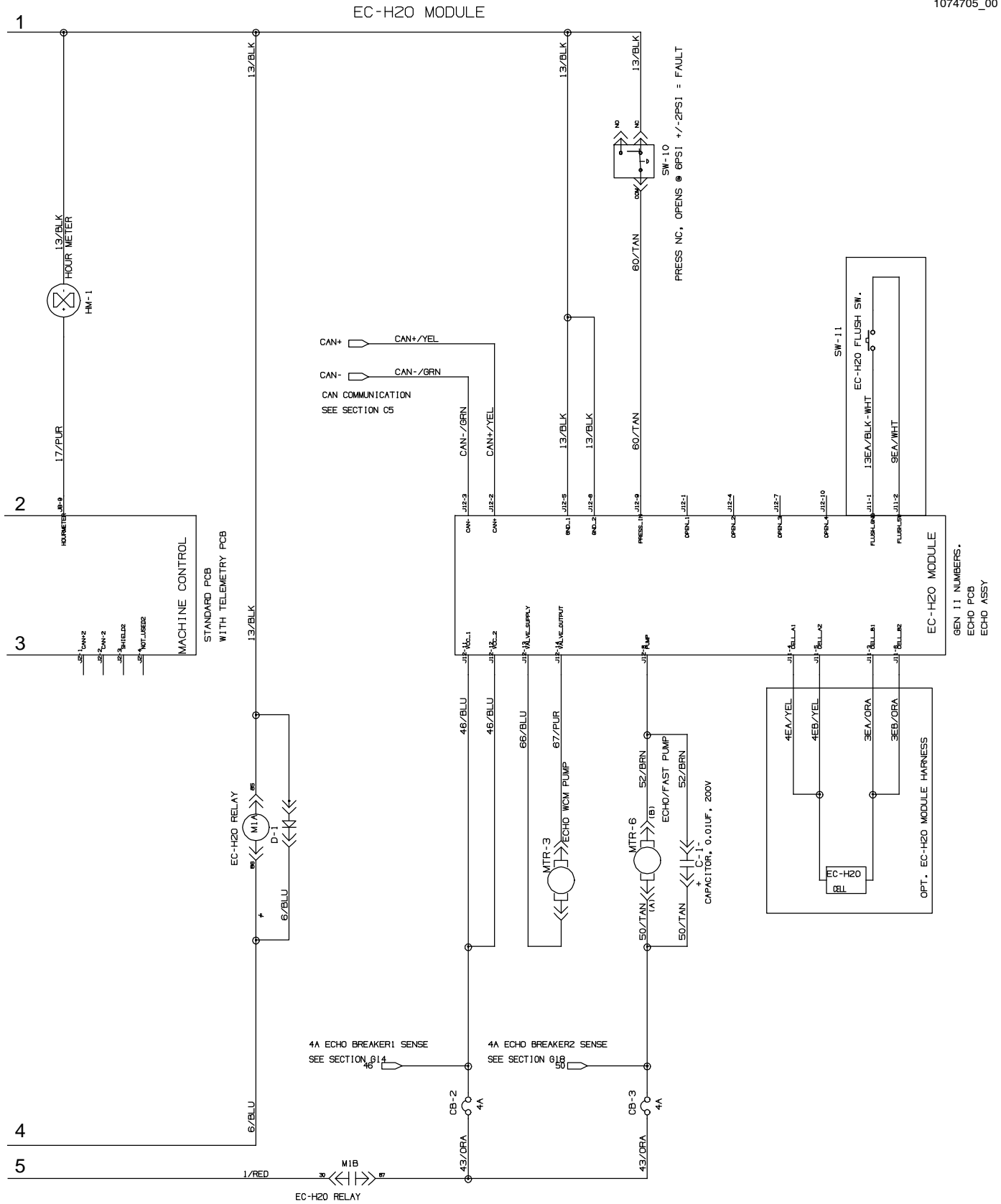
PREMIUM CONTROLLER

1074705_00



ELECTRICAL DIAGRAM, PROPEL PRO-PANEL (LCD) T300 MODEL (PAGE 4 OF 4)

1074705_00



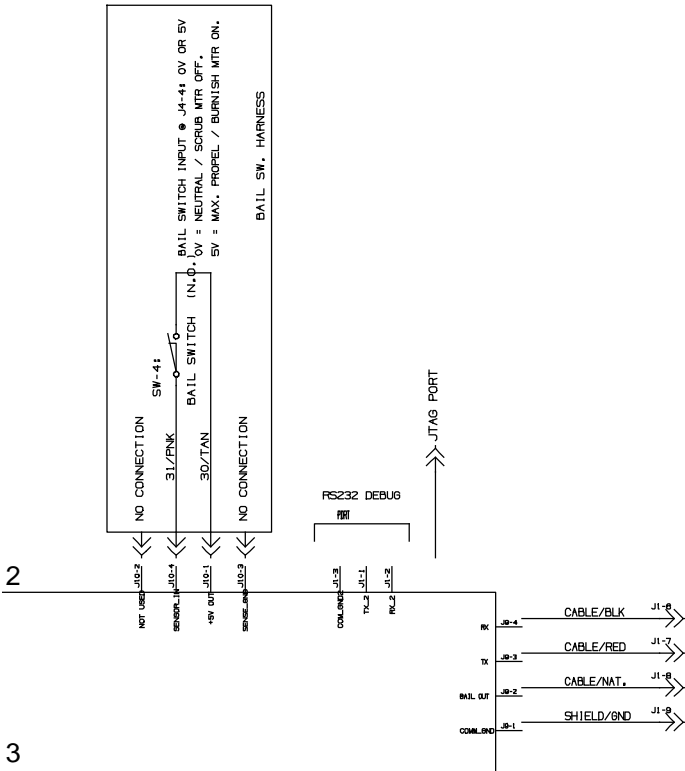
ELECTRICAL DIAGRAM, PUSH PRO-PANEL (LCD) T300 MODEL (PAGE 2 OF 4)

1074706_00

PROPEL SYSTEM

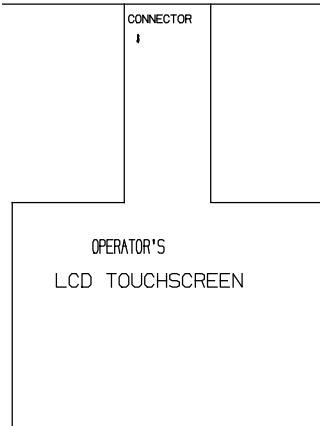
13/BLK
BATTERY+
SEE SECTION G15

1



2

3



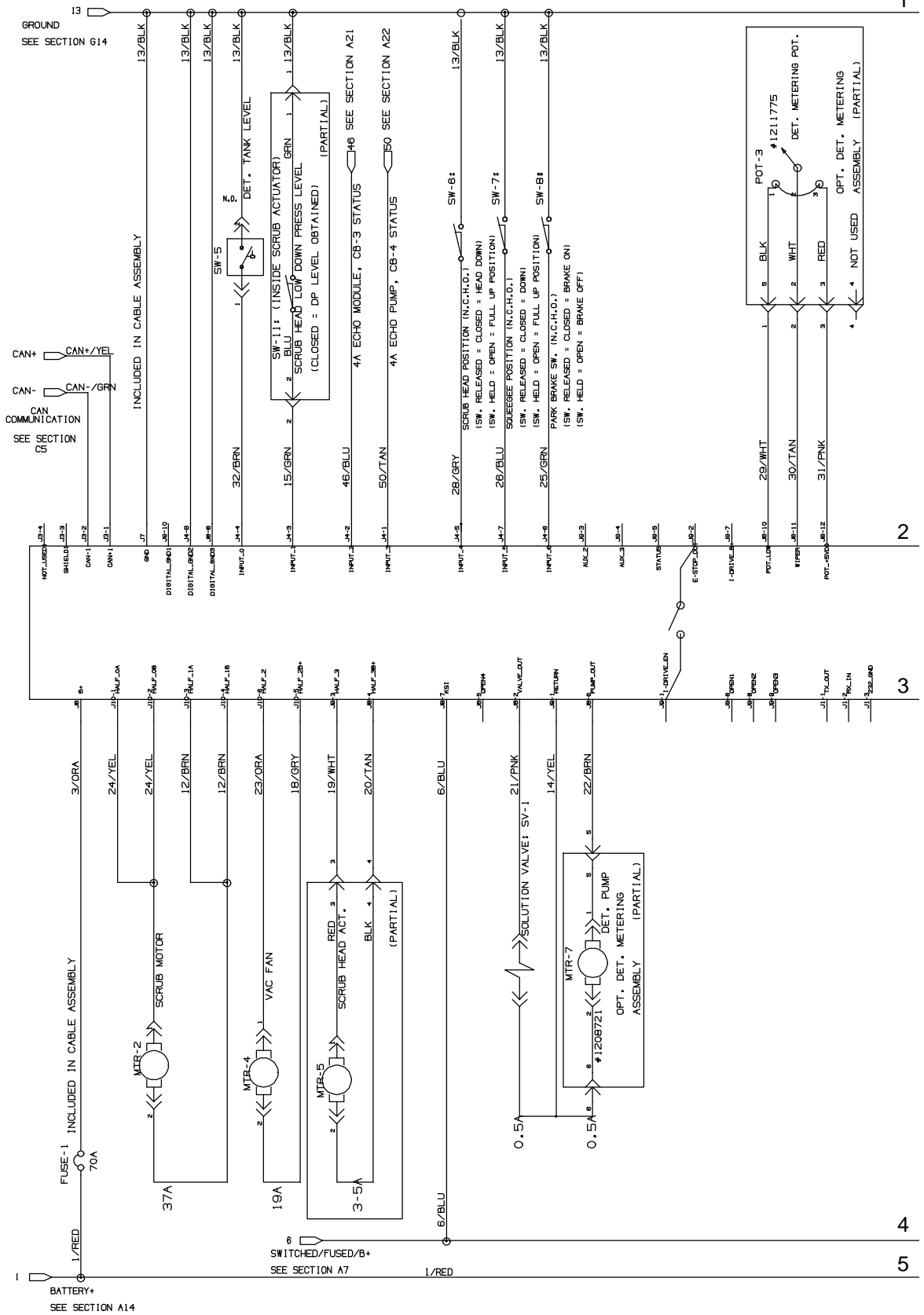
4



ELECTRICAL DIAGRAM, PUSH PRO-PANEL (LCD) T300 MODEL (PAGE 3 OF 4)

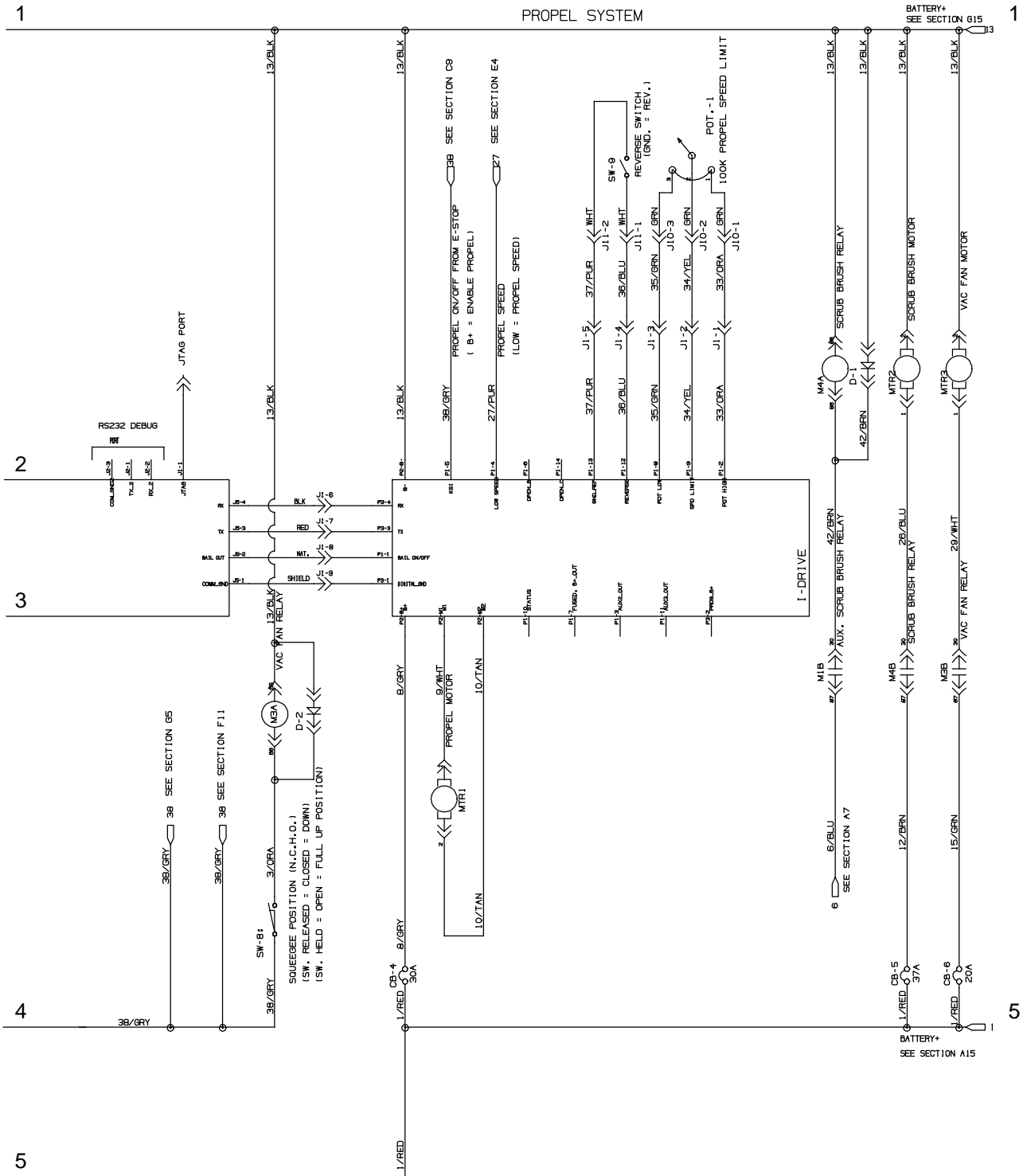
PREMIUM CONTROLLER

1074706_00



ELECTRICAL DIAGRAM, PROPEL T300e MODEL (PAGE 2 OF 3)

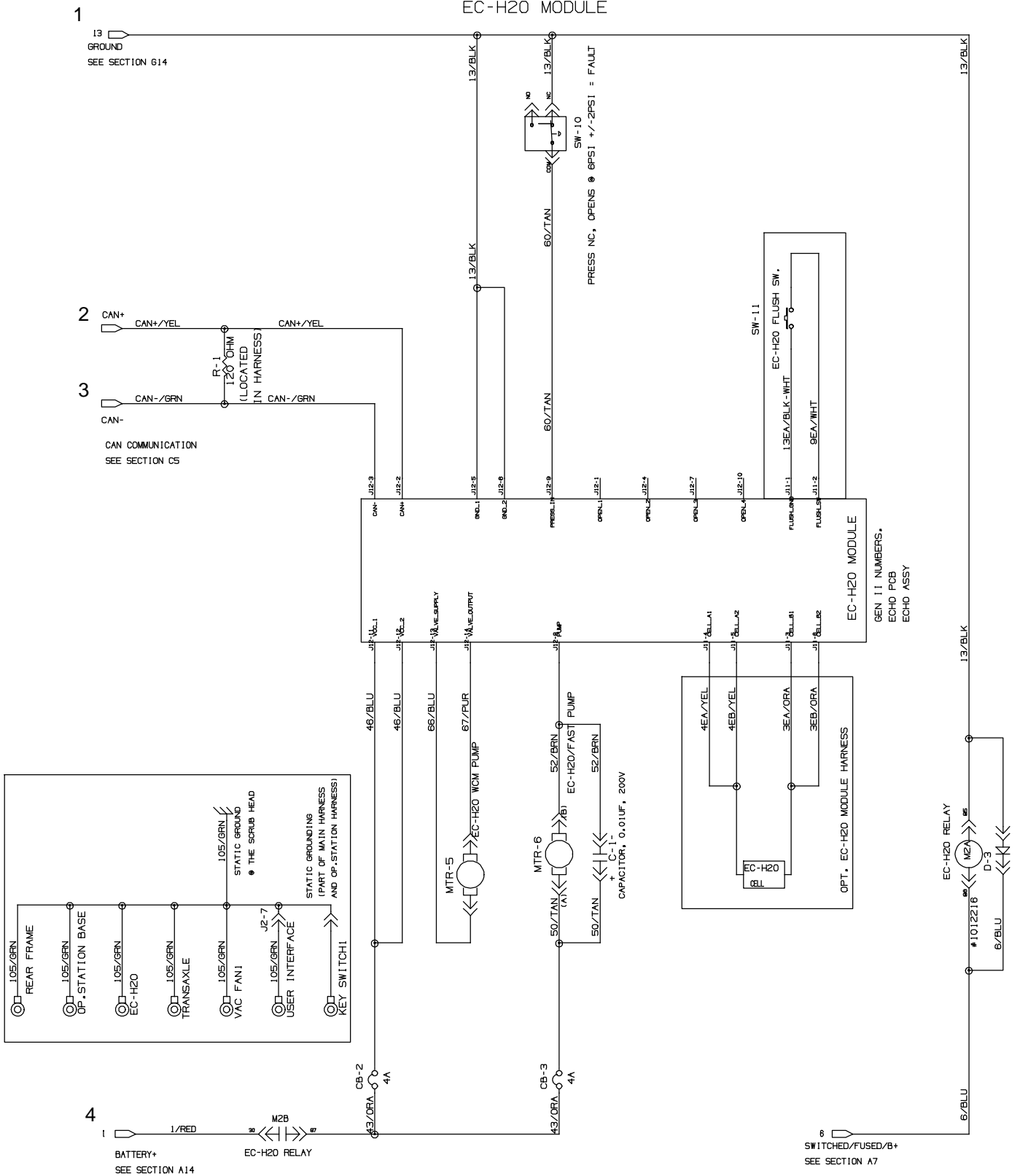
1074707_00



ELECTRICAL DIAGRAM, PROPEL T300e MODEL (PAGE 3 OF 3)

1074707_00

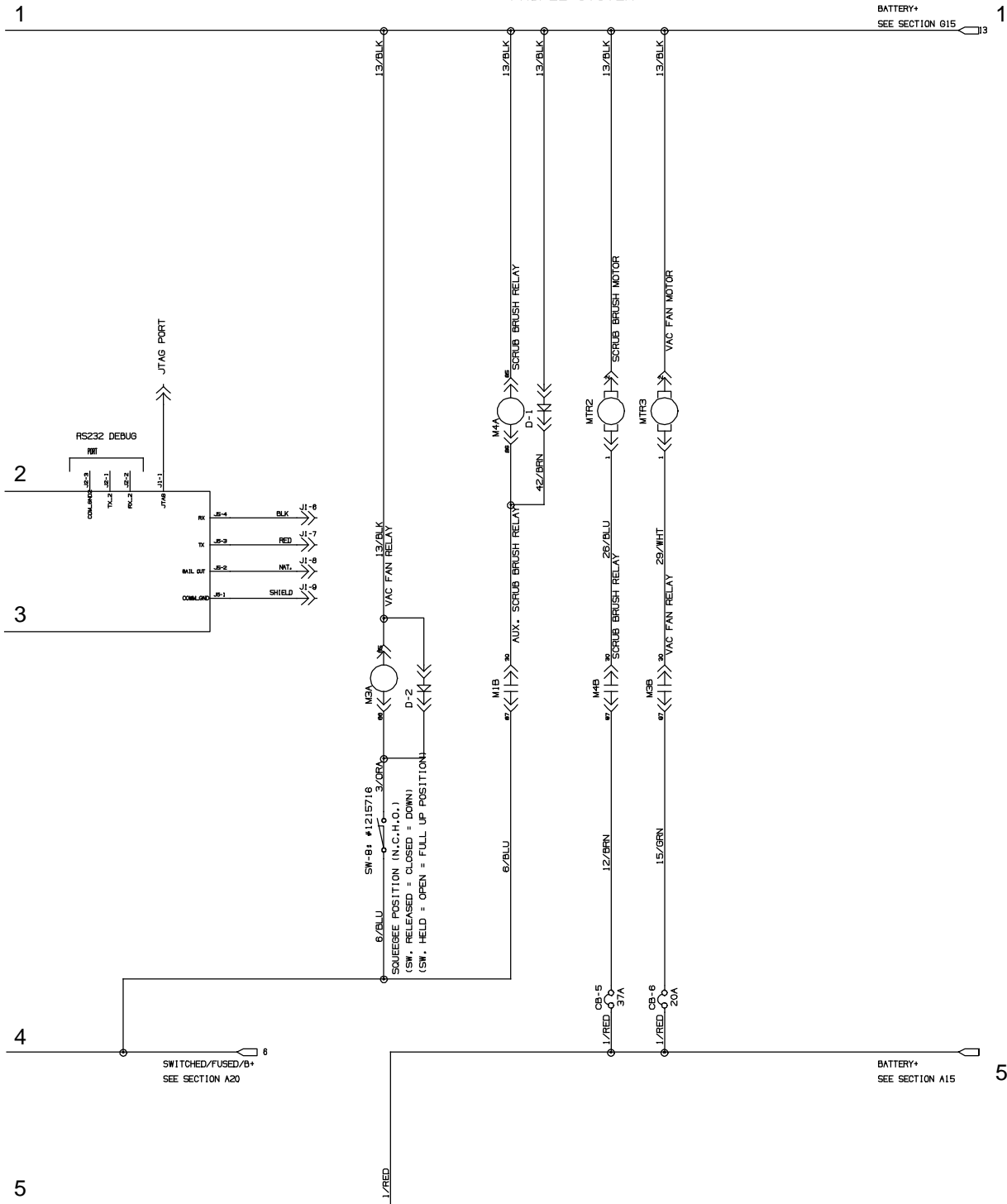
EC-H2O MODULE



ELECTRICAL DIAGRAM, PUSH T300e MODEL (PAGE 2 OF 3)

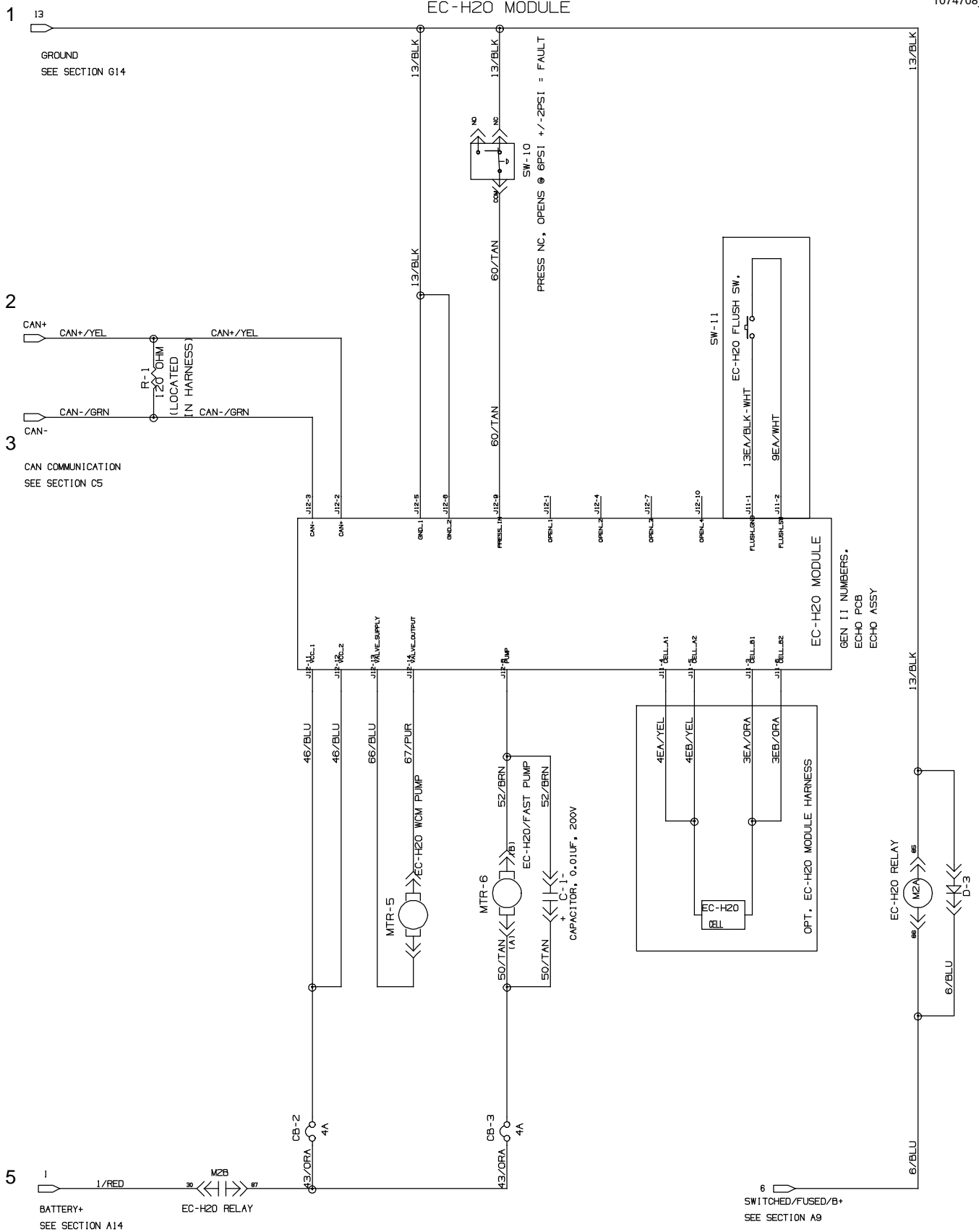
1074708_00

PROPEL SYSTEM



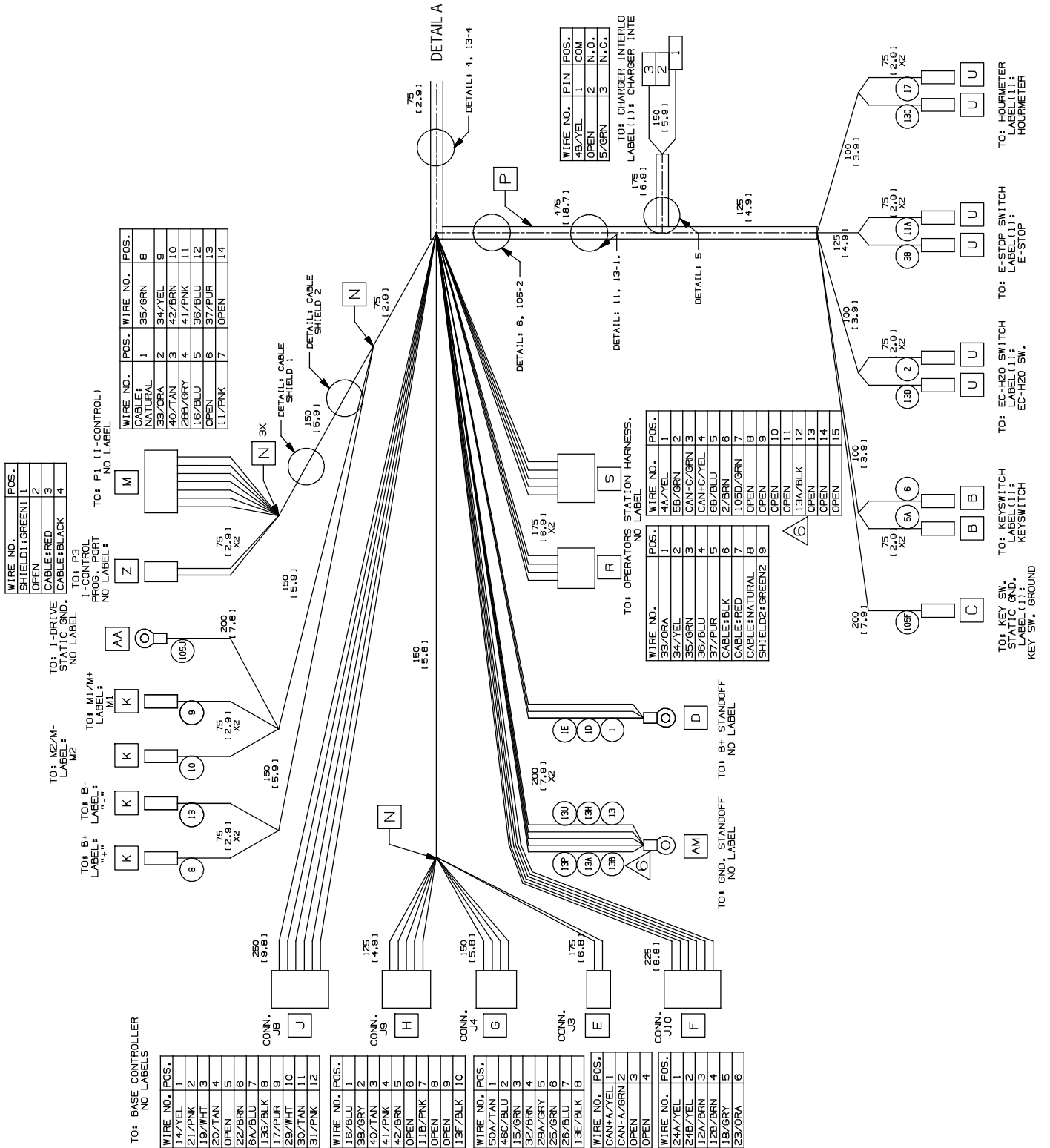
ELECTRICAL DIAGRAM, PUSH T300e MODEL (PAGE 3 OF 3)

1074708_00



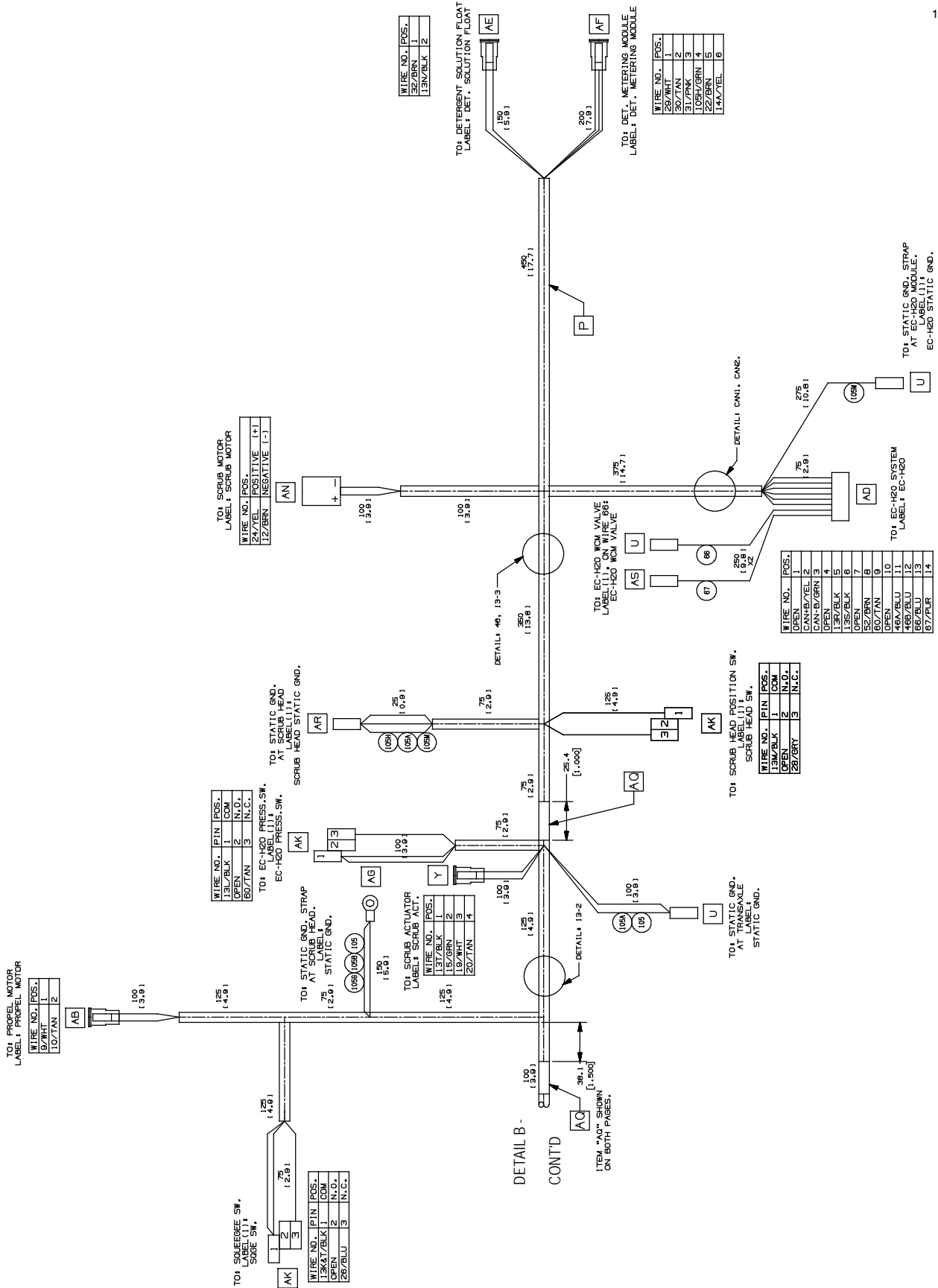
ELECTRICAL HARNESS, MAIN PROPEL T300 MODEL (PAGE 1 OF 3)

1073678



ELECTRICAL HARNESS, MAIN PROPEL T300 MODEL (PAGE 3 OF 3)

1073678



ELECTRICAL HARNESS, MAIN PROPEL T300 MODEL

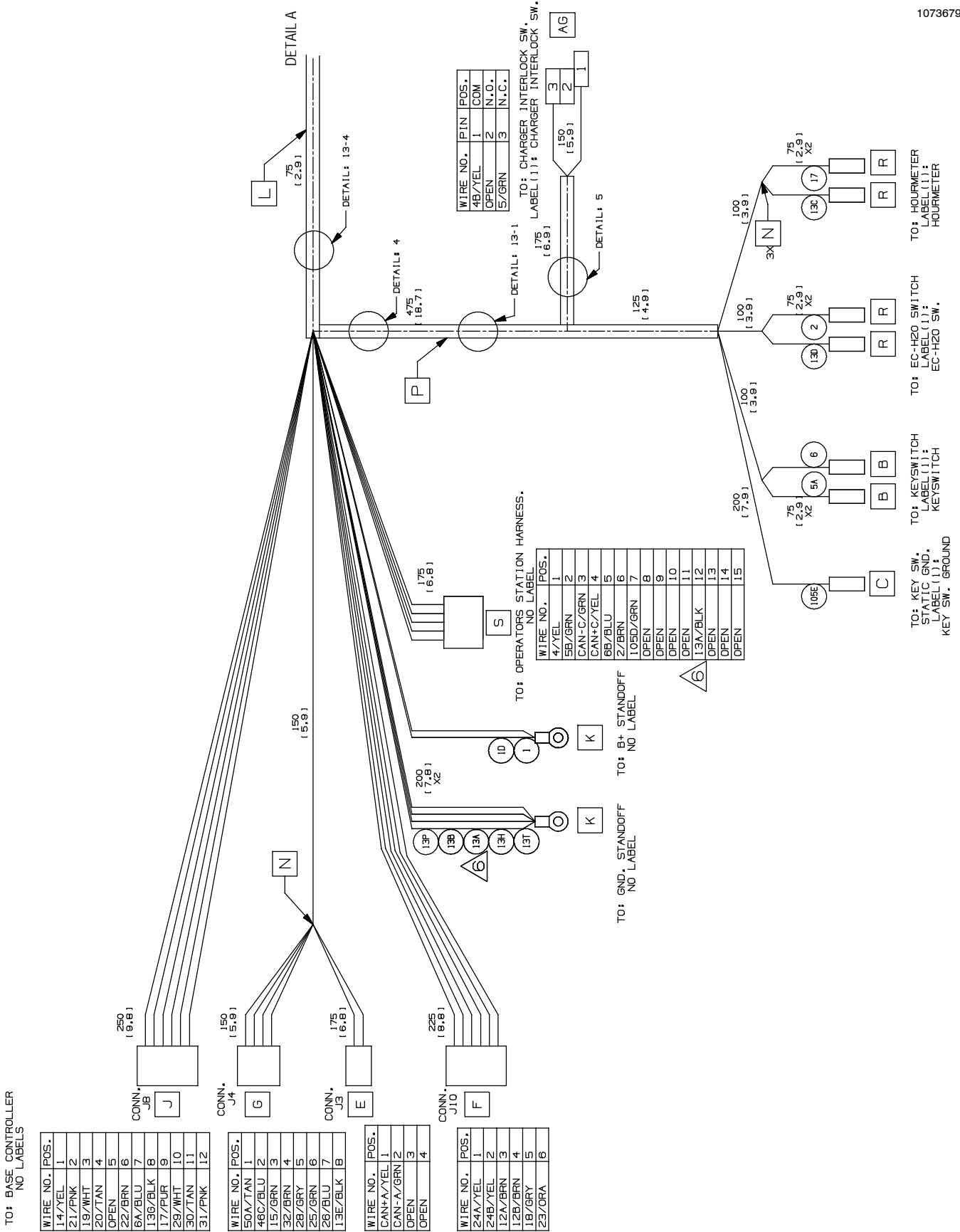
	Part No.	Serial Number	Description	Qty.
▽	1073678	(30000000- 40000000)	Harness, Main, Ele [Vw, Premium, Propel]	1
▲	222290	(30000000- 40000000)	Diode, Ele, Plug	3

▽ ASSEMBLY

▲ INCLUDED IN ASSEMBLY

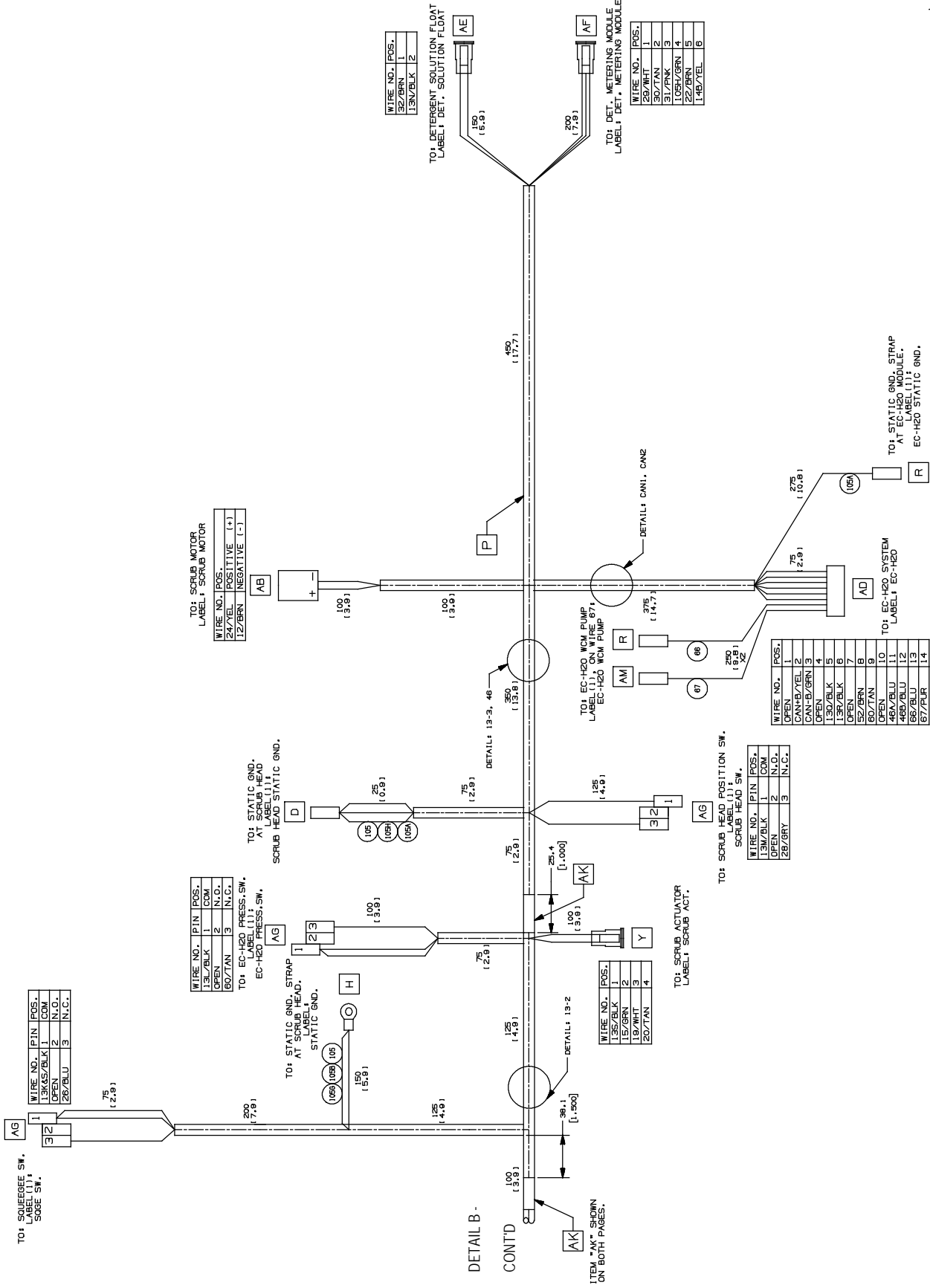
ELECTRICAL HARNESS, MAIN PUSH T300 MODEL (PAGE 1 OF 3)

1073679



ELECTRICAL HARNESS, MAIN PUSH T300 MODEL (PAGE 3 OF 3)

1073679



ELECTRICAL HARNESS, MAIN PUSH T300 MODEL

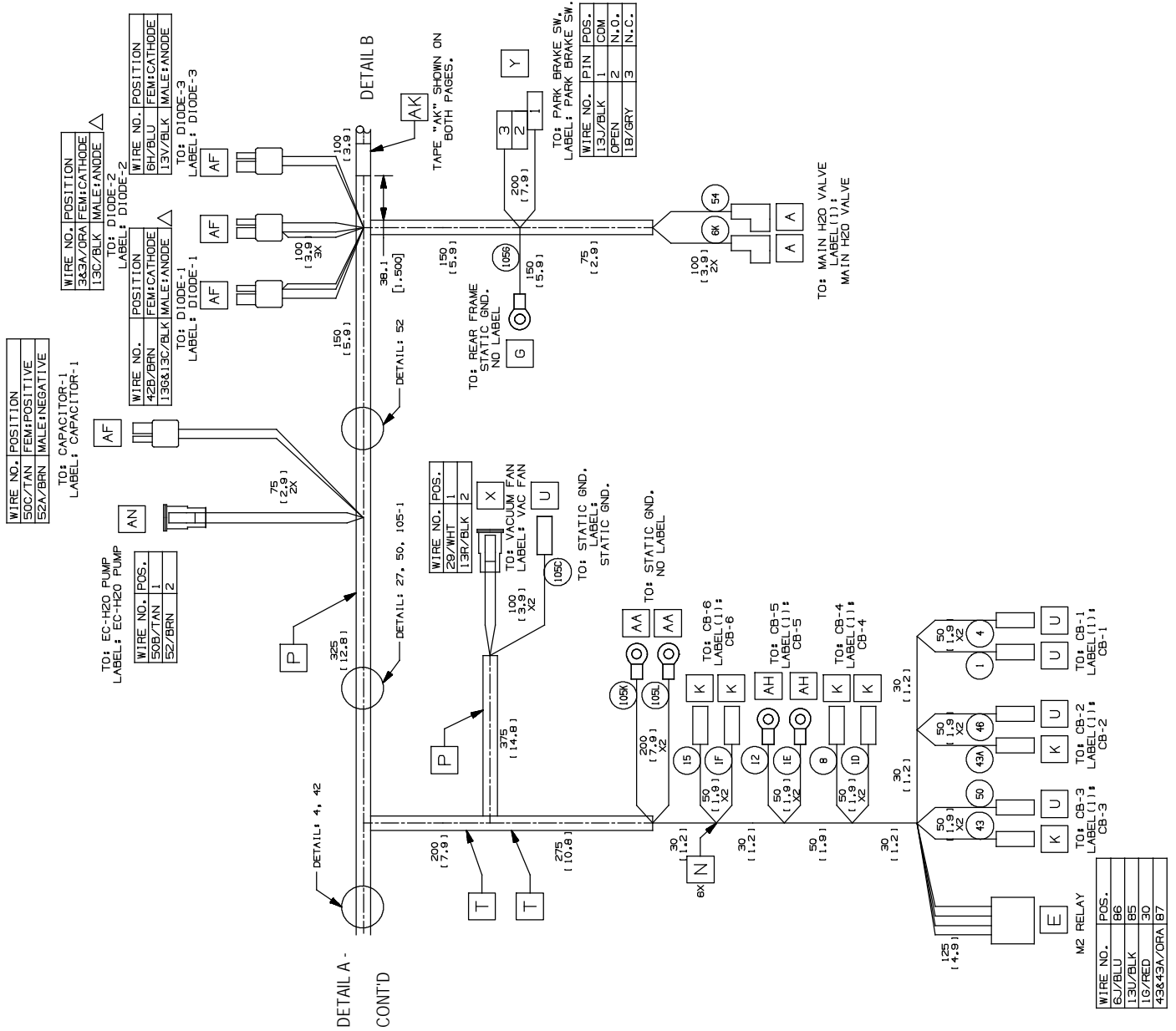
	Part No.	Serial Number	Description	Qty.
▽	1073679	(30000000- 40000000)	Harness, Main, Ele [Vw, Premium, Push]	1
▲	222290	(30000000- 40000000)	Diode, Ele, Plug	3

▽ ASSEMBLY

▲ INCLUDED IN ASSEMBLY

ELECTRICAL HARNESS, MAIN PROPEL T300e MODEL (PAGE 2 OF 3)

1073676



ELECTRICAL HARNESS, MAIN PROPEL T300e MODEL

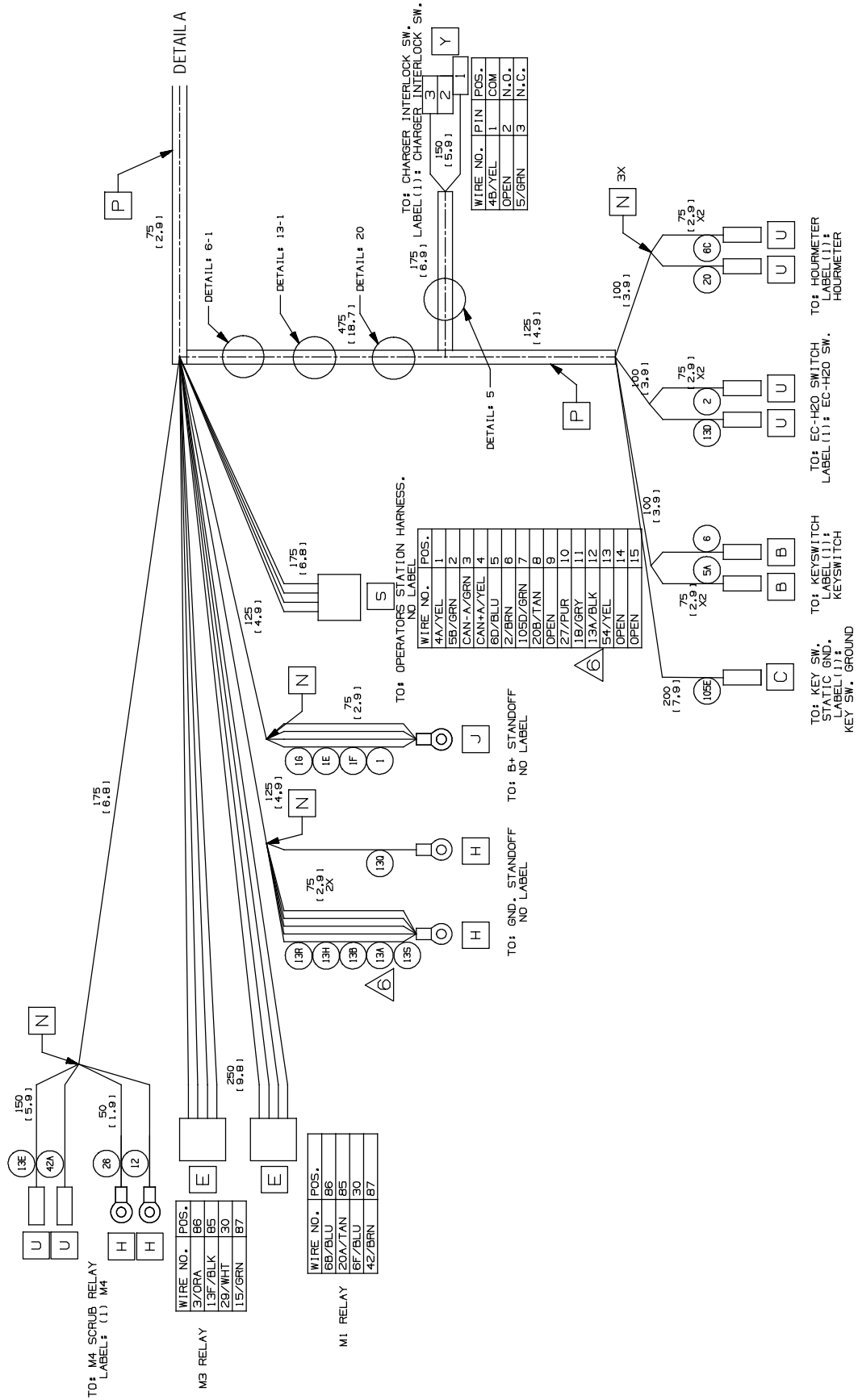
	Part No.	Serial Number	Description	Qty.
▽	1073676	(30000000- 40000000)	Harness, Main, Ele [Vw, Base, Propel]	1
▲	222290	(30000000- 40000000)	Diode, Ele, Plug	3

▽ ASSEMBLY

▲ INCLUDED IN ASSEMBLY

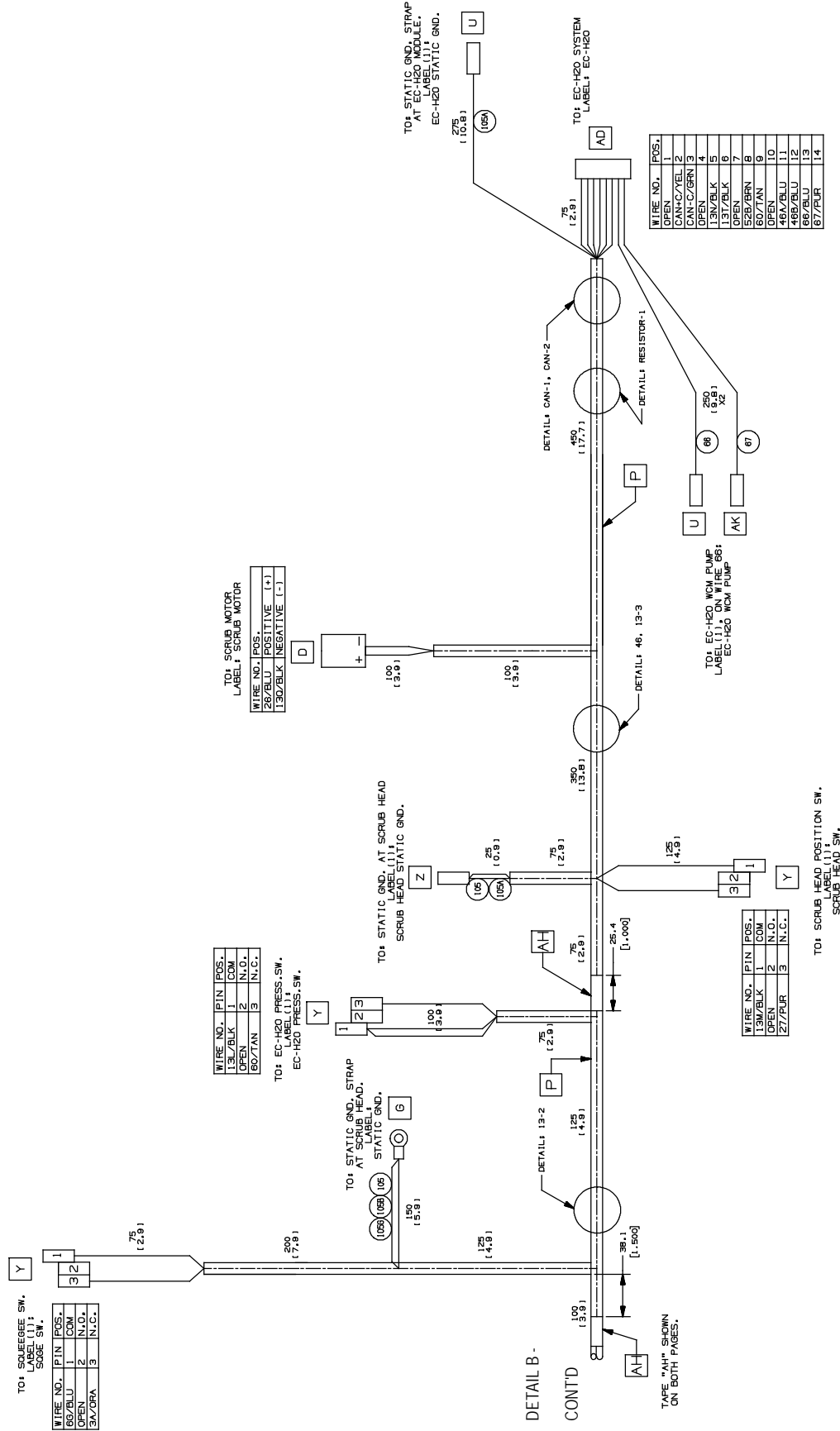
ELECTRICAL HARNESS, MAIN PUSH T300e MODEL (PAGE 1 OF 3)

1073677



ELECTRICAL HARNESS, MAIN PUSH T300e MODEL (PAGE 3 OF 3)

1073677



ELECTRICAL HARNESS, MAIN PUSH T300e MODEL

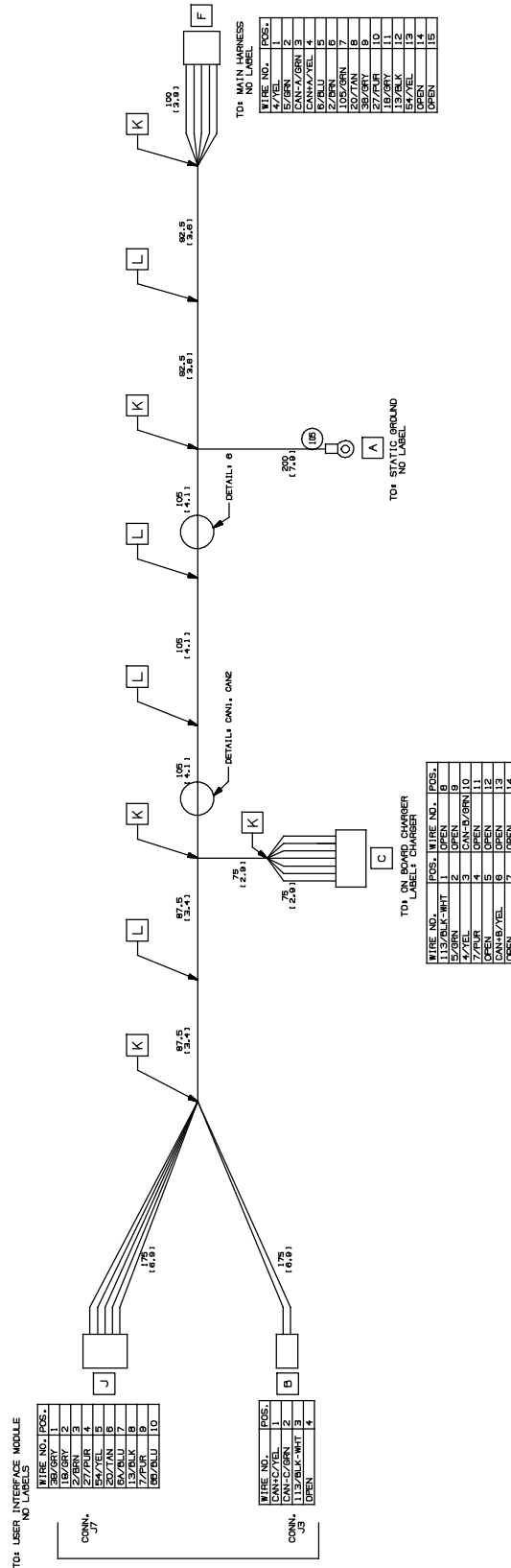
	Part No.	Serial Number	Description	Qty.
▽	1073677	(30000000- 40000000)	Harness, Main, Ele [Vw, Base, Push]	1
▲	222290	(30000000- 40000000)	Diode, Ele, Plug	3

▽ ASSEMBLY

▲ INCLUDED IN ASSEMBLY

ELECTRICAL HARNESS, OPTIONS PUSH

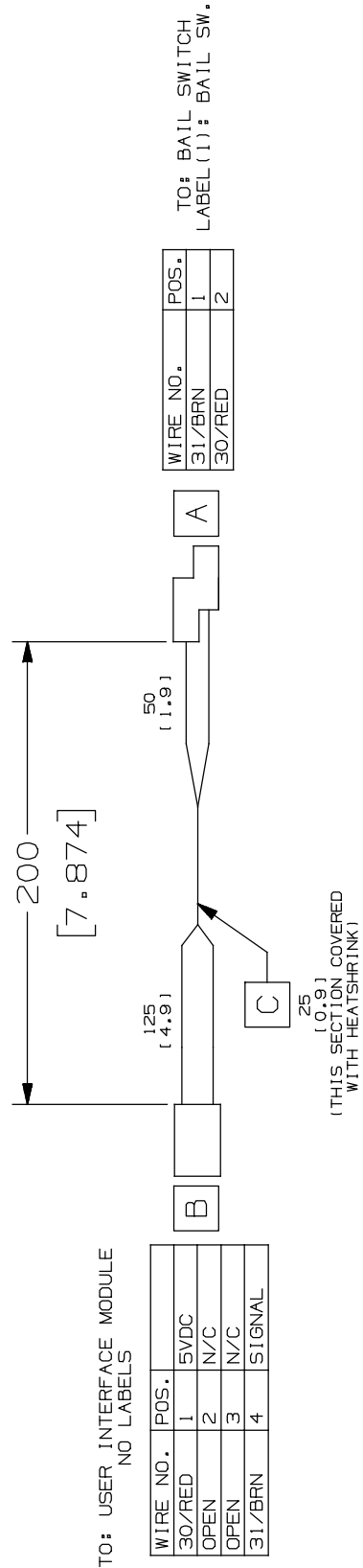
1073593



Part No.	Serial Number	Description	Qty.
1073593	(3000000- 4000000)	Harness, Ele [Vw, Op.Stat, Push]	1

ELECTRICAL HARNESS, BAIL SWITCH

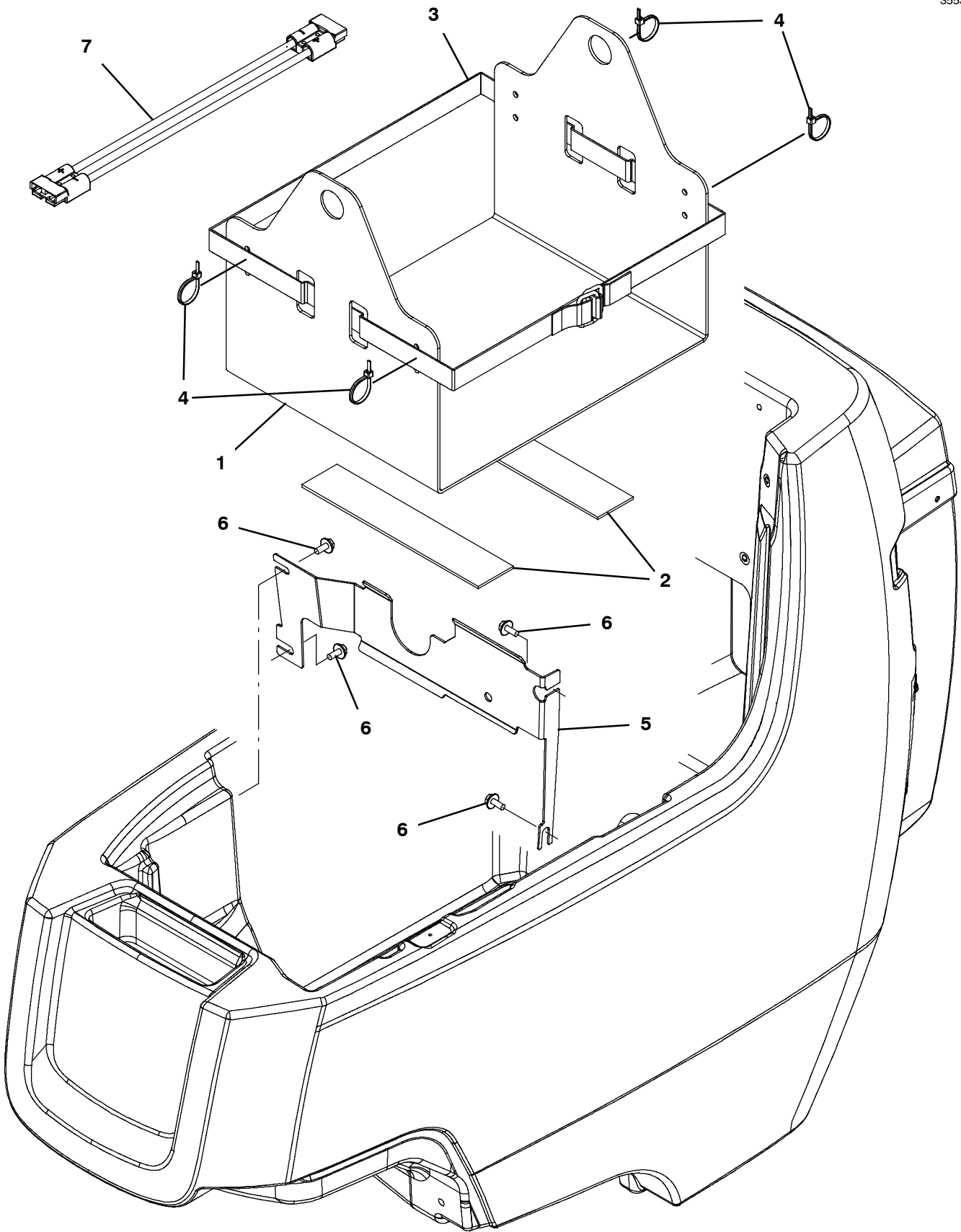
1072524



Part No.	Serial Number	Description	Qty.
1072524	(30000000- 40000000)	Harness, Ele [Bail Switch]	1

BATTERY LIFT OUT BOX KIT

355306



BATTERY LIFT OUT BOX KIT

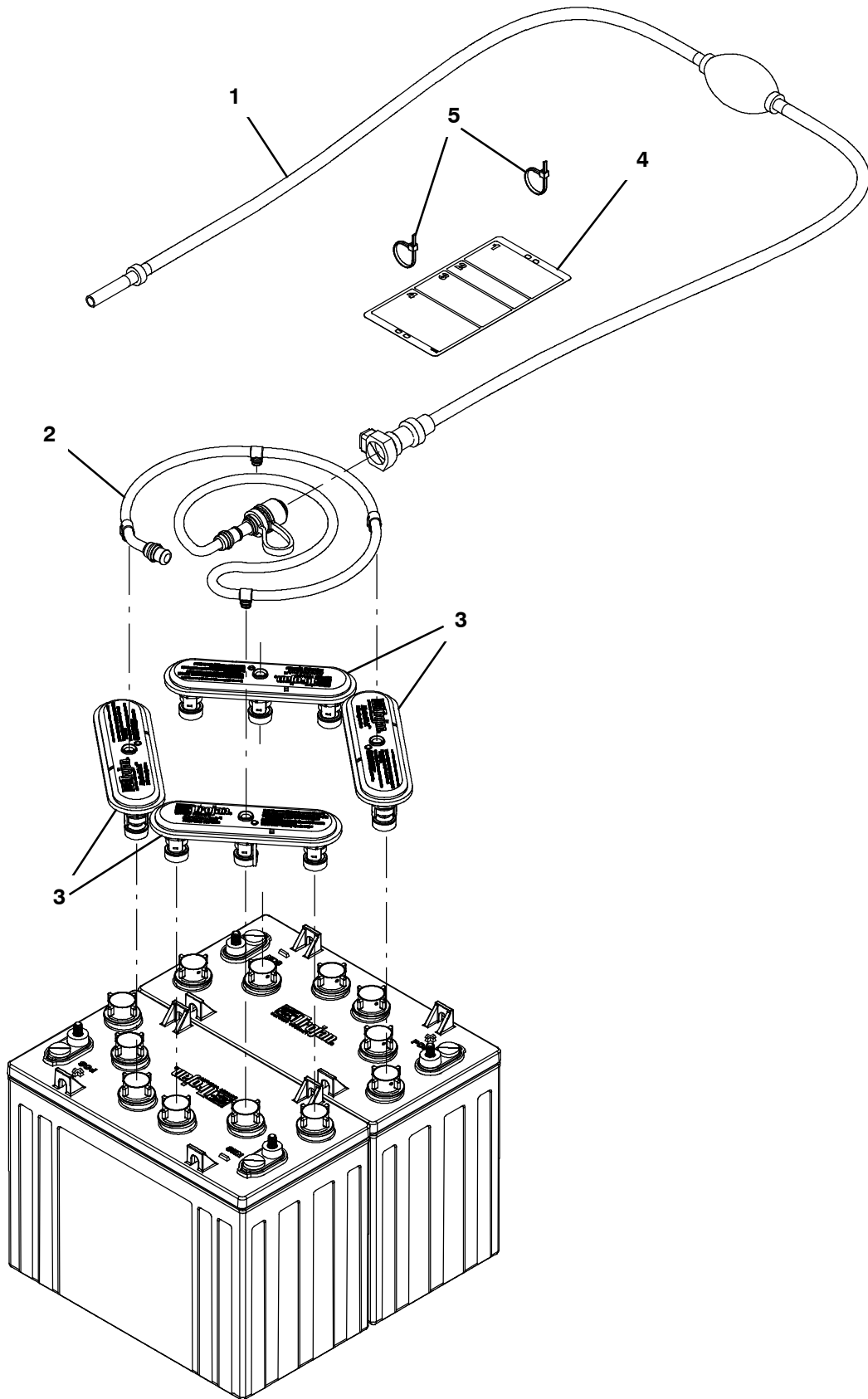
	Ref.	Part No.	Serial Number	Description	Qty.
▽		9014173	(30000000- 40000000)	Box Kit, Lift, Batt, Am [T300/E/Ss300]	1
▲	1	1207816	(30000000- 40000000)	Box, Battery [Lift- Out]	1
▲	2	1212689	(30000000- 40000000)	Pad, Box, Battery	2
▲	3	1208697	(30000000- 40000000)	Strap, Pyp, Buckle, Friction	1
▲	4	130773	(30000000- 40000000)	Tie, Cable, Nyl, 11.0l, .14w, 3.0 Max. D	4
▲	5	1214509	(30000000- 40000000)	Bracket, Deflector, Battery	1
▲	6	1034731	(30000000- 40000000)	Screw, Hex, M6 X 1.00 X 16, Sems, Ss	4
▲	7	1074798	(30000000- 40000000)	Cable, Adaptor, Batt [Sb120- Sb50, Red] (Off- Board Charger Models Only)	1

▽ ASSEMBLY

▲ INCLUDED IN ASSEMBLY

HYDROLINK® BATTERY WATERING SYSTEM KIT

355316



HYDROLINK® BATTERY WATERING SYSTEM KIT

Ref.	Part No.	Serial Number	Description	Qty.
▽	9010300	(30000000- 40000000)	Battery Fill Kit, 24v, Ci [Hydrolink] (For Use Only With 155AH Trojan Batteries)	1
▲	1 1058939	(30000000- 40000000)	Pump Kit, Fill, Battery	1
▲	2 1070394	(30000000- 40000000)	Tube, Water, Battery, 24vdc [Trojan]	1
▲	3 1204142	(30000000- 40000000)	Cap, Fill, Battery [Trojan]	4
▲	4 1071084	(30000000- 40000000)	Label, Tag, Battery [Hydrolink Watering]	1
▲	5 130773	(30000000- 40000000)	Tie, Cable, Nyl, 11.0l, .14w, 3.0 Max. D	2

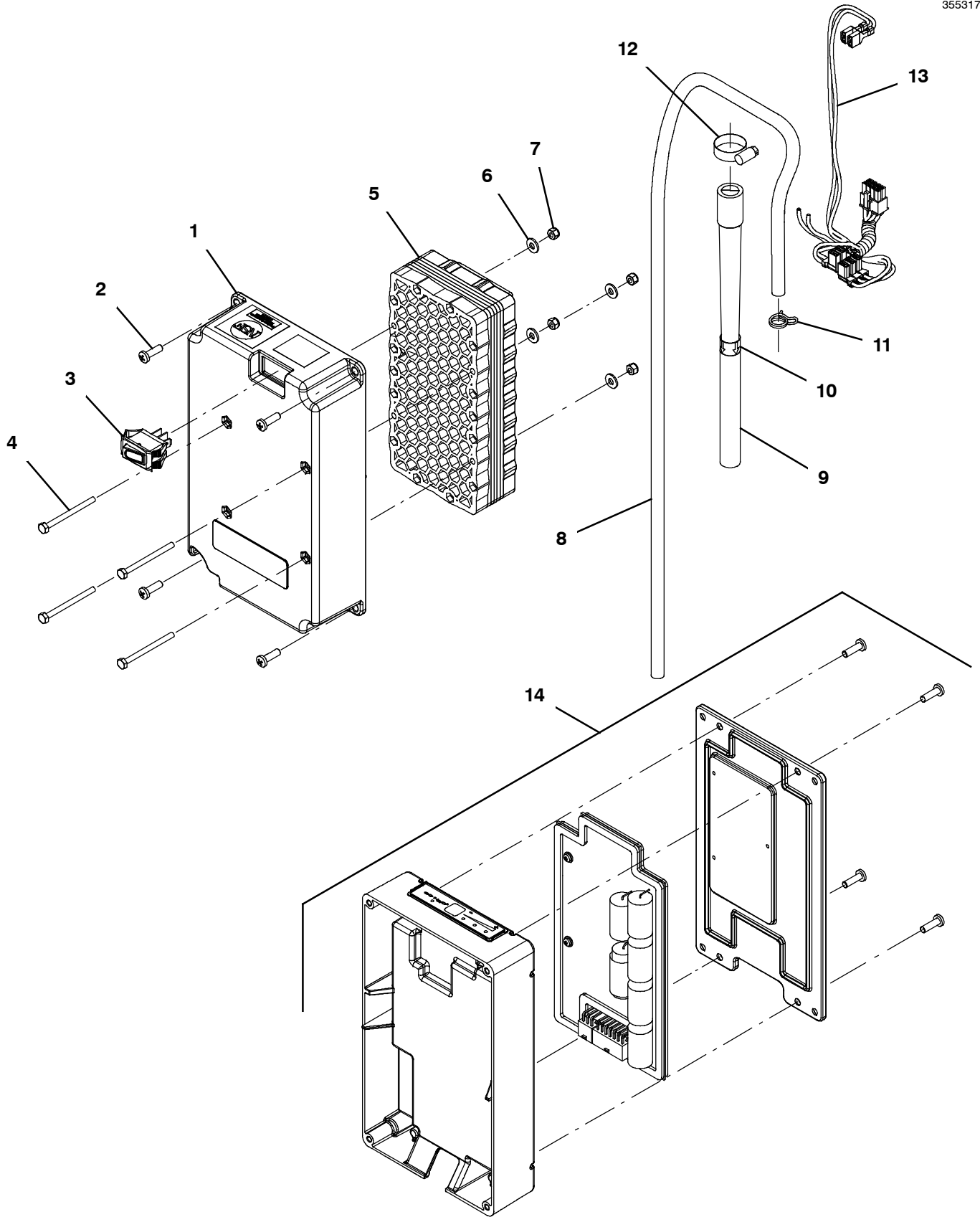
▽ ASSEMBLY

▲ INCLUDED IN ASSEMBLY

HYDROLINK® IS A REGISTERED TRADEMARK OF TROJAN BATTERY COMPANY.

ec- H2O NANOCLEAN MODULE BREAKDOWN

355317



ec- H2O NANOCLEAN MODULE BREAKDOWN

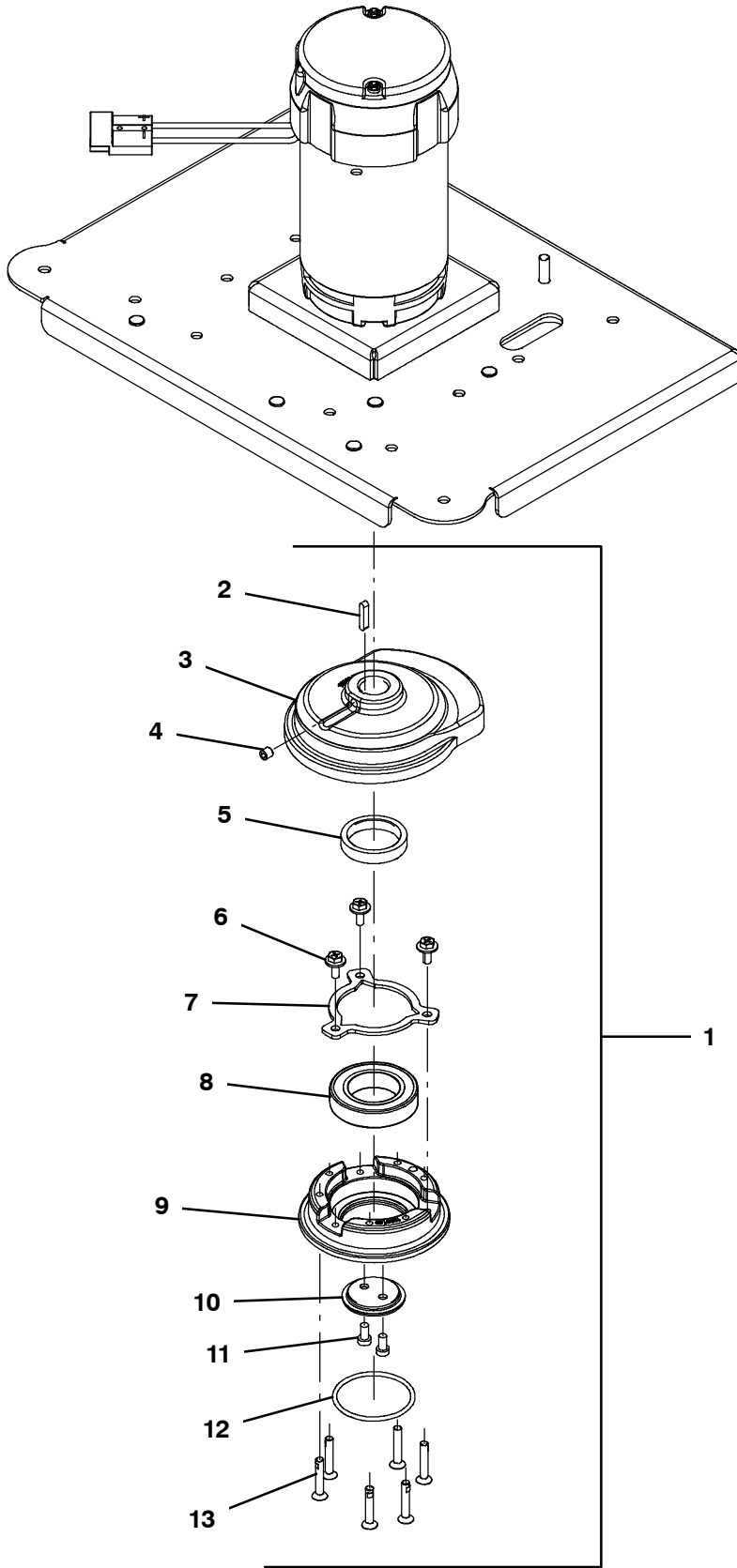
Ref.	Part No.	Serial Number	Description	Qty.
▽	9011810	(30000000- 40000000)	Module Kit, Replmt [Ec- H2o, B 02]	1
▲▽	9014126	(30000000- 40000000)	Ec- H2o Nc Kit [Module B, Plumbing]	1
▲▲	1 1208823	(30000000- 40000000)	Housing, Module, Upper, Ec- H2o	1
▲▲	2 1015506	(30000000- 40000000)	Screw, Pan, Phl, M5 X 16, Tcut [Plastic]	4
▲▲	3 1044393	(30000000- 40000000)	Switch, Rocker, Spst, Mom	1
▲▲	4 32509	(30000000- 40000000)	Screw, Hex, M4 X 0.70 X 50, Ss	4
▲▲	5 1208164	(30000000- 40000000)	Electrode, 5 Plate, High Flow	1
▲▲	6 41579	(30000000- 40000000)	Washer, Flat, 08, Ss	4
▲▲	7 33932	(30000000- 40000000)	Nut, Hex, Lock, M4 X 0.70, Ni, Ss	4
▲▲	8 1006415	(30000000- 40000000)	Hose, Afrmkt, Pvc, Clr, 0.25id, 03ft	1
▲▲	9 1208526	(30000000- 40000000)	Hose, Molded, Bm08/Bm06	1
▲▲	10 1049637	(30000000- 40000000)	Label, Direction [Ec- H2o]	1
▲▲	11 613735	(30000000- 40000000)	Clamp, Hose, Wir, .40 - .42, Yel	1
▲▲	12 54333	(30000000- 40000000)	Clamp, Hose, Wormdrive, 0.31- 0.88d, .31w	1
▲▲	13 1073286	(30000000- 40000000)	Harness, Ele, Module B2 [Ec- H2o]	1
▲	14 9014127	(30000000- 40000000)	Controller Kit, Replmt [Ec- H2o Nc]	1

▽ ASSEMBLY

▲ INCLUDED IN ASSEMBLY

ORBITAL HEAD ECCENTRIC DRIVE BREAKDOWN

355337



ORBITAL HEAD ECCENTRIC DRIVE BREAKDOWN

Ref.	Part No.	Serial Number	Description	Qty.
▽	1	9014175	(30000000- 40000000) Kit, Eccentric Assy, [T300]	1
▲	2	1014328	(30000000- 40000000) Key, Sq, 05mm X 05mm, 25mm	1
▲	3	N/A	(30000000- 40000000) Balance, Eccentric, Step [Machined]	1
▲	4	N/A	(30000000- 40000000) Screw, Set, M8 X 1.25 X 8, SS	1
▲	5	N/A	(30000000- 40000000) Spacer, Eccentric	1
▲	6	N/A	(30000000- 40000000) Screw, Hex, M6 X 1.00 X 16, Sems	3
▲	7	N/A	(30000000- 40000000) Plate, Retainer, Brg, Outer	1
▲	8	1206608	(30000000- 40000000) Bearing, Ball, 1.58b 2.68d 0.59w [2seal]	1
▲	9	N/A	(30000000- 40000000) Housing, Bearing, Outer [Machined]	1
▲	10	N/A	(30000000- 40000000) Retainer, Bearing, Inner [Qpq]	1
▲	11	N/A	(30000000- 40000000) Screw, Soc, M6 X 1.00 X 12, 8.8, Low	2
▲	12	1208266	(30000000- 40000000) O- Ring, 57.15 X 3.18, Nbr	1
▲	13	1212710	(30000000- 40000000) Screw, Flt, Soc, M6 X 1.00 X 35, 10.9,NI	6

▽ ASSEMBLY

▲ INCLUDED IN ASSEMBLY