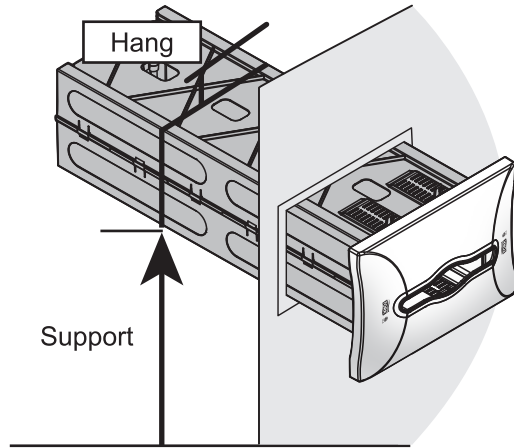
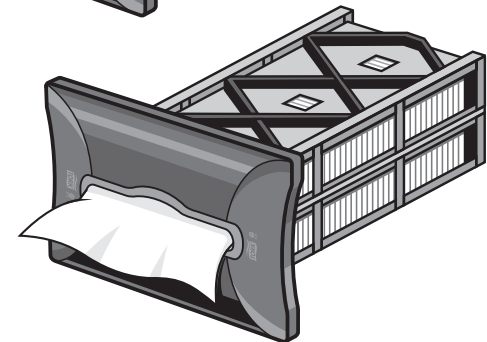
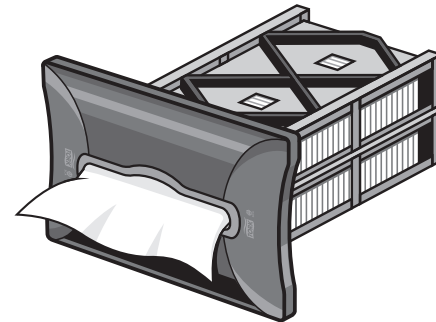


Horizontal Mounting  
(51cm depths)



Signature  
Design



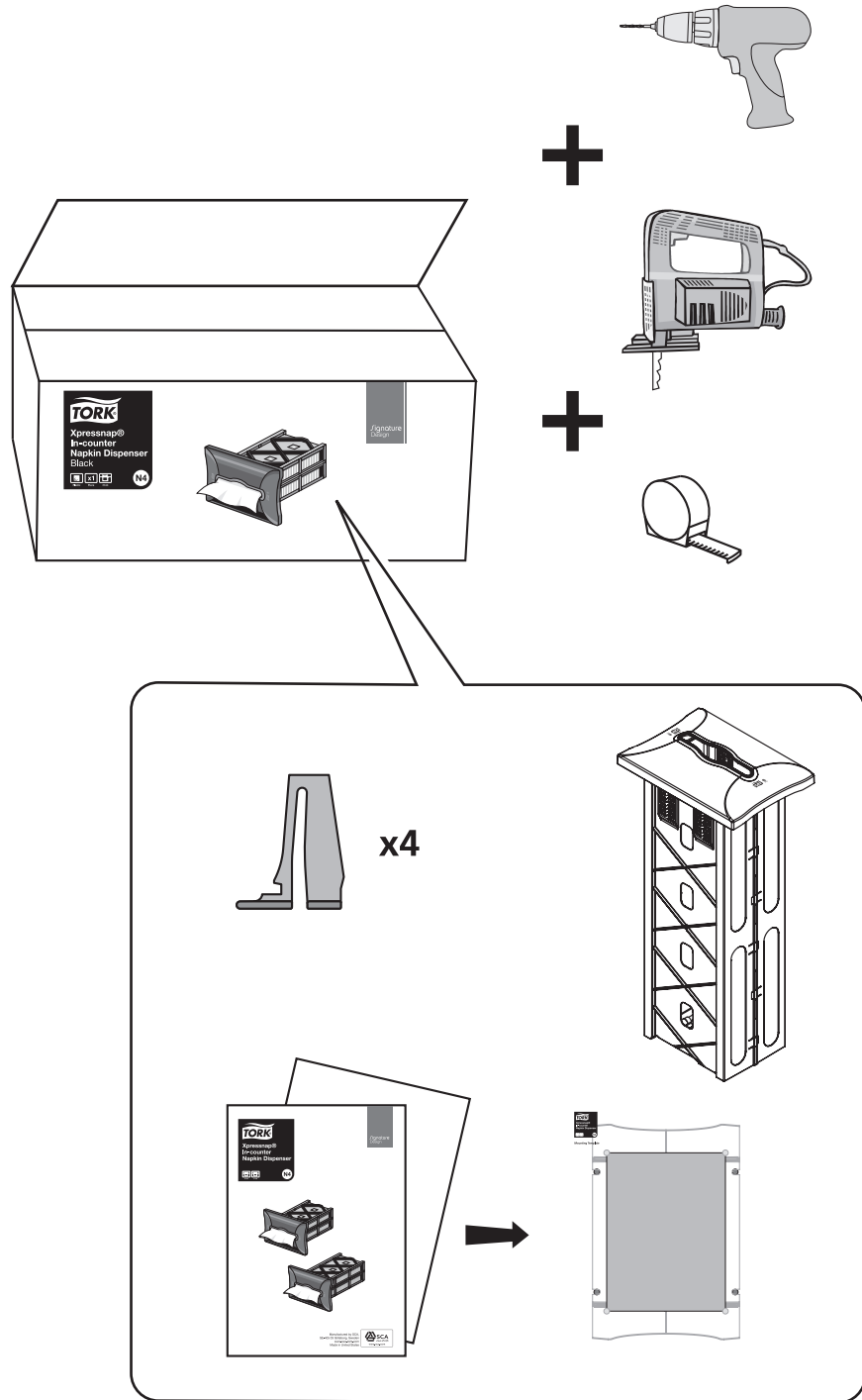
Manufactured by SCA,  
SE-405 03 Göteborg, Sweden  
[www.sca-tork.com](http://www.sca-tork.com)  
Made in United States



Manufactured by SCA,  
SE-405 03 Göteborg, Sweden  
[www.sca-tork.com](http://www.sca-tork.com)  
Made in United States

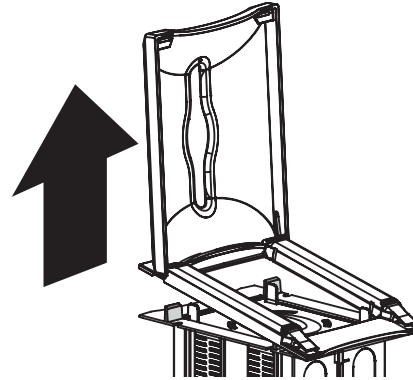


# Contents:

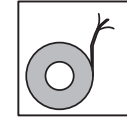
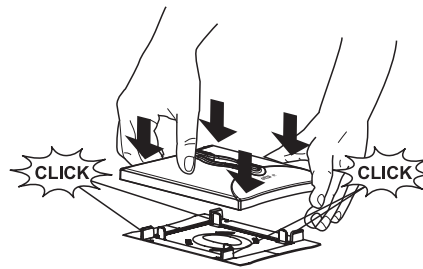


# Optional Installation Methods:

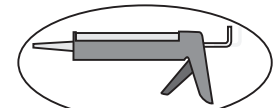
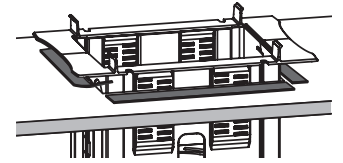
Before optional installation  
Remove Lid from Chute



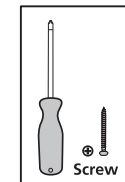
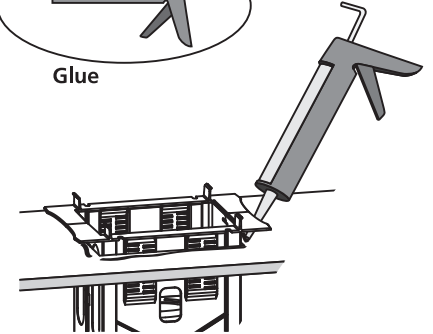
After optional installation  
Attach Lid to Chute



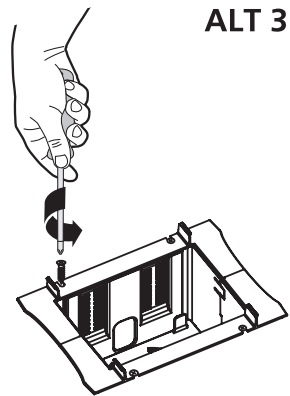
ALT 1



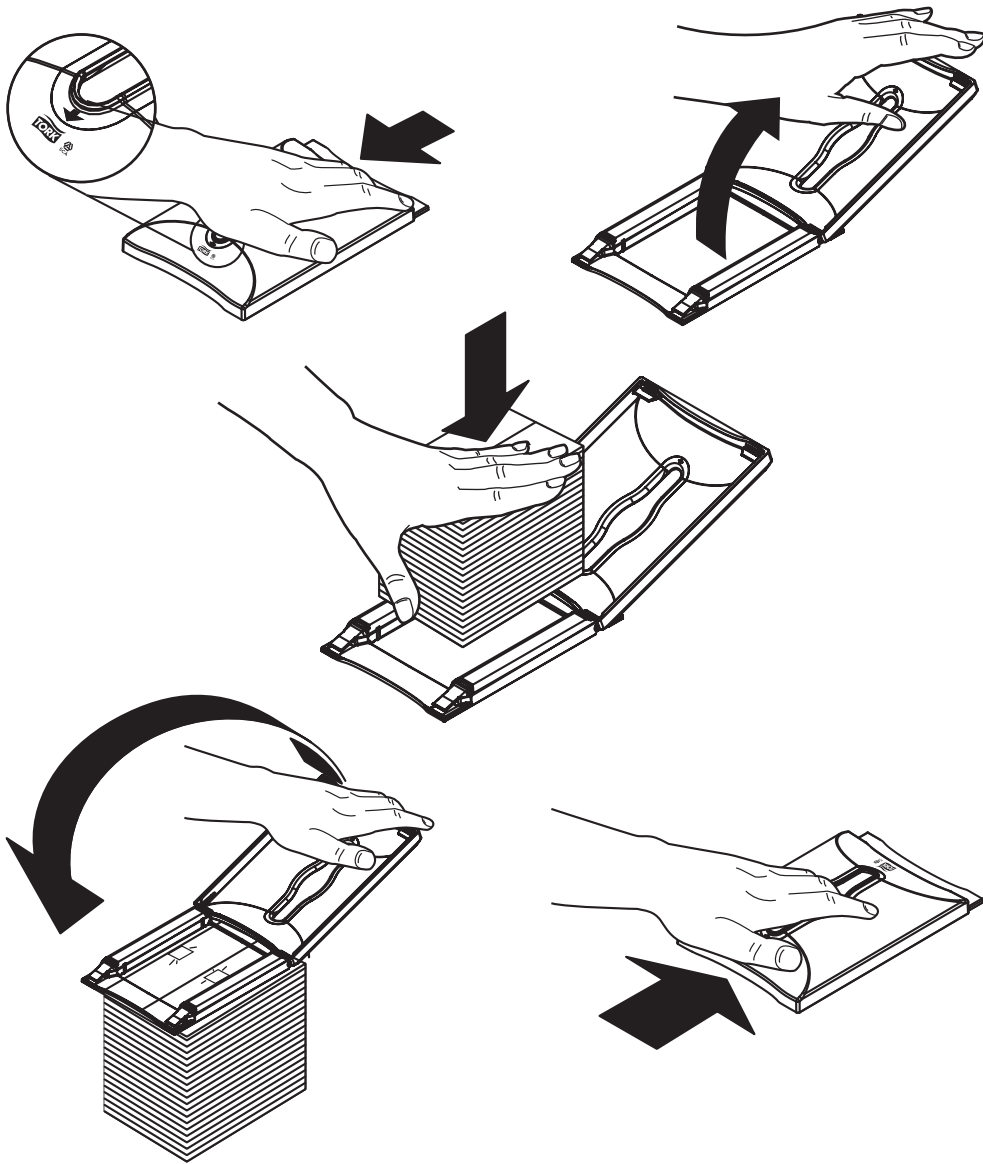
ALT 2



ALT 3

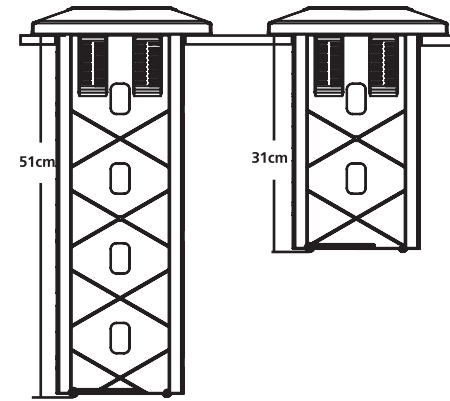


# Loading napkin: Opening-Loading-Closing

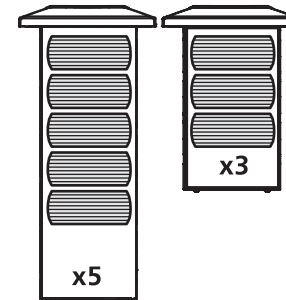


# Requirements

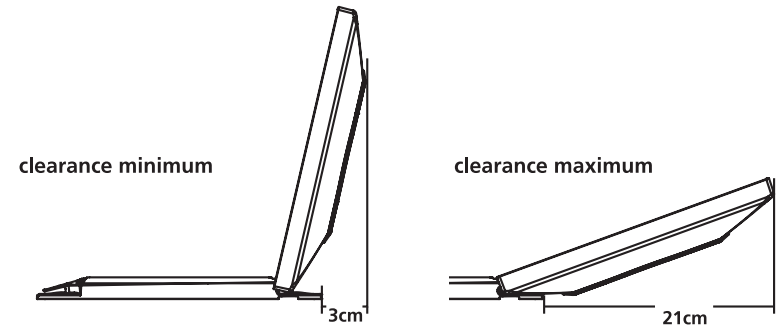
## Depth



## Napkins Capacity

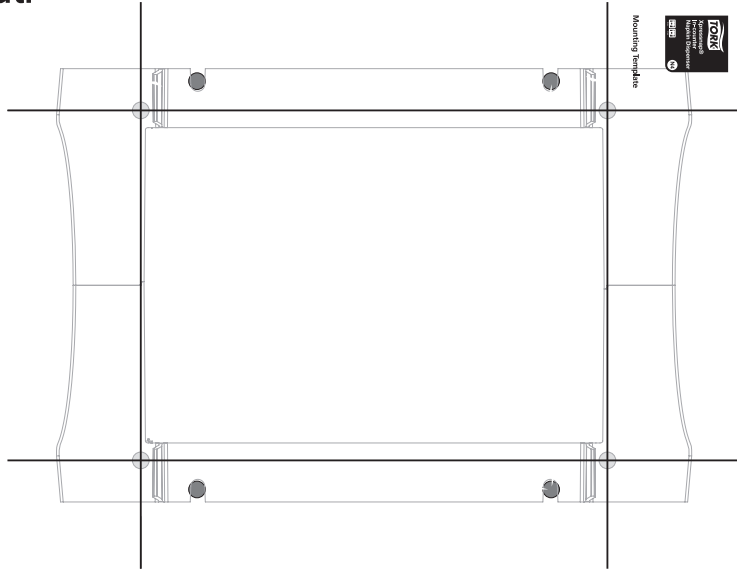


## Clearance

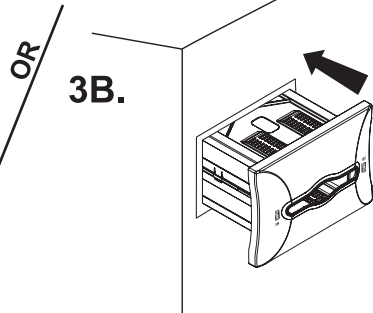
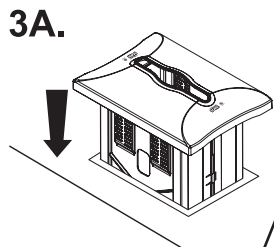
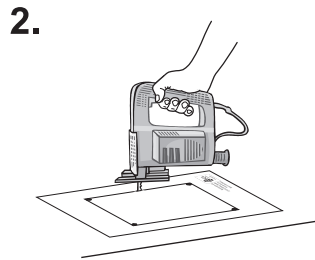
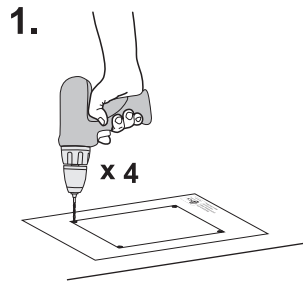


# Installation:

Cutout:



(See included template)



# Installation: Recommended method

