

HITACHI
Inspire the Next
SERVICE MANUAL

PTVC	No.0944E
-------------	-----------------

CV-975FC ECO

CONTENTS

1. PARTS LIST.....	2
2.1. CV-975FC ECO (GB)	
2. CONSTRUCTION DIAGRAM	5
3. CONNECTION DIAGRAM	6

SPECIFICATIONS

Rated voltage	: AC230V, 50Hz
Rated input	: IEC 800W, Max 880W
Motor	: Commutator motor
Speed	: 35,500 rpm.
Maximum air flow (without attachment)	: 1.9 m ³ / min. (67.1 cu.ft/min.)
Maximum static pressure	: 1,800 mm. H ₂ O (70.9 in H ₂ O)
Safety protector	: With 6.3A. Current Fuse
Power Cord	: 8 M.
Dust Capacity	: 18 L.
Weight (without attachment)	: 7.2 Kg.
Dimensions	: 475 mm. (W) X 383 mm.(L) X 557 mm. (H)

SPECIFICATIONS AND PARTS ARE SUBJECT TO CHANGE FOR IMPROVEMENT

VACUUM CLEANER

JUNE 2019

HITACHI CONSUMER PRODUCTS(THAILAND), LTD.

APPROVED	CHECKED	CHECKED	ISSUED

2. PARTLIST

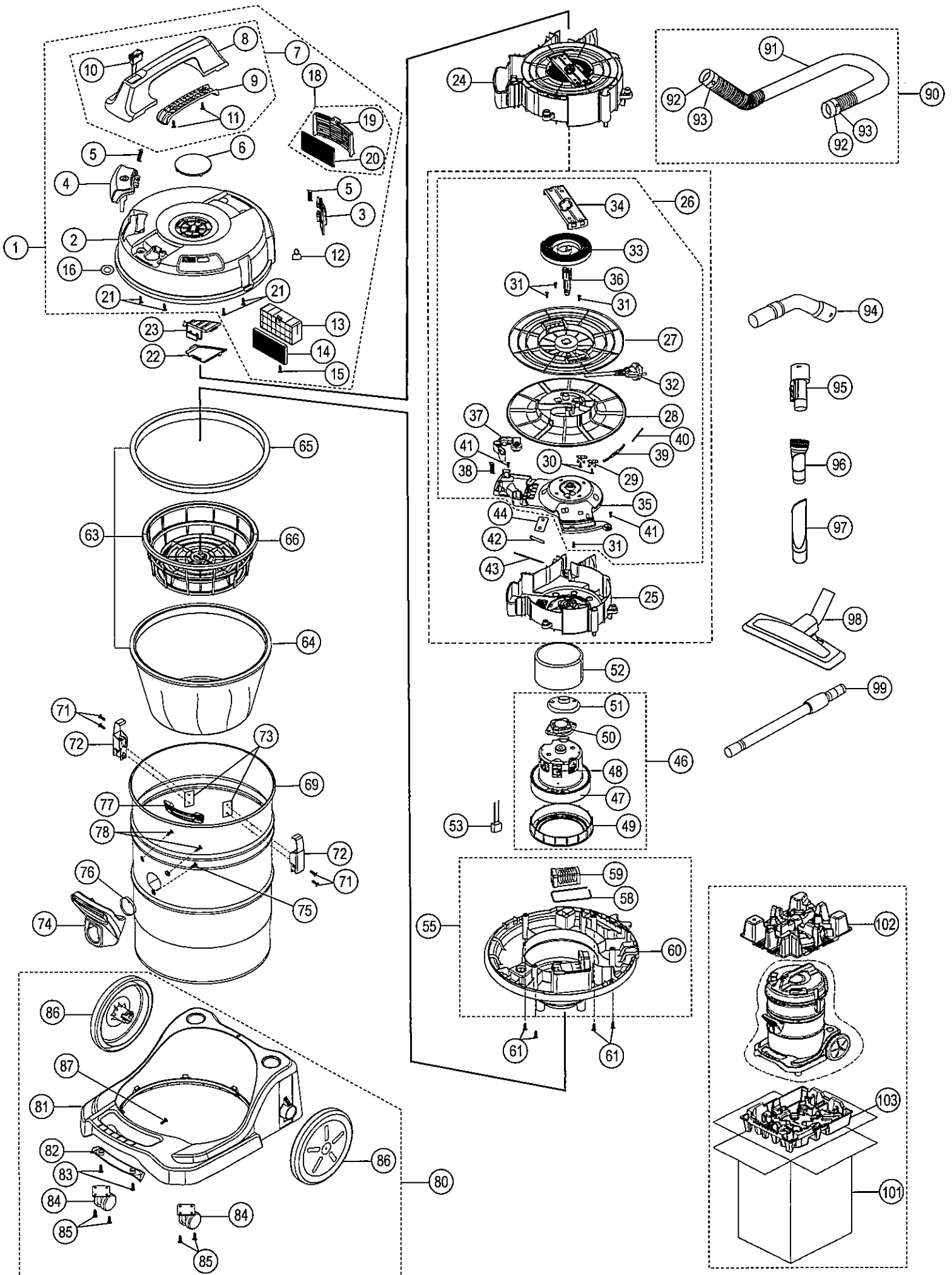
2.1 CV-975FC ECO (GB)

NO.	PARTS NO.	DESCRIPTION	Q'TY	PACKED Q'TY	REMARKS	ONLY FOR USE AT THE WORKS	
1	CV-975FC 001	UPPER CASE ASSY (GB)	1	1	Inc. 2-20	0VAP03818	B/V
2	_____	UPPER CASE DC (BK)	1			0VPP03663	1
3	_____	BLOWER COVER DC (BK)	1			2VPP11298	1
4	_____	CORD PEDAL (DC) OR	1			2VPP11297	1
5	_____	DB-HOLDER SPRING (BA)	2			3A4TP2737	1
6	_____	UPPER CASE COVER (DC) BK	1			2VPP11399	1
7	CV-995DC 002	HANDLE ASSY (DC)	1	1	Inc. 8-11	1VZP04735	AV
8	_____	HANDLE (DC) OB	1			1VPP04685	1
9	_____	HANDLE BASE (DC) OR	1			1VPP04686	1
10	_____	SWITCH ASSY KAN-D3-G-0	1			2J6ZL3789	D
11	_____	PPT SCREW M4X16 (BK)	2		For handle Base	3VPM03517	2
12	CV-950 931	E TERMINAL BRONZE	1	1		3B1EA5922	1/V
13	_____	HEPA CASE (DC) BK	1			2VPP11398	1
14	_____	HEPA CASE FILTER (DC)	1			3VPZ10924	1
15	_____	PPT SCREW M4X16	1		For Hepa Case	3VPD01939	1
16	_____	BYPASS PACKING CV-980BRJ	1			3L44N0065	1
17							
18	CV-995DC 003	EXHAUST COVER ASSY	1	1	Inc. 19-20	2VZP11420	AV
19	_____	EXHAUST COVER(DC)	1			1VPP04728	1
20	_____	EXHAUST FILTER NANO(DC)	1			3VPZ10930	1
21	_____	PPT SCREW M4X16	4		For Handle Assy	3VPD01939	1
22	CV-995DC 004	CORD INLET BASE(OR)	1	1		2VPP11501	1/V
23	CV-995DC 005	CORD INLET COVER (OR)	1	1		2VPP11500	1/V
24	CV-975FC 013	INNER CASE ASSY (ECO) VDE	1	1	Inc. 25 - 44	1VZP04740	E/V
25	_____	INNER CASE (DC) OR	1			1VPP04687	1
26	_____	CORD REEL ASSY (ECO) VDE	1		Inc. 27 - 40	1VZP04739	E
27	_____	REEL A (DC)	1			1VPP04689	1
28	_____	REEL B (DC)	1			1VPP04690	1
29	_____	CONTACT ASS'Y	2			2B1ZE8086	A
30	_____	PPT SCREW M4X12	2		For Cord Inlet	3VPD01939	3
31	_____	PPT SCREW M4X16	4			3VPD01939	1
32	_____	CORD ASSY (VDE) 282-2 (0.75X8350)	1			2B1XK6342	7
33	_____	CORD REEL SPRING (DC)	1			2VPM10390	1
34	_____	SPRING COVER T	1			2A9HE9532	1
35	_____	REEL SUPPORTER SUB ASSY (DC)	1			1VAP04773	A
36	_____	REEL AXLE (DC)	1			2VPP11299	1
37	_____	ROLLER LEVER ASSY (DC)	1			3VAP10952	A
38	_____	STOPPER SPRING(V420/H520)	1			3A4TF7808	1
39	CV-975FC 014	FUSE ASSY 6.3A(8028-F)	1	1		2J82E8028	F/V

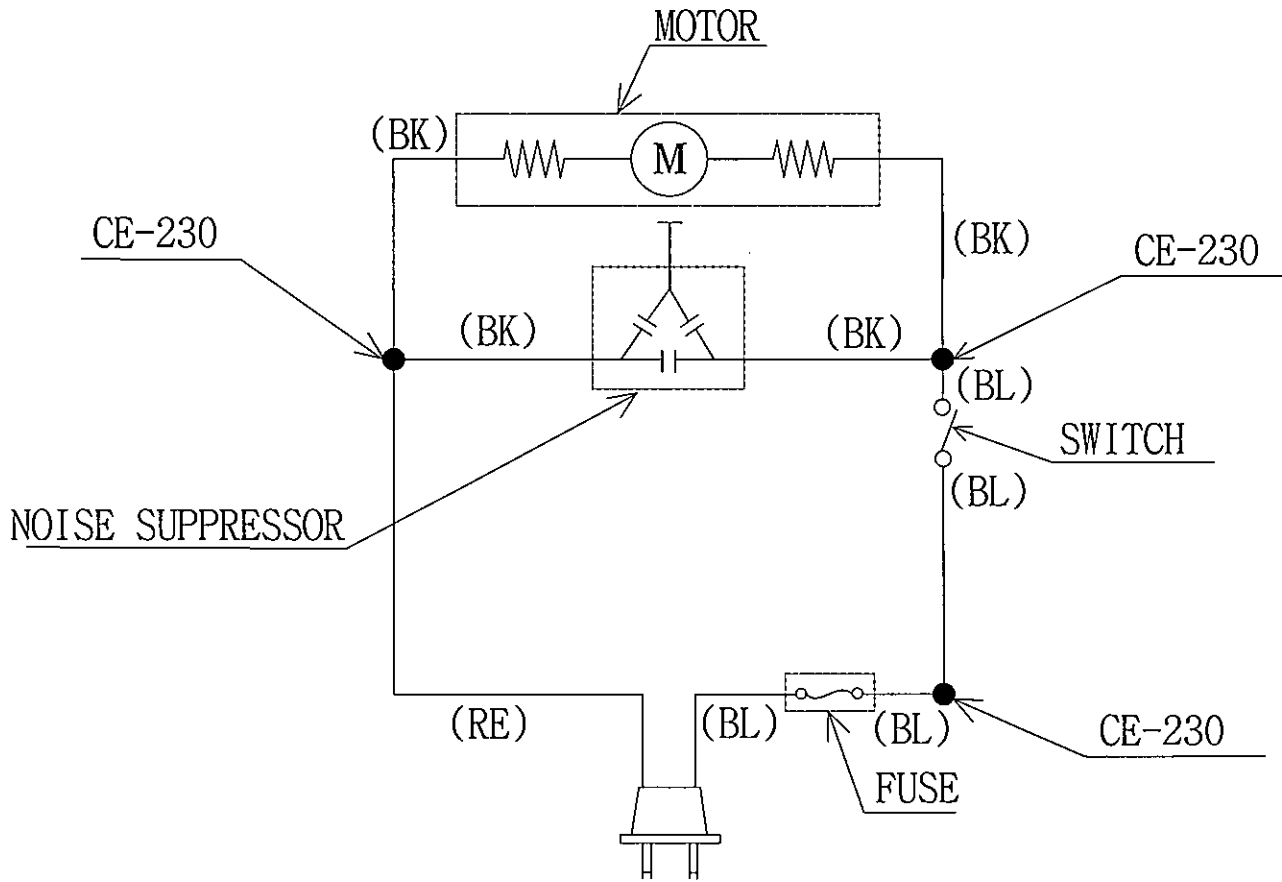
NO.	PARTS NO.	DESCRIPTION	Q'TY	PACKED Q'TY	REMARKS	ONLY FOR USE AT THE WORKS	
40	—————	LEAD WIRE (RE) 340 MM	1			3B1KK5295	7
41	—————	PPT SCREW M4X12	2		For Inner Case	3VPD01939	3
42	—————	CORD GUIDE(BK)	1			2A9LC8703	2
43	—————	TERMINAL ASSY(950)	1			3B1ZB8999	B
44	—————	FELT(S) CV-950	1			3L47J2235	1
45							
46	CV-400 009	MOTOR ASSY (TX) 900W	1	1	inc. 46-50	2K55J1423	EV
47	—————	MOTOR ASSY TXA 900W 230V	1			1K55E6077	A
48	CV-3160 902	BRUSH HOLDER ASS'Y	2	2		2C6ZH3678	B/V
49	CV-400 010	F-GASKET (900W)	1	1		3VPR10191	1/V
50	CV-400P 004	GASKET R (CV-400/400P)	1	1		2VPR11335	1/V
51	CV-3160 903	T-MOTOR SUPPORTER	1	1		1V1HD0711	1/V
52	CV-950BR 906	SILENCER ASS'Y(HI-EX)	1	1		3A8ZM7414	AV
53	CV-SP20V 903	NOISE CAPACITOR ASS'Y (220-240V)	1	1		2J1ZH9674	B/V
54							
55	CV-975FC 015	MOTOR BASE ASSY 975FC ECO	1	1	inc. 56 - 60	1VZP04732	EV
56	—————						
57	—————						
58	CV-975YR 906	INDICATOR PACKING	1	1		3L44J2238	2
59	CV-975FC 016	DUST INDICATOR ASSY 975FC ECO	1	1		2VAZ11564	G/V
60	—————	MOTOR BASE (DC)	1			0VPP03662	1
61	—————	PPT SCREW M4X25	4		For Motor Base Assy	3VPD01939	4
62							
63	CV-995DC 014	FILTER ASSY CV-995DC	1	1	inc. 64 - 66	2VZZ11421	AV
64	—————	FILTER ASSY (DC)	1			1VAZ04631	A
65	—————	FILTER RING(DC)	1			1VPP04693	1
66	—————	FILTER CAGE(DC)	1			1VPP04694	1
67							
68							
69	CV-975FC 017	TANK CV-975FC ECO (GB)	1	1		1VPM05331	B/V
70							
71	—————	SCREW M4X6	4		For Clamp Assy	3VPD01938	1
72	CV-940BK 909	CLAMP ASS'Y (950)	1	1		2A3QA2109	F/V
73	CV-950 928	CLAMP PLATE	1	1		4A3PA3271	1/V
74	CV-995DC 016	HOSE INLET (DC) OB	1	1		1VPP04688	1/V
75	—————	PTT SCREW M4X16	1		For Hose Inlet	3A3FN7652	1
76	CV-950 926	INLET PACKING	1	1		3L44M6082	1/V
77	CV-995DC 017	SCREW BASE (DC)	1	1		1VPP04692	1/V
78	—————	PTT SCREW M4X16	2		For Screw Base	3A3FN7652	1
79							
80	CV-995DC 018	WHEEL BASE (DC) ASSY	1	1	inc. 81 - 86	0VZP03780	AV
81	—————	WHEEL BASE (DC) OB	1			0VPP03664	1

NO.	PARTS NO.	DESCRIPTION	Q'TY	PACKED Q'TY	REMARKS	ONLY FOR USE AT THE WORKS
82	—————	WHEEL BASE COVER (DC) OR	1			2VPP11396 1
83	—————	PPT SCREW M4X16	2		For Wheel Base Cover	3VPD01939 1
84	—————	TWIN CASTOR	2			3L93P9458 1
85	—————	PPT SCREW M4X16	4		For Twin Castor	3VPD01939 1
86	—————	WHEEL 180 (BA) GR	1			1L93E0547 1
87	—————	PPT SCREW M4X12	1		For Wheel Base	3VPD01939 3
88						
89						
90	CV-950BJ 914	HOSE ASS'Y 2.0M	1	1	Inc. 91 - 93	2A1ZC8540 E/V
91	—————	CD HOSE(DO42.6)	1			1A1UE3397 2
92	—————	SEAL RING	2			3V2YM9308 1
93	—————	STOPPER RING(EX)	2			2V2YL3450 1
94	CV-945BK 903	HOSE COUPLING (P) DGR	1	1		2V2ZA8751 L/V
95	CV-790 912	HOSE COUPLING(B) ASS'Y	1	1		2A1ZK9841 A/V
96	CV-SH20V 935	DUSTING BRUSH ASS'Y	1	1		2V2ZC8940 B/V
97	CV-780DC 923	CREVICE NOZZLE(C40)	1	1		2V2EA7643 7/V
98	CV-940Y 909	R&F TOOL ASSY D321-ECO	1	1		1VZZ04502 B/V
99	CV-975FC 003	TELESCOPIC EXT PIPE(ST)-NH	1	1		1VPM05279 1/V
100						
101	CV-975FC 018	CARTON BOX SET CV-975FC ECO GB	1	1		2VAL13832 J/V
102	CV-995DC 020	UPPER PULP PACKING (DC)	1	1		1VPZ04736 1/V
103	CV-995DC 021	BASE PULP PACKING (DC)	1	1		1VPZ04737 1/V
104						
105						
106						
107						
108						
109						
110						
111						
112						
113						
114						
115						
116						
117						
118						
119						
120						
121						
122						
123						

2. CONSTRUCTION DIAGRAM CV-975FC



3. CONNECTION DIAGRAM CV-975FC



HITACHI
Inspire the Next

Printed in Thailand

CV-975FC ECO PTV No.0944E

HITACHI CONSUMER PRODUCTS(THAILAND), LTD.