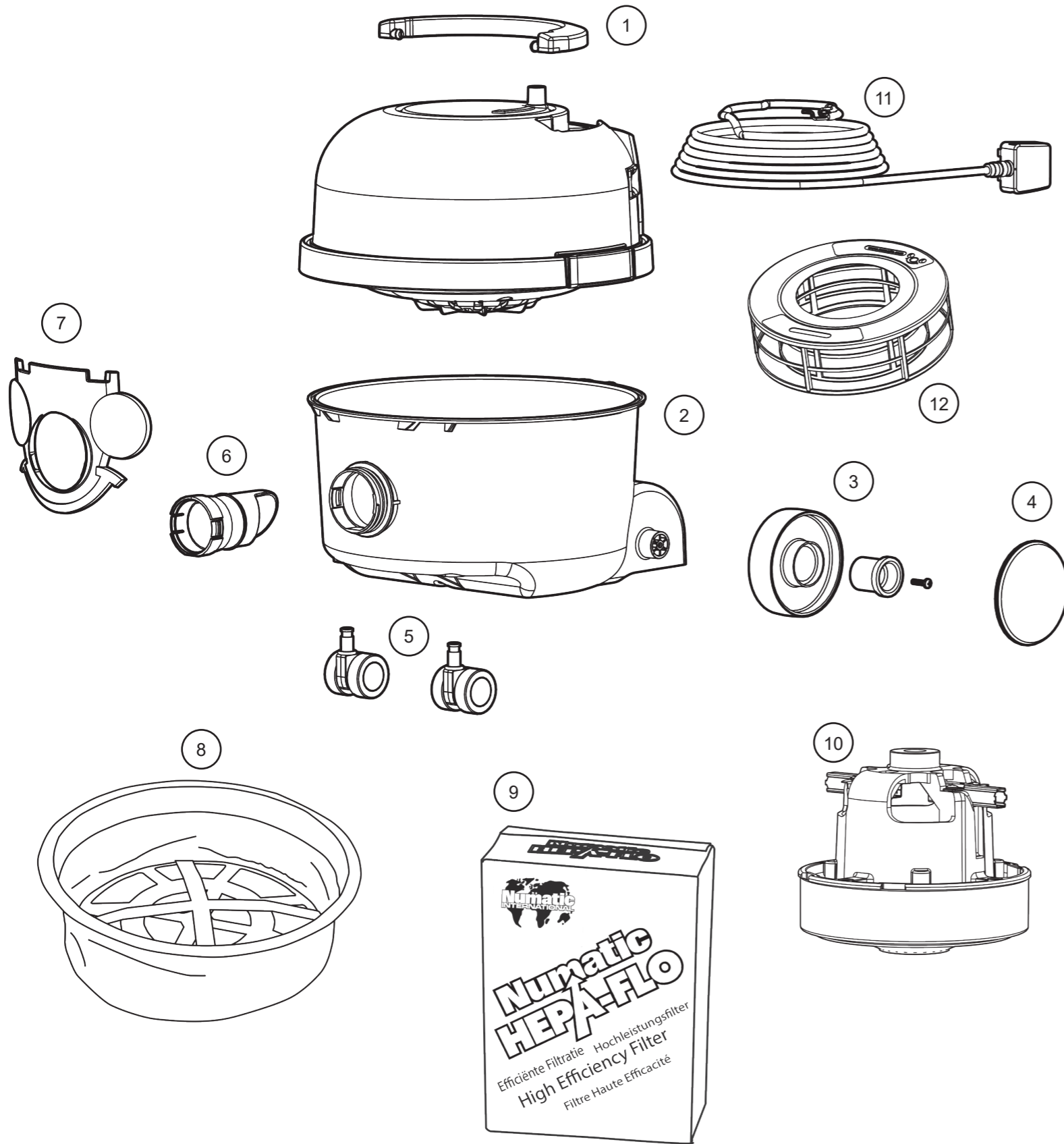
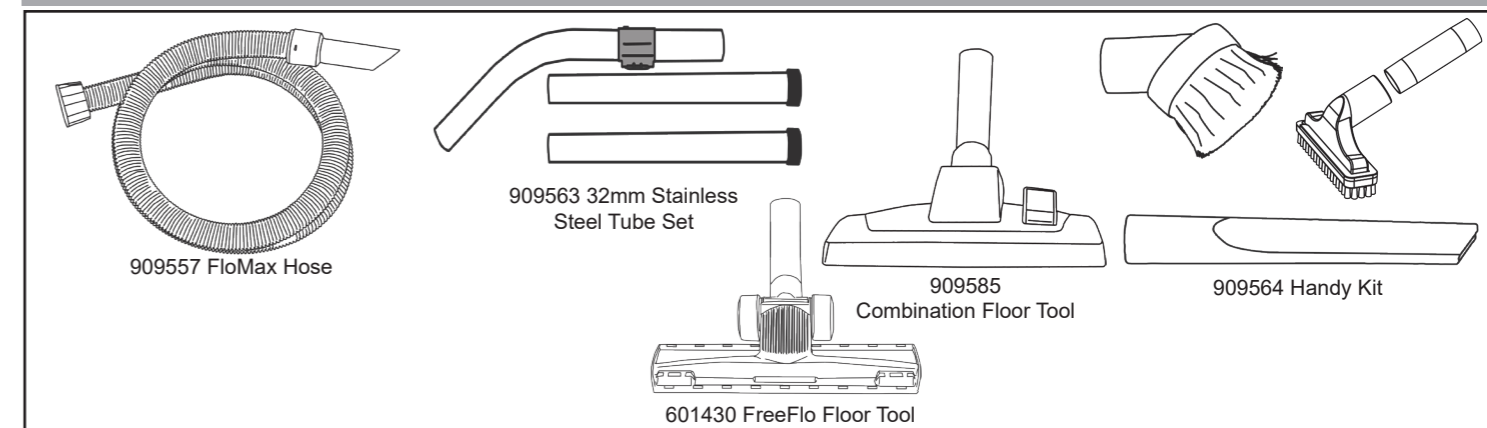


Exploded Spare Parts HVA160-11 (HENRY Allergy)



Num	Description	Num			
1	Reeler handle	227120			
2	11 Inch 160 Drum with accessory with storage (Summer Blue) + Henry face	909353			
3	Wheel hub for 2 shot wheel x 2 off	227868			
	Henry Wheel 2 shot moulding x 2 off	227640			
	NO8.5/8 Inch long pozi-pan screw z/pl plastite (3) x 2 off	219105			
4	Coloured wheel disc (Summer Blue) (Pack of 2)	227621			
5	40mm Twin wheel castor with PU tyre (Pack of 2)	204000			
6	Dry 11 inch diffuser neck	237009			
7	11 Inch Henry snap face (Summer Blue)	909351			
8	11" TriTex filter (Dry only use)	909560			
9	Pack o 3 NVM-1CH HepaFlo bags	909291			
	Box of 5 NVM-1CH HepaFlo bags	907076			
	Pack of 10 NVM-1CH HepaFlo Bags	907075			
10	230V Single stage thru flow fan motor (DLI 653T) TCO (620) (UK)	205840			
11	10 Metre X 0.75MM X 2 Core (UK plug)	236115	11	8 Metre x 18AWG x 2 Core (CSA plug)	904060
	10 Metre X 0.75MM X 2 Core (European plug)	236300		10 Metre X 0.75MM X 2 Core (South Africa plug)	236036
	10 Metre X 0.75MM X 2 Core (Swiss plug)	236047		10 Metre X 0.75MM X 2 Core (Australia plug)	236044
12	Post motor filter H13	907044			

Genuine Accessories (909193 Kit AS9)



Numatic International Limited, Chard, Somerset, TA20 2GB
 Telephone: 01460 68600
 Fax: 01460 68458

UNITED KINGDOM: www.numatic.co.uk
 NETHERLANDS: www.numatic.nl
 PORTUGAL: www.numatic.pt

GERMANY: www.numatic.de
 SWITZERLAND: www.numatic.ch
 SPAIN: www.numatic.es

FRANCE: www.numatic.fr
 SOUTH AFRICA: www.numatic.co.za

www.numatic.co.uk

Specification subject to change without prior notice
www.numatic.co.uk © Numatic International Limited

MED-000903 01/21 (A02)