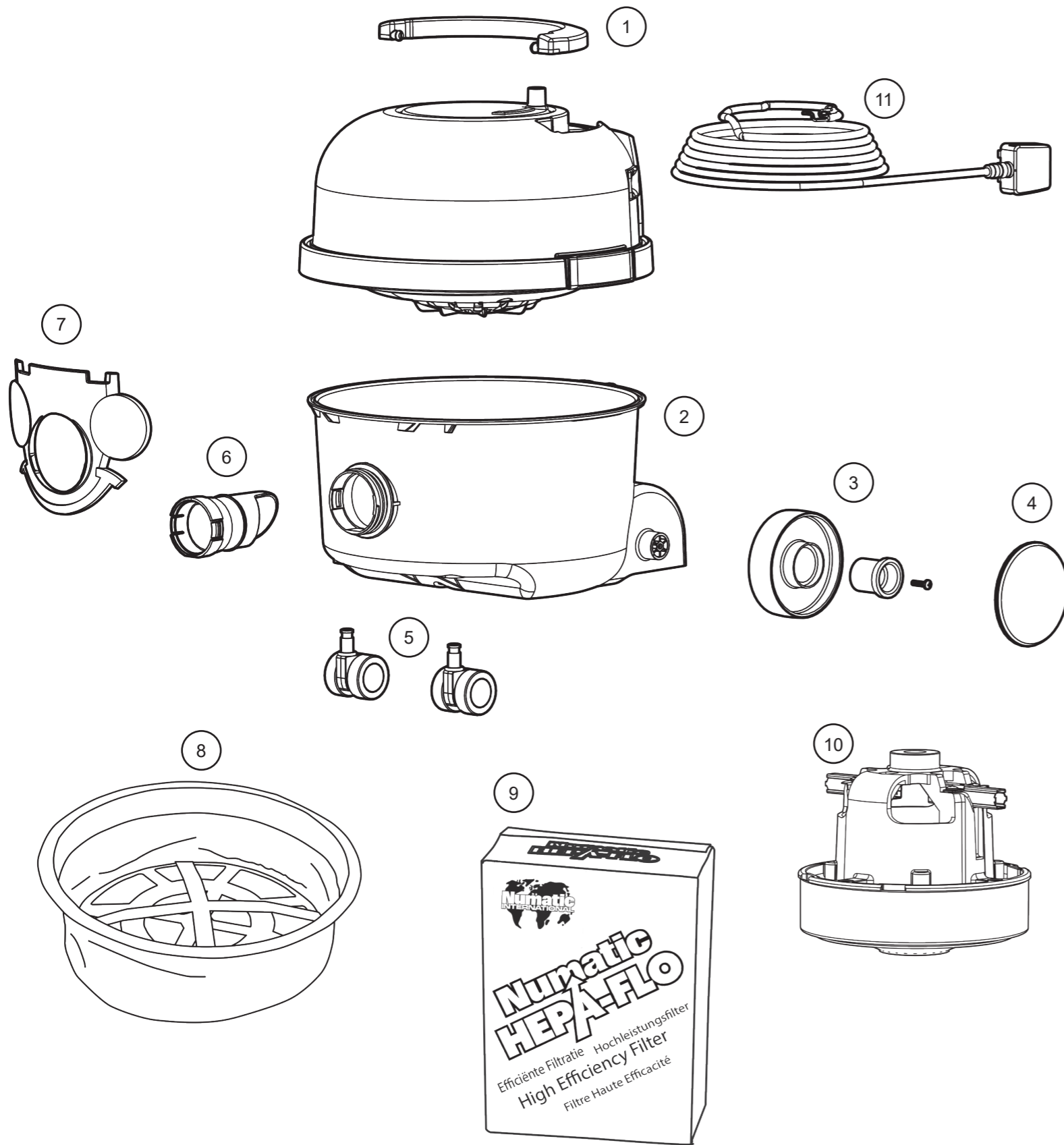
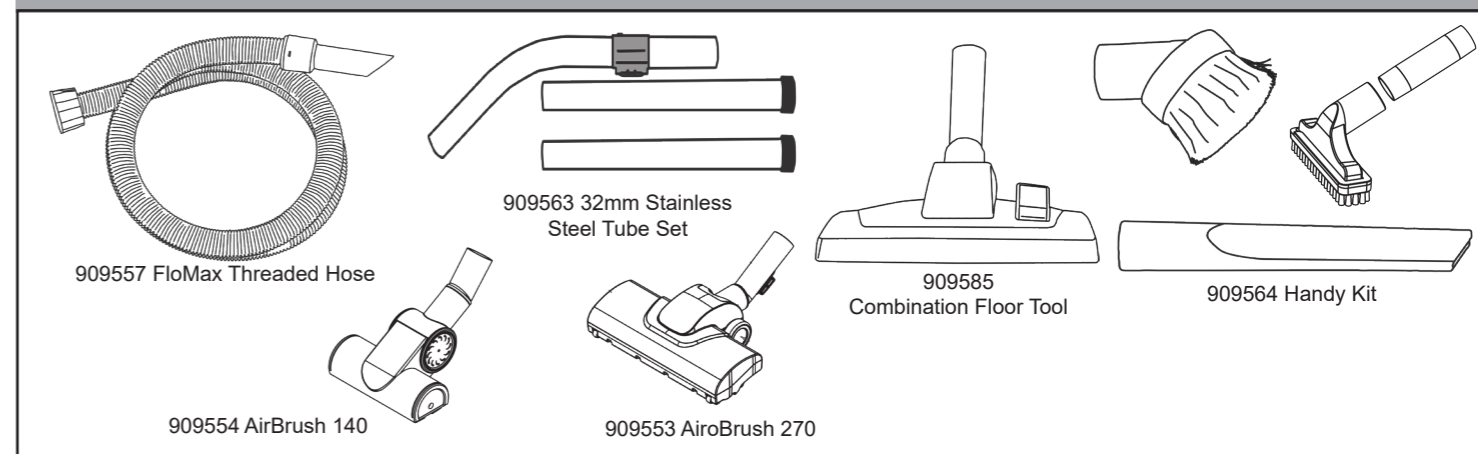


# Exploded Spare Parts HCP160-11 (HENRY PETCARE)



Num	Description	Num			
1	Reeler handle	227120			
2	11 Inch 160 drum with accessory with storage (Green) + Henry face	909344			
3	Wheel hub for 2 shot wheel x 2 off	227868			
	Henry wheel 2 shot moulding x 2 off	227640			
	NO8.5/8 inch long pozi-pan screw Z/pl Plastite (3) x 2 off	219105			
4	Coloured wheel disc (Green) (Pack of 2)	227689			
5	40mm Twin wheel castor with PU tyre (Pack of 2)	204000			
6	Dry 11 inch diffuser neck	237009			
7	11 Inch Henry snap face (Green)	909345			
8	11 Inch MicroFresh filter + grid (Dry only use)	909562			
9	Pack of 3 NVM-1CH HepaFlo bags	909291			
	Box of 5 NVM-1CH HepaFlo bags	907076			
	Pack of 10 NVM-1CH HepaFlo Bags	907075			
10	230V Single stage TF motor (DLI 653T) TCO (6210820147) (UK)	908947			
11	10 Metre X 0.75MM X 2 Core (UK plug)	236115	11	8M x 18AWG x 2 Core (CSA plug)	904060
	10 Metre X 0.75MM X 2 Core (European plug)	236300		10 Metre X 0.75MM X 2 Core (South Africa plug)	236036
	10 Metre X 0.75MM X 2 Core (Swiss plug)	236047		10 Metre X 0.75MM X 2 Core (Australia plug)	236044

## Genuine Accessories (909145 Kit HS0)



Numatic International Limited, Chard, Somerset, TA20 2GB  
 Telephone: 01460 68600  
 Fax: 01460 68458

UNITED KINGDOM: [www.numatic.co.uk](http://www.numatic.co.uk)  
 NETHERLANDS: [www.numatic.nl](http://www.numatic.nl)  
 PORTUGAL: [www.numatic.pt](http://www.numatic.pt)

GERMANY: [www.numatic.de](http://www.numatic.de)  
 SWITZERLAND: [www.numatic.ch](http://www.numatic.ch)  
 SPAIN: [www.numatic.es](http://www.numatic.es)

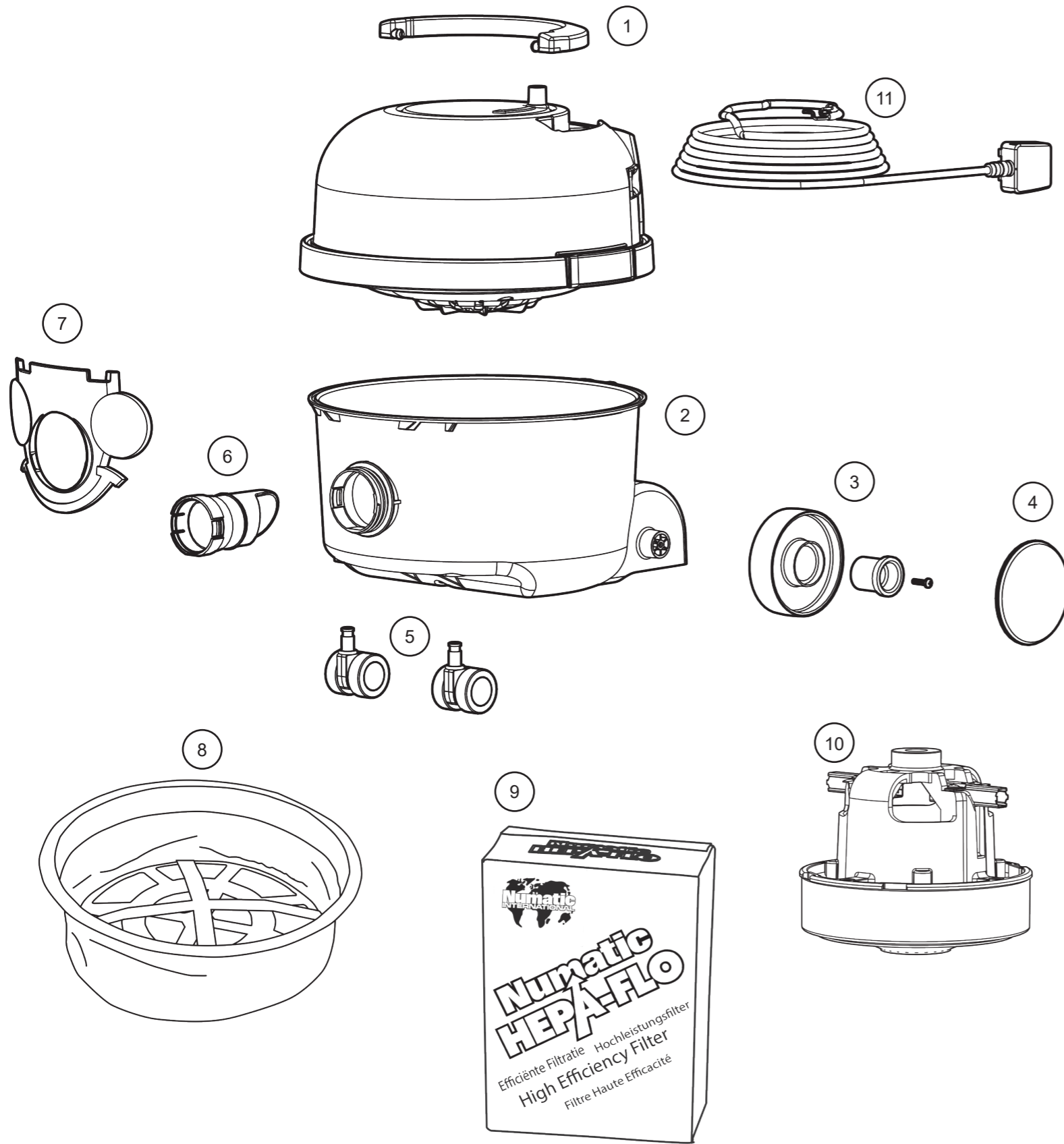
FRANCE: [www.numatic.fr](http://www.numatic.fr)  
 SOUTH AFRICA: [www.numatic.co.za](http://www.numatic.co.za)

[www.numatic.co.uk](http://www.numatic.co.uk)

Specification subject to change without prior notice  
[www.numatic.co.uk](http://www.numatic.co.uk) © Numatic International Limited

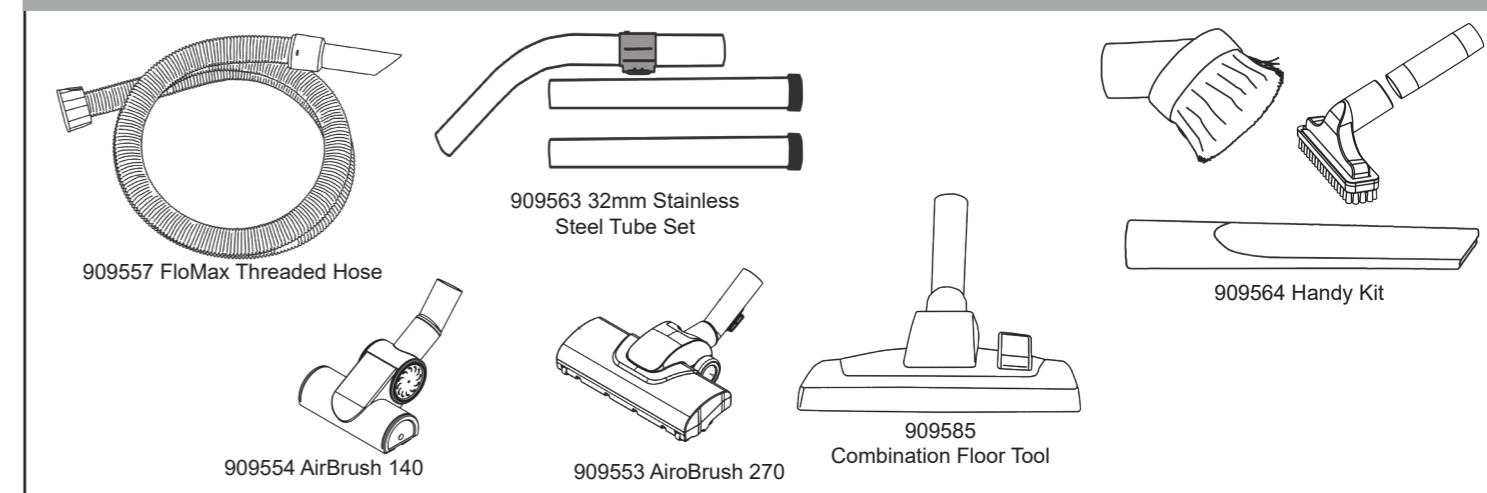
MED-000904 01/21 (A02)

# Exploded Spare Parts HPC200-11 (HENRY PETCARE)



Num	Description	Num			
1	Reeler handle	227120			
2	12 inch 200 Drum with accessory with storage (GREEN) + Henry face	907116			
3	Wheel hub for 2 shot wheel	227868			
	Henry Wheel 2 shot moulding	227640			
	NO8.5/8 Inch long pozi-pan screw z/pl plastite	219105			
4	Coloured wheel disc (GREEN)	227689			
5	40mm Twin wheel castor with PU tyre	204000			
6	DRY 12 Inch diffuser neck	237119			
7	12 Inch Henry snap face (GREEN)	903947			
8	12" MicroFresh filter (Dry only use)	909561			
9	Pack of 3 NVM-1CH HepaFlo bags	909291			
	Box of 5 NVM-1CH HepaFlo bags	907076			
	Box of 10 NVM-1CH HepaFlo bags	907075			
10	230V Single stage thru flow fan motor (DLI 653T) TCO (620)	908947			
11	10 Metre X 0.75MM X 2 Core (UK plug)	236115	11	8M x 18AWG x 2 Core(CSA plug)	904060
11	10 Metre X 0.75MM X 2 Core (European plug)	236300	11	10 Metre X 1.00MM X 2 Core (South Africa plug)	236036
11	10 Metre X 0.75MM X 2 Core (Swiss plug)	236047	11	10 Metre X 1.00MM X 2 Core (Australia plug)	236044

## Genuine Accessories (909145 Kit HS0)



Numatic International Limited, Chard, Somerset, TA20 2GB  
 Telephone: 01460 68600  
 Fax: 01460 68458

UNITED KINGDOM: [www.numatic.co.uk](http://www.numatic.co.uk)  
 NETHERLANDS: [www.numatic.nl](http://www.numatic.nl)  
 PORTUGAL: [www.numatic.pt](http://www.numatic.pt)

GERMANY: [www.numatic.de](http://www.numatic.de)  
 SWITZERLAND: [www.numatic.ch](http://www.numatic.ch)  
 SPAIN: [www.numatic.es](http://www.numatic.es)

FRANCE: [www.numatic.fr](http://www.numatic.fr)  
 SOUTH AFRICA: [www.numatic.co.za](http://www.numatic.co.za)

[www.numatic.co.uk](http://www.numatic.co.uk)

Specification subject to change without prior notice  
[www.numatic.co.uk](http://www.numatic.co.uk) © Numatic International Limited

MED-000907 02/22 (A02)