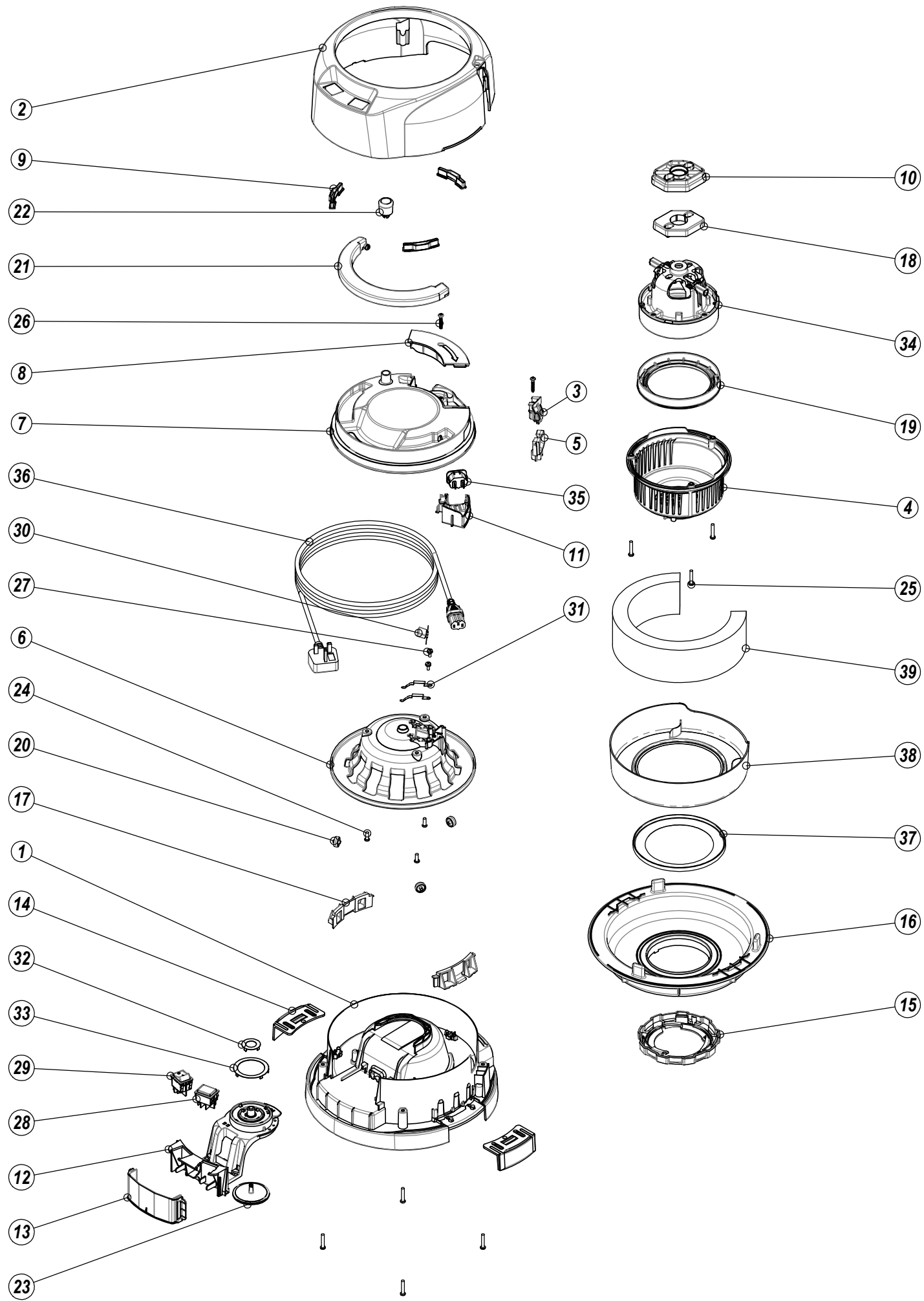


Numatic International Spare Parts

Model No: HEAD STYLE 40 (NO FILTER) - EXPLODED DRAWING

911878 24/02/2021
DRAWING: DRW-32771
ISS:A02.01



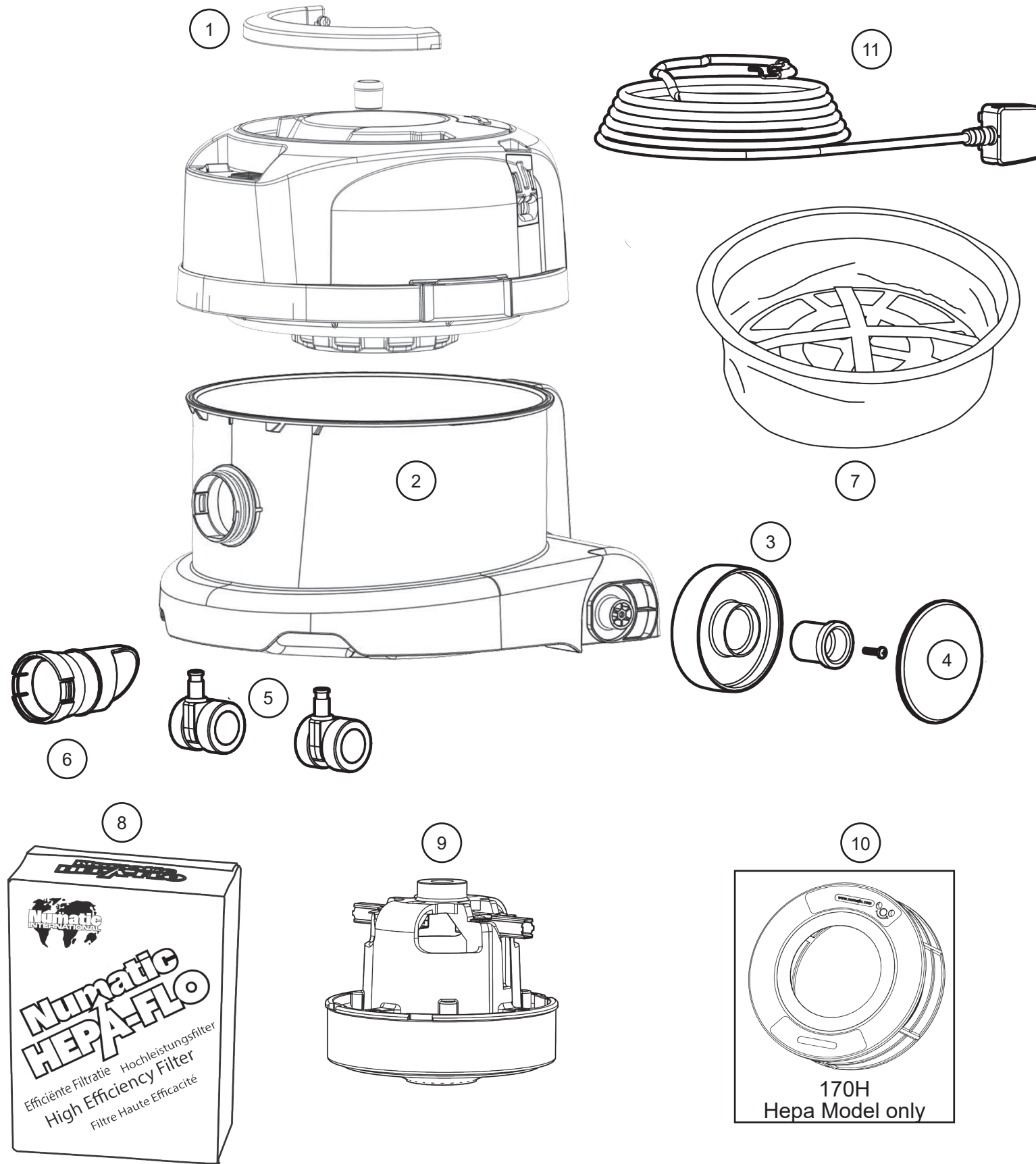
Numatic International Spare Parts

Model No: HEAD STYLE 40 (NO FILTER) - EXPLODED DRAWING

| POS. | ITEM NO. | DESCRIPTION | QTY. | NOTE |
|------|-------------------|--|------|--------------------------------|
| 1 | 911477 | MOTOR-HOUSING-FRONT-SWITCH | 1 | |
| 2 | 911229 | PLUGGED-REELER-COVER | 1 | |
| 3 | 911478 | PLUGGED CABLE ENTRY UPPER | 1 | |
| 4 | 911472 | MOTOR-POD-FRONT-SWITCH | 1 | |
| 5 | 911230 | PLUGGED CABLE ENTRY LOWER | 1 | |
| 6 | 911259 | PLUGGED-REELER-LOWER (PUSH FIT CONTACTS) WITH INSERTS | 1 | |
| | 911437 | PLUGGED-REELER-LOWER (PUSH FIT CONTACTS) (FR) WITH INSERTS | | V45/V69/V71 MODELS ONLY |
| 7 | 911233 | PLUGGED-REELER-UPPER | 1 | |
| | 911402 | PLUGGED-REELER-UPPER (FR) | | V45/V69/V71 MODELS ONLY |
| 8 | 911232 | REELER PLUG ACCESS PANEL | 1 | |
| | 911434 | REELER PLUG ACCESS PANEL (FR) | | V45/V69/V71 MODELS ONLY |
| 9 | 911234 | PLUGGED-REELER-SPACER | 3 | |
| 10 | 911547 | SHORT STACK MOTOR ADAPTOR (ALLERGY) | 1 | FOR USE WITH 908947 MOTOR ONLY |
| 11 | 912658 | REELER SOCKET SADDLE (FR) | 1 | |
| 12 | 901589 | MODULE-ELECTRICAL | 1 | |
| | 901588 | MODULE-ELECTRICAL (FR) | | V45/V69/V71 MODELS ONLY |
| 13 | 901591 | COVER-MODULE-ELECTRICAL | 1 | |
| | 901592 | COVER-MODULE-ELECTRICAL (FR) | | V45/V69/V71 MODELS ONLY |
| 14 | 907051 | SLIDING TOGGLE | 2 | |
| 15 | 907004 | LOCK-RING | 1 | |
| 16 | 906998 | POST MOTOR FILTER HOUSING | 1 | |
| 17 | 907068 | TOGGLE LOCKING LATCH | 2 | |
| 18 | 907002 | MOTOR-TOP-MOUNT | 1 | |
| 19 | 907003 | MOTOR-GASKET | 1 | |
| 20 | 901009 | ROLLER WHEEL | 3 | |
| 21 | 227120 | HANDLE - HVR/HET/NRV | 1 | |
| 22 | 229617 | CABLE REEL WINDER KNOB ASSY | 1 | |
| 23 | 901590 | INSULATOR (FR) | 1 | |
| 24 | 291152 | NO8.1/2 INCH LG. T20. SCREW. Z/PL. PLASTITE | 3 | |
| 25 | 291082 | #8 SCREW 1"L T20 PAN HEAD P/L THREAD FORMING | 7 | |
| 26 | 291117 | NO.8 x 1 INCH (4.5MM CAPTIVE) POZI-PAN SCREW / PLASTITE / BLACKODISED | 2 | |
| 27 | 291151 | M4 X 10MM LONG T20 SEMS SCREW Z/PL - PRODUCT CODE 8.8 - TX20 HEAD | 2 | |
| 28 | 208885 | NEON INDICATOR (EVEREL, B71121G000000) | 1 | |
| 29 | 230253 | EVEREL ROCKER SWITCH | 1 | |
| 30 | 230096 | SUPPRESSOR CAPACITOR ASSEMBLY WITH DISCHARGE RESISTOR (AS SUPPLIED) | 1 | |
| 31 | 902525 | REELER CONTACT SPRING | 2 | |
| 32 | 227141 | INNER CONTACT RING | 1 | |
| 33 | 227142 | OUTER CONTACT RING | 1 | |
| 34 | 908947 | 230V SINGLE STAGE TF MOTOR (DLI 653T) TCO (6210820147) | 1 | |
| | 901702 | 230V SINGLE STAGE THRO FLOW FAN MOTOR (DLI 420T) TCO (420) | | V45/V69/V71 MODELS ONLY |
| | 906201 | 120V SINGLE STAGE THRO FLOW FAN MOTOR (DLI 1051T) TCO (620) | | |
| 35 | 230204 | NUC18S INLET - VOLEX | 1 | |
| | 911501 | MAINS CABLE. YELLOW. 12500.0m75.2. NUS17S PLUG. UK PLUG | | V16 MODELS ONLY |
| | 911400 | MAINS CABLE. YELLOW. 12500.0m75.2. NUS17S PLUG. AUSTRALIAN 10A 3 PIN PLUG | | V81 MODELS ONLY |
| | 911504 | MAINS CABLE. YELLOW. 12500.0m75.2. NUS17S PLUG. SOUTH AFRICAN 15A PLUG | | V83 MODELS ONLY |
| 36 | 911505 | MAINS CABLE. YELLOW. 12500.0m75.2. NUS17S PLUG. SWISS 2 PIN PLUG | 1 | V53 MODELS ONLY |
| | 911506 | MAINS CABLE. YELLOW. 12500.0m75.2. NUS17S PLUG. EURO 16A 2 PIN PLUG | | V30 MODELS ONLY |
| | 911500 | MAINS CABLE. YELLOW. 8000.1.2. NUS17S PLUG. CSA USA 2 PIN PLUG | | V45/V69/V71 MODELS ONLY |
| 37 | 911827 | ACOUSTIC POD SEAL | 1 | |
| 38 | 911826 | ACOUSTIC POD | 1 | |
| 39 | 911874 | Melamine Foam | 1 | |

WIRING DRAWING: DRW-32739 (620W/230V), DRW-32801 (620W/120V) & DRW-34066 (420W/230V)

Exploded Spare Parts PPR170 / PPR170H



| Num | DESCRIPTION | | Num | |
|-----|--|--------|--|--------|
| 1 | REELER HANDLE | | 227120 | |
| 2 | 11 INCH 170 DRUM WITH ACCESSORY WITH STORAGE (RED) | | 911114 | |
| 3 | WHEEL HUB FOR 2 SHOT WHEEL | | 227868 | |
| | HENRY WHEEL 2 SHOT MOULDING | | 227640 | |
| | NO8.5/8 INCH LONG POZO-PAN SCREW Z/PL PLASTITE | | 219105 | |
| 4 | COLOURED WHEEL DISC (RED) | | 227687 | |
| 5 | 50MM TWIN WHEEL CASTOR WITH PU TYRE | | 204111 | |
| 6 | DRY 11 INCH DIFFUSER NECK | | 237119 | |
| 7 | 11" TRITEX FILTER (DRY ONLY USE) | | 909560 | |
| 8 | PACK OF 3 NVM-1CH HEPAFLO BAGS | | 909291 | |
| 9 | BOX OF 5 NVM-1CH HEPAFLO BAGS | | 907076 | |
| | BOX OF 10 NVM-1CH HEPAFLO BAGS | | 907075 | |
| | 230V SINGLE STAGE TF MOTOR (DLI 653T) TCO (6210820147) | | 908947 | |
| 10 | POST MOTOR FILTER H13 (PPR170H VERSIONS) | | 907044 | |
| 11 | 12.5 METRE X 0.75MM X 2 CORE (UK PLUG). | 911501 | 8 METRE X 18AWG X 2 CORE CABLE (CSA PLUG) | 911508 |
| | 12.5 METRE X 0.75MM X 2 CORE (EUROPEAN PLUG) | 911506 | 12.5 METRE X 0.75MM X 2 CORE (SOUTH AFRICA PLUG) | 911504 |
| | 12.5 METRE X 0.75MM X 2 CORE (SWISS PLUG) | 911505 | 102.5 METRE X 0.75MM X 2 CORE (AUSTRALIA PLUG) | 911498 |

Genuine Accessories (903146 Kit AS0)

