

Numatic International Spare Parts

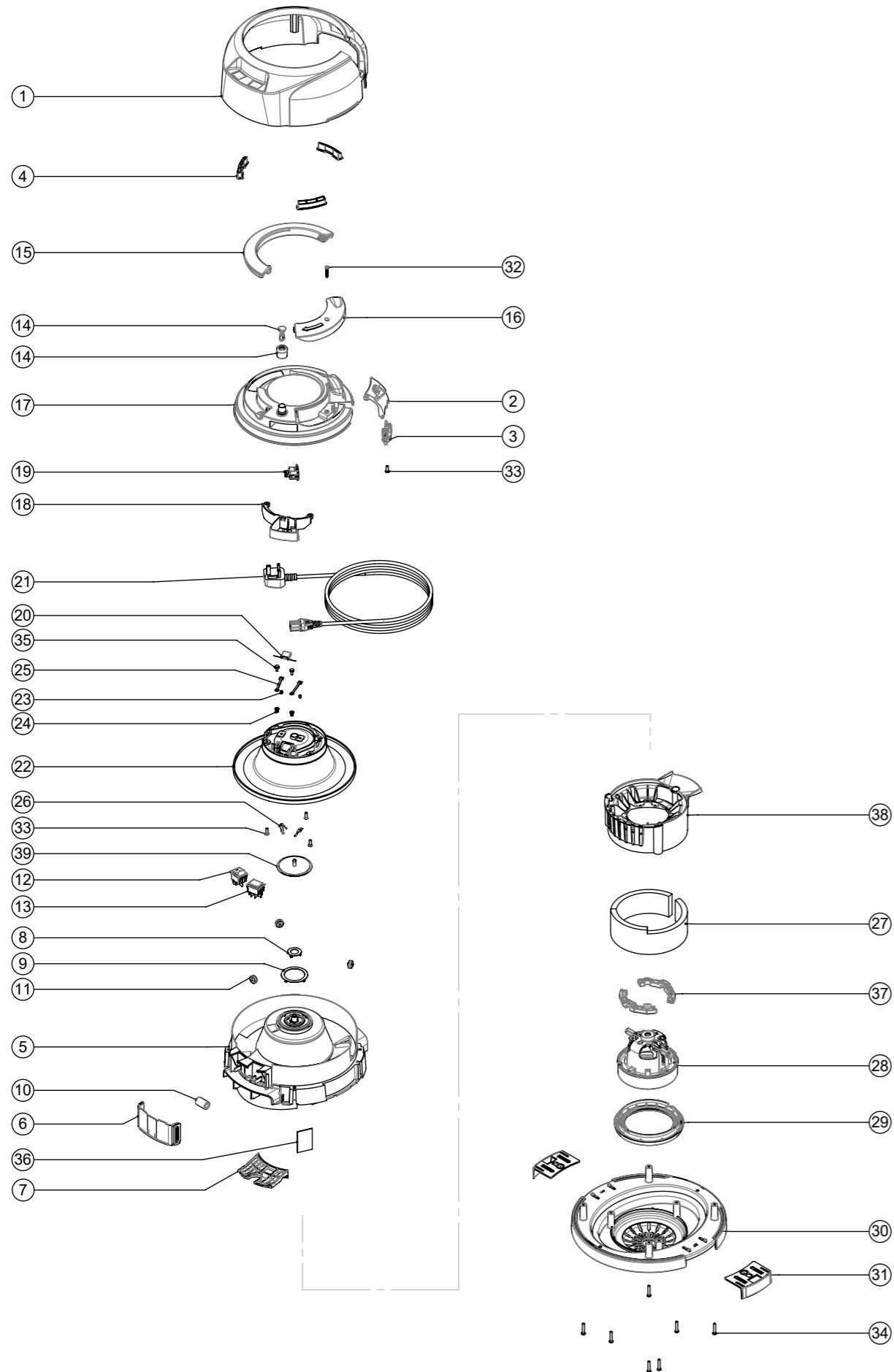
Model No: HEAD STYLE 3 - EXPLODED DRAWING

Models: PPR, PPT, PPH

DRAWING: DRW-30893
ISS:A02

07/11/201 911664

9

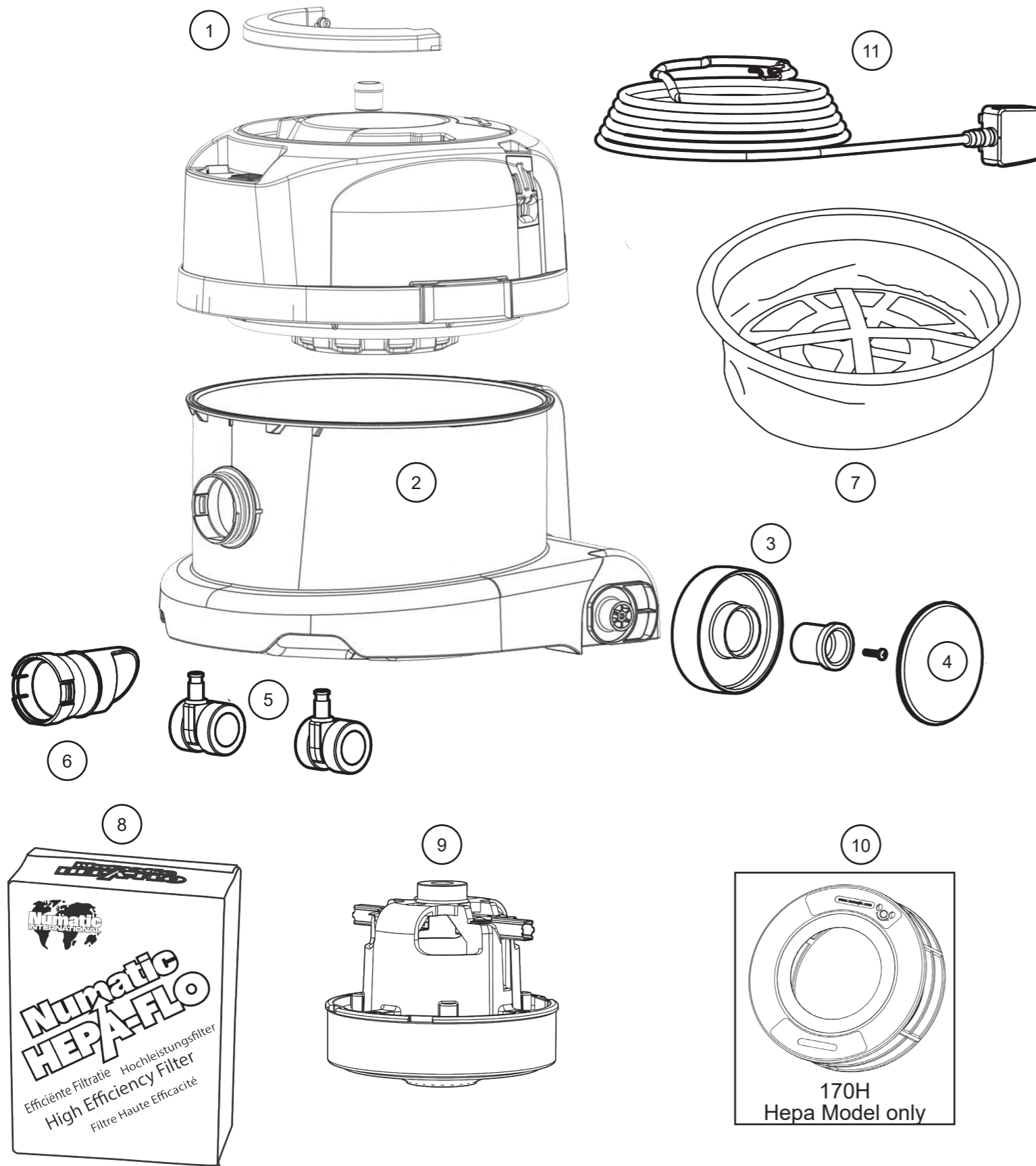


Numatic International Spare Parts

Model No: HEAD STYLE 3 - EXPLODED DRAWING

ITEM	PART No	DESCRIPTION	QTY.	COMMENTS
1	237385	PPR COVER	1	CONTACT NUMATIC FOR MORE DETAILS IF REQUIRED
	237395	PPR (PLUGGED) BLACK CABLE COVER		
3	237391	PPR - CABLE ENTRY	1	
4	237386	PPR - CALLIPER	3	
5	237130	TOP MOTOR HOUSING WITH PCB CUT OUT (PVR FRONT SWITCH) (V2 RATED MATERIAL)	1	
6	229623	SWITCH COVER	1	
7	237132	WIRE ENTRY ENCLOSURE (PVR FRONT SWITCH)	1	
8	227141	INNER CONTACT RING	1	
9	227142	OUTER CONTACT RING	1	
10	230097	AXIAL FERRITE BEAD 17.5 X 9.5 X 28.5 (REF 742 700 9)	1	
11	901009	ROLLER WHEEL	3	
12	230253	EVEREL ROCKER SWITCH	1	
13	208885	NEON INDICATOR (EVEREL, B71121G000000)	1	
14	229617	CABLE REEL WINDER KNOB ASSY	1	
15	237396	PPR - HANDLE	1	
16	237390	PPR - REELER PLUG COVER	1	CONTACT NUMATIC FOR MORE DETAILS IF REQUIRED
17	237387	PPR (PLUGGED) BLACK REELER COVER		
18	237388	PPR - SOCKET SADDLE	1	
19	230204	NUC18S INLET - VOLEX	1	
20	230096	SUPPRESSOR CAPACITOR ASSEMBLY WITH DISCHARGE RESISTOR (AS SUPPLIED)	1	
21	236155	MAINS CABLE.BLACK.12500.1.2.NU17S PLUG.UK PLUG	1	CONTACT NUMATIC FOR MORE DETAILS IF REQUIRED
22	206491	CABLE REEL MOULDING	1	
23	227103	CONTACT BUSH	2	
24	219009	M4 BRASS TAPPEX INSERT	2	
25	227145	CONNECTING STRIP	2	
26	230203	SPRING CONTACT (DOMED)	2	
27	901616	WRAP-ACOUSTIC	1	
28	908947	230V SINGLE STAGE TF MOTOR (DLI 653T) TCO (6210820147)	1	
29	237089	BOTTOM MOTOR GASKET - CUP MOTOR	1	
30	237606	BOTTOM MOTOR HOUSING (BI-MATERIAL)	1	
31	229622	TOGGLE (BI-MATERIAL)	2	
32	291117	NO.8 x 1 INCH (4.5MM CAPTIVE) POZI-PAN SCREW / PLASTITE / BLACKODISED	1	
33	291152	NO8. 1/2 INCH LG. T20. SCREW. Z/PL. PLASTITE	4	
34	291082	#8 SCREW 1" L T20 PAN HEAD P/L THREAD FORMING	7	
35	291151	M4 X 10MM LONG T20 SEMS SCREW Z/PL - PRODUCT CODE 8.8 - TX20 HEAD	2	
36	227957	BLANKING PLATE	1	
37	901614	MOUNT-MOTOR	2	
38	902581	CLAMP-MOTOR-LOWER	1	
39	227437	TERMINAL COVER	1	

Exploded Spare Parts PPR170 / PPR170H



Num	DESCRIPTION		Num	
1	REELER HANDLE		227120	
2	11 INCH 170 DRUM WITH ACCESSORY WITH STORAGE (RED)		911114	
3	WHEEL HUB FOR 2 SHOT WHEEL		227868	
	HENRY WHEEL 2 SHOT MOULDING		227640	
	NO8.5/8 INCH LONG POZO-PAN SCREW Z/PL PLASTITE		219105	
4	COLOURED WHEEL DISC (RED)		227687	
5	50MM TWIN WHEEL CASTOR WITH PU TYRE		204111	
6	DRY 11 INCH DIFFUSER NECK		237119	
7	11" TRITEX FILTER (DRY ONLY USE)		909560	
8	PACK OF 3 NVM-1CH HEPAFLO BAGS		909291	
9	BOX OF 5 NVM-1CH HEPAFLO BAGS		907076	
	BOX OF 10 NVM-1CH HEPAFLO BAGS		907075	
	230V SINGLE STAGE TF MOTOR (DLI 653T) TCO (6210820147)		908947	
10	POST MOTOR FILTER H13 (PPR170H VERSIONS)		907044	
11	12.5 METRE X 0.75MM X 2 CORE (UK PLUG).	911501	8 METRE X 18AWG X 2 CORE CABLE (CSA PLUG)	911508
	12.5 METRE X 0.75MM X 2 CORE (EUROPEAN PLUG)	911506	12.5 METRE X 0.75MM X 2 CORE (SOUTH AFRICA PLUG)	911504
	12.5 METRE X 0.75MM X 2 CORE (SWISS PLUG)	911505	102.5 METRE X 0.75MM X 2 CORE (AUSTRALIA PLUG)	911498

Genuine Accessories (903146 Kit AS0)

