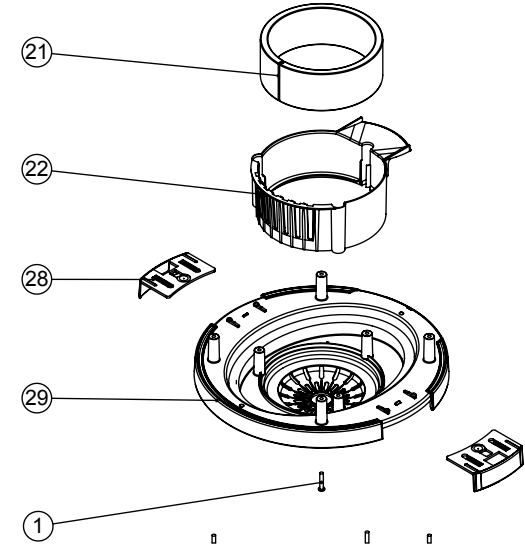
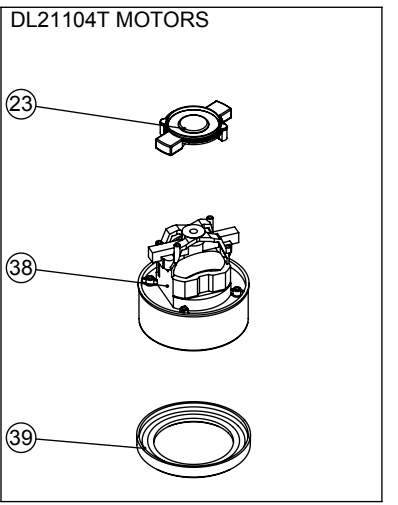
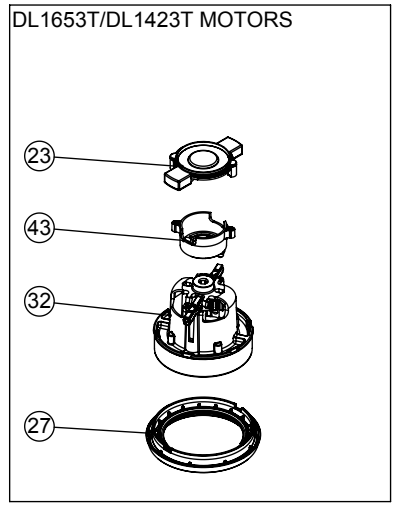
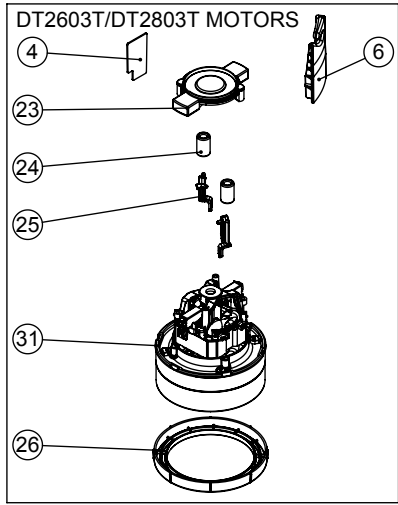
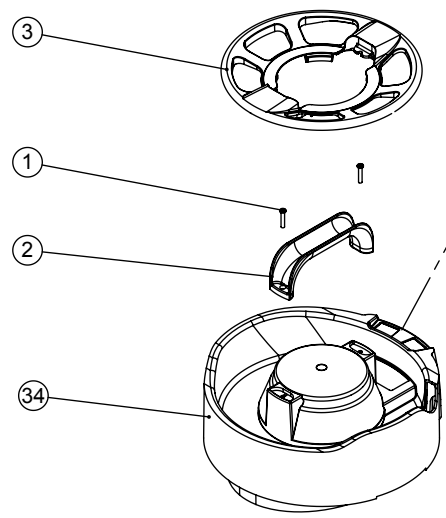
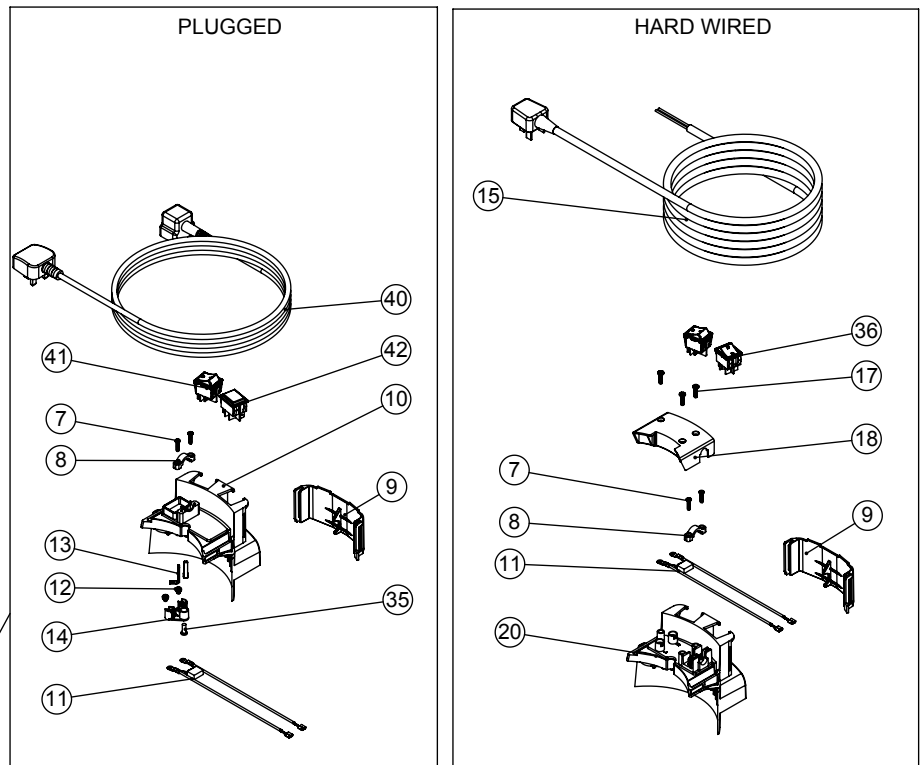


Numatic International Spare Parts

Model No: HEAD STYLE 4 ASSEMBLY 1/2 STAGE 1/2-SPEED EXPLODED

Models: JVP, JVH, PSP, PSH, VNP (NUV, NVP, NVH (EU))

N/A
DRAWING: DRW-16814 ISS:A14
25/01/2018



Numatic International Spare Parts

Model No: HEAD STYLE 4 ASSEMBLY 1/2 STAGE 1/2-SPEED EXPLODED

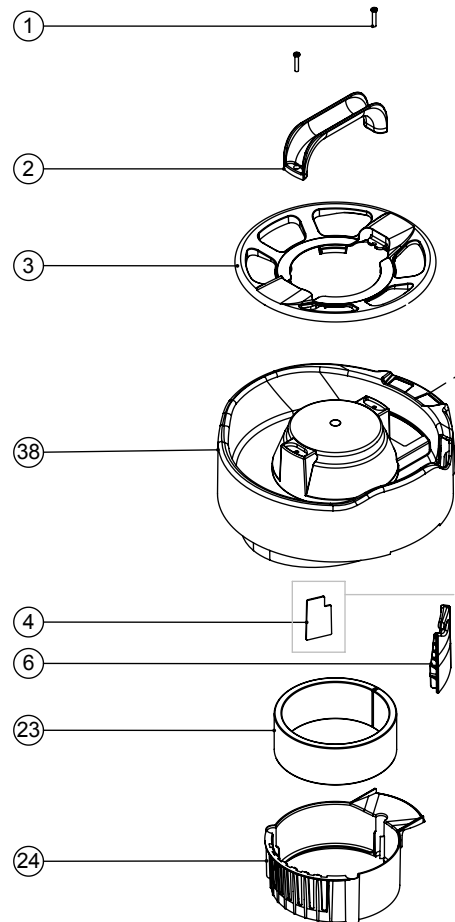
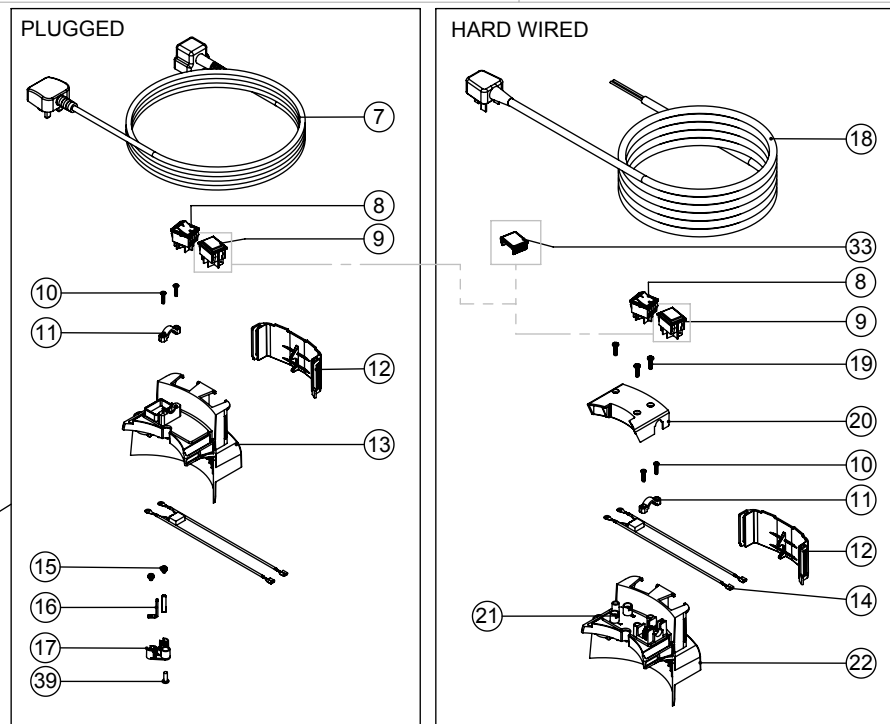
ITEM:	PART No:	Description	QTY.	COMMENTS:
1	291082	#8 SCREW 1"L T20 PAN HEAD P/L THREAD FORMING	9	
2	206451	HANDLE	1	
3	-	NSP / PSP CABLE TIDY (BLACK)	1	CONTACT NUMATIC FOR DETAILS
4	-	NOTCHED PCB BLANKING PLATE - OBSOLETE	1	USE ITEM 6 WITH DL1653T/DL1423T MOTORS
5	227957	BLANKING PLATE	1	USE ITEM 5 WITH DL2603T/DL12803T MOTORS
6	237079	CABLE EXIT NPV/NHV	1	
	236013	10.0MT X 1MM X 2 CORE CABLE (SOCKET + PLUG) EURO	1	
7	219107	NO6.5/8 INCH LG.POZI-PAN.SCREW.Z/PL.PLASTITE	2	
8	227564	PLUG LOCATION CLAMP	1	
9	229623	SWITCH COVER	1	
10	237076	SWITCH HOUSING PLUGGED	1	
11	230170	SUPPRESSOR WIRE ASSY NPV/NHV	1	
12	219090	M4 X 8MM LONG POZI PAN SEMS SCREW	2	
13	206562	CONTACT PIN	2	
14	325912	NPV / NHV TERMINAL BLOCK PLUS INSERTS	1	
	236033	10.0M X 1.00MM X 2 CORE CABLE (UK PLUG)	1	
	236034	10.0MT X 1.0MM X 2 CORE EURO PLUG	1	
15	236047	10.0M X .75MM X 2 CORE CABLE + SWISS PLUG	1	CONTACT NUMATIC FOR MORE DETAILS IF REQUIRED
	236034	10.0MT X 1.0MM X 2 CORE EURO PLUG	1	
17	219105	No8 X 5/8 INCH LONG POZI PAN PLASTITE SCREW	1	
18	237080	NHV HARDWIRED SWITCH HOUSING COVER (BLACK)	1	
19	219009	M4 BRASS TAPPEX INSERT	1	
20	237077	SWITCH HOUSING HARD-WIRED	1	
21	203020	POD SIDE FELT	1	
22	229621	AIR GUIDE	1	
23	229614	MOTOR PLATE BI -MATERIAL	1	
24	230097	AXIAL FERRITE BEAD	2	NOT REQUIRED WITH DL1653T/DL1423T MOTORS
25	208955	CLIP RETAINER FERRITE BEAD (DL2 MOTOR)	2	
26	237675	MOTOR GASKET 2 STAGE ECO	1	
27	237089	BOTTOM MOTOR GASKET - CUP MOTOR	1	
28	229715	TOGGLE (TWIN SHOT)	2	
29	237607	BOTTOM MOTOR HOUSING (TWIN-SHOT)	1	
30	237082	BLANKING PLUG - ROCKER SWITCH	1	FOR NVP/NVH (PSP/PSH STYLE) USE IN PLACE OF ITEM 10
31	205740	230V 2 STAGE 600W ECO THRO FLOW FAN MOTOR (DL2603T) TCO	1	
32	205840	230V SINGLE STAGE THRO FLOW FAN MOTOR (DL1 653T) TCO (620)	1	
	901792	230V SINGLE STAGE THRO FLOW FAN MOTOR (DL1 423T) TCO (420)		
34	237083	TOP MOTOR HOUSING (HEAD STYLE 4) 2 SWITCH - INC. PCB	1	
35	291152	NO8.1/2 INCH LG.T20.SCREW.Z/PL.PLASTITE	1	
36	220243	SWITCH.SPDT.RKR.HV	-	
37	324064	NUMATIC 2 SPEED CONTROL PCB (230V) RED BOARD DRILLED 4MM	-	FOR USE WITH DL21104T MOTOR
38	205403	230V 2 STAGE THRO FLOW TAPER FAN MOTOR (DL21104T) TCO	-	
39	227882	BOTTOM MOTOR GASKET	-	FOR USE WITH DL21104T MOTOR
40	236009	10.0M X 1.00MM X 2 CORE NUCABLE (UK PLUG)	1	
41	230253	EVEREL ROCKER SWITCH	1	
42	208885	NEON INDICATOR (EVEREL, B71121G000000)	1	
43	237480	ADAPTOR MOTOR (DL1 603T)	-	

Numatic International Spare Parts

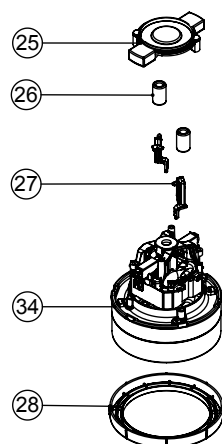
Model No: HEAD STYLE 4 ASSEMBLY 1/2 STAGE 1-SPEED EXPLODED

N/A
DRAWING: DRW-16814 ISS:A10
30/11/2015

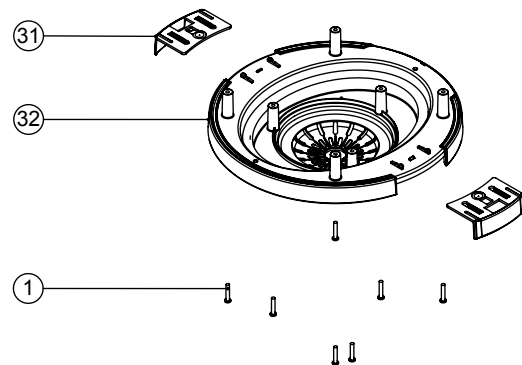
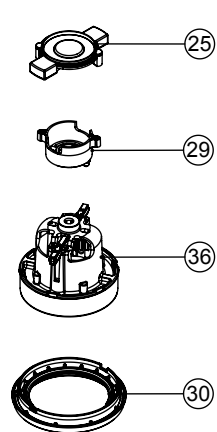
Models: JVP, JVH, PSP, PSH, VNP
(NUV, NVP, NVH (EU))



DT2603T/DT2803T MOTORS



DL1653T/DL1423T MOTORS



Numatic International Spare Parts

Model No: HEAD STYLE 4 ASSEMBLY 1/2 STAGE 1-SPEED EXPLODED

ITEM:	PART No:	Description	QTY.	COMMENTS:
1	291082	#8 SCREW 1"L T20 PAN HEAD P/L THREAD FORMING	9	
2	206451	HANDLE	1	
3	-	NSP / PSP CABLE TIDY (BLACK)	1	CONTACT NUMATIC FOR DETAILS
4	208951	NOTCHED PCB BLANKING PLATE	1	USE ITEM 6 WITH DL1653T/DL1423T MOTORS
5	227957	BLANKING PLATE	1	USE ITEM 5 WITH DL2603T/DL12803T MOTORS
6	237079	CABLE EXIT NPV/NHV	1	
7	236009	10.0M X 1.00MM X 2 CORE NUCABLE (UK PLUG)	1	CONTACT NUMATIC FOR MORE DETAILS IF REQUIRED
	236013	10.0MT X 1MM X 2 CORE CABLE (SOCKET + PLUG) EURO	1	
8	220582	GREEN ROCKER SWITCH (WHITE PRINT) 0-1	1	
9	208885	NEON INDICATOR (EVEREL, B71121G000000)	1	
10	219107	No6 X 5/8 INCH LONG POZI PAN PLASTITE SCREW	2	
11	227564	PLUG LOCATION CLAMP	1	
12	229623	SWITCH COVER	1	
13	237076	SWITCH HOUSING PLUGGED	1	
14	230170	SUPPRESSOR WIRE ASSY NPV/NHV	1	
15	219090	M4 X 8MM LONG POZI PAN SEMS SCREW	2	
16	206562	CONTACT PIN	2	
17	325912	NPV / NHV TERMINAL BLOCK PLUS INSERTS	1	
18	236033	10.0M X 1.00MM X 2 CORE CABLE (UK PLUG)	1	CONTACT NUMATIC FOR MORE DETAILS IF REQUIRED
	236034	10.0MT X 1.0MM X 2 CORE EURO PLUG	1	
19	219105	No8 X 5/8 INCH LONG POZI PAN PLASTITE SCREW	1	
20	237080	NHV HARDWIRED SWITCH HOUSING COVER (BLACK)	1	
21	219009	M4 BRASS TAPPEX INSERT	1	
22	237077	SWITCH HOUSING HARD-WIRED	1	
23	203020	POD SIDE FELT	1	
24	229621	AIR GUIDE	1	
25	229614	MOTOR PLATE BI -MATERIAL	1	
26	230097	AXIAL FERRITE BEAD	2	NOT REQUIRED WITH DL1653T/DL1423T MOTORS
27	208955	CLIP RETAINER FERRITE BEAD (DL2 MOTOR)	2	
28	237675	MOTOR GASKET 2 STAGE ECO	1	
29	237480	ADAPTOR MOTOR (DL1 603T)	1	
30	237089	BOTTOM MOTOR GASKET - CUP MOTOR	1	
31	229715	TOGGLE (TWIN SHOT)	2	
32	237607	BOTTOM MOTOR HOUSING (TWIN-SHOT)	1	
33	237082	BLANKING PLUG - ROCKER SWITCH	1	FOR NVP/NVH (PSP/PSH STYLE) USE IN PLACE OF ITEM 10
34	205740	230V 2 STAGE 600W ECO THRO FLOW FAN MOTOR (DL2603T) TCO	1	
	205640	230V 2 STAGE 800W ECO THRO FLOW FAN MOTOR (DL2803T) TCO		
36	205840	230V SINGLE STAGE THRO FLOW FAN MOTOR (DL1 653T) TCO (620)	1	
	901792	230V SINGLE STAGE THRO FLOW FAN MOTOR (DL1 423T) TCO (420)		
38	237083	TOP MOTOR HOUSING (HEAD STYLE 4) 2 SWITCH - INC. PCB	1	
39	291152	NO8.1/2 INCH LG.T20.SCREW.Z/PL.PLASTITE	1	

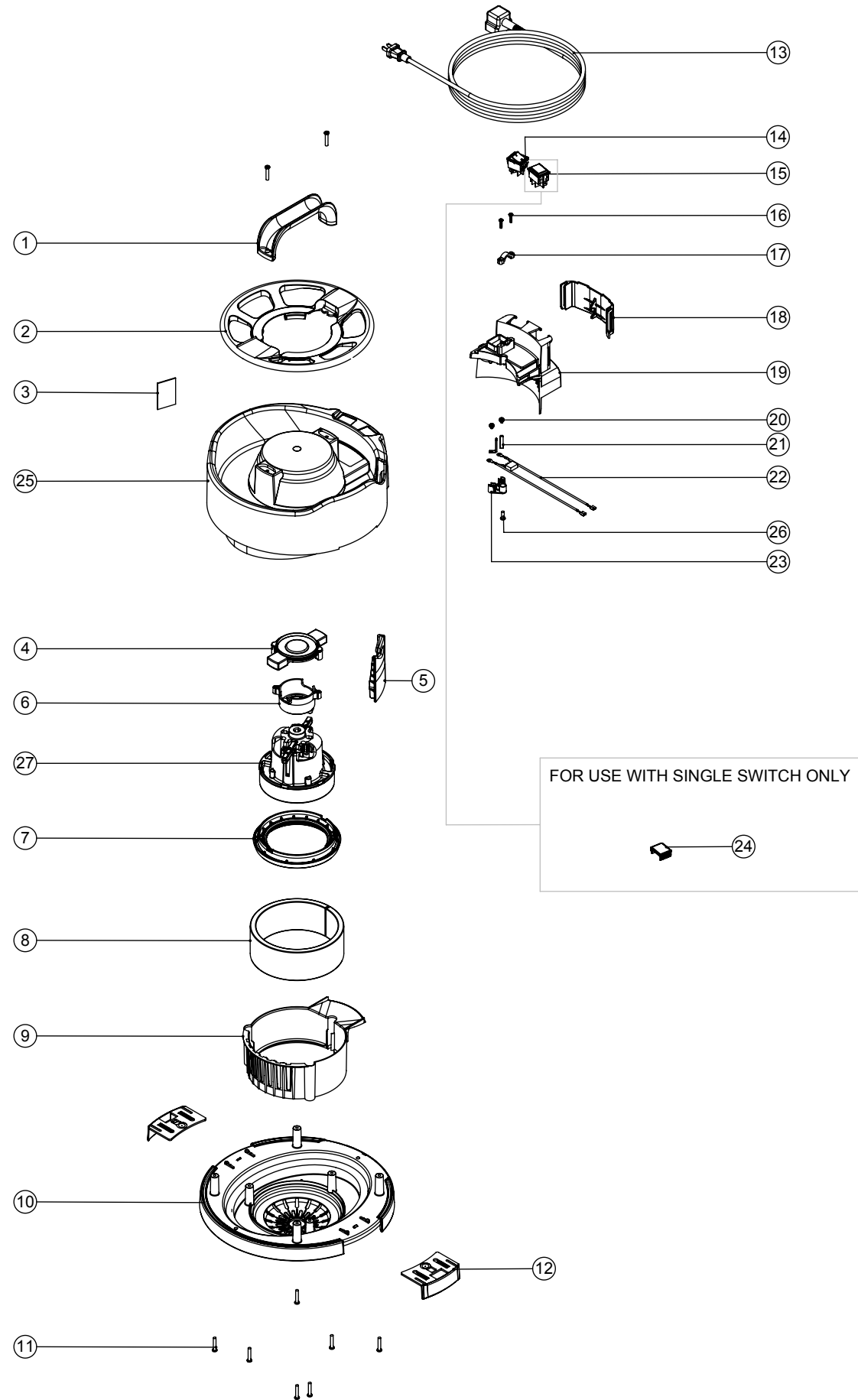
FOR WIRING DIGRAMS PLEASE SEE DOC-21993 (REFER ONLY TO THE LATEST VERSION) OR NUMATIC WEBSITE

Numatic International Spare Parts

Model No: HEAD STYLE 4 ASSEMBLY 1 STAGE (120V) 1-SPEED EXPLODED

Models: JVP, PSP

NA
DRAWING: DRW-19019 ISS:A05
30/11/2015



Numatic International Spare Parts

Model No: HEAD STYLE 4 ASSEMBLY 1 STAGE (120V) 1-SPEED EXPLODED

ITEM:	PART No:	Description	QTY.	COMMENTS:
1	206451	HANDLE	1	
2	237100	NSP / PSP CABLE TIDY (YELLOW)	1	
3	227957	BLANKING PLATE	1	
4	229614	MOTOR PLATE BI -MATERIAL	1	
5	237079	CABLE EXIT NPV/NHV	1	
6	237480	ADAPTOR MOTOR (DL1 603T)	1	
7	237089	BOTTOM MOTOR GASKET - CUP MOTOR	1	
8	203020	POD SIDE FELT	1	
9	229621	AIR GUIDE	1	
10	237607	BOTTOM MOTOR HOUSING (TWIN-SHOT)	1	
11	291082	#8 SCREW 1"L T20 PAN HEAD P/L THREAD FORMING	9	
12	229715	TOGGLE (TWIN SHOT)	2	
13	236025	MOULDED CSA PLUG & SOCKET 10 A 2 CORE	1	
14	220582	GREEN ROCKER SWITCH (WHITE PRINT) 0-1	1	
15	208885	NEON INDICATOR (EVEREL, B71121G000000)	1	
16	219107	No6 X 5/8 INCH LONG POZI PAN PLASTITE SCREW	2	
17	227564	PLUG LOCATION CLAMP	1	
18	229738	SWITCH COVER V2 RATED MATERIAL	1	
19	237172	SWITCH HOUSING PLUGGED (V2 RATED)	1	
20	219090	M4 X 8MM LONG POZI PAN SEMS SCREW	2	
21	206562	CONTACT PIN	2	
22	230170	SUPPRESSOR WIRE ASSY NPV/NHV	1	
23	325912	NPV / NHV TERMINAL BLOCK PLUS INSERTS	1	
24	237082	BLANKING PLUG - ROCKER SWITCH	1	
25	237083	TOP MOTOR HOUSING (HEAD STYLE 4) 2 SWITCH - INC. PCB	1	
26	291152	NO8.1/2 INCH LG.T20.SCREW.Z/PL.PLASTITE	1	
27	205291	120V SINGLE STAGE THRO FLOW FAN MOTOR (DL1651T) TCO (620)	1	

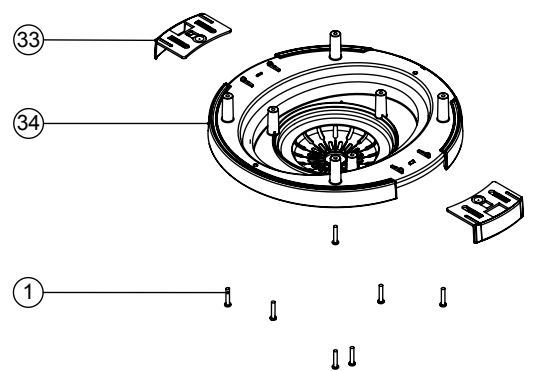
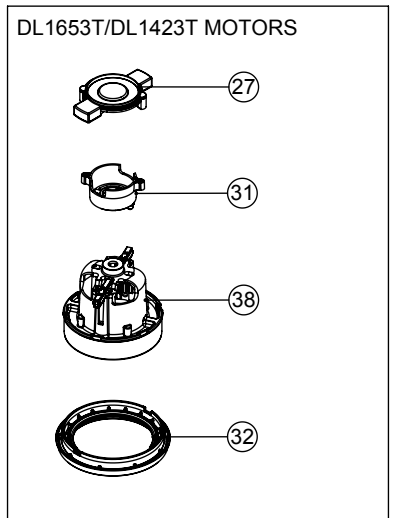
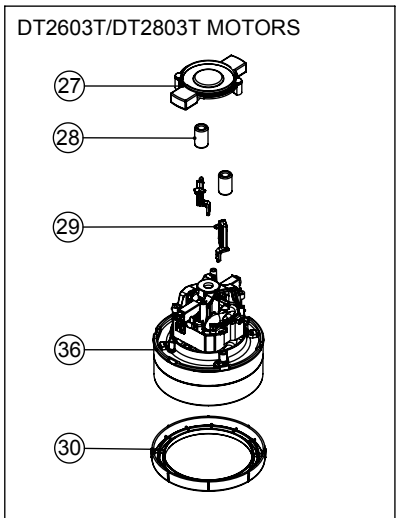
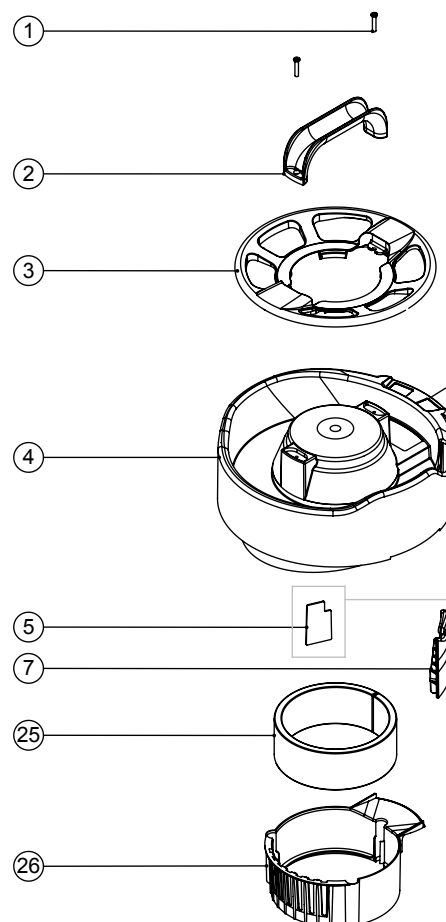
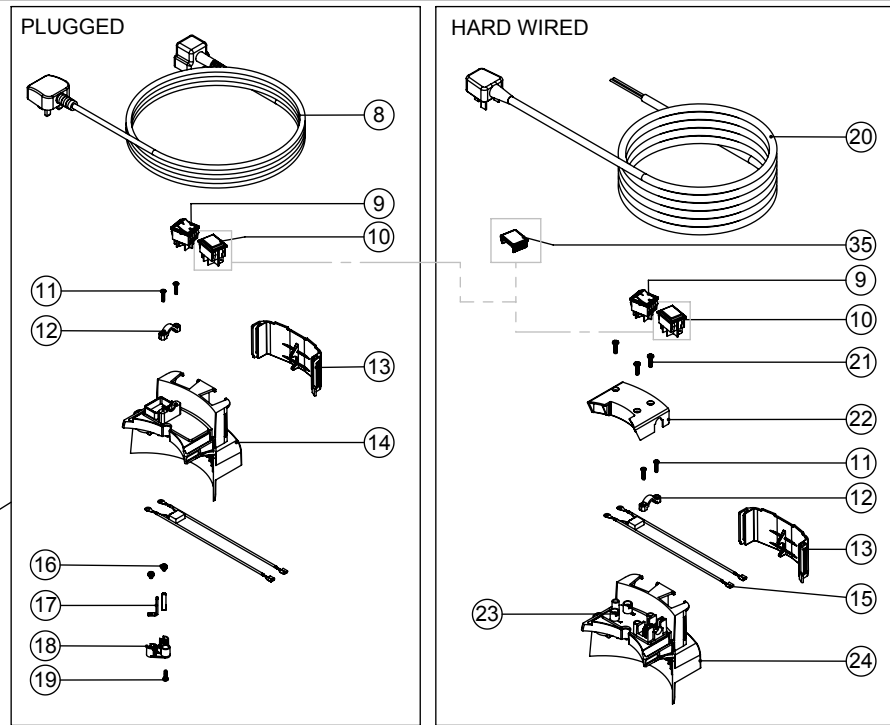
FOR WIRING DIGRAMS PLEASE SEE DOC-21993 (REFER ONLY TO THE LATEST VERSION) OR NUMATIC WEBSITE

Numatic International Spare Parts

Model No: HEAD STYLE 4 ASSEMBLY 1/2 STAGE 1-SPEED EXPLODED

N/A
DRAWING: DRW-16814 ISS:A09
09/10/2015

Models: JVP, JVH, PSP, PSH, VNP
(NUV, NVP, NVH (EU))



Numatic International Spare Parts

Model No: HEAD STYLE 4 ASSEMBLY 1/2 STAGE 1-SPEED EXPLODED

ITEM:	PART No:	Description	QTY.	COMMENTS:
1	291082	#8 SCREW 1"L T20 PAN HEAD P/L THREAD FORMING	9	
2	206451	HANDLE	1	
3	-	NSP / PSP CABLE TIDY (BLACK)	1	CONTACT NUMATIC FOR DETAILS
4	237086	TOP MOTOR HOUSING - JVP/PSP/NPV/NHV	1	
5	208951	NOTCHED PCB BLANKING PLATE	1	USE ITEM 6 WITH DL1653T/DL1423T MOTORS
6	227957	BLANKING PLATE	1	USE ITEM 5 WITH DL2603T/DL12803T MOTORS
7	237079	CABLE EXIT NPV/NHV	1	
8	236009	10.0M X 1.00MM X 2 CORE NUCABLE (UK PLUG)	1	CONTACT NUMATIC FOR MORE DETAILS IF REQUIRED
	236013	10.0MT X 1MM X 2 CORE CABLE (SOCKET + PLUG) EURO	1	
9	220582	GREEN ROCKER SWITCH (WHITE PRINT) 0-1	1	
10	208885	NEON INDICATOR (EVEREL, B71121G000000)	1	
11	219107	No6 X 5/8 INCH LONG POZI PAN PLASTITE SCREW	2	
12	227564	PLUG LOCATION CLAMP	1	
13	229623	SWITCH COVER	1	
14	237076	SWITCH HOUSING PLUGGED	1	
15	230170	SUPPRESSOR WIRE ASSY NPV/NHV	1	
16	219090	M4 X 8MM LONG POZI PAN SEMS SCREW	2	
17	206562	CONTACT PIN	2	
18	325912	NPV / NHV TERMINAL BLOCK PLUS INSERTS	1	
19	219318	No6 X 1/2 INCH LONG POZI PAN PLASTITE SCREW (Z/PL)	1	
20	236033	10.0M X 1.00MM X 2 CORE CABLE (UK PLUG)	1	CONTACT NUMATIC FOR MORE DETAILS IF REQUIRED
	236034	10.0MT X 1.0MM X 2 CORE EURO PLUG	1	
21	219105	No8 X 5/8 INCH LONG POZI PAN PLASTITE SCREW	1	
22	237080	NHV HARDWIRED SWITCH HOUSING COVER (BLACK)	1	
23	219009	M4 BRASS TAPPEX INSERT	1	
24	237077	SWITCH HOUSING HARD-WIRED	1	
25	203020	POD SIDE FELT	1	
26	229621	AIR GUIDE	1	
27	229614	MOTOR PLATE BI -MATERIAL	1	
28	230097	AXIAL FERRITE BEAD	2	NOT REQUIRED WITH DL1653T/DL1423T MOTORS
29	208955	CLIP RETAINER FERRITE BEAD (DL2 MOTOR)	2	
30	237675	MOTOR GASKET 2 STAGE ECO	1	
31	237480	ADAPTOR MOTOR (DL1 603T)	1	
32	237089	BOTTOM MOTOR GASKET - CUP MOTOR	1	
33	229715	TOGGLE (TWIN SHOT)	2	
34	237607	BOTTOM MOTOR HOUSING (TWIN-SHOT)	1	
35	237082	BLANKING PLUG - ROCKER SWITCH	1	FOR NVP/NVH (PSP/PSH STYLE) USE IN PLACE OF ITEM 10
36	205740	230V 2 STAGE 600W ECO THRO FLOW FAN MOTOR (DL2603T) TCO	1	
	205640	230V 2 STAGE 800W ECO THRO FLOW FAN MOTOR (DL2803T) TCO		
38	205840	230V SINGLE STAGE THRO FLOW FAN MOTOR (DL1 653T) TCO (620)	1	
	901792	230V SINGLE STAGE THRO FLOW FAN MOTOR (DL1 423T) TCO (420)		

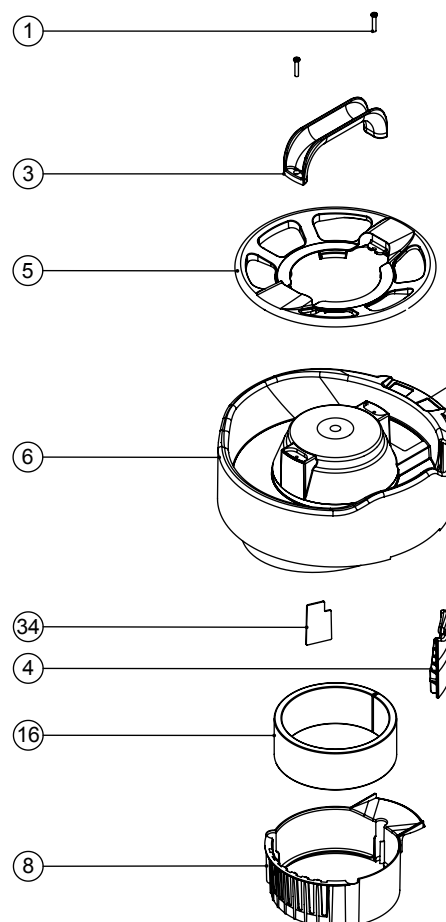
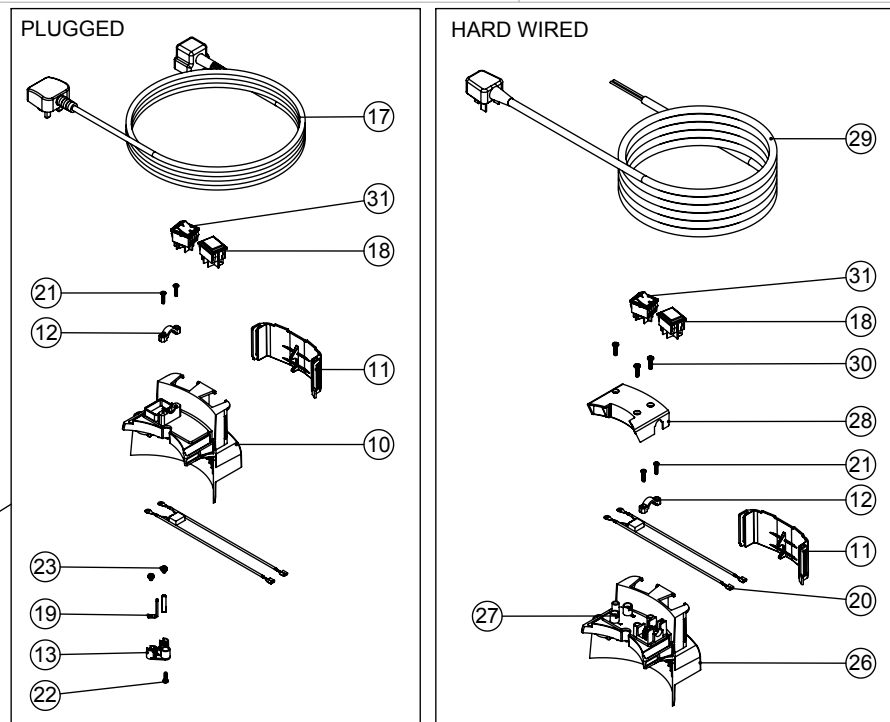
FOR WIRING DIGRAMS PLEASE SEE DOC-21993 (REFER ONLY TO THE LATEST VERSION) OR NUMATIC WEBSITE

Numatic International Spare Parts

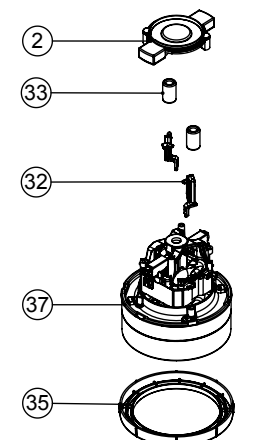
Model No: HEAD STYLE 4 ASSEMBLY 1/2 STAGE 1-SPEED EXPLODED

Models: JVP, JVH, PSP, PSH, VNP
(NUV, NVP, NVH (EU))

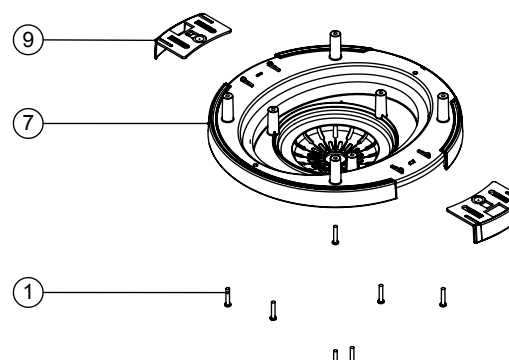
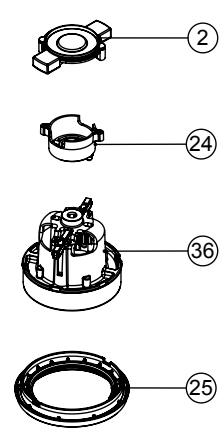
NA
DRAWING: DRW-16814 ISS:A01
09/01/2015



DT2603T/DT28003T MOTORS



DL1653T MOTOR



Numatic International Spare Parts

Model No: HEAD STYLE 4 ASSEMBLY 1/2 STAGE 1-SPEED EXPLODED

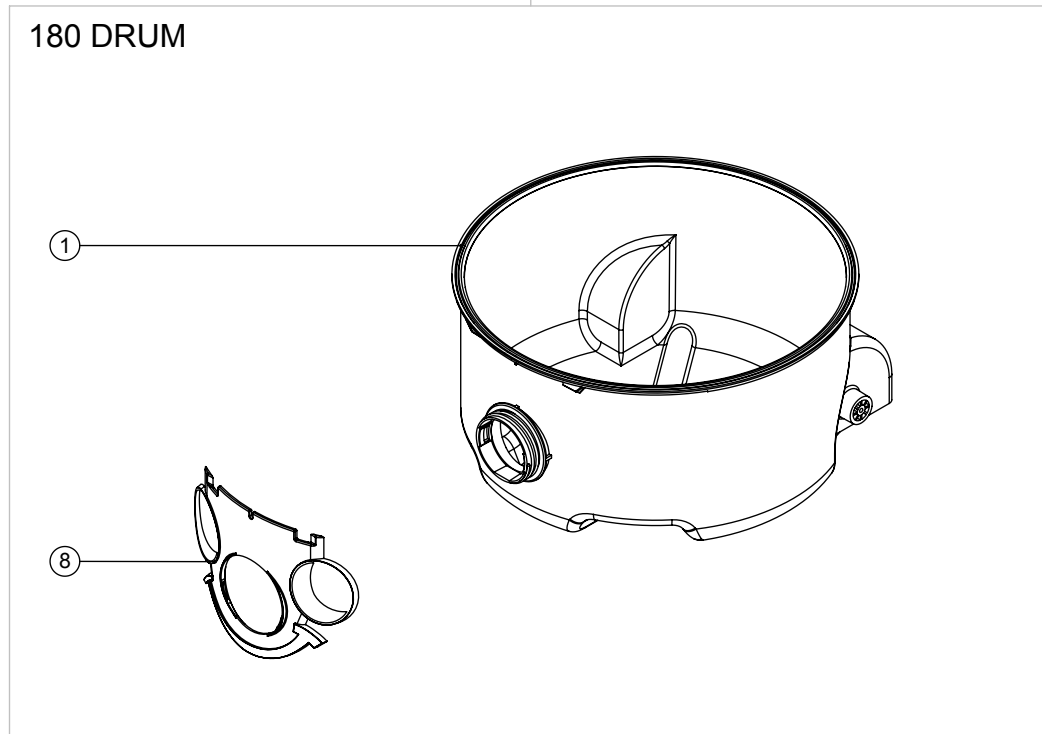
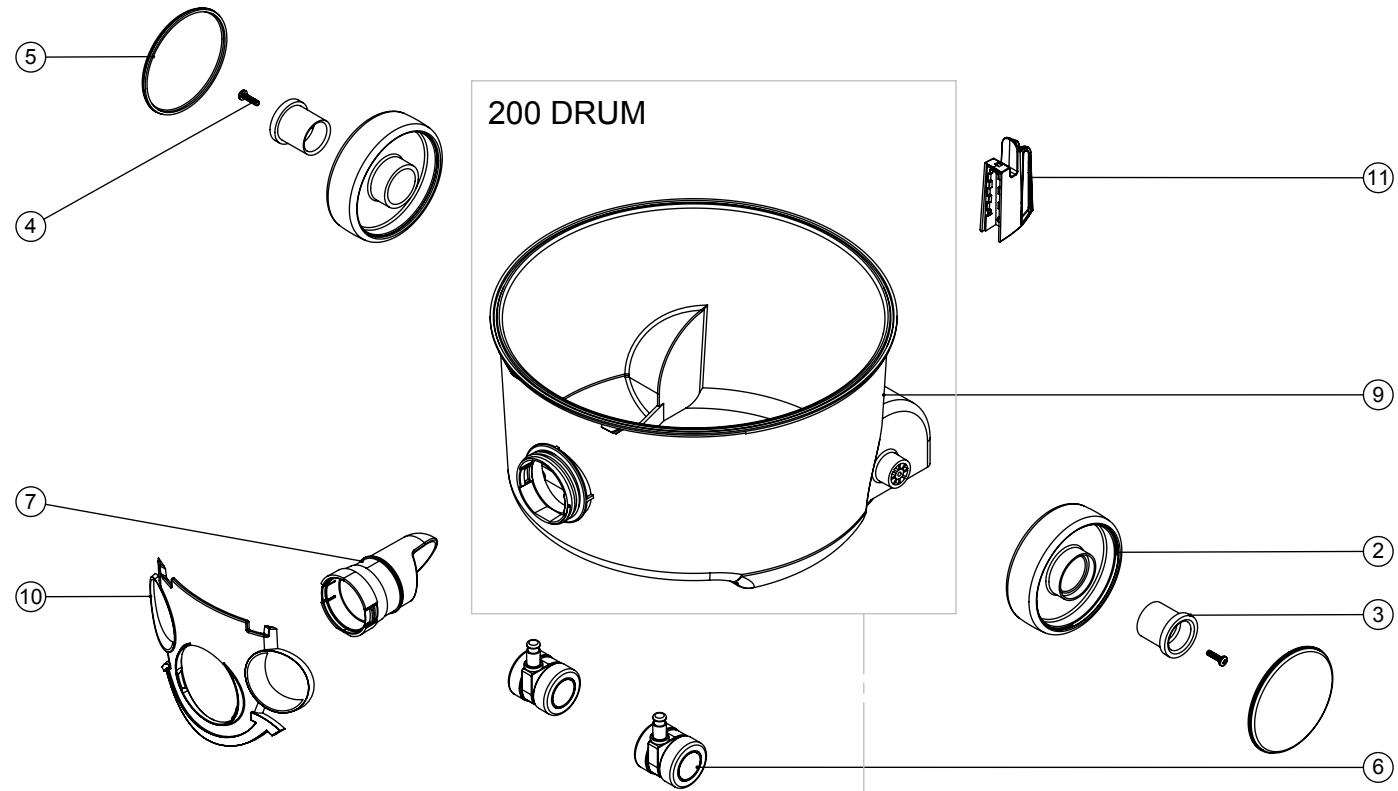
ITEM:	PART No:	Description	QTY.	COMMENTS:
1	291082	#8 SCREW 1"L T20 PAN HEAD P/L THREAD FORMING	9	
2	229614	MOTOR PLATE BI -MATERIAL	1	
3	206451	HANDLE	1	
4	237079	CABLE EXIT NPV/NHV	1	
5	-	NSP / PSP CABLE TIDY (BLACK)	1	CONTACT NUMATIC FOR DETAILS
6	-	TOP MOTOR HOUSING - YELLOW - NPV/NHV	1	CONTACT NUMATIC FOR DETAILS
7	237607	BOTTOM MOTOR HOUSING (TWIN-SHOT)	1	
8	229621	AIR GUIDE	1	
9	229715	TOGGLE (TWIN SHOT)	2	
10	237076	SWITCH HOUSING PLUGGED	1	
11	229623	SWITCH COVER	1	
12	227564	PLUG LOCATION CLAMP	1	
13	325912	NPV / NHV TERMINAL BLOCK PLUS INSERTS	1	
14	237082	BLANKING PLUG - ROCKER SWITCH	1	FOR NVP/NVH (PSP/PSH STYLE) USE IN PLACE OF ITEM 19
15	227957	BLANKING PLATE	1	USE IN PLACE OF ITEM 34 WITH DL1653T
16	203020	POD SIDE FELT	1	
17	236009	10.0M X 1.00MM X 2 CORE NUCABLE (UK PLUG)	1	CONTACT NUMATIC FOR MORE DETAILS IF REQUIRED
	236013	10.0MT X 1MM X 2 CORE CABLE (SOCKET + PLUG) EURO	1	
18	208885	NEON INDICATOR (EVEREL, B71121G000000)	1	
19	206562	CONTACT PIN	2	
20	230170	SUPPRESSOR WIRE ASSY NPV/NHV	1	
21	219107	No6 X 5/8 INCH LONG POZI PAN PLASTITE SCREW	2	
22	219318	No6 X 1/2 INCH LONG POZI PAN PLASTITE SCREW	1	
23	219090	M4 X 8MM LONG POZI PAN SEMS SCREW	2	
24	237480	ADAPTOR MOTOR (DL1 603T)	1	
25	237089	BOTTOM MOTOR GASKET - CUP MOTOR	1	
26	237077	SWITCH HOUSING HARD-WIRED	1	
27	219009	M4 BRASS TAPPEX INSERT	1	
28	237080	NHV HARDWIRED SWITCH HOUSING COVER (BLACK)	1	
29	236033	10.0M X 1.00MM X 2 CORE CABLE (UK PLUG)	1	CONTACT NUMATIC FOR MORE DETAILS IF REQUIRED
	236034	10.0MT X 1.0MM X 2 CORE EURO PLUG	1	
30	219105	No8 X 5/8 INCH LONG POZI PAN PLASTITE SCREW	1	
31	220582	GREEN ROCKER SWITCH (WHITE PRINT) 0-1	1	
32	208955	CLIP RETAINER FERRITE BEAD (DL2 MOTOR)	2	NOT REQUIRED WITH DL1653T MOTOR
33	230097	AXIAL FERRITE BEAD	2	
34	208951	NOTCHED PCB BLANKING PLATE	1	USE ITEM 16 WITH DL1653T MOTOR
35	237675	MOTOR GASKET 2 STAGE ECO	1	
36	205840	MOTOR 600W (DL1653T) #063200462	1	
37	205740	230V 2 STAGE 600W ECO THRO FLOW FAN MOTOR (DL2603T) TCO	1	
	205640	230V 2 STAGE 800W ECO THRO FLOW FAN MOTOR (DL2803T) TCO	1	

FOR WIRING DIGRAMS PLEASE SEE DOC-21993 (REFER ONLY TO THE LATEST VERSION) OR NUMATIC WEBSITE

Numatic International Spare Parts

Model No: DRUM STYLE 1 - EXPLODED DIAGRAM

NA
DRAWING: DRW-15614 ISS:A01
23/12/2014



Numatic International Spare Parts

Model No: DRUM STYLE 1 - EXPLODED DIAGRAM

ITEM:	PART No:	Description	QTY.	COMMENTS:
1	-	180 PARALLEL DRUM	1	CONTACT NUMATIC FOR DETAILS
2	227640	2 SHOT WHEEL ASSEMBLY	2	
3	227868	WHEEL HUB FOR 2 SHOT WHEEL	2	
4	219105	No8 X 5/8 INCH LONG POZI PAN PLASTITE SCREW	2	
5	-	WHEEL TRIM	2	CONTACT NUMATIC FOR DETAILS
6	204000	40MM PU-TYRED BLACK TWIN WHEEL CASTOR	2	
7	237119	FRONT FIT BAG CONNECTOR	1	
8	-	PARALLEL SNAP FIT FACE PRINTED	1	CONTACT NUMATIC FOR DETAILS
9	-	200 DRUM	1	CONTACT NUMATIC FOR DETAILS
10	-	HENRY SNAP FIT FACE	1	CONTACT NUMATIC FOR DETAILS
11	237578	Wand Dock (Eco)	1	

COMPATIBLE FILTER BAGS - SEE DRW-15712 FOR DETAILS		
DESCRIPTION	ITEM NO.	QTY PER PACK.
NVM-1CH HEPAFLO DUST BAGS	604015	10