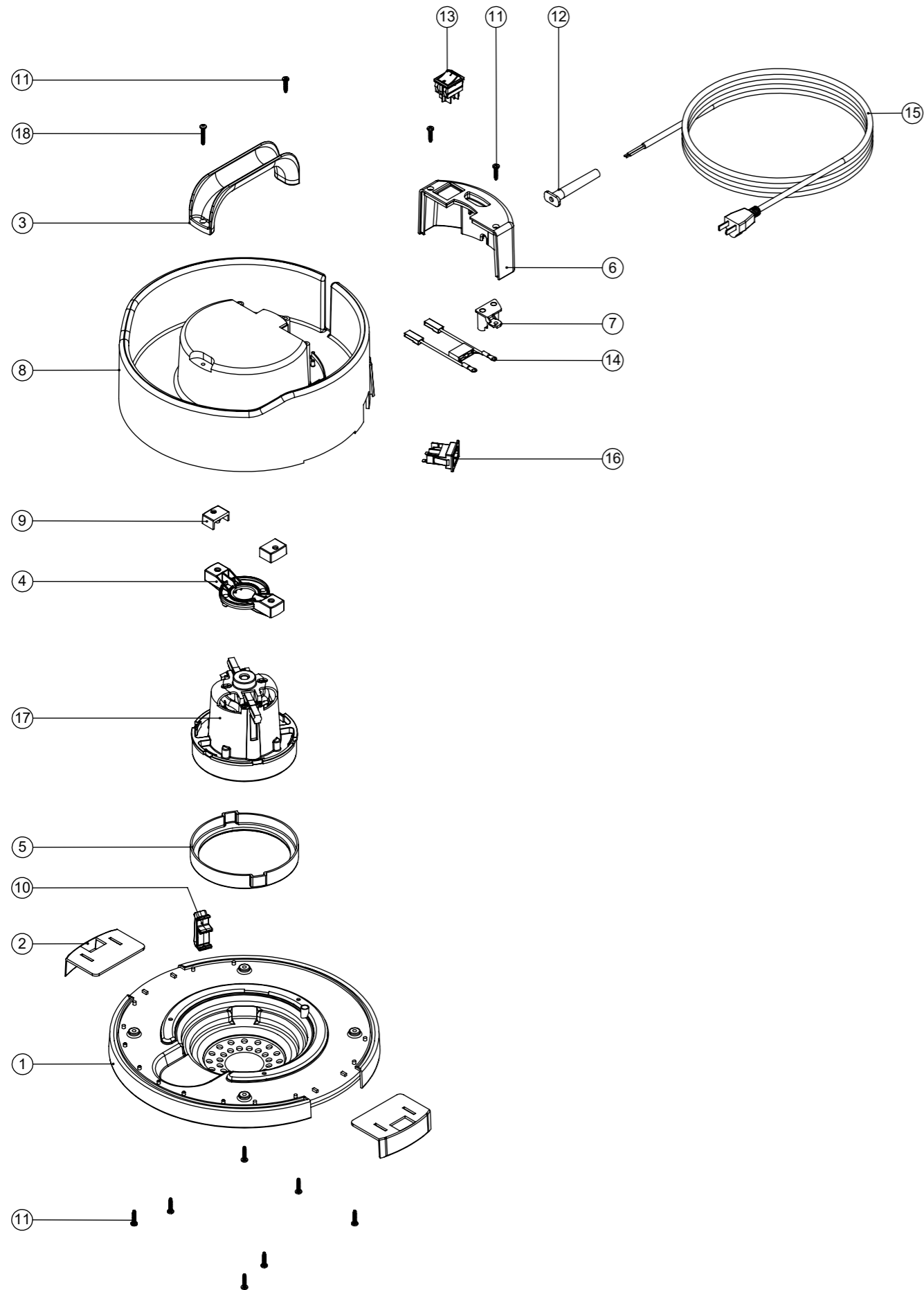


Numatic International Spare Parts

Model No: HEAD STYLE 5 ASSEMBLY 1-STAGE (120V) 1-SPEED (PTO) EXPLODED

NA
DRAWING: DRW-19036 ISS:A13.00
01/03/2017

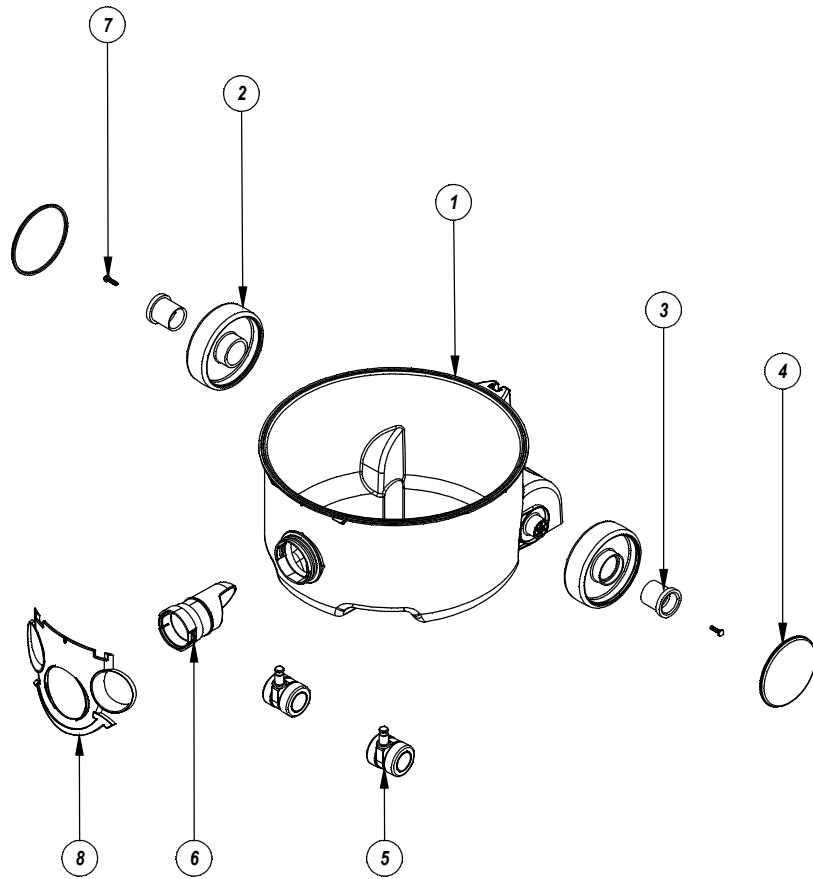
Models: NUV, NVP, NVH



Numatic International Spare Parts

Model No: HEAD STYLE 5 ASSEMBLY 1-STAGE (120V) 1-SPEED (PTO) EXPLODED

| ITEM: | PART No: | Description | QTY. | COMMENTS: |
|-------|----------|--|------|----------------------|
| 1 | 227540 | BLACK BOTTOM MOTOR HOUSING | 1 | |
| 2 | 227115 | TOGGLE | 2 | |
| 3 | 206451 | HANDLE | 1 | |
| 4 | 229513 | MOTOR PLATE CUP MOTOR AMETEC LAMB | 1 | |
| 5 | 202092 | BOTTOM MOTOR GASKET | 1 | |
| 6 | 227541 | SWITCH BOX (NUVAC PRO) BLACK | 1 | |
| | 227342 | SWITCH BOX (NUVAC PRO) GREY | 1 | |
| 7 | 325212 | TERMINAL BLOCK + INSERTS | 1 | |
| 8 | 325830 | NNV ROUND EDGE TOP (PTO CUTOUT) | 1 | |
| 9 | 227438 | RUBBER END PAD | 2 | |
| 10 | 229426 | HENRY CLIPHOLDER | 1 | |
| 11 | 219041 | No8 X 3/4 INCH LONG POZI PAN SCREW | 10 | |
| 12 | 220923 | STRESS RELIEF | 1 | |
| 13 | 220582 | GREEN ROCKER SWITCH (WHITE PRINT) 0-1 | 1 | |
| 14 | 903394 | SUPPRESSOR ASSEMBLY 0.15uF X1 310V C/W TERMINAL INSULATORS | 1 | |
| 15 | 236041 | MAINS CABLE (10.0 METRE LONG / 18AWG / 2 CORE / YELLOW CABLE / CSA PLUG) | 1 | |
| 16 | 220130 | PTO SOCKET | 1 | |
| 17 | 205413 | 120V 1 STAGE THRO FLOW CUP MOTOR (DL11101T) TCO | 1 | UNAPPROVED CSA (V71) |
| | 205291 | 120V SINGLE STAGE THRO FLOW FAN MOTOR (DL1651T) TCO (620) | 1 | APPROVED CSA (V69) |
| 18 | 219369 | No8 X 1 INCH LONG POZI PAN STAINLESS STEEL PLASTITE SCREW | 1 | |

Numatic International Spare Parts**Model No:** DRUM STYLE 21 EXPLODED DRAWINGInternal Code: N/A
DRAWING: DRW-23951 ISS:A02
PRO 18/10/2017**Numatic International Spare Parts****Model No:** DRUM STYLE 21 EXPLODED DRAWING

| POS. | ITEM NO. | DESCRIPTION | QTY. | COMMENTS |
|------|----------|---|------|-----------------------------|
| 1 | - | DRUM STYLE 21 - MOULDING | 1 | CONTACT NUMATIC FOR DETAILS |
| 2 | 227640 | 2 SHOT WHEEL ASSEMBLY | 2 | |
| 3 | 227868 | WHEEL HUB FOR 2 SHOT WHEEL | 2 | |
| 4 | - | WHEEL TRIM | 2 | CONTACT NUMATIC FOR DETAILS |
| 5 | 204000 | 40MM PU-TYRED BLACK TWIN WHEEL CASTOR | 2 | |
| 6 | 237119 | FRONT FIT BAG CONNECTOR | 1 | |
| 7 | 219105 | No8 X 5/8 INCH LONG POZI PAN PLASTITE SCREW | 2 | |
| 8 | - | PARALLEL SNAP FIT FACE PRINTED | 1 | CONTACT NUMATIC FOR DETAILS |

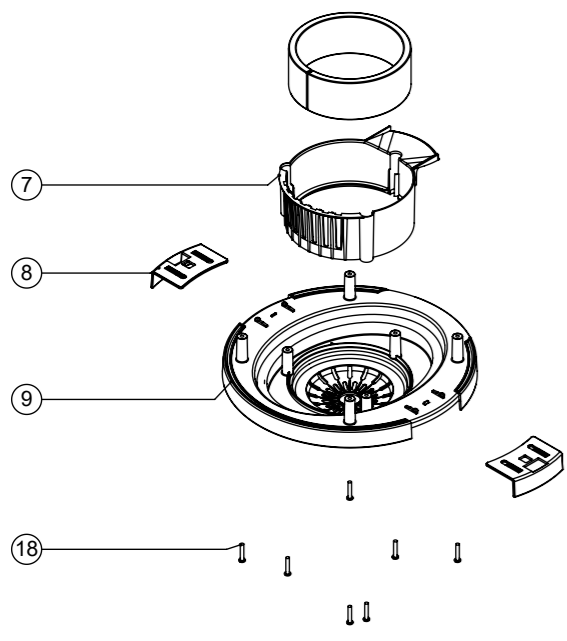
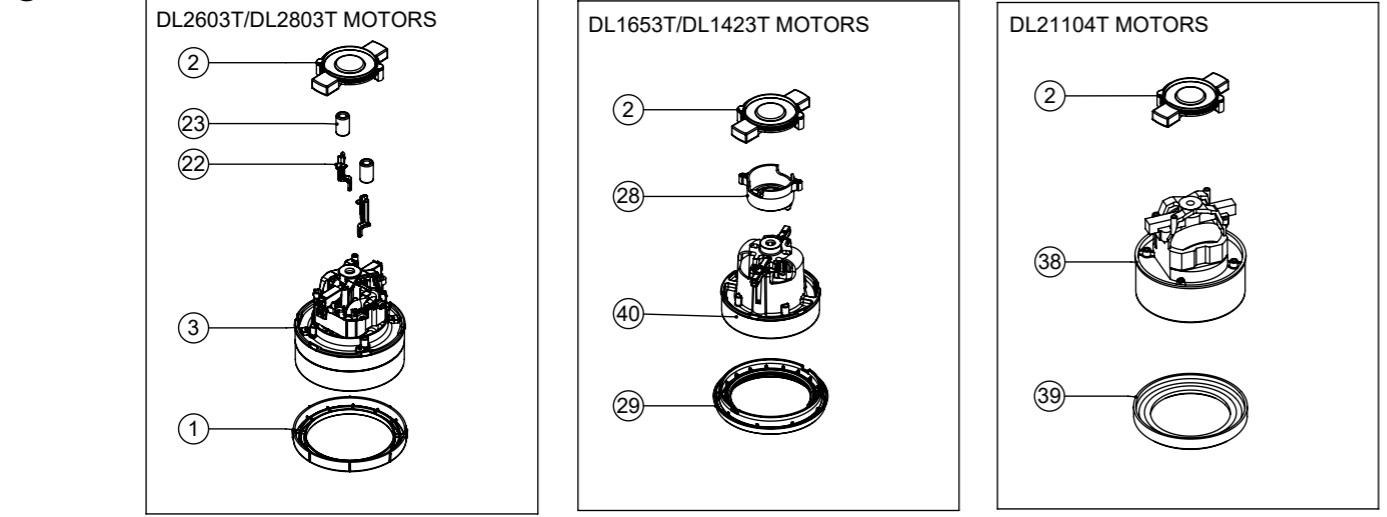
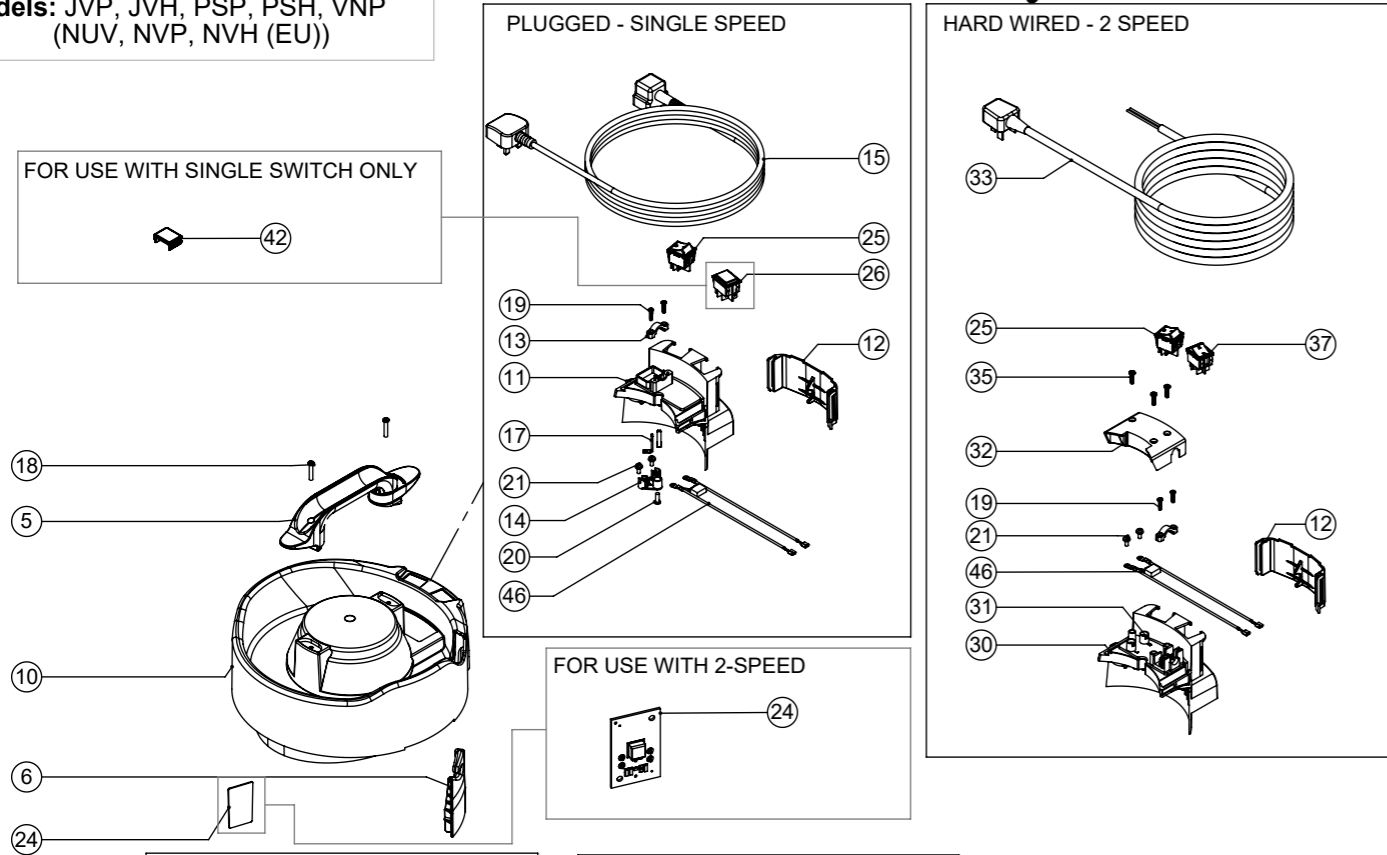
Numatic International Spare Parts

Model No: HEAD STYLE 4 ASSEMBLY 1/2 STAGE 1/2-SPEED EXPLODED

Models: JVP, JVH, PSP, PSH, VNP
(NUV, NVP, NVH (EU))

911660
DRAWING: DRW-16814 ISS:A22
05/11/201

9



Numatic International Spare Parts

Model No: HEAD STYLE 4 ASSEMBLY 1/2 STAGE 1/2-SPEED EXPLODED

| ITEM: | PART No: | Description | QTY. | Comments |
|-------|----------|---|------|----------------------------------|
| 1 | 237675 | MOTOR GASKET 2 STAGE ECO | 1 | |
| 2 | 229614 | MOTOR PLATE BI -MATERIAL | 1 | |
| 3 | 205740 | 230V 2 STAGE 600W ECO THRO FLOW FAN MOTOR (DL2603T) TCO | 1 | |
| | 205640 | 230V 2 STAGE 600W ECO THRO FLOW FAN MOTOR (DL2803T) TCO | | |
| 5 | 906074 | CABLE MANAGEMENT HANDLE | 1 | |
| 6 | 237079 | CABLE EXIT NPV/NHV | 1 | |
| 7 | 229621 | AIR GUIDE | 1 | |
| 8 | 237115 | NRV HARD EDGE TOGGLE | 2 | |
| 9 | 908879 | NRV BOTTOM MOTOR HOUSING | 1 | |
| 10 | - | TOP MOTOR HOUSING (HEAD STYLE 4) 2 SWITCH - INC. PCB | 1 | CONTACT NUMATIC FOR MORE DETAILS |
| 11 | 237076 | SWITCH HOUSING PLUGGED | 1 | |
| 12 | 229623 | SWITCH COVER | 1 | |
| 13 | 227564 | CABLE CLAMP 10A PLUGGED V83 ONLY | 1 | |
| 14 | 325912 | NPV / NHV TERMINAL BLOCK PLUS INSERTS | 1 | |
| 15 | 236009 | 10.0M X 1.00MM X 2 CORE NUCABLE (UK PLUG) | 1 | CONTACT NUMATIC FOR MORE DETAILS |
| | 236013 | 10.0MT X 1MM X 2 CORE CABLE (SOCKET + PLUG) EURO | | |
| 17 | 206562 | CONTACT PIN | 2 | |
| 18 | 291082 | #8 SCREW 1"L T20 PAN HEAD P/L THREAD FORMING | 9 | |
| 19 | 219107 | NO6.5/8 INCH LG.POZI-PAN.SCREW.Z/PL.PLASTITE | 2 | |
| 20 | 291152 | NO8.1/2 INCH LG.T20.SCREW.Z/PL.PLASTITE | 1 | |
| 21 | 291151 | M4 X 10MM LONG T20 SEMS SCREW Z/PL - PRODUCT CODE 8.8 - TX20 HEAD | 2 | |
| 22 | 208955 | CLIP RETAINER FERRITE BEAD (DL2 MOTOR) | 2 | |
| 23 | 230097 | AXIAL FERRITE BEAD 17.5 X 9.5 X 28.5 (REF 742 700 9) | 2 | |
| 24 | 208951 | PCB BLANKING PLATE | 1 | |
| 25 | 230253 | EVEREL ROCKER SWITCH | 1 | |
| 26 | 208885 | NEON INDICATOR (EVEREL, B71121G000000) | 1 | |
| 27 | 227957 | BLANKING PLATE | 1 | |
| 28 | 237480 | ADAPTOR MOTOR (DL1 603T) | 1 | |
| 29 | 237089 | BOTTOM MOTOR GASKET - CUP MOTOR | 1 | |
| 30 | 237077 | SWITCH HOUSING HARD-WIRED | 1 | |
| 31 | 219009 | M4 BRASS TAPPEX INSERT | 2 | |
| 32 | 237080 | NHV HARDWIRED SWITCH HOUSING COVER (BLACK) | 1 | |
| 33 | 236033 | 10.0M X 1.00MM X 2 CORE CABLE (UK PLUG) | 1 | CONTACT NUMATIC FOR MORE DETAILS |
| | 236034 | 10.0MT X 1.0MM X 2 CORE EURO PLUG | | |
| 35 | 219105 | No8 X 5/8 INCH LONG POZI PAN PLASTITE SCREW | 3 | |
| 36 | 237082 | BLANKING PLUG - ROCKER SWITCH | 1 | |
| 37 | 220243 | GREEN ROCKER SWITCH (BLACK PRINT) HI LO | 1 | |
| 38 | 205403 | 230V 2 STAGE THRO FLOW TAPER FAN MOTOR (DL21104T) TCO | 1 | |
| 39 | 227882 | TWO STAGE BOTTOM MOTOR GASKET (AMETEK MOTOR) | 1 | |
| 40 | 205840 | 230V SINGLE STAGE THRO FLOW FAN MOTOR (DL1 653T) TCO (620) | 1 | |
| | 901792 | 230V SINGLE STAGE THRO FLOW FAN MOTOR (DL1 423T) TCO (420) | | |
| 42 | 237082 | ROCKER SWITCH BLANKING PLATE | 1 | |
| 44 | 203020 | NVQ/NQS POD SIDE FELT (LAMB MOTOR) | 1 | |
| 45 | 324064 | NUMATIC 2 SPEED CONTROL PCB (230V) RED BOARD DRILLED 4MM | 1 | |
| 46 | 230170 | SUPPRESSOR WIRE ASSY NPV/NHV | 1 | |