

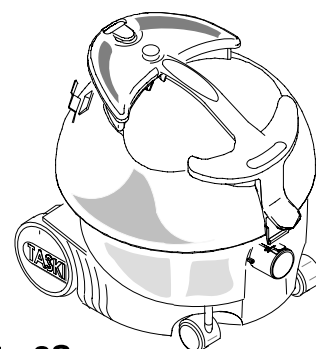


Ersatzteilliste
Liste des pièces de rechange
Spare parts list

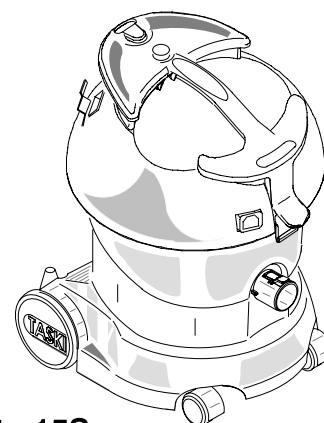
TASKI vento 8S

TASKI vento 15S

| TASKI Sauger | | | | |
|---------------------|------|-----------|-----------|-------|
| Artikel/article | | | | Serie |
| 7522820 | EURO | vento 8S | 230V/50Hz | 01 |
| 7522822 | NA | vento 8S | 120V | 01 |
| 7522824 | UK | vento 8S | 240V | 01 |
| 7522826 | CN | vento 8S | 230V | 01 |
| 7522828 | JP | vento 8S | 120V | 01 |
| 7522830 | SEV | vento 8S | 230V/50Hz | 01 |
| 7522821 | EURO | vento 15S | 230V/50Hz | 01 |
| 7522823 | NA | vento 15S | 120V | 01 |
| 7522825 | UK | vento 15S | 240V | 01 |
| 7522827 | CN | vento 15S | 230V | 01 |
| 7522829 | JP | vento 15S | 120V | 01 |
| 7522831 | SEV | vento 15S | 230V/50Hz | 01 |



TASKI vento 8S



TASKI vento 15S

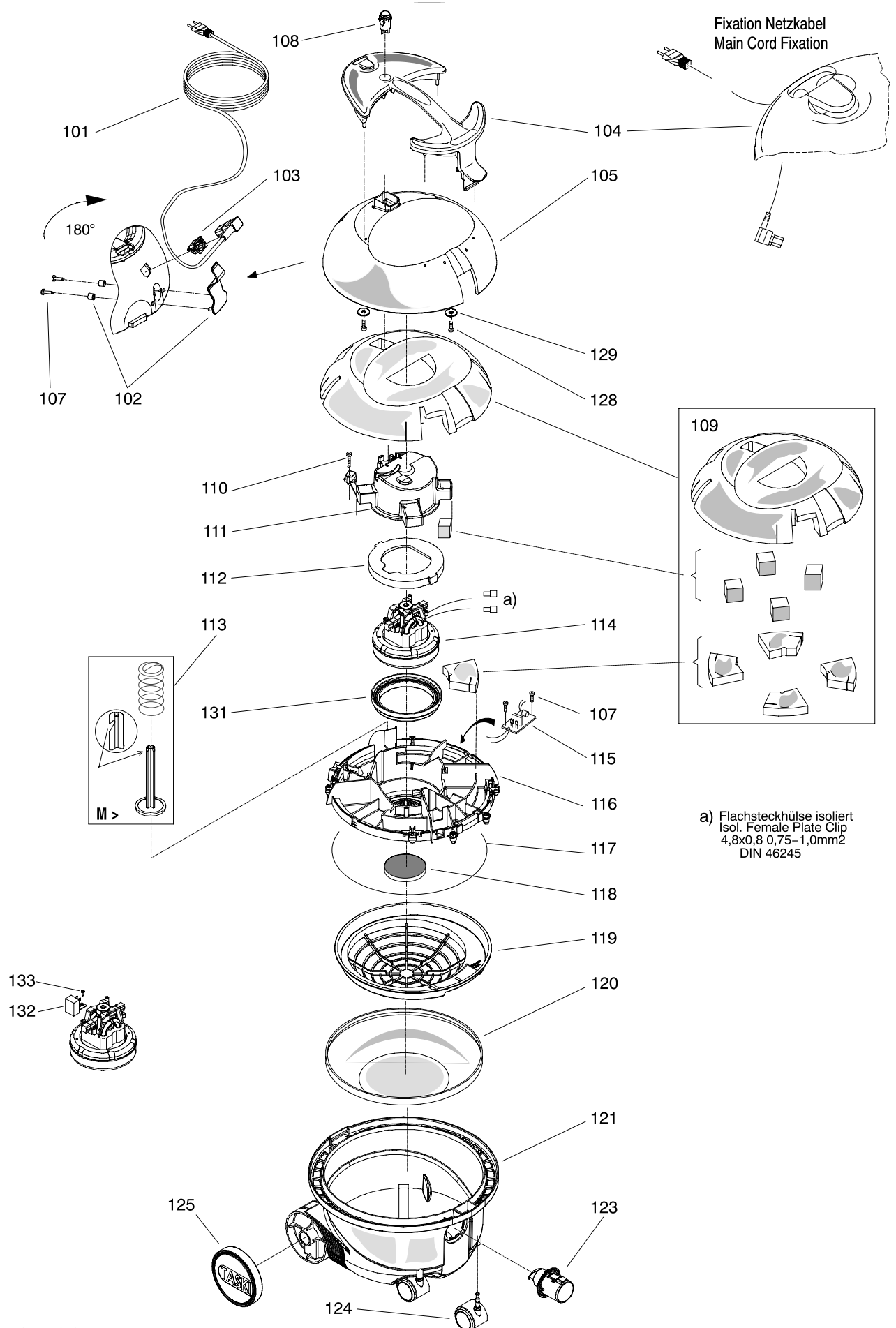


Postfach CH 9542 Münchwilen
Telefon +41 71 969 27 27 Fax +41 71 969 22 53

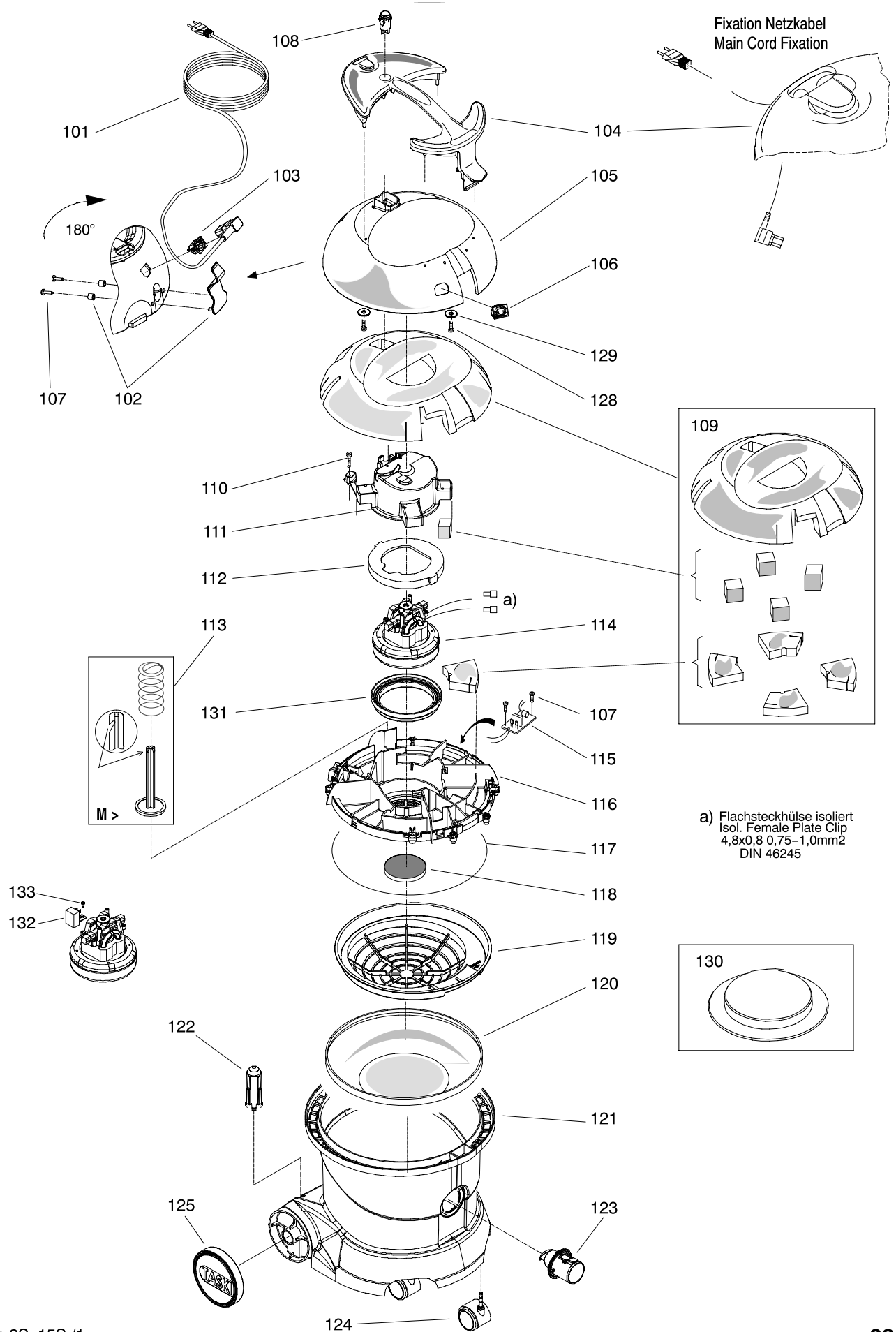
Ausführung/Execution; List(e) /1
09.07.2014 SPS

| S009015 | | | | | TASKI vento 8S & 15S | TASKI vento 8S & 15S | TASKI vento 8S & 15S |
|----------|---------------------------------|---------------------------------|-------|-----------------|----------------------|----------------------|----------------------|
| Pos. No. | Artikelnr. Article No. Item No. | Bestellnr. No. de com Order No. | Model | Stck. Piè. Qty. | Bezeichnung | Designation | Description |
| 1 | S009016 | | | 1.00 | vento 8S | vento 8S | vento 8S |
| 2 | S009020 | | | 1.00 | vento 15S | vento 15S | vento 15S |

| S009016 | | | | | vento 8S | vento 8S | vento 8S |
|----------|---------------------------------|---------------------------------|---------|-----------------|---------------------------------|--------------------------------|---------------------------------|
| Pos. No. | Artikelnr. Article No. Item No. | Bestellnr. No. de com Order No. | Model | Stck. Piè. Qty. | Bezeichnung | Designation | Description |
| 101 | 30016-68 | 4122537 | SEV | 1.00 | Anschlusskabel 2L SEV | Câble d'alimentation 2L ASE | Main cord 2L SEA |
| 101 | 30016-56 | 4122488 | EURO | 1.00 | Anschlusskabel 2L EURO | Câble d'alimentation 2L EURO | Main cord 2L EURO |
| 101 | 30019-17 | 4126078 | UK | 1.00 | Anschlusskabel 2L UK | Câble d'alimentation 2L UK | Main cord 2L UK |
| 101 | 30020-58 | 4127320 | NA / JP | 1.00 | Anschlusskabel 2L NA | Câble d'alimentation 2L CSA | Main cord 2L CSA |
| 101 | 30020-60 | | CN | 1.00 | Anschlusskabel PRC | Câble PRC | Cable PRC |
| 101 | 30020-81 | 4130855 | Option | 1.00 | Anschlusskabel 2L EURO | Câble d'alimentation 2L EURO | Main cord 2L EURO |
| 102 | 30020-47 | 4126832 | | 1.00 | Halter | Fixation | Holder |
| 103 | 4408/107 | 4122491 | | 1.00 | Gerätestecker 2L | Fiche de connecteur 2L | Plug socket 2L |
| 104 | 30020-67 | 4127985 | | 1.00 | Griff | Poignée | Handle |
| 105 | 30020-35 | 4126589 | | 1.00 | Haube | Couvercle de la machine | Hood |
| 107 | 1840/008 | 4070960 | | 4.00 | PT-Schr LK KS KA30x10 | Vis pour plastique KA30x10 | Screw for plastic KA30x10 |
| 107 | 1840/008 | 4070960 | NA / JP | 2.00 | PT-Schr LK KS KA30x10 | Vis pour plastique KA30x10 | Screw for plastic KA30x10 |
| 108 | 4503/105 | 4126997 | | 1.00 | Druckschalter | Pressostat | Pressure switch |
| 109 | 30014-53 | 4089340 | | 1.00 | Schalldämpfung Set | Kit isolation phonique | Noise absorbing set |
| 110 | 1840/014 | 4088930 | | 1.00 | PT-Schr LK KS KA50x30 | Vis pour plastique KA50x30 | Screw for plastic KA50x30 |
| 111 | 30014-03 | 4088990 | | 1.00 | Motorführung | Guidage de moteur | Motor Guiding |
| 112 | 30016-07 | 4125150 | | 1.00 | Schutzring | Anneau de protection | Protecting ring |
| 113 | 30016-23 | 4095870 | | 1.00 | Ventil Set | Kit soupape | Valve Set |
| 114 | 4679/135 | 4131197 | | 1.00 | Motorturbine 240V 50/60Hz 1000W | Turbine 240V 50/60Hz 1000W | Vacuum motor 240V 50/60Hz 1000W |
| 114 | 4679/126 | 4095920 | NA / JP | 1.00 | Motorturbine 120V 50-60Hz 1000W | Turbine 120V 50-60Hz 1000W | Vacuum motor 120V 50-60Hz 1000W |
| 115 | 30020-51 | 4126994 | | 1.00 | Elektronik | Électronique | Electronics |
| 116 | 30020-68 | 4128453 | | 1.00 | Motorgehäuse | Bâti du moteur | Motor housing |
| 117 | 30014-12 | 4089070 | | 1.00 | Dichtung | Joint | Gasket |
| 118 | 30014-61 | 4091150 | | 1.00 | Filter (10 Stück) | Filtre (10 pièces) | Filter (10 parts) |
| 119 | 30014-38 | 4089150 | | 1.00 | Filterkorb | Filtre de rechange | Filter basket |
| 120 | 30014-20 | 4089080 | | 1.00 | Filtertuch | Filtre coton | Filter cloth |
| 121 | 30020-03 | 4126602 | | 1.00 | Kessel kpl | Cuve compl | Tank compl |
| 123 | 30020-14 | 4123724 | | 1.00 | Stutzen | Manchon support d'asp. | Hose Socket |
| 124 | 2036/117 | 4094610 | | 2.00 | Lenkrolle kpl 50/2x14 | Roulette pivotante cpl 50/2x14 | Castor compl 50/2x14 |
| 125 | 30020-12 | 4123609 | | 2.00 | Rad 130/20 | Roue 130/20 | Wheel 130/20 |
| 128 | 1840/016 | 4108410 | | 7.00 | PT-Schr LK KS KA30x18 | Vis pour plastique KA30x18 | Screw for plastic KA30x18 |
| 129 | 1755/100 | 4091230 | | 7.00 | Scheibe 3,2/9x0,8 | Rondelle 3,2/9x0,8 | Washer 3,2/9x0,8 |
| 131 | 30016-08 | 4126181 | | 1.00 | Schutzring | Anneau de protection | Protecting ring |
| 132 | 4822/104 | 4080360 | JP | 1.00 | Entstörfilter 0,22µF+2x6,8µH | Filtre antiparasitage 0,22µF | Radio shielding 0,22µF+2x6,8µH |
| 133 | 1840/006 | 4025970 | JP | 1.00 | PT-Schr LK KS KA40x10 | Vis pour plastique KA40x10 | Screw for plastic KA40x10 |



| S009020 | | | | | vento 15S | vento 15S | vento 15S |
|----------|---------------------------------|---------------------------------|---------|-----------------|---------------------------------|--------------------------------|---------------------------------|
| Pos. No. | Artikelnr. Article No. Item No. | Bestellnr. No. de com Order No. | Model | Stck. Piè. Qty. | Bezeichnung | Designation | Description |
| 101 | 30016-68 | 4122537 | SEV | 1.00 | Anschlusskabel 2L SEV | Câble d'alimentation 2L ASE | Main cord 2L SEA |
| 101 | 30016-56 | 4122488 | EURO | 1.00 | Anschlusskabel 2L EURO | Câble d'alimentation 2L EURO | Main cord 2L EURO |
| 101 | 30019-17 | 4126078 | UK | 1.00 | Anschlusskabel 2L UK | Câble d'alimentation 2L UK | Main cord 2L UK |
| 101 | 30020-58 | 4127320 | NA / JP | 1.00 | Anschlusskabel 2L NA | Câble d'alimentation 2L CSA | Main cord 2L CSA |
| 101 | 30020-60 | | CN | 1.00 | Anschlusskabel PRC | Câble PRC | Cable PRC |
| 101 | 30020-81 | 4130855 | Option | 1.00 | Anschlusskabel 2L EURO | Câble d'alimentation 2L EURO | Main cord 2L EURO |
| 102 | 30020-47 | 4126832 | | 1.00 | Halter | Fixation | Holder |
| 103 | 4408/107 | 4122491 | | 1.00 | Gerätestecker 2L | Fiche de connecteur 2L | Plug socket 2L |
| 104 | 30020-67 | 4127985 | | 1.00 | Griff | Poignée | Handle |
| 105 | 30020-34 | 4126588 | | 1.00 | Haube | Couvercle de la machine | Hood |
| 105 | 30020-72 | 4130221 | NA | 1.00 | Haube | Couvercle de la machine | Hood |
| 105 | 30020-71 | 4130223 | JP | 1.00 | Haube | Couvercle de la machine | Hood |
| 106 | 4408/106 | 4122908 | | 1.00 | Gerätestecker 2L | Fiche de connecteur 2L | Plug socket 2L |
| 107 | 1840/008 | 4070960 | | 4.00 | PT-Schr LK KS KA30x10 | Vis pour plastique KA30x10 | Screw for plastic KA30x10 |
| 107 | 1840/008 | 4070960 | NA / JP | 2.00 | PT-Schr LK KS KA30x10 | Vis pour plastique KA30x10 | Screw for plastic KA30x10 |
| 108 | 4503/105 | 4126997 | | 1.00 | Druckschalter | Pressostat | Pressure switch |
| 109 | 30014-53 | 4089340 | | 1.00 | Schalldämpfung Set | Kit isolation phonique | Noise absorbing set |
| 110 | 1840/014 | 4088930 | | 1.00 | PT-Schr LK KS KA50x30 | Vis pour plastique KA50x30 | Screw for plastic KA50x30 |
| 111 | 30014-03 | 4088990 | | 1.00 | Motorführung | Guidage de moteur | Motor Guiding |
| 112 | 30016-07 | 4125150 | | 1.00 | Schutzring | Anneau de protection | Protecting ring |
| 113 | 30016-23 | 4095870 | | 1.00 | Ventil Set | Kit soupape | Valve Set |
| 114 | 4679/135 | 4131197 | | 1.00 | Motorturbine 240V 50/60Hz 1000W | Turbine 240V 50/60Hz 1000W | Vacuum motor 240V 50/60Hz 1000W |
| 114 | 4679/126 | 4095920 | NA / JP | 1.00 | Motorturbine 120V 50-60Hz 1000W | Turbine 120V 50-60Hz 1000W | Vacuum motor 120V 50-60Hz 1000W |
| 115 | 30020-51 | 4126994 | | 1.00 | Elektronik | Électronique | Electronics |
| 116 | 30020-68 | 4128453 | | 1.00 | Motorgehäuse | Bâti du moteur | Motor housing |
| 117 | 30020-88 | 4131336 | | 1.00 | Dichtung | Joint | Gasket |
| 118 | 30014-61 | 4091150 | | 1.00 | Filter (10 Stück) | Filtre (10 pièces) | Filter (10 parts) |
| 119 | 30014-38 | 4089150 | | 1.00 | Filterkorb | Filtre de rechange | Filter basket |
| 120 | 30014-20 | 4089080 | | 1.00 | Filtertuch | Filtre coton | Filter cloth |
| 121 | 30020-02 | 4126601 | | 1.00 | Kessel kpl | Cuve compl | Tank compl |
| 122 | 30020-17 | 4123865 | | 2.00 | Halter | Fixation | Holder |
| 123 | 30020-14 | 4123724 | | 1.00 | Stutzen | Manchon support d'asp. | Hose Socket |
| 124 | 2036/117 | 4094610 | | 2.00 | Lenkrolle kpl 50/2x14 | Roulette pivotante cpl 50/2x14 | Castor compl 50/2x14 |
| 125 | 30020-12 | 4123609 | | 2.00 | Rad 130/20 | Roue 130/20 | Wheel 130/20 |
| 128 | 1840/016 | 4108410 | | 7.00 | PT-Schr LK KS KA30x18 | Vis pour plastique KA30x18 | Screw for plastic KA30x18 |
| 129 | 1755/100 | 4091230 | | 7.00 | Scheibe 3,2/9x0,8 | Rondelle 3,2/9x0,8 | Washer 3,2/9x0,8 |
| 130 | 30015-07 | 4104630 | Option | 1.00 | Abdeckung | Couvercle | Cover |
| 131 | 30016-08 | 4126181 | | 1.00 | Schutzring | Anneau de protection | Protecting ring |
| 132 | 4822/104 | 4080360 | JP | 1.00 | Entstörfilter 0,22µF+2x6,8µH | Filtre antiparasitage 0,22µF | Radio shielding 0,22µF+2x6,8µH |
| 133 | 1840/006 | 4025970 | JP | 1.00 | PT-Schr LK KS KA40x10 | Vis pour plastique KA40x10 | Screw for plastic KA40x10 |



a) Flachsteckhülse isoliert
Isol. Female Plate Clip
4,8x0,8 0,75-1,0mm²
DIN 46245