

**SURFACE MOUNTED, STANDAR-ROLL
TOILET TISSUE DISPENSER (250-300m)
STAINLESS STEEL AISI 304 SATIN**

Code: **PR2783CS**

General Description

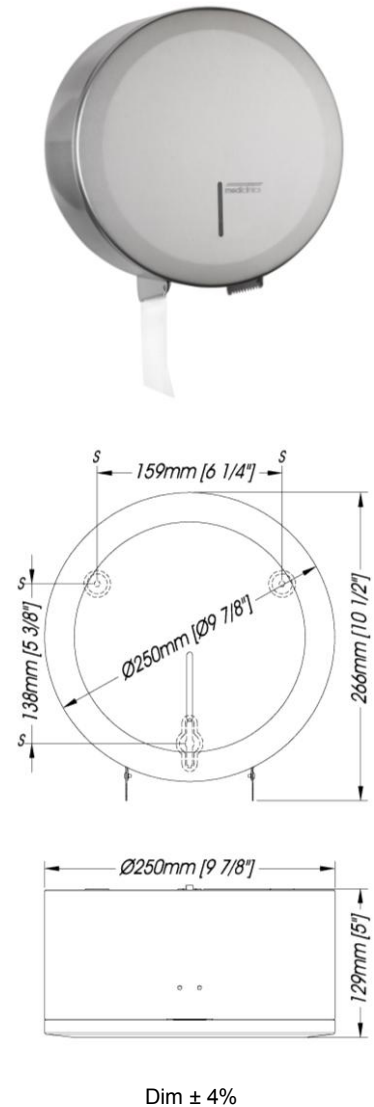
Toilet paper dispenser for industrial rolls of 250/300m, surface mounted, stainless steel AISI 304 satin finish.
Manual dispensing.
Robust and vandal-proof.
Suitable for very high traffic facilities.
Model suitable for public use.
It generally goes along with a toilet brush and waste receptacle and complemented by a warm air hand dryer.

Components & Materials

Stainless steel AISI 304 satin finish one-piece body, 0,8mm, round Ø250mm, with a catch system to prevent the opening of the lid. The supports of the screws in the back of the appliance, are acting as an anti-moisture support, as well as slots to avoid the screws damaging the toilet paper. It is mounted on the wall by means of 3 screws with their corresponding Ø6mm wall plugs (screws and wall plugs provided). It includes a lock system with standard mediclinics key, that allows opening the lid for replenishment.
PA6 plastic axis, for standard Ø45mm paper rolls tube, with inertial anti-spin retainer. The axis allows the use of a standard paper roll in case of need.
Stainless steel AISI 304 satin finish one-piece seamless lid, 0,8mm, fully sealed. Fixed to the body by means of rivets that allows swinging down of the lid for the replenishment.
Frontal window indicates refill time.

Technical Specifications

Dimensions	Ø250x129mm	Paper roll capacity	1 layer 250/300m
Max. Dimensions	266x250x129mm	Paper roll capacity	2 layers 180m
Weight (empty)	1,20 Kg	Paper roll diameter	Ø230 mm
Recommended installation height	65-75 cm to lower point	Paper roll width	Máx. 115mm
Recommended installation height for handicapped	70 cm to lower point	Paper roll tube diameter	45mm



Operation

Pull visible toilet paper, at your own convenience.

Certificates & Qualifications

ISO 9001:2008.

Specification

Surface mounted Standard-roll toilet tissue dispenser Ø250mm shall be made of stainless steel AISI 304 satin finish one-piece body, 0,8mm, round Ø250mm, with a catch system to prevent the opening of the door. The supports of the screws in the back of the appliance should act as an anti-moisture support, as well as slots to avoid the screws damaging the toilet paper. It shall be suitable to be mounted on the wall by means of 3 screws with their corresponding Ø6mm wall plugs (screws and wall plugs provided). It shall include a lock system with standard mediclinics key that allows opening the lid for replenishment. The axis shall be made of PA6 plastic for standard Ø45mm paper roll tube, with inertial anti-spin retainer. The axis shall allow the use of a standard paper roll in case of need. The lid shall be made of stainless steel AISI 304 satin finish, one-piece seamless, 0,8mm, fully sealed and fixed to the body by means of rivets that allows swinging down of the lid for the replenishment. The dispenser shall have a frontal window, which indicates refill time. Overall dimensions shall be Ø250x129mm.
Standard-roll toilet tissue dispenser Ø250mm shall be model PR2783CS, stainless steel AISI 304 satin finish, of Mediclinics