

Stand/issue: 19-07

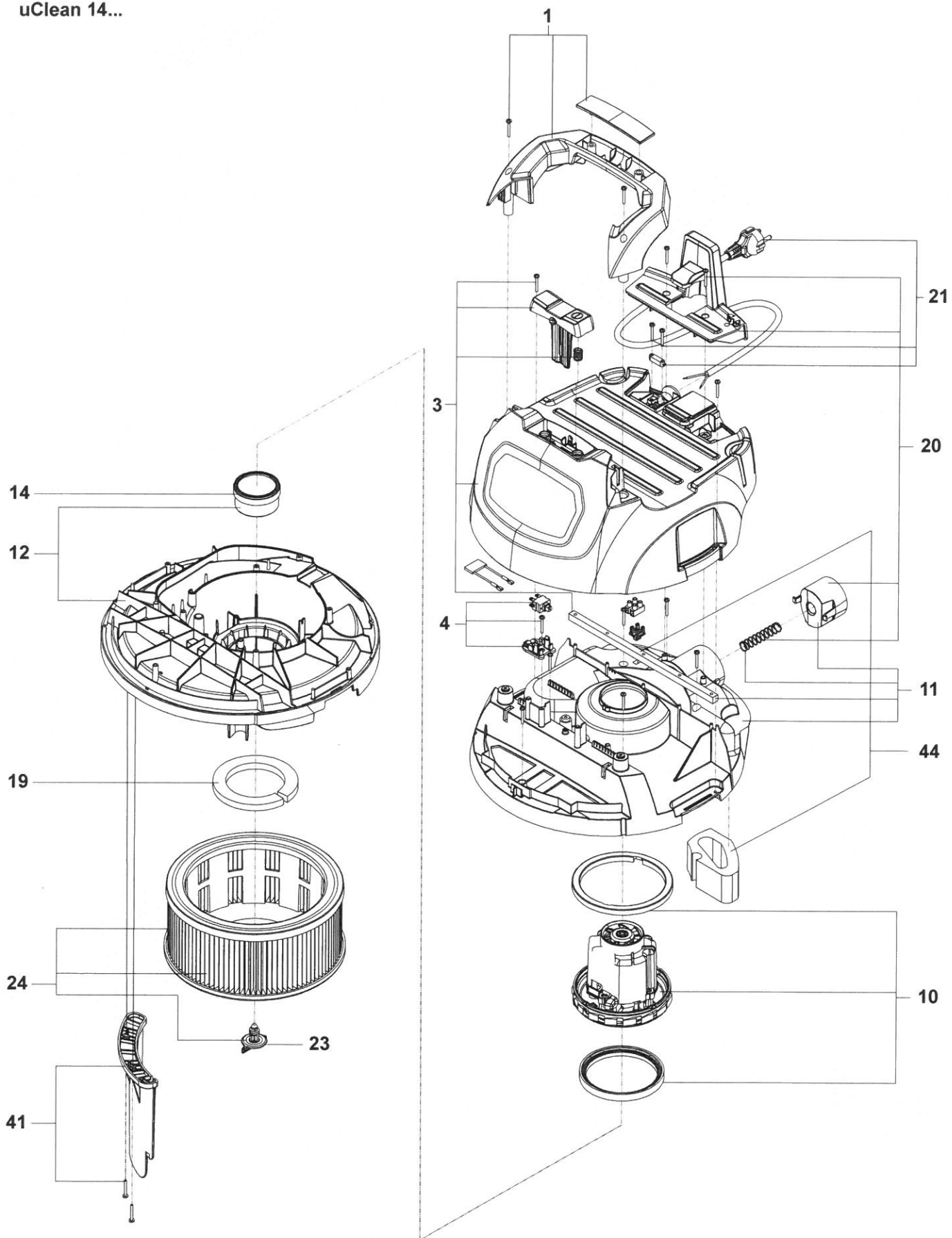
A - uClean ARDL 14 ..
B - uClean ADL 14 ..
C - uClean LD 14 ..
D - uClean 14 ..

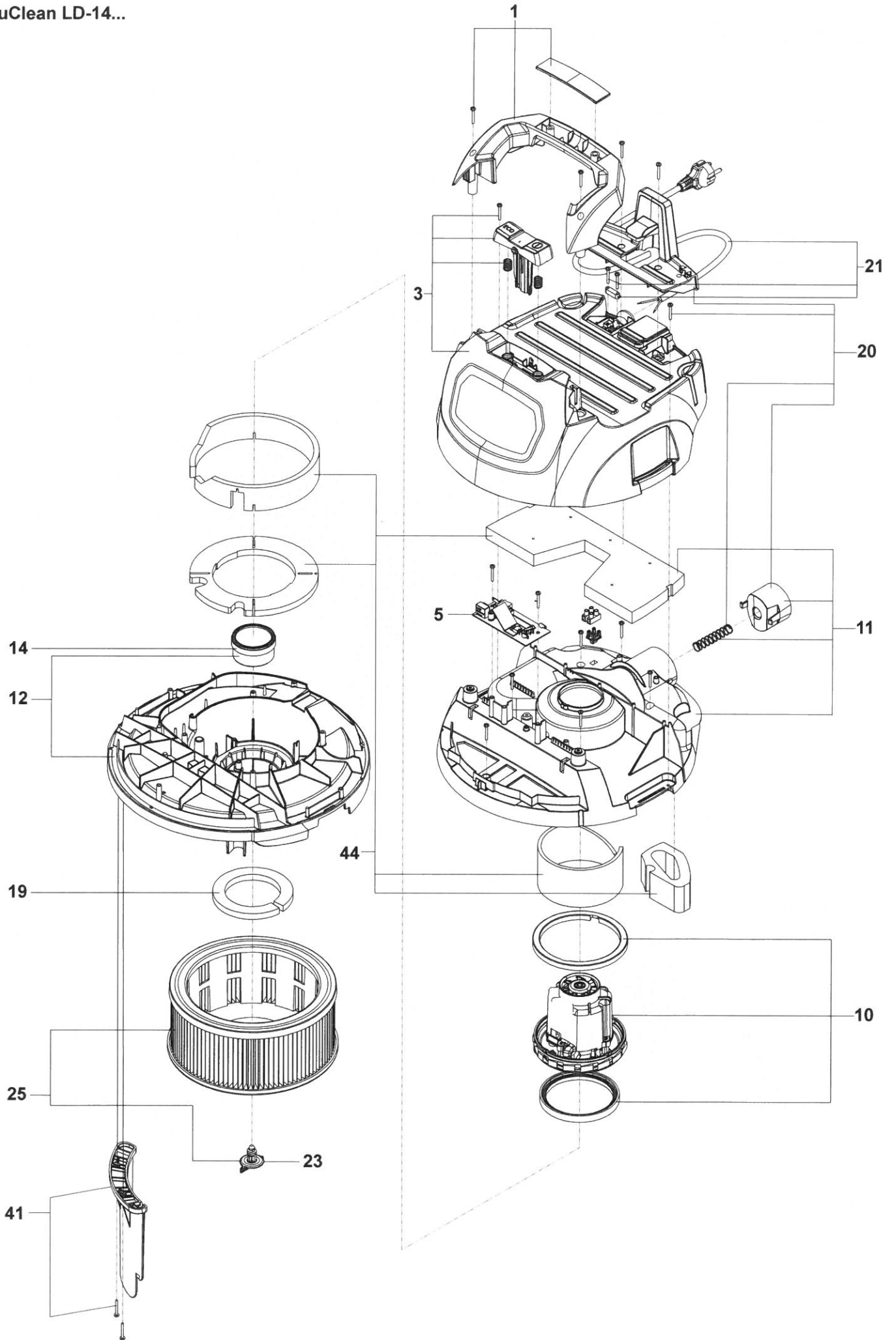
Pos.-Nr. Item-No.	Benennung Name		Bestell-Nr. Order-No.	Typ Typ	PG PG
1	Set Griff	Set grip	441023	A - D	16
2	Set Haube offen	Set hood open	441030	A - B	27
3	Set Haube geschlossen	Set hood closed	441047	C - D	27
4	Set Schalter	Set switch	441054	D	12
5	Set Elektronik LD	Set electronic LD	441061	C	23
6	Set Elektronik ADL	Set electronic ADL	441078	B	27
7	Set Elektronik ARDL	Set electronic ARDL	441085	A	28
8	Set Frontplatte	Set front plate	441092	A - B	16
9	Set Steckdose	Set socket	441108	A - B	12
10	Set Motorgebläse	Set motor blower	441115	A - D	40
11	Set Trägerplatte	Set mounting plate	441122	A - D	21
12	Set Unterteil ohne Rüttler	Set bottom part without compactor	441139	B - D	21
13	Set Unterteil mit Rüttler	Set bottom part with compactor	441146	A	21
14	Set Schwimmer	Set float	441153	A - D	11
19	Set Motorschutzfilter	Set motor protection filter	441177	A - D	10
20	Set Ventil + Schlauchhaken	Set valve + tube hook	441184	A - D	15
21	Set Anschlussleitung 12m zweiadrig	Set connecting cable 12m two-wire	444123	C - D	20
22	Set Anschlussleitung 8m dreiadrig	Set connecting cable 8m three-wire	444130	A - B	22
23	Set Gewindekupplung	Set tread coupling	441191	A - D	10
24	Faltenfilter-Patrone FP 3600	Folded filter cartridge FP 3600	411729	D	21
25	Faltenfilter-Patrone FPP 3600	Folded filter cartridge FPP 3600	415109	B - C	24
26	Faltenfilter-Patrone FPPR 3600	Folded filter cartridge FPPR 3600	413464	A	26
27	Faltenfilter-Patrone FPPR 7200	Folded filter cartridge FPPR 7200	413372	A	31
41	Set Prallblech	Set baffle plate	441269	A - D	10
44	Set Dichtungen	Set gasket	442914	A - D	16
46	Set Rüttler	Set vibrating magnet	441412	A	34
47	Set Rüttlerbrücke	Set vibrator plate	444024	A	12

A - Behälter 20L
B - Behälter 32L
C - Behälter 35L
D - Behälter 45L
E - Behälter 22L
F - Behälter 55L
G - Behälter 30L

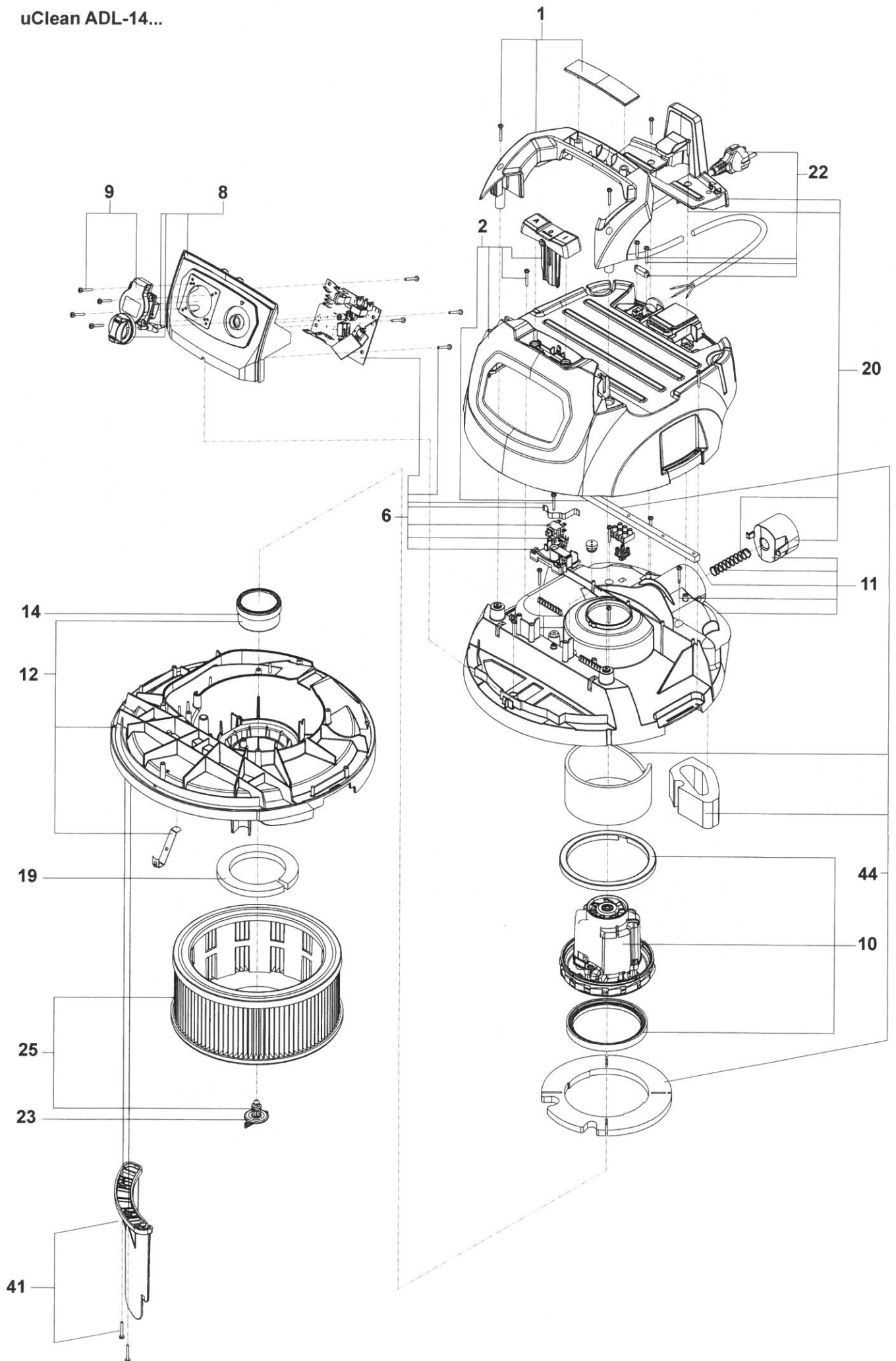
Pos.-Nr. Item-No.	Benennung Name		Bestell-Nr. Order-No.	Typ Typ	PG PG
15	Set Lenkrolle 20/32l	Set castor wheel 20/32l	440859	A + B	14
16	Set Räder 20/32l	Set wheel 20/32l	440798	A + B	16
17	Set Fußbremse	Set foot brake	441160	A + B	12
18	Set Verschlüsse 20/32l	Set locking device 20/32l	440774	A + B	9
28	Set Behälter 20l	Set container 20l	440675	A	35
29	Set Behälter 32l	Set container 32l	440712	B	36
30	Set Behälter 35l	Set container 35l	440743	C	53
31	Set Behälter 45l	Set container 45l	440750	D	42
32	Rohrhalter	Tube holder	526669	D	10
33	Set Lenkrolle 45l	Set castor wheel 45l	440897	D	18
34	Set Räder 45l	Set wheel 45l	440828	D	20
35	Set Verschlüsse 45l	Set locking device 45l	440835	D	10
36	Set Behälter 55l KFG	Set container 55l KFG	440767	F	64
37	Set Behälter 22l	Set container 22l	440705	E	52
38	Set Verschlüsse 22/30/35l	Set locking device 22/30/35l	440781	C+E+G	14
39	Set Räder 22/30/35l	Set wheel 22/30/35l	440811	C+E+G	17
40	Set Lenkrolle 22/30/35l	Set castor wheel 22/30/35l	440880	C+E+G	19
42	Set Behälter 30l	Set container 30l	441528	G	46
43	Set Behälter 55l	Set container 55l	441474	F	57
45	Set Fahrbügel	Set push handle	443386	D	31
48	Set Griff	Set grip	439358	F	15

uClean 14...

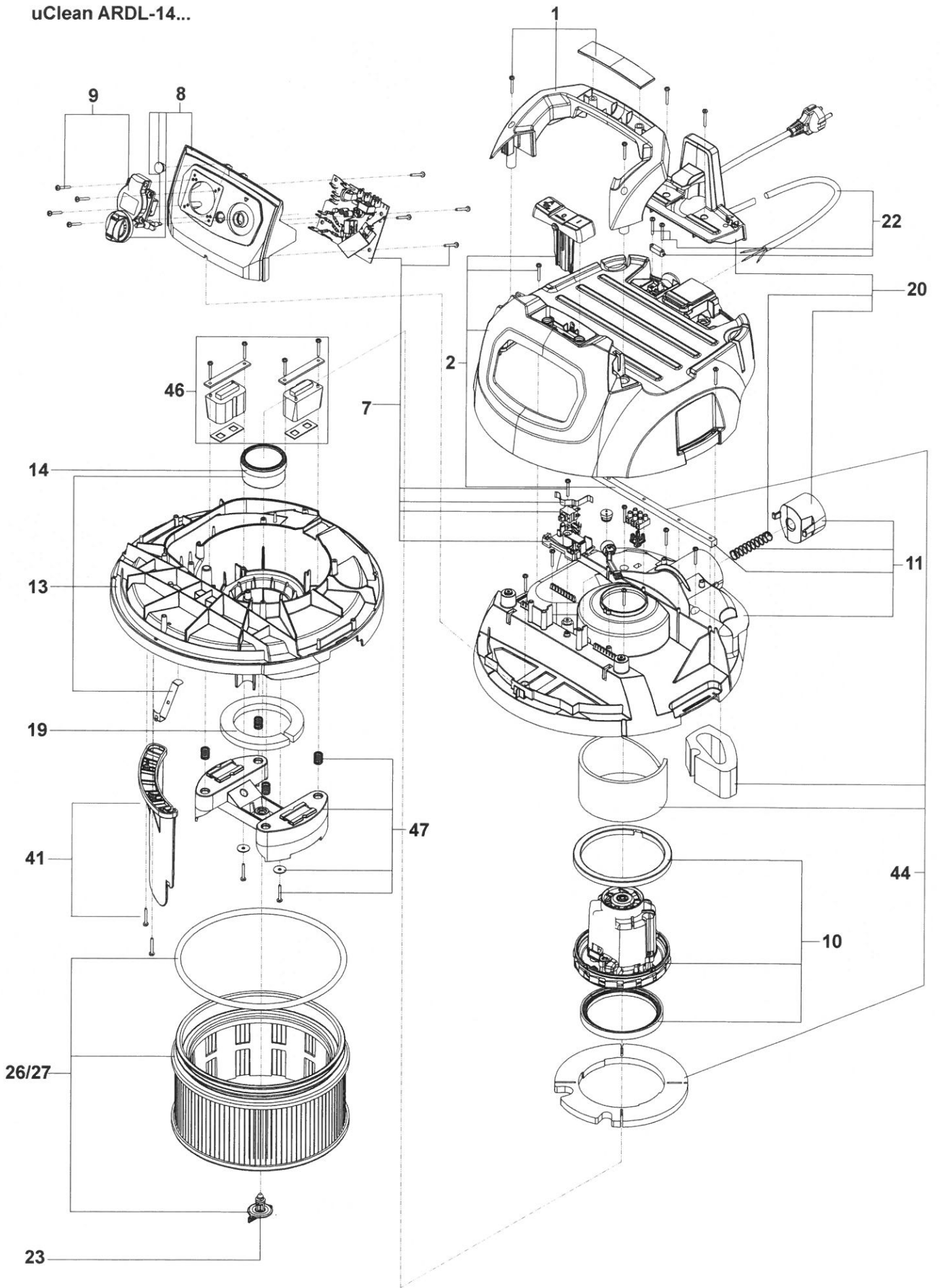




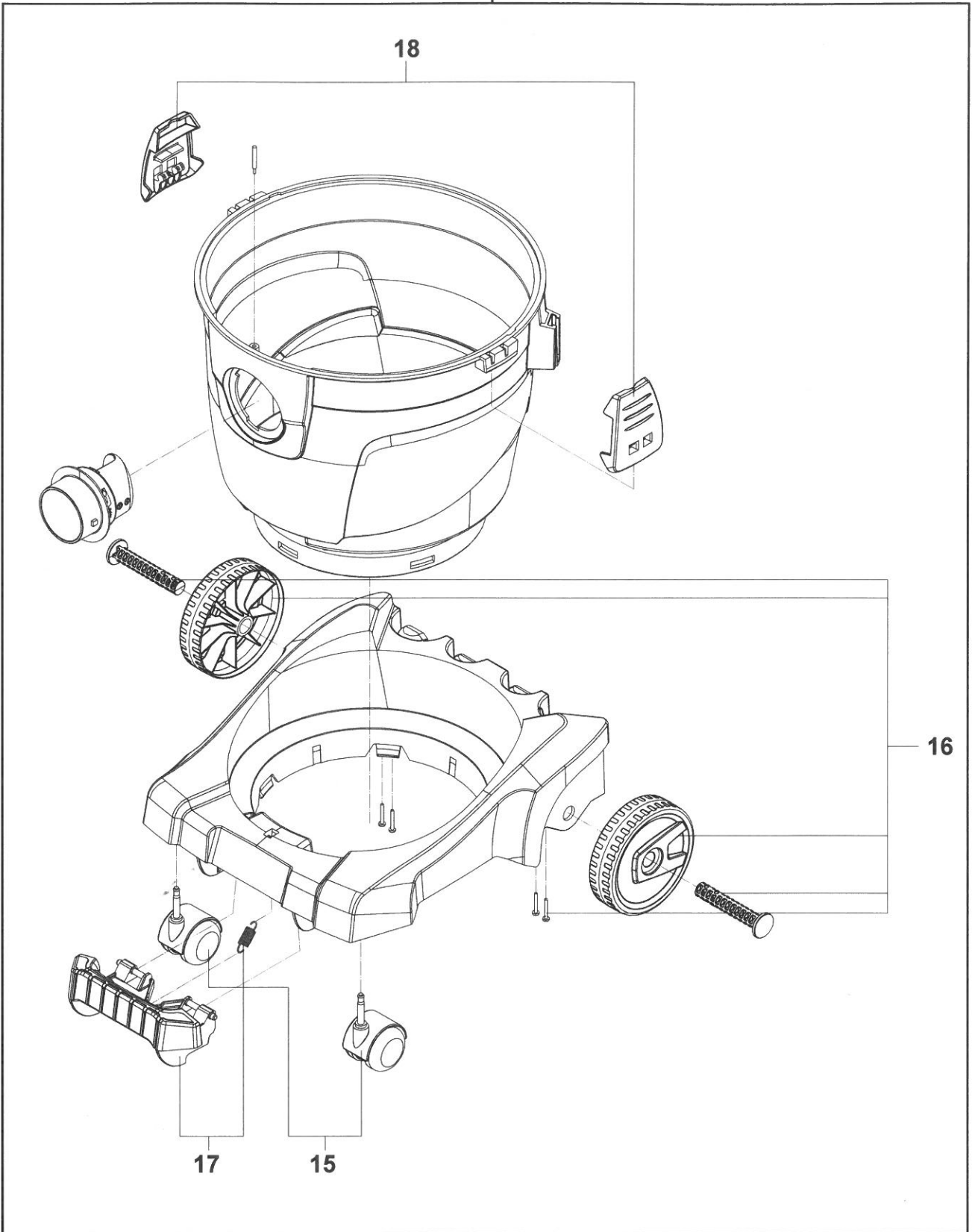
uClean ADL-14...



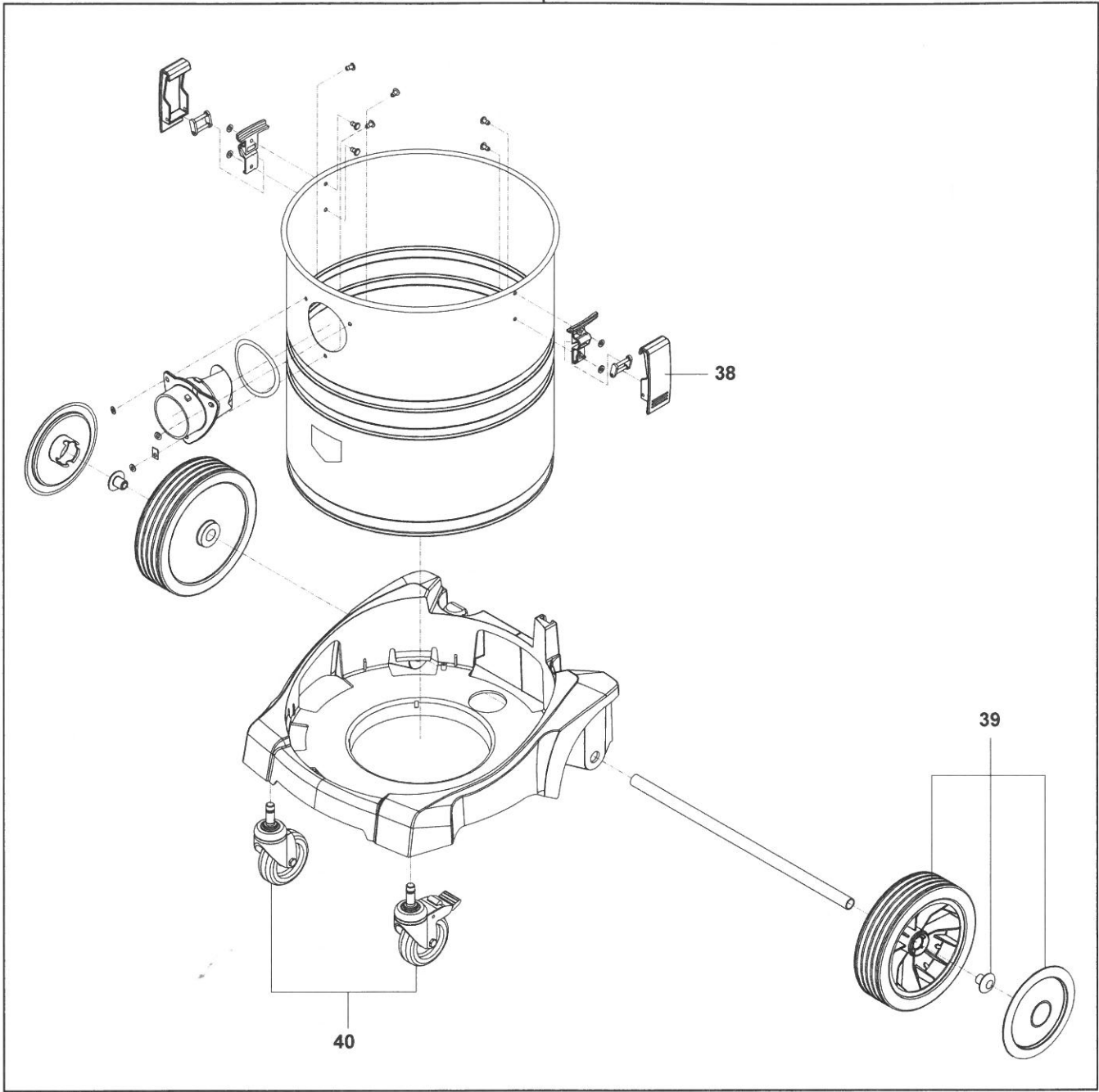
uClean ARDL-14...

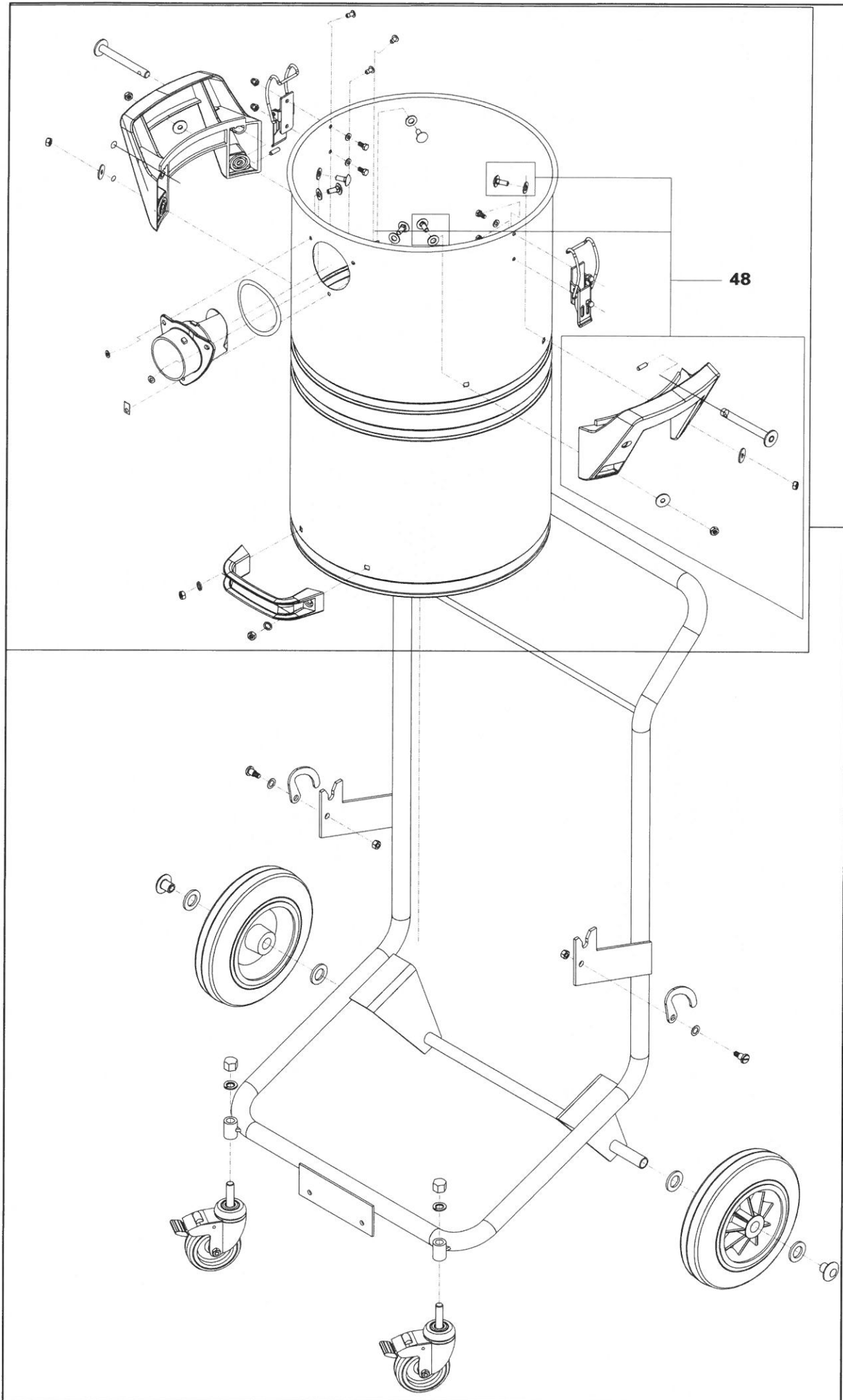


28 - 20I
29 - 32I



30 - 35L
37 - 22L
42 - 30L





48

43 -55I

36
-55I KFG